

Ultimate Inswing Door (3" Stiles)

Unit Features.....	1
Standard Divided Lite Options.....	4
Inswing Handing Configurations.....	5
Standard Unit Measurements.....	6
Standard Unit Measurement - In-Sash Transom.....	7
Certified Sizes and Ratings.....	8
Minimum and Maximum Guidelines - Doors and In-Sash Transom.....	9
Measurement Conversions.....	10
Net Clear Openings: Inswing Units.....	11
Inswing Section Details: Sill Options.....	12
Inswing Section Details: Operating.....	13
Inswing Section Details: Operating IZ3.....	14
Inswing Section Details: Operating (Tripane).....	15
Inswing Section Details: Stationary.....	16
Inswing Section Details: High Performance (HP).....	17
Inswing Section Details: Stationary IZ3.....	18
Inswing Section Details: In-Sash Transom (1 3/4 Panels).....	19
Inswing Section Details: In-Sash Transom IZ3 (1 3/4 Panels).....	20
Inswing Section Details: In-Sash Transom (Tripane).....	21
Inswing Section Details: Direct Glaze Rectangle.....	22
Inswing Section Details: Direct Glaze Rectangle IZ3.....	23
Inswing Section Details: Ultimate Sliding Screen.....	24
Inswing Section Details: Ultimate Swinging Screen.....	25
Inswing Section Details: In-Sash Transom Configurations.....	26
Inswing Section Details: Casing Options.....	27

Unit Features

Abbreviations:

UID2.25: Ultimate Inswing Door 2 1/4"

UID2.25 IZ3: Ultimate Inswing Door 2 1/4" IZ3

Frame:

- Frame thickness: 1 1/16" (27)
- Jamb Depth: 6 9/16" (167)
- Sill
 - Standard: Performance sill
 - Fiberglass reinforced pultruded sill with water shed and weep system
 - Color: Ebony
 - Optional: Accessibility Sill
 - Fiberglass reinforced pultruded sill with water shed and weep system
 - Reduced resistance to air and water infiltration, relative to Standard Performance Sill
 - Reduces standard CN height by 1/2"
 - Color: Ebony
 - Not ADA compliant as delivered.

Panel:

- Panel thickness: 2 1/4" (57)
 - Top rail heights and stile width: 3" (76)
 - Bottom rail height: 3" (76)
 - All stiles and rails use LVL core for all species
- Interior glazing profile: Square (with Square exterior glazing profile)
 - Optional interior glazing profile: Ogee (with Simulated Putty exterior glazing profile)

Hardware:

- Multi-point lock: applied to active and inactive panels, 1 3/8" (35) backset, with latch engagement and three locking points, with options of non-keyed or keyed alike.
 - Dead bolt
 - Head jamb bolt
 - Sill bolt

Handle Set:

- Minimalist handle set finish options:
 - Painted finishes: Matte Black, Dark Bronze,
 - PVD finishes: Oil-Rubbed Bronze, Satin Nickel
- Narrow Contemporary handle set finish options:
 - Painted finishes: Matte Black, Dark Bronze,
 - PVD finishes: Oil-Rubbed Bronze, Satin Nickel
- Gallery Collection Hardware
 - Bouvet
 - Rocky Mountain Hardware
 - Reference marvin.com.

Hinges:

- Adjustable hinges
 - Powder coat finish: Dark Bronze, Matte Black
 - PVD finishes: Oil Rubbed Bronze PVD, Satin Nickel PVD
 - Dimensions are 4 1/4"(108) x 3 3/4"(95) with 3/8"(10) radius corners
 - Adjustment is 3/16"(5) for horizontal and vertical of panels in frame
 - Quantity per panel
 - up to CN80 height = three hinges per panel
 - Greater than CN80 height and up to CN90 height = four hinges per panel
 - Greater than CN90 height = five hinges per panel

Unit Features**Lock Status Sensor (Optional):**

- Refer to **Lock Status Sensor Installation Instructions** for requirements.
- To achieve a closed and locked status, The Lock Status Sensor requires that the door must be closed to depress the anti-slam mechanism so that the door can be manually locked. It allows easy integration with home automation systems using a wireless connection.
 - Requires purchase of secondary transmitter for operation. Marvin will prep for this option. Wired connection not available.
- Wireless Lock Status Sensor is located within the width and height of the operating panel.
- Sensor Location will always be integrated into the locking hardware system.

Optional Screens:

- Ultimate sliding screen
 - Pull includes internal locking mechanism
 - Color: Black
 - Screen color will match exterior frame color of clad units
 - Standard screen mesh: charcoal fiberglass
 - Screen Mesh: Marvin BrightView™, Options: Charcoal Aluminum Wire, Black Aluminum Wire, Bright Aluminum Wire, Bright Bronze Wire
- Ultimate swinging screen
 - Four concealed hinges per panel are factory installed within the Z-bar
 - Handle includes latch with exterior handle and internal locking mechanism
 - Standard is contemporary exterior handle with option of traditional exterior handle
 - Colors: Bronze, Satin Nickel, Brass, or Satin Taupe
 - Screen color will match exterior frame color of clad units
 - Screen Mesh: Marvin BrightView™, Options: Charcoal Aluminum Wire, Black Aluminum Wire, Bright Aluminum Wire, Bright Bronze Wire

Unit Features**Glass and Glazing:**

- Glazing seal: Silicone glazed
- Standard glass: Insulating Dual Pane Low E2 with Argon or Air
- Dual-pane insulating glass thickness: 15/16"
- Triple-pane insulating glass thickness: 1 1/4".
- Insulating glass coatings
 - Low E1
 - Low E2
 - Low E3
 - Low ERS
 - Low ELR
- Available glass types:
 - Laminated
 - Tempered
 - Obscure
- Tints:
 - Bronze
 - Gray
 - Green
 - Reflective Bronze
- Decorative glass options:
 - Frost
 - 1/2 English Reed
 - Rain
 - Sandblasted
 - Glue Chip
- All glass is of select quality complying with ASTM C 1036. Tempered or Laminated safety glazing per CPSC 16 CFR 1201. Insulating glass is manufactured and tested to pass level ASTM 2190 and is IGCC certified.
- IZ3 product requires laminated and tempered glass
- For additional specialty glazing options, please contact your Marvin representative.

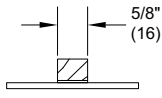
Weather Strip:

- Weather strip at all panel perimeter points
 - Color: Black

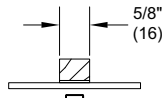
Mulling:

- For mull performance, refer to the General Mulling chapter of the ADM.

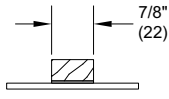
Standard Divided Lite Options



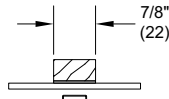
5/8" SDL



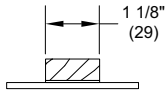
5/8" SDL
W/Spacer



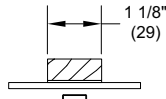
7/8" SDL



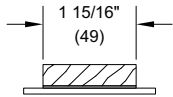
7/8" SDL
W/Spacer Bar



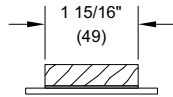
1 1/8" SDL



1 1/8" SDL
W/Spacer Bar



1 15/16" SDL

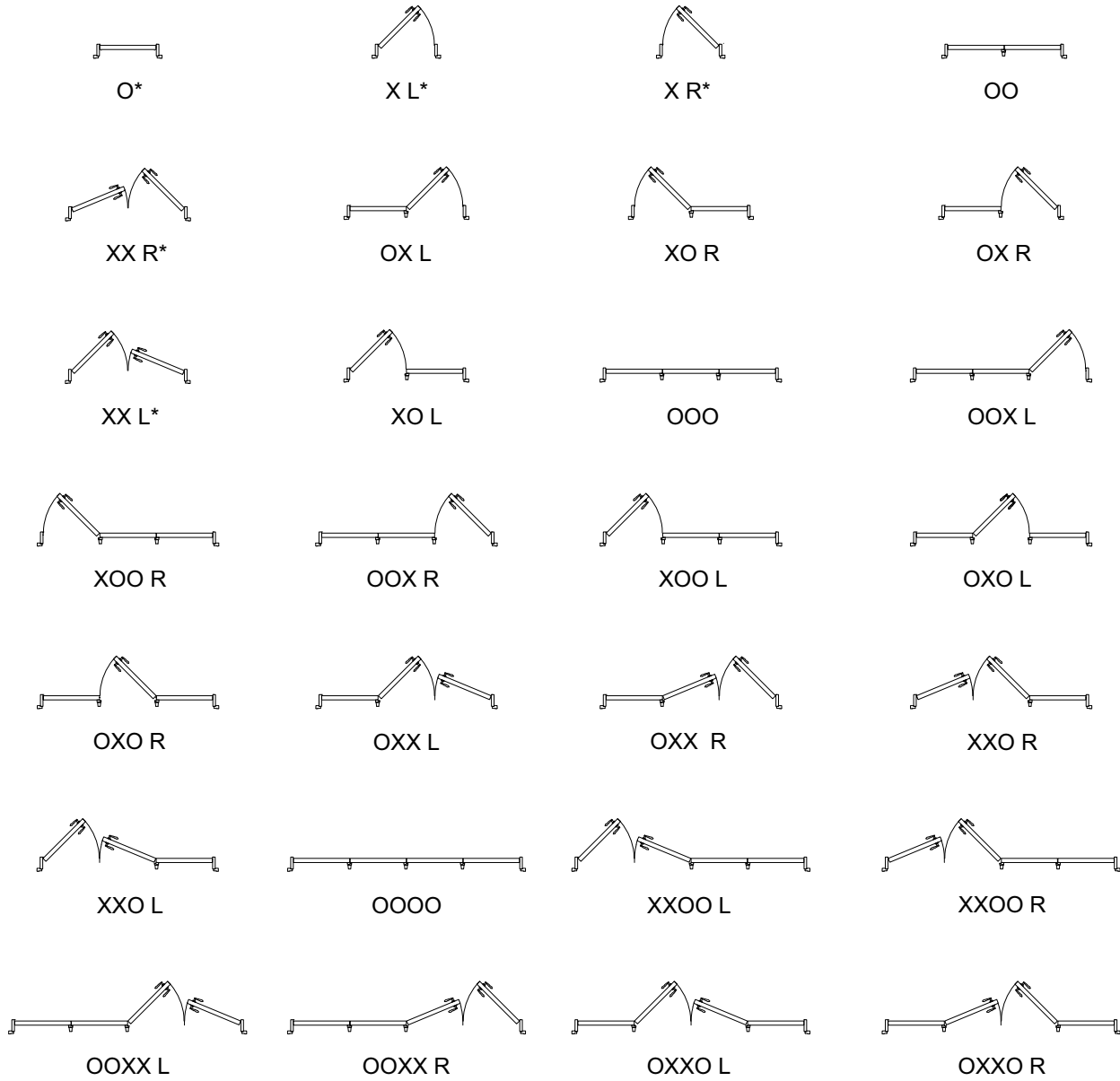


1 15/16" SDL
W/Two Spacer Bars

NOTE: Due to the inherent qualities of tempered glass, daylight gaps may be seen when using simulated divided lite bars. Daylight gaps could be visible between the internal spacer bar and surface applied bars when viewing from an acute angle to the glass on the following applications:

- Tempered glass over 72" high while using 5/8" SDL bars
- Tempered glass over 91" high while using 7/8" SDL bars.

Inswing Handing Configurations



NOTE: Configuration available with equal or unequal width panels.

* IZ3 available on O, X, and XX configurations.

Standard Unit Measurements

Standard Inswing and Outswing Unit Measurements													
Width													
Unit Type	CN	Masonry Opening		Rough Opening		Frame Size		Panel OM		Daylight Std Opening		Standard Glass Size	
		ft - in	mm	ft - in	mm	ft - in	mm	ft-in	mm	ft - in	mm	in	mm
1 Panel	1-6	1-8 11/32	(517)	1-8 27/32	(529)	1-7 27/32	(504)	1-5 15/32	(444)	0-11 1/2	(292)	12 3/4	(324)
	2-6R	2-7 1/8	(791)	2-7 5/8	(803)	2-6 5/8	(778)	2-4 1/4	(718)	1-10 9/32	(566)	23 17/32	(598)
	3-0R	3-1 1/8	(943)	3-1 5/8	(956)	3-0 5/8	(930)	2-10 1/4	(870)	2-4 9/32	(718)	29 17/32	(750)
	2-0	2-1 15/16	(659)	2-2 7/16	(672)	2-1 7/16	(646)	1-11 1/16	(586)	1-5 3/32	(434)	18 11/32	(466)
	2-6	2-7 15/16	(811)	2-8 7/16	(824)	2-7 7/16	(799)	2-5 1/16	(738)	1-11 3/32	(587)	24 11/32	(618)
	2-8	2-9 15/16	(862)	2-10 7/16	(875)	2-9 7/16	(849)	2-7 1/16	(789)	2-1 3/32	(637)	26 11/32	(669)
	3-0	3-1 15/16	(964)	3-2 7/16	(976)	3-1 7/16	(951)	2-11 1/16	(891)	2-5 3/32	(739)	30 11/32	(771)
	3-6	3-7 15/16	(1116)	3-8 7/16	(1129)	3-7 7/16	(1103)	3-5 1/16	(1043)	2-11 3/32	(891)	36 11/32	(923)
2 Panel	5-0R*	4-11 1/2	(1511)	5-0	(1524)	4-11	(1499)	2-4 1/4	(718)	1-10 9/32	(566)	23 17/32	(598)
	6-0R*	5-11 1/2	(1816)	6-0	(1829)	5-11	(1803)	2-10 1/4	(870)	2-4 9/32	(718)	29 17/32	(750)
	4-0	4-1 1/8	(1248)	4-1 5/8	(1260)	4-0 5/8	(1235)	1-11 1/16	(586)	1-5 3/32	(434)	18 11/32	(466)
	5-0	5-1 1/8	(1553)	5-1 5/8	(1565)	5-0 5/8	(1540)	2-5 1/16	(738)	1-11 3/32	(587)	24 11/32	(618)
	5-4	5-5 1/8	(1654)	5-5 5/8	(1667)	5-4 5/8	(1641)	2-7 1/16	(789)	2-1 3/32	(637)	26 11/32	(669)
	6-0	6-1 1/8	(1857)	6-1 5/8	(1870)	6-0 5/8	(1845)	2-11 1/16	(891)	2-5 3/32	(739)	30 11/32	(771)
	7-0	7-1 1/8	(2162)	7-1 5/8	(2175)	7-0 5/8	(2149)	3-5 1/16	(1043)	2-11 3/32	(891)	36 11/32	(923)
3 Panel	9-0R	8-9 7/8	(2689)	8-10 3/8	(2702)	8-9 3/8	(2677)	2-10 1/4	(870)	2-4 9/32	(718)	29 17/32	(750)
	6-0	6-0 5/16	(1837)	6-0 13/16	(1849)	5-11 13/16	(1824)	1-11 1/16	(586)	1-5 3/32	(434)	18 11/32	(466)
	7-6	7-6 5/16	(2294)	7-6 13/16	(2307)	7-5 13/16	(2281)	2-5 1/16	(738)	1-11 3/32	(587)	24 11/32	(618)
	8-0	8-0 5/16	(2446)	8-0 13/16	(2459)	7-11 13/16	(2434)	2-7 1/16	(789)	2-1 3/32	(637)	26 11/32	(669)
	9-0	9-0 5/16	(2751)	9-0 13/16	(2764)	8-11 13/16	(2738)	2-11 1/16	(891)	2-5 3/32	(739)	30 11/32	(771)
	10-6	10-6 5/16	(3208)	10-6 13/16	(3221)	10-5 13/16	(3196)	3-5 1/16	(1043)	2-11 3/32	(891)	36 11/32	(923)
4 Panel	8-0	7-11 1/2	(2426)	8-0	(2438)	7-11	(2413)	1-11 1/16	(586)	1-5 3/32	(434)	18 11/32	(466)
	10-0	9-11 1/2	(3035)	10-0	(3048)	9-11	(3023)	2-5 1/16	(738)	1-11 3/32	(587)	24 11/32	(618)
	10-8	10-7 1/2	(3239)	10-8	(3251)	10-7	(3226)	2-7 1/16	(789)	2-1 3/32	(637)	26 11/32	(324)
	12-0	11-11 1/2	(3645)	12-0	(3658)	11-11	(3632)	2-11 1/16	(891)	2-5 3/32	(739)	30 11/32	(771)
	14-0	13-11 1/2	(4255)	14-0	(4267)	13-11	(4242)	3-5 1/16	(1043)	2-11 3/32	(891)	36 11/32	(923)
Height													
Unit Type	CN	Masonry Opening		Rough Opening		Frame Size		Panel OM		Daylight Std Opening		Standard Glass Size	
		ft - in	mm	ft - in	mm	ft - in	mm	ft-in	mm	ft - in	mm	in	mm
All Configurations	6-6R	6-7 3/4	(2026)	6-8	(2032)	6-7 1/2	(2019)	6-4 39/64	(1946)	5-10 41/64	(1619)	71 61/64	(1652)
	6-8	6-10 1/4	(2089)	6-10 1/2	(2096)	6-10	(2083)	6-7 7/64	(2009)	6-1 9/64	(1682)	74 29/64	(1716)
	7-0	7-2 1/4	(2191)	7-2 1/2	(2197)	7-2	(2184)	6-11 7/64	(2111)	6-5 9/64	(1784)	78 29/64	(1817)
	8-0	8-2 1/4	(2496)	8-2 1/2	(2502)	8-2	(2489)	7-11 7/64	(2416)	7-5 9/64	(2089)	90 29/64	(2122)
	9-0	9-2 1/4	(2800)	9-2 1/2	(2807)	9-2	(2794)	8-11 7/64	(2721)	8-5 9/64	(2394)	102 29/64	(2427)
	10-0	10-2 1/4	(3105)	10-2 1/2	(3112)	10-2	(3099)	9-11 7/64	(3025)	9-5 9/64	(2698)	114 29/64	(2732)

Standard Unit Measurement - In-Sash Transom

Standard Ultimate Inswing/Outswing Door In-Sash Transom Unit Measurements													
Width													
Unit Type	Call Number	Masonry Opening		Rough Opening		Frame Size		Sash OM		Daylight Opening		Glass Size	
		ft - in	mm	ft - in	mm	ft - in	mm	ft-in	mm	ft - in	mm	ft - in	mm
1 Sash 1 Frame	1-6	1-8 11/32	(517)	1-8 27/32	(529)	1-7 27/32	(504)	1-5 15/32	(444)	0-11 1/2	(292)	1-0 3/4	(324)
	2-0	2-1 15/16	(659)	2-2 7/16	(672)	2-1 7/16	(646)	1-11 1/16	(586)	1-5 3/32	(434)	1-6 11/32	(466)
	2-6	2-7 15/16	(811)	2-8 7/16	(824)	2-7 7/16	(799)	2-5 1/16	(738)	1-11 3/32	(587)	2-0 11/32	(618)
	2-8	2-9 15/16	(862)	2-10 7/16	(875)	2-9 7/16	(849)	2-7 1/16	(789)	2-1 3/32	(637)	2-2 11/32	(669)
	3-0	3-1 15/16	(964)	3-2 7/16	(976)	3-1 7/16	(951)	2-11 1/16	(891)	2-5 3/32	(739)	2-6 11/32	(771)
	3-6	3-7 15/16	(1116)	3-8 7/16	(1129)	3-7 7/16	(1103)	3-5 1/16	(1043)	2-11 3/32	(891)	3-0 11/32	(923)
	4-0	4-1 1/8	(1248)	4-1 5/8	(1260)	4-0 5/8	(1235)	3-10 1/4	(1175)	3-4 9/32	(1023)	3-5 17/32	(1055)
	5-0	5-1 1/8	(1553)	5-1 5/8	(1565)	5-0 5/8	(1540)	4-10 1/4	(1480)	4-4 9/32	(1328)	4-5 17/32	(1360)
	5-4	5-5 1/8	(1654)	5-5 5/8	(1667)	5-4 5/8	(1641)	5-2 1/4	(1581)	4-8 9/32	(1430)	4-9 17/32	(1461)
	6-0	6-1 1/8	(1857)	6-1 5/8	(1870)	6-0 5/8	(1845)	5-10 1/4	(1784)	5-4 9/32	(1633)	5-5 17/32	(1664)
	7-0	7-1 1/8	(2162)	7-1 5/8	(2175)	7-0 5/8	(2149)	6-10 1/4	(2089)	6-4 9/32	(1938)	6-5 17/32	(1969)
2 Sash 1 Frame	4-0	4-1 1/8	(1248)	4-1 5/8	(1260)	4-0 5/8	(1235)	1-11 1/16	(586)	1-5 3/32	(434)	1-6 11/32	(466)
	5-0	5-1 1/8	(1553)	5-1 5/8	(1565)	5-0 5/8	(1540)	2-5 1/16	(738)	1-11 3/32	(587)	2-0 11/32	(618)
	5-4	5-5 1/8	(1654)	5-5 5/8	(1667)	5-4 5/8	(1641)	2-7 1/16	(789)	2-1 3/32	(637)	2-2 11/32	(669)
	6-0	6-1 1/8	(1857)	6-1 5/8	(1870)	6-0 5/8	(1845)	2-11 1/16	(891)	2-5 3/32	(739)	2-6 11/32	(771)
	7-0	7-1 1/8	(2162)	7-1 5/8	(2175)	7-0 5/8	(2149)	3-5 1/16	(1043)	2-11 3/32	(891)	3-0 11/32	(923)
3 Sash 1 Frame	6-0	6-0 5/16	(1837)	6-0 13/16	(1849)	5-11 13/16	(1824)	1-11 1/16	(586)	1-5 3/32	(434)	1-6 11/32	(466)
	7-6	7-6 5/16	(2294)	7-6 13/16	(2307)	7-5 13/16	(2281)	2-5 1/16	(738)	1-11 3/32	(587)	2-0 11/32	(618)
	8-0	8-0 5/16	(2446)	8-0 13/16	(2459)	7-11 13/16	(2434)	2-7 1/16	(789)	2-1 3/32	(637)	2-2 11/32	(669)
	9-0	9-0 5/16	(2751)	9-0 13/16	(2764)	8-11 13/16	(2738)	2-11 1/16	(891)	2-5 3/32	(739)	2-6 11/32	(771)
	10-6	10-6 5/16	(3208)	10-6 13/16	(3221)	10-5 13/16	(3196)	3-5 1/16	(1043)	2-11 3/32	(891)	3-0 11/32	(923)
4 Sash 1 Frame	8-0	7-11 1/2	(2426)	8-0	(2438)	7-11	(2413)	1-11 1/16	(586)	1-5 3/32	(434)	1-6 11/32	(466)
	10-0	9-11 1/2	(3035)	10-0	(3048)	9-11	(3023)	2-5 1/16	(738)	1-11 3/32	(587)	2-0 11/32	(618)
	10-8	10-7 1/2	(3239)	10-8	(3251)	10-7	(3226)	2-7 1/16	(789)	2-1 3/32	(637)	2-2 11/32	(669)
	12-0	11-11 1/2	(3645)	12-0	(3658)	11-11	(3632)	2-11 1/16	(891)	2-5 3/32	(739)	2-6 11/32	(771)
	14-0	13-11 1/2	(4255)	14-0	(4267)	13-11	(4242)	3-5 1/16	(1043)	2-11 3/32	(891)	3-0 11/32	(923)
Height													
Unit Type	Call Number	Masonry Opening		Rough Opening		Frame Size		Sash OM		Daylight Opening		Glass Size	
		ft - in	mm	ft - in	mm	ft - in	mm	ft-in	mm	ft - in	mm	ft - in	mm
All Configurations	1-6	1-6 1/4	(464)	1-6 1/2	(470)	1-6	(457)	1-3 5/8	(397)	1-0 13/64	(310)	13 29/64	(342)
	2-0	2-0 1/4	(616)	2-0 1/2	(622)	2-0	(610)	1-9 5/8	(549)	1-3 5/8	(397)	19 29/64	(494)
	2-6	2-6 1/4	(768)	2-6 1/2	(775)	2-6	(762)	2-3 5/8	(702)	1-9 5/8	(549)	25 29/64	(647)

Certified Sizes and Ratings

Product	Air Tested to psf	Water Tested to psf	Structural Tested to psf	Certification Rating	Design Pressure (DP)	Overall Width		Overall Height		Applicable Configurations
						in	mm	in	mm	
Ultimate Inswing Door 2.25 12080 (OXXO)	1.57	6	60	LC-PG40	40	143	(3632)	98	(2489)	OXXO
Ultimate Inswing Door 2.25 14080 (OXXO)	1.57	4.5	45	LC-PG30	30	167	(4242)	98	(2489)	OXXO
Ultimate Inswing Door 2.25 14080 (OXXO)	1.57	4.5	45	LC-PG30	30	167	(4242)	98	(2489)	OXXO
Ultimate Inswing Door 2.25 140100 (OXXO)	1.57	4.5	45	LC-PG30	30	167	(4242)	122	(3099)	OXXO
Ultimate Inswing Door 2.25 36100 (O)	1.57	7.5	75	LC-PG50	50	43 7/16	(1103)	122	(3099)	O
Ultimate Inswing Door 2.25 36100 (X)	1.57	7.5	75	LC-PG50	50	43 7/16	(1103)	122	(3099)	X
Ultimate Inswing Door Transom 8026 (O)	1.57	6	60	LC-PG40	40	96 5/8	(2454)	30	(762)	O
Ultimate Inswing Door Transom 14026 (OOOO)	1.57	60	60	LC-PG40	40	96 5/8	(2454)	30	(762)	OOOO
Ultimate Inswing Door 2.25 HP 6080 (XX)	1.57	7.25	75	LC-PG50	65	72 5/8	(1845)	98	(2489)	XX

NOTE: 3 and 4 panel doors with more than 2 operating panels or more than 2 stationary panels are non-certified.

IZ3

Product	Air Tested to psf	Water Tested to psf	Structural Tested to psf	Certification Rating	Design Pressure (DP)	Overall Width		Overall Height		Applicable Configurations
						in	mm	in	mm	
Ultimate Inswing Door 2.25 IZ3 3680 (O)	1.57	9.75	97.5	LC-PG65	65	43 7/16	(1103)	122	(3099)	O
Ultimate Inswing Door 2.25 IZ3 6080 (XX)	1.57	9.75	97.5	LC-PG65	65	72 5/8	(1845)	98	(2489)	XX
Ultimate Inswing Door Transom IZ3 8026 (O)	1.57	9.75	97.5	LC-PG65	65	96 5/8	(2454)	30	(762)	O

Accessibility Sill

Product	Air Tested to psf	Water Tested to psf	Structural Tested to psf	Certification Rating	Design Pressure (DP)	Overall Width		Overall Height		Applicable Configurations
						in	mm	in	mm	
Ultimate Inswing Door 2.25 140100 (OXXO)	1.57	3.75	37.5	LC-PG25	25	167	(4242)	122	(3099)	OXXO
Ultimate Inswing Door 2.25 36100 (X)	1.57	4.5	45	LC-PG30	30	43 7/16	(1103)	122	(3099)	X

Minimum and Maximum Guidelines - Doors and In-Sash Transom

Ultimate Swinging Doors Minimums and Maximums									
Unit Type		Min Frame Size Unit				Max Frame Size Unit			
		Width		Height		Width		Height	
		in	mm	in	mm	in	mm	in	mm
Stationary	2 1/4" Panels	16 11/32	(415)	23 7/8	(606)	49 7/16	(1256)	122	(3099)
1 Panel Operator	2 1/4" Panels	14 19/32	(371)	70 5/16	(1786)	43 7/16	(1103)	122	(3099)
2 Panel Operator	2 1/4" Panels	33 15/16	(862)	70 5/16	(1786)	84 5/8	(2149)	122	(3099)
3 Panel Operator	2 1/4" Panels	49 25/32	(1264)	70 5/16	(1786)	125 13/16	(3196)	122	(3099)
4 Panel Operator	2 1/4" Panels	65 5/8	(1667)	70 5/16	(1786)	167	(4242)	122	(3099)

Transom Minimum and Maximums									
Unit Type		Min Frame Size Unit				Max Frame Size Unit			
		Width		Height		Width		Height	
		in	mm	in	mm	in	mm	in	mm
Transom	Factory/Field Mullled	14 19/32	(371)	11 3/8	(289)	96 5/8	(2454)	30	(762)
1 Sash 1 Frame	Stand Alone	14 19/32	(371)	11 3/8	(289)	96 5/8	(2454)	30	(762)
Door Transom	Factory/Field Mullled	18 3/32	(460)	11 3/8	(289)	96 5/8	(2454)	30	(762)
1 Sash 1 Frame	Stand Alone	18 3/32	(460)	11 3/8	(289)	96 5/8	(2454)	30	(762)
Transom	Factory/Field Mullled	33 15/16	(862)	11 3/8	(289)	84 5/8	(2149)	30	(762)
2 Sash 1 Frame	Stand Alone	33 15/16	(862)	11 3/8	(289)	191	(4851)	30	(762)
Transom	Factory/Field Mullled	49 25/32	(1264)	11 3/8	(289)	125 13/16	(3196)	30	(762)
3 Sash 1 Frame	Stand Alone	49 25/32	(1264)	11 3/8	(289)	191	(4851)	30	(762)
Transom	Factory/Field Mullled	65 5/8	(1667)	11 3/8	(289)	167	(4242)	30	(762)
4 Sash 1 Frame	Stand Alone	65 5/8	(1667)	11 3/8	(289)	191	(4851)	30	(762)

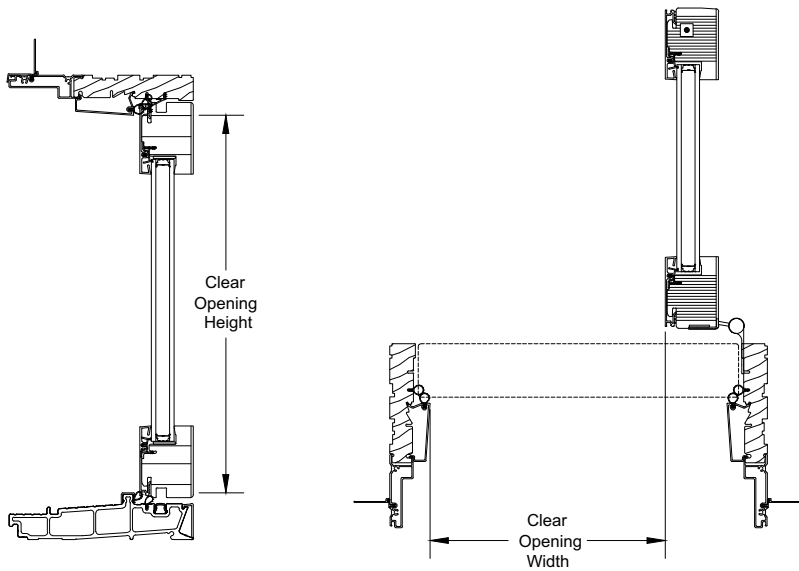
Measurement Conversions

Unit Measurements		Width			Height	
From	To					
Frame		in	mm		in	mm
OM of Frame	Rough Opening	+ 1	(25)		+ 1/2	(13)
Masonry Opening	Rough Opening	+ 1/2	(13)		+ 1/4	(06)
Masonry Opening w/BMC	Rough Opening	-2 1/8	(54)		-1 1/16	(27)
Masonry Opening w/Flat Casing	Rough Opening	-5 1/2	(140)		-2 3/4	(70)
Operating Panel		in	mm		in	mm
OM of Frame	OM of Panel (x1)	-2 3/8	(60)		-2 57/64	(73)
OM of Frame	OM of Panel (x2)	-2 1/2	(64)	÷ 2	-2 57/64	(73)
OM of Frame	OM of Panel (x3)	-2 5/8	(67)	÷ 3	-2 57/64	(73)
OM of Frame	OM of Panel (x4)	-2 3/4	(70)	÷ 4	-2 57/64	(73)
OM of Frame	OM of Sidelite	-2 3/8	(60)		-2 57/64	(73)
Daylight Opening	OM of Panel - Ultimate Inswing French Door G2	+ 9 15/32	(240)		+ 12 7/8	(327)
Daylight Opening	OM of Panel - Ultimate Inswing Door	+ 5 31/32	(152)		+ 5 31/32	(152)
Daylight Opening	OM of Sidelite	+ 5 31/32	(152)		+ 12 7/8	(327)
Glass		in	mm		in	mm
Daylight Opening	Glass	+ 1 1/4	(32)		+ 1 1/4	(32)

Direct Glaze Rectangles						
Unit Measurements		Width			Height	
From	To					
Frame		in	mm		in	mm
OM of Frame	Rough Opening	1	(25)		1/2	(13)
Masonry Opening	Rough Opening	1/2	(13)		1/4	(06)
Masonry Opening w/BMC	Rough Opening	-2 1/8	(54)		-1 1/16	(27)
Masonry Opening w/Flat Ca	Rough Opening	-5 1/2	(140)		-2 3/4	(70)
Glass		in	mm		in	mm
Rough Opening	Glass	-3 9/16	(90)		-3 1/16	(78)

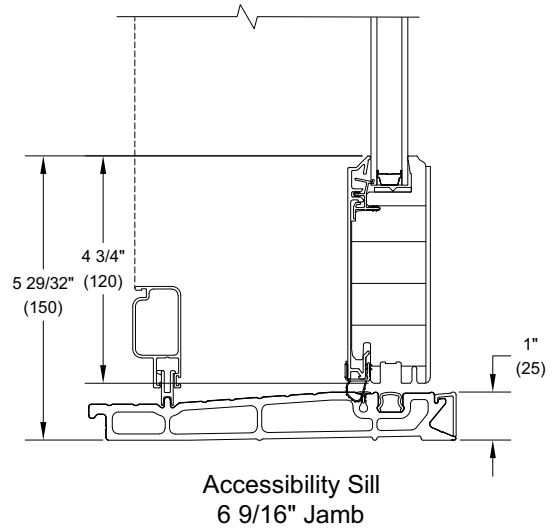
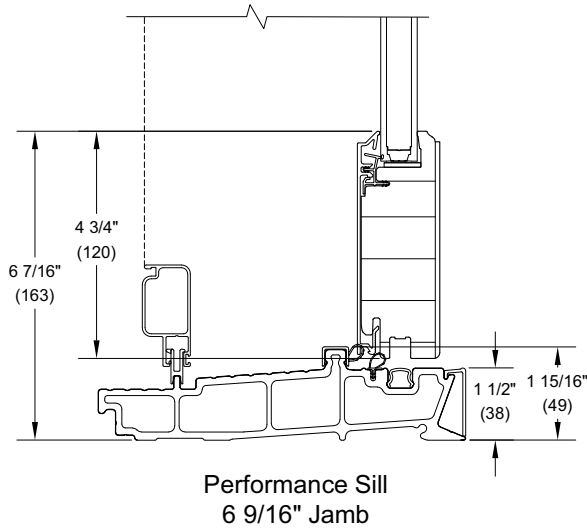
Net Clear Openings: Inswing Units

Net Clear Opening Ultimate Inswing French Door 2.25 G2 and Ultimate Inswing Door 2.25			
Width			
Unit Type	Call Number	Net Clear Openings	
		ft-in	mm
1 Panel Operator	2-6R	2-0 3/4	(629)
	3-0R	2-6 3/4	(781)
	2-0	1-7 9/16	(497)
	2-6	2-1 9/16	(649)
	2-8	2-3 9/16	(700)
	3-0	2-7 9/16	(802)
	3-6	3-1 9/16	(954)
2 Panel Operator	5-0R*	4-2 9/16	(1284)
	6-0R*	5-2 9/16	(1589)
	4-0	3-4 3/16	(1021)
	5-0	4-4 3/16	(1326)
	5-4	4-8 3/16	(1427)
	6-0	5-4 3/16	(1630)
	7-0	6-4 3/16	(1630)
Height			
Unit Type	Call Number	Net Clear Openings	
		ft - in	mm
All Configurations	6-6R	6-3 27/32	(1926)
	6-8	6-3 27/32	(1990)
	7-0	6-6 11/32	(2091)
	8-0	6-10 11/32	(2333)
	9-0	7-7 27/32	(2638)



Inswing Section Details: Sill Options

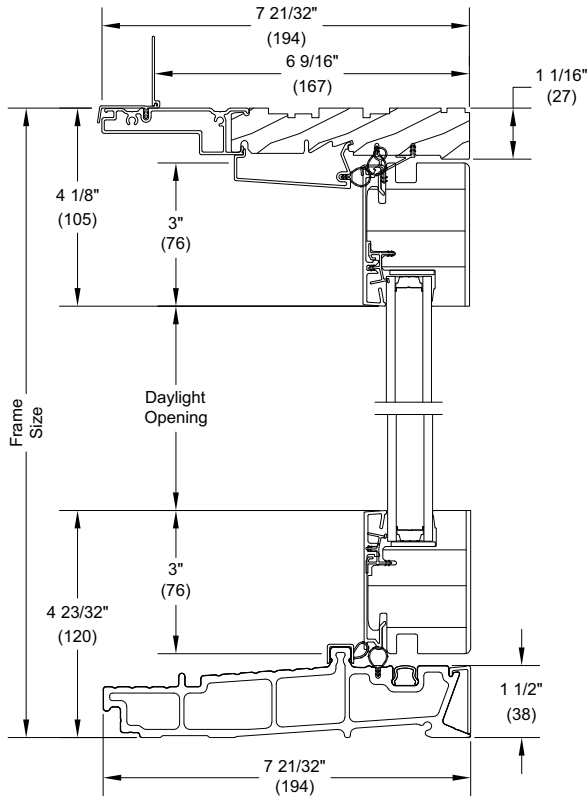
Scale: 3" = 1' 0"



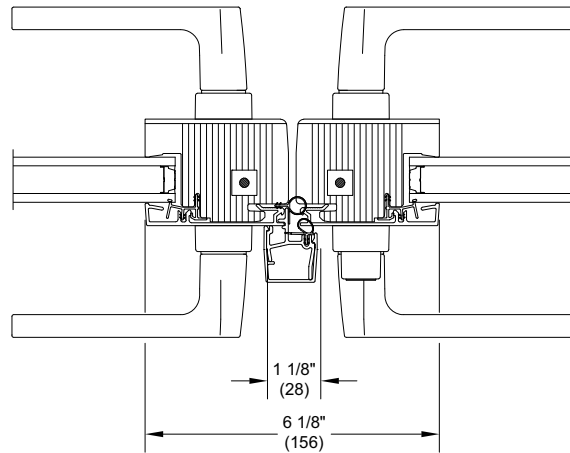
*NOTE: Following section details show the Performance Sill, however, each detail is available with the Accessibility Sill.
Accessibility sill is not ADA compliant as delivered.
Accessibility sill is not available with IZ3.*

Inswing Section Details: Operating

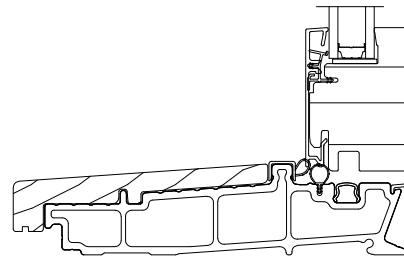
Scale: 3" = 1' 0"



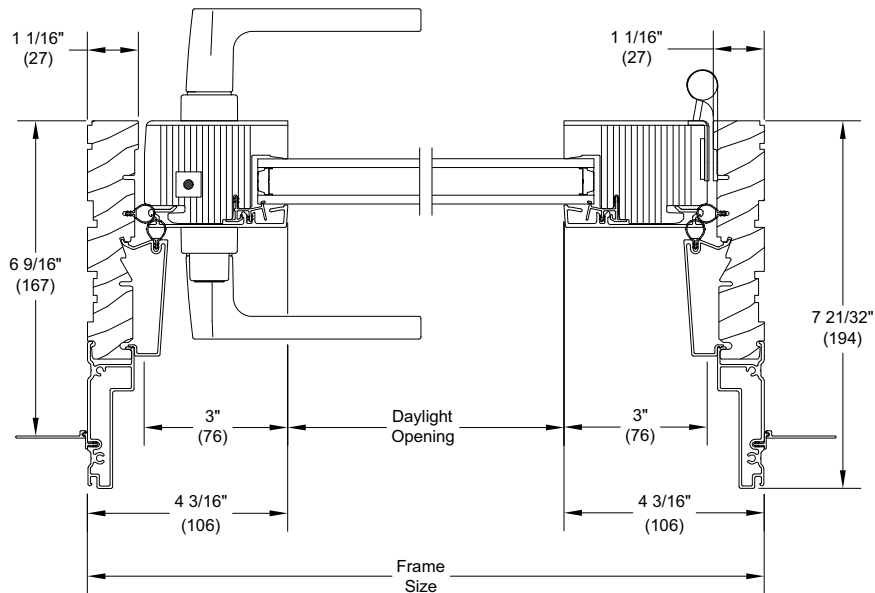
6 9/16" Head Jamb and Sill



XX R - Meeting Stiles



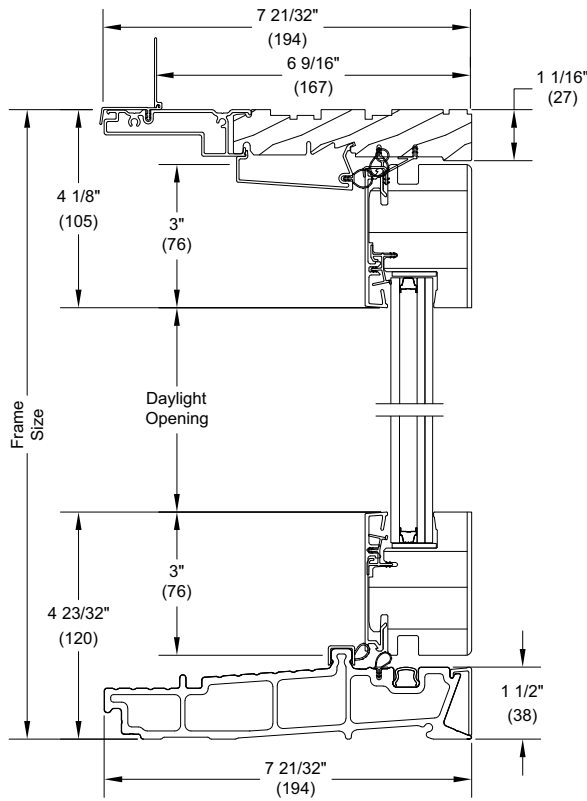
6 9/16" Sill with Sill Cover



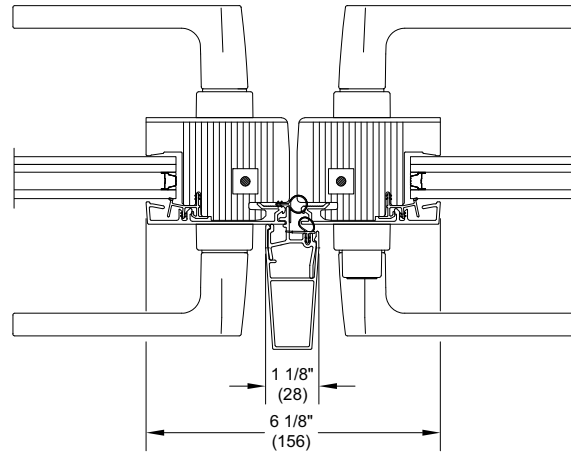
6 9/16" X R Jamb

Inswing Section Details: Operating IZ3

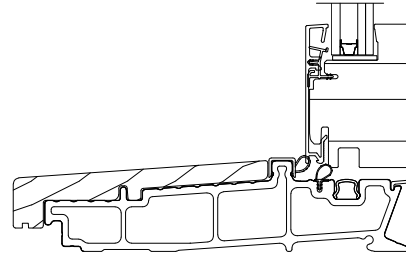
Scale: 3" = 1' 0"



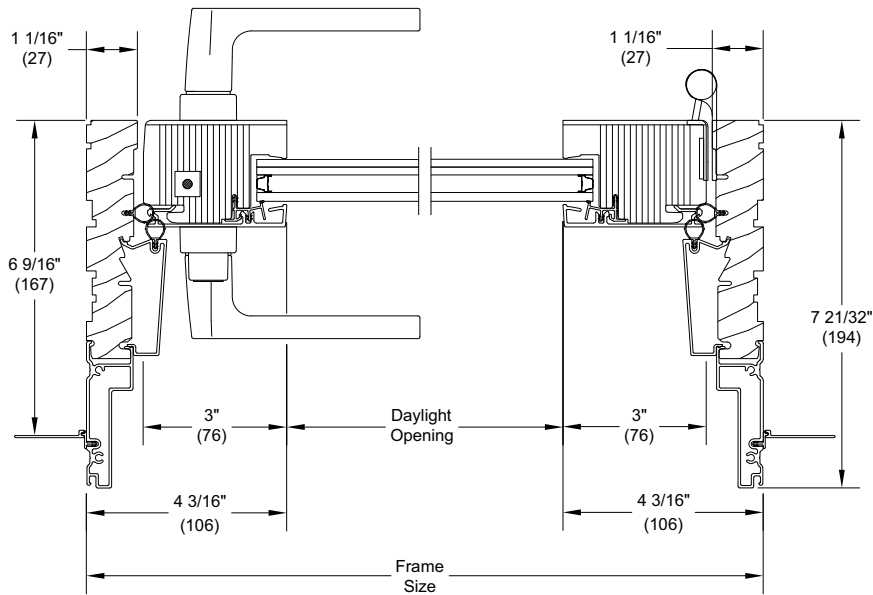
6 9/16" Head Jamb and Sill



XX R - Meeting Stiles



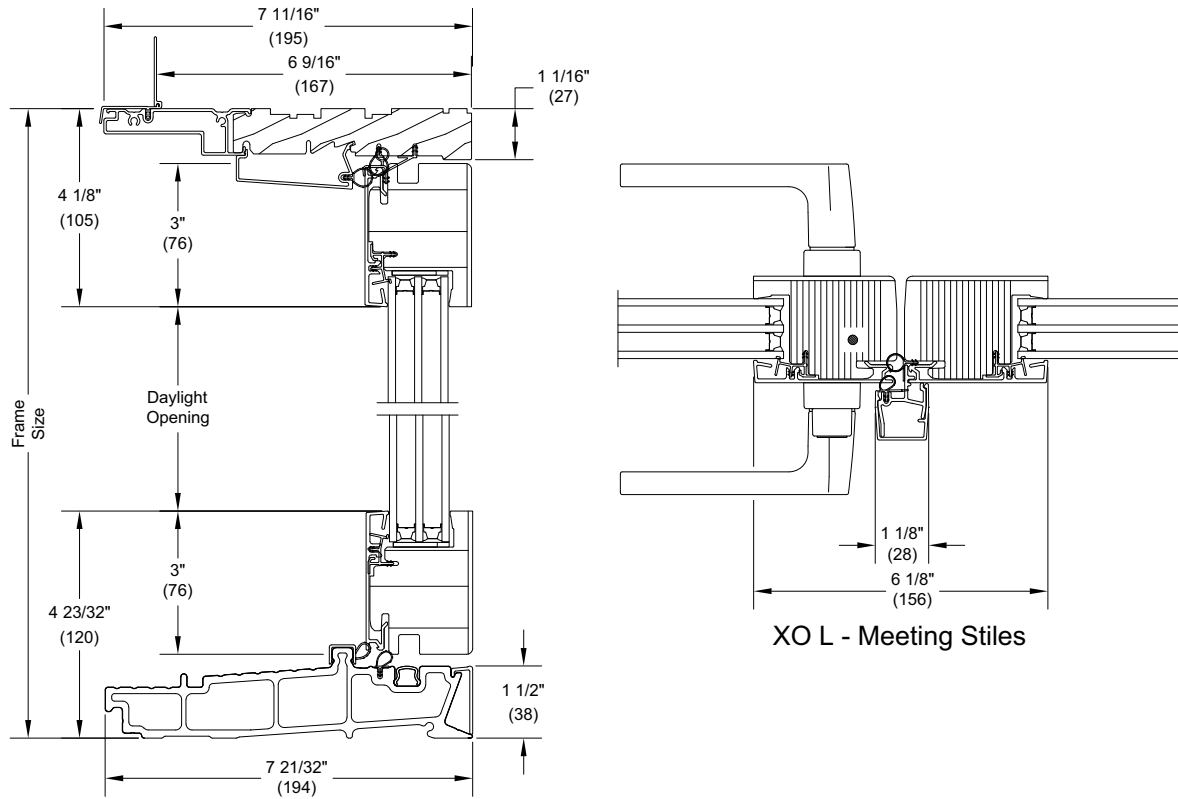
6 9/16" Sill with Sill Cover



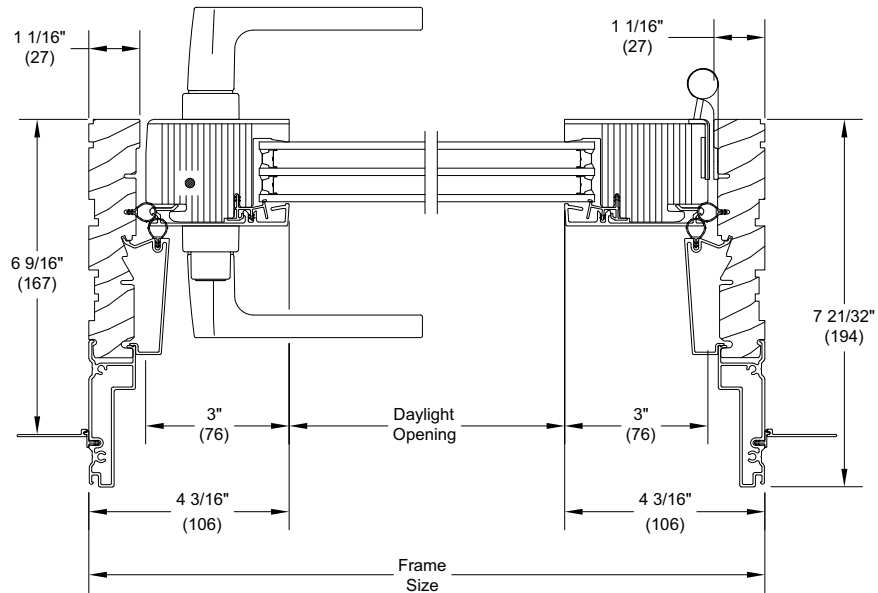
6 9/16" X R Jamb

Inswing Section Details: Operating (Tripane)

Scale: 3" = 1' 0"



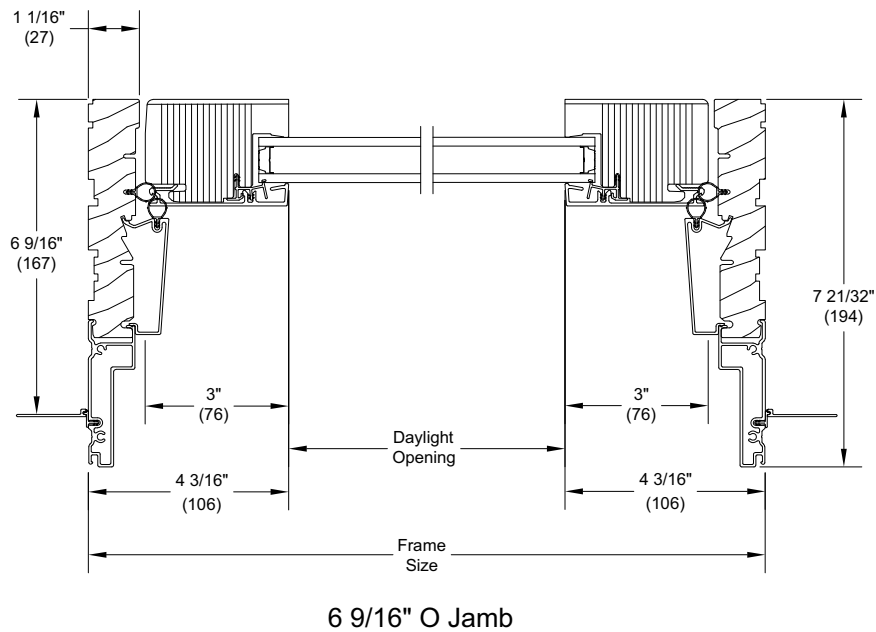
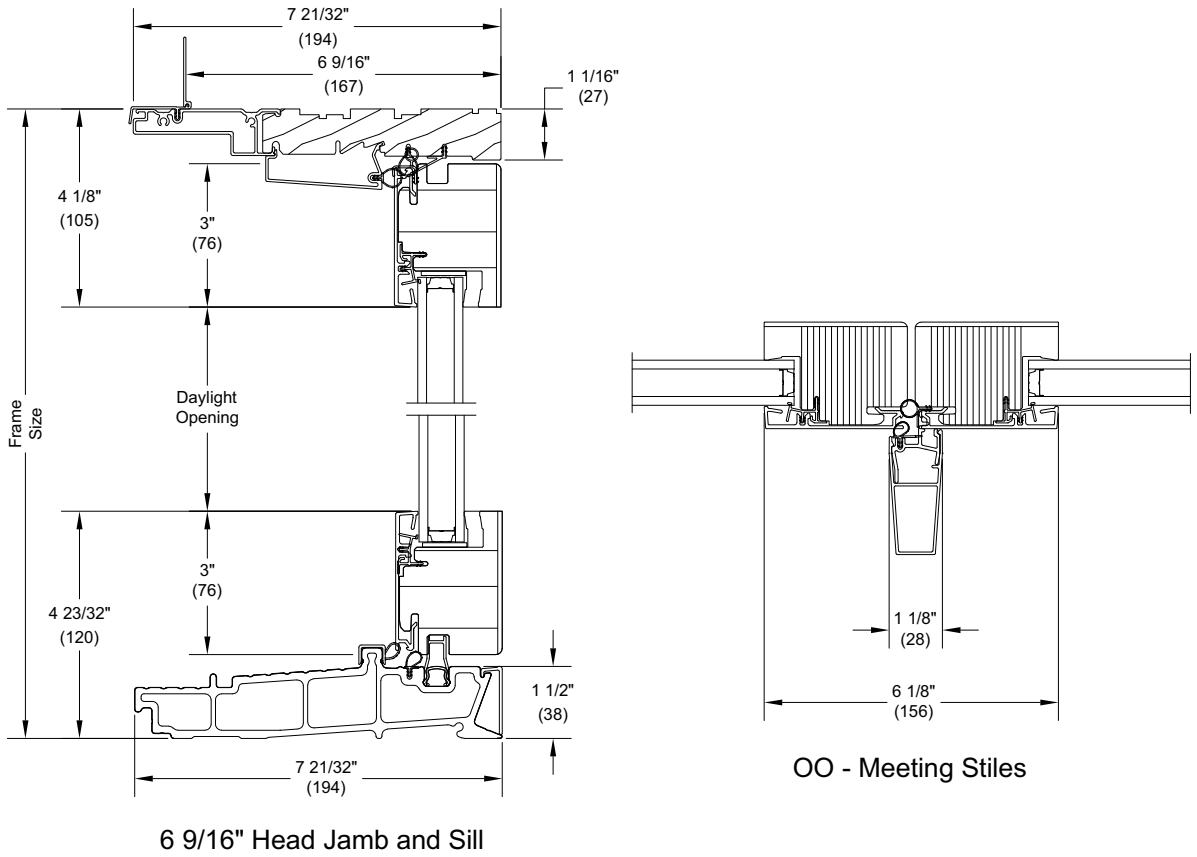
6 9/16" Head Jamb and Sill



6 9/16" X R Jamb

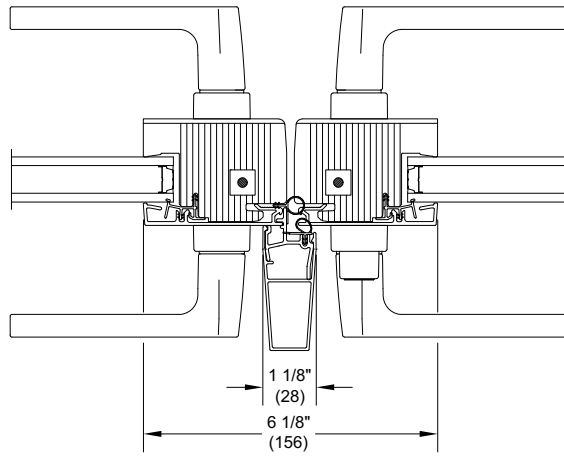
Inswing Section Details: Stationary

Scale: 3" = 1' 0"



Inswing Section Details: High Performance (HP)

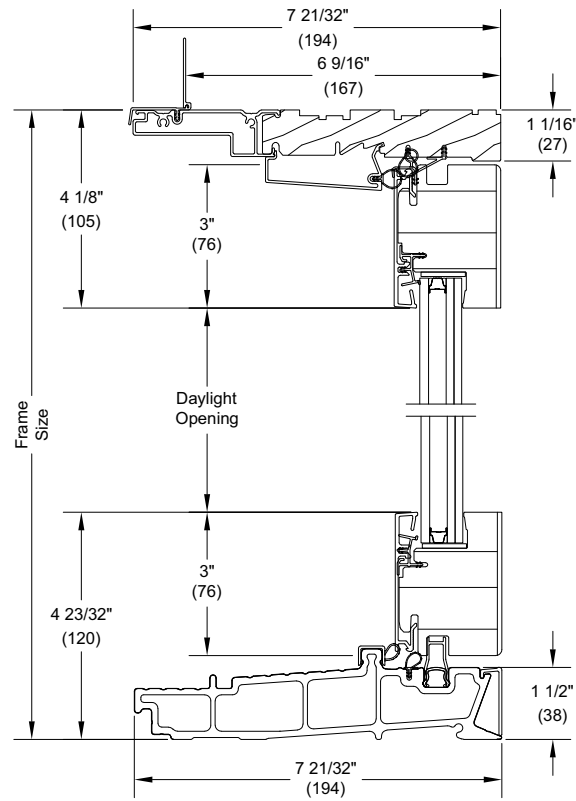
Scale: 3" = 1' 0"



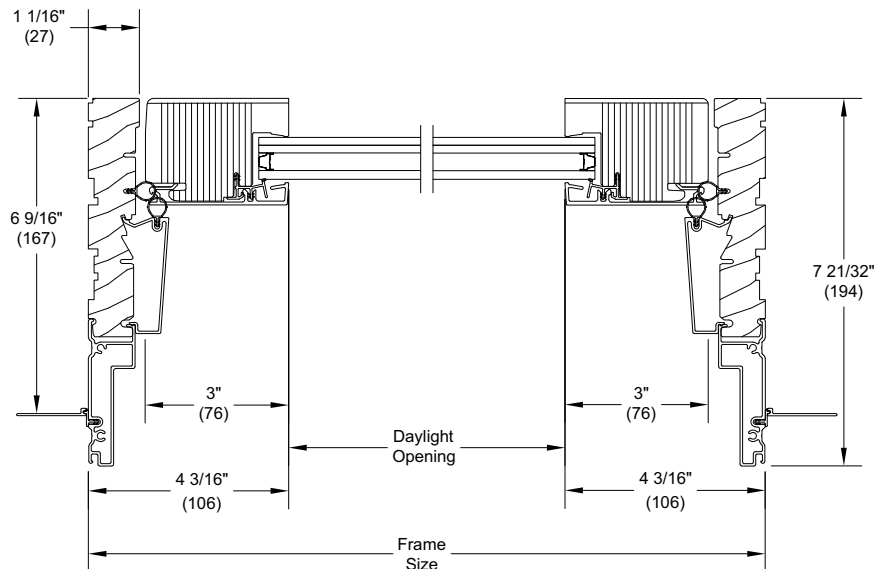
XX R - Meeting Stiles

Inswing Section Details: Stationary IZ3

Scale: 3" = 1' 0"



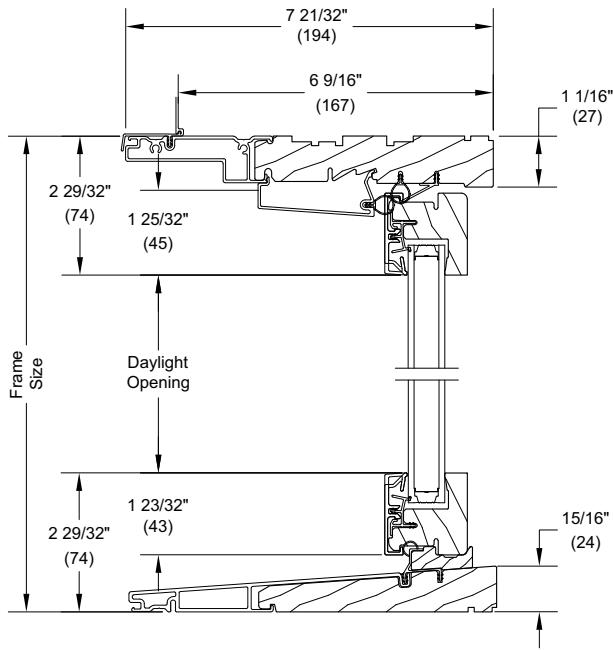
6 9/16" Head Jamb and Sill



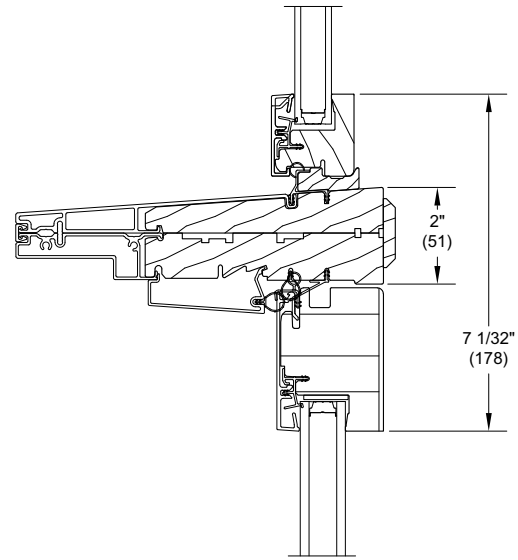
6 9/16" O Jamb

Inswing Section Details: In-Sash Transom (1 3/4 Panels)

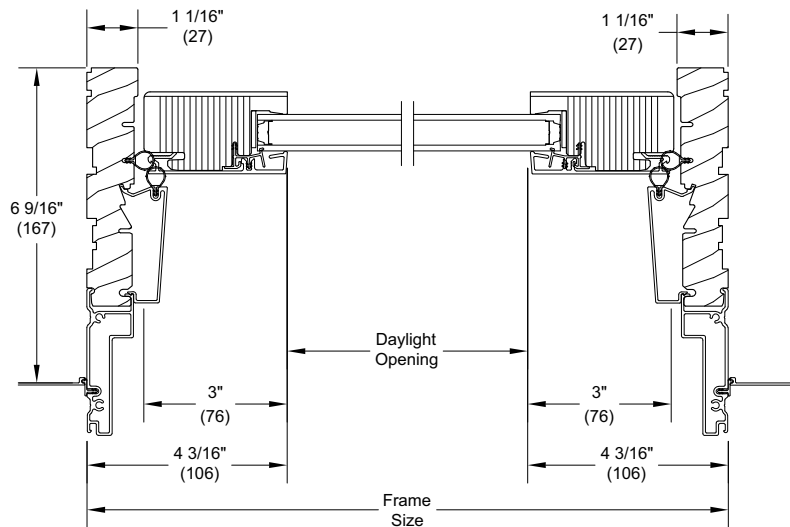
Scale: 3" = 1' 0"



**6 9/16" In Sash
Ultimate Transom Head Jamb
and Sill**



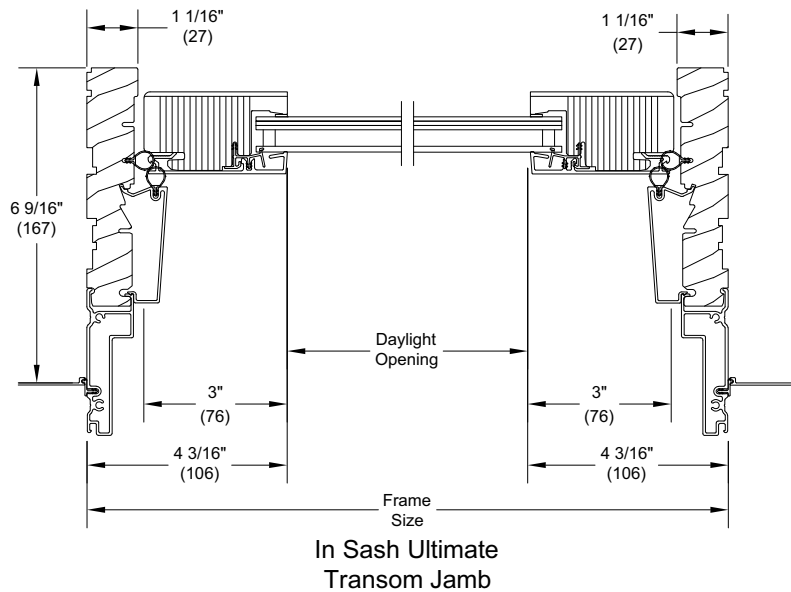
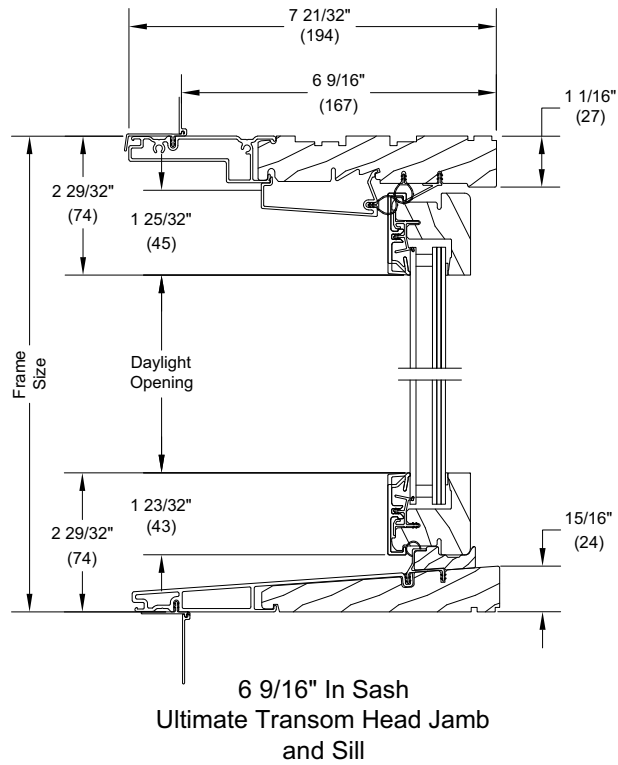
**Rectangular Ultimate Transom Over
Ultimate Inswing Door**



**In Sash Ultimate
Transom Jamb**

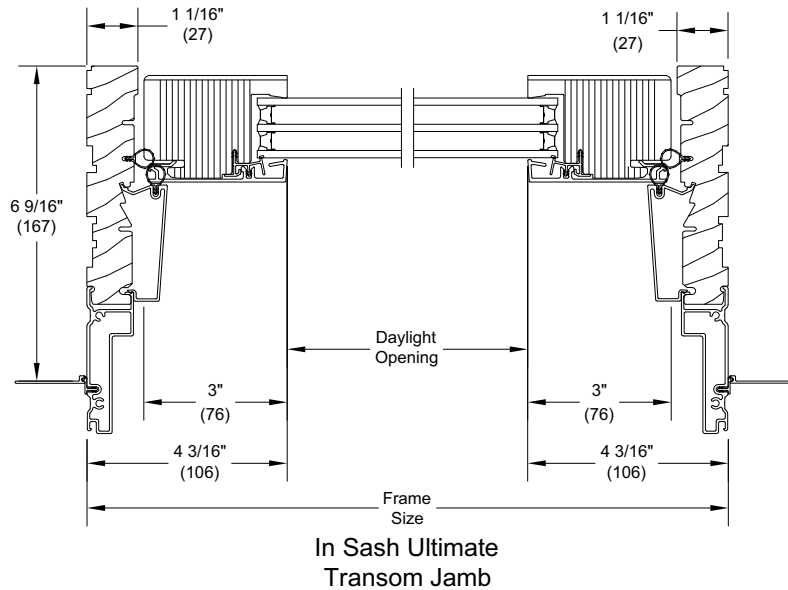
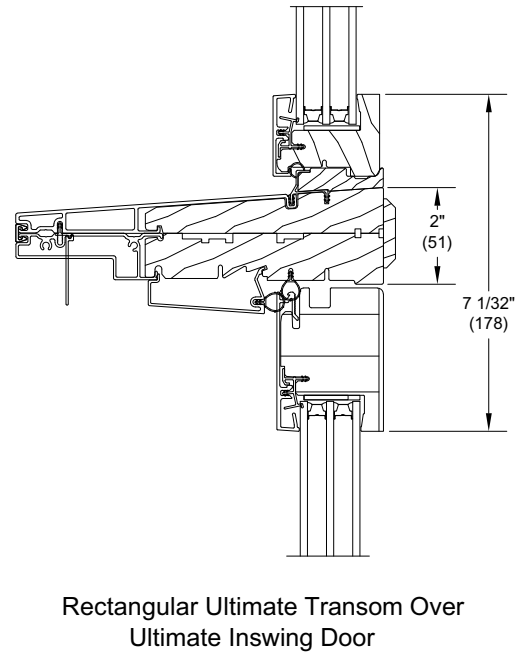
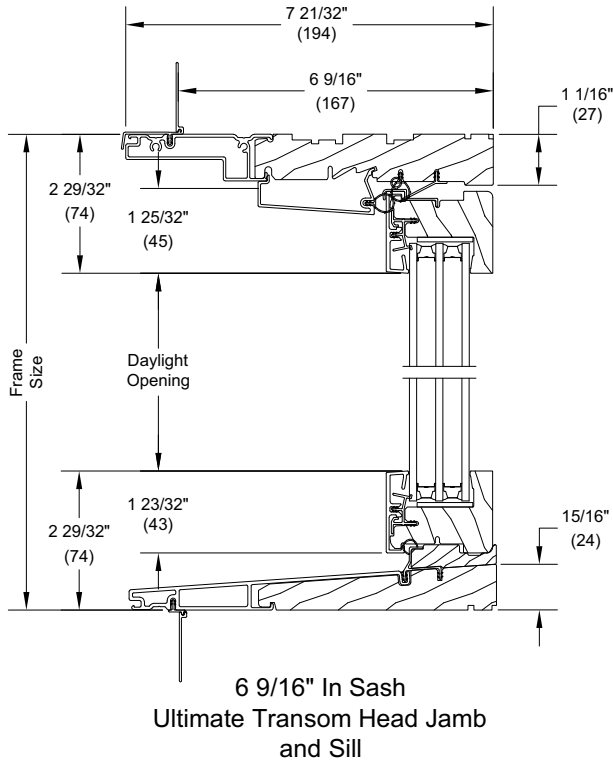
Inswing Section Details: In-Sash Transom IZ3 (1 3/4 Panels)

Scale: 3" = 1' 0"



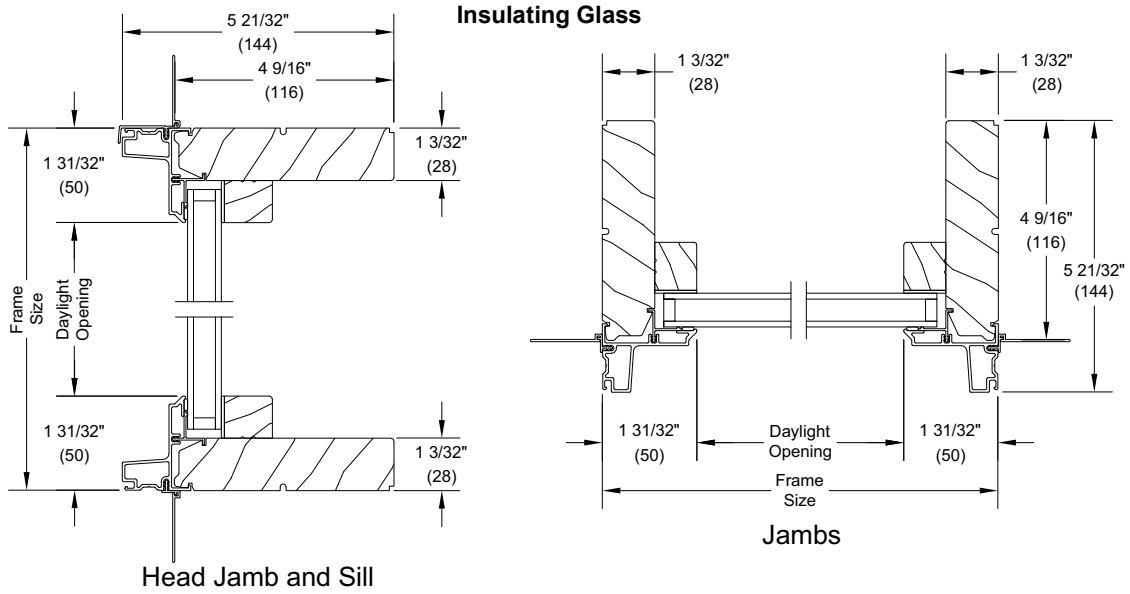
Inswing Section Details: In-Sash Transom (Tripane)

Scale: 3" = 1' 0"



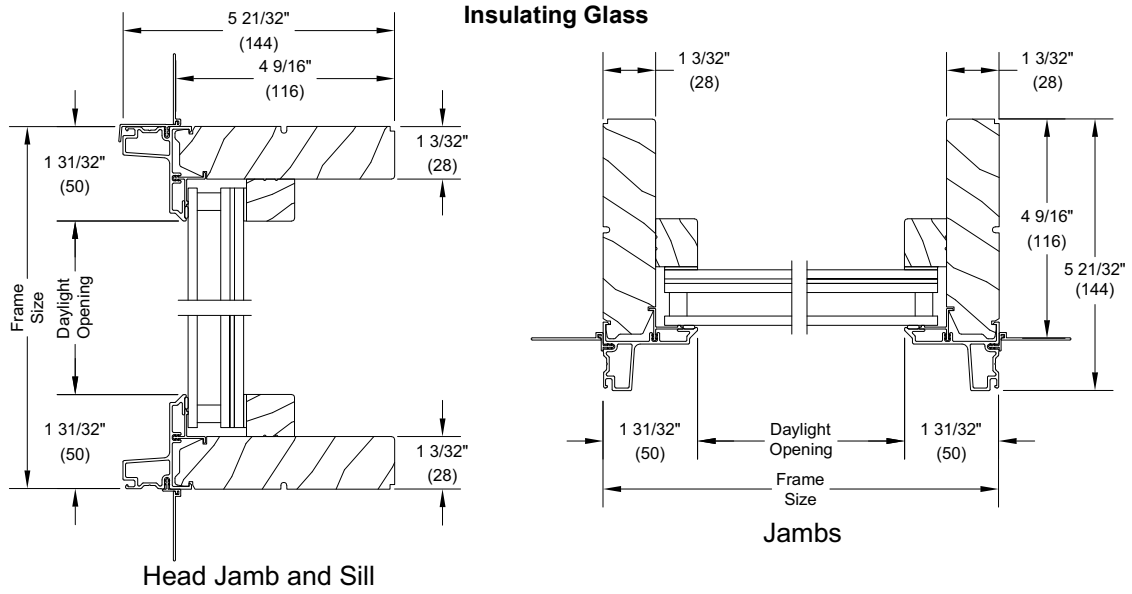
Inswing Section Details: Direct Glaze Rectangle

Scale: 3" = 1' 0"



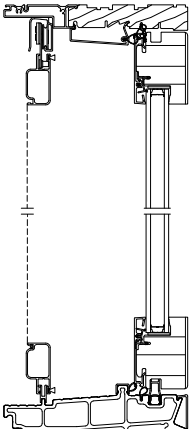
Inswing Section Details: Direct Glaze Rectangle IZ3

Scale: 3" = 1' 0"

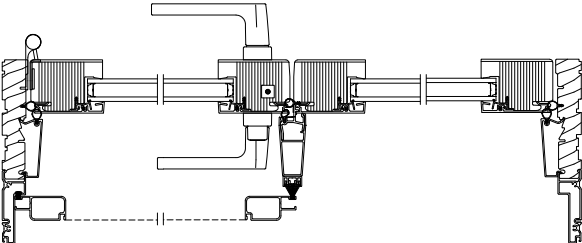


Inswing Section Details: Ultimate Sliding Screen

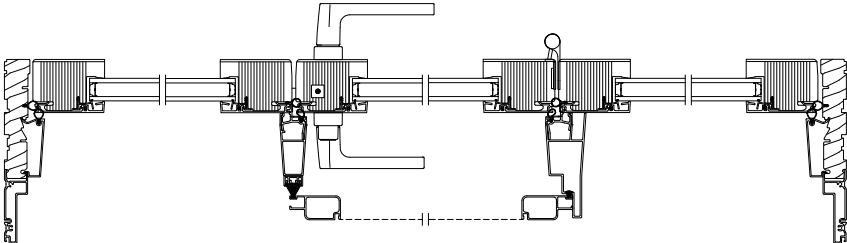
Scale: 3" = 1' 0"



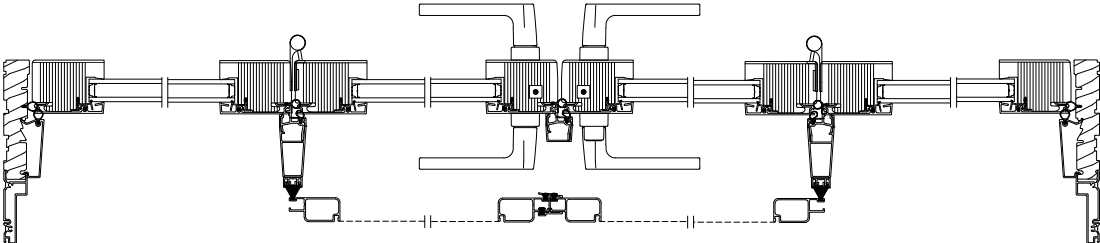
6 9/16" Head Jamb and Sill



OX L Jamb



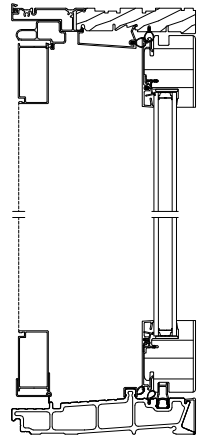
OXO R Jamb



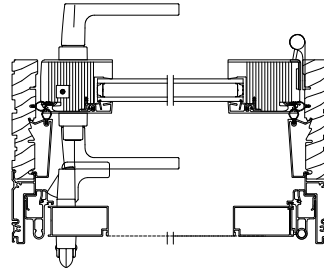
OXXO R Jamb

Inswing Section Details: Ultimate Swinging Screen

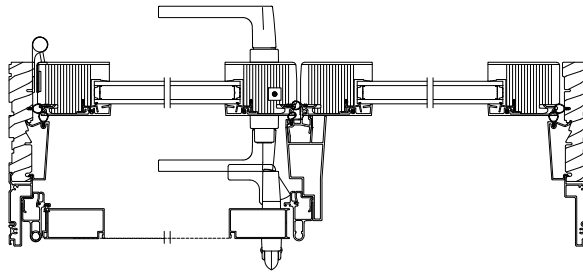
Scale: 3" = 1' 0"



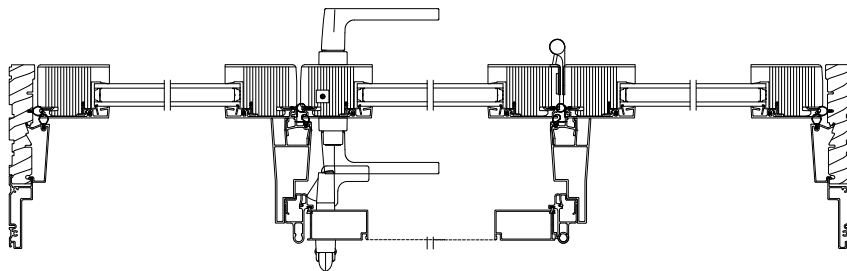
6 9/16" Head
Jamb and Sill



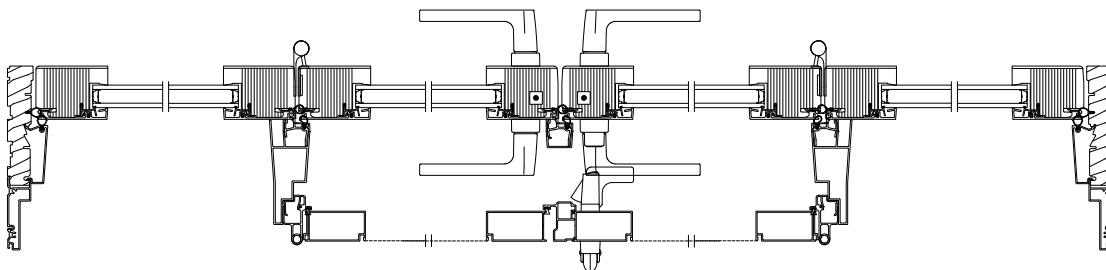
OX R Jamb



OX L Jamb



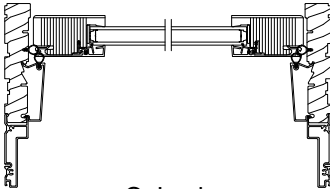
OXO R Jamb



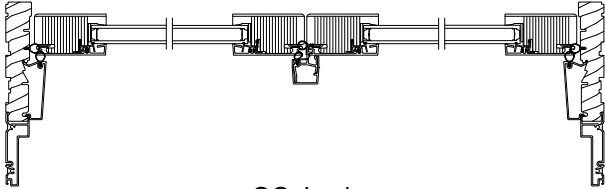
OXXO R Jamb

Inswing Section Details: In-Sash Transom Configurations

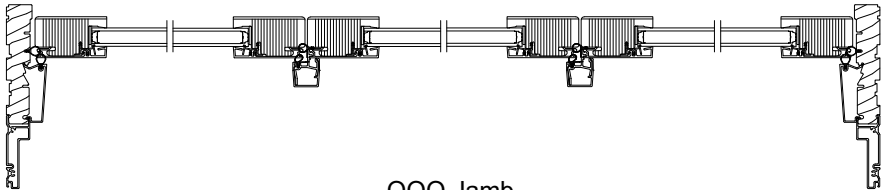
Scale: 3" = 1' 0"



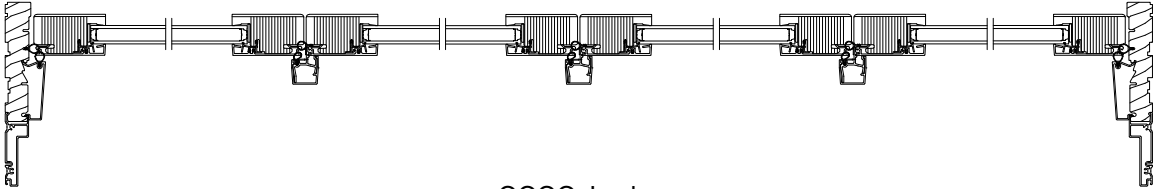
O Jamb
1 Frame 1 Sash



OO Jamb
1 Frame 2 Sash



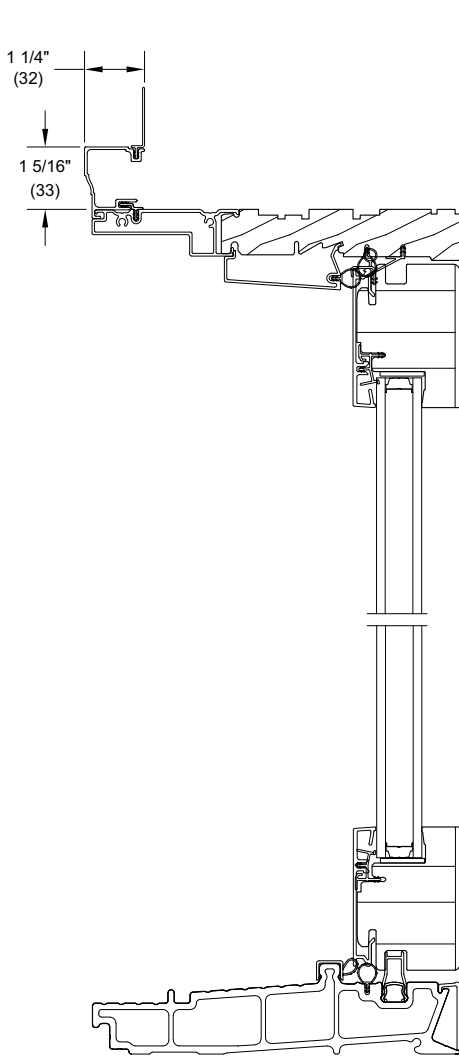
OOO Jamb
1 Frame 3 Sash



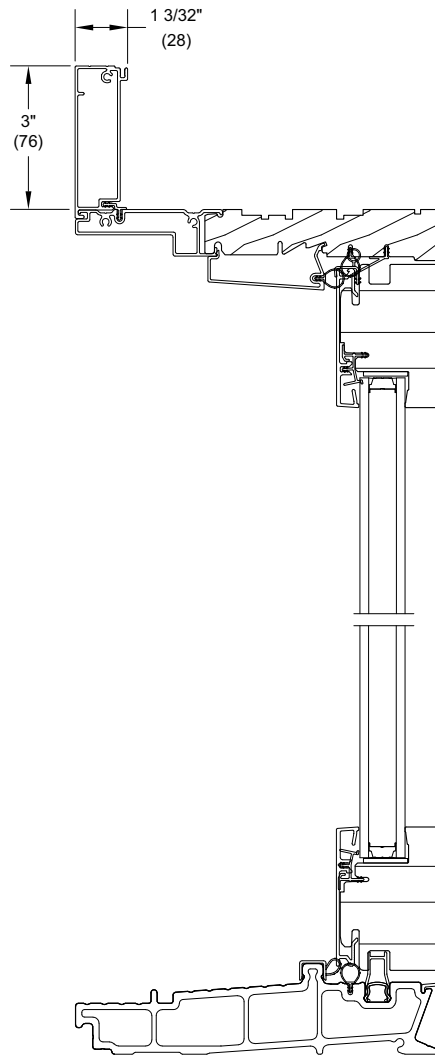
OOOO Jamb
1 Frame 4 Sash

Inswing Section Details: Casing Options

Scale: 3" = 1' 0"



Head Jamb and Sill
with Clad Brick Mould Casing



Head Jamb and Sill
with Clad Flat Casing

NOTE: Casings are available with IZ3 units.