

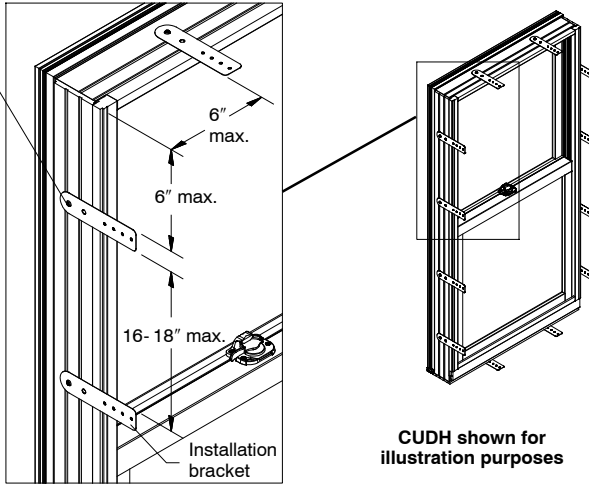
Installation Bracket Instructions

YOU WILL NEED TO SUPPLY

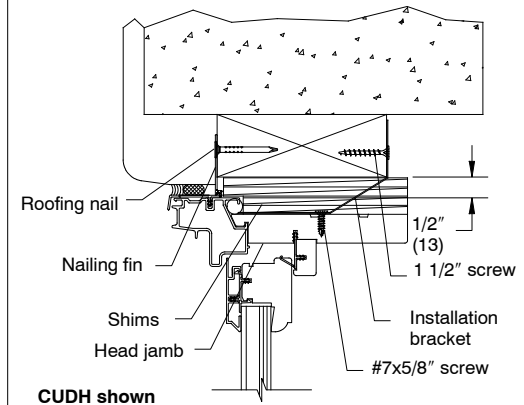
- | | | |
|----------------|--------------------|----------------------|
| Safety glasses | Hearing protection | Phillips screwdriver |
| Hammer | | |

1. Attach installation brackets on all sides of frame with #7 x 5/8" screws at 4" (102) to 6" (152) from corner. Minimum of two per side. All others evenly spaced at 16" (406) - 18" (457) apart. Minimum of two per side. See illustration 1. Attach bracket so that no less than three holes extend past the interior of the frame.

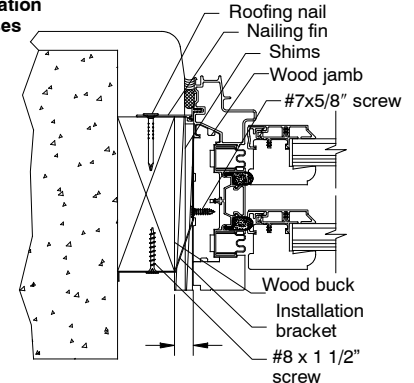
NOTE: This hole is for URCA units.



CUDH shown for illustration purposes



CUDH shown for illustration purposes



2. With a maximum of 1/2" (13) Rough Opening gap at point of attachment bend installation brackets around the framing studs. Attach with #8 x 1 1/2" screw. See illustration 2.

NOTE: Numbers listed in parentheses () are metric equivalents in millimeters rounded to the nearest whole number.
ATTENTION: Specifications and technical data are subject to change without notice.

11708224
2019-07-29

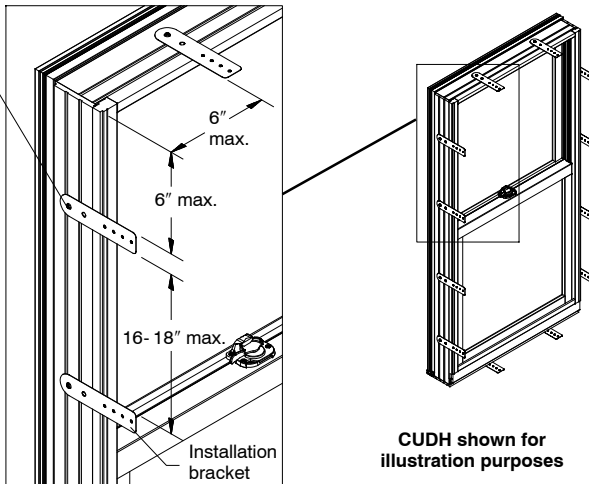
Installation Bracket Instructions

YOU WILL NEED TO SUPPLY

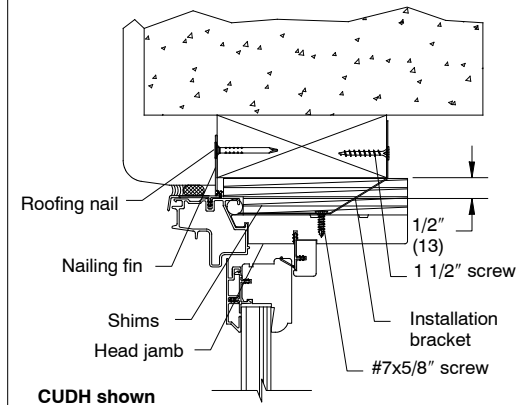
- | | | |
|----------------|--------------------|----------------------|
| Safety glasses | Hearing protection | Phillips screwdriver |
| Hammer | | |

1. Attach installation brackets on all sides of frame with #7 x 5/8" screws at 4" (102) to 6" (152) from corner. Minimum of two per side. All others evenly spaced at 16" (406) - 18" (457) apart. Minimum of two per side. See illustration 1. Attach bracket so that no less than three holes extend past the interior of the frame.

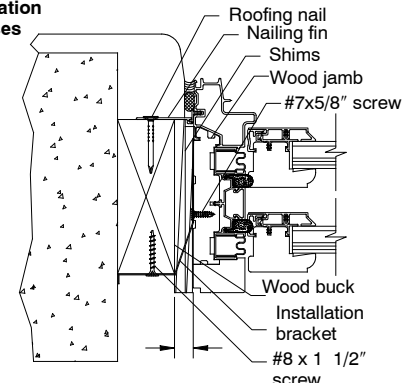
NOTE: This hole is for URCA units.



CUDH shown for illustration purposes



CUDH shown for illustration purposes



2. With a maximum of 1/2" (13) Rough Opening gap at point of attachment bend installation brackets around the framing studs. Attach with #8 x 1 1/2" screw. See illustration 2.

NOTE: Numbers listed in parentheses () are metric equivalents in millimeters rounded to the nearest whole number.
ATTENTION: Specifications and technical data are subject to change without notice.

11708224
2019-07-29