



# Ultimate Inswing French Door Arch Top

## Contents

### Replacement Parts

Specifications and technical data are subject to change without notice.

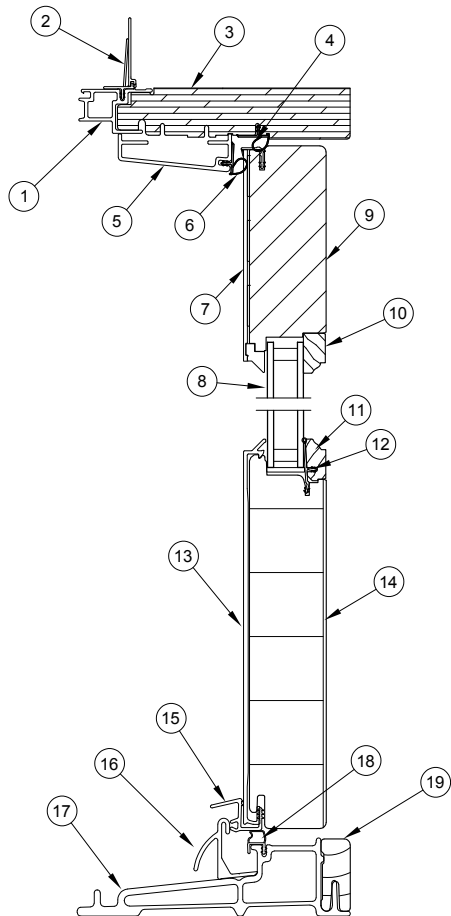
Numbers listed in ( ) parentheses are metric equivalents in millimeters rounded to the nearest whole number.

Suggested fasteners are not included and must be ordered separately.

Illustrations are not to scale.

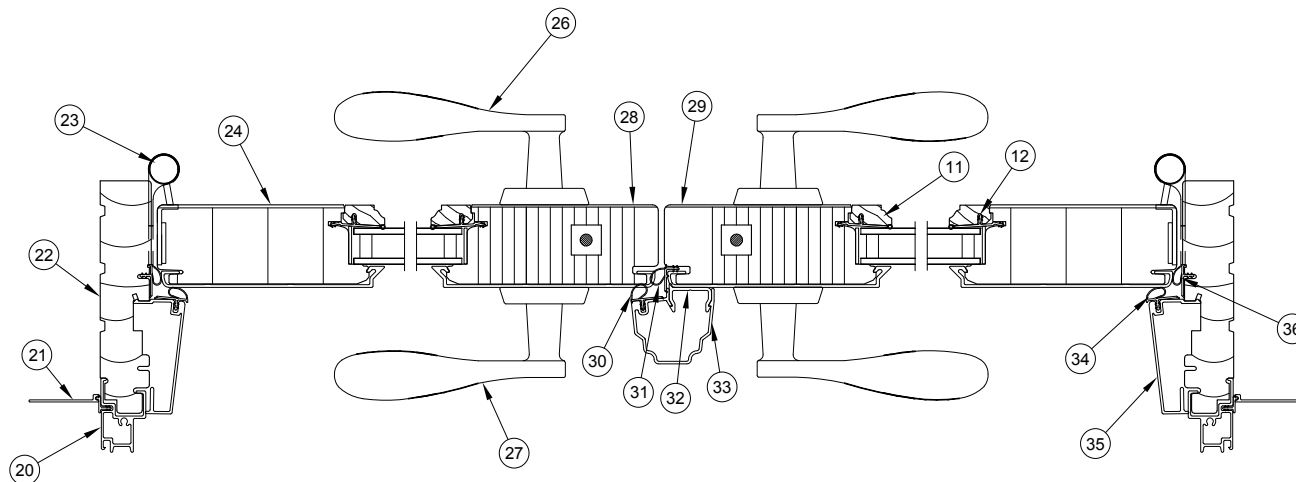
Product History.....	2
Part Identification - Operator XX.....	3
Installation Parts.....	4
Traditional Handle.....	5
Contemporary Handle .....	11
Handle - Keyed Cylinder.....	16
Handle Set - Discontinued No Availability (NA).....	17
Hinge Handing Location .....	18
Hinges.....	19
Hinges - Discontinued No Availability (NA).....	22
Locking Hardware .....	23
Lock Status Sensor Parts.....	27
Miscellaneous Parts .....	28
Miscellaneous Parts - Discontinued No Availability (NA).....	30
Aluminum Parts .....	35
Fiberglass Parts.....	36
Wood Parts.....	37
Vinyl Parts.....	39
Weather Strip .....	40
Weather Strip - Discontinued No Availability (NA).....	41
Panel Replacement .....	42
Combination Door - Wood Parts .....	43
Combination Door - Vinyl Parts .....	44
Combination Door Parts - Discontinued Limited Availability (LA) .....	45
Combination Door Parts - Discontinued No Availability (NA).....	46

Produced	Unit Type	Features and Changes
2003	Ultimate Inswing French Door Arch Top	7/03: Ultimate French Door Arch Top introduced. Change in Rough Opening radius for one panel doors to 40 1/2" and for two panel doors to 72 1/2". Added radius SDL.
2004	All	1/04: Added Oiled Rubbed Bronze and Satin Chrome to available hardware finishes. 4/12/04: Satin Nickel hardware finish introduced. Polished chrome finish hardware is retired.
2005	All	Arch Top Doors become Ultimate Arch Top Doors. Inswing sills upgraded for water infiltration introduced optional bronze ultrex sill with black weatherstrip.
2005	All	6/15/05: Changed jamb leaf on adjustable hinge to closed knuckle design. 6/27/05: Introduced Brass PVD and Satin Nickel PVD finishes to French door handles, adjustable hinges, and other miscellaneous parts.
2007	All	2/20/07: Introduced raised and flat panels as a standard option for Marvin French Doors and Commercial Doors. Introduced new Ultimate Swinging Screen along with an optional Storm Plus Insert.
2009	All	3/23/2009: Added LoE3-366 as a standard option for all products. Added Cedro Macho as a standard option for all clad products.
2011	Ultimate Inswing French Door Arch Top	04/25/2011: Added LoE-180 as a standard option for all products. White painted interior finish option introduced for all products.
2012	All	7/30/2012: Stave Core added to our description for current finger joint/edge glue construction of door panels. Updated adjustable hinge. 10/29/2012: Interior Square Sticking/Glazing Bead option introduced. 12/17/2012: Introduced Clear Interior Finish option on all products.
2013	All	4/29/2013: Introduced interior stain options. Stain colors are Wheat, Honey, Leather, Hazelnut, Cabernet and Espresso. 12/16/2013: Added SN PVD Butt Hinge option.
2014	All	2/24/2014: Introduced two Pearlescent clad colors – Bright Silver and Copper. Discontinued two clad colors – Sherwood Green and Cobalt Blue. Removed screen information and added new chapter for screen to manual. 10/27/2014: Introduced Ogee as the new default for interior profiles.
2016	All	06/27/2016: Introduced Matte Black as a standard hardware color 10/31/2016: Introduced 9-0 Call No heights 10/31/2016: Obsolescence of the wood species Cedro Macho for all products.
2017	Ultimate Inswing French Door Arch Top	12/18/2017: Added availability of Lock Status Sensor.



**Head Jamb and Sill**

- |                                       |  |
|---------------------------------------|--|
| 1. Head Jamb Cladding                 | 19. Sill Liner, W2528                          |
| 2. Head Jamb Nailing Fin/Drip Cap     | 20. Side Jamb Cladding                         |
| 3. Head Jamb                          | 21. Side Jamb Nailing Fin                      |
| 4. Head Jamb Weather Strip, V796      | 22. Side Jamb                                  |
| 5. Head Jamb Stop, A1266              | 23. Adjustable Hinge                           |
| 6. Head Jamb Stop Weather Strip, V796 | 24. Stile                                      |
| 7. Top Rail Cladding                  | 25. Stile Cladding                             |
| 8. Insulating Glass                   | 26. Interior Handle Assembly                   |
| 9. Top Rail                           | 27. Exterior Handle Assembly                   |
| 10. Top Rail Glazing Bead             | 28. Active Panel Locking Stile                 |
| 11. Glazing Bead Cap                  | 29. Inactive Panel Locking Stile               |
| 12. Vinyl Glazing Bead                | 30. Astragal Weather Strip, V796               |
| 13. Bottom Rail Cladding              | 31. Stile Weather Strip, V780                  |
| 14. Bottom Rail                       | 32. Astragal Base, A771                        |
| 15. Panel Drip, V940                  | 33. Astragal, A772                             |
| 16. Hydro Optimizer, A1251            | 34. Side Jamb Parting Stop Weather Strip, V796 |
| 17. Sill                              | 35. Side Jamb Parting Stop, A1266              |
| 18. Sill Weather Strip, V794          | 36. Side Jamb Weather Strip, V796              |

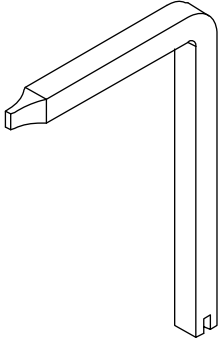


**Jamb XX L**

## Construction Handle

PN
----

10830451
----------



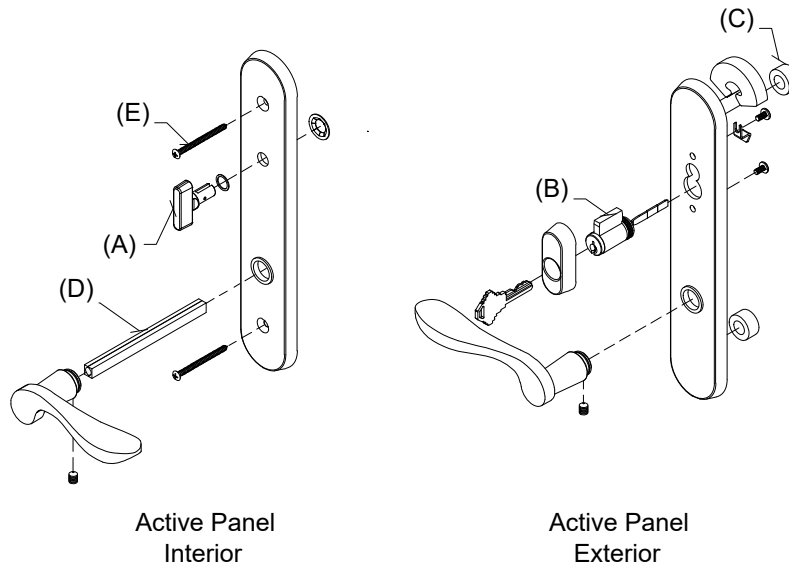
# Handle Assembly, Active, Keyed

Mortise Lock and Multi-Point Lock Systems (Schlage "C" Keyway)

## Includes:

- 1 - Interior lever with spindle, escutcheon plate and hardware
- 1 - Exterior lever with escutcheon plate and hardware
- 1 - Thumb turn with hardware (A)
- 1 - Keyed cylinder with housing and hardware (B)
- 1 - Exterior escutcheon plate gasket
- 2 - Lug Seal (C)
- 1 - Two piece spindle, 4.35" w/1 3/4" panel (D)
- 2 - #10-32 x 2 1/8" Phillips oval head machine screws (w/1 3/4" Panel) (E)
- 2 - Keys

Handle Assembly - 1 3/4 Panel	
Color	PN
Satin Taupe	10830304
Antique Brass	10830306
White	10830310
Satin Chrome	10830302
Oil Rubbed Bronze	10148111
Oil Rubbed Bronze PVD	10830300
Brass PVD	10830324
Satin Nickel PVD	10830421
Dark Bronze	10830330
Polished Chrome	10830308
Matte Black	10830450



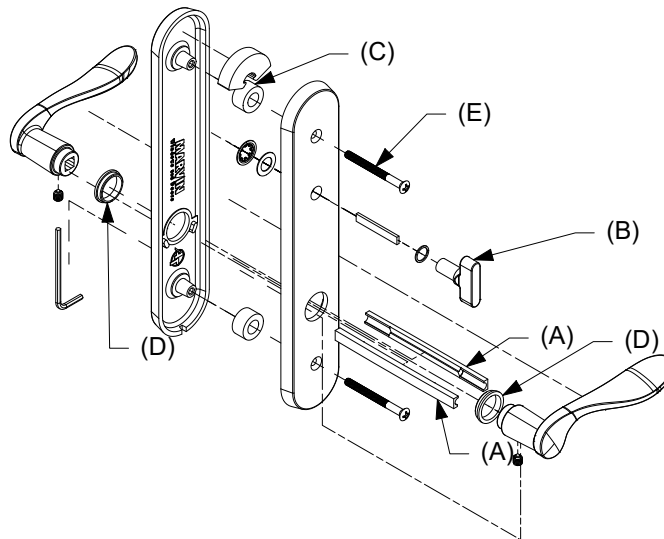
## Handle Assembly, Active, Non-Keyed

Mortise Lock and Multi-Point Lock Systems (Schlage "C" Keyway)

### Includes:

- 2 - Levers
- 2 - Lever bushings (D)
- 2 - Lug seals (C)
- 1 - Interior escutcheon
- 1 - Exterior escutcheon
- 1 - Thumb turn with actuator/tail piece (B)
- 1 - Two piece spindle, 4.35" w/1 3/4" panel (A)
- 2 - #10-32 x 2 1/8" Phillips oval head machine screws (w/1 3/4" Panel) (E)
- 2 - Set screws
- 1 - Allen wrench
- 1 - Installation instruction

Handle Assembly - 1 3/4 Panel	
Color	PN
Satin Taupe	10830514
Antique Brass	10830520
White	10830516
Satin Chrome	10830513
Oil Rubbed Bronze	10830512
Oil Rubbed Bronze PVD	10830510
Brass PVD	10830517
Satin Nickel PVD	10830521
Dark Bronze	10830518
Polished Chrome	10830515
Matte Black	10830519

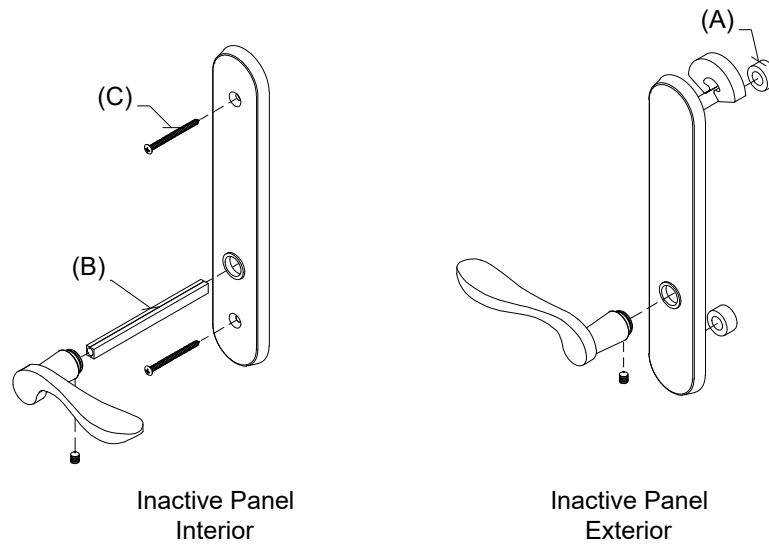


## Handle Assembly, Inactive/Dummy

### Includes:

- 1 - Interior lever with spindle, escutcheon plate and hardware
- 1 - Exterior lever with escutcheon plate and hardware
- 1 - Exterior escutcheon plate gasket
- 1 - Exterior escutcheon plate
- 2 - Lug seals (A)
- 1 - Two piece spindle, 4.35" (w/1 3/4" panel) (B)
- 2 - #10-32 x 2 1/8" Phillips oval head machine screws (w/1 3/4" Panel) (C)

Handle Assembly - 1 3/4 Panel	
Color	PN
Satin Taupe	10830318
Antique Brass	10830312
White	10830316
Satin Chrome	10830320
Oil Rubbed Bronze	10148154
Oil Rubbed Bronze PVD	10830322
Brass PVD	10830326
Satin Nickel PVD	10830422
Dark Bronze	10830328
Polished Chrome	10830314
Matte Black	10148157



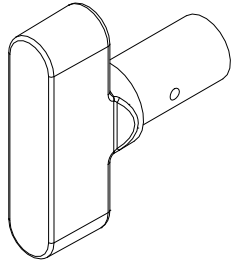
## Thumb Turn, Traditional

For Keyed Handle

### Includes:

Thumb Turn Washer  
Thumb Turn Push Nut

No Tail Piece/Actuator (for keyed handle)	
Color	PN
Antique Brass	10148483
Satin Chrome	10148482
Oil Rubbed Bronze	10148481
Oil Rubbed Bronze PVD	10148485
Polished Chrome	10148488
Brass PVD	10148484
Satin Nickel PVD	10148487
Satin Taupe	10148486
Dark Bronze	10148479
White	10148489
Matte Black	10148480



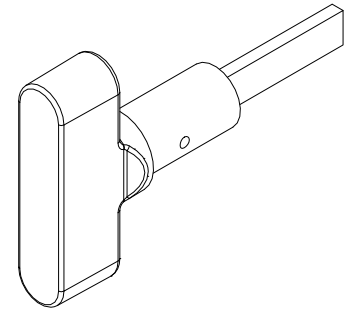
## Thumb Turn, Traditional with Actuator/Tail Piece

For Non-Keyed Handle

### Includes:

Actuator/Tailpiece  
Thumb Turn Washer  
Thumb Turn Push Nut

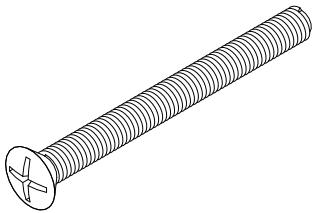
With Tail Piece/Actuator (for non-keyed handle)	
Color	PN
Antique Brass	10148495
Satin Chrome	10148494
Oil Rubbed Bronze	10148493
Oil Rubbed Bronze PVD	10148497
Polished Chrome	10148500
Brass PVD	10148496
Satin Nickel PVD	10148499
Satin Taupe	10148498
Dark Bronze	10148491
White	10148501
Matte Black	10148492





## #10–32 x 2 1/8” Phillips Oval Head Machine Screw

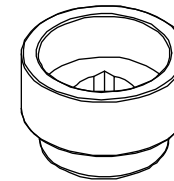
Color	PN
Satin Taupe	11800616
Antique Brass	00143038
White	00143036
Satin Chrome	10840031
Oil Rubbed Bronze	10840032
Oil Rubbed Bronze PVD	11800160
Brass PVD	11800615
Satin Nickel PVD	11800190
Dark Bronze	11800654
Matte Black	11800181



## Handle Extensions

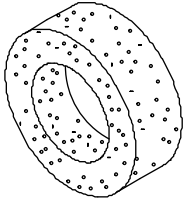
3/4” Handle Extension (Requires 3/4” Spindle Extension)	
Color	PN
Satin Taupe	10833060
Antique Brass	10833057
White	10833063
Satin Chrome	10833056
Oil Rubbed Bronze	10833038
Oil Rubbed Bronze PVD	10833059
Brass PVD	10833058
Satin Nickel PVD	10830139
Dark Bronze	10833054
Polished Chrome	10833062
Matte Black	10833055

3/8” Handle Extension (Requires 3/8” Spindle Extension)	
Color	PN
Satin Taupe	10833049
Antique Brass	10833046
White	10833052
Satin Chrome	10833045
Oil Rubbed Bronze	10833044
Oil Rubbed Bronze PVD	10833048
Brass PVD	10833047
Satin Nickel PVD	10833050
Dark Bronze	10833042
Polished Chrome	10833051
Matte Black	10833043



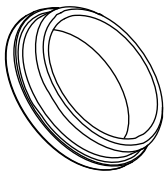
## Lug Seals

PN
00142046



## Lever Bushing, Swinging Handle Set, Traditional

Color	PN
Clear	02062201
Gray	10148448
Gold	10148447
Natural	02062202
Black	10148020



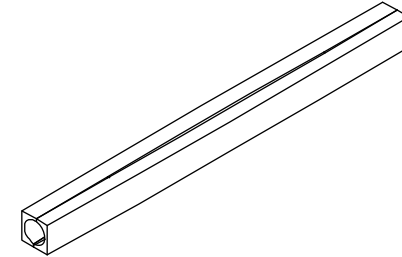
## Spindle (Ashland and Truth)

### Includes:

- 1 - 2 piece spindle
- 2 - Set screws

NOTE: The 5 1/16" spindle is primarily used for 1 3/4" doors with the 3/4" lever extension.

Size	PN
4 3/8"	18900392
5 1/16"	18900393

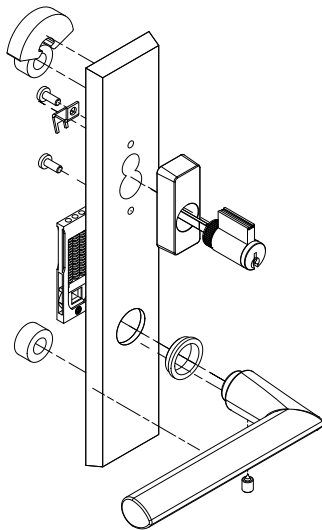


## Contemporary Handle, Exterior, Active, Keyed

### Includes:

- 1 - Handle
- 1 - Exterior escutcheon with bushing
- 1 - Keyed cylinder
- 2 - Lug seals
- 1 - Spring cartridge
- 1 - Set screw
- 1 - Installation instruction
- 1 - Hex wrench

LH Inswing Panel uses LH PN RH Inswing Panel uses RH PN		
Color	LH PN	RH PN
Matte Black	11870120	11870112
Satin Nickel PVD	11870122	11870114
Oil Rubbed Bronze PVD	11870124	11870116
Dark Bronze	11870126	11870118



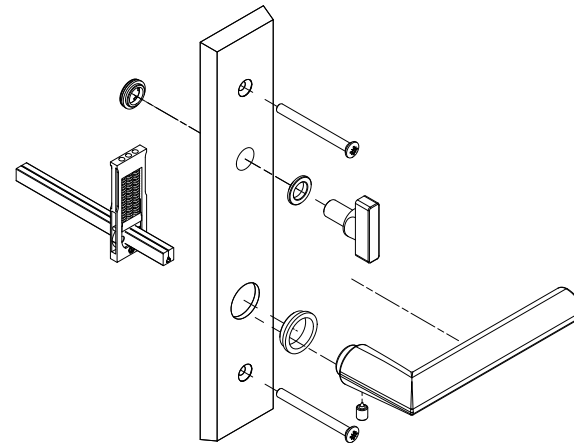
LH shown

## Contemporary Handle, Interior, Active, Keyed

### Includes:

- 1 - Handle
- 1 - Interior escutcheon with bushings
- 1 - Spring cartridge
- 1 - Thumb turn
- 2 - Machine screws, 2 1/4" Doors
- 2 - Machine screws, 1 3/4" Doors
- 1 - Split spindle, 2 1/4" Doors
- 1 - Split spindle, 1 3/4" Doors
- 1 - Set screw
- 1 - Installation instruction
- 1 - Hex wrench

LH Inswing Panel uses RH PN RH Inswing Panel uses LH PN		
Color	LH PN	RH PN
Matte Black	11870104	11870097
Satin Nickel PVD	11870106	11870098
Oil Rubbed Bronze PVD	11870108	11870100
Dark Bronze	11870110	11870102



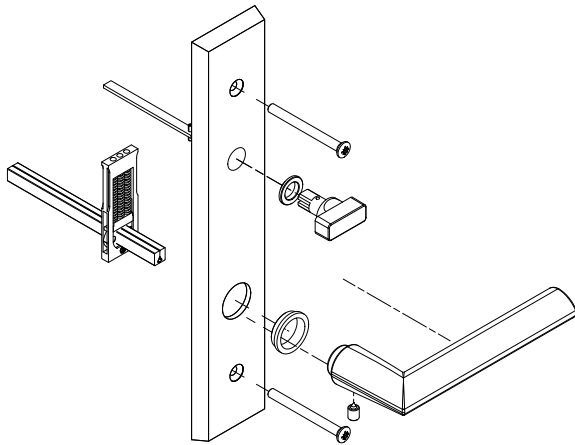
RH shown

# Contemporary Handle, Interior, Active, Non-Keyed

## Includes:

- 1 - Handle
- 1 - Interior escutcheon with bushings
- 1 - Spring cartridge
- 1 - Thumb turn
- 2 - Machine screws, 2 1/4" Doors
- 2 - Machine screws, 1 3/4" Doors
- 1 - Split spindle, 2 1/4" Doors
- 1 - Split spindle, 1 3/4" Doors
- 1 - Set screw
- 1 - Installation instruction
- 1 - Hex wrench

LH Inswing Panel uses RH PN RH Inswing Panel uses LH PN		
Color	LH PN	RH PN
Matte Black	11870136	11870128
Satin Nickel PVD	11870138	11870130
Oil Rubbed Bronze PVD	11870139	11870132
Dark Bronze	11870143	11870133



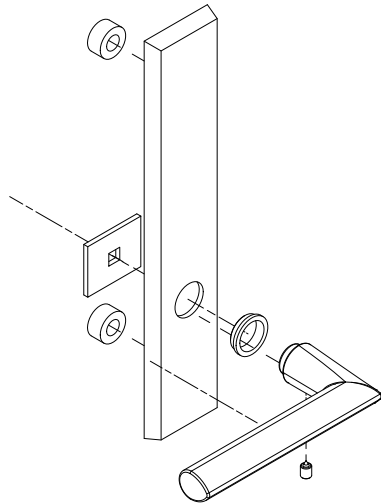
RH shown

## Contemporary Handle, Exterior, Non-Keyed, Inactive/Dummy

### Includes:

- 1 - Handle
- 1 - Exterior escutcheon with bushings
- 2 - Lug seals
- 1 - Fixing plate
- 1 - Set screw
- 1 - Installation instruction
- 1 - Hex wrench

LH Inswing Panel uses LH PN RH Inswing Panel uses RH PN		
Color	LH PN	RH PN
Matte Black	11870153	11870145
Satin Nickel PVD	11870154	11870146
Oil Rubbed Bronze PVD	11870156	11870148
Dark Bronze	11870158	11870149



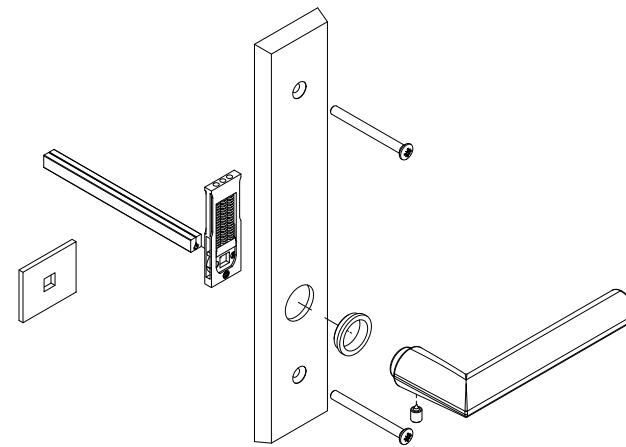
LH shown

## Contemporary Handle, Interior, Inactive/Dummy

### Includes:

- 1 - Handle
- 1 - Escutcheon with bushing
- 1 - Dummy fixing plate
- 1 - Spring cartridge
- 2 - Machine screws, 2 1/4" Doors
- 2 - Machine screws, 1 3/4" Doors
- 1 - Split spindle, 2 1/4" Doors
- 1 - Split spindle, 1 3/4" Doors
- 1 - Set screw
- 1 - Installation instruction
- 1 - Hex wrench

LH Inswing Panel uses RH PN RH Inswing Panel uses LH PN		
Color	LH PN	RH PN
Matte Black	11870169	11870160
Satin Nickel PVD	11870171	11870162
Oil Rubbed Bronze PVD	11870172	11870164
Dark Bronze	11870174	11870166



RH shown

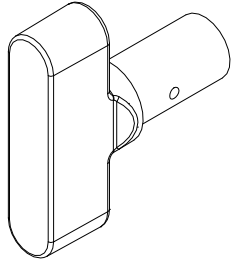
## Thumb Turn, Contemporary

For Keyed Handle

### Includes:

- Thumb Turn Washer
- Thumb Turn Push Nut

No Tail Piece/Actuator (for keyed handle)	
Color	PN
Oil Rubbed Bronze PVD	10148485
Satin Nickel PVD	10148487
Dark Bronze	10148479
Matte Black	10148480



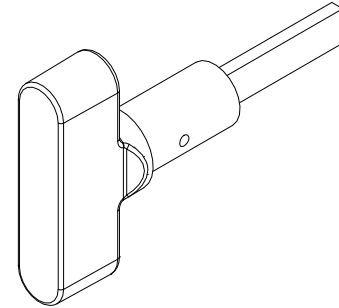
## Thumb Turn, Contemporary with Actuator/Tail Piece

For Non-Keyed Handle

### Includes:

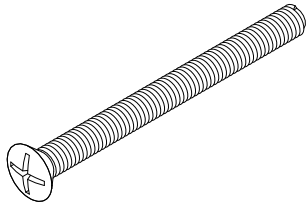
- Actuator/Tailpiece
- Thumb Turn Washer
- Thumb Turn Push Nut

With Tail Piece/Actuator (for non-keyed handle)	
Color	PN
Oil Rubbed Bronze PVD	10148497
Satin Nickel PVD	10148499
Dark Bronze	10148491
Matte Black	10148492



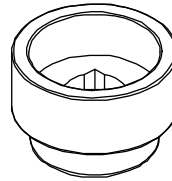
## M5 x 55mm Oval Head Machine Screw

Color	PN
Satin Taupe	10148400
Oil Rubbed Bronze PVD	10148402
Satin Nickel PVD	10148403
Dark Bronze	10148404
Matte Black	10148440



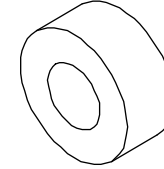
## Handle Extension

3/4" Handle Extension (Requires 3/4" Spindle Extension)	
Color	PN
Satin Taupe	10148419
Oil Rubbed Bronze PVD	10148421
Satin Nickel PVD	10148422
Dark Bronze	10148420
Matte Black	10148445



## Gasket Post

PN
10148404

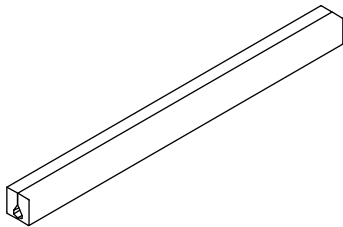


## Spindle (Hoppe)

### Includes:

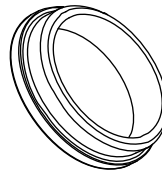
- 1 - 2 piece spindle
- 2 - Set screws

Size	PN
4 3/4"	10148414
5 1/2"	10148415



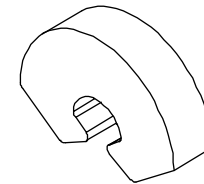
## Lever Bushing

Color	PN
Gray	10148448
Natural	02062202
Black	10148020



## Gasket - Top Backplate

PN
10148405



## Keyed Cylinder, Lock

(Schlage "C" Keyway)

For service replacement only.

### Includes:

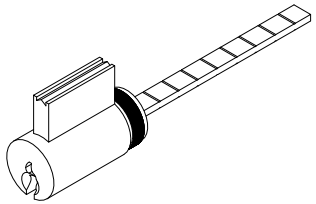
2 - Keys

NOTE: For Keyed Alike orders, use program C87P2

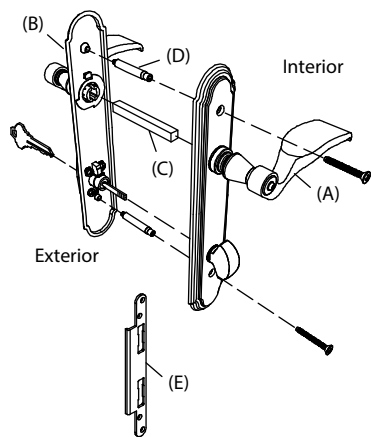
Polished Chrome, White, Satin Nickel PVD, Matte Black use  
Chrome Face

Satin Taupe, Antique Brass, Satin Chrome, Oil Rubbed  
Bronze, Oil Rubbed Bronze PVD, Brass PVD, Dark Bronze  
use Brass Face

Color	PN
Brass Face	10830211
Chrome Face	10830208

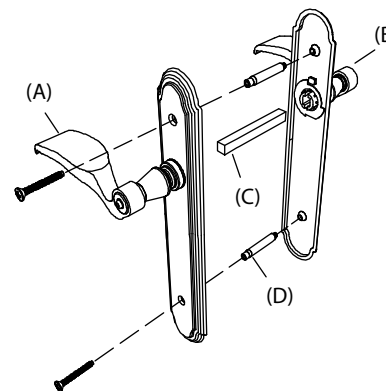






**Multi-Point Handle, Active, Solid Brass -  
Pre 2000 (Essve)**

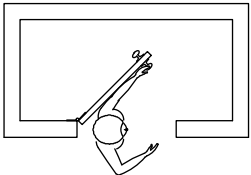
No longer available. Current handle can be used by turning it upside down.



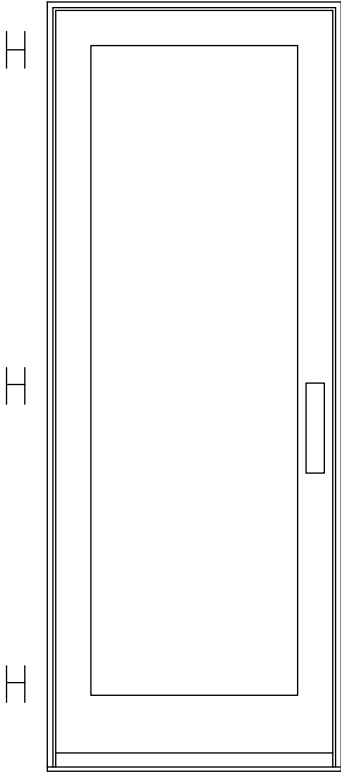
**Multi-Point Handle, Inactive, Solid Brass  
- Pre 2000 (Essve)**

No longer available. Current handle can be used by turning it upside down.

**NOTE: Always view units from the exterior for handing.**  
**H=Hinge location**

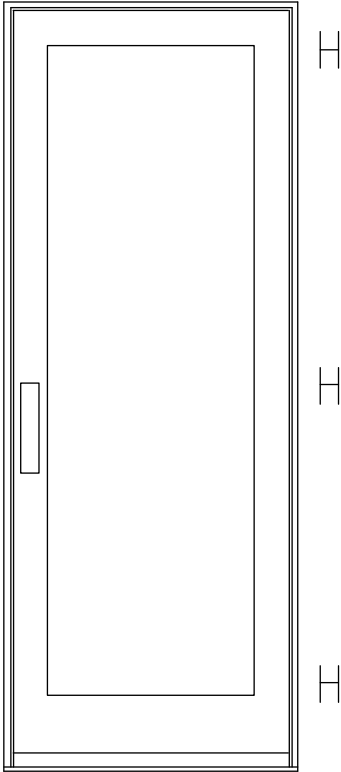


LH Inswing



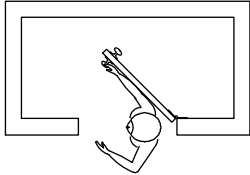
**X-LH Inswing**

This panel uses the left hand hinge



**X-RH Inswing**

This panel uses the right hand hinge



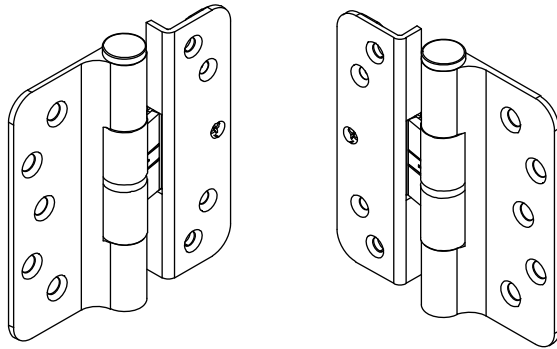
RH Inswing

# Hinge Kit, Adjustable

## Includes:

- 1 - Adjustable hinge
- 1 - #10 x 2 1/2" Phillips flat head wood screws (jamb)
- 5 - #10 x 3/4" Phillips flat head wood screws (jamb, stationary stile)
- 4 - #8 x 1 1/2" Phillips flat head wood screws (panel)

NOTE: Hinge part number includes the color matched screws, If you need to order the screws separately, they are listed below.



LH Hinge

RH Hinge

Hinge Color	LH PN	RH PN
Satin Taupe (TP)	02101216	02101227
Goldtone (GT)	02101213	02101224
Silver Frost (SF)	02101218	02101229
Dark Bronze (DKBZ)	02101217	02101228
Antique Brass (AB)	02101210	02101221
White (WH)	02101214	02101225
Satin Chrome (SC)	02101212	02101223
Oil Rubbed Bronze (ORBZ)	02101219	02101230
Oil Rubbed Bronze PVD (ORBZ)	02101211	02101222
Brass PVD (BS)	02101215	02101226
Satin Nickel (SN) PVD	02101220	02101231
Polished Chrome (PC)	02101234	02101235
Matte Black (MBK)	02101236	02101237

Screw Color	Matching Hinge Color
TP	TP
GT	GT
WH	WH
DKBZ	AB, ORBZ PVD, DKBZ, ORBZ
BS PVD	BS PVD
Stainless Steel	SC, SF, SN PVD, PC
Chrome	SC, SF, SN PVD, PC
MBK	MBK

Screw Description	TP PN	GT PN	WH PN	DKBZ PN	BS PVD PN	Stainless Steel PN	Chrome PN	MBK PN
#8 x 1 1/2" Phillips flat head wood screws (panel). Quantity of four needed per hinge.	11865177	11865172	11865173	02058013	11865176	11865175		11865178
#10 x 3/4" Phillips flat head wood screws (jamb) (stationary stile). Quantity of five needed per hinge.	11800674	11800670	11800671	11800669	11800673		11800672	11800677
#10 x 2 1/2" Phillips flat head wood screws (jamb). Quantity of one needed per hinge.	11800653	11800632	11800637	11800644	10148185	11800639		11800696
NOTE: Part numbers for these screws are sold in packages of 4 screws and includes 1 - 5/32" Allen wrench.								

## Long Hinge Screw Package

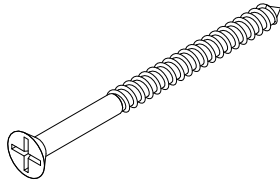
### Includes:

4 - #10 x 2 1/2" screws

1 - 5/32" Allen wrench

Hinge Color	PN
Satin Taupe	11800653
Gold Tone	11800632
Dark Bronze	11800644
White	11800637
Stainless Steel	11800639
Brass PVD	10148185
Matte Black	11800696

NOTE: Order Dark Bronze screw package for Dark Bronze, Antique Brass and Oil Rubbed Bronze hinges. Order Stainless Steel screw packages for Silver Frost, Satin Chrome and Satin Nickel PVD hinges.



## 4" Butt Hinge

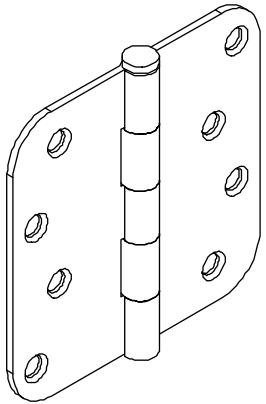
NRP=Non Removable Pin

### Includes:

- 1 - 4" Hinge
- 7 - #9 x 1" Phillips flat head wood screws - a
- 1 - #10 x 2 1/2" Phillips flat head wood screw (frame) b

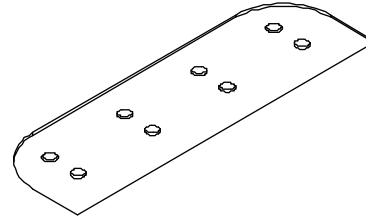
Hinge Color	PN
Brass	02101140
Satin Nickel PVD	02100599
Stainless Steel	11809005

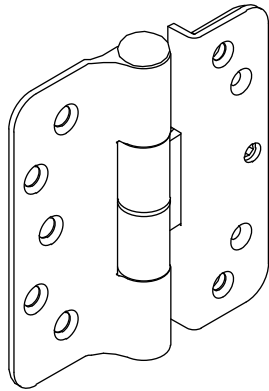
Screw Color	PN
#9 x 1" Brass	11213824
#10 x 2 1/2" Brass PVD	11800679



## 4" Butt Hinge Shim

PN
10500222

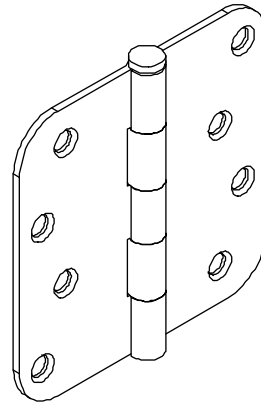




**Hinge, Adjustable, Pre 2012**

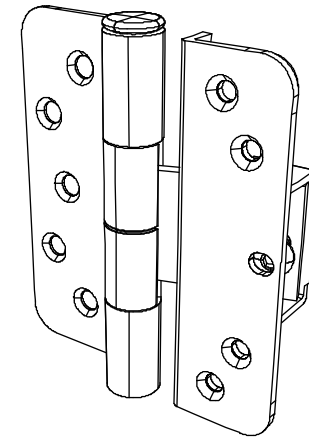
No longer available.

NOTE: The current adjustable hinge kit may be used. If using the current hinge, all hinges on the panel must be changed.



**Butt Hinge, Inswing Doors**

No longer available.



**Hinge, Adjustable, 2000-2005**

No longer available.

NOTE: The current adjustable hinge kit may be used. If using the current hinge, all hinges on the panel must be changed.

**Screw Description**

Available fasteners: #10 x 1" Phillips flat head wood screws. Quantity of 5 needed per hinge

Hinge Color	Screw Color	PN
Satin Taupe	Satin Taupe	05580145
Goldtone	Goldtone	11800606
Satin Frost	Stainless Steel	11800605
Dark Bronze	Dark Bronze	02050526
Antique Brass	Dark Bronze	02050526
White	White	11800603
Satin Chrome	Stainless Steel	11800605
Oil Rubbed Bronze	Dark Bronze	02050526
Oil Rubbed Bronze PVD	Dark Bronze	02050526
Brass PVD	Brass PVD	11800600
Satin Nickel PVD	Stainless Steel	11800605
Polished Chrome	Stainless Steel	11800605

## Strike Plate, Jamb Mortise Lock or Multi-Point Lock

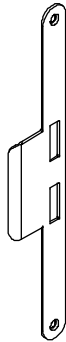
Std on 1 panel operator

### Includes:

- 1 - Jamb strike plate
- 2 - #8-18 x 1" Type AB, Full thread, Phillips flat head screws, Stainless Steel (11800645), Dark Bronze (11800652), Brass PVD (11800536)

Note: Dark Bronze screws are used with Antique Brass and Oil Rubbed Bronze PVD

Color	PN
Stainless Steel	05700300
Antique Brass	05700301
Oil Rubbed Bronze PVD	05700302
Brass PVD	10148177



## Strike Plate, Inactive Panel Mortise Lock or Multi-Point Lock

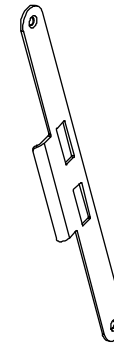
Std on 2 panel operator

### Includes:

- 1 - Jamb strike plate
- 2 - #8-18 x 1" Type AB, Full thread, Phillips flat head screws, Stainless Steel (11800645), Dark Bronze (11800652), Brass PVD (11800536)

Note: Dark Bronze screws are used with Antique Brass and Oil Rubbed Bronze PVD

Color	PN
Stainless Steel	05700303
Antique Brass	05700304
Oil Rubbed Bronze PVD	05700305
Brass PVD	10148178



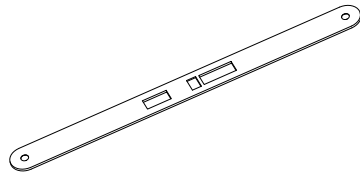
## Cover Plate, Active Panel, Mortise Lock or Multi-Point Lock

### Includes:

- 1 - Cover plate
- 2 - #8 x 1" Brass Phillips flat head wood screws Stainless Steel - 11800645, Dark Bronze - 11800652, Brass PVD - 11800536

Note: Dark Bronze screws are used with Antique Brass and Oil Rubbed Bronze PVD

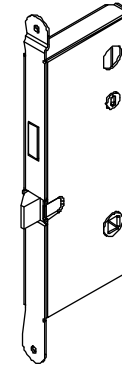
Color	PN
Stainless Steel	05700306
Antique Brass	05700307
Oil Rubbed Bronze PVD	05700308
Brass PVD	10148179



## Mortise Lock, Active Single Point

(latch and dead bolt only)

PN
05700129



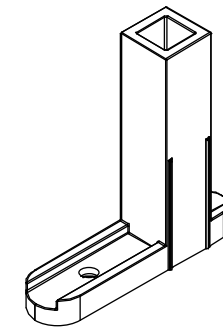
## Shoot Bolt Guide

Active Panels with multi-point

### Includes:

- 1 - Shoot Bolt Guide
- 1 - #8 x 1 1/2" Phillips pan head wood screw

PN
10815199

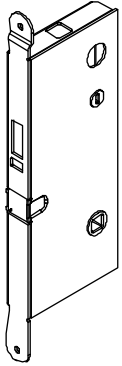




## Mortise Lock, Inactive Panel Multi-Point Lock

(head/foot shoot bolts)

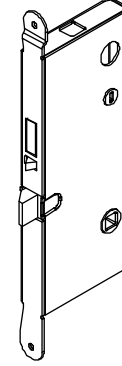
PN
05700131



## Mortise Lock, Active Multi-Point Lock

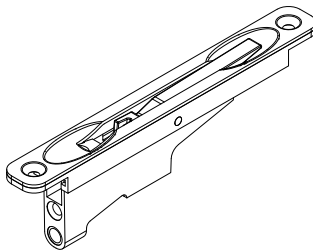
(latch, dead bolt and head/foot shoot bolts)

PN
05700130



## Head or Foot Flush Bolt - Inactive Panel

Color	PN
Black	11101780

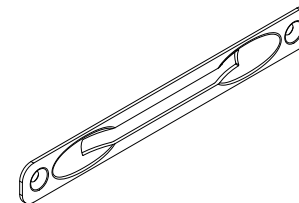


## Cover Plate for Flush Bolt

### Includes:

- 1 - Cover plate
- 2 - #8 x 1" screws

Color	PN
Aluminum	11860402

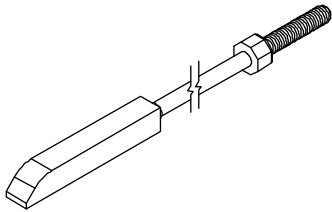


## Inactive Panel Locking Rod Assembly, Top or Bottom Flush Bolt

### Includes:

1 - Locking rod with end bolt

CN Height	Top Locking Rod Length	Color	PN
6/8	11"	Stainless Steel	05700180
7/0	11"		05700180
8/0	27"		05700185
9/0	34 1/4"		05700170
Height	Btm Locking Rod Length		PN
All heights	11 1/2"		10815178



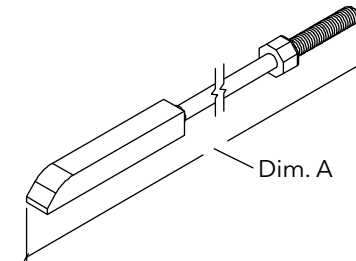
## Locking Rod Assembly, Top for Multi-Point Lock

Solid stainless steel rod with 1/4" - 20 threads  
Active Panels with multi-point

### Product usage:

3/02 to present (Amerock) 8-0 height see History  
5/10/90 to present (Amerock) 6-8 and 7-0 height

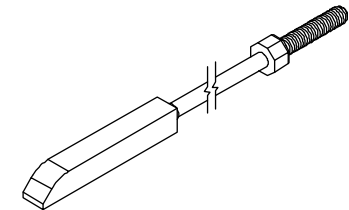
CN Height	Top Locking Rod Length	PN
6/8	37 15/16"	05700176
7/0	41 15/16"	05700177
8/0	51 7/16"	05700179
9/0	63 7/16"	05700191



## Locking Rod Assembly, Bottom for Multi-Point Lock

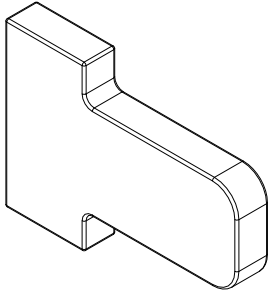
Solid stainless steel rod with 1/4" - 20 threads  
Active Panels with multi-point

CN Height	Btm Locking Rod Length	Color	PN
6/8	34 9/32"	Stainless Steel	05700170
7/0			
8/0			
9/0			



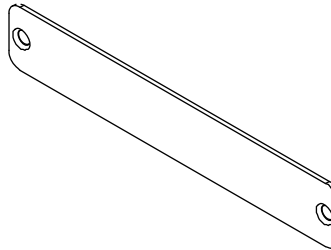
## Tailpiece, Non-keyed, Button Switch

Color	PN
Stainless Steel	10501844



## Cover, Transmitter

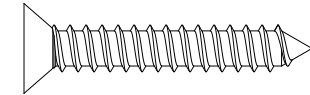
Color	PN
Brushed Stainless Steel	10501822



## #8-18 x 1" Type AB, Full Thread

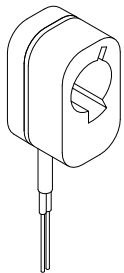
Used for Transmitter Cover  
Need quantity of 2 for each part

PN
11800769



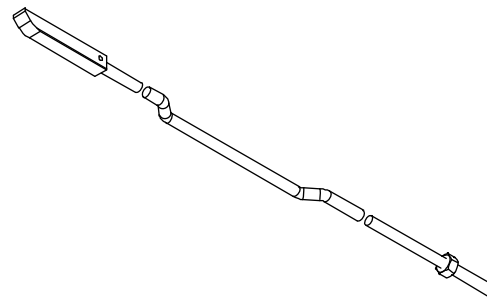
## Micro Switch Assembly

Color	PN
Black	10501824



## Lock Rod, Transmitter Recess, Shoot Bolt

Color	LH PN	RH PN
Brushed Stainless Steel	10501838	10501841



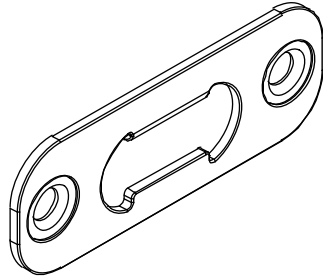
## Strike Plate Kit, Head Jamb/Sill

### Includes:

- 1 - Strike plate
- 2 - Well nuts
- 2 - #8-32 x 1/2" Phillips flat head Stainless Steel screw

NOTE: Well Nuts may not be used in all applications.

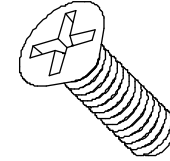
Color	PN
Stainless Steel	11860401



## Fastener, Strike Plate, Sill and Head Jamb

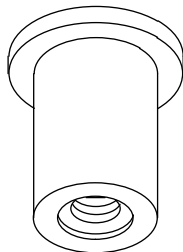
#8-32 x 1/2" machine screws

Color	PN
Stainless Steel	11800847



## Well-Nut Threaded Insert

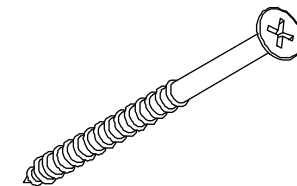
Color	PN
Black	10830008



## Installation Screw Package; Strike Plate(s) at Head Jamb or Locking Jamb

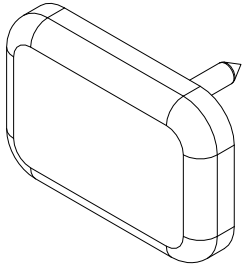
#8 x 2 1/2" Flat Head wood screw

Qty	Color	PN
Package of 2	Stainless Steel	11882349
	Brass PVD	11882343
	Antique Brass	11882347



## Head Jamb Spacer Tack; Stationary Panel

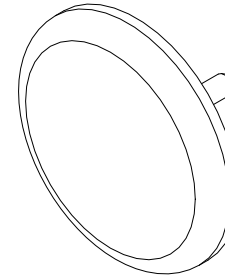
PN
11860424



## Jamb Spacer Tack, Stationary Panel

3/4" Diameter Head

PN
11860423



## Sill Bolt, Stationary Panel

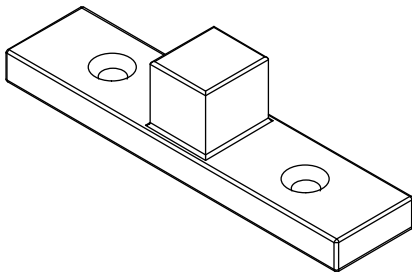
### Includes:

2 - #8 x 3" Phillips flat head wood screws

### Product usage:

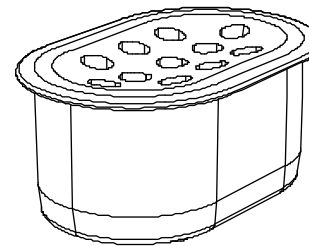
9/25/00 to present

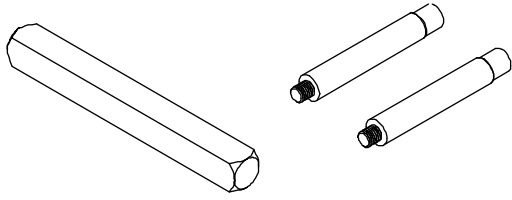
Color	PN
Zinc Die Cast	11101856



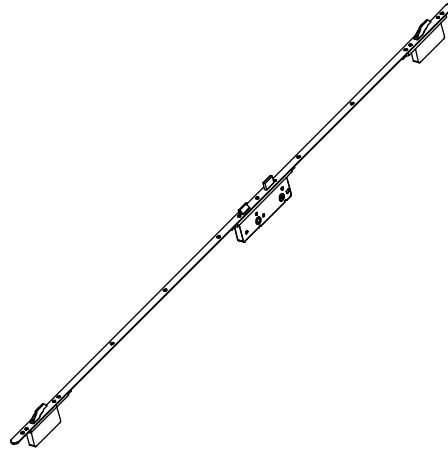
## Drain Plug, Sill

Color	PN
Beige	10500253
Bronze	10500249

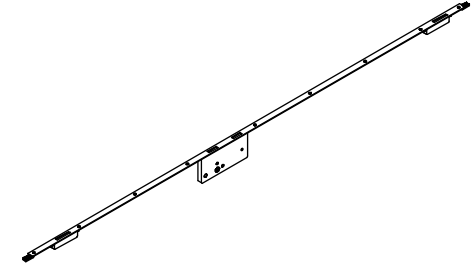




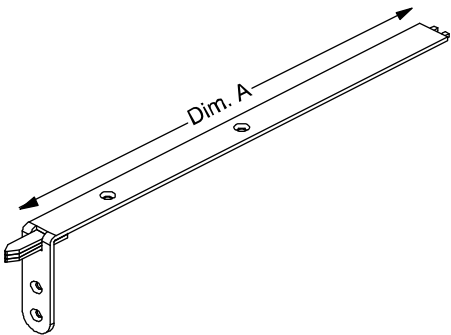
**Spindle Package for Multi-Point Handle  
(Essve) - Pre 2000**  
No Longer Available



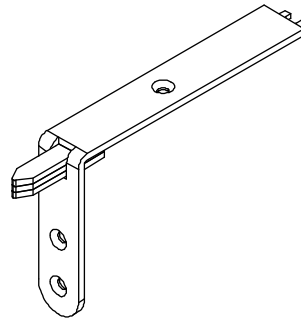
**Active Multi-Point Hardware Assembly  
(Essve) - Pre 2000**  
No Longer Available



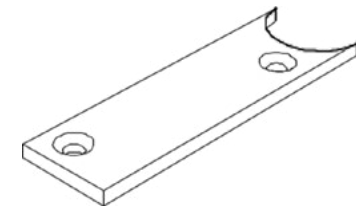
**Inactive Multi-Point Hardware Assembly  
(Essve) - Pre 2000**  
No Longer Available



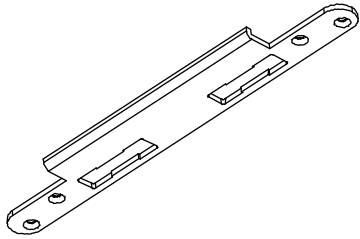
**Multi-Point Top Corner Drive (Essve)  
Pre 2000**  
No Longer Available



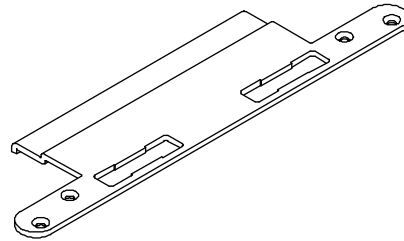
**Multi-Point Bottom Corner Drive (Essve)  
Pre 2000**  
No Longer Available



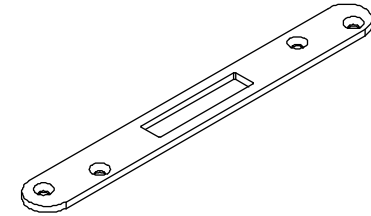
**Corner Drive Filler, Multi-Point Lock (Essve)  
Pre 2000**  
No Longer Available



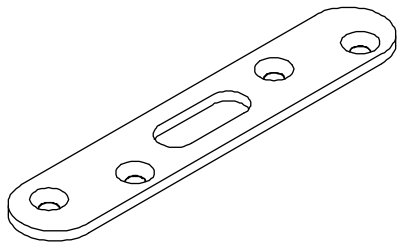
**Jamb Strike, Center, Solid Brass; Multi-Point Lock (Essve) - Pre 2000**  
No longer available.



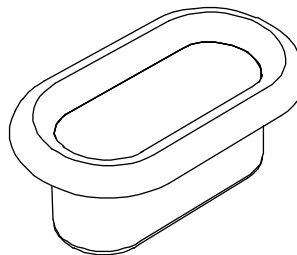
**Jamb Strike, Center, Extended, Solid Brass; Multi-Point Lock (Essve) - Pre 2000**  
No longer available.



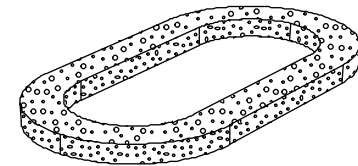
**Jamb Strike, Top or Bottom, Solid Brass; Multi-Point Lock (Essve) - Pre 2000**  
No longer available.



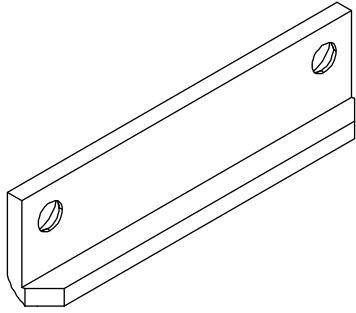
**Strike, Inactive Panel, Head Jamb; Multi-Point Lock (Essve) - Pre 2000**  
No longer available.



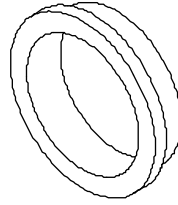
**Corner Drive Sill Receptacle, Solid Brass; Multi-Point Lock (Essve) - Pre 2000**  
No longer available.



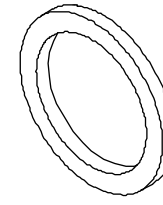
**Sill Receptacle Gasket; Multi-Point Lock**  
No longer available.



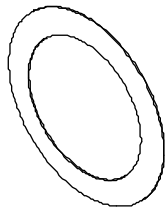
**Astragal Strike Latch; Multi-Point Lock (Essve) - Pre 2000**  
No longer available.



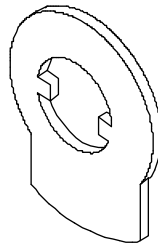
**Lever Washers Pre 2000**  
No longer available.



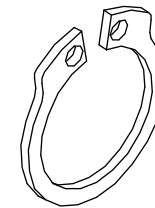
**Lever Spacers Pre 2000**  
No longer available.



**Lever Shims Pre 2000**  
No longer available.

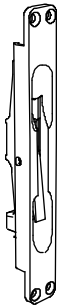


**Dummy Lever Cams Pre 2000**  
No longer available.

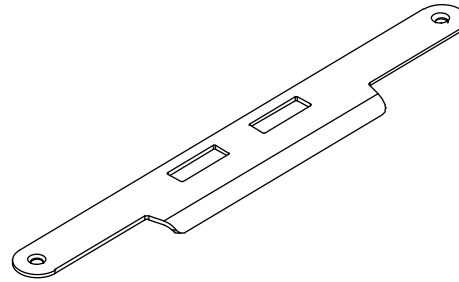


**Snap Rings Pre 2000**  
No longer available.

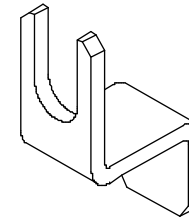




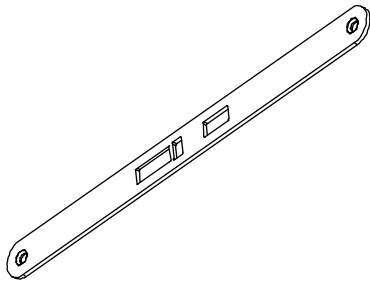
**Inactive Panel Flush Bolt - 9/25/00 - 3/02**  
No longer available.



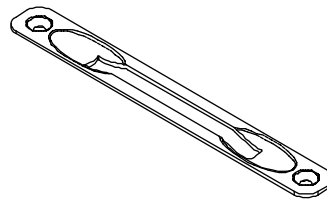
**Strike Plate, Panel - Mortise Lock or Multi-Point Lock 9/25/00 to 3/31/03 (Amerock)**  
No longer available.



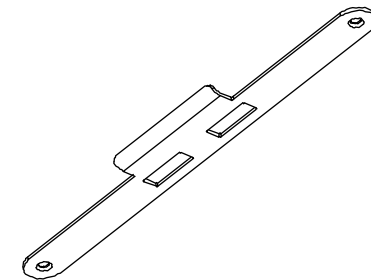
**Stop clip with screws 9/25/00 to present**  
No longer available as individual part -



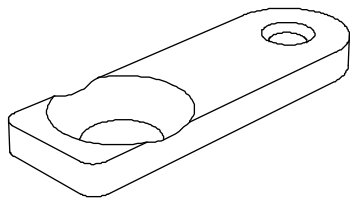
**Cover Plate, Active Panel - Mortise Lock or Multi-Point Lock 1/17/00 to 3/31/03 (Amerock)**  
No longer available.



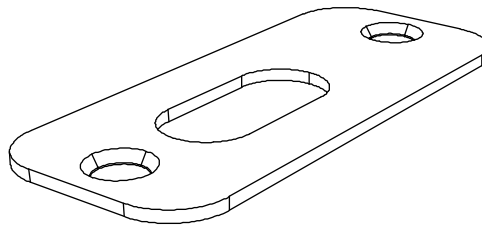
**Cover Plate for Flush Bolt**  
No longer available.



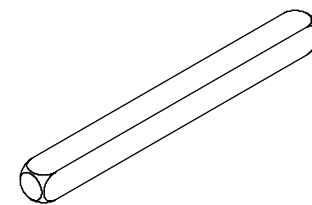
**Strike Plate, Inactive Panel - Mortise Lock or Multi-Point Lock - 9/25/00 - 3/31/03 (Amerock)**  
No longer available.



**Inactive Panel Backset Extension - Head or  
Foot Flush Bolt - 9/25/00 to present**  
No longer available.



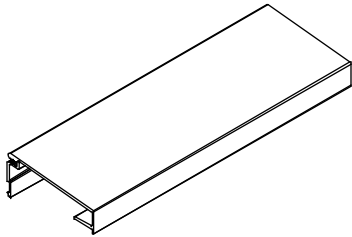
**Strike Plate, Head Jamb or Sill**  
**9/25/00 3/31/03**  
No longer available.



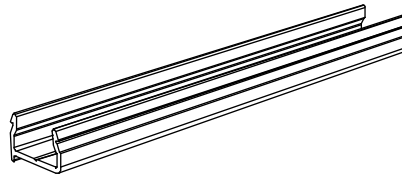
**Spindle - 4 3/16" - Pre 2000**  
No longer available.

**Ordering specifications (use all that apply):**

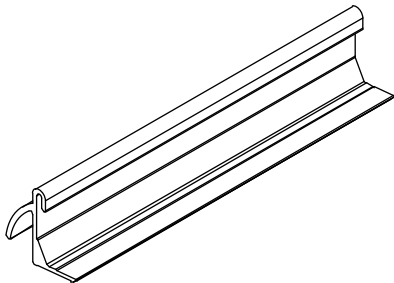
1. Original order/line number;
2. profile number;
3. size (call number or rough opening);
4. length;
5. handing;
6. finish.



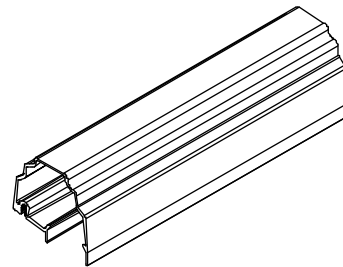
**Head Jamb, Jamb Parting Stop, A1266**



**Mullion Casing Base, A771**



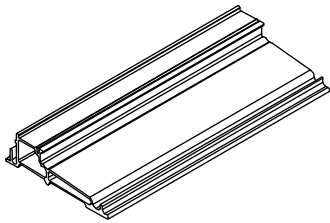
**Hydro-Optimizer, A1251**



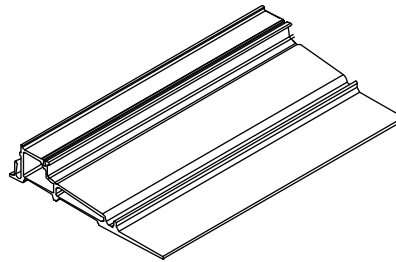
**Astragal Cladding, A772**

**Ordering specifications (use all that apply):**

1. Original order/line number;
2. profile number;
3. size (call number or rough opening);
4. length;
5. handing
6. inswing or outswing;
7. finish.



**Ultrex Sill 4 9/16 Jamb, F256**

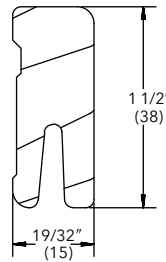


**Ultrex Sill 6 9/16 Jambs, F257**

**Ordering specifications (use all that apply):**

1. Original order number/line number;
2. profile number;
3. rough opening;
4. handing;
  - a. on jamb parting stop specify right or left jamb (viewed from exterior)
5. length;
6. finish.

NOTE: Replacement wood parts are supplied with connecting barb (where applicable).



**Sill Liner (oak), W2528**

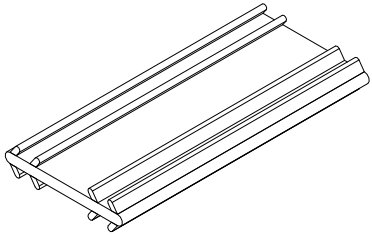
## Connecting Barb

V803

### Product usage:

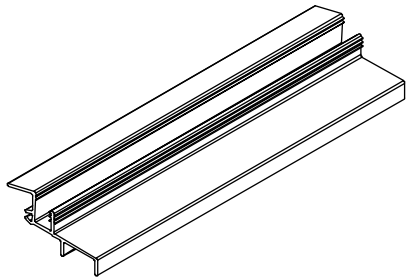
9/25/00 to present

Length	PN
Specify Length	15812999

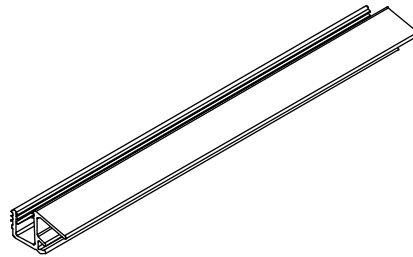


**Ordering specifications (use all that apply):**

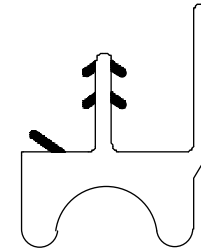
1. Original order/line number
2. profile number;
3. rough opening;
4. handing;
  - a. on jamb parting stop specify right or left jamb (viewed from exterior)
5. length;
6. finish.



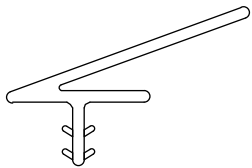
**Stationary Panel Drip/Sill Spacer, V941**



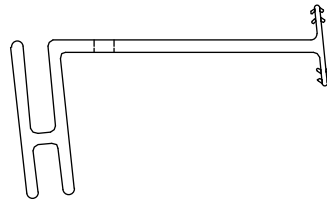
**Panel Drip, V940**



**Panel Drip, V800**



**Sash Retainer, V026**

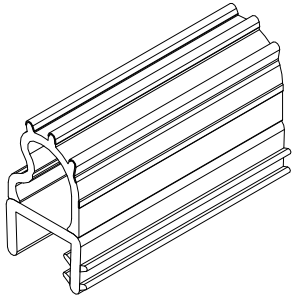


**Sill Leveling Block, V027**

## Flex-Bulb Weather Strip, Sill

V794

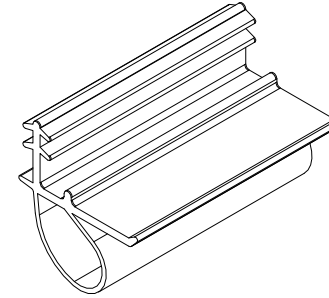
Length	Color	PN
92 3/4"	Beige	15180780
164 3/4"	Beige	15180796
164 3/4"	Black	15180799



## Inactive Panel Stile Center

V780

Length	Color	PN
150"	Beige	15174090
	Black	15174098

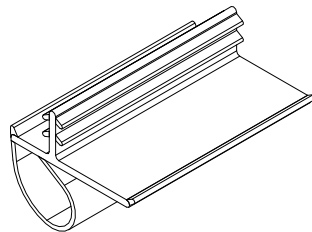


## Offset Bulb Weather Strip

V796

Parting Stop, Frame, Mull Casing, Transom and Astragal

Length	Color	PN
75 43/64"	Beige	15170866
	Black	15170867
104 7/8"	Beige	15170090
	Black	15170091
115 41/64"	Beige	15170810
	Black	15170811
189 11/16"	Beige	15173298
	Black	15173398



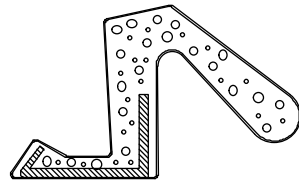
## Dust Block/Pile Jamb or Panel

1" x 1/8" x 3/4", adhesive backed

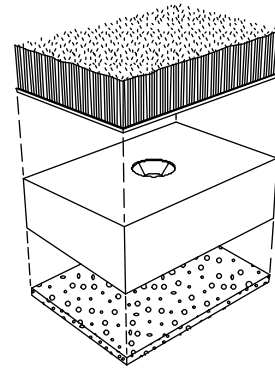
Color	PN
Gray	19061221







**Foam Weather Strip, Frame V650**  
No longer available.



**Sill Dust Block Assembly**  
No longer available.

## When ordering replacement panels, specify:

NOTE: Weather strip is included with all panels (where applicable).

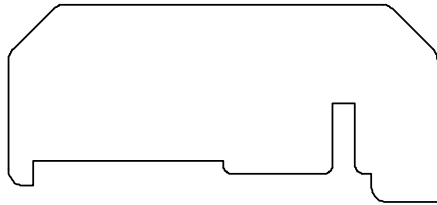
1. OM of panel (NOTE: OM of panel does not include astragal, mull casing);
2. template required for Ultimate Arch Top French door panel prior to 7/14/03
3. Active, Inactive or Stationary;
  - a. Active - specify no lock (no bore), bore for passage latch/dead bolt, single-point mortise lock or multi-point lock.
  - b. Inactive - specify head or foot bolts or multi-point lock.
  - c. Stationary - specify configuration and/or mull casing (if applicable).
  - d. Panel style
4. Handing;
5. Glazing;
6. Finish;
7. Glazing bead profile
  - a. bevel
  - b. square.
    - Active panels include sweep and route for hinges.
    - Inactive panels include sweep, route for hinges, astragal and head and foot bolts.
    - Stationary panels include leveling block.



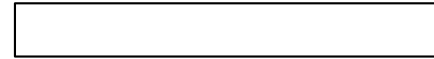
**Ordering specifications (use all that apply):**

1. Original order/line number;
2. profile number;
3. length;
4. handing;
  - a. on jamb filler specify right or left jamb (viewed from exterior)
5. finish.

Ultimate Arch Top French Door 5/98 to present



**W7528 Astragal**

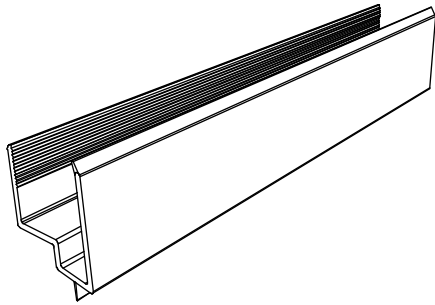


**W6126 Stationary Panel Head Jamb Spacer**

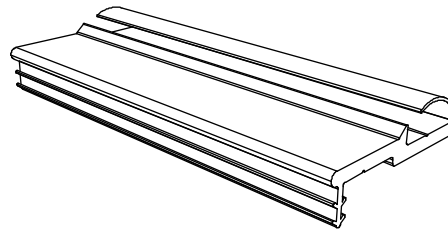
**Ordering specifications (use all that apply):**

1. Original order/line number;
2. profile number;
3. length;
4. handing;
  - a. on jamb filler specify right or left jamb (viewed from exterior)
5. finish.

Ultimate Arch Top French Door 5/98 to present



**V200 Bottom Rail Filler**  
Ultimate Doors from 5/98



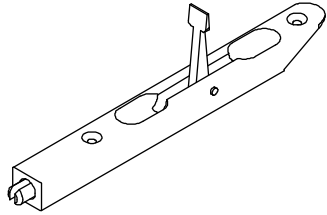
**V822 Astragal Base/Weather Strip - Beige**

## Head or Foot Bolt, Solid Brass

### Includes:

1 - Bolt Assembly

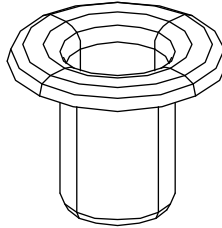
PN
00143068



## Thimble

Head Bolt Receiver

Color	PN
Brass	02540664

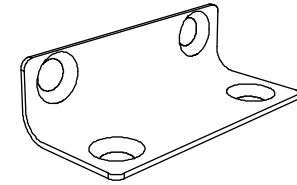


## Stationary Panel Bracket

### Includes:

1 - Stationary panel bracket  
4 - #7 x 3/4" Phillips flat head wood screws

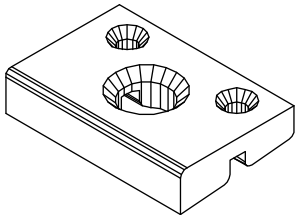
PN
11841000



## 6 9/16" Sill Strike

Foot Bolt receiver - specify prep for combination

Color	PN
Beige	05700031



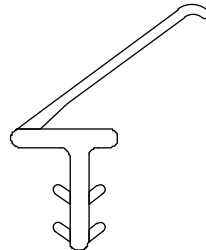
## Drip Cap, Storm Insert

V795

### Product usage:

Inswing French Door 5/98 to present

Length	Color	PN
144"	Beige	NA
	Black	15646069

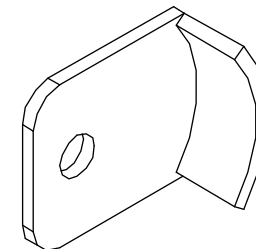


## Keeper, Storm Insert

### Product usage:

Inswing French Door 5/98 to present

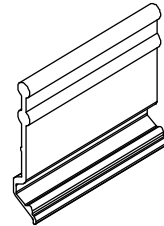
PN
00143062





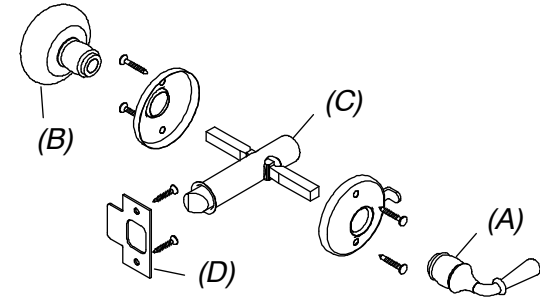
**Leaf Spring, Screen Insert**

Inswing French Door 5/98 to present  
No longer available



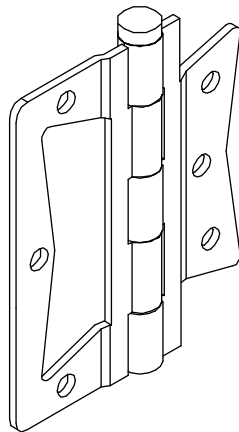
**Finger Pull, Screen Insert**

Inswing French Door 5/98 to present  
No longer available



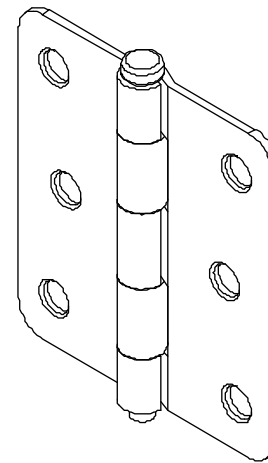
**Handle Package, Solid Brass**

No longer available



**Surface Mount Hinge Pair, Solid Brass**

No longer available



**Hinge, Solid Brass WIAFD**

No longer available