

# Ultimate Sliding Door (3" Stiles)

Unit Features.....	1
Panel Configurations.....	3
Standard Unit Measurements.....	4
Standard Unit Measurements: In-Sash Transom.....	5
Certified Sizes and Ratings.....	6
Minimum and Maximum Guidelines.....	8
Minimum and Maximum Guidelines: Ultimate Direct Glaze Rectangle.....	9
Net Clear Opening.....	10
Measurement Conversions.....	11
Section Details: Hardware Options.....	12
Section Details: Sill Options.....	13
Section Details: Operating (1 3/4" Panels, Standard: Square Interior Glazing Profile).....	14
Section Details: Operating (1 3/4" Panels, Optional: Ogee Interior Glazing Profile).....	15
Section Details: Operating (1 3/4" Panels, Horizontal).....	16
Section Details: Stationary (1 3/4" Panels).....	18
Section Details: Transoms (1 3/4" Panels).....	19
Section Details: Direct Glaze Rectangles (1 3/4" Panels).....	20
Section Details: Transom Mull (1 3/4" Panels).....	21
Section Details: Operating (2 1/4" Panels, Standard: Square Interior Glazing Profile).....	22
Section Details: Operating (2 1/4" Panels, Optional: Ogee Interior Glazing Profile).....	23
Section Details: Operating (2 1/4" Panels, Horizontal).....	24
Section Details: Stationary (2 1/4" Panels).....	26
Section Details: Transoms (2 1/4" Panels).....	27
Section Details: Direct Glaze Rectangles (2 1/4" Panels).....	28
Section Details: Transom Mull (2 1/4" Panels).....	29
IZ3 Section Details: Operating (2 1/4" Panels, Standard: Square Interior Glazing Profile).....	30
IZ3 Section Details: Operating (2 1/4" Panels, Optional: Ogee Interior Glazing Profile).....	31
IZ3 Section Details: Operating (2 1/4" Panels, Horizontal).....	32
IZ3 Section Details: Stationary (2 1/4" Panels).....	34
IZ3 Section Details: Transoms (2 1/4" Panels).....	35
IZ3 Section Details: Direct Glaze Rectangles (2 1/4" Panels).....	36
Section Details: Operating Tripane (2 1/4" Panels, Standard: Square Interior Glazing Profile).....	37
Section Details: Operating Tripane (2 1/4" Panels, Optional: Ogee Interior Glazing Profile).....	38
Section Details: Operating Tripane (2 1/4" Panels, Horizontal).....	39
Section Details: Stationary Tripane (2 1/4" Panels).....	41
Section Details: Transoms Tripane (2 1/4" Panels).....	42
Section Details: Direct Glaze Transoms (1 3/4" Panels).....	43
Section Details: Transom Mull Tripane (2 1/4" Panels).....	44



## Unit Features

### Abbreviations:

- USD: Ultimate Sliding Door (1 3/4" Panels)
- USD2.25: Ultimate Sliding Door (2 1/4" Panels)
- USDTR: Ultimate Sliding Door Transom
- USD2.25 IZ3: Ultimate Sliding Door IZ3 (2 1/4" Panels)

### Wood Species

- Standard: Pine
- Optional: Mixed-Grain Douglas Fir, Vertical Grain Douglas Fir, Honduran Mahogany, Cherry, Oak

### Frame:

- Frame thickness: 1 1/16" (27)
- Jamb Depth:
  - On 1 3/4" panels, 4 9/16" (116)
  - On 2 1/4" panels, 6 9/16" (167)
- Sill
  - Standard: Performance sill
    - Fiberglass reinforced pultruded sill with water shed and weep system
    - Color: Ebony
  - Optional: Accessibility Sill
    - Fiberglass reinforced pultruded sill with water shed and weep system
    - Reduced resistance to air and water infiltration, relative to Standard Performance Sill
    - Reduces standard CN height by 1/2"
    - Color: Ebony
    - Not ADA compliant as delivered.
- Polycarbonate roller track

### Panel:

- Panel thickness: 1 3/4" (44) or 2 1/4" (57)
- Unit assembly:
  - Bottom and top rail are 3" (76) LVL with finger-jointed veneer.
  - Stiles are 3" (76) laminated veneer lumber (LVL) core with non finger-jointed pine veneers
  - All wood species use LVL
  - Interior glazing profile: Square (with Square exterior glazing profile)
    - Optional interior glazing profile: Ogee (with Simulated Putty exterior glazing profile)

### Hardware

- Multi-point lock with two engagement points is standard (keyed)
- Inactive panel on an OXXO - manual head bolt is standard
- Rollers: two adjustable stainless steel roller assemblies per operating panel with two ball bearing wheels per assembly
  - Maximum vertical adjustment: 5/16" (8).

### Handle Sets

- Harp G2 finish options
  - Powder coat finishes: Satin Taupe, White, Dark Bronze, Matte Black
  - Metal finishes: Satin Chrome, Polished Chrome, Antique Brass, Oil Rubbed Bronze
  - PVD finishes: Brass PVD, Oil Rubbed Bronze PVD, Satin Nickel PVD
  - Keyed (keyed alike available) or Non-keyed
- Vertical Pull finish options
  - Powder coat finishes: Dark Bronze, Matte Black
  - PVD finishes: Oil Rubbed Bronze PVD, Satin Nickel PVD
  - Keyed (keyed alike available) or Non-keyed
- Exterior Flush Pull finish options
  - Powder coat finishes: Dark Bronze, Matte Black
  - PVD finishes: Oil Rubbed Bronze PVD, Satin Nickel PVD
  - Non-Keyed
- Gallery Collection Hardware
  - Bouvet
  - Rocky Mountain Hardware
  - Reference [marvin.com](http://marvin.com).

## Unit Features

### Weather Strip:

- Interlock weather strip at meeting stiles
- Side jamb to have two sets of bulb weather strip maintaining contact with door panels
- Continuous slip coat weather strip along sill, head jamb, and meeting stiles
  - Color: black

### Glass and Glazing:

- Door panels: tempered insulating glass, hermetically sealed
- Glazing seal: silicone beading, exterior
- Standard glass: Insulating Dual Pane Low E2 with Argon or Air
- Gas Fill: Air or Argon
- For 1 3/4" panels, Dual-pane insulating glass thickness: 3/4"
- For 2 1/4" panels, Dual-pane insulating glass thickness: 15/16"
- For 2 1/4" panels, Triple pane insulating glass thickness: 1 1/4"
- Insulating Glass Coatings:
  - Low E1
  - Low E2
  - Low E3
  - Low ERS
  - Low ELR
- Bronze, Green, Gray, Reflective Bronze, Obscure, Laminated.
- Decorative glass options: Sandblasted, Glue Chip, Rain, Frost, 1/2 English Reed
- Insulating glass will be altitude adjusted with capillary tubes for higher elevations
- Argon gas is not available for elevations that require capillary tubes

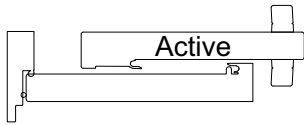
### Screens:

- Optional Ultimate Sliding Screen: extruded aluminum top hung has a roller bar and integral pull
  - Screen surround will match exterior frame clad color
- Screen mesh: Marvin Bright View™
  - Optional material: Charcoal Aluminum Wire, Black Aluminum Wire, Bright Aluminum Wire, Bright Bronze Wire
- Screens adjustable to 1/4" (6)

### Lock Status Sensor (Optional):

- Refer to **Lock Status Sensor Installation Instructions** for requirements.
- To achieve a closed and locked status, the Lock Status Sensor requires that the door must be closed to depress the anti-slam mechanism so that the door can be manually locked. It allows easy integration with home automation systems using a wireless connection.
- Lock Status Sensor are available wireless only.
  - Requires purchase of secondary transmitter for operation. Marvin will prep for this option. Wired connection not available.
- Wireless Lock Status Sensor is located within the operating panel.
- Sensor Location will always be integrated into the locking hardware system.

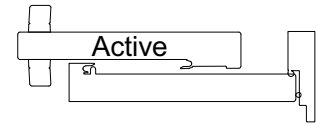
**Panel Configurations**



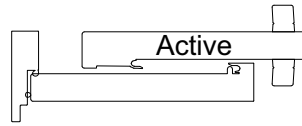
OX - Jamb



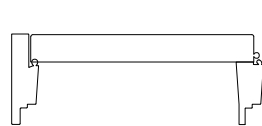
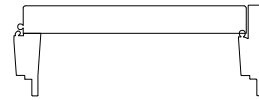
O - Stationary



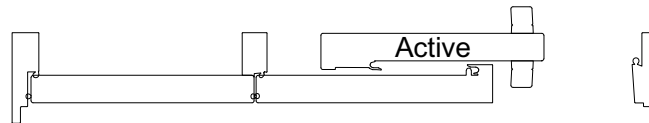
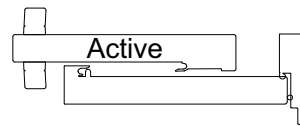
XO - Jamb



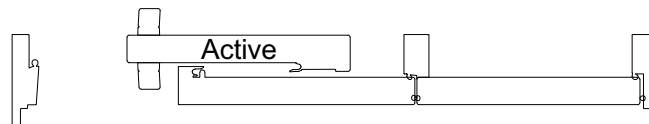
OXO - LH



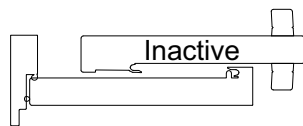
OXO - RH



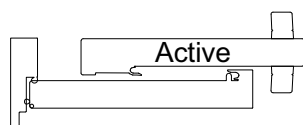
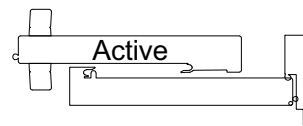
OOX



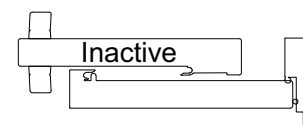
XOO



OXXO - RH



OXO - LH



Standard Unit Measurements

Standard Ultimate Sliding Door (3" Stiles) Unit Measurements													
Width													
Unit Type	CN	Masonry Opening		Rough Opening		Frame Size		Panel OM		Daylight Std Opening		Standard Glass Size	
		ft - in	mm	ft - in	mm	ft - in	mm	ft-in	mm	ft - in	mm	in	mm
1 Panel	2-6R**	2-8 11/16	(830)	2-9 3/16	(843)	2-8 3/16	(817)	2-5 13/16	(757)	1-11 27/32	(605)	2-1 3/32	(637)
	3-0R**	3-2 11/16	(982)	3-3 3/16	(995)	3-2 3/16	(970)	2-11 13/16	(909)	2-5 27/32	(758)	2-7 3/32	(790)
	4-0R**	4-2 11/16	(1287)	4-3 3/16	(1300)	4-2 3/16	(1275)	3-11 13/16	(1214)	3-5 27/32	(1063)	3-7 3/32	(1094)
	2-6	2-9 1/2	(851)	2-10	(863)	2-9	(838)	2-6 5/8	(778)	2-0 21/32	(626)	2-1 57/64	(658)
	3-0	3-3 1/2	(1003)	3-4	(1016)	3-3	(990)	3-0 5/8	(930)	2-6 21/32	(778)	2-7 57/64	(810)
	4-0	4-3 1/2	(1308)	4-4	(1321)	4-3	(1295)	4-0 5/8	(1235)	3-6 21/32	(1083)	3-7 57/64	(1115)
	5-0*	5-3 1/2	(1613)	5-4	(1625)	5-3	(1600)	5-0 5/8	(1540)	4-6 21/32	(1388)	4-7 57/64	(1420)
2 Panel	5-0R**	4-11 1/2	(1511)	5-0	(1524)	4-11	(1499)	2-5 51/64	(757)	1-11 53/64	(605)	2-1 5/64	(637)
	6-0R**	5-11 1/2	(1816)	6-0	(1829)	5-11	(1803)	2-11 51/64	(909)	2-5 53/64	(758)	2-7 5/64	(790)
	8-0R**	7-11 1/2	(2426)	8-0	(2438)	7-11	(2413)	3-11 51/64	(1214)	3-5 53/64	(1063)	3-7 5/64	(1094)
	5-0	5-1 1/8	(1553)	5-1 5/8	(1565)	5-0 5/8	(1540)	2-6 39/64	(778)	2-0 41/64	(626)	2-1 57/64	(658)
	6-0	6-1 1/8	(1857)	6-1 5/8	(1870)	6-0 5/8	(1845)	3-0 39/64	(930)	2-6 41/64	(778)	2-7 57/64	(810)
	6-6R***	6-5 1/2	(1969)	6-6	(1981)	6-5	(1956)	3-2 51/64	(986)	2-8 53/64	(834)	2-10 5/64	(866)
	8-0	8-1 1/8	(2467)	8-1 5/8	(2480)	8-0 5/8	(2454)	4-0 39/64	(1235)	3-6 41/64	(1083)	3-7 57/64	(1115)
10-0*	10-1 1/8	(3077)	10-1 5/8	(3089)	10-0 5/8	(3064)	5-0 39/64	(1540)	4-6 41/64	(1388)	4-7 57/64	(1420)	
3 Panel	7-6R**	7-5 27/64	(2271)	7-5 59/64	(2284)	7-4 59/64	(2259)	2-5 51/64	(757)	1-11 53/64	(605)	2-1 5/64	(637)
	9-0R**	8-11 27/64	(2729)	8-11 59/64	(2741)	8-10 59/64	(2716)	2-11 51/64	(909)	2-5 53/64	(758)	2-7 5/64	(790)
	12-0R**	1-11 27/6	(3643)	1-11 59/6	(3656)	1-10 59/6	(3630)	3-11 51/64	(1214)	3-5 53/64	(1063)	3-7 5/64	(1094)
	7-6	7-7 55/64	(2333)	7-8 23/64	(2346)	7-7 23/64	(2321)	2-6 39/64	(778)	2-0 41/64	(626)	2-1 57/64	(658)
	9-0	9-1 55/64	(2791)	9-2 23/64	(2803)	9-1 23/64	(2778)	3-0 39/64	(930)	2-6 41/64	(778)	2-7 57/64	(810)
	12-0	12-1 55/64	(3705)	12-2 23/64	(3718)	12-1 23/64	(3692)	4-0 39/64	(1235)	3-6 41/64	(1083)	3-7 57/64	(1115)
	15-0*	15-1 55/64	(4619)	15-2 23/64	(4632)	15-1 23/64	(4607)	5-0 39/64	(1540)	4-6 41/64	(1388)	4-7 57/64	(1420)
4 Panel	10-0	9-11 1/2	(3035)	10-0	(3048)	9-11	(3023)	2-6 39/64	(778)	2-0 41/64	(626)	2-1 57/64	(658)
	12-0	11-11 1/2	(3645)	12-0	(3658)	11-11	(3632)	3-0 39/64	(930)	2-6 41/64	(778)	2-7 57/64	(810)
	16-0^	15-11 1/2	(4864)	16-0	(4877)	15-11	(4851)	4-0 39/64	(1235)	3-6 41/64	(1083)	3-7 57/64	(1115)
Height													
Unit Type	CN	Masonry Opening		Rough Opening		Frame Size		Panel OM		Daylight Std Opening		Standard Glass Size	
		ft - in	mm	ft - in	mm	ft - in	mm	ft-in	mm	ft - in	mm	in	mm
All Configurations	6-6R**	6-7 3/4	(2026)	6-8	(2032)	6-7 1/2	(2019)	6-4 39/64	(1946)	5-7 7/64	(1705)	5-11 55/64	(1825)
	6-8	6-10 1/4	(2089)	6-10 1/2	(2096)	6-10	(2083)	6-7 7/64	(2009)	5-9 39/64	(1768)	6-2 23/64	(1889)
	7-0*	7-2 1/4	(2191)	7-2 1/2	(2197)	7-2	(2184)	6-11 7/64	(2111)	6-1 39/64	(1870)	6-6 23/64	(1990)
	8-0	8-2 1/4	(2496)	8-2 1/2	(2502)	8-2	(2489)	7-11 7/64	(2416)	7-1 39/64	(2175)	7-6 23/64	(2295)
	9-0*	9-2 1/4	(2800)	9-2 1/2	(2807)	9-2	(2794)	8-11 7/64	(2721)	8-1 39/64	(2479)	8-6 23/64	(2600)
	10-0*	10-2 1/4	(3105)	10-2 1/2	(3112)	10-2	(3099)	9-11 7/64	(3025)	9-1 39/64	(2784)	9-6 23/64	(2905)

\* 2 1/4" panels only. Configurations using CN5-0 width panels are not available above a CN8-0 height.

\*\* Retro sizes are 1 3/4" panels only.

\*\*\* Available in CN6-8 height only.

^CN16-0 width is available up to CN8-0 height.

Standard Unit Measurements: In-Sash Transom

Standard In-Sash Transom Unit Measurements													
Width													
Unit Type	Call Number	Masonry Opening		Rough Opening		Frame Size		Sash OM		Daylight Opening		Glass Size	
		ft - in	mm	ft - in	mm	ft - in	mm	ft-in	mm	ft - in	mm	ft-in	mm
Above O	2-6	2-9 1/2	(851)	2-10	(863)	2-9	(838)	2-6 5/8	(778)	2-0 41/64	(626)	2-1 57/64	(658)
	3-0	3-3 1/2	(1003)	3-4	(1016)	3-3	(990)	3-0 5/8	(930)	2-6 41/64	(778)	2-7 57/64	(810)
	4-0	4-3 1/2	(1308)	4-4	(1321)	4-3	(1295)	4-0 5/8	(1235)	3-6 41/64	(1083)	3-7 57/64	(1115)
	5-0	5-3 1/2	(1613)	5-4	(1625)	5-3	(1600)	5-0 5/8	(1540)	4-6 41/64	(1388)	4-7 57/64	(1420)
Above OX and Above XO	5-0	0.00	(1553)	5-1 5/8	(1565)	5-0 5/8	(1540)	4-10 1/4	(1480)	4-4 9/32	(1328)	4-5 17/32	(1360)
	6-0	6-1 1/8	(1857)	6-1 5/8	(1870)	6-0 5/8	(1845)	5-10 1/4	(1784)	5-4 9/32	(1633)	5-5 17/32	(1664)
	7-0	8-1 1/8	(2467)	8-1 5/8	(2480)	8-0 5/8	(2454)	7-10 1/4	(2394)	7-4 9/32	(2242)	7-5 17/32	(2274)
Above XOO, Above OOX and Above OXO	7-6	7-7 55/64	(2333)	7-8 23/64	(2346)	7-7 23/64	(2321)	4-10 1/4	(1480)	4-4 9/32	(1328)	4-5 17/32	(1360)
	9-0	9-1 55/64	(2791)	9-2 23/64	(2803)	9-1 23/64	(2778)	5-10 1/4	(1784)	5-4 9/32	(1633)	5-5 17/32	(1664)
	12-0	12-1 55/64	(3705)	12-2 23/64	(3718)	12-1 23/64	(3692)	7-10 1/4	(2394)	7-4 9/32	(2242)	7-5 17/32	(2274)
Above OXXO	10-0	9-11 1/2	(3035)	10-0	(3048)	9-11	(3023)	4-10 1/4	(1480)	4-4 9/32	(1328)	4-5 17/32	(1360)
	12-0	11-11 1/2	(3645)	12-0	(3658)	11-11	(3632)	5-10 1/4	(1784)	5-4 9/32	(1633)	5-5 17/32	(1664)
	16-0	15-11 1/2	(4864)	16-0	(4877)	15-11	(4851)	7-10 1/4	(2394)	7-4 9/32	(2242)	7-5 17/32	(2274)
Height													
Unit Type	Call Number	Masonry Opening		Rough Opening		Frame Size		Sash OM		Daylight Opening		Glass Size	
		ft - in	mm	ft - in	mm	ft - in	mm	ft-in	mm	ft - in	mm	ft - in	mm
All Configurations	1-6	1-6 1/4	(464)	1-6 1/2	(470)	1-6	(457)	1-3 5/8	(397)	1-0 13/64	(310)	1-1 29/64	(342)
	2-0	2-0 1/4	(616)	2-0 1/2	(622)	2-0	(610)	1-9 5/8	(549)	1-6 13/64	(462)	1-7 29/64	(494)
	2-6	2-6 1/4	(768)	2-6 1/2	(775)	2-6	(762)	2-3 5/8	(702)	2-0 13/64	(615)	2-1 29/64	(647)

NOTE: In-sash transoms wanting to match DLO of 2-wide units will use simulated stiles and astragal.  
 Transoms use 1 3/4" panels, unless Transom contains tripane glass.

**Certified Sizes and Ratings**

Product	Air Tested to psf	Water Tested to psf	Structural Tested to psf	Certification Rating	Design Pressure (DP)	Overall Width		Overall Height		Applicable Configurations
						in	mm	in	mm	
Ultimate Sliding Door 12068 OOX	1.57	6	60	LC-PG40	40	145.367	(3692)	82	(2083)	OOX, XOO
Ultimate Sliding Door 12068 OXO	1.57	6	60	LC-PG40	40	145.367	(3692)	98	(2489)	OXO
Ultimate Sliding Door 12080 OOX	1.57	4.5	30	LC-PG30	30	145.367	(3692)	82	(2083)	OOX, XOO
Ultimate Sliding Door 12080 OXO	1.57	4.5	30	LC-PG30	30	145.367	(3692)	98	(2489)	OXO
Ultimate Sliding Door 16068 OXXO	1.57	3.75	25	LC-PG25	25	191	(4851)	82	(2083)	OXXO
Ultimate Sliding Door 12080 OXXO	1.57	3.75	25	LC-PG25	25	143	(3632)	98	(2489)	OXXO
Ultimate Sliding Door 8080 OX	1.57	4.5	45	LC-PG30	30	96.625	(2454)	98	(2489)	OX, XO
Ultimate Sliding Door 8068 OX	1.57	6	60	LC-PG40	40	96.625	(2454)	98	(2489)	OX, XO
Ultimate Sliding Door2.25 10080 OX	1.57	6	60	LC-PG40	40	120.625	(3064)	98	(2489)	OX, XO
Ultimate Sliding Door2.25 8080 OX, XO	1.57	7.5	75	LC-PG50	50	96.625	(2454)	98	(2489)	OX, XO
Ultimate Sliding Door2.25 60100 OX	1.57	4.5	45	LC-PG30	30	72.625	(1845)	122	(3099)	OX, XO
Ultimate Sliding Door2.25 90100 OXO	1.57	4.5	45	LC-PG30	30	109.367	(2778)	122	(3099)	OXO
Ultimate Sliding Door2.25 90100 OOX	1.57	4.5	45	LC-PG30	30	109.367	(2778)	122	(3099)	OOX, XOO
Ultimate Sliding Door2.25 15080 OOX	1.57	6	60	LC-PG40	40	181.367	(4607)	98	(2489)	OOX, XOO
Ultimate Sliding Door2.25 15080 OXO	1.57	6	60	LC-PG40	40	181.367	(4607)	98	(2489)	OXO
Ultimate Sliding Door2.25 120100 OXXO	1.57	4.5	45	LC-PG30	30	143	(3632)	122	(3099)	OXXO
Ultimate Sliding Door2.25 12080 OXXO	1.57	6	60	LC-PG40	40	143	(3632)	98	(2489)	OXXO
Ultimate Sliding Door2.25 16080 OXXO	1.57	4.5	45	LC-PG30	30	191	(4851)	98	(2489)	OXXO
Ultimate Sliding Door Transom 8026 (O)	1.57	6	60	LC-PG40	40	96.625	(2454)	30	(762)	O
Ultimate Sliding Door Transom 160026 (OO)	1.57	6	60	LC-PG40	40	191	(4851)	30	(762)	OO
Ultimate Sliding Door2.25 12080 OXXO HP	1.57	7.5	75	LC-PG50	50	143	(3632)	98	(2489)	OXXO, XOO, OOX, OXO, XO, OX



**Certified Sizes and Ratings**

IZ3 Products										
Product	Air Tested to psf	Water Tested to psf	Structural Tested to psf	Certification Rating	Design Pressure (DP)	Overall Width		Overall Height		Applicable Configurations
						in	mm	in	mm	
Ultimate Sliding Door2.25 8080 OX, XO IZ3	1.57	9.75	97.5	LC-PG65	65	96.625	(2454)	98	(2489)	OX, XO
Ultimate Sliding Door2.25 12080 OXXO IZ3	1.57	8.3	82.5/-82.5	LC-PG55	55	143	(3632)	98	(2489)	OXXO, XOO, OOX, OXO, XO, OX
Ultimate Sliding Door2.25 8080 OX, XO IZ3	1.57	9.75	97.5	LC-PG65	65	72.625	(1845)	98	(2489)	OX, XO

Accessibility Sill										
Product	Air Tested to psf	Water Tested to psf	Structural Tested to psf	Certification Rating	Design Pressure (DP)	Overall Width		Overall Height		Applicable Configurations
						in	mm	in	mm	
Ultimate Sliding Door 16068 OXXO	1.57	3.75	25	LC-PG25	25	191	(4851)	82	(2083)	OXXO
Ultimate Sliding Door 12080 OXXO	1.57	3.75	25	LC-PG25	25	143	(3632)	98	(2489)	OXXO
Ultimate Sliding Door 12080 OOX	1.57	3.75	25	LC-PG25	25	145.367	(3692)	82	(2083)	OOX, XOO, XO, OX, O
Ultimate Sliding Door 12080 OXO	1.57	3.75	25	LC-PG25	25	145.367	(3692)	98	(2489)	OXO, OX, XO, O
Ultimate Sliding Door2.25 15080 OOX	1.57	3.75	25	LC-PG25	25	181.367	(4607)	98	(2489)	OOX, XOO
Ultimate Sliding Door2.25 15080 OXO	1.57	3.75	25	LC-PG25	25	181.367	(4607)	98	(2489)	OXO, OX, XO, O
Ultimate SlidingDoor2.25 120100 OXXO	1.57	3.75	25	LC-PG25	25	143	(3632)	122	(3099)	OXXO

**Minimum and Maximum Guidelines**

**Ultimate Sliding Door**

Unit Type		Min Frame Size				Max Frame Size			
		Width		Height		Width		Height	
		in	mm	in	mm	in	mm	in	mm
Stationary	1 3/4" Panels	16 11/32	(415)	23 7/8	(606)	51 7/8	(1318)	98	(2489)
Stationary	2 1/4" Panels	16 11/32	(415)	23 7/8	(606)	43 7/16	(1103)	122	(3099)
Stationary	2 1/4" Panels	16 11/32	(415)	23 7/8	(606)	63 7/8	(1622)	98	(2489)
2 Panel	1 3/4" Panels	59	(1499)	70 1/2	(1791)	96 5/8	(2454)	98	(2489)
2 Panel	2 1/4" Panels	59	(1499)	70 1/2	(1791)	72 5/8	(1845)	122	(3099)
2 Panel	2 1/4" Panels	59	(1499)	70 1/2	(1791)	120 5/8	(3064)	98	(2489)
3 Panel	1 3/4" Panels	88 59/64	(2259)	70 1/2	(1791)	145 23/64	(3692)	98	(2489)
3 Panel	2 1/4" Panels	88 59/64	(2259)	70 1/2	(1791)	109 23/64	(2778)	122	(3099)
3 Panel	2 1/4" Panels	88 59/64	(2259)	70 1/2	(1791)	181 23/64	(4607)	98	(2489)
4 panel	1 3/4" Panels	115 3/4	(2940)	70 1/2	(1791)	143	(3632)	98	(2489)
4 panel	1 3/4" Panels	115 3/4	(2940)	70 1/2	(1791)	191	(4851)	82	(2083)
4 panel	2 1/4" Panels	115 3/4	(2940)	70 1/2	(1791)	143	(3632)	122	(3099)
4 Panel	2 1/4" Panels	115 3/4	(2940)	70 1/2	(1791)	191	(4851)	98	(2489)

**Ultimate Sliding Door Transom**

Unit Type		Min Frame Size				Max Frame Size			
		Width		Height		Width		Height	
		in	mm	in	mm	in	mm	in	mm
Above O, Above OX, Above XO	Factory/Field Muller	16 11/32	(415)	11 3/8	(289)	84 5/8	(2149)	50 3/8	(1280)
	Stand Alone	16 11/32	(415)	11 3/8	(289)	96 5/8	(2454)	50 3/8	(1280)
Above OOX, Above XOO, Above OXO	Factory/Field Muller	41 27/64	(1052)	11 3/8	(289)	84 5/8	(2149)	50 3/8	(1280)
	Stand Alone	41 27/64	(1052)	11 3/8	(289)	145 23/64	(3692)	50 3/8	(1280)
Above OXXO	Factory/Field Muller	33 11/64	(843)	11 3/8	(289)	84 5/8	(2149)	50 3/8	(1280)
	Stand Alone	33 11/64	(843)	11 3/8	(289)	191	(4851)	50 3/8	(1280)

**.I23 Ultimate Sliding Door**

Unit Type		Min Frame Size				Max Frame Size			
		Width		Height		Width		Height	
		in	mm	in	mm	in	mm	in	mm
Stationary	2 1/4" Panels	16 11/32	(415)	23 7/8	(606)	51 7/8	(1318)	98	(2489)
2 Panel	2 1/4" Panels	59	(1499)	70 1/2	(1791)	96 5/8	(2454)	98	(2489)
3 Panel	2 1/4" Panels	88 59/64	(2259)	70 1/2	(1791)	109 23/64	(2778)	98	(2489)
4 Panel	2 1/4" Panels	115 3/4	(2940)	70 1/2	(1791)	143	(3632)	98	(2489)

**Ultimate Sliding Door I23 Transom**

Unit Type		Min Frame Size				Max Frame Size			
		Width		Height		Width		Height	
		in	mm	in	mm	in	mm	in	mm
Above O, Above OX, Above XO	Stand Alone	16 11/32	(415)	11 3/8	(289)	96 5/8	(2454)	30	(762)

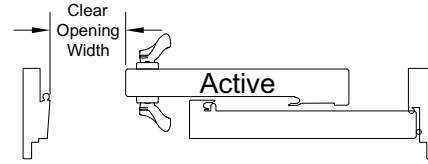
**Minimum and Maximum Guidelines: Ultimate Direct Glaze Rectangle**

Minimum Frame Size - Direct Glaze Polygon							
Unit Type		Frame Size				Minimum Short Leg	
		Min Width		Min Height			
		in	mm	in	mm	in	mm
Insulating Glass	P3	23	(584)	23 1/2	(597)	6	(152)
	P4	15	(381)	15 1/2	(394)	6	(152)
	P5	15	(381)	15 1/2	(394)	6	(152)
	P6	15	(381)	15 1/2	(394)	6	(152)
	P8	15	(381)	15 1/2	(394)	6	(152)

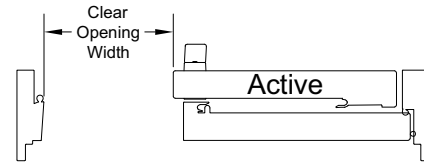
Maximum Guidelines Ultimate Direct Glaze Rectangles				
Unit Type	Max Width		Max Height	
Insulating Glass	Certified Frame Size			
	84	(2134)	97	(2464)
	97	(2464)	84	(2134)
	Non-Certified Frame Size			
	145 9/16	(3697)	63 15/16	(1624)
	107 3/4	(2737)	86 1/16	(2186)
	86 1/16	(2186)	107 3/4	(2737)
	63 15/16	(1624)	145 9/16	(3697)

**Net Clear Opening**

Net Clear Opening USD and USD2.25					
Width					
Unit Type	Call Number	Net Clear Openings		with Exterior Flush Pull	
		ft-in	mm	ft-in	mm
OX or XO	50R	21.933	(557)	25.380	(645)
	60R	27.933	(709)	31.380	(797)
	80R	39.933	(1014)	43.380	(1102)
	50	22.745	(578)	26.192	(665)
	60	28.745	(730)	32.192	(818)
	80	40.745	(1035)	44.192	(1122)
	100	52.745	(1340)	56.192	(1427)
OOX or XOO	7-6R	21.711	(551)	25.158	(639)
	9-0R	27.711	(704)	31.158	(791)
	12-0R	39.711	(1009)	43.158	(1096)
	76	22.524	(572)	25.971	(660)
	90	28.524	(725)	31.971	(812)
	120	40.524	(1029)	43.971	(1117)
	150	52.524	(1334)	55.971	(1422)
OXO	7-6R	21.912	(557)	25.359	(644)
	9-0R	27.912	(709)	31.359	(797)
	12-0R	39.912	(1014)	43.359	(1101)
	76	22.725	(577)	26.172	(665)
	90	28.725	(730)	32.172	(817)
	120	40.725	(1034)	44.172	(1122)
	150	52.725	(1339)	56.172	(1427)
OXXO Active Panel only	100	22.726	(577)	26.173	(665)
	120	28.726	(730)	32.173	(817)
	160	40.726	(1034)	44.173	(1122)
OXXO Both Panels	100	46.050	(1170)	52.944	(1345)
	120	58.050	(1474)	64.944	(1650)
	160	82.050	(2084)	88.944	(2259)
Height					
Unit Type	Call Number	Net Clear Openings			
		ft - in	mm		
All Configurations	6-6	75.881	(1926)		
	6-8	78.381	(1990)		
	7-0	82.381	(2091)		
	8-0	94.381	(2333)		
	9-0	106.381	(2638)		
	10-0	118.381	(3007)		



XO - Clear Opening Width Harp Handles



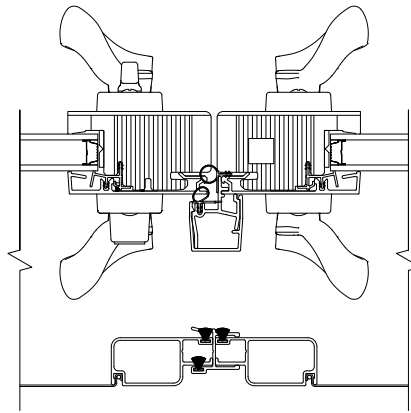
XO - Clear Opening Width Interior Vertical With Exterior Flush Pull Handles

Measurement Conversions

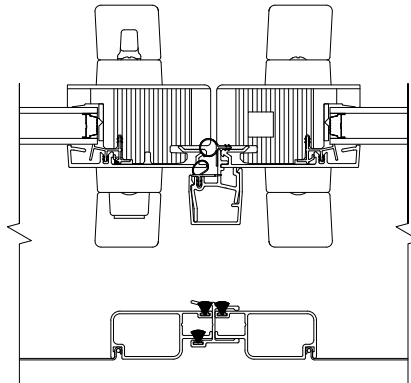
Unit Measurements		Width (1W)				Width (2W)				Width (3W)				Width (4W)				Height		
From	To	in	mm			in	mm			in	mm			in	mm			in	mm	
<b>OM of Frame</b>																				
OM of Frame	Rough Opening	+ 1	(25)			+ 1	(25)			+ 1	(25)			+ 1	(25)			+ 1/2	(13)	
Masonry Opening	Rough Opening	+ 1/2	(13)			+ 1/2	(13)			+ 1/2	(13)			+ 1/2	(13)			+ 1/4	(06)	
Masonry Opening w/BMC	Rough Opening	-2 1/8	(54)			-2 1/8	(54)			-2 1/8	(54)			-2 1/8	(54)			-1 1/16	(27)	
Masonry Opening w/Flat Casing	Rough Opening	-5 1/2	(140)			-5 1/2	(140)			-5 1/2	(140)			-5 1/2	(140)			-2 3/4	(70)	
<b>Operating Panel - Standard Sill</b>																				
OM of Frame USFD G2	OM of Panel	-2.376	(60)			+2.539	(64)	+ 2		+2.234	(57)	+ 3		+6.968	(177)	+ 4		-2.888	(73)	
OM of Frame USD	OM of Panel	-2.376	(60)			+0.609	(15)	+ 2		+0.484	(12)	+ 3		+3.468	(88)	+ 4		-2.888	(73)	
Daylight Opening USFD G2	OM of Panel	+ 9 15/32	(240)			+ 9 15/32	(240)			+ 9 15/32	(240)			+ 9 15/32	(240)			+ 12 7/8	(327)	
Daylight Opening USD	OM of Panel	+ 5 31/32	(152)			+ 5 31/32	(152)			+ 5 31/32	(152)			+ 5 31/32	(152)			+ 5 31/32	(152)	
<b>Glass</b>																				
Daylight Opening	Glass	+ 1 1/4	(32)			+ 1 9/32	(33)			+ 1 5/16	(33)			+ 1 5/16	(33)			+ 1 5/16	(33)	
Panel OM USD	Glass	-2.74	(70)			-2.74	(70)			-2.74	(70)			-2.74	(70)			-2.74	(70)	
Panel OM USFD G2	Glass	-8.22	(209)			-8.22	(209)			-8.22	(209)			-8.22	(209)			-11.627	(295)	
Panel OM USFD G2 4 3/4 btm rail	Glass	-8.22	(209)			-8.22	(209)			-8.22	(209)			-8.22	(209)			-8.252	(210)	

**Section Details: Hardware Options**

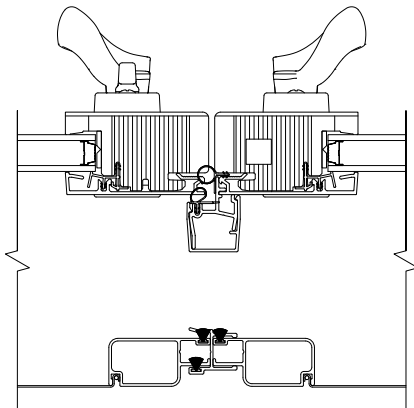
Scale: 3" = 1' 0"



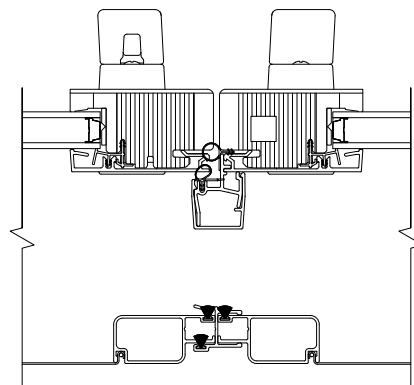
Harp G2 Handle (Keyed)



Vertical Pull (Keyed)



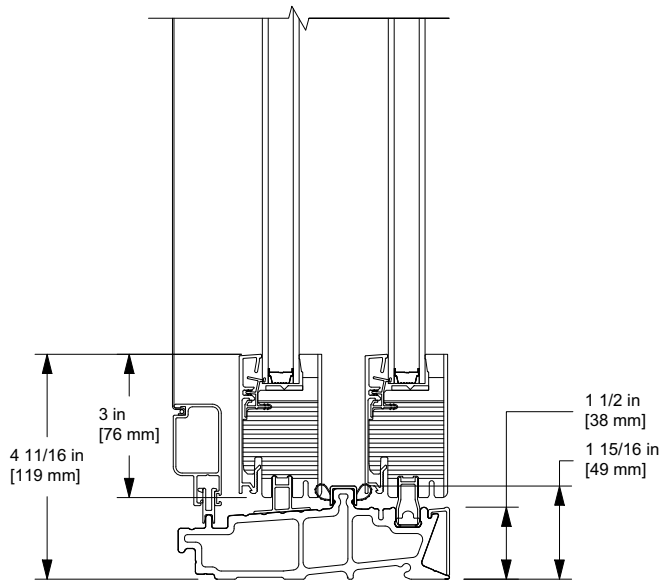
Exterior Flush Handle w/Harp G2 Handle



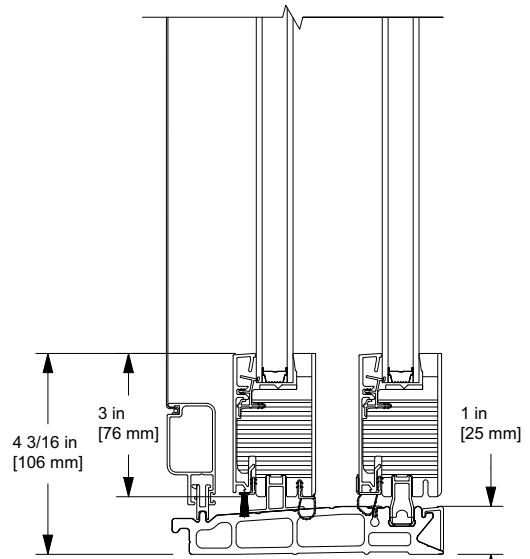
Exterior Flush Handle w/Vertical Pull

**Section Details: Sill Options**

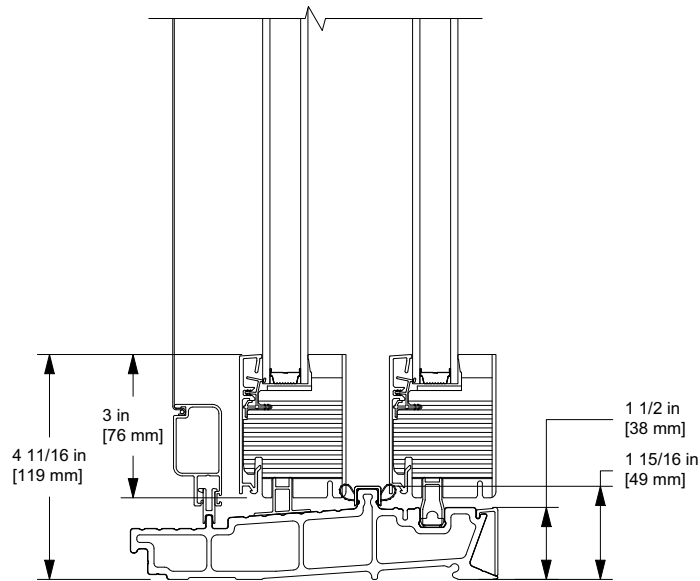
Scale: 3" = 1' 0"



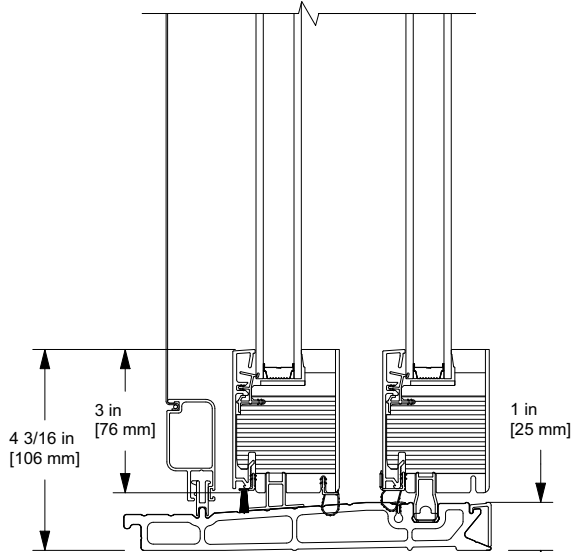
**Performance Sill**  
4 9/16 inch Jamb



**Accessibility Sill**  
4 9/16 inch Jamb



**Performance Sill**  
6 9/16 inch Jamb

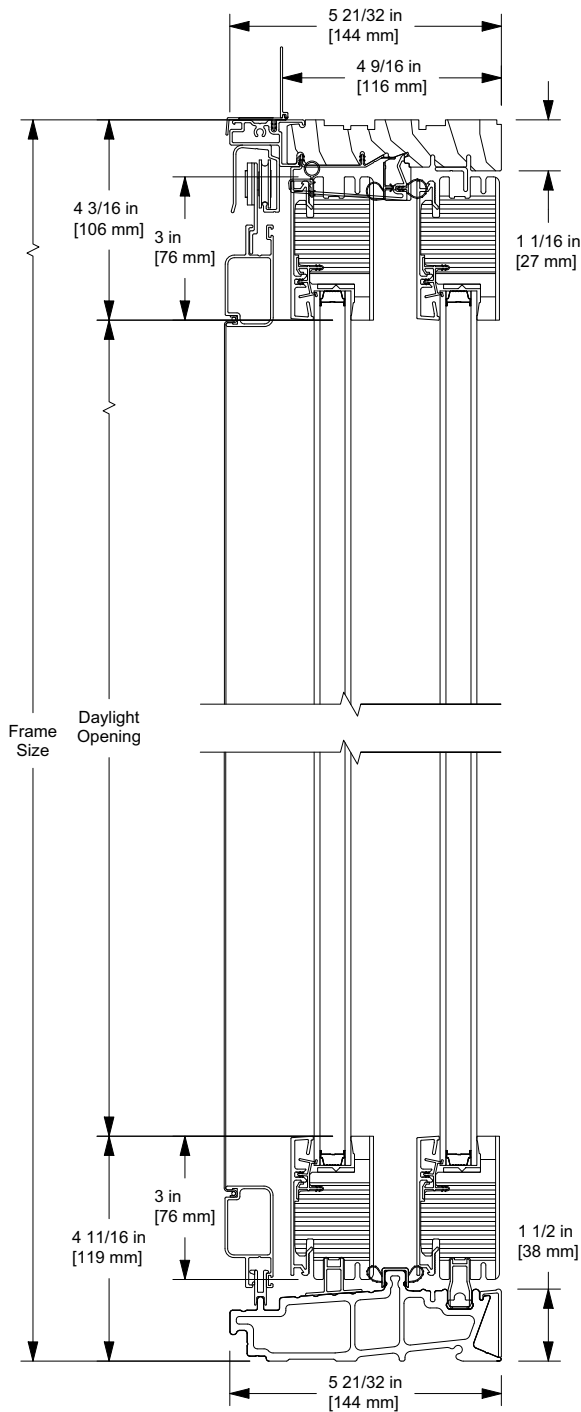


**Accessibility Sill**  
6 9/16 inch Jamb


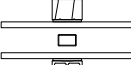








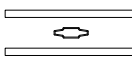
*NOTE: Following section details show the Performance Sill, however, each detail is available with the Accessibility Sill.  
The Accessibility Sill is not ADA compliant as delivered.  
Not available with IZ3.*

**Section Details: Operating (1 3/4" Panels, Standard: Square Interior Glazing Profile)**

Scale: 3" = 1' 0"



**Standard Rails**  
 Top Rail: 3 inch  
 Bottom Rail: 3 inch  
 Interior: Square  
 Exterior: Square

Square Interior and Exterior Divided Lites		
SDL	No Spacer Bar	with Spacer Bar
5/8 in [16 mm]		
7/8 in [22 mm]		
1 1/8 in [29 mm]		
1 15/16 in [49 mm]		
3 in [76 mm] *		
GBG		
23/32 [18 mm]		

\* 3 inch Available for Transom Simulated Stiles Only

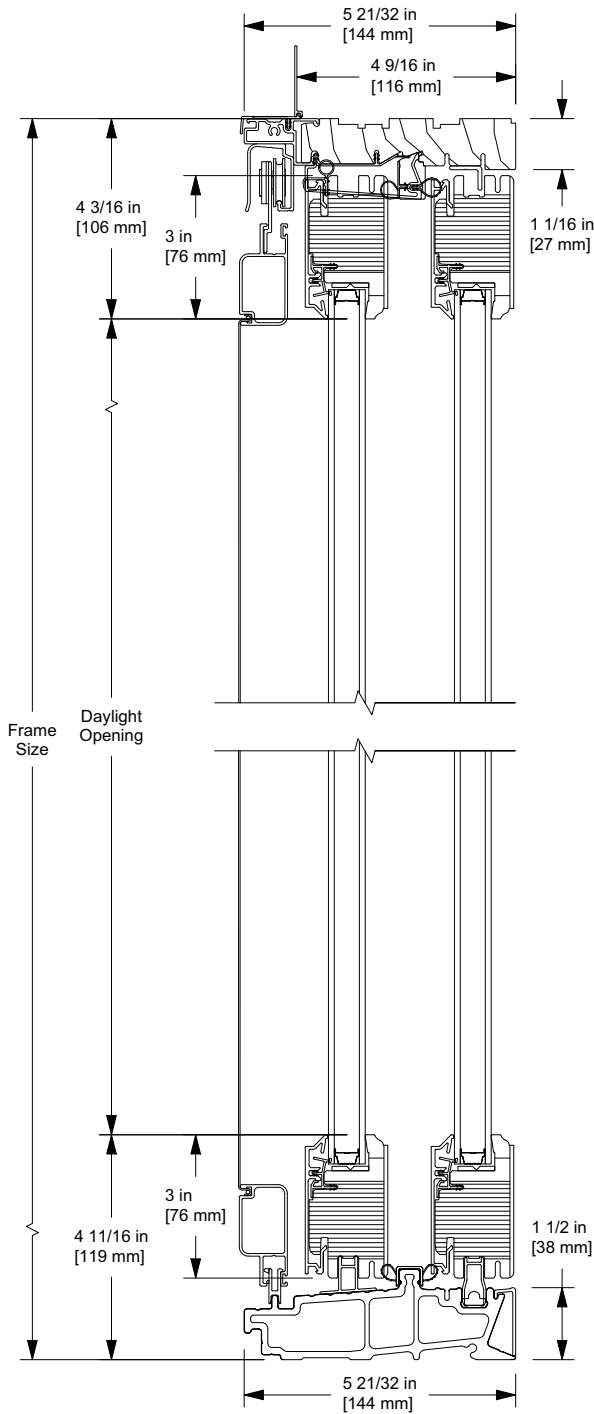
NOTE: Due to the inherent qualities of tempered glass, daylight gaps may be seen when using simulated divided lite bars. Daylight gaps could be visible between the internal spacer bar and surface applied bars when viewing from an acute angle to the glass on the following applications:

- Tempered glass over 72" high while using 5/8" SDL bars
- Tempered glass over 91" high while using 7/8" SDL bars.

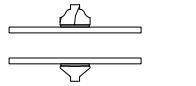
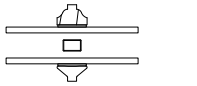
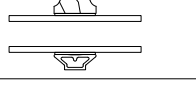
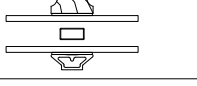
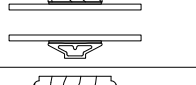
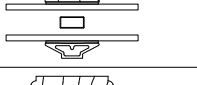
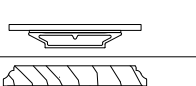
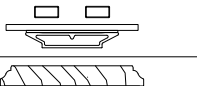
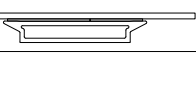
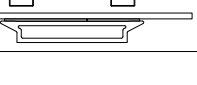
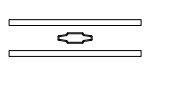


**Section Details: Operating (1 3/4" Panels, Optional: Ogee Interior Glazing Profile)**

Scale: 3" = 1' 0"



**Optional Rails**  
Top Rail: 3 inch  
Bottom Rail: 3 inch  
Interior: Ogee  
Exterior: Simulated Putty

Ogee Interior and Simulated Putty Exterior Divided Lites		
SDL	No Spacer Bar	with Spacer Bar
5/8 in [16 mm]		
7/8 in [22 mm]		
1 1/8 in [29 mm]		
1 15/16 in [49 mm]		
3 in [76 mm] *		
GBG		
23/32 in [18 mm]		

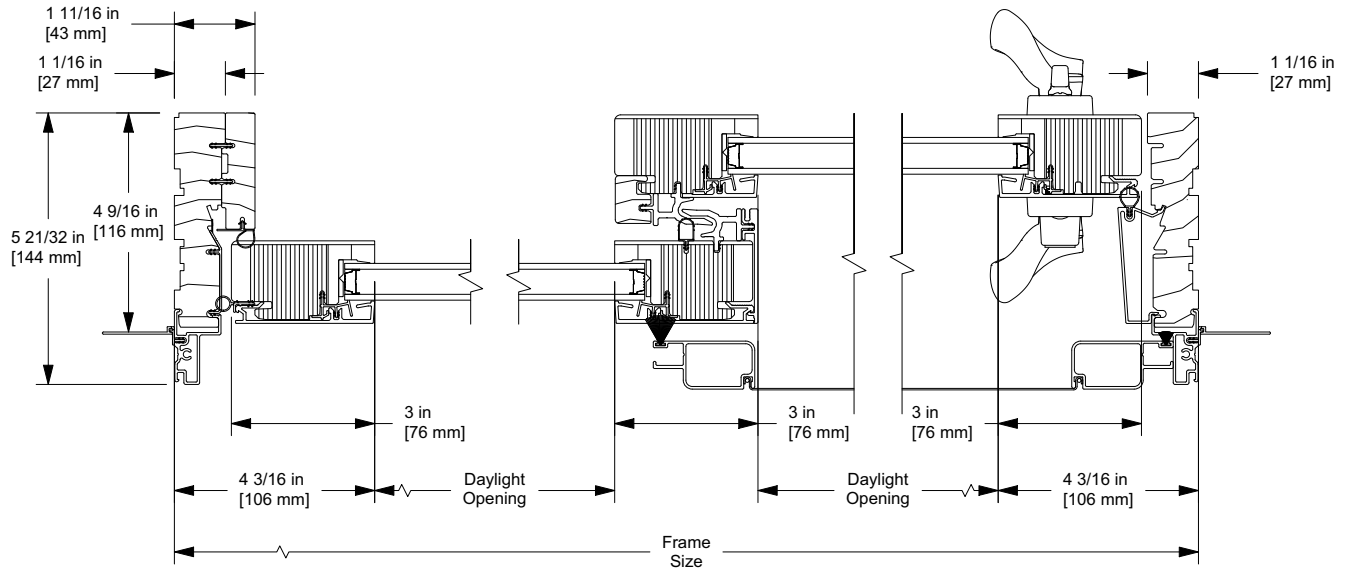
\* 3 inch Available for Transom Simulated Stiles Only

**NOTE:** Due to the inherent qualities of tempered glass, daylight gaps may be seen when using simulated divided lite bars. Daylight gaps could be visible between the internal spacer bar and surface applied bars when viewing from an acute angle to the glass on the following applications:

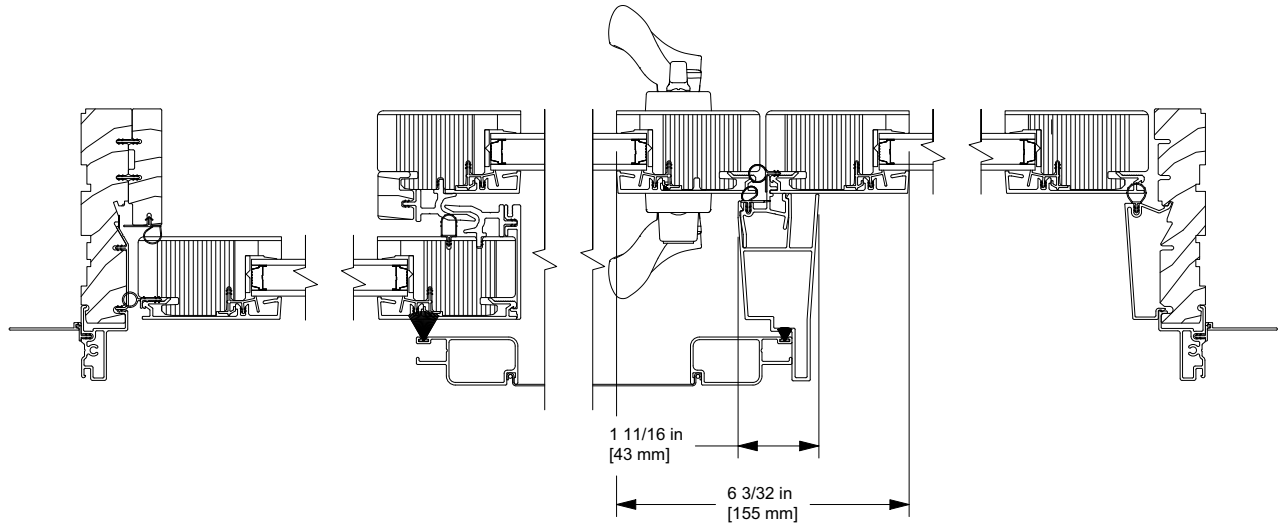
- Tempered glass over 72" high while using 5/8" SDL bars
- Tempered glass over 91" high while using 7/8" SDL bars.

**Section Details: Operating (1 3/4" Panels, Horizontal)**

Scale: 3" = 1' 0"



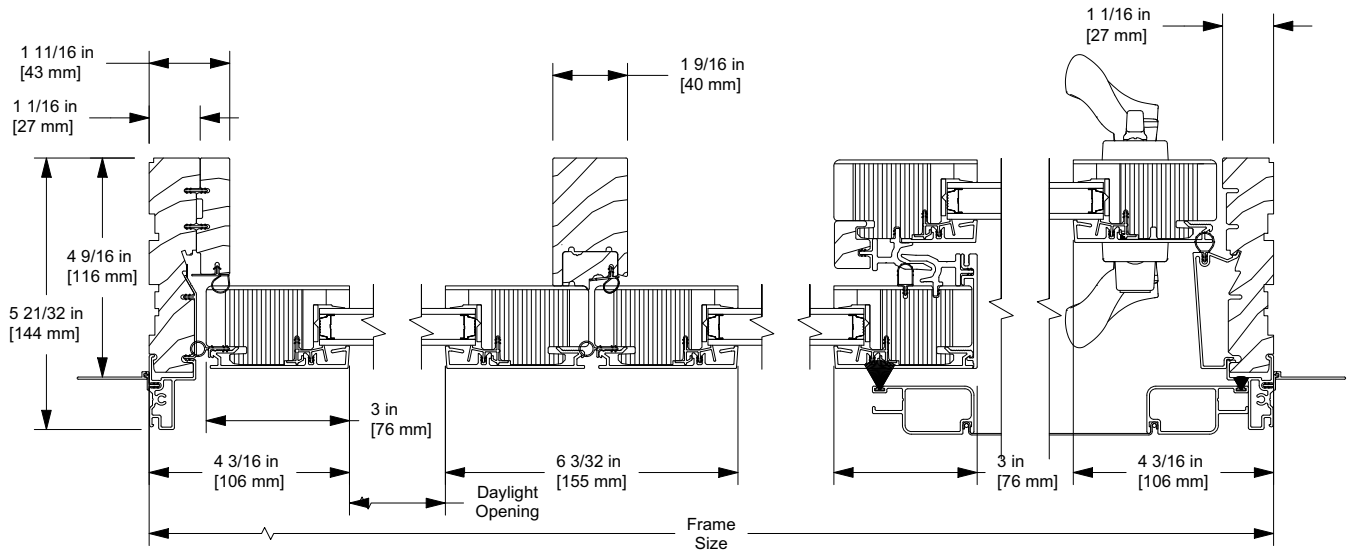
**OX 4 9/16 inch Jamb**



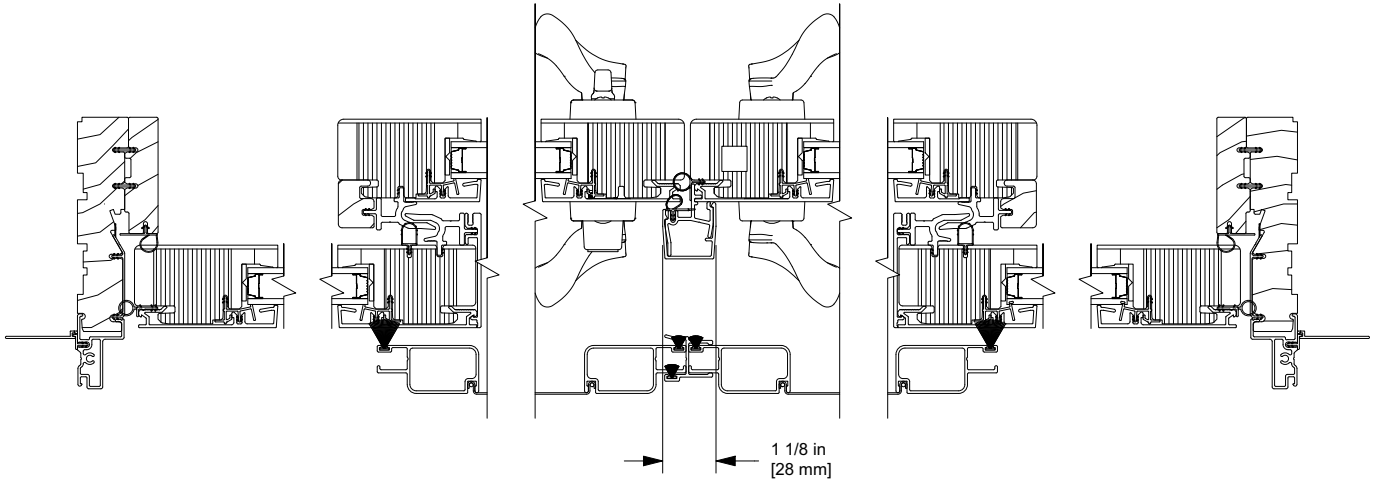
**OXO 4 9/16 inch Left Hand Jamb**

**Section Details: Operating (1 3/4" Panels, Horizontal)**

Scale: 1 1/2" = 1' 0"



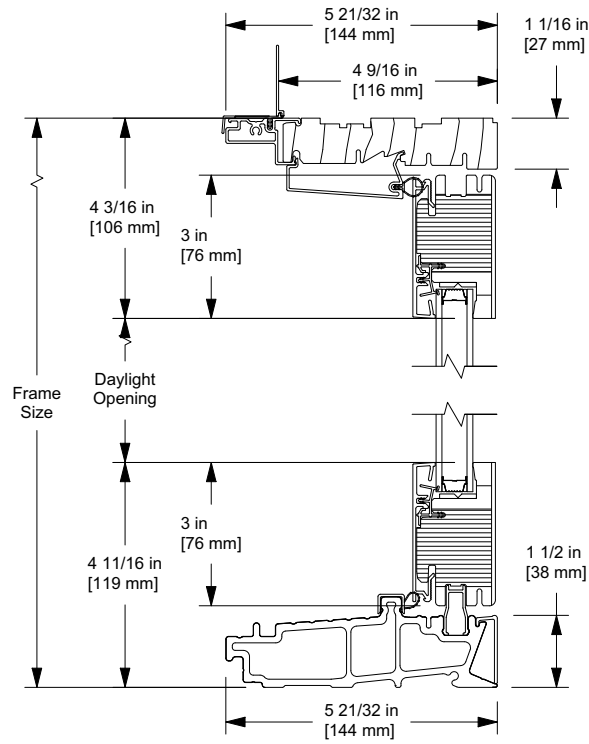
**OOX 4 9/16 inch Jamb**



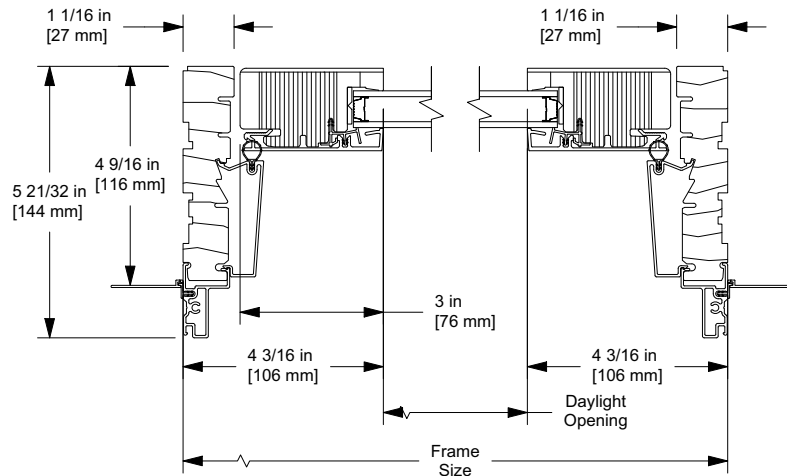
**OXXO 4 9/16 inch Left Hand Jamb**

**Section Details: Stationary (1 3/4" Panels)**

Scale: 3" = 1' 0"



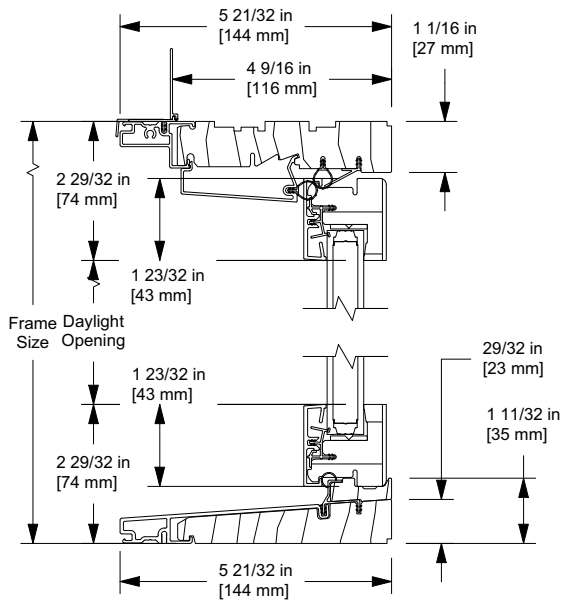
**4 9/16 inch Head and Sill**



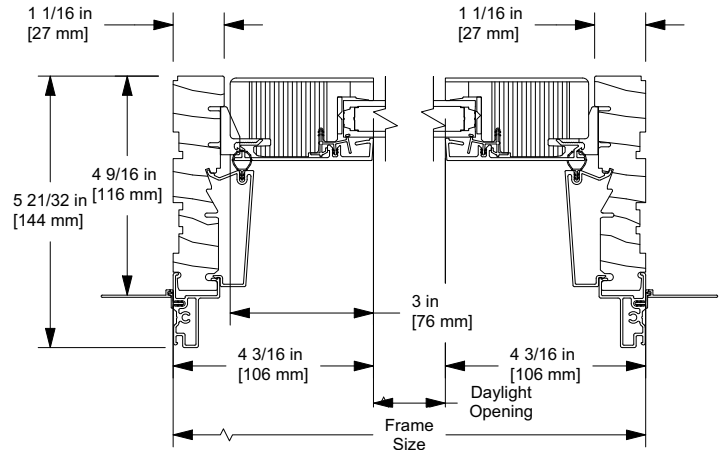
**4 9/16 inch Jamb**

**Section Details: Transoms (1 3/4" Panels)**

Scale: 3" = 1' 0"



4 9/16 inch Head and Sill

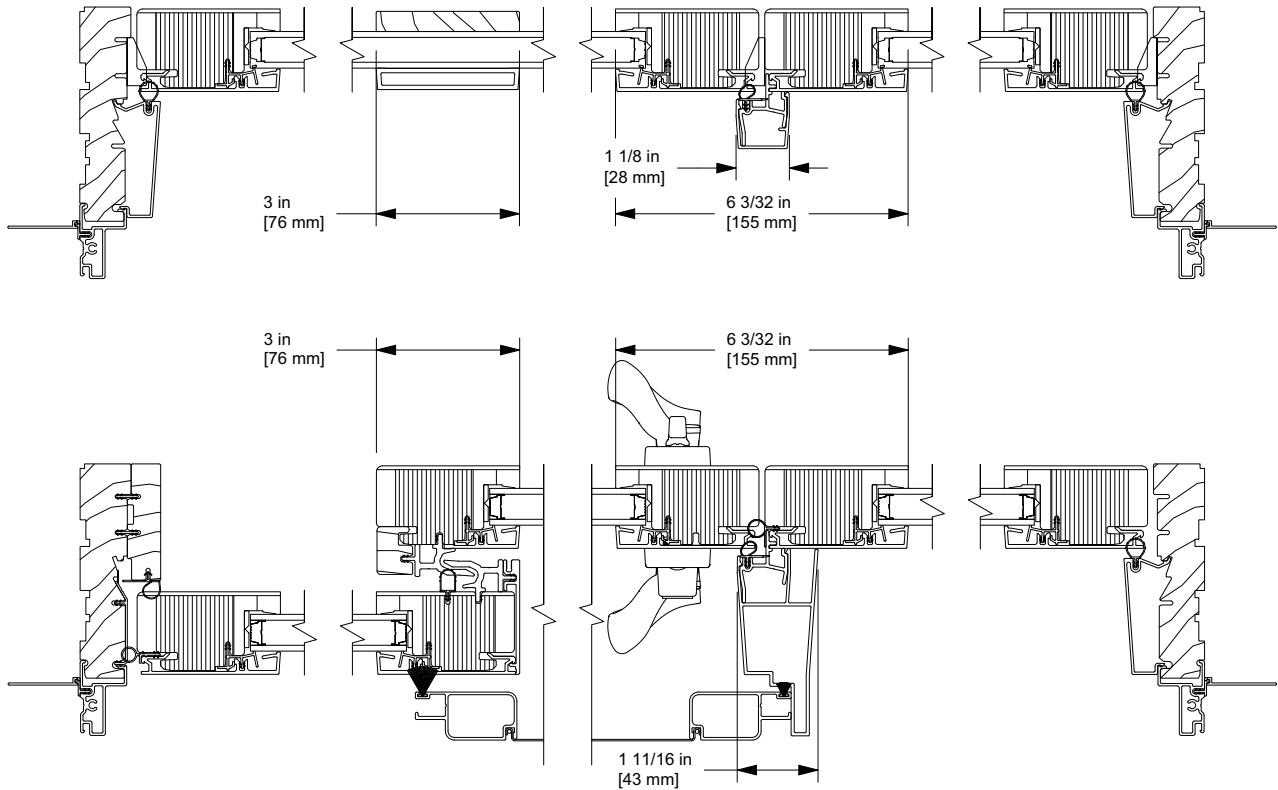


4 9/16 inch Jamb

**1 Frame/2 Sash Transom Aligned over OXO Left Hand Door**

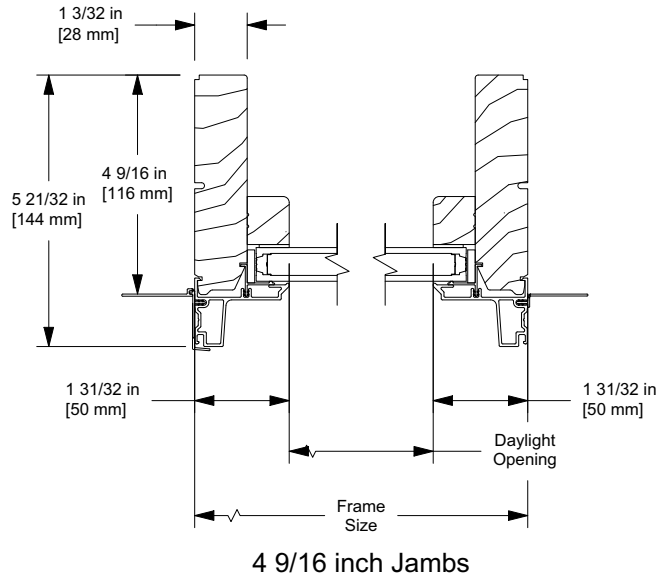
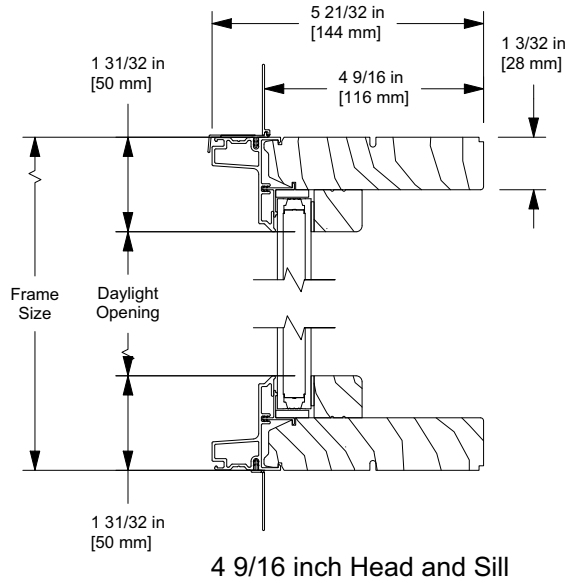
Transom 3 inch SDL Bar Aligned over USD Interlock Stiles

Transom Meeting Stiles Aligned over USD Meeting Stiles



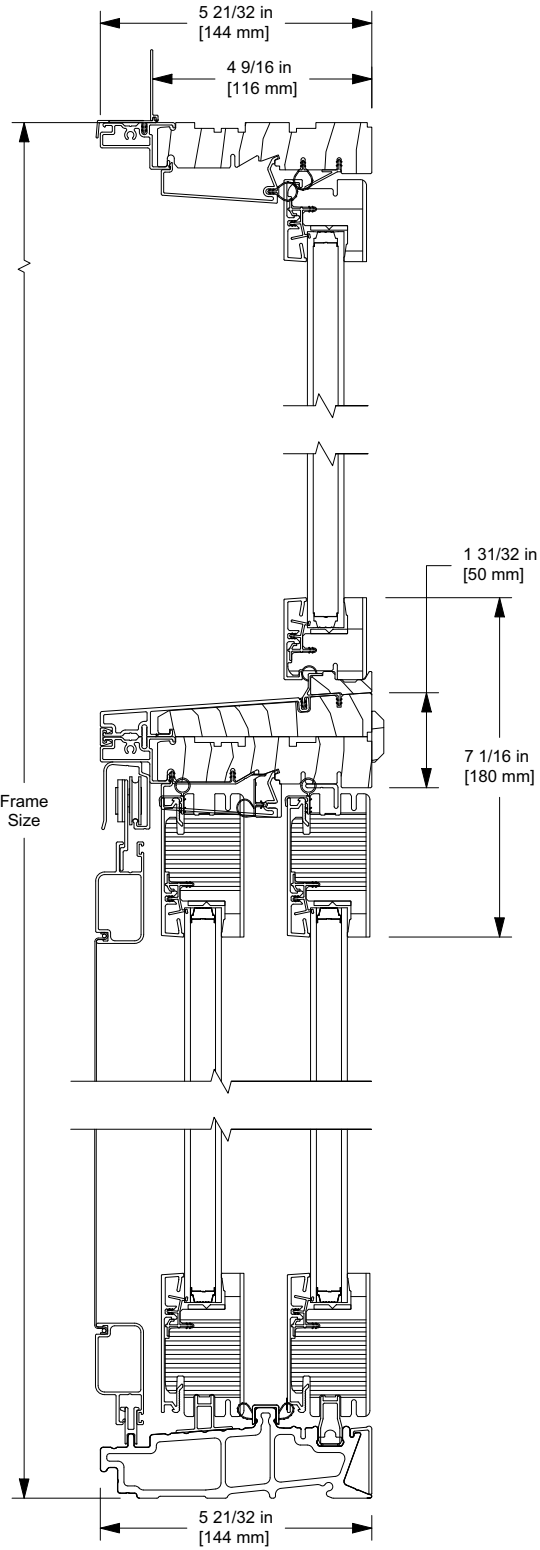
**Section Details: Direct Glaze Rectangles (1 3/4" Panels)**

Scale: 3" = 1' 0"

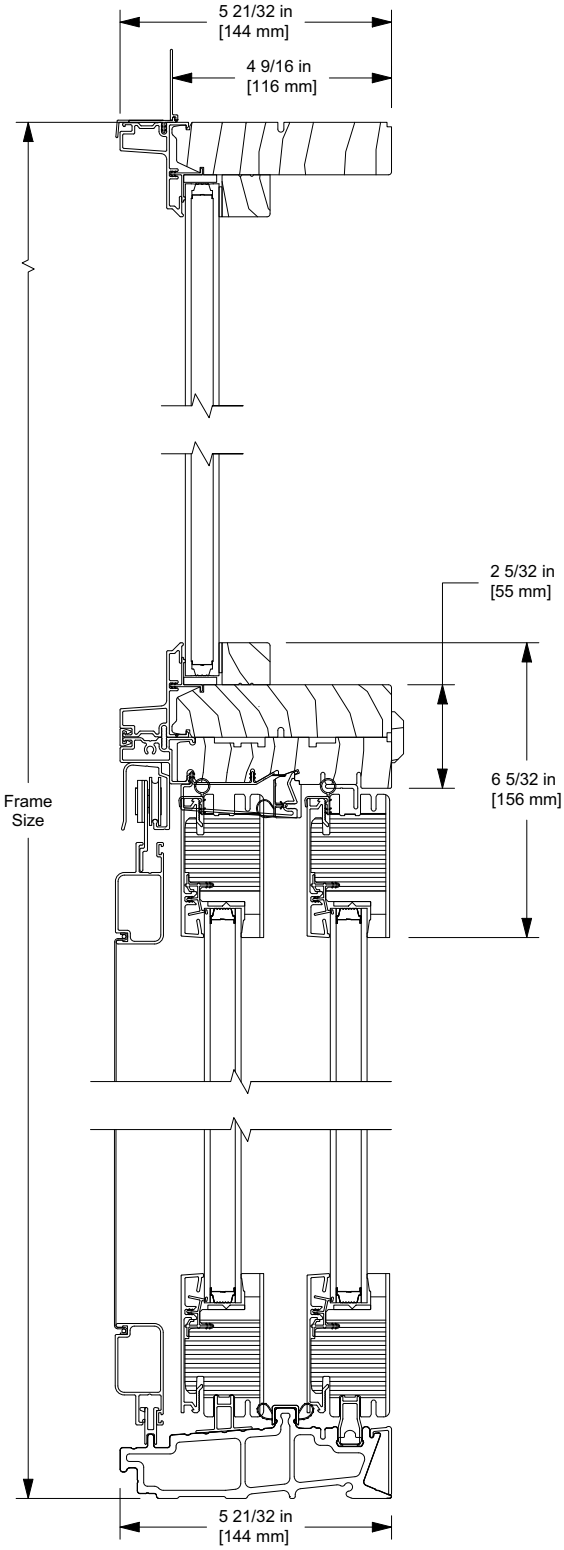


Section Details: Transom Mull (1 3/4" Panels)

Scale: 3" = 1' 0"



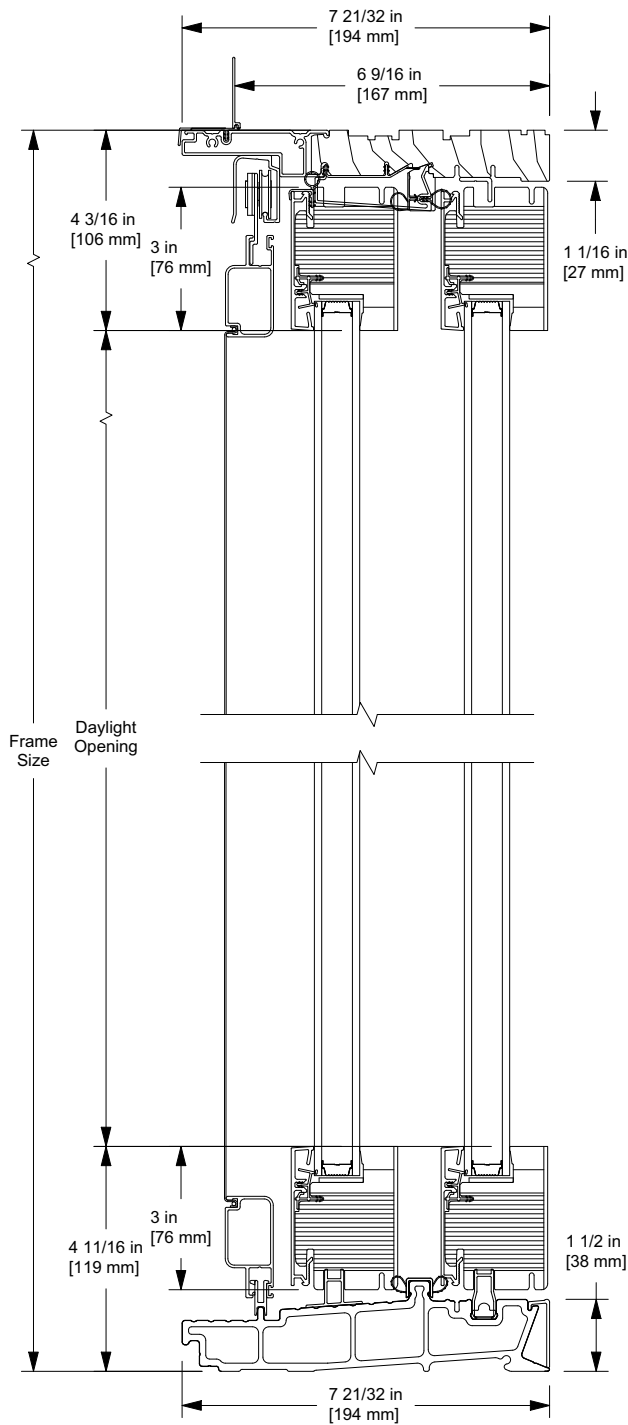
4 9/16 inch In Sash Transom Mull over USD



4 9/16 inch Direct Glaze Mull over USD

**Section Details: Operating (2 1/4" Panels, Standard: Square Interior Glazing Profile)**

Scale: 3" = 1' 0"



**Standard Rails**  
 Top Rail: 3 inch  
 Bottom Rail: 3 inch  
 Interior: Square  
 Exterior: Square

Square Interior and Exterior Divided Lites		
SDL	No Spacer Bar	with Spacer Bar
5/8 in [16 mm]		
7/8 in [22 mm]		
1 1/8 in [29 mm]		
1 15/16 in [49 mm]		
3 in [76 mm] *		
GBG		
23/32 in [18 mm]		

\* 3 inch Available for Transom Simulated Stiles Only

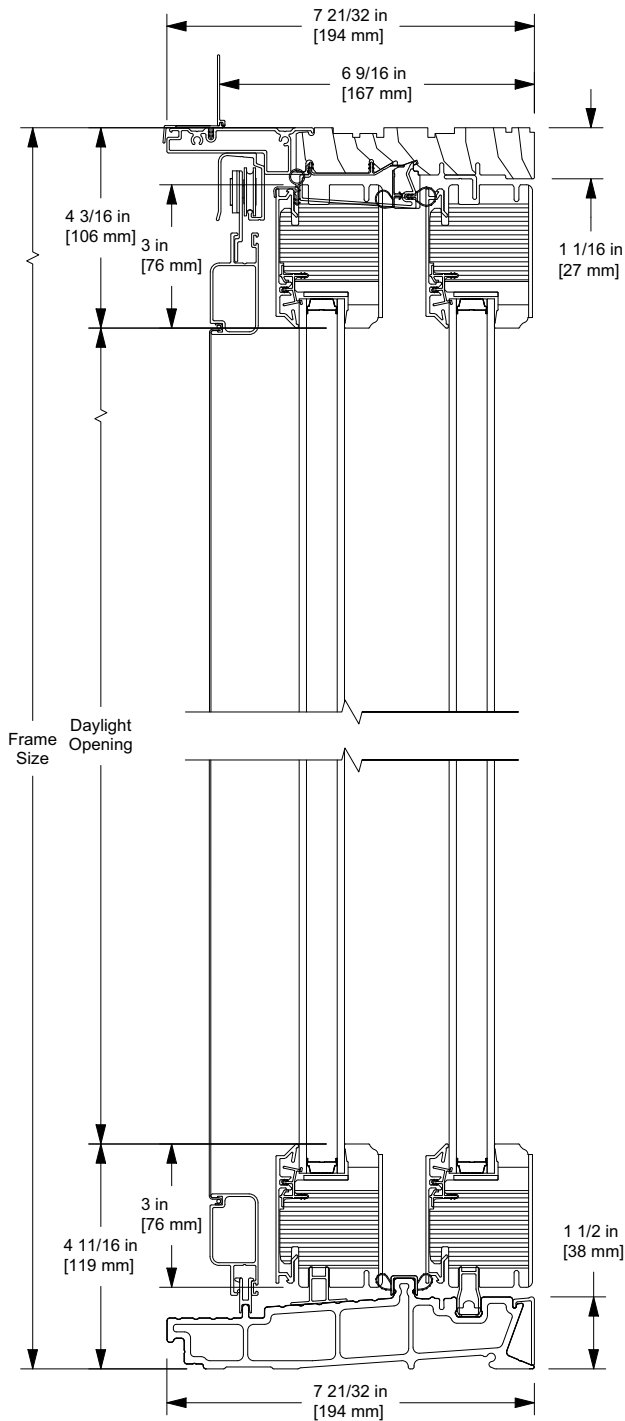
**NOTE:** Due to the inherent qualities of tempered glass, daylight gaps may be seen when using simulated divided lite bars. Daylight gaps could be visible between the internal spacer bar and surface applied bars when viewing from an acute angle to the glass on the following applications:

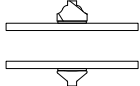
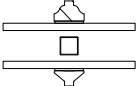
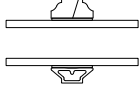
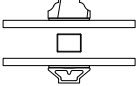
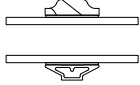
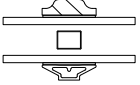
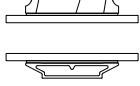
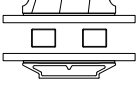

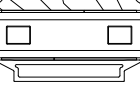
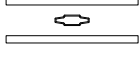
- Tempered glass over 72" high while using 5/8" SDL bars
- Tempered glass over 91" high while using 7/8" SDL bars.



**Section Details: Operating (2 1/4" Panels, Optional: Ogee Interior Glazing Profile)**

Scale: 3" = 1' 0"



Ogee Interior and Simulated Putty Exterior Divided Lites		
SDL	No Spacer Bar	with Spacer Bar
5/8 in [16 mm]		
7/8 in [22 mm]		
1 1/8 in [29 mm]		
1 15/16 in [49 mm]		
3 in [76 mm] *		
GBG		
23/32 in [18 mm]		

\* 3 inch Available for Transom Simulated Stiles Only

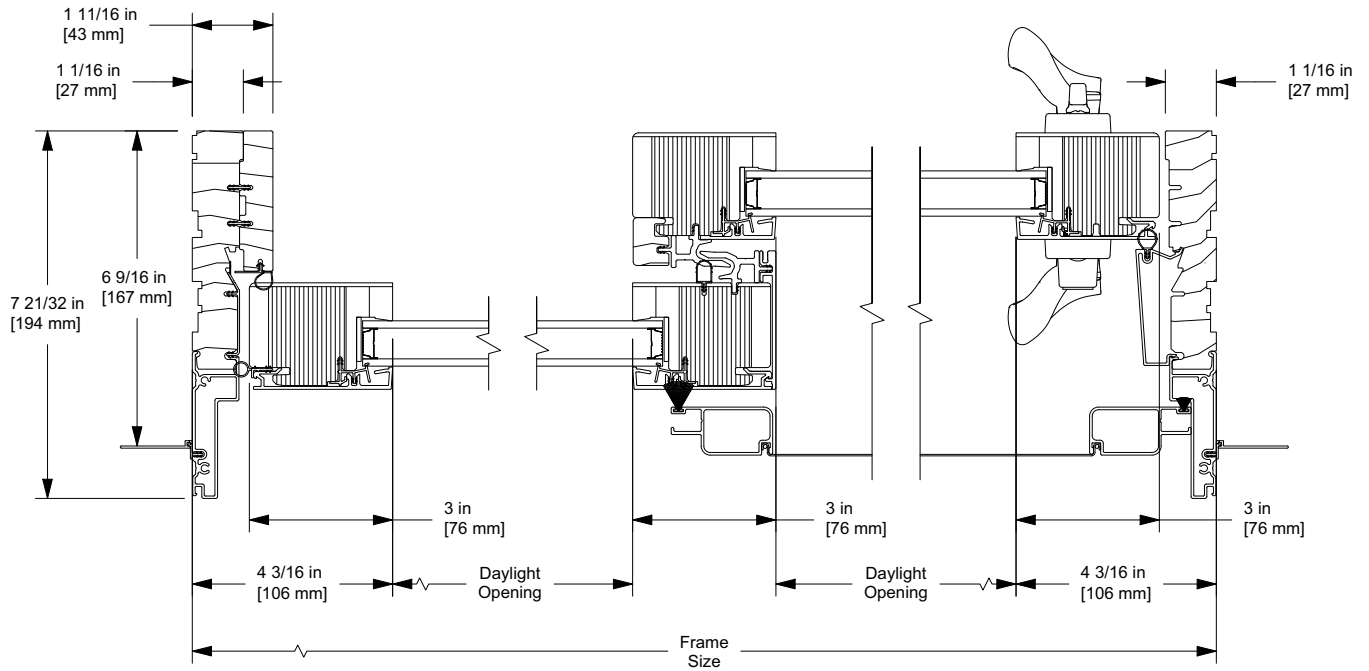
**Optional Rails**  
 Top Rail: 3 inch  
 Bottom Rail: 3 inch  
 Interior: Ogee  
 Exterior: Simulated Putty

**NOTE:** Due to the inherent qualities of tempered glass, daylight gaps may be seen when using simulated divided lite bars. Daylight gaps could be visible between the internal spacer bar and surface applied bars when viewing from an acute angle to the glass on the following applications:

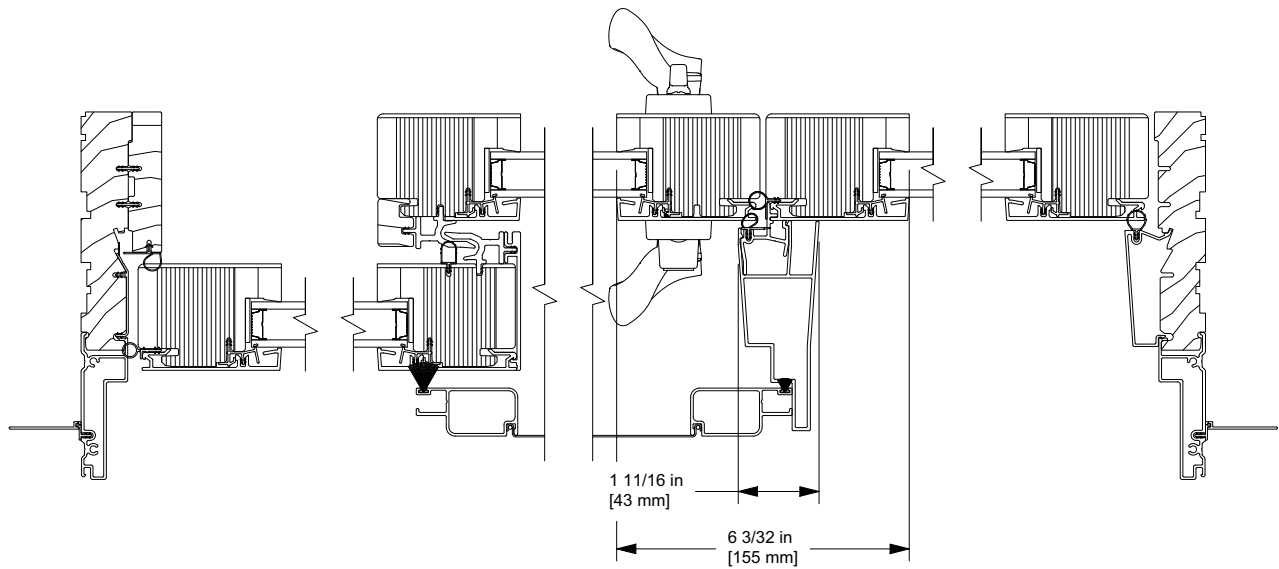
- Tempered glass over 72" high while using 5/8" SDL bars
- Tempered glass over 91" high while using 7/8" SDL bars.

**Section Details: Operating (2 1/4" Panels, Horizontal)**

Scale: 3" = 1' 0"



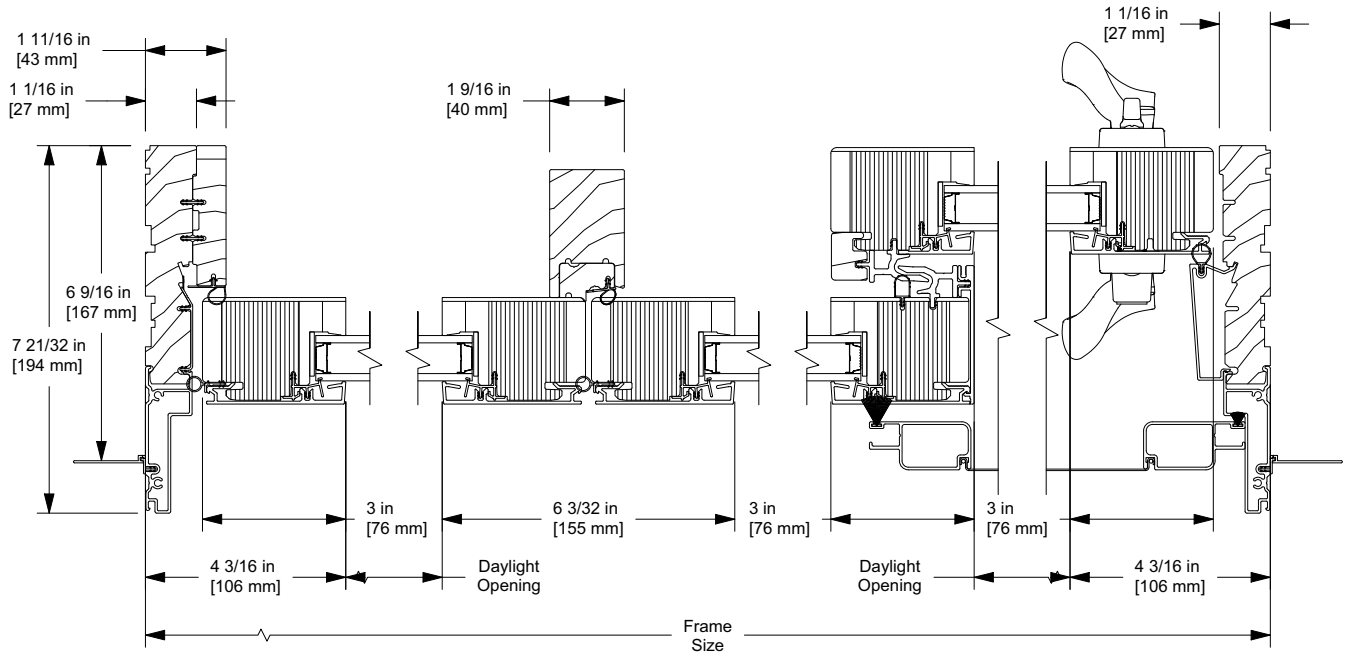
**OX 6 9/16 inch Jamb**



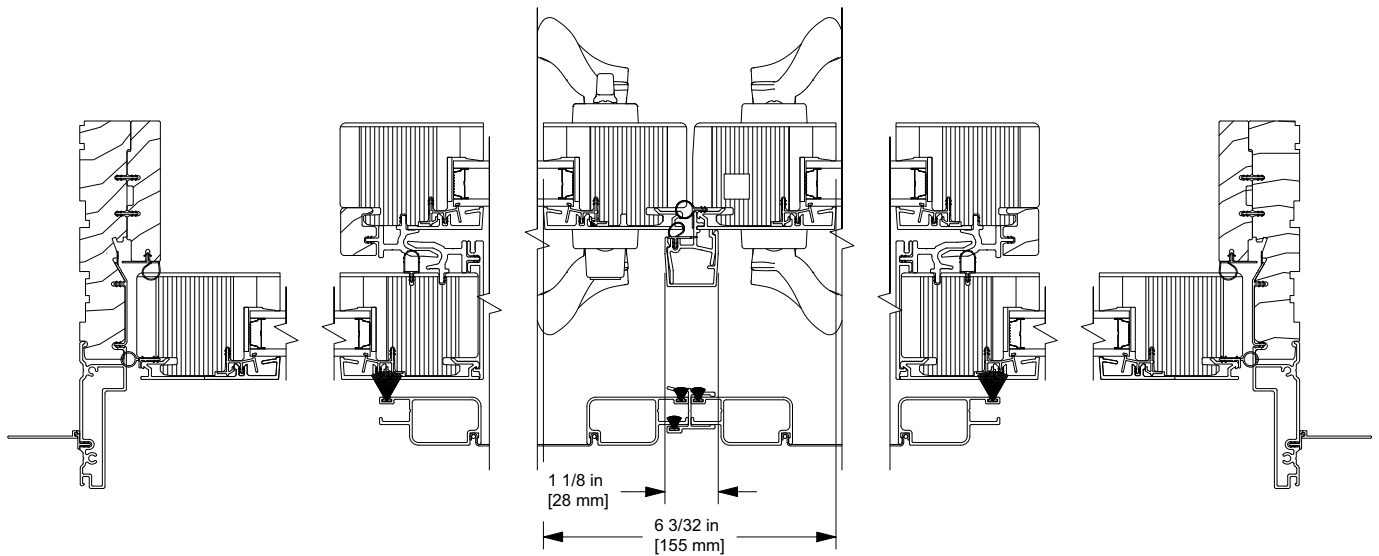
**OXO 6 9/16 inch Left Hand Jamb**

**Section Details: Operating (2 1/4" Panels, Horizontal)**

Scale: 1 1/2" = 1' 0"



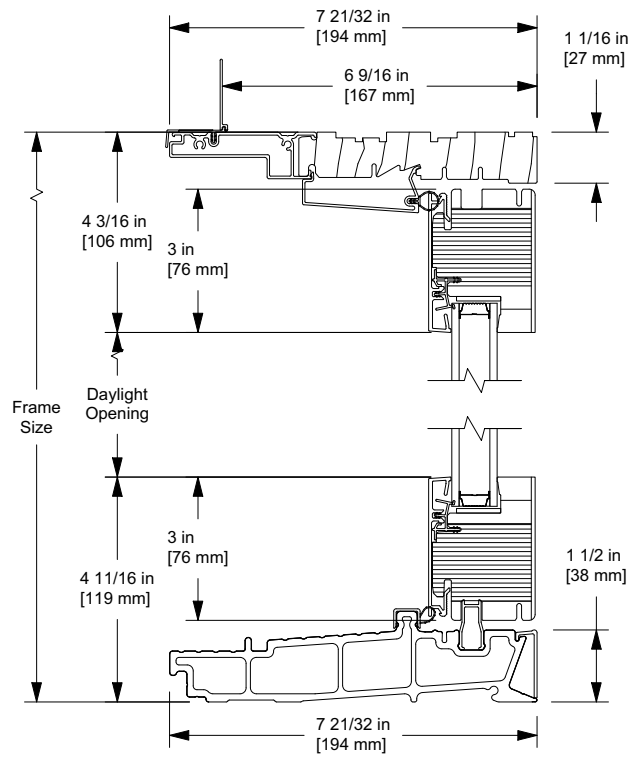
OOX 6 9/16 inch Left Hand Jambs



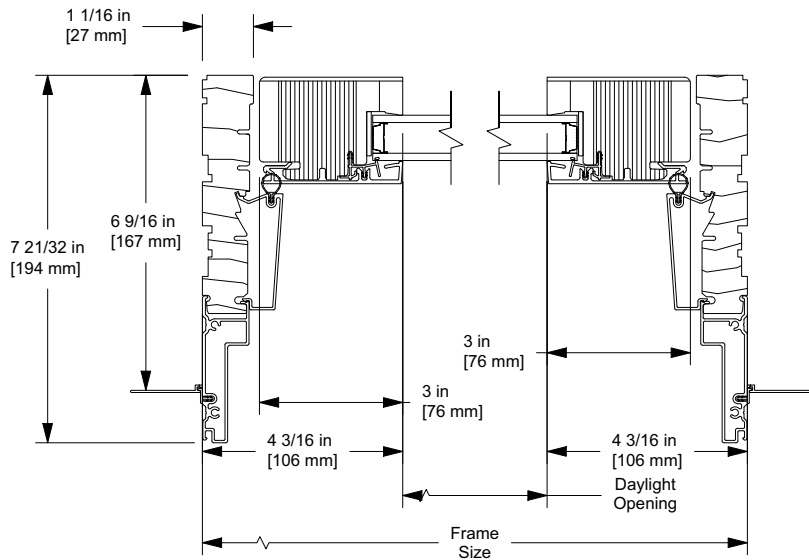
OXXO 6 9/16 inch Left Hand Jambs

**Section Details: Stationary (2 1/4" Panels)**

Scale: 3" = 1' 0"



**6 9/16 inch Head and Sill**

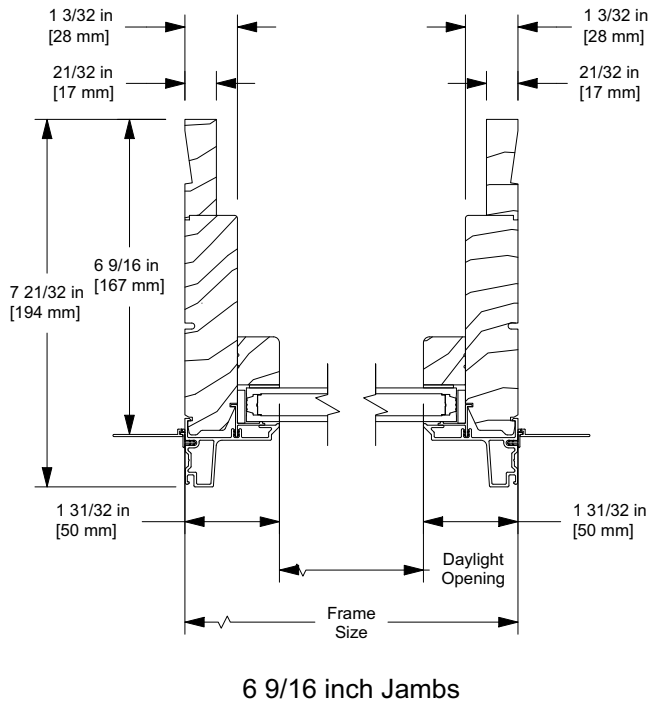
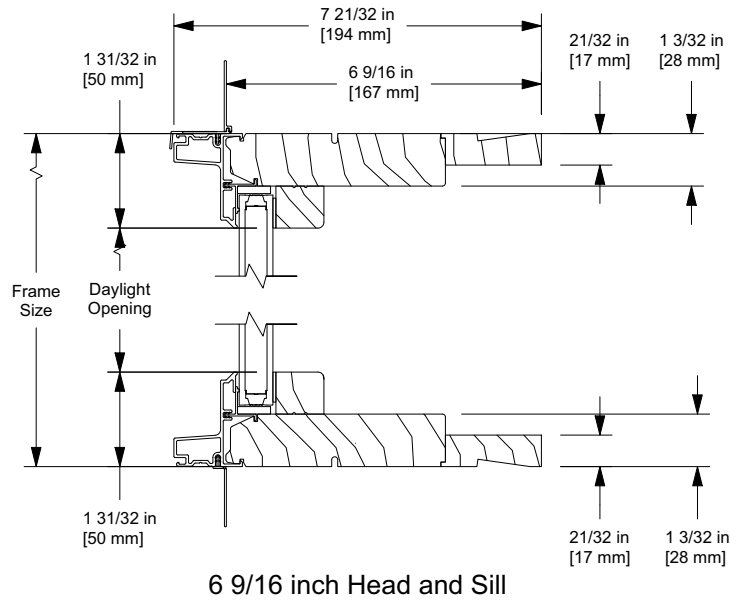


**6 9/16 inch Jamb**



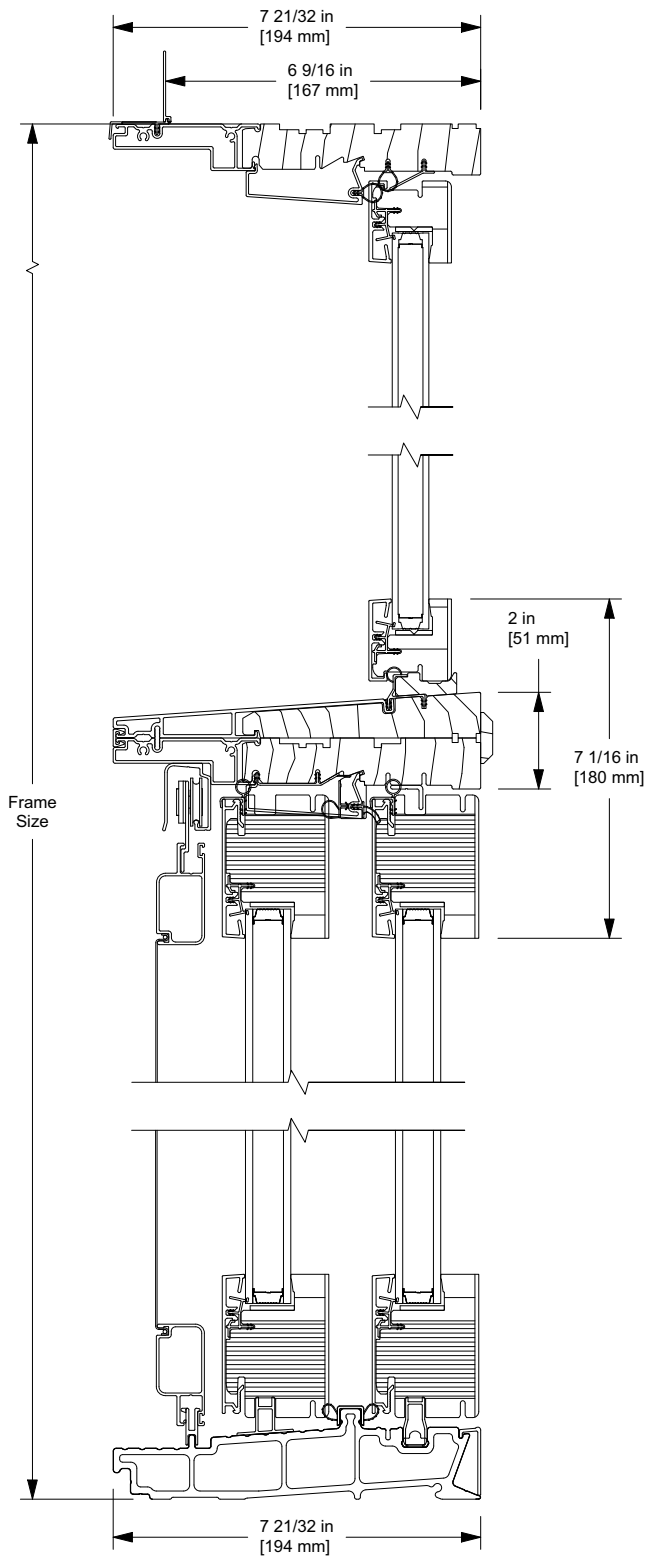
**Section Details: Direct Glaze Rectangles (2 1/4" Panels)**

Scale: 3" = 1' 0"

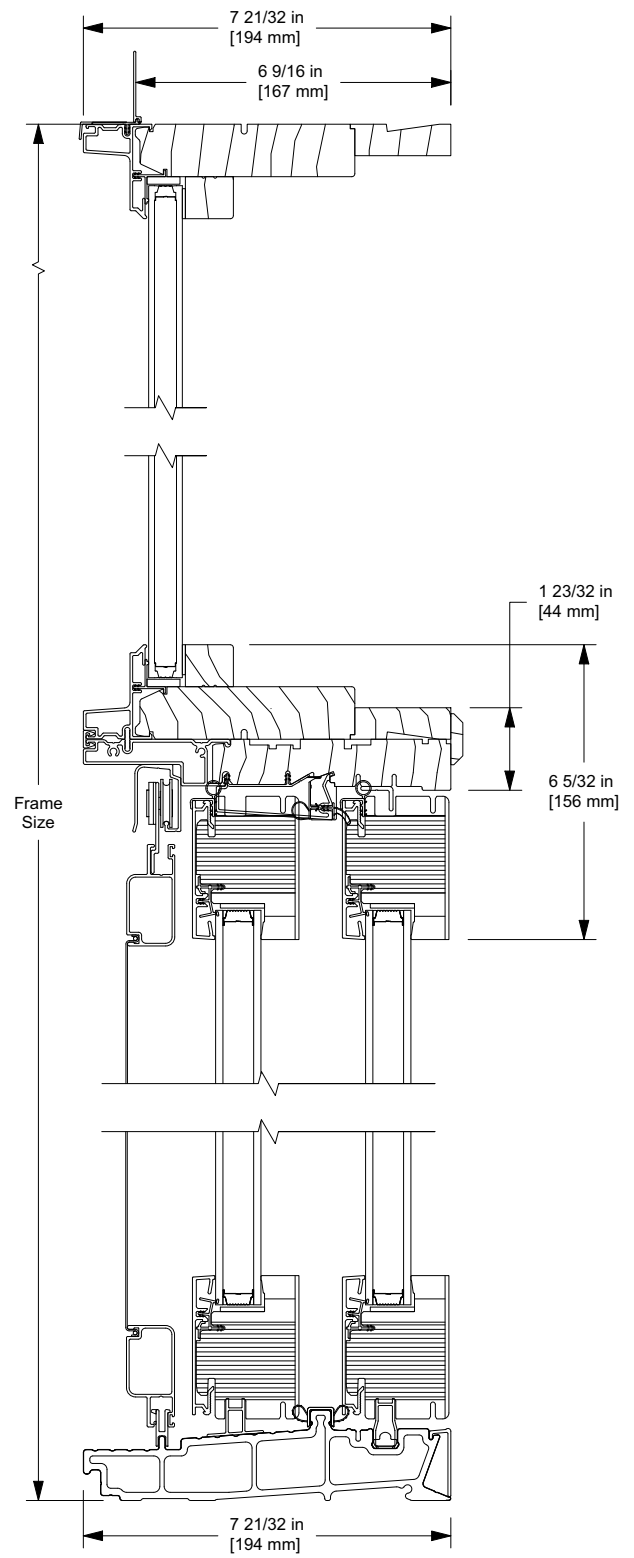


**Section Details: Transom Mull (2 1/4" Panels)**

Scale: 3" = 1' 0"



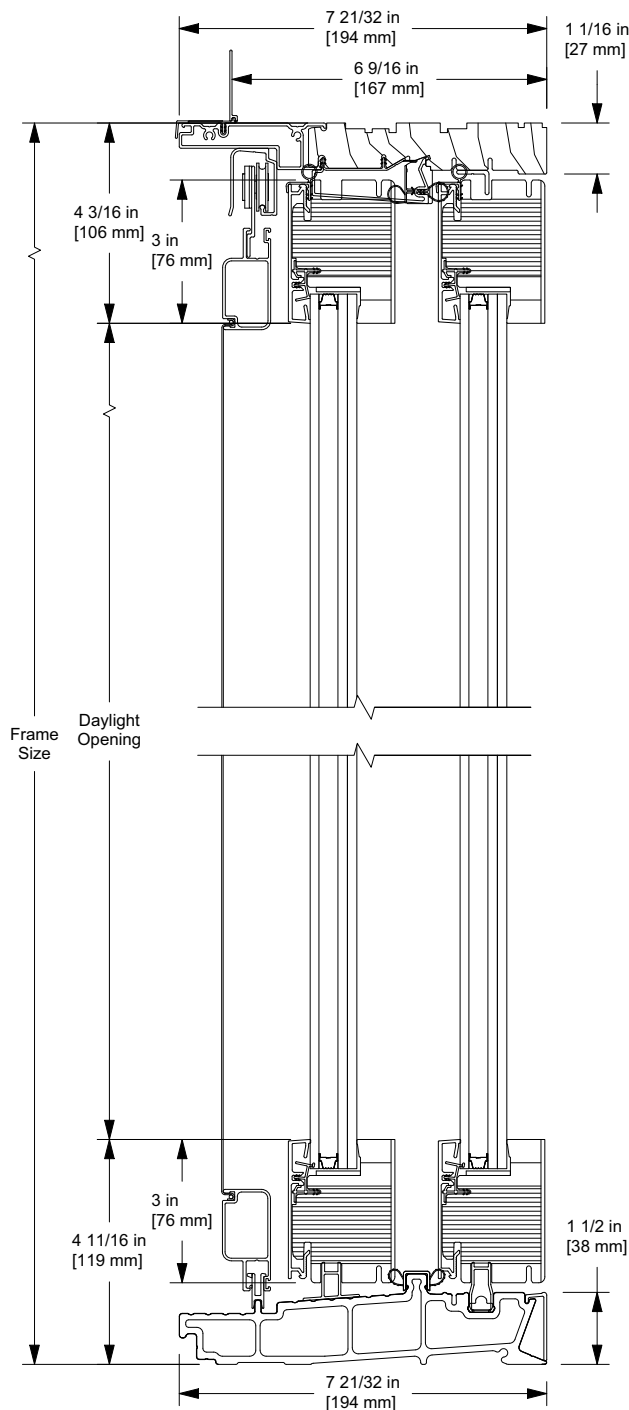
6 9/16 inch In Sash Transom Mull over USD2.25

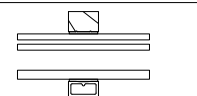
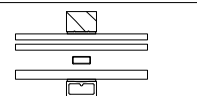
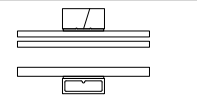
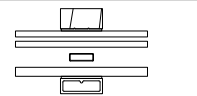
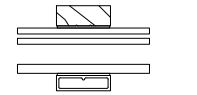
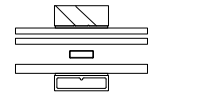
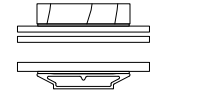
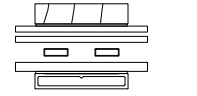
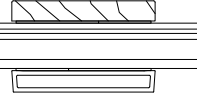
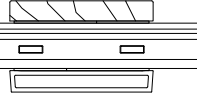
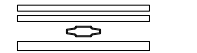


6 9/16 inch Direct Glaze Mull over USD2.25

**IZ3 Section Details: Operating (2 1/4" Panels, Standard: Square Interior Glazing Profile)**

Scale: 3" = 1' 0"



Square Interior and Exterior Divided Lites		
SDL	No Spacer Bar	with Spacer Bar
5/8 in [16 mm]		
7/8 in [22 mm]		
1 1/8 in [29 mm]		
1 15/16 in [49 mm]		
3 in [76 mm] *		
GBG		
23/32 in [18 mm]		

\* 3 inch Available for Transom Stiles Only

**Standard Rails**  
 Top Rail: 3 inch  
 Bottom Rail: 3 inch  
 Interior: Square  
 Exterior: Square

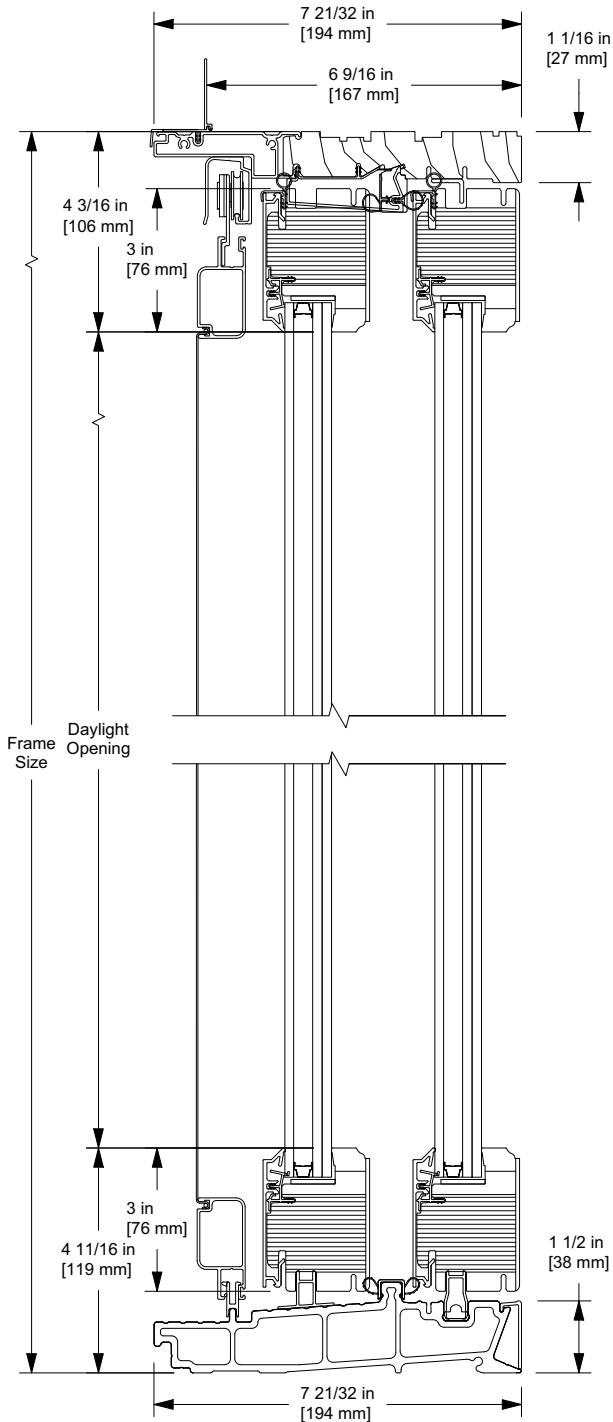
*NOTE: Due to the inherent qualities of tempered glass, daylight gaps may be seen when using simulated divided lite bars. Daylight gaps could be visible between the internal spacer bar and surface applied bars when viewing from an acute angle to the glass on the following applications:*

- Tempered glass over 72" high while using 5/8" SDL bars
- Tempered glass over 91" high while using 7/8" SDL bars.

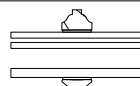
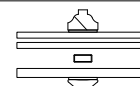
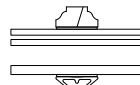
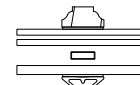
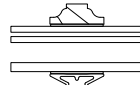
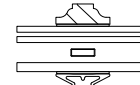
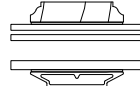
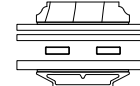

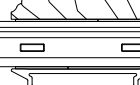
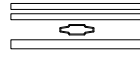


**IZ3 Section Details: Operating (2 1/4" Panels, Optional: Ogee Interior Glazing Profile)**

Scale: 3" = 1' 0"



Ogee Interior and Simulated Putty Exterior Divided Lites

SDL	No Spacer Bar	with Spacer Bar
5/8 in [16 mm]		
7/8 in [22 mm]		
1 1/8 in [29 mm]		
1 15/16 in [49 mm]		
3 in [76 mm] *		
GBG		
23/32 in [18 mm]		

\* 3 inch Available for Transom Simulated Stiles Only

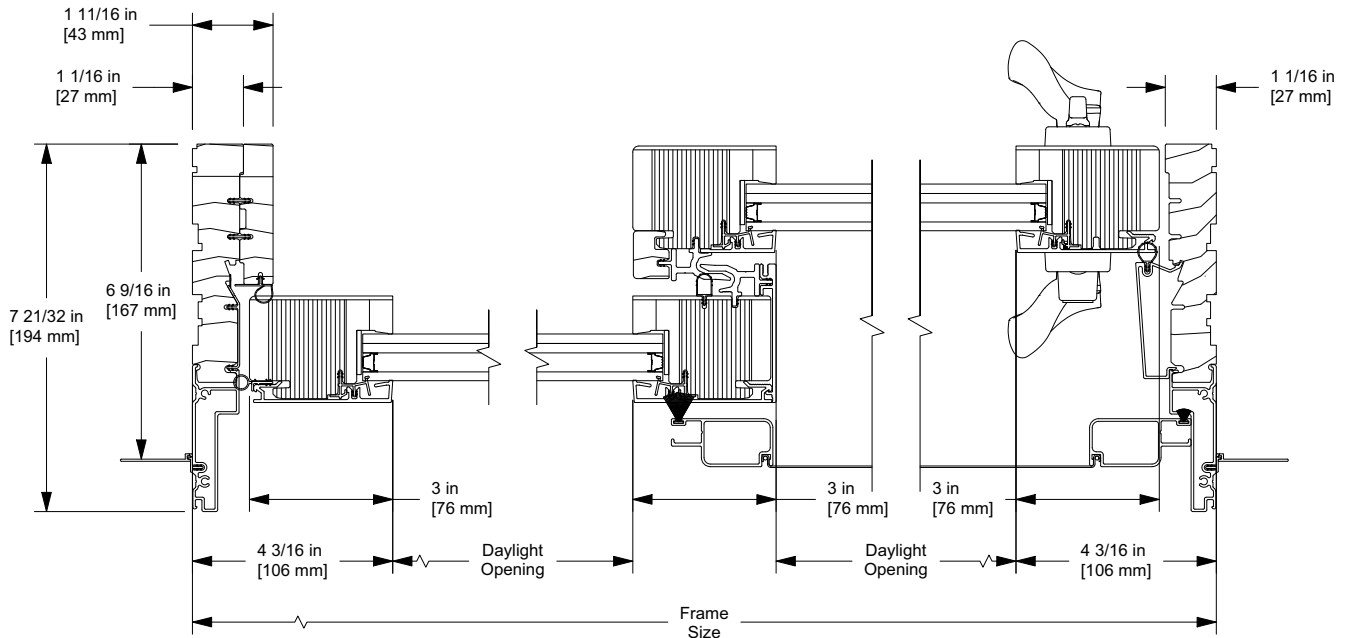
**Optional Rails**  
 Top Rail: 3 inch  
 Bottom Rail: 3 inch  
 Interior: Ogee  
 Exterior: Simulated Putty

**NOTE:** Due to the inherent qualities of tempered glass, daylight gaps may be seen when using simulated divided lite bars. Daylight gaps could be visible between the internal spacer bar and surface applied bars when viewing from an acute angle to the glass on the following applications:

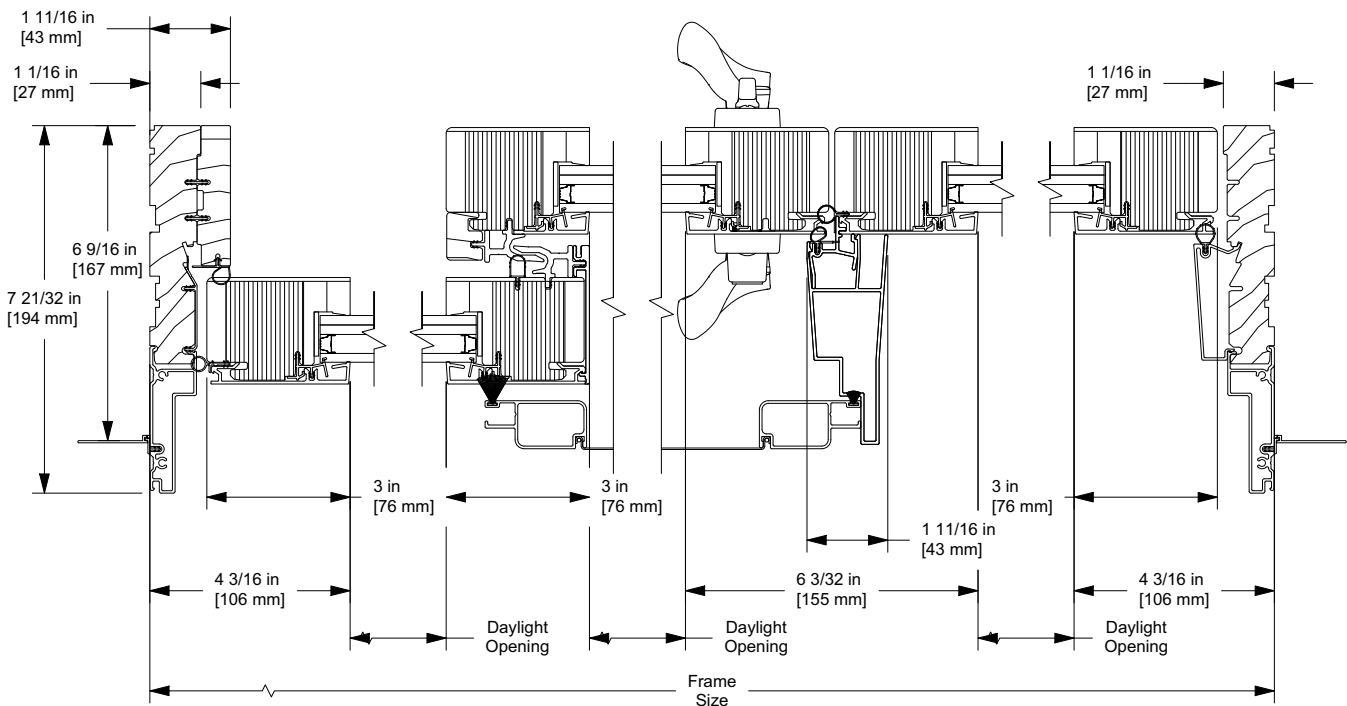
- Tempered glass over 72" high while using 5/8" SDL bars
- Tempered glass over 91" high while using 7/8" SDL bars.

**IZ3 Section Details: Operating (2 1/4" Panels, Horizontal)**

Scale: 3" = 1' 0"



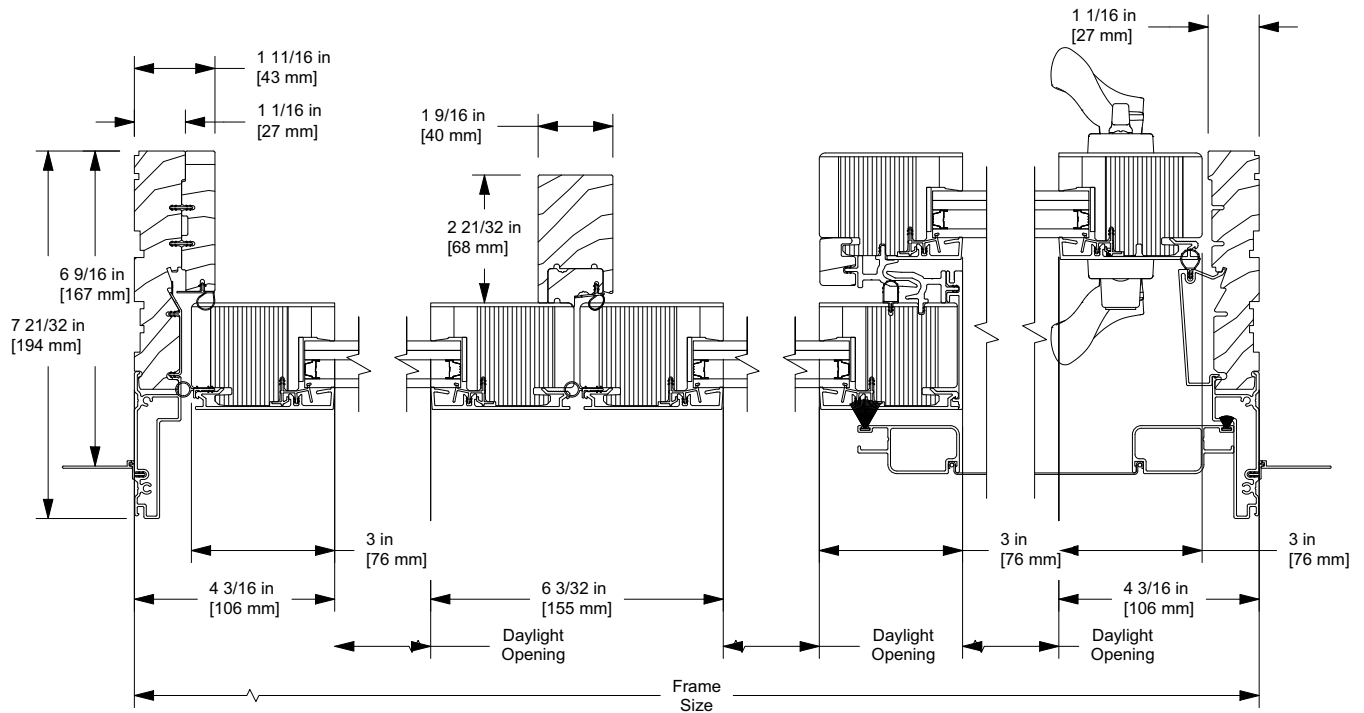
**OX 6 9/16 inch Jamb**



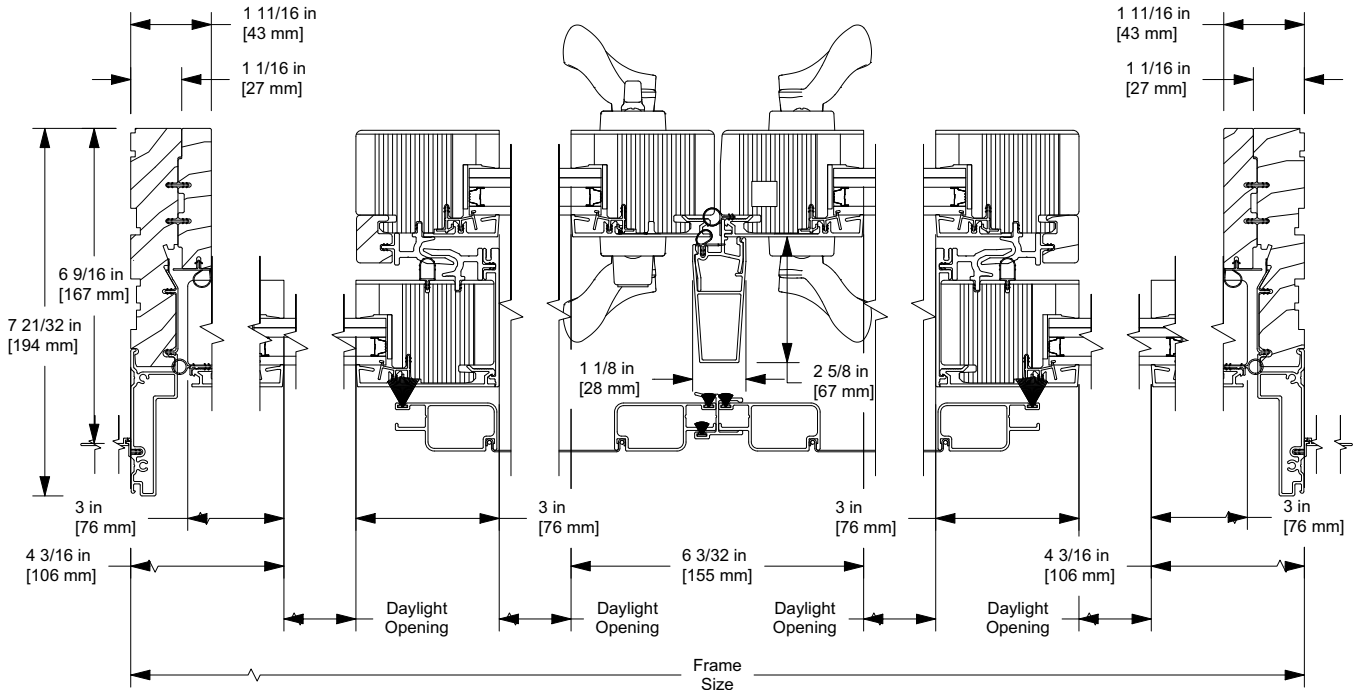
**OXO 6 9/16 inch Jamb**

**IZ3 Section Details: Operating (2 1/4" Panels, Horizontal)**

Scale: 1 1/2" = 1' 0"



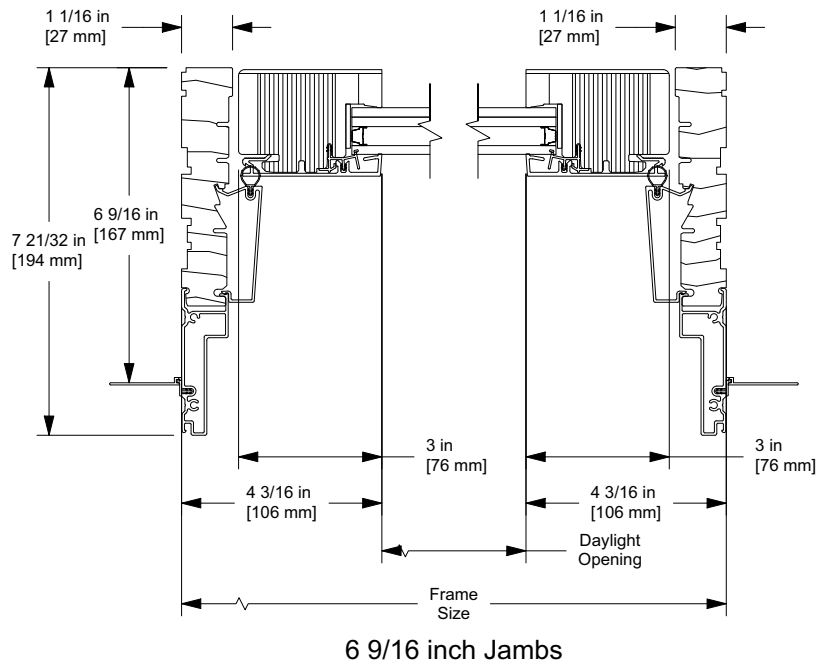
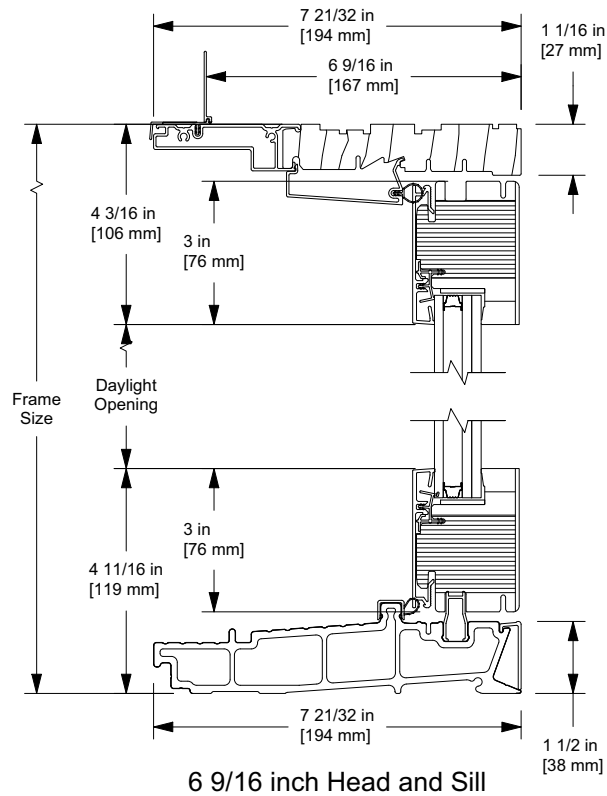
**OOX 6 9/16 inch Jamb**



**OXXO 6 9/16 inch Left Hand Jamb**

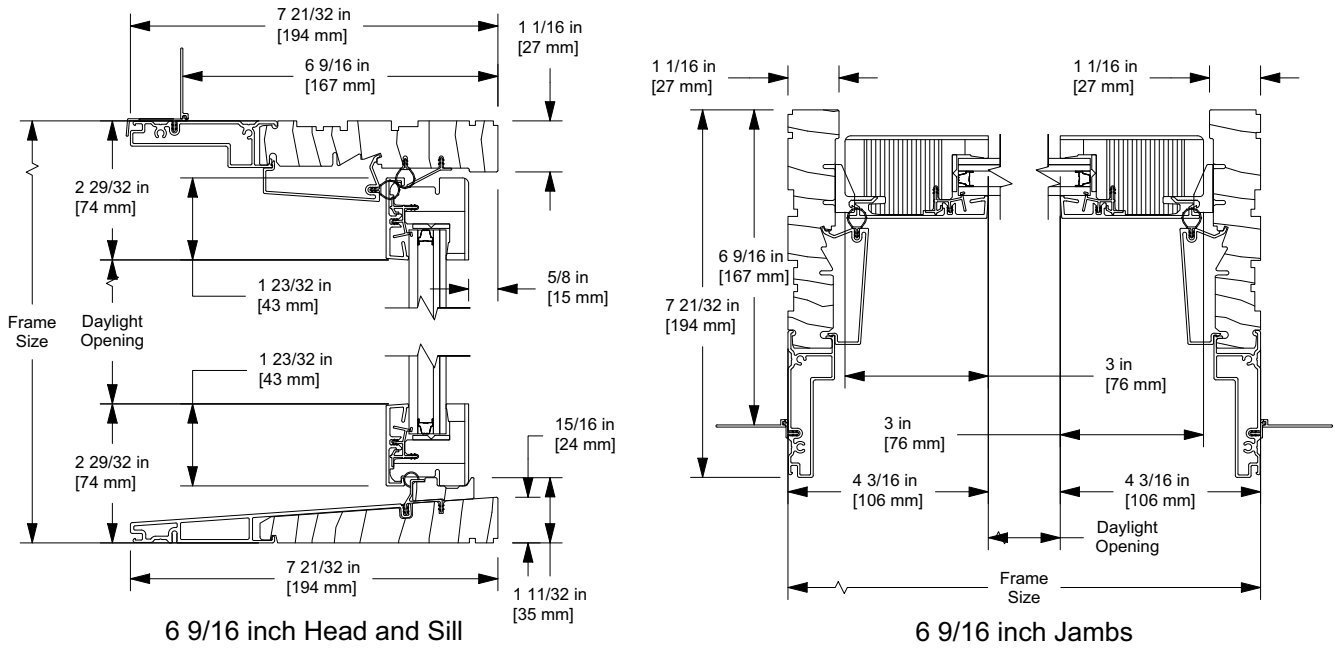
**IZ3 Section Details: Stationary (2 1/4" Panels)**

Scale: 3" = 1' 0"



**IZ3 Section Details: Transoms (2 1/4" Panels)**

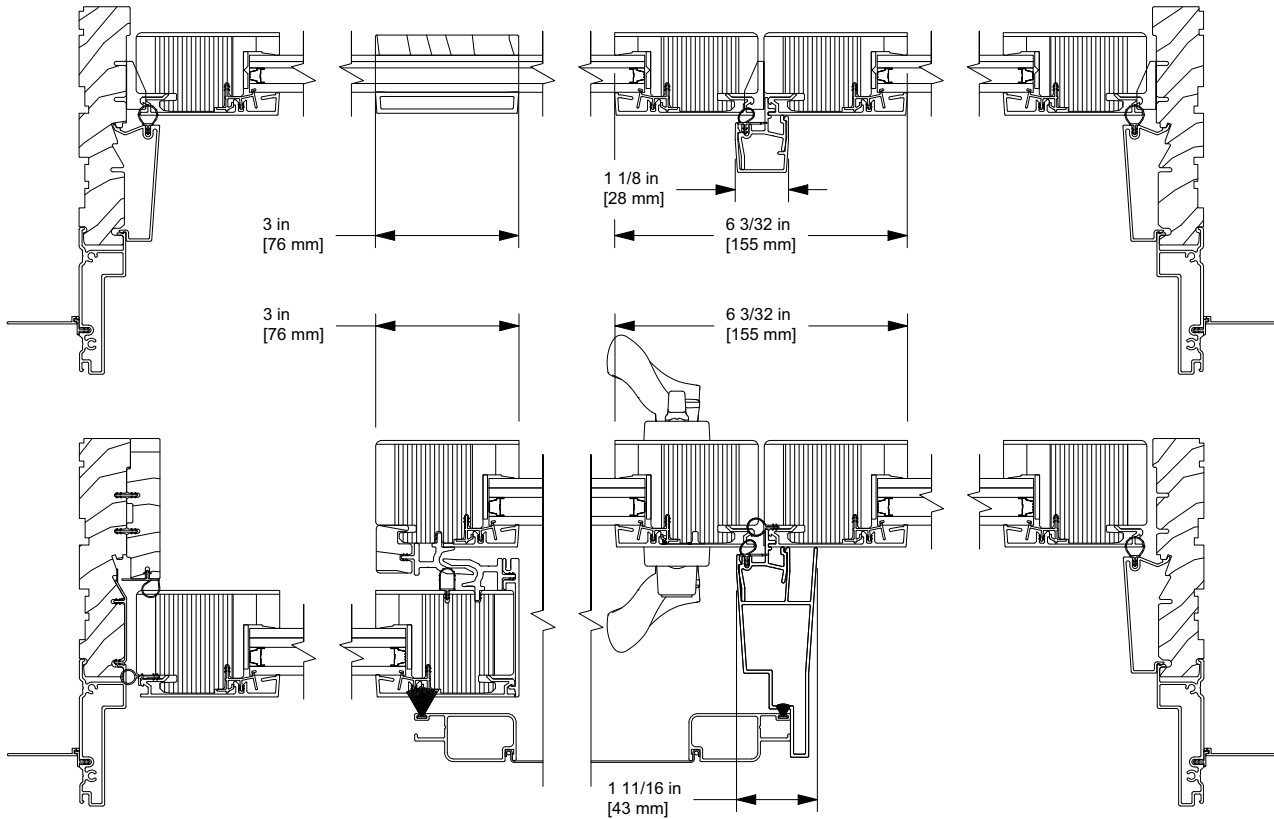
Scale: 3" = 1' 0"



**1 Frame/2 Sash IZ3 Transom Aligned over IZ3 OXO Left Hand Door**

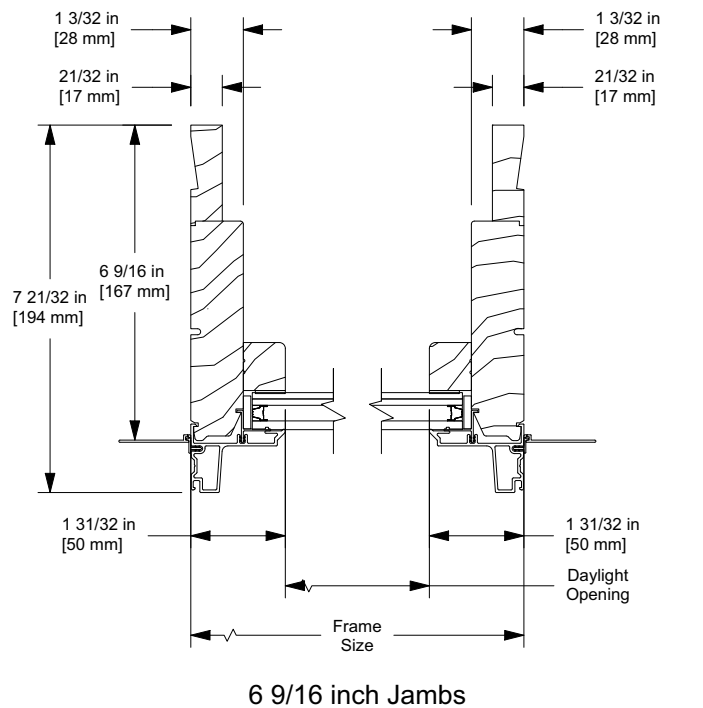
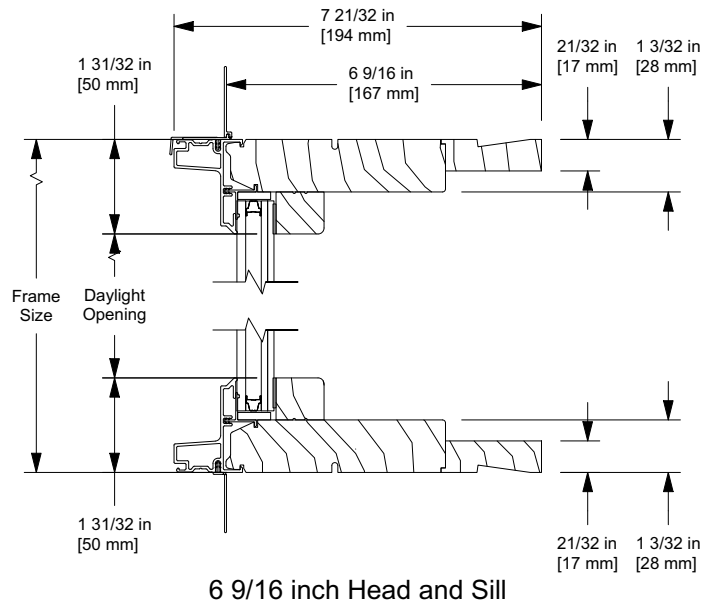
Transom 3 inch SDL Bar Aligned over USD Interlock Stiles

Transom Meeting Stiles Aligned over USD Meeting Stiles



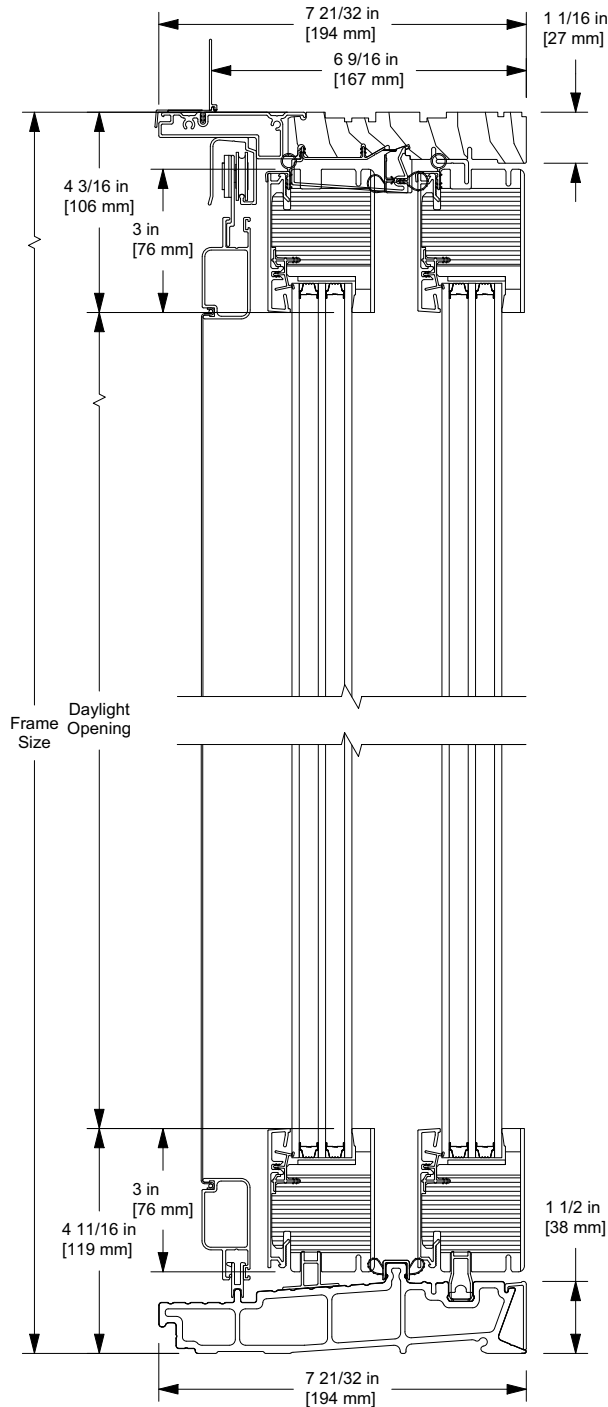
**IZ3 Section Details: Direct Glaze Rectangles (2 1/4" Panels)**

Scale: 3" = 1' 0"

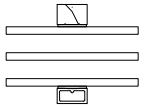
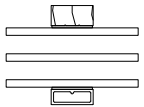
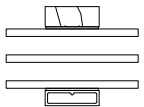
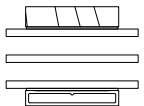
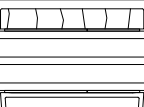


**Section Details: Operating Tripane (2 1/4" Panels, Standard: Square Interior Glazing Profile)**

Scale: 3" = 1' 0"



**Standard Rails**  
 Top Rail: 3 inch  
 Bottom Rail: 3 inch  
 Interior: Square  
 Exterior: Square

Square Interior and Simulated Putty Exterior Divided Lites	
SDL	No Spacer
5/8 in [16 mm]	
7/8 in [22 mm]	
1 1/8 in [29 mm]	
1 15/16 in [49 mm]	
3 in [76 mm] *	

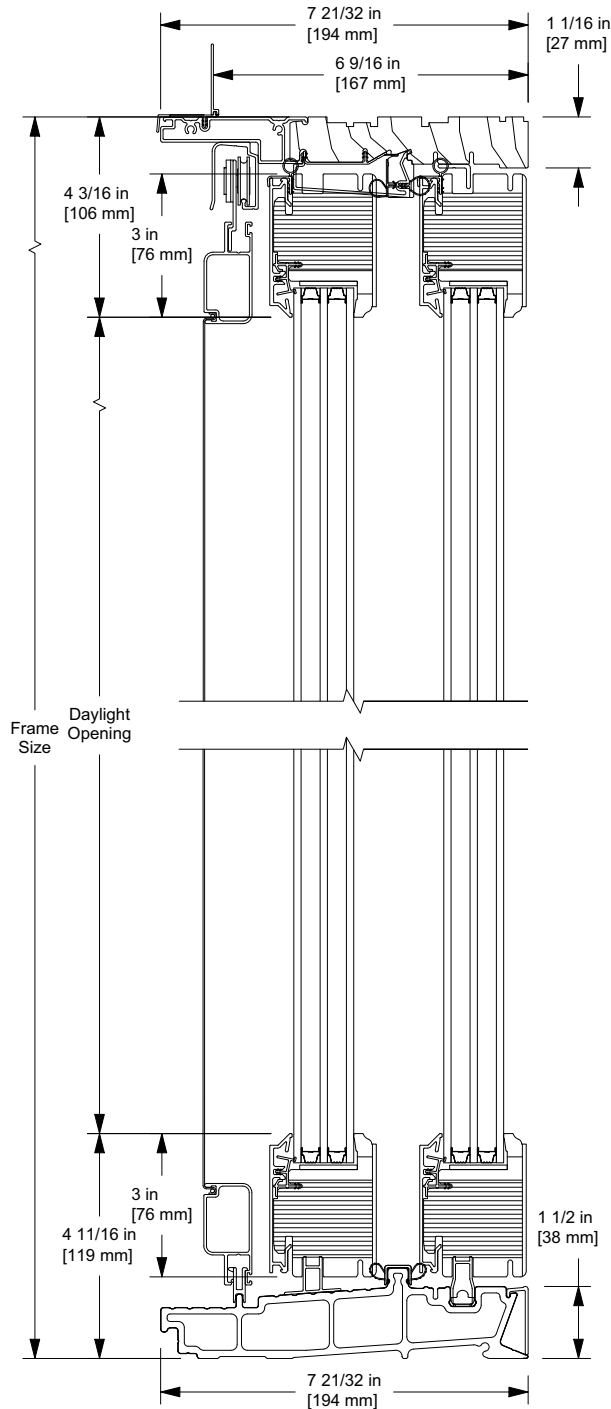
\* 3 inch Available for Transom Simulated Stiles Only

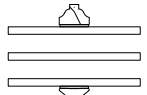
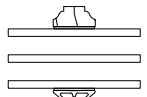
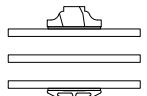
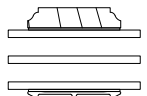
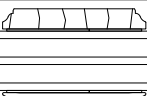
NOTE: Due to the inherent qualities of tempered glass, daylight gaps may be seen when using simulated divided lite bars. Daylight gaps could be visible between the internal spacer bar and surface applied bars when viewing from an acute angle to the glass on the following applications:

- Tempered glass over 72" high while using 5/8" SDL bars
- Tempered glass over 91" high while using 7/8" SDL bars.

**Section Details: Operating Tripane (2 1/4" Panels, Optional: Ogee Interior Glazing Profile)**

Scale: 3" = 1' 0"



Ogee Interior and Simulated Putty Exterior Divided Lites	
SDL	No Spacer
5/8 in [16 mm]	
7/8 in [22 mm]	
1 1/8 in [29 mm]	
1 15/16 in [49 mm]	
3 in [76 mm] *	

\* 3 inch Available for Transom Simulated Stiles Only

**Optional Rails**  
 Top Rail: 3 inch  
 Bottom Rail: 3 inch  
 Interior: Ogee  
 Exterior: Simulated Putty

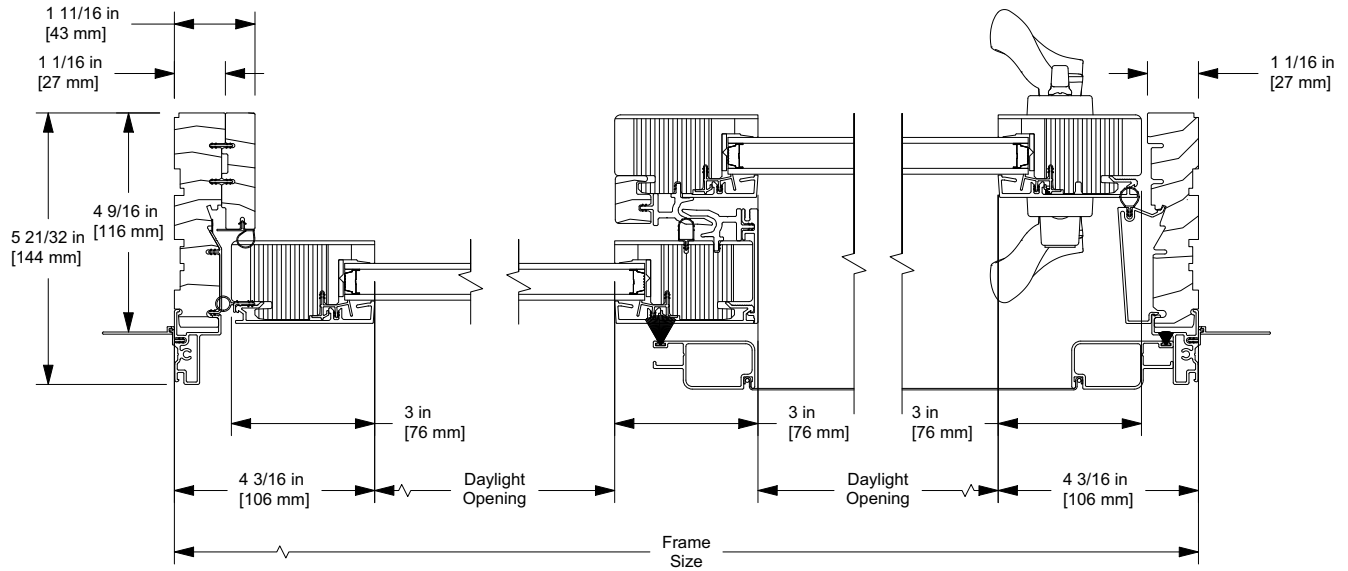
*NOTE: Due to the inherent qualities of tempered glass, daylight gaps may be seen when using simulated divided lite bars. Daylight gaps could be visible between the internal spacer bar and surface applied bars when viewing from an acute angle to the glass on the following applications:*

- Tempered glass over 72" high while using 5/8" SDL bars
- Tempered glass over 91" high while using 7/8" SDL bars.

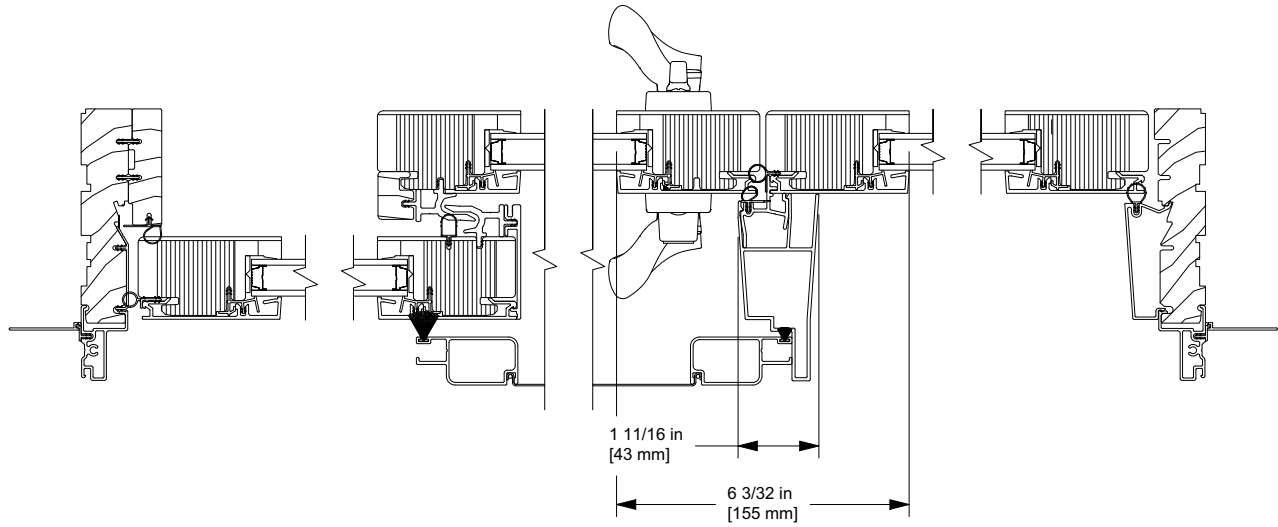


**Section Details: Operating Tripane (2 1/4" Panels, Horizontal)**

Scale: 3" = 1' 0"



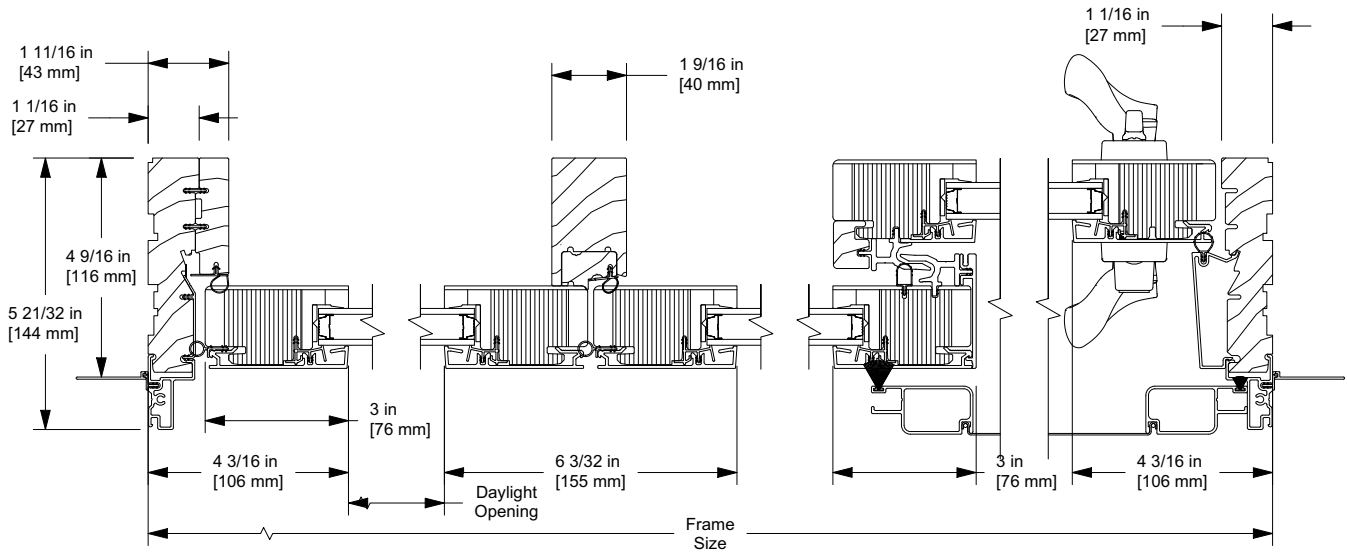
**OX 4 9/16 inch Jamb**



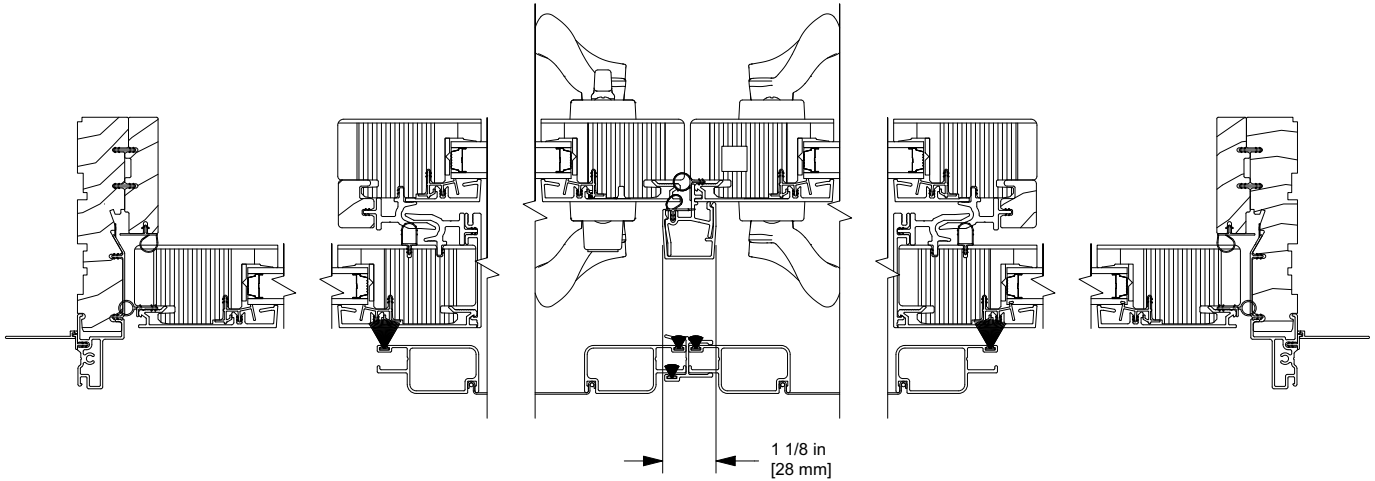
**OXO 4 9/16 inch Left Hand Jamb**

**Section Details: Operating Tripane (2 1/4" Panels, Horizontal)**

Scale: 1 1/2" = 1' 0"



**OOX 4 9/16 inch Jambs**

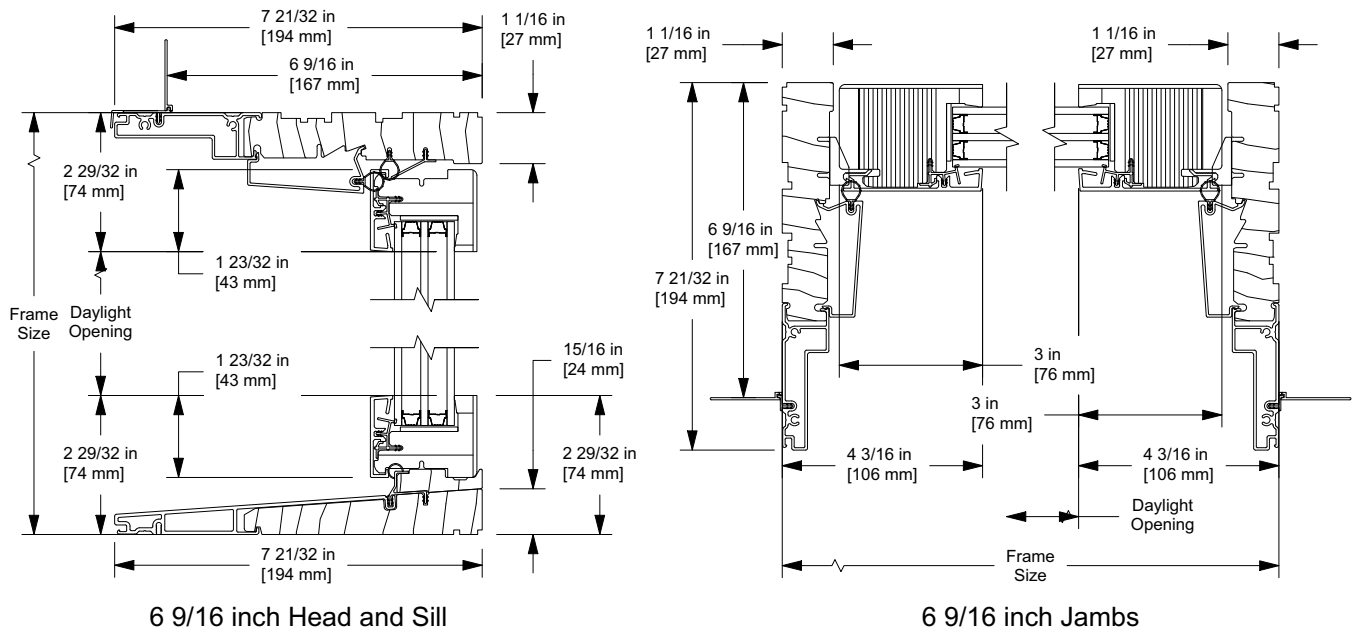


**OXXO 4 9/16 inch Left Hand Jambs**

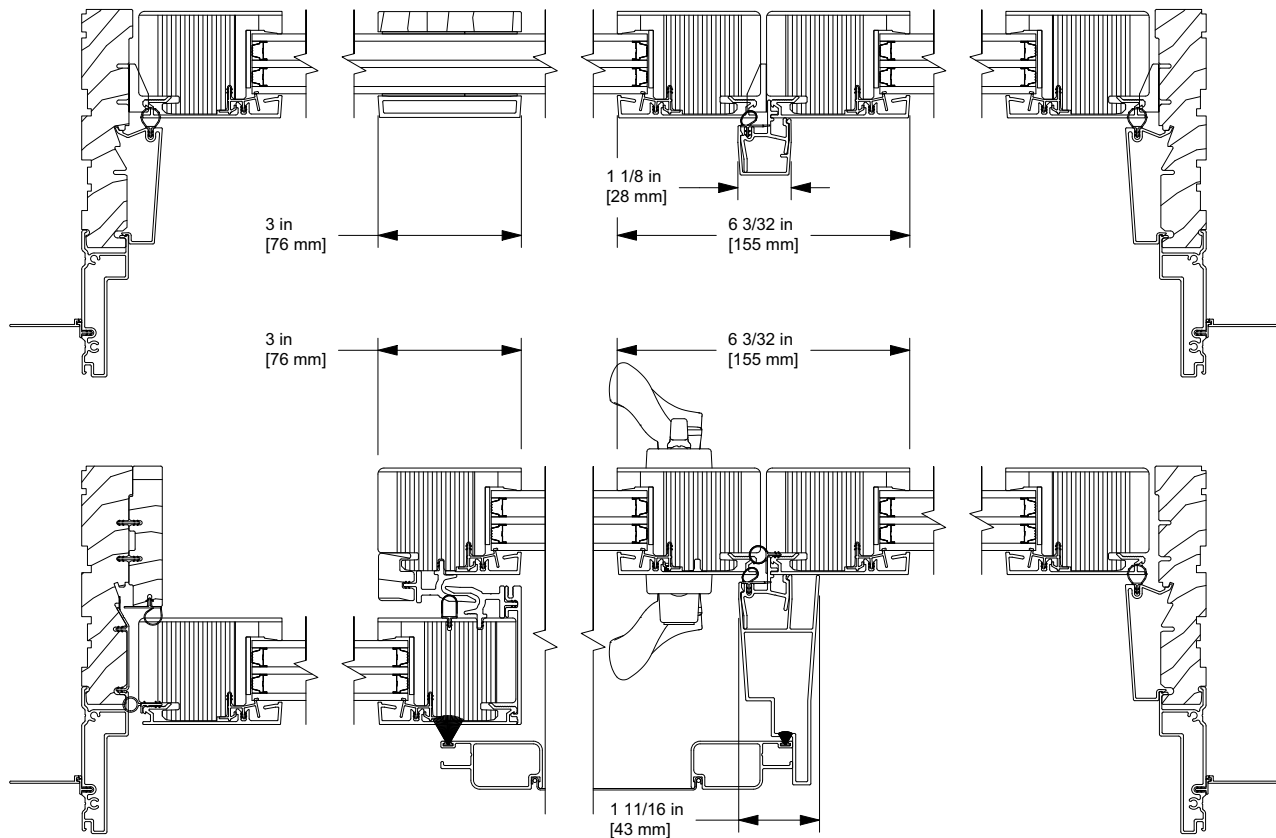


**Section Details: Transoms Tripane (2 1/4" Panels)**

Scale: 3" = 1' 0"

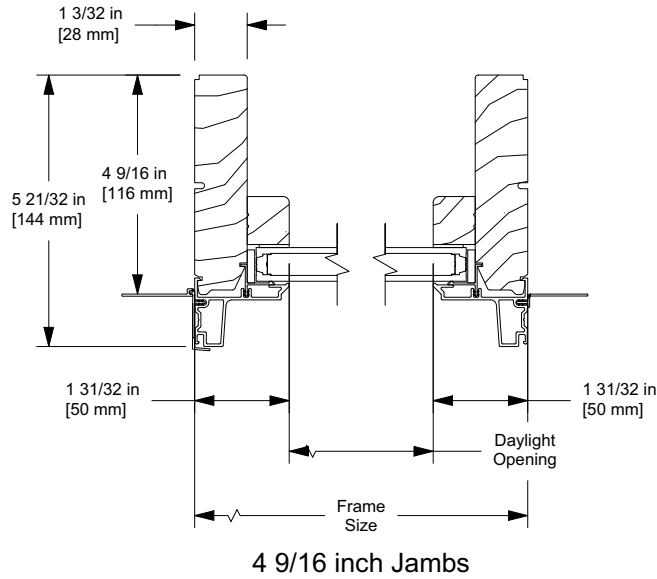
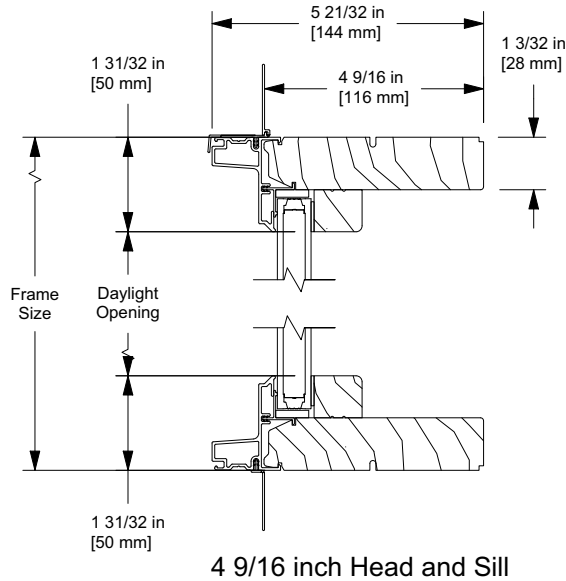


**1 Frame/2 Sash Transom Aligned over OXO Left Hand Door**  
 Transom 3 inch SDL Bar Aligned over USD Interlock Stiles  
 Transom Meeting Stiles Aligned over USD Meeting Stiles



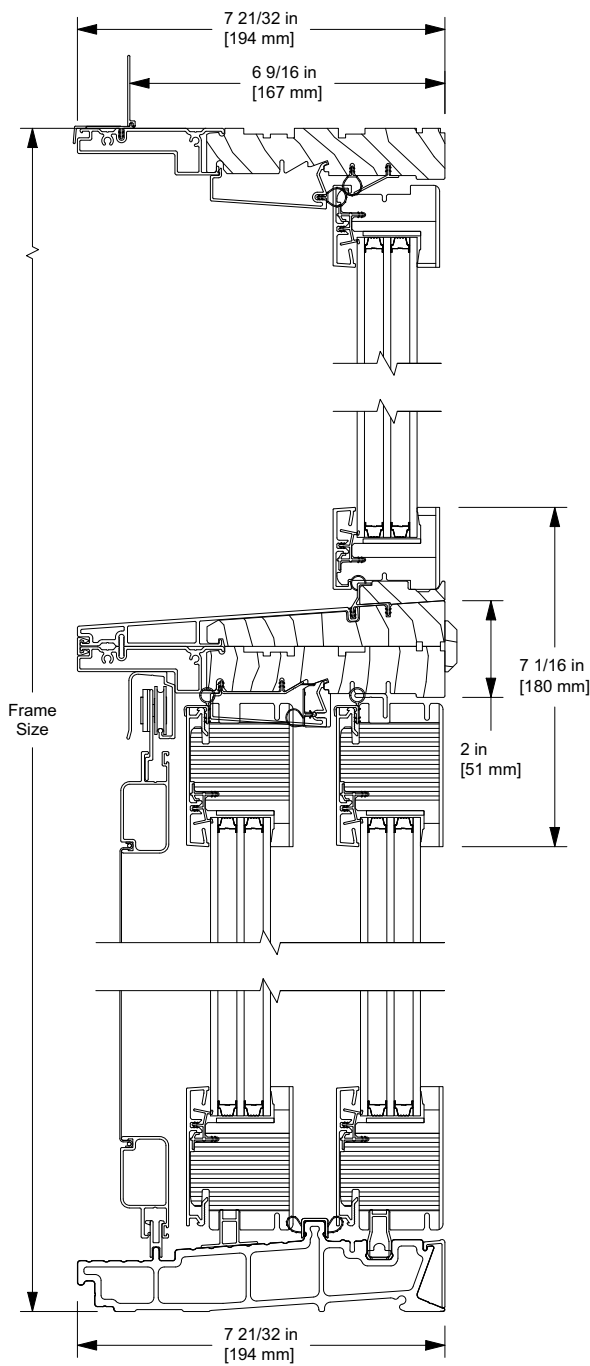
**Section Details: Direct Glaze Rectangles (1 3/4" Panels)**

Scale: 3" = 1' 0"

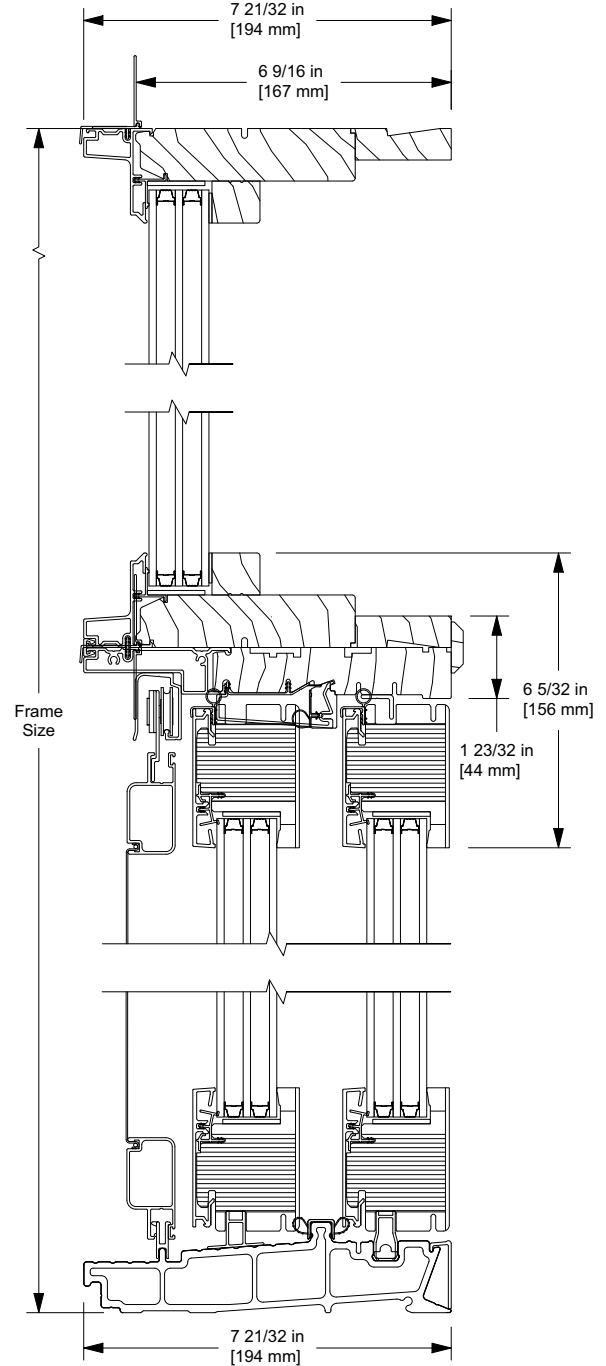


**Section Details: Transom Mull Tripane (2 1/4" Panels)**

Scale: 3" = 1' 0"



6 9/16 inch In Sash Transom Mull over USD2.25



6 9/16 inch Direct Glaze Mull over USD2.25