

Modern Swinging Doors

| | |
|---------------------------------------------------------------|----|
| Unit Features..... | 1 |
| Modern Swinging Doors Conversion Measurements..... | 4 |
| Certified Sizes and Ratings..... | 6 |
| Minimum and Maximum Guidelines..... | 7 |
| Inswing Section Details: Operating (Dual Pane)..... | 8 |
| Inswing Section Details: Operating (Tripane)..... | 9 |
| Inswing Section Details: Stationary (Dual Pane)..... | 10 |
| Inswing Section Details: Stationary (Tripane)..... | 11 |
| Inswing Section Details: Standard Swinging Door Screens..... | 12 |
| Inswing Section Details: Egress..... | 13 |
| Outswing Section Details: Operating (Dual Pane)..... | 14 |
| Outswing Section Details: Operating (Tripane)..... | 15 |
| Outswing Section Details: Stationary (Dual Pane)..... | 16 |
| Outswing Section Details: Stationary (Tripane)..... | 17 |
| Outswing Section Details: Standard Swinging Door Screens..... | 18 |
| Outswing Section Details: Egress..... | 19 |
| Divided Lite Options..... | 20 |

Unit Features

Modern Abbreviations

Modern Inswing Door: MID

Modern Outswing Door: MOD

- All Door units are shipped knocked-down (KD).

Frame:

- Frame is constructed of High Density Fiberglass with interior aluminum covers.
- Frame is 1 7/16" (36) thick.
- Frame consists of jamb(s), head jamb.
- 2" Vinyl Nailing Fin.

Sill:

- Sill material is High Density Fiberglass and is available in Bronze or Ebony. Aluminum sill covers are color matched to sill.
- Three sill options are available: Performance Sill, Low Profile Sill and Saddle Sill. All sill types require a pan to be installed on site.
- Performance Sill includes a taller sill cover for water performance. This sill has a nominal height of 2" (50) and a nominal width of 4 1/2" (114). Does not meet ADA height requirements.
- Low Profile Sill has a nominal height of 1 9/16" (40) and a nominal width of 4 1/2" (114). Meets ADA requirements if installed properly.
- Saddle Sill is made of thermally broken aluminum and meets ADA requirements. It has a nominal height of 1/2" (13) and a nominal width of 6 1/8" (156).
- Performance Sill and Low Profile Sill include an exterior weep with optional hose adapter for water, weeps must remain clear and free of obstruction.

Panel:

- Stiles and Rails are High Density Fiberglass with interior aluminum.
- 2 1/4" (56) thick-nominal with corner key fastened corners.
- All Stiles and Rail are 3 3/8" (86) overall.
- Aluminum glazing cap and cover is applied to interior with a weather strip that seats against the glass.

Hardware:

- Multi-point lock
 - 35mm back-set
 - Active panel
 - Latch and 3 locking points (Dead bolt, Sill bolt, Head jamb bolt)
 - Passive panel
 - Multi-point is standard on all passive panels
 - 2 locking points (Sill bolt, Head jamb bolt)
- Minimalist handle set finish options:
 - Keyed alike available
 - Matte Black (painted), Matte Bronze (painted), Stone White (painted), Satin Nickel (plated), Silver (plated)
 - Optional: Mixed Finishes
- Stainless Steel Lock Box
- Stainless Steel Strike Plates
 - Inswing Strike Plate finishes defaults based on interior trim set selection
 - Outswing Strike Plate finishes defaults based on the exterior trim set selection
 - Brushed stainless steel strikes will be used in conjunction with Stone White, Satin Nickel, or Silver trim sets.
 - Matte Black strikes will be used in conjunction with Matte Black or Matte Bronze trim sets.

Hinges:

- Adjustable hinges
 - Aluminum substrate with stainless steel pin
 - Matte Black (Painted), Matte Bronze (painted), Stone White (painted), Satin Nickel (anodized), Brushed Silver (anodized)
 - Dimensions are 7" (178) x 2 7/32" (56)
 - Adjustment is 0.210" (5) for horizontal and 0.150" (4) vertical of panels in frame
 - Two hinges per panel up to 144" frame height
 - Recessed application with color matched hinge escutcheon

Unit Features Continued**Glass and Glazing:**

- All glass is of select quality complying with commercial industry standards. Glass is IGCC certified.
- Preserve film applied on interior and exterior panes.
- Glazing seal: Black silicone beading, exterior
- Dual-pane insulating glass thickness: 15/16" (23) or 1 1/4" (32).
- Triple-pane insulating glass thickness: 1 1/4" (32).
- Insulating Glass Coatings: Low E1, Low E2, Low E3, Low ERS, Low ELR
- Gas Fill: Air, Argon
- Other Glass Types: Gray or Bronze Tint, Obscure, Frost
- Glass panes are based on overall unit size and may be 3.1, 3.9, 4.7, 5.7 and 8.0 mm thicknesses
- Low ELR units to 5.7mm sizes and below
- Tint limited to 5.7mm pane thickness and 15/16" glass make-up.
- Frost is limited to 5.7mm and 3.9mm pane thicknesses
- Obscure (Pattern 62) glass is limited to 4.7mm pane thickness and below
- Black Spacer Bar
 - Black Stainless Steel Spacer

Weather Strip:

- All weather strip will be black.
- All units are constructed with vinyl weather strip within the frame, panel and astragal. Weather Strip exposed to the exterior is UV resistant material.

Screen:

- Exterior-applied screen for Inswing doors
- Interior-applied screen for Outswing doors
- Not available with Saddle Sill
 - Screen Frame colors:
 - Stone White, Bronze, Ebony, Gunmetal, Clear Anodized
 - Options: Screen sill will be ebony or bronze
 - Handle colors: Black or White
- Screen mesh: Vinyl-coated polyester
 - Color: Black
- Sill screen either Ebony or Bronze.
- Uni-Directional screen
 - Open from left to right or right to left
 - Maximum screen frame OM width for screen frame height up to 125.984"
 - Symmetric stiles: 81.496"
 - Non-Symmetric stiles: 79.724" (OX or XO Modern Inswing Door configuration only)
 - Maximum screen frame OM width for screen frame height over 125.984" and up to 144.191"
 - Symmetric stiles: 52.953"
 - Non-Symmetric stiles: 51.181" (OX or XO Modern Inswing Door configurations only)
- Bi-parting screen
 - Screens open from each side and meet together
 - Screen pull bar meeting location will be at the center of the door meeting stiles
 - Maximum screen frame OM width for screen frame height up to 125.984" is 157.480"
 - Maximum screen frame OM width for screen frame height over 125.984" and up to 144.191" is 100.394"

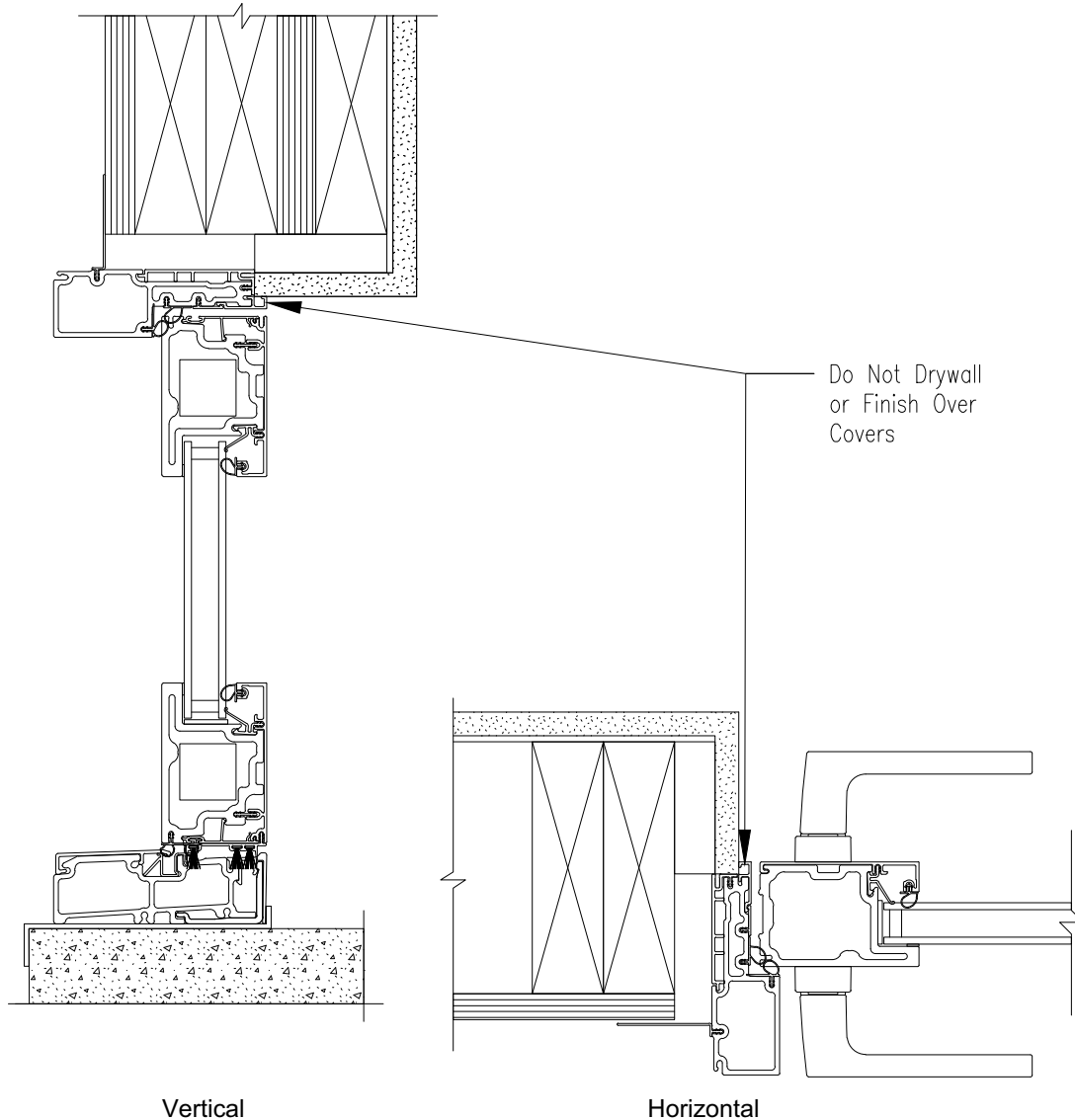
Unit Features Continued

Lock Status Sensor (Optional):

- Refer to **Lock Status Sensor Installation Instructions** for requirements.
- To achieve a closed and locked status, the Lock Status Sensor requires that the door must be closed to depress the anti-slam mechanism so that the door can be manually locked. It allows easy integration with home automation systems using a wireless connection.
 - Requires purchase of secondary transmitter for operation. Marvin will prep for this option. Wired connection not available.
- Wireless Lock Status Sensor is located within the operating panel.
- Sensor Location will always be in the door stile with the trim set lock assembly.

Installation Instructions

- Do not drywall/finish over covers so that they can be serviced if needed.



Modern Swinging Doors Conversion Measurements

(Width)

| Configuration | Unit Measurements | | Width | | |
|---------------|-----------------------------------------------------------------|---------------|-----------|-------|--------|
| | From | To | in | mm | Panels |
| All | Rough Opening | | | | |
| | Frame OM | Rough Opening | + 1 1/2 | (38) | |
| | Masonry Opening | Rough Opening | + 1 | (25) | |
| | Glass | | | | |
| | Daylight Opening | Glass | + 1 31/64 | (38) | |
| | Screen | | | | |
| | Frame OM | Screen OM | + 2 21/32 | (67) | |
| | Screen OM | Screen IM | - 5 33/64 | (140) | |
| | Screen OM | Screen RO | + 1 | (25) | |
| | Exterior Mounted Screen for OX/XO (Used on Inswing Door) | | | | |
| | Operator Panel OM | Screen OM | + 3 3/32 | (78) | |
| | Screen OM | Screen IM | - 3 47/64 | (95) | |
| | Screen OM | Screen RO | + 1/2 | (13) | |

| Configuration | Unit Measurements | | Width | | |
|---------------|-------------------------|-------------------|-----------|-------|--------|
| | From | To | in | mm | Panels |
| O | Stationary Panel | | | | |
| | Frame OM | Panel OM | -1 31/32 | (50) | |
| | Daylight Opening | Panel OM | + 6 49/64 | (172) | |
| | Panel OM | Net Clear Opening | NA | (00) | |

| Configuration | Unit Measurements | | Width | | |
|---------------|----------------------|-------------------|-----------|-------|--------|
| | From | To | in | mm | Panels |
| X | Primary Panel | | | | |
| | Frame OM | Panel OM | -1 31/32 | (50) | |
| | Daylight Opening | Panel OM | + 6 49/64 | (172) | |
| | Inswing Panel OM | Net Clear Opening | - 3 15/64 | (82) | |
| | Outswing Panel OM | Net Clear Opening | - 2 61/64 | (75) | |

| Configuration | Unit Measurements | | Width | | |
|---------------|----------------------------------|-------------------|-----------|-------|--------|
| | From | To | in | mm | Panels |
| OX or XO | Primary, Stationary Panel | | | | |
| | Frame OM | Panel OM | -2 9/64 | (55) | ÷ 2 |
| | Daylight Opening | Panel OM | + 6 49/64 | (172) | |
| | Inswing Panel OM | Net Clear Opening | - 3 17/64 | (83) | |
| | Outswing Panel OM | Net Clear Opening | - 2 31/32 | (76) | |

| Configuration | Unit Measurements | | Width | | |
|---------------|--------------------------------|-------------------|-----------|-------|--------|
| | From | To | in | mm | Panels |
| XX | Primary, Inactive Panel | | | | |
| | Frame OM | Panel OM | -2 9/64 | (55) | ÷ 2 |
| | Daylight Opening | Panel OM | + 6 49/64 | (172) | |
| | Inswing Frame OM | Net Clear Opening | - 8 3/8 | (213) | |
| | Outswing Frame OM | Net Clear Opening | - 7 51/64 | (198) | |

Modern Swinging Doors Conversion Measurements

Height

| Unit Measurements | | Height | | | | | |
|--------------------------|---------------|------------------|-------|------------------|-------|-------------|-------|
| | | Performance Sill | | Low Profile Sill | | Saddle Sill | |
| From | To | in | mm | in | mm | in | mm |
| Rough Opening | | | | | | | |
| Frame OM | Rough Opening | + 3/4 | (19) | + 3/4 | (19) | + 3/4 | (19) |
| Masonry Opening | Rough Opening | + 1/2 | (13) | + 1/2 | (13) | + 1/2 | (13) |
| All Panels | | | | | | | |
| Frame OM | Panel OM | -2 47/64 | (70) | - 2 47/64 | (70) | - 1 57/64 | (48) |
| Daylight Opening | Panel OM | + 6 49/64 | (172) | + 6 49/64 | (172) | + 6 49/64 | (172) |
| Glass | | | | | | | |
| Daylight Opening | Glass | + 1 31/64 | (38) | + 1 31/64 | (38) | + 1 31/64 | (38) |
| Screen | | | | | | | |
| Frame OM | Screen OM | + 3/16 | (05) | + 3/16 | (05) | NA | NA |
| Screen OM | Screen IM | -3 3/32 | (78) | - 3 3/32 | (78) | NA | NA |
| Screen OM | Screen RO | + 31/32 | (25) | + 31/32 | (25) | NA | NA |
| Net Clear Opening | | | | | | | |
| Inswing Frame OM | NCO | -3 31/64 | (88) | - 3 3/64 | (77) | -1 59/64 | (49) |
| Outswing Frame OM | NCO | -3 31/64 | (88) | - 3 1/64 | (77) | -1 59/64 | (49) |

Certified Sizes and Ratings

| Modern Inswing Door | | | | | | | | | | |
|-----------------------------------------------------|-------------|------------------|-------------------|---------------------|--------------------------|-------------------|-----------------|---------------|----------------|---------------------------|
| Certification based on AAMA/WDMA/CSA 101/I.S.2/A440 | | | | | | | | | | |
| Product | # of Panels | Sill Type | Air Tested to psf | Water Tested to psf | Structural Tested to psf | Performance Grade | Design Pressure | Overall Width | Overall Height | Applicable Configurations |
| Modern Inswing Door (O) | 1 | Performance Sill | 6.24 | 6 | + 60 - 60 | CW-PG40-FD | + 40 - 40 | 99.246 | 148.018 | O |
| Modern Inswing Door (O) | 1 | Low Profile Sill | 6.24 | 4.5 | + 52.5 - 52.5 | CW-PG30-FD | + 35 - 35 | 99.246 | 148.018 | O |
| Modern Inswing Door (O) | 1 | Performance Sill | 6.24 | 6 | + 60 - 60 | CW-PG40-FD | + 40 - 40 | 147.246 | 100.018 | O |
| Modern Inswing Door (O) | 1 | Low Profile Sill | 6.24 | 4.5 | + 52.5 - 52.5 | CW-PG30-FD | + 35 - 35 | 147.246 | 100.018 | O |
| Modern Inswing Door (XO/OX) Jamb Hinged | 2 | Performance Sill | 6.24 | 6 | + 60 - 60 | LC-PG40-SHD | + 40 - 40 | 96 | 120 | X, O, XO, OX |
| Modern Inswing Door (XO/OX) Jamb Hinged | 2 | Low Profile Sill | 6.24 | 4.5 | + 45 - 45 | LC-PG30-SHD | + 30 - 30 | 96 | 120 | X, O, XO, OX |
| Modern Inswing Door (XX) Jamb Hinged | 2 | Performance Sill | 6.24 | 6 | + 60 - 60 | LC-PG40-SHD | + 40 - 40 | 96 | 120 | X, XX |
| Modern Inswing Door (XX) Jamb Hinged | 2 | Low Profile Sill | 6.24 | 4.5 | + 45 - 45 | LC-PG30-SHD | + 30 - 30 | 96 | 120 | X, XX |

| Modern Outswing Door | | | | | | | | | | |
|-----------------------------------------------------|-------------|------------------|-------------------|---------------------|--------------------------|-------------------|-----------------|---------------|----------------|---------------------------|
| Certification based on AAMA/WDMA/CSA 101/I.S.2/A440 | | | | | | | | | | |
| Product | # of Panels | Sill Type | Air Tested to psf | Water Tested to psf | Structural Tested to psf | Performance Grade | Design Pressure | Overall Width | Overall Height | Applicable Configurations |
| Modern Outswing Door (O) | 1 | Performance Sill | 6.24 | 6 | + 60 - 60 | CW-PG40-FD | + 40 - 40 | 99.246 | 148.018 | O |
| Modern Outswing Door (O) | 1 | Low Profile Sill | 6.24 | 4.5 | + 45 - 45 | CW-PG30-FD | + 30 - 30 | 99.246 | 148.018 | O |
| Modern Outswing Door (O) | 1 | Performance Sill | 6.24 | 6 | + 60 - 60 | CW-PG40-FD | + 40 - 40 | 147.246 | 100.018 | O |
| Modern Outswing Door (O) | 1 | Low Profile Sill | 6.24 | 4.5 | + 45 - 45 | CW-PG30-FD | + 30 - 30 | 147.246 | 100.018 | O |
| Modern Outswing Door (XO/OX) Jamb Hinged | 2 | Performance Sill | 6.24 | 6 | + 60 - 60 | LC-PG40-SHD | + 40 - 40 | 96 | 120 | X, O, XO, OX |
| Modern Outswing Door (XO/OX) Jamb Hinged | 2 | Low Profile Sill | 6.24 | 4.5 | + 45 - 45 | LC-PG30-SHD | + 30 - 30 | 96 | 120 | X, O, XO, OX |
| Modern Outswing Door (XX) Jamb Hinged | 2 | Performance Sill | 6.24 | 6 | + 60 - 60 | LC-PG40-SHD | + 40 - 40 | 96 | 120 | X, XX |
| Modern Outswing Door (XX) Jamb Hinged | 2 | Low Profile Sill | 6.24 | 4.5 | + 45 - 45 | LC-PG30-SHD | + 30 - 30 | 96 | 120 | X, XX |

NOTES:

- Certification based on AAMA/WDMA/CSA 101/I.S.2/A440

Minimum and Maximum Guidelines

Dual Pane

| MID, MOD Minimum and Maximum Frame Sizes (Dual Pane IG) | | | | | | | | | | | | |
|------------------------------------------------------------|----------|-------|----------------------------------------------|--------|-------------------------|--------|----------|--------|----------------------------------------------|--------|-------------------------|--------|
| Configuration | Minimum | | | | | | Maximum | | | | | |
| | Width | | Height with Performance and Low Profile Sill | | Height with Saddle Sill | | Width | | Height with Performance and Low Profile Sill | | Height with Saddle Sill | |
| | in | mm | in | mm | in | mm | in | mm | in | mm | in | mm |
| Unit Type | | | | | | | | | | | | |
| O | 16 | (406) | 16 23/32 | (425) | 15 15/16 | (405) | 144 | (3658) | 144 | (3658) | 144 | (3658) |
| X | 19 31/32 | (507) | 50 1/16 | (1272) | 49 7/32 | (1250) | 48 57/64 | (1242) | 144 | (3658) | 144 | (3658) |
| OX or XO* | 34 3/16 | (868) | 50 1/16 | (1272) | 49 7/32 | (1250) | 173 5/64 | (4396) | 144 | (3658) | 144 | (3658) |
| XX | 38 5/32 | (969) | 50 1/16 | (1272) | 49 7/32 | (1250) | 96 | (2438) | 144 | (3658) | 144 | (3658) |

* minimum width reflects unequal panel sizes with 18.000" operator panel width

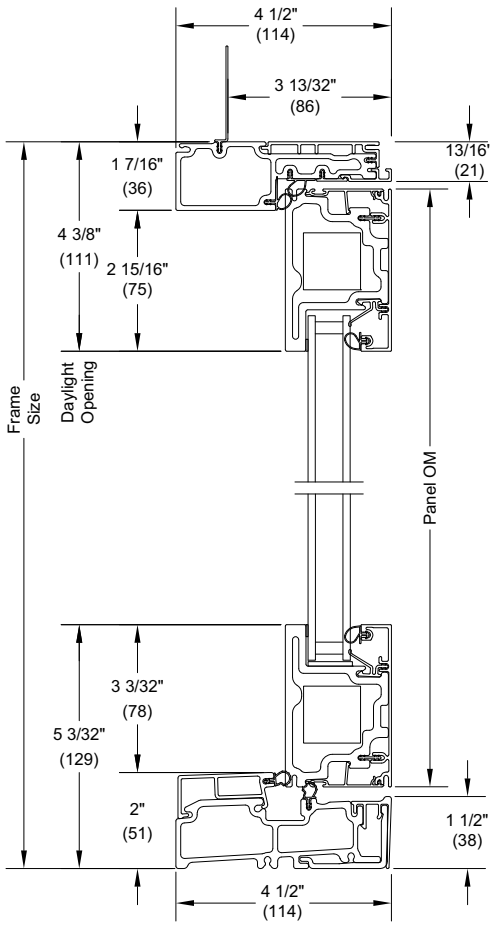
Tripane

| MID, MOD Minimum and Maximum Frame Sizes (Tri-Pane) | | | | | | | | | | | | |
|--------------------------------------------------------|----------|-------|----------------------------------------------|--------|-------------------------|--------|-----------|--------|----------------------------------------------|--------|-------------------------|--------|
| Configuration | Minimum | | | | | | Maximum | | | | | |
| | Width | | Height with Performance and Low Profile Sill | | Height with Saddle Sill | | Width | | Height with Performance and Low Profile Sill | | Height with Saddle Sill | |
| | in | mm | in | mm | in | mm | in | mm | in | mm | in | mm |
| Unit Type | | | | | | | | | | | | |
| O | 16 | (406) | 16 23/32 | (425) | 15 15/16 | (405) | 67 15/64 | (1708) | 98 61/64 | (2513) | 98 11/64 | (2494) |
| X | 19 31/32 | (507) | 50 1/16 | (1272) | 49 7/32 | (1250) | 48 57/64 | (1242) | 98 61/64 | (2513) | 98 11/64 | (2494) |
| OX or XO* | 34 3/16 | (868) | 50 1/16 | (1272) | 49 7/32 | (1250) | 145 11/32 | (3692) | 98 61/64 | (2513) | 98 11/64 | (2494) |
| XX | 38 5/32 | (969) | 50 1/16 | (1272) | 49 7/32 | (1250) | 96 | (2438) | 98 61/64 | (2513) | 98 11/64 | (2494) |

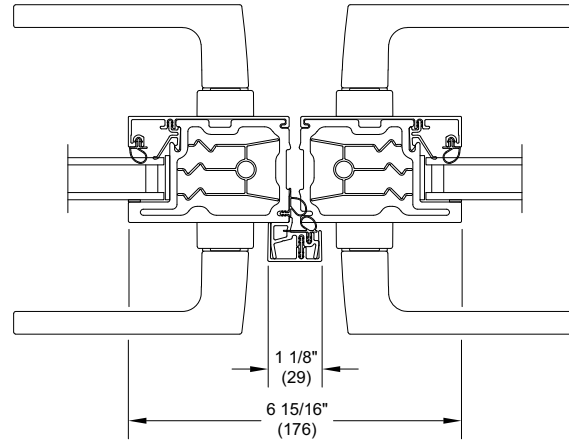
* minimum width reflects unequal panel sizes with 18.000" operator panel width

Inswing Section Details: Operating (Dual Pane)

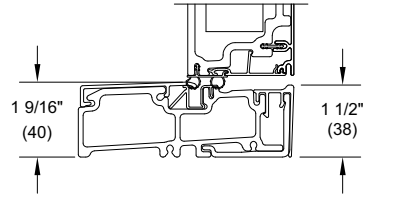
Scale: 3" = 1' 0"



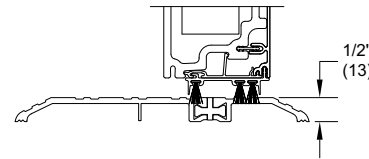
Head Jamb and Performance Sill



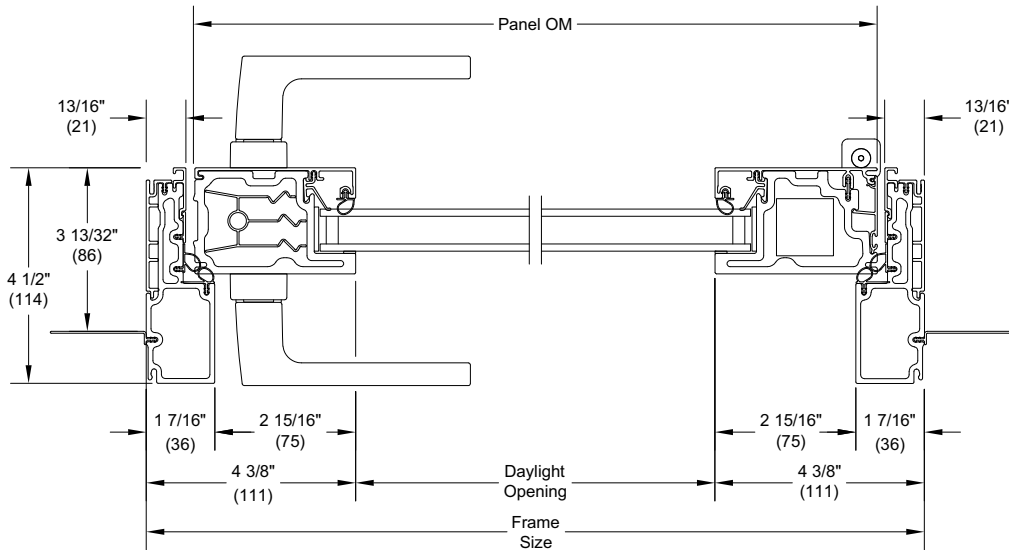
XX R Meeting Stiles



Low Profile Sill



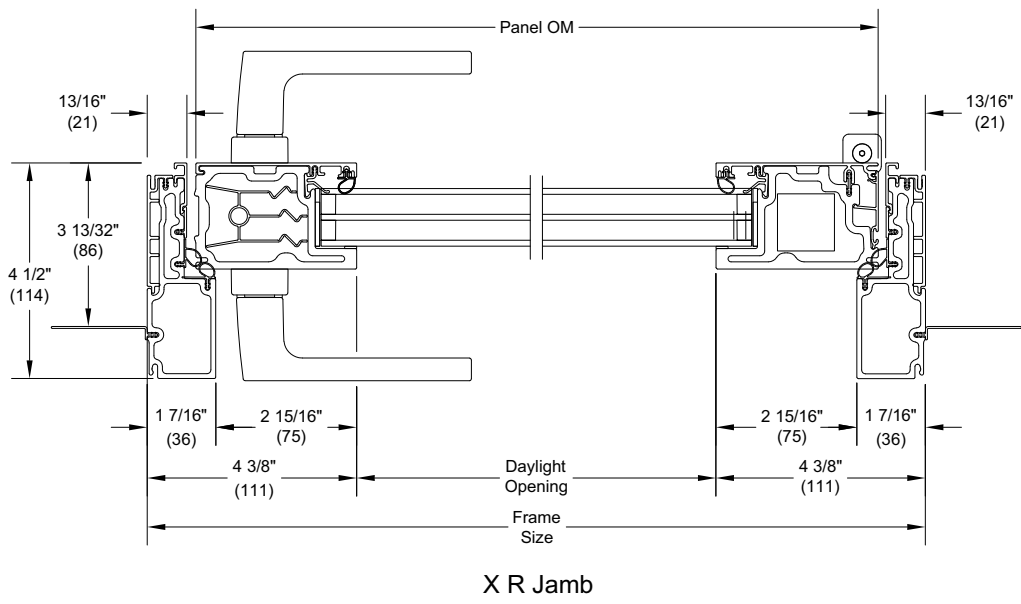
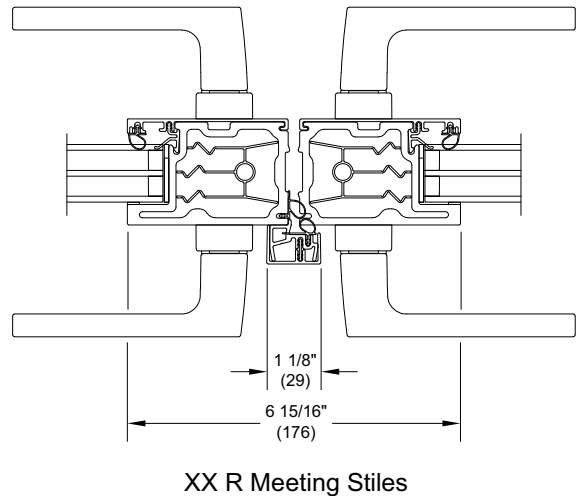
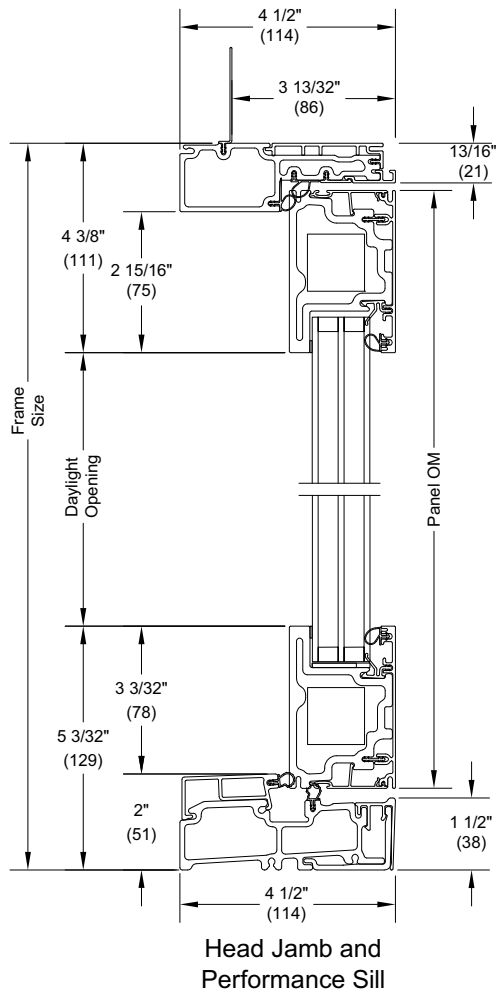
Saddle Sill



X R Jamb

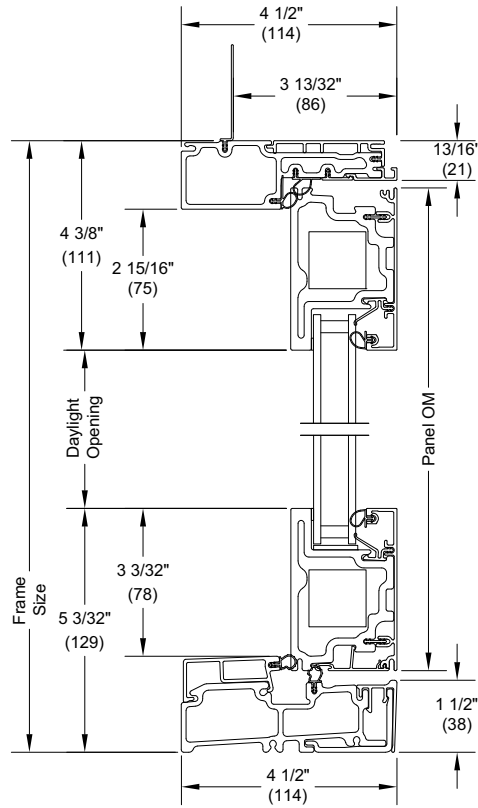
Inswing Section Details: Operating (Tripane)

Scale: 3" = 1' 0"

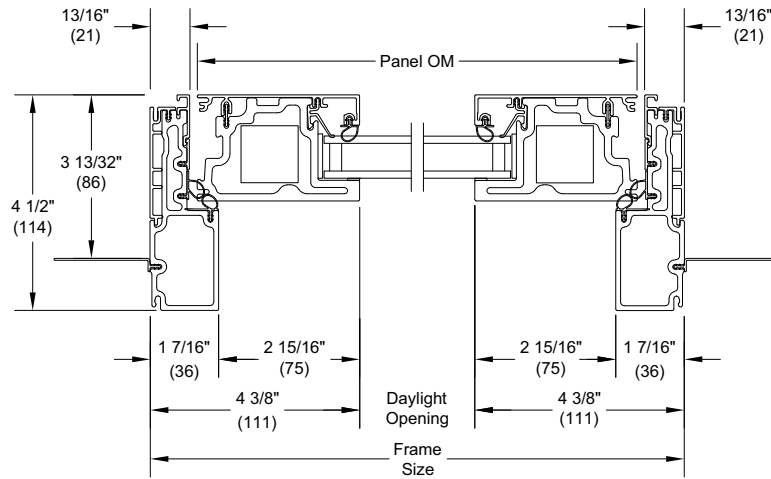


Inswing Section Details: Stationary (Dual Pane)

Scale: 3" = 1' 0"



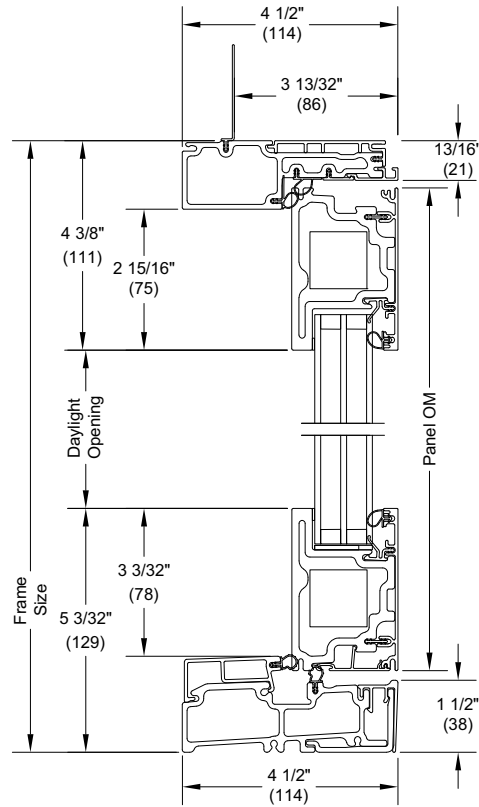
Head Jamb and Sill



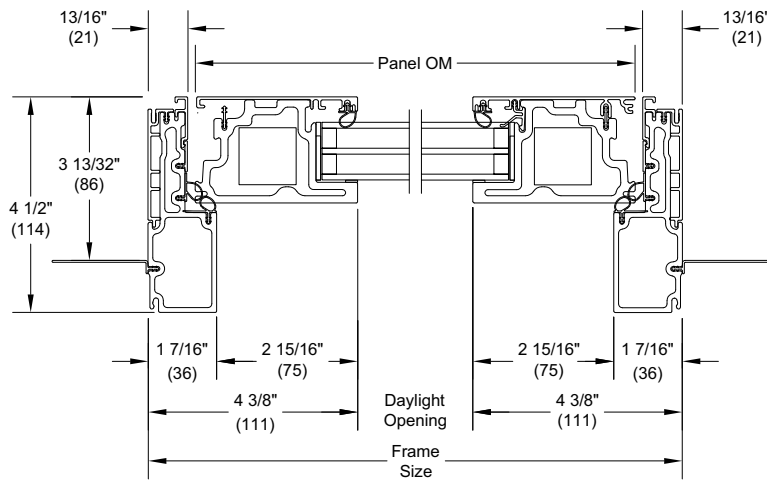
O Jamb

Inswing Section Details: Stationary (Tripane)

Scale: 3" = 1' 0"

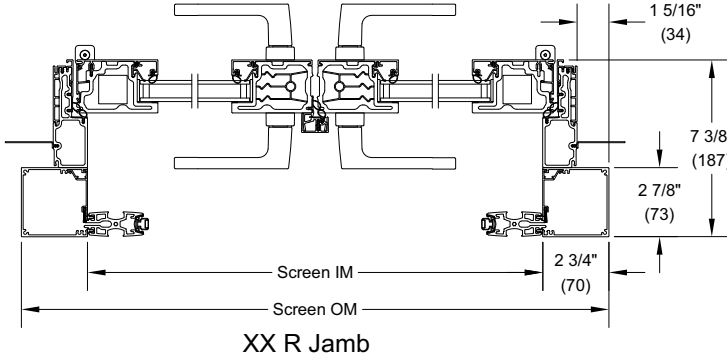
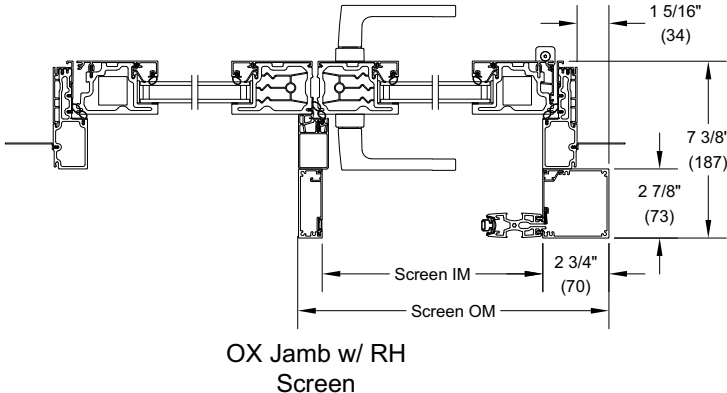
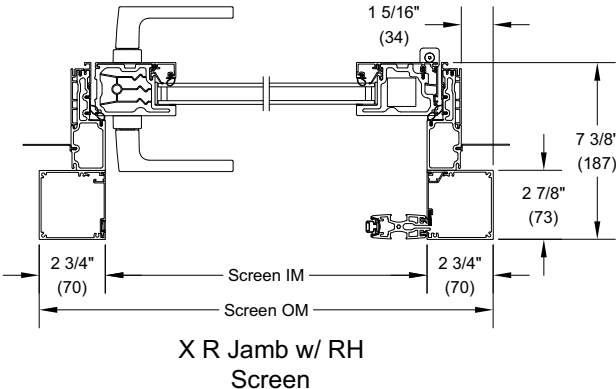
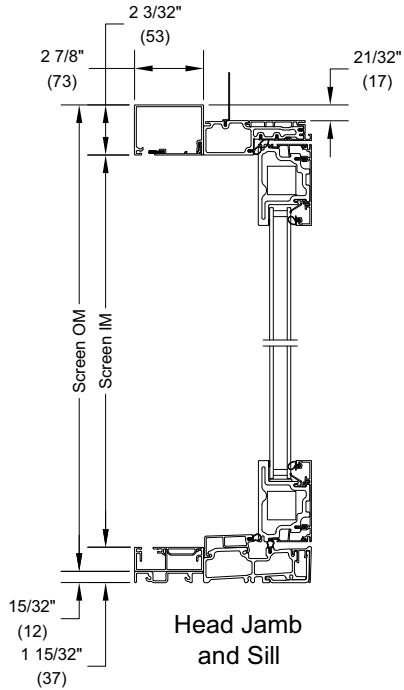


Head Jamb and Sill

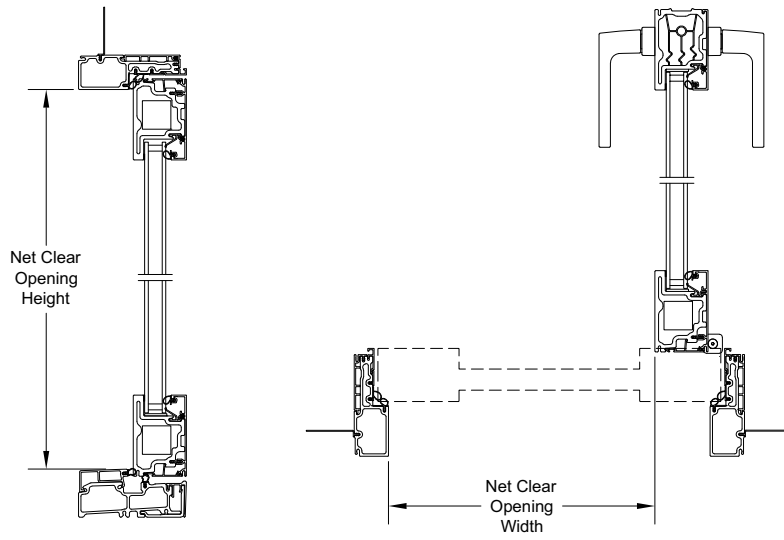


O Jamb

Inswing Section Details: Standard Swinging Door Screens

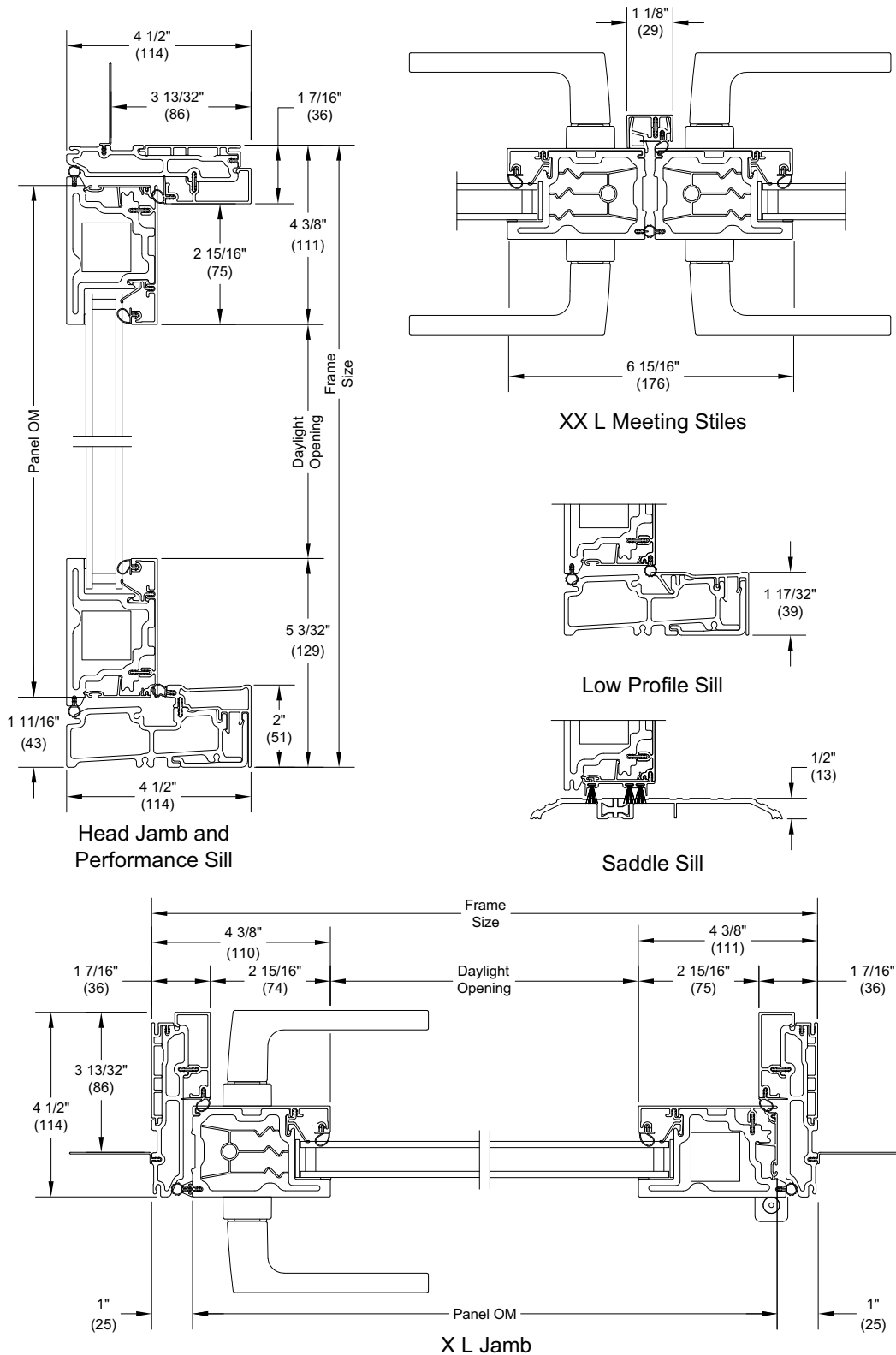


Inswing Section Details: Egress



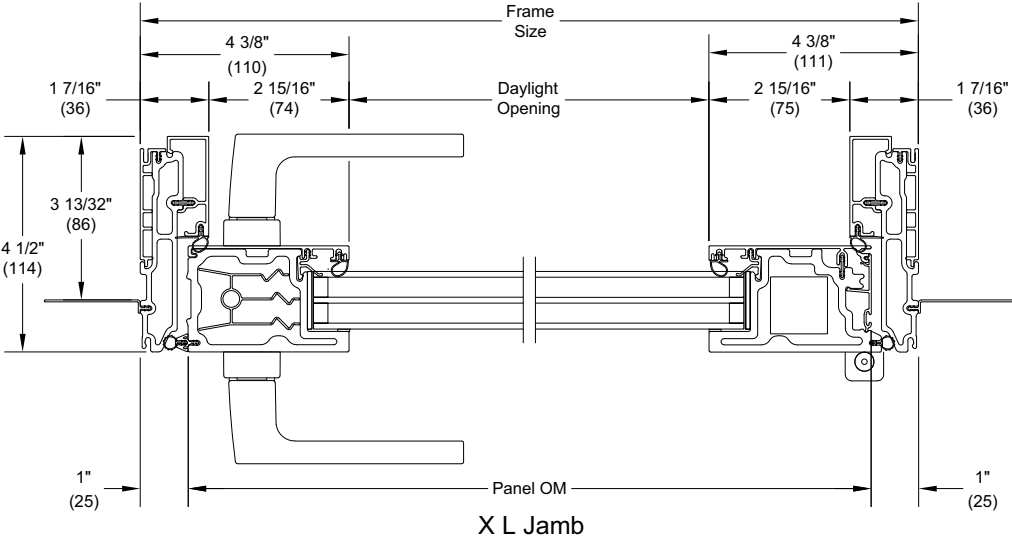
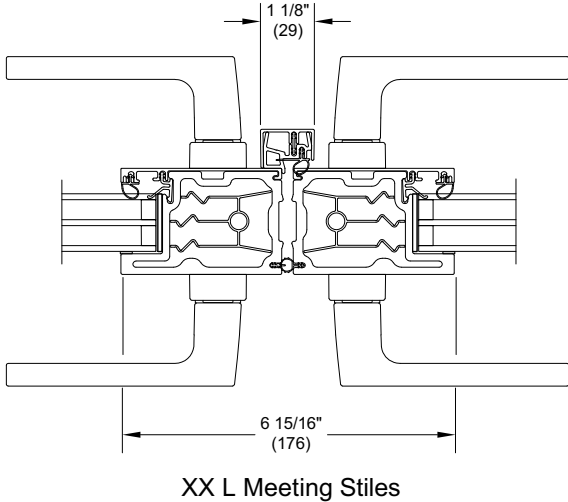
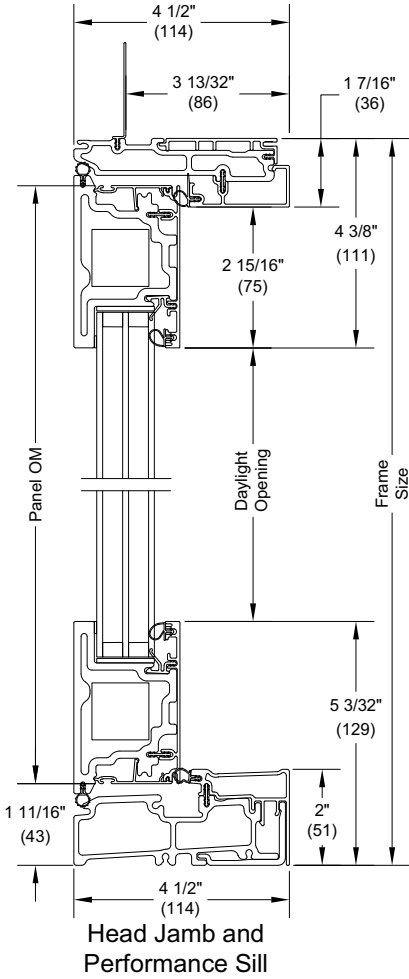
Outswing Section Details: Operating (Dual Pane)

Scale: 3" = 1' 0"



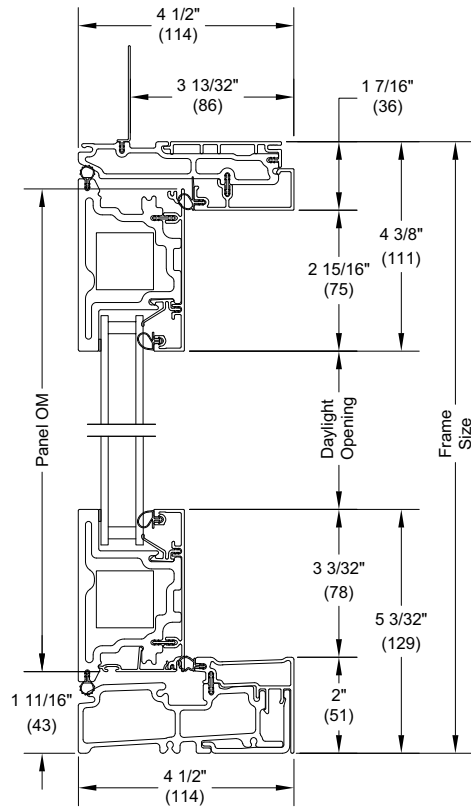
Outswing Section Details: Operating (Tripane)

Scale: 3" = 1' 0"

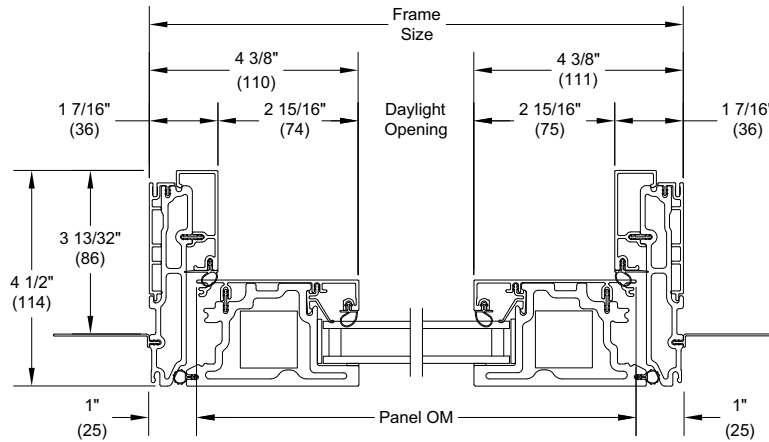


Outswing Section Details: Stationary (Dual Pane)

Scale: 3" = 1' 0"



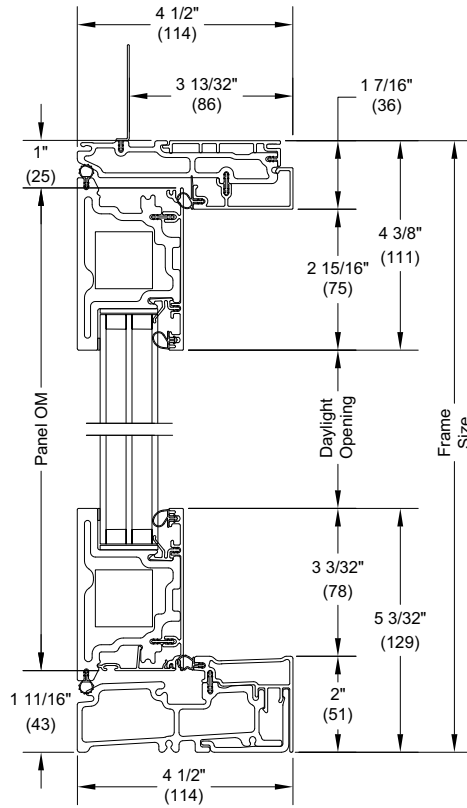
Head Jamb and Sill



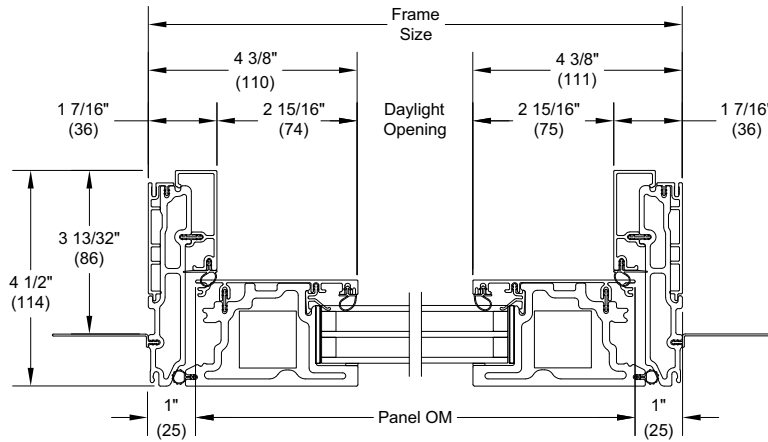
O Jamb

Outswing Section Details: Stationary (Tripane)

Scale: 3" = 1' 0"

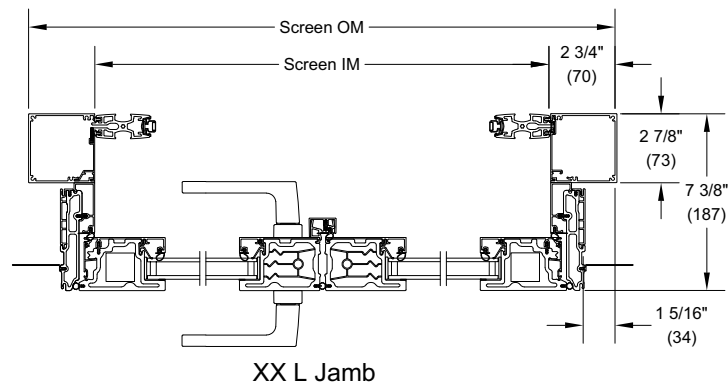
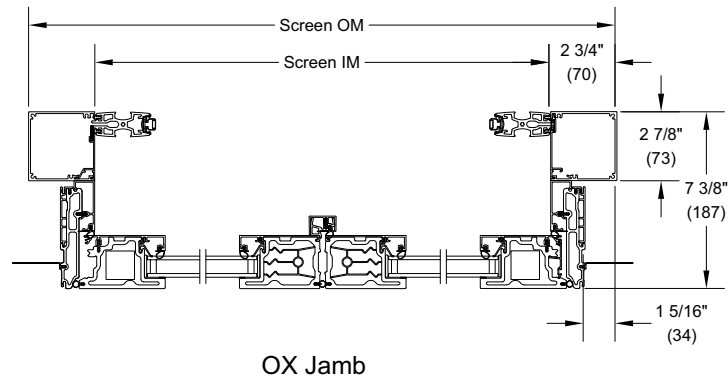
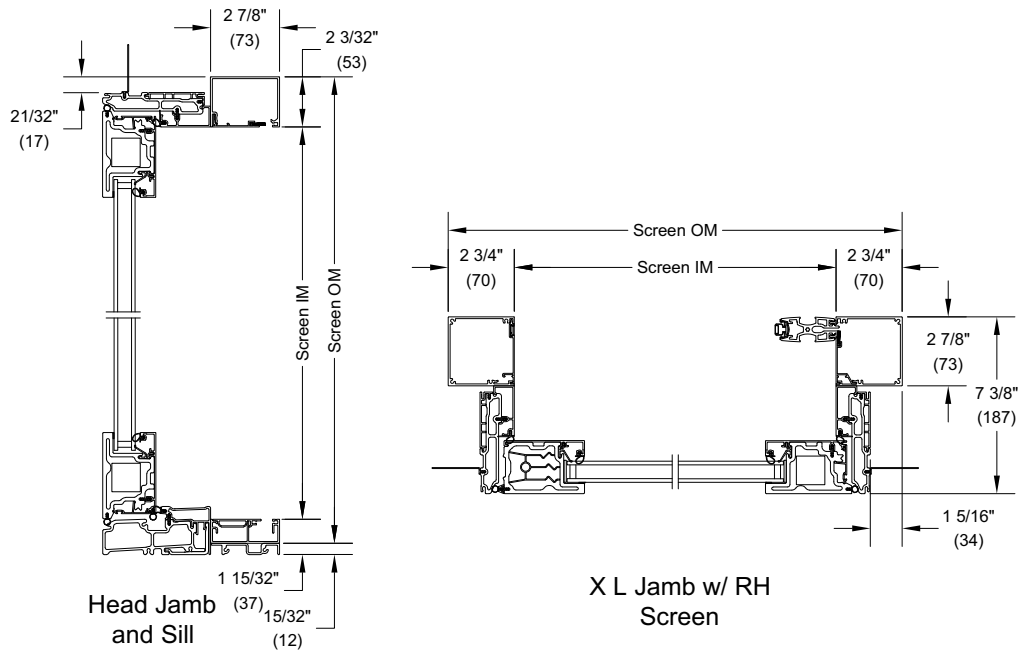


Head Jamb and Sill

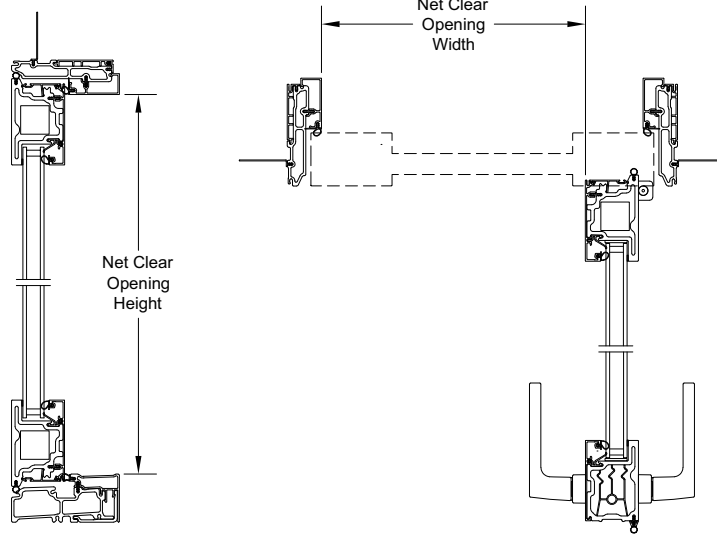


O Jamb

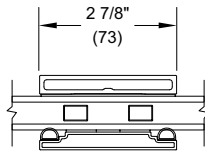
Outswing Section Details: Standard Swinging Door Screens



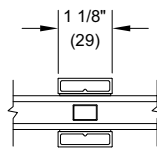
Outswing Section Details: Egress



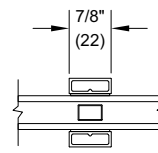
Divided Lite Options



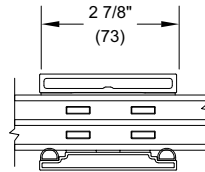
2 7/8" SDL
15/16" Dual Pane



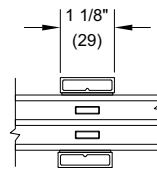
1 1/8" SDL
15/16" Dual Pane



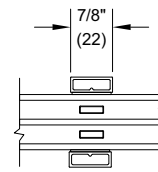
7/8" SDL
15/16" Dual Pane



2 7/8" SDL
1 1/4" Tripane



1 1/8" SDL
1 1/4" Tripane



7/8" SDL
1 1/4" Tripane

NOTE: Due to the inherent qualities of tempered glass, daylight gaps may be seen when using simulated divided lite bars. Daylight gaps could be visible between the internal spacer bar and surface applied bars when viewing from an acute angle to the glass on the following applications:

- Tempered glass over 72" high while using 5/8" SDL bars
- Tempered glass over 91" high while using 7/8" SDL bars.