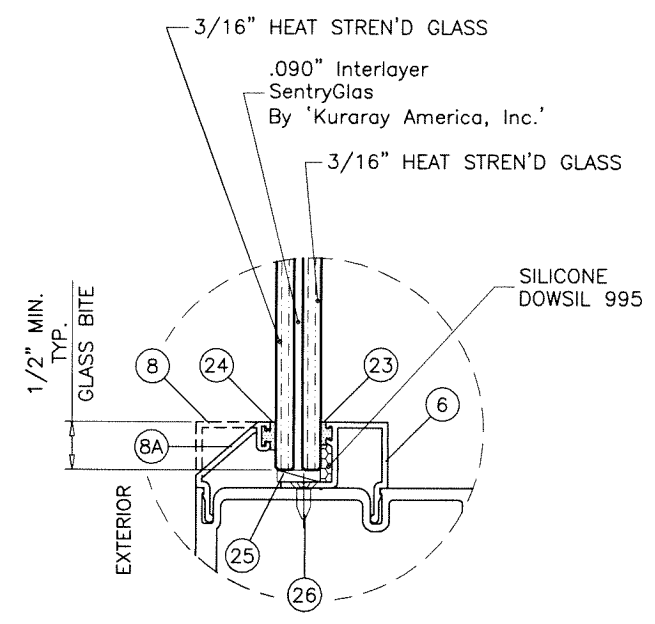


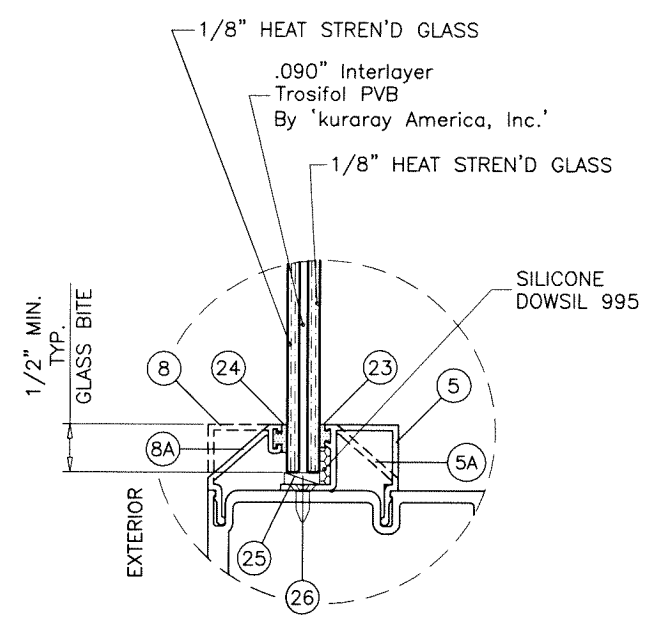


AL-FAROOQ CORPORATION
 ENGINEERS & PRODUCT DEVELOPMENT
 9360 SUNSET DRIVE, SUITE 220
 MIAMI, FLORIDA 33173 (C.A.N. 3538)
 TEL. (305) 264-8100 FAX. (305) 262-6978

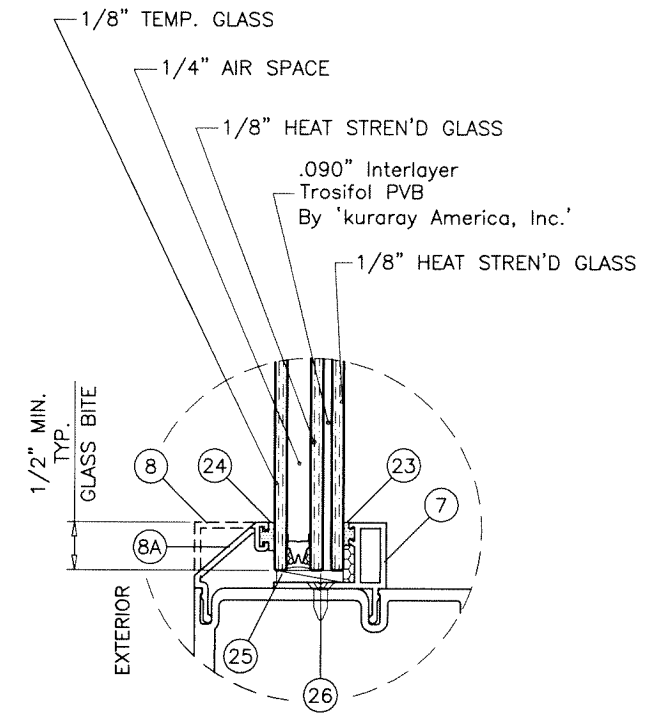
GARAGE\17-01SIW



GLASS TYPE 'G1'
 7/16" OVERALL LAM. GLASS



GLASS TYPE 'G2'
 5/16" OVERALL LAM. GLASS



GLASS TYPE 'G3'
 11/16" OVERALL INSUL. LAM. GLASS

GLAZING OPTIONS

NOTE:
 GLASS CAPACITIES ARE
 BASED ON ASTM E1300-09 (3 SEC. GUSTS)
 AND FLORIDA BUILDING COMMISSION
 DECLARATORY STATEMENT DCA05-DEC-219

THESE DOORS ARE RATED FOR LARGE & SMALL MISSILE IMPACT.
 SHUTTERS ARE NOT REQUIRED.

Coastline Garage Door Glass IZ4 (18'-4")

THIS PRODUCT HAS BEEN DESIGNED AND TESTED TO COMPLY WITH THE REQUIREMENTS OF THE 2020 (7TH EDITION)/2023 (8TH EDITION) FLORIDA BUILDING CODE INCLUDING HIGH VELOCITY HURRICANE ZONE (HVHZ).

1BY OR 2BY WOOD BUCKS & BUCK FASTENERS BY OTHERS, MUST BE DESIGNED AND INSTALLED ADEQUATELY TO TRANSFER APPLIED PRODUCT LOADS TO THE BUILDING STRUCTURE.

ANCHORS SHALL BE CORROSION RESISTANT, SPACED AS SHOWN ON DETAILS AND INSTALLED PER MANUF'S INSTRUCTIONS. SPECIFIED EMBEDMENT TO BASE MATERIAL SHALL BE BEYOND WALL DRESSING OR STUCCO.

A LOAD DURATION INCREASE IS USED IN DESIGN OF ANCHORS INTO WOOD ONLY.

ALL SHIMS TO BE HIGH IMPACT, NON-METALLIC AND NON-COMPRESSIBLE.

MATERIALS INCLUDING BUT NOT LIMITED TO STEEL/METAL SCREWS, THAT COME INTO CONTACT WITH OTHER DISSIMILAR MATERIALS SHALL MEET THE REQUIREMENTS OF THE 2020/2023 FLORIDA BLDG. CODE & ADOPTED STANDARDS.

THIS PRODUCT APPROVAL IS GENERIC AND DOES NOT PROVIDE INFORMATION FOR A SITE SPECIFIC PROJECT, i.e. LIFE SAFETY OF THIS PRODUCT, ADEQUACY OF STRUCTURE RECEIVING THIS PRODUCT AND SEALING AROUND OPENING FOR WATER INFILTRATION RESISTANCE ETC.

CONDITIONS NOT SHOWN IN THIS DRAWING ARE TO BE ANALYZED SEPARATELY, AND TO BE REVIEWED BY BUILDING OFFICIAL.

DESIGN LOADS SHOWN ARE BASED ON 'ALLOWABLE STRESS DESIGN (ASD)'.
 MANUFACTURER'S LABEL SHALL BE LOCATED ON A READILY VISIBLE LOCATION IN ACCORDANCE WITH SECTION 1709.9.3 OF FLORIDA BUILDING CODE.
 LABELING TO COMPLY WITH SECTION 1709.9.2.

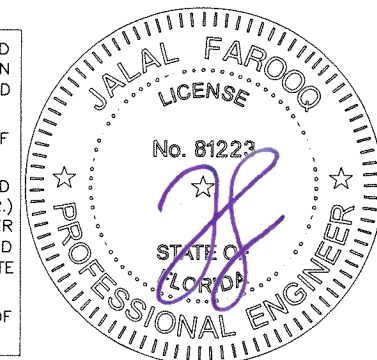
DOORS APPROVED FOR INSTALLATIONS WHERE AIR INFILTRATION RESISTANCE IS REQUIRED.

Test Pressure = 6.24 Psf
 Measured Flow = 0.04 cfm/ft²

Sealed: 7/26/2023

FL #33694

A- CONTRACTOR TO BE RESPONSIBLE FOR THE SELECTION, PURCHASE AND INSTALLATION OF THIS PRODUCT BASED ON THIS PRODUCT EVALUATION PROVIDED HE/SHE DOES NOT DEVIATE FROM THE CONDITIONS DETAILED ON THIS DOCUMENT.
 B- THIS PRODUCT EVALUATION DOCUMENT WILL BE CONSIDERED INVALID IF ALTERED BY ANY MEANS.
 C- SITE SPECIFIC PROJECTS SHALL BE PREPARED BY A FLORIDA REGISTERED ENGINEER OR ARCHITECT WHICH WILL BECOME THE ENGINEER OF RECORD (E.O.R.) FOR THE PROJECT AND WHO WILL BE RESPONSIBLE FOR THE PROPER USE OF THE P.E.D. ENGINEER OF RECORD, ACTING AS A DELEGATED ENGINEER TO THE P.E.D. ENGINEER SHALL SUBMIT TO THIS LATTER THE SITE SPECIFIC DRAWINGS FOR REVIEW.
 D- THIS P.E.D. SHALL BEAR THE DATE AND ORIGINAL SEAL AND SIGNATURE OF THE PROFESSIONAL ENGINEER OF RECORD THAT PREPARED IT.



no	date	by	description
A	08.09.17		GENERAL REVISION
B	12.10.18		COMPANY NAME REV.
C	8.27.20		UPDATED TO 2020 FBC
D	07.25.23		UPDATED TO 2023 FBC

date: 01-24-17
 scale: 1/2" = 1"
 dr. by: TARIQ
 chk. by:

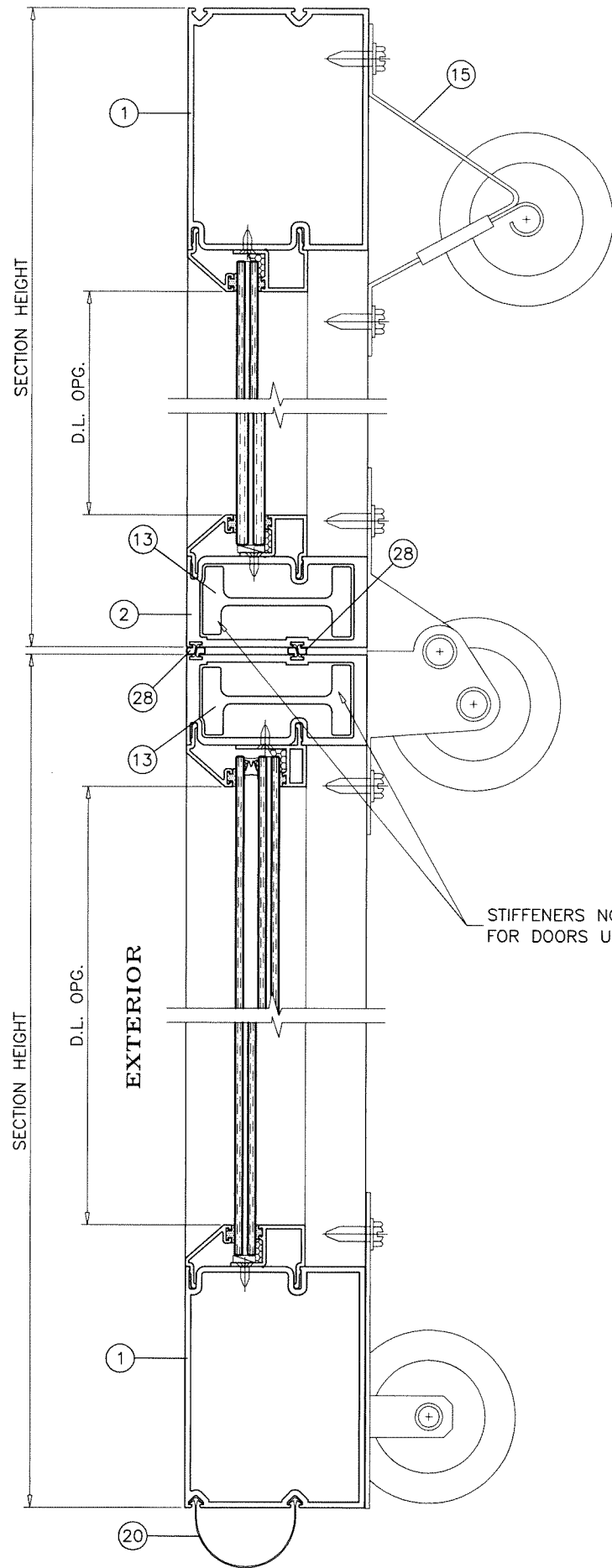
drawing no.
 17-01

sheet 1 of 7

Coastline Garage Door Glass IZ4 (18'-4")



PO Box 100, 401 State Ave. N.
 Warroad, MN. 56763
 Tel. (218) 386-1430 Ext. 2143



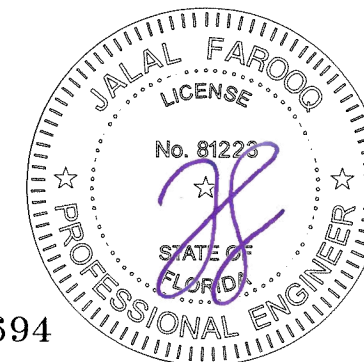
SECTION A-A

ITEM #	PART #	REQD.	DESCRIPTION	MATERIAL	MANF./SUPPLIER/REMARKS
1	SIW2001	2	TOP AND BOTTOM RAIL	6063-T6	-
2	SIW2002	AS REQD.	INTERMEDIATE RAIL	6063-T6	-
3	SIW2004	2/ SECTION	VERTICAL END STILE	6063-T6	-
4	SIW816	AS REQD.	VERTICAL DIVIDER STILE	6063-T6	-
5	SIW2005	4/ SECTION	INTERIOR GLASS STOP (5/16" GLASS)	6063-T6	-
5A	SIW2007	4/ SECTION	ALT. INTERIOR GLASS STOP (5/16" GLASS)	6063-T6	-
6	SIW2012	4/ SECTION	INTERIOR GLASS STOP (7/16" GLASS)	6063-T6	-
7	SIW2013	4/ SECTION	INTERIOR GLASS STOP (INSUL. LAM. GLASS)	6063-T6	-
8	SIW2006	4/ SECTION	EXTERIOR GLASS STOP	6063-T6	-
8A	SIW2008	4/ SECTION	ALT. EXTERIOR GLASS STOP	6063-T6	-
9	SIW2009	AS REQD.	SEAL HOUSING	6063-T6	-
10	SIW303	AS REQD.	SNAP COVER	6063-T6	-
11	AMSL301	2	DOOR TRACK	GALV. STEEL	-
12	AMSL300	2	INSTALLATION ANGLE	GALV. STEEL	-
13	SIW2003	AS REQD.	STIFFENER	6063-T6	REQD. FOR DOORS ABOVE 16'-2" WIDE
14	H101	AS REQD.	UNIVERSAL HINGES	ST. STEEL	-
14A	H102	AS REQD.	UNIVERSAL HINGES (CUT DOWN)	ST. STEEL	-
15	H103	2	TOP FIXTURE	ST. STEEL	-
16	H104	2	BOTTOM FIXTURE	ST. STEEL	-
17	H106	AS REQD.	OVERHEAD CUT DOWN HINGE	ST. STEEL	-
18	H105	2	STANDARD LOCK	-	-
19	SIW2017	AS REQD.	3" ROLLER WITH 11" STEM	STEEL	-
20	SIW2011	1	BOTTOM SEAL	SANTOPRENE	CENTRAL PLASTICS
21	SIW2010	AS REQD.	OUTER SEAL	POLYPROPYLENE	MELTPPOINT PLASTICS
22	SIW2019	-	ROD TIP	ST. STEEL	-
23	E20218	AS REQD.	INTERIOR GLAZING GASKET	TPE	ULTRAFAB
24	5530	AS REQD.	EXTERIOR GLAZING GASKET	SANTOPRENE	CENTRAL PLASTICS, DUROMETER 70±5 SHORE A
25	-	2/ LITE	SETTING BLOCKS AT 1/4 POINTS	EPDM	DUROMETER 85±5 SHORE A
26	#8 X 1/2"	AS REQD.	GLASS STOP SCREWS	ST. STEEL	FH SELF DRILLING, AT 6" FROM ENDS & 24" O.C.
27	H107	2	5/32" SPRING LIFT CABLE	ST. STEEL	-
28	SIW811	AS REQD.	BULB W'STRIPPING AT INTERMEDIATE RAIL	PVC	-
29	#12 X 2"	AS REQD.	ASSEMBLY FASTENERS	ST. STEEL	PH SMS

STIFFENERS NOT REQD.
FOR DOORS UPTO 16'-2" WIDE

Sealed: 7/26/2023

FL #33694



afc

AL-FAROOQ CORPORATION
ENGINEERS & PRODUCT DEVELOPMENT
9360 SUNSET DRIVE, SUITE 220
MIAMI, FLORIDA 33173 (C.A.N. 3538)
TEL. (305) 264-8100 FAX. (305) 262-6978

Coastline Garage Door Glass IZ4 (18'-4")

MARVIN

PO Box 100, 401 State Ave. N.
Warroad, MN. 56763
Tel. (218) 386-1430 Ext. 2143

revisions:	no.	date	by	description

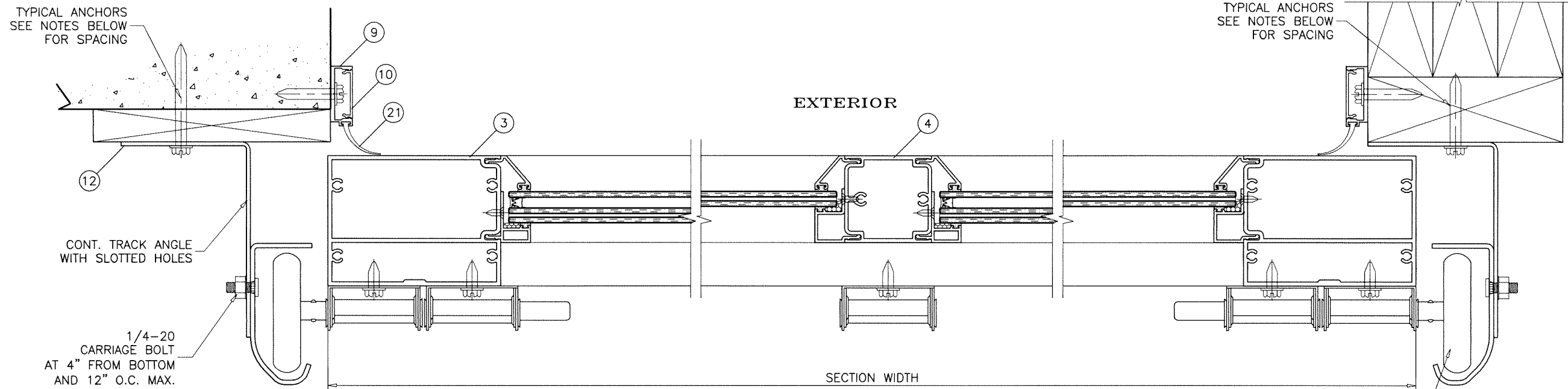
date: 01-24-17
scale: 3/8" = 1"
dr. by: TARIO
chk. by:

drawing no.

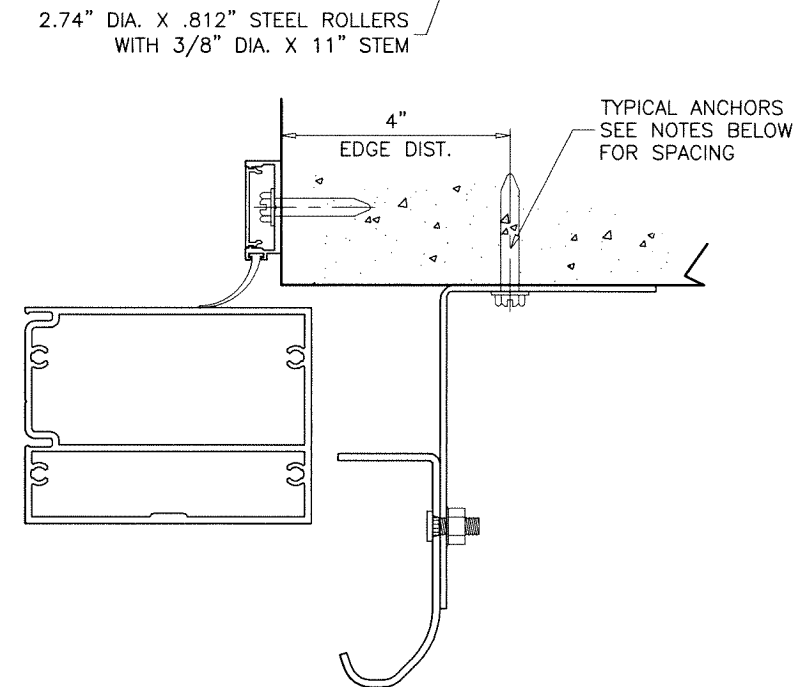
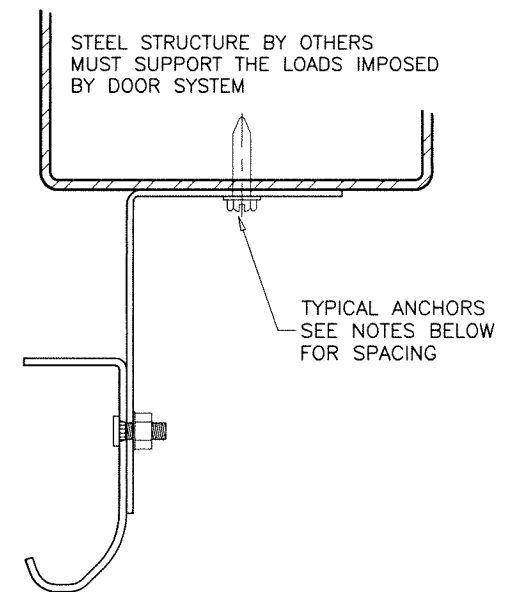
17-01

sheet 3 of 7

GARAGE 17-01SIW



SECTION B-B



TYPICAL ANCHORS:

5/16" DIA. ULTRACON BY 'DEWALT' (Fu=177 KSI, Fy=155 KSI)

INTO WOOD STRUCTURES
2-1/4" MIN. PENETRATION INTO WOOD
AT 2" FROM BOTTOM AND 10" O.C. MAX.

THRU 1BY OR 2BY BUCKS INTO CONCRETE
2" MIN. EMBED INTO CONCRETE
AT 2" FROM BOTTOM AND 7-1/2" O.C. MAX.

DIRECTLY INTO CONCRETE
2" MIN. EMBED INTO CONCRETE
AT 2" FROM BOTTOM AND 7-1/2" O.C. MAX.

3/8" DIA. KWIK BOLT 3 EXPANSION ANCHOR BY 'HILTI'

DIRECTLY INTO MASONRY
2-1/2" MIN. EMBED INTO FILLED BLOCKS
AT 2" FROM BOTTOM AND 7-1/2" O.C. MAX.
4" MIN. EDGE DISTANCE

5/16" DIA. DRIL-FLEX SCREWS BY 'DEWALT' (Fu=100 KSI, Fy=65 KSI)

INTO STEEL STRUCTURES
AT 2" FROM BOTTOM AND 7-1/2" O.C. MAX.
STEEL: 1/8" THK. MIN. (Fy = 36 KSI MIN.)
(STEEL IN CONTACT WITH ALUMINUM TO BE PLATED OR PAINTED)

5/16" DIA. LAG SCREWS

INTO WOOD STRUCTURES
2" MIN. PENETRATION INTO WOOD
AT 2" FROM BOTTOM AND 10" O.C. MAX.

TYPICAL EDGE DISTANCE

INTO CONCRETE = 3-1/8" MIN.
INTO FILLED BLOCKS = 2-1/2" MIN.
INTO WOOD STRUCTURE = 1-1/4" MIN.
INTO METAL STRUCTURE = 3/4" MIN.

WOOD SG = 0.55 MIN.
CONCRETE f'c = 3000 PSI MIN.
C-90 GROUT FILLED BLOCK f'm = 2000 PSI MIN.

afc
AL-FAROOQ CORPORATION
 ENGINEERS & PRODUCT DEVELOPMENT
 9360 SUNSET DRIVE, SUITE 220 (C.A.N. 3538)
 MIAMI, FLORIDA 33173 TEL. (305) 264-8100 FAX. (305) 262-6978
 GARAGE 17-01SIW

Coastline Garage Door Glass IZ4 (18'-4")
MARVIN
 PO Box 100, 401 State Ave. N.
 Warroad, MN. 56763
 Tel. (218) 386-1430 Ext. 2143

revisions:	no	date	by	description

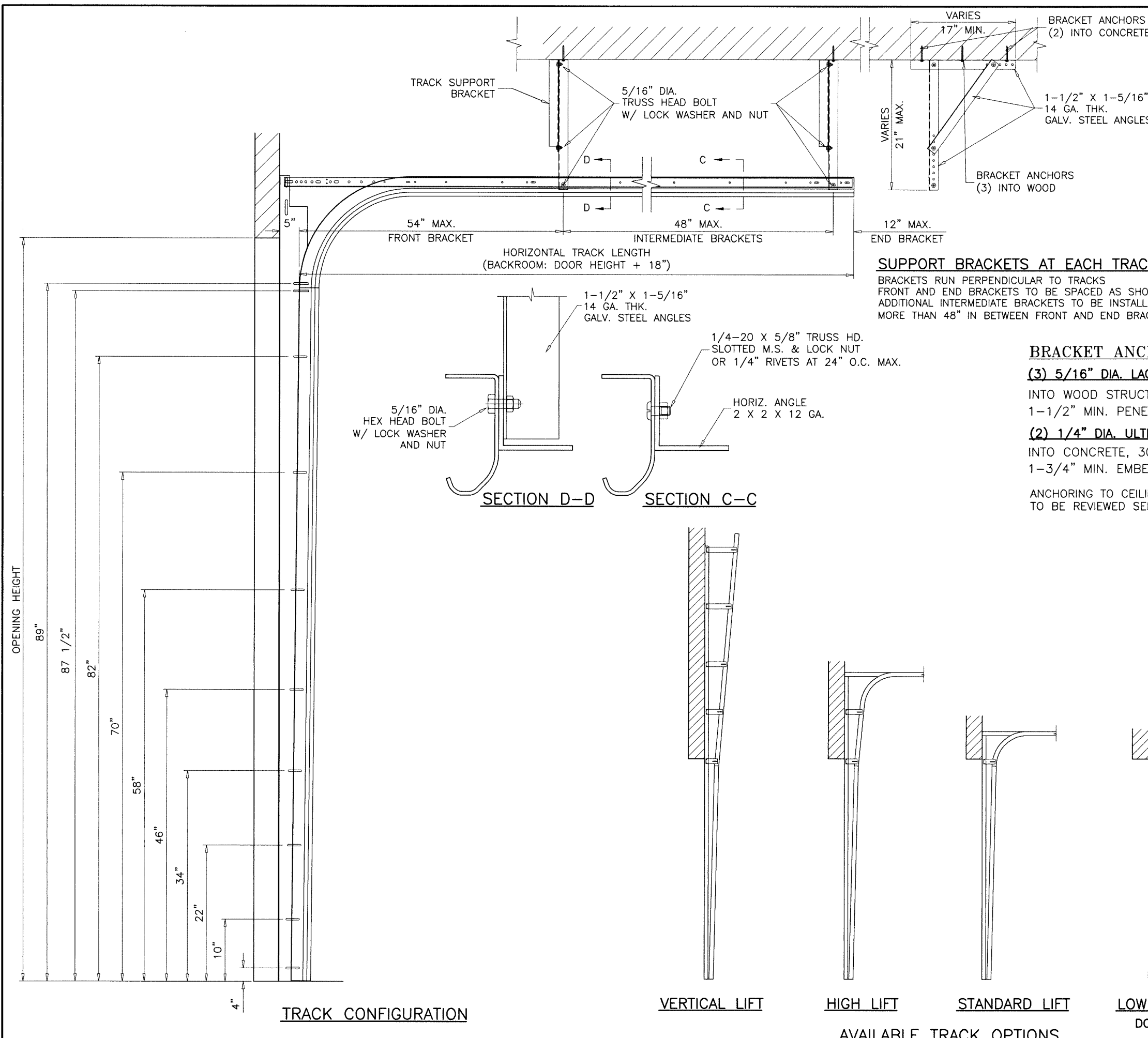
date: 01-24-17
 scale: 3/8" = 1"
 dr. by: TARIQ
 chk. by:

drawing no.
17-01
 sheet 4 of 7



Sealed: 7/26/2023

FL #33694



NOTE:
 IT SHALL BE VERIFIED THAT THE CEILING STRUCTURE CAN SUSTAIN LOADS IMPOSED BY DOOR WHEN LEFT IN OPEN POSITION.
 BRACES MAY BE MOVED IN ORDER TO ENGAGE THE CEILING STRUCTURE.
 ANCHOR EMBEDMENT TO BASE MATERIAL SHALL BE BEYOND ALL CEILING NON STRUCTURAL MATERIAL STUCCO OR CEILING DRESSING.

SUPPORT BRACKETS AT EACH TRACK

BRACKETS RUN PERPENDICULAR TO TRACKS
 FRONT AND END BRACKETS TO BE SPACED AS SHOWN ABOVE.
 ADDITIONAL INTERMEDIATE BRACKETS TO BE INSTALLED FOR SPACING MORE THAN 48" IN BETWEEN FRONT AND END BRACKETS.

BRACKET ANCHORS:

- (3) 5/16" DIA. LAG SCREWS**
 INTO WOOD STRUCTURES, (S.G.=0.50)
 1-1/2" MIN. PENETRATION
 - (2) 1/4" DIA. ULTRACON+ BY 'DEWALT'** (Fu=164 KSI, Fy=148 KSI)
 INTO CONCRETE, 3000 PSI MIN.
 1-3/4" MIN. EMBED
- ANCHORING TO CEILING OTHER THAN WOOD OR CONCRETE TO BE REVIEWED SEPARATELY.

TRACK CONFIGURATION

AVAILABLE TRACK OPTIONS

Sealed: 7/26/2023
 FL #33694

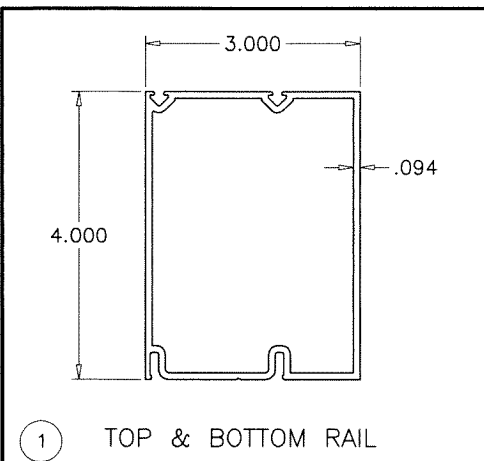
date: 01-24-17
 scale: 3/8" = 1"
 dr. by: TARIQ
 chk. by:

drawing no.
17-01
 sheet 5 of 7

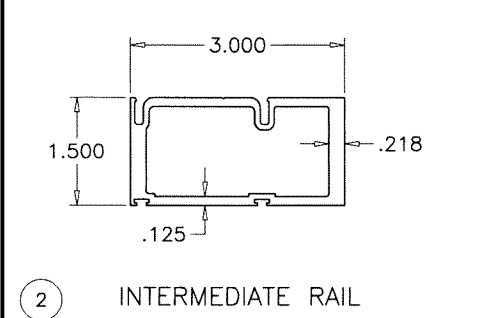
af c
AL-FAROOQ CORPORATION
 ENGINEERS & PRODUCT DEVELOPMENT
 9360 SUNSET DRIVE, SUITE 220
 MIAMI, FLORIDA 33173
 TEL. (305) 262-6978
 FAX. (305) 264-8100
 GARAGE\17-01SW

Coastline Garage Door Glass IZ4 (18'-4")
MARVIN
 PO Box 100, 401 State Ave. N.
 Warroad, MN. 56763
 Tel. (218) 386-1430 Ext. 2143

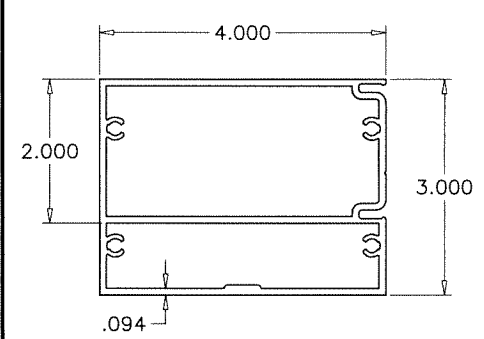
revisions:	no	date	by	description



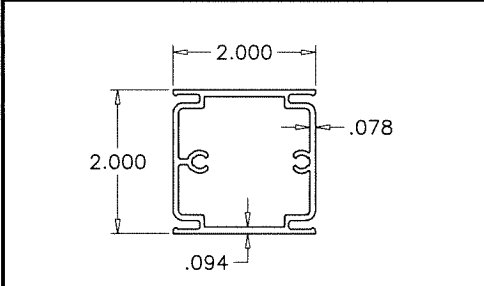
1 TOP & BOTTOM RAIL



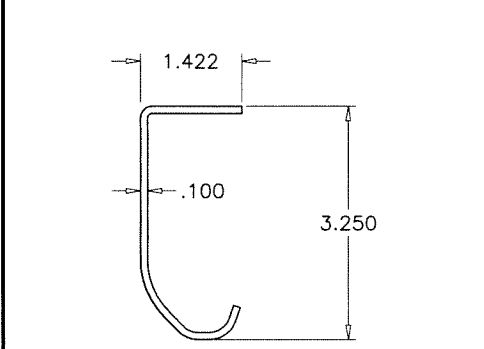
2 INTERMEDIATE RAIL



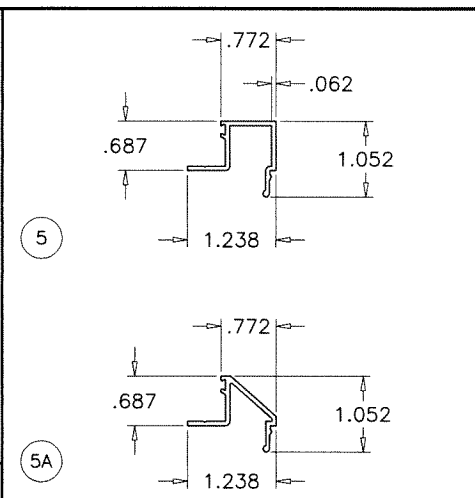
3 VERTICAL END STILE



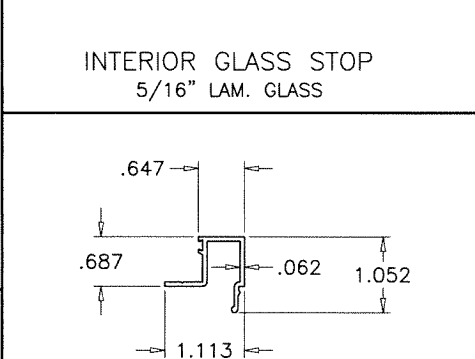
4 VERTICAL DIVIDER STILE



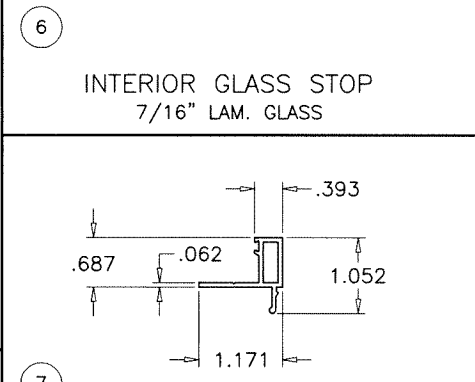
11 DOOR TRACK



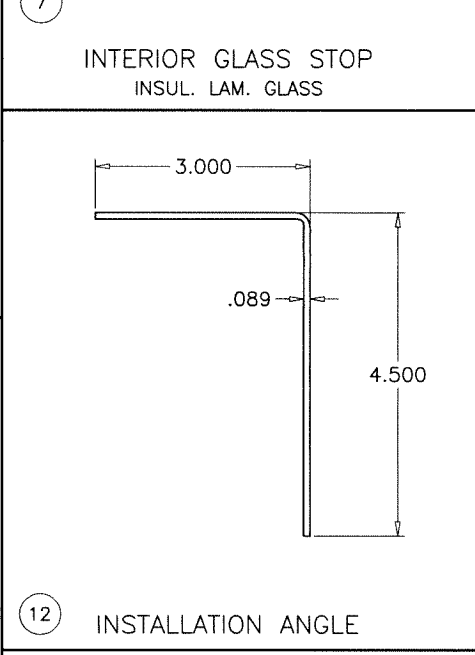
5 INTERIOR GLASS STOP
5/16" LAM. GLASS



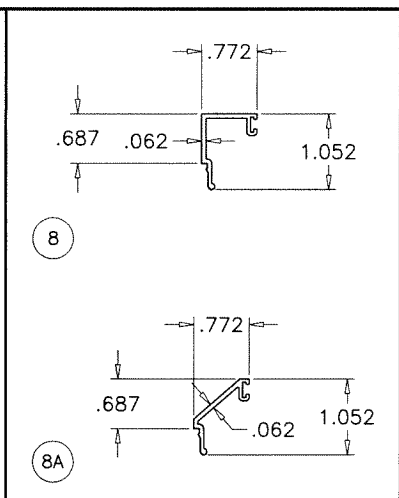
6 INTERIOR GLASS STOP
7/16" LAM. GLASS



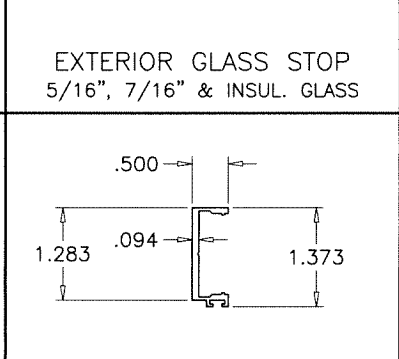
7 INTERIOR GLASS STOP
INSUL. LAM. GLASS



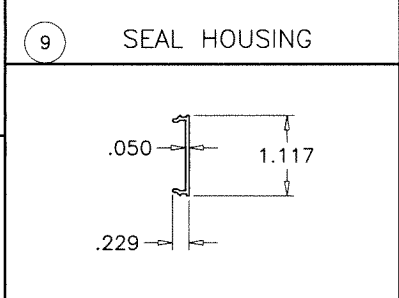
12 INSTALLATION ANGLE



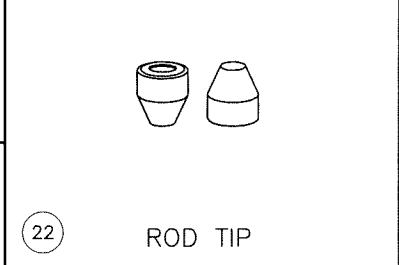
8 EXTERIOR GLASS STOP
5/16", 7/16" & INSUL. GLASS



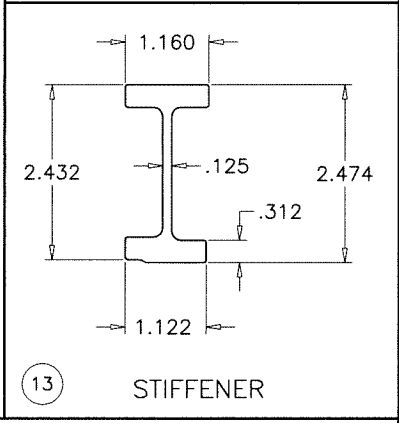
9 SEAL HOUSING



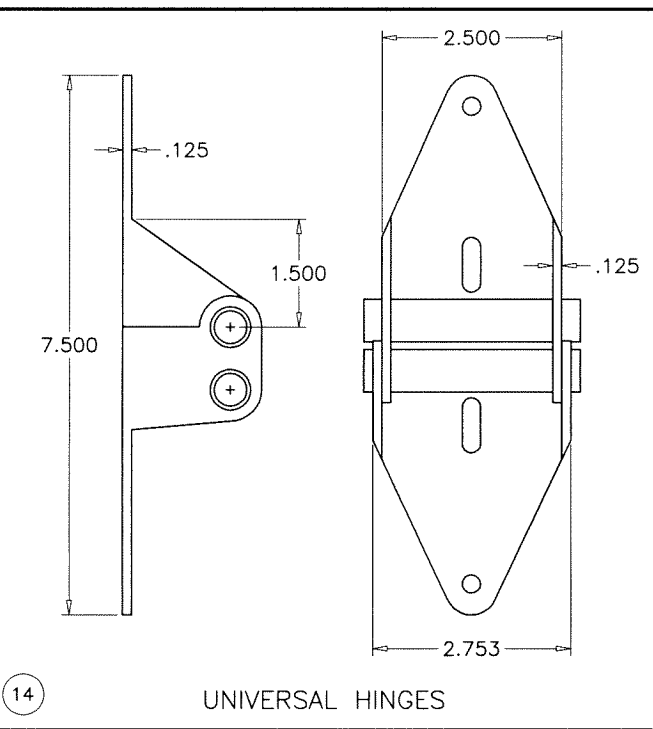
10 SNAP COVER



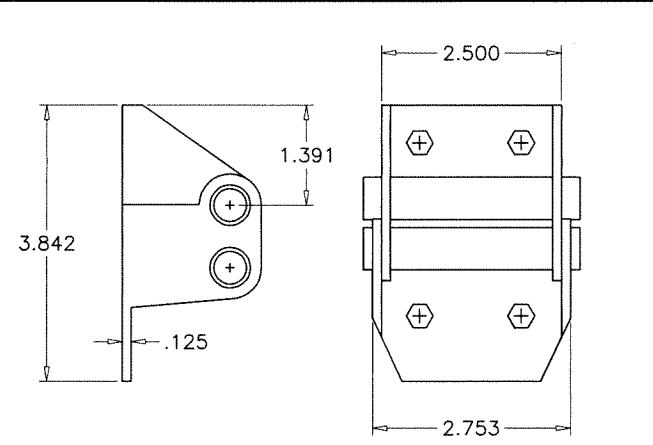
22 ROD TIP



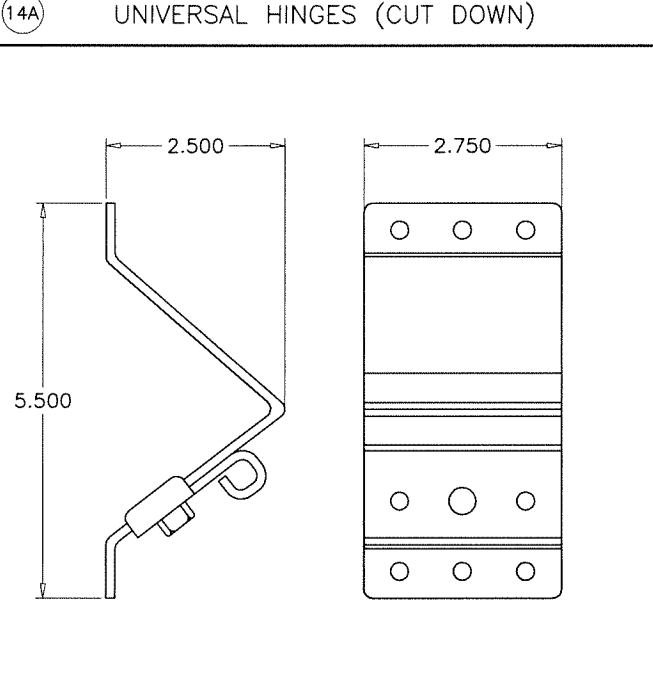
13 STIFFENER



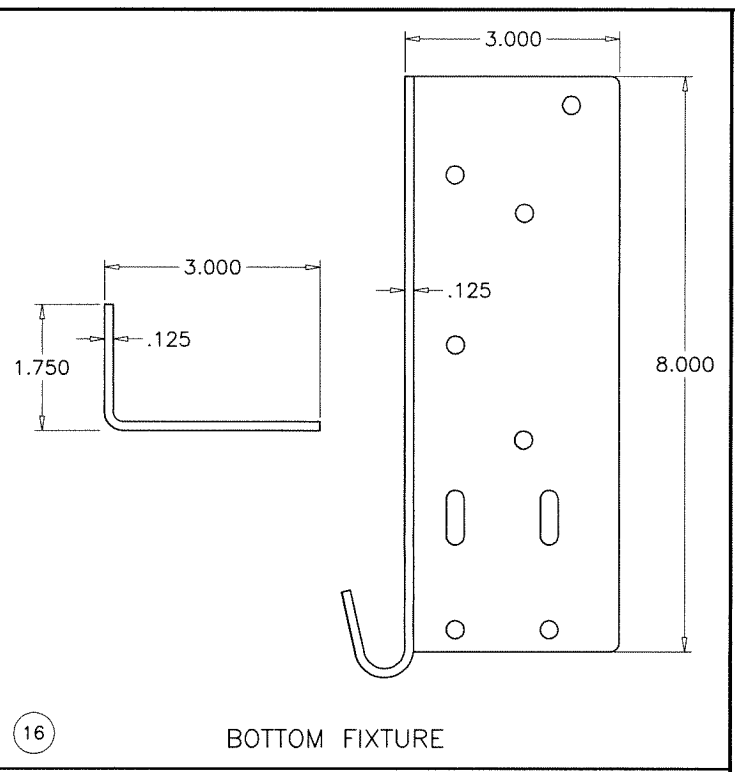
14 UNIVERSAL HINGES



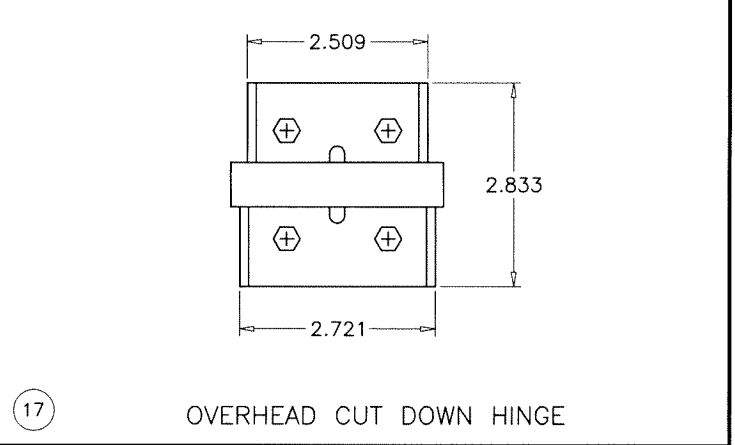
14A UNIVERSAL HINGES (CUT DOWN)



15 TOP FIXTURE



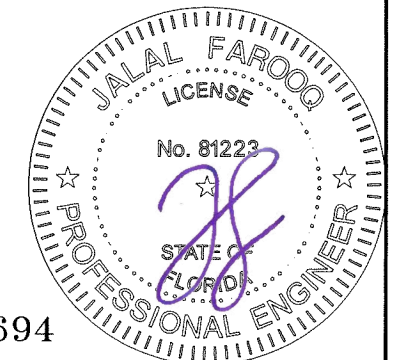
16 BOTTOM FIXTURE



17 OVERHEAD CUT DOWN HINGE

Sealed: 7/26/2023

FL #33694



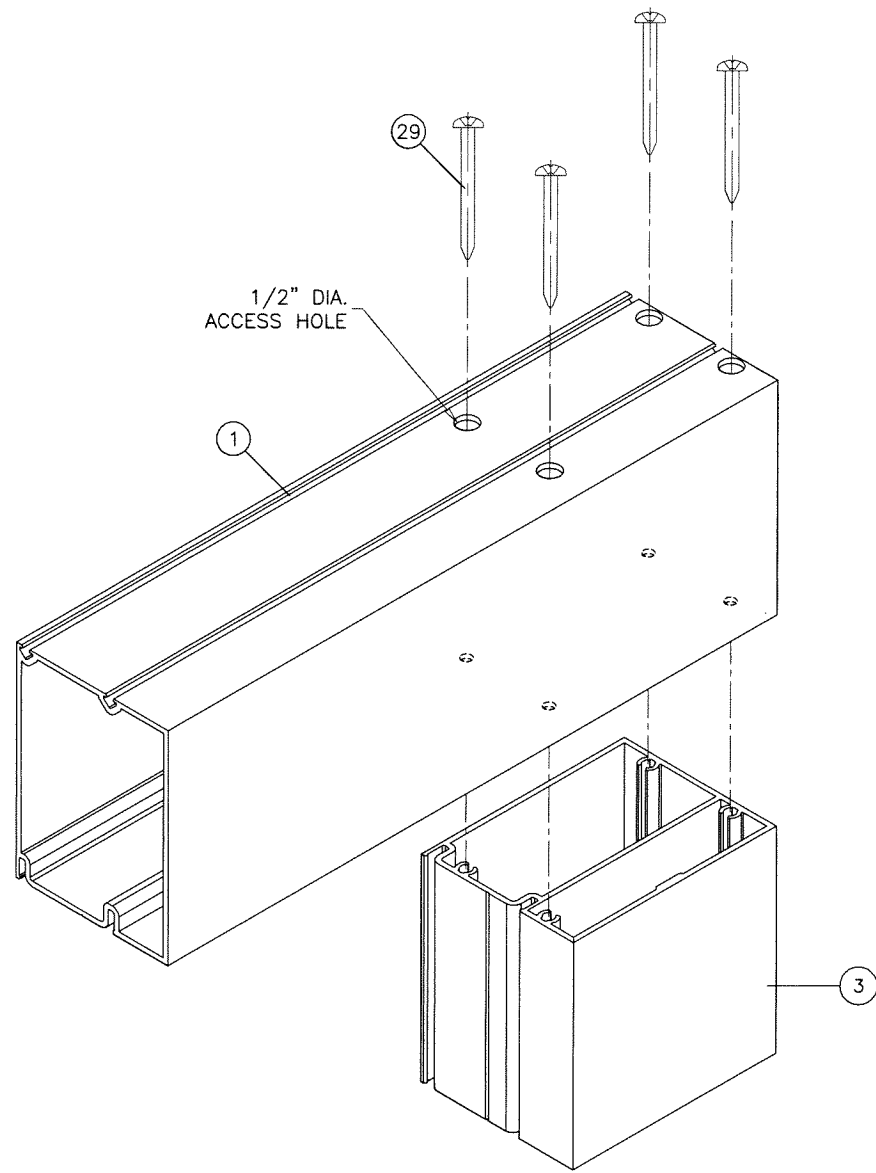
afc
AL-FAROOQ CORPORATION
 ENGINEERS & PRODUCT DEVELOPMENT
 9360 SUNSET DRIVE, SUITE 220
 MIAMI, FLORIDA 33173 (C.A.N. 3538)
 TEL. (305) 264-8100 FAX. (305) 262-6978
 GARAGE\17-01SIW

Coastline Garage Door Glass IZ4 (18'-4")
MARVIN
 PO Box 100, 401 State Ave. N.
 Warrroad, MN. 56763
 Tel. (218) 386-1430 Ext. 2143

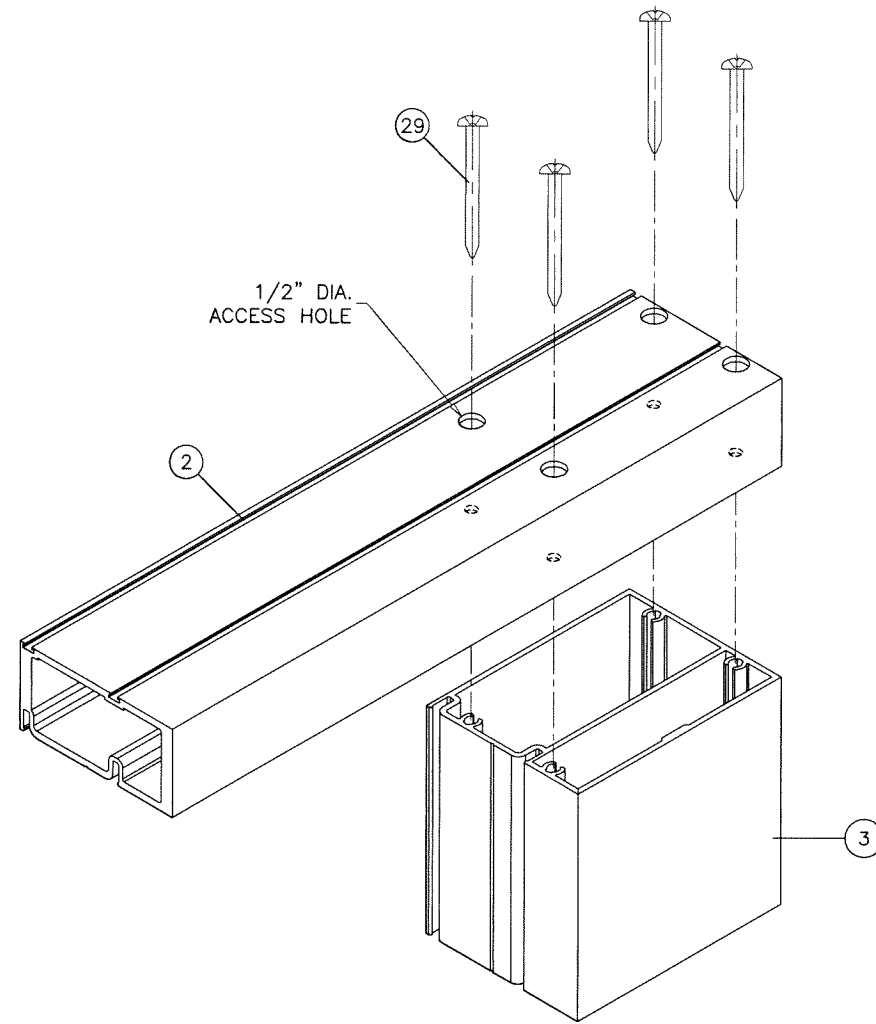
revisions:	no	date	by	description

date: 01-24-17
 scale: 3/8" = 1"
 dr. by: TARIQ
 chk. by:

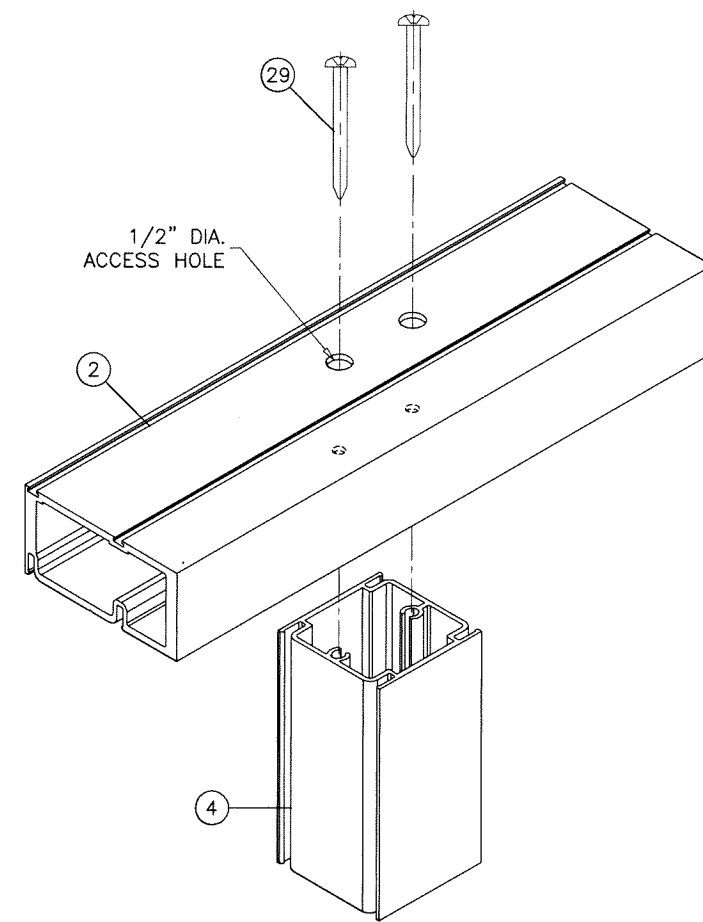
drawing no.
17-01
 sheet 6 of 7



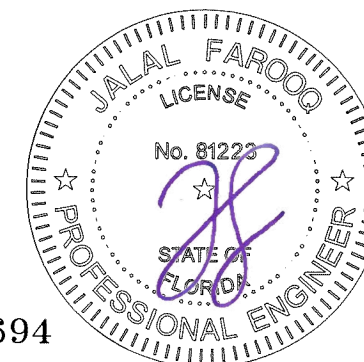
TOP/BOTTOM RAIL CORNER



INTERMEDIATE RAIL CORNER



DIVIDER STILE CORNER



Sealed: 7/26/2023

FL #33694

a f c

AL-FAROOQ CORPORATION
 ENGINEERS & PRODUCT DEVELOPMENT
 9360 SUNSET DRIVE, SUITE 220 (C.A.N. 3538)
 MIAMI, FLORIDA 33173
 TEL. (305) 264-8100 FAX. (305) 262-6978

GARAGE 17-01SIW

Coastline Garage Door Glass IZ4 (18'-4")



PO Box 100, 401 State Ave. N.
 Warroad, MN. 56763
 Tel. (218) 386-1430 Ext. 2143

revisions:	
no	date by description

date: 01-24-17
 scale: 3/8" = 1"
 dr. by: TARIQ
 chk. by:

drawing no.

17-01

sheet 7 of 7