

Elevate Outswing French Door

Unit Features	1
Minimum/Maximum Guidelines and Certified Sizes	3
Egress Measurements	4
Conversions	5
Standard Mulling Guidelines	6
Impact Mulling Guidelines	9
Standard Sizes	10
Section Details: Standard - 4 9/16" Jamb - XXR Operator	11
Section Details: IZ3 - 4 9/16" Jamb - XXR Operator	12
Section Details: Standard - 4 9/16" Jamb - X - Operator	13
Section Details: IZ3 - 4 9/16" Jamb - X - Operator	14
Section Details: Standard - 4 9/16" Jamb - O - Stationary	15
Section Details: IZ3 - 4 9/16" Jamb - O - Stationary	16
Section Details: Standard - 6 9/16" Jamb - XXR Operator	17
Section Details: IZ3 - 6 9/16" Jamb - XXR Operator	18
Section Details: Standard - 6 9/16" Jamb - X - Operator	19
Section Details: IZ3 - 6 9/16" Jamb - X - Operator	20
Section Details: Standard - 6 9/16" Jamb - O - Stationary	21
Section Details: IZ3 - 6 9/16" Jamb - O - Stationary	22
Section Details: Transom Stand Alone - 4 9/16" (Standard)	23
Section Details: Transom Stand Alone - 6 9/16" (Standard)	24
Section Details: Transom Stand Alone - 4 9/16" Jamb (IZ3)	25
Section Details: Transom Stand Alone - 6 9/16" Jamb (Impact)	26
Section Details: Mullions (Standard Mull)	27
Section Details: Mullions (1/2" MRF)	28
Section Details: Divided Lite Options	29
Section Details: Divided Lite Patterns	30
Installation Suggestions: Brick Veneer with Steel Frame Construction	32
Installation Suggestions: Wood Siding with 2x6 Frame Construction	33
Installation Suggestions: Stucco with 2x4 Frame Construction	34

Unit Features

Elevate Outswing French Door: ELOFD

Elevate Outswing French Door IZ3: ELOFD IZ3

For applicable certification and code information, refer to the Introduction and Product Performance chapter.

Frame and Panel:

- The frame and sash exteriors are made of Ultrex®, an advanced fiberglass reinforced pultrusion material that is resistant to thermal conductance.
- Exterior colors: Stone White, Pebble Gray, Bronze, Cashmere, Gunmetal, or Ebony. Frame and sash color may be selected independently.
- The interior is non finger-jointed pine, kiln-dried to a moisture content 6-12% at time of fabrication. Water repellent, preservative treated. Interior wood is available as Pine wood or factory-applied white, clear, or designer black interior finishes. Frame and sash color may be selected independently.

Frame:

- Frame thickness is 1 5/16" (33). Frame width of 4 9/16" (116). The sill is Ultrex, beige or bronze, with a cellular PVC sill liner. 4/4 non finger-jointed pine interior stop is applied to all units. Ultrex is .080" (2) thick.

Panel:

- Composite sash thickness is 1 3/4" (44), stiles and top rails 3 5/8" (92), bottom rail width 6" (152) Ultrex is .110" (3) thick.

Jamb Extension:

- Extension Thickness: 9/16" (14)
- Multiple depths available from 1/8" (3), 1/4"(6), and depths varying between 1/2"(13) and 4"(102) at 1/16" (2) increments
- Maximum jamb depth is 8 9/16". (217)
- 6 13/16" (173) or 6 13/16" (173) jamb extension - factory-applied
- All other jamb depth options are available shipped loose.
- Material: Bare Pine
- Option: factory applied white, designer black and clear lacquer interior finish

Hardware:

- Multi-point lock, latch, and deadbolt assembly included with each door.
- Handle has a standard deadbolt and a top and bottom shoot bolts operated by handle set.
- Handle Sets
 - Handle Set: Interior and exterior selected separately.
 - Standard finish is Almond Frost. Optional finishes: White, Bright Brass PVD, Oil Rubbed Bronze PVD, Satin Nickel PVD, and Matte Black.
- Standard locking system strike plate will be stainless steel, with an optional brass strike on "X" doors.
- Hinges contain both a horizontal, vertical adjustment feature, and non-removable pin.
 - Three hinges are used on all units.
 - Hinges will be White, Dark Brown, Pebble Gray, Ebony, or Cashmere to match the exterior of the frame.
 - Coastal brass, Oil Rubbed Bronze, or coastal satin nickel hinges with brass substrates.
- Keyed alike option is available.

Installation:

- Factory applied folding nailing fin and drip cap system.
- Optional installation brackets for masonry available.
- Factory-supplied field mulling kits are available for standard assemblies.
- IZ3 glazed units require installation clips.

Unit Features Continued**Glazing:**

- Dual-pane units are manufactured with 3/4" (19) Tempered IG with Low E1, E2, E3, or E3/ERS coatings including argon gas or air fill. Clear (uncoated) glass available with air fill only. Obscure glass is available as an option.
- The glazing seal is a silicone bedding on both interior and exterior surfaces utilized in a sandwich style sash.
- STC/OITC values are available for 3.1 mm glass thickness.
 - Optional 3.1/4/7 upgrade glass is available. See the Product Performance chapter for STC and OITC ratings.

IZ3 Glazing:

- Optional IZ3 available on selected sizes. Zone 3 for winds up to 140 miles per hour.
- Glass is laminated, insulated Low E2 or E3 Argon, consisting of annealed or tempered glass exterior and laminated glass interior.
- The laminated glass is comprised of two pieces of glass with either an SGP or PVB laminate layer between.
- Interior and exterior glazing compound is silicone, in a sandwich style glazing system.

Weather Strip:

- All units are constructed with two weather strips at all jamb/panel perimeter joints.
 - The primary weather strip is attached to the head/jamb interior wood stops.
 - The secondary weather strip is attached to the panels.
- Jambs, head jamb, sill and interior astragal utilize a hollow bulb weather strip.
- The exterior aluminum astragal uses a hollow bulb type weather strip.
- Weather strip exposed to the exterior is of UV (ultraviolet) resistant material.

Interior/Exterior Simulated Divided Lites (SDL):

- Interior bar: 7/8" (22) wide bars. Pine bare wood with optional white, clear, and designer black interior finishes.
- Exterior bar: Ultrex, 7/8" (22) wide bars, finish to match exterior.
 - Pattern: Standard rectangular pattern, 6 or 9 lite Prairie cut, 6-lite Prairie cut on rectangle or Cottage style cut.
- Simulated check rail option: 2 11/32" (60).
 - Patterns available: simulated rail in standard center or customer specified location with 7/8" pattern above, below, or both in pattern of rectangular equal lite or Prairie lite cuts.
 - IZ3 glazing and tinted glass available without spacer bar only.

Grilles-Between-The-Glass (GBG):

- 23/32" (18) contoured aluminum bar placed between two panes of glass.
- Pattern: Standard rectangular pattern, 6 or 9 lite Prairie cut, or Cottage style cut, or 6-lite Prairie cut on rectangle.
- Exterior color options: Stone White, Pebble Gray, Bronze, Cashmere, Gunmetal, or Ebony.
- Interior color options: White, Bronze, or Black.
- GBGs are not available on IZ3 glazing or tinted glass.

Exterior Casing:

- Non-integral to the unit.
- Fastened to the exterior wall with barb and kerf 2" (51) brick mould available as a header and jamb surround.
- 3 1/2" (89) flat casing available as a header and jamb surround.
- Also available with 1" (25) ranch style header overhang.

NOTE: NFRC Values are now located on www.marvin.com

Minimum/Maximum Guidelines and Certified Sizes

Operator/Stationary Units								
Unit Type	Frame Size							
	Min Width		Min Height		Max Width		Max Height	
	in	mm	in	mm	in	mm	in	mm
1 - Panel Operator	30 5/16	(770)	79 1/2	(2019)	36 5/16	(922)	95 1/2	(2426)
2 - Panel Operator	59	(1499)	79 1/2	(2019)	71	(1803)	95 1/2	(2426)
ELDG Rectangle	36 5/16	(922)	15 3/4	(400)	71	(1803)	15 3/4	(400)

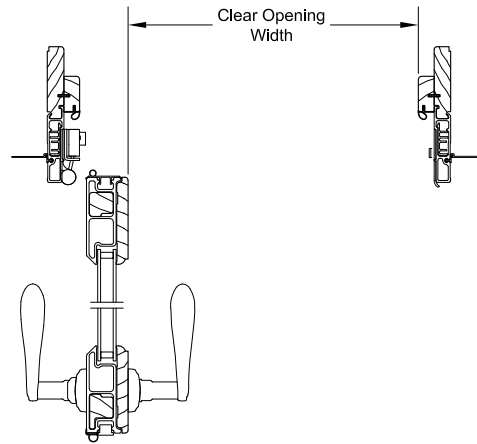
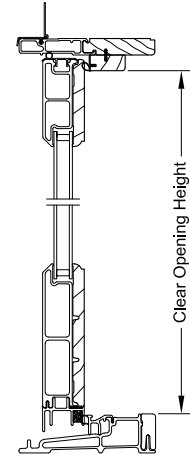
NOTE: Special sizes are available in 1/64" increments, not to exceed the minimum or maximum listed above.

Product	Air Tested to psf	Water Tested to psf	Design Pressure (DP)	Certification Rating	Max Overall Width		Max Overall Height	
					in	mm	in	mm
Elevate Outswing French Door (O)	1.57	7.50	50	LC-PG50-FD	36 5/16	(922)	95 1/2	(2426)
Elevate Outswing French Door (X)	1.57	7.50	50	LC-PG50-SHD	36 5/16	(922)	95 1/2	(2426)
Elevate Outswing French Door (XX)	1.57	7.50	50	LC-PG50-SHD	71	(1803)	95 1/2	(2426)

Product	Air Tested to psf	Water Tested to psf	Design Pressure (DP)	Certification Rating	Max Overall Width		Max Overall Height	
					in	mm	in	mm
Elevate Outswing Impact French Door (O)	1.57	8.25	+55/-65	LC-PG55-FD	36 5/16	(922)	95 1/2	(2426)
Elevate Outswing Impact French Door (X)	1.57	8.25	+55/-65	LC-PG55-SHD	36 5/16	(922)	95 1/2	(2426)
Elevate Outswing Impact French Door (XX)	1.57	8.25	55	LC-PG55-SHD	71	(1803)	95 1/2	(2426)

Egress Measurements

Net Clear Opening Elevate Outswing French Door			
Width			
Unit Type	Call Number	Net Clear Openings	
		ft-in	mm
1 Panel Operator (X)	2-6	2-1 37/64	(650)
	2-8	2-3 37/64	(701)
	3-0	2-7 37/64	(802)
2 Panel Operator (XX)	5-0	4-4 7/32	(1326)
	5-4	4-8 7/32	(1428)
	6-0	5-4 7/32	(1631)
Height			
Unit Type	Call Number	Net Clear Openings	
		ft - in	mm
1 Panel (X) and 2 Panel (XX) Configurations	6-5	6-4 35/64	(1944)
	6-8	6-7 3/64	(2008)
	7-0	6-11 3/64	(2109)
	8-0	7-8 35/64	(2351)



Egress Conversions		
Standard Outswing French Door		
Minimum Value for Net Clear Opening	Desired Dimension	Formula
32"	Egress opening width, in	1 Panel Door
		= ELOFD Frame Width - 4.738
		2 Panel Door (XX)
		= ELOFD Frame Width - 6.788
78" (IRC 2012) 80" (IBC 2012)	Egress opening height, in	= ELOFD Frame Height - 2.952
NA	Egress opening area, ft ²	= ((Egress opening width, in) x (Egress opening height, in)) / 144

Conversions

Unit Measurements									
From		To		Width - 1 Panel		Width - 2 Panel		Height	
Frame		in	mm			in	mm	in	mm
Masonry Opening	Rough Opening	+ 1/2	(13)			+ 1/2	(13)	+ 1/4	(6)
Masonry Opening w/BMC	Rough Opening	+ 1/2	(13)			+ 1/2	(13)	+ 1/4	(6)
OM of Frame	Rough Opening	+ 1	(25)			+ 1	(25)	+ 1/2	(13)
Daylight Opening	Rough Opening	+ 9 31/32	(253)	×	2	+ 17 5/16	(440)	+ 12 29/32	(328)
Panel		in	mm			in	mm	in	mm
OM of Frame	OM of Panel	-1 23/32	(44)	÷	2	-29/32	(23)	-2 25/32	(71)
Daylight Opening	OM of Panel	+ 7 1/4	(184)			+ 7 1/4	(184)	+ 9 5/8	(244)
Glass		in	mm			in	mm	in	mm
OM of Frame	Glass	-7 23/32	-(196)	÷	2	-6 29/32	-(175)	-11 7/32	-(285)
Daylight Opening	Glass	+ 1 1/4	(32)			+ 1 1/4	(32)	+ 1 3/16	(30)

Unit Measurements - Transoms		Width		Height	
From	To	in	mm	in	mm
Masonry Opening	Rough Opening	+ 1/2	(13)	+ 1/4	(6)
Masonry Opening w/BMC	Rough Opening	+ 1/2	(13)	+ 1/4	(6)
OM of Frame	Rough Opening	+ 1	(25)	+ 1/2	(13)
Daylight Opening	Rough Opening	+ 5 3/8	(137)	+ 4 7/8	(124)
Frame		in	mm	in	mm
Daylight Opening	Frame	+ 4 3/8	(111)	+ 4 3/8	(111)
Glass		in	mm	in	mm
OM of Frame	Glass	-2 13/16	-(71)	-2 13/16	-(71)
Daylight Opening	Glass	+ 1 9/16	(40)	+ 1 9/16	(40)

Standard Mulling Guidelines

Multiple assemblies can be factory mullied

- Assemblies up to 3 units wide by 1 unit high
 - **MAXIMUM ROUGH OPENING** not to exceed 109 15/16" (2792) x 96" (2438)
- Assemblies up to 2 units wide by 2 units high
 - **MAXIMUM ROUGH OPENING** not to exceed 73 5/8" (1870) x 100 1/2" (2552)

NOTE: FIELD MULLING BEYOND 110" X 112" IS NOT RECOMMENDED

**ROUGH OPENING TABLE FOR ASSEMBLIES**

WIDTH: Single unit Rough Opening width MINUS 1" = Frame width.

ADD **all** frame widths PLUS 1" = Total Rough Opening width.

HEIGHT: Single unit Rough Opening height MINUS 1/2" = Frame height.

ADD **all** frame heights PLUS 1/2" = Total Rough Opening Height.

Certified Standard Mulling Guidelines

Certified Mull Limits: WDMA Hallmark certified to AAMA 450

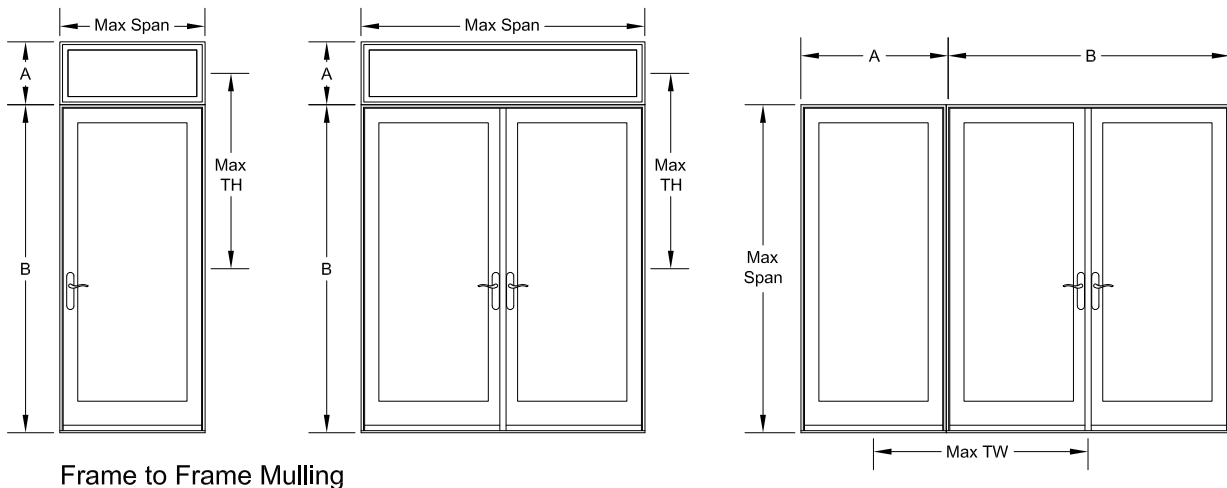
The Elevate Outswing French Door may be mull to Direct Glaze Polygon.

- If assemblies have individual units that have a lower design pressure than the mull, the entire assembly is rated at the lower design pressure.
- Mull certification includes 4" mull clip (nail fin installation) or mull brackets (structural bracket installation) at all mull joints.
- Items not included in certified mulls: Stepped mulls, Palladians, Polygon Shapes, Through Jamb and Insert Products

Certified Standard mull limits (all factory mulls)

- Maximum Mull Assembly RO Size
 - 1 unit wide x 2 units high: Max Assembly RO 72" (1829) x 100 1/2" (2553)
 - DP50
 - Max Span: 71" (1803)
 - Max Tributary Height: 50" (1270)
 - 2-3 units wide x 1 unit high: Max Assembly RO 109 15/16" (2729) x 96" (2438)
 - DP50
 - Max Span: 95 1/2" (2426)
 - Max Tributary Width: 54 15/32" (1384)

- Tributary Width = (A+B)/2
- Tributary Height = (A+B)/2



Certified 1/2" MRF Mulling Guidelines

Certified Mull Limits: WDMA Hallmark certified to AAMA 450

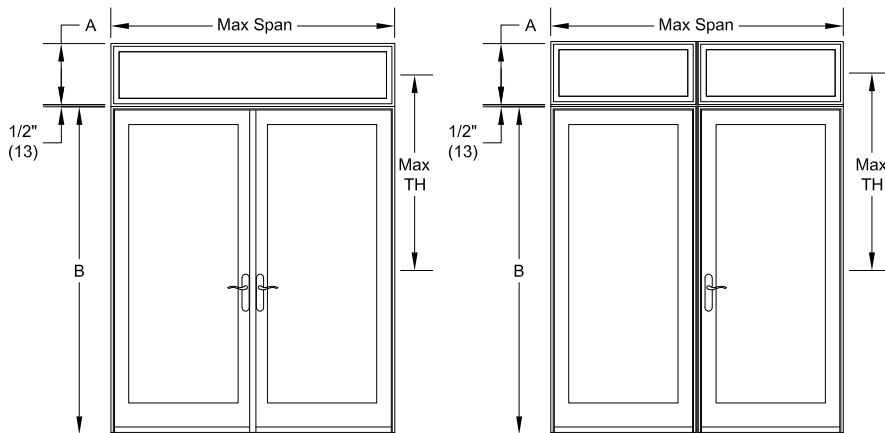
The Elevate Outswing French Door may be mulled to Direct Glaze Polygon.

- If assemblies have individual units that have a lower design pressure than the mull, the entire assembly is rated at the lower design pressure.
- Mull certification includes 4" mull clip (nail fin installation) or mull brackets (structural bracket installation) at all mull joints.
- Items not included in certified mulls: Stepped mulls, Palladians, Polygon Shapes, Through Jamb and Insert Products

Certified 1/2" MRF mull limits (all factory mulls)

- Maximum Mullered Assembly RO Size
 - 1 unit wide x 2 units high: Max Assembly RO 72" (1829) x 100 1/2" (2553)
 - DP50
 - Max Span: Frame Size 71" (1803)
 - Max Tributary Height: Frame Size 50" (1270)
 - 2 units wide x 2 units high: Max Assembly RO 73 5/8" (1870) x 100 1/2" (2553)
 - DP50
 - Max Span: Frame Size 72 5/8" (1845)
 - Max Tributary Width: Frame Size 50" (1270)

- Tributary Width = $(A+B)/2 + 1/2$
- Tributary Height = $(A+B)/2 + 1/2$

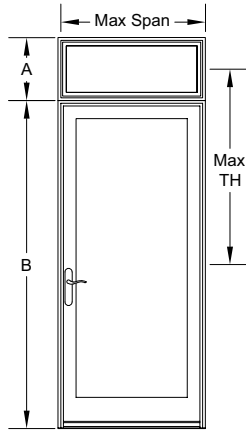


1/2" Mull Reinforcement (MRF) Mulling

Impact Mulling Guidelines

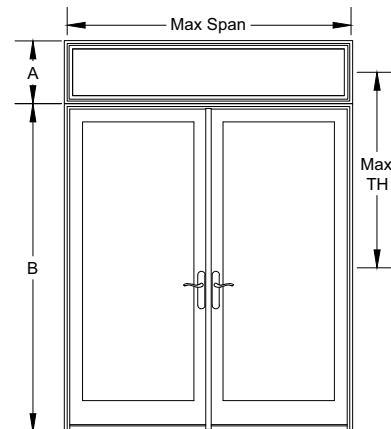
Certified Impact Mull Limits: WDMA Hallmark certified to AAMA 450

- If assemblies have individual units that have a lower design pressure than the mull, the entire assembly is rated at the lower design pressure.
- Mull certification includes 12" mull brackets fastened at all mull joints.
- Items not included in certified mulls: Stepped mulls assemblies, Elevate Direct Glaze Round Top IZ3, Impact XX + (X or O) assembly
- Certified Impact mull limits (all factory mulls)
 - Vertical Mulling:
 - Max Span: Frame Size 95 1/2" (2426)
 - Max TW or TH: Frame Size 36 5/16" (922)
 - Max RO: 109 15/16" x 96" (2792) x (2438)
 - DP: +55/-65
 - Horizontal Mulling
 - Max Span: Frame Size 71" (1803)
 - Max TW or TH: Frame Size 50" (1270)
 - Max RO: 72" x 100 1/2" (1829) x (2553)
 - DP: +55/-65



2 Wide 2 High Directional Mull Limits

- Maximum assembly RO Size - 73 5/8" (1870) x 100 1/2" (2553)
- Max TH: Frame Size 50" (1270),
- Max Span: Frame Size 72 5/8" (1845)
- DP Rating: +55/-65
- No un-reinforced mull joints



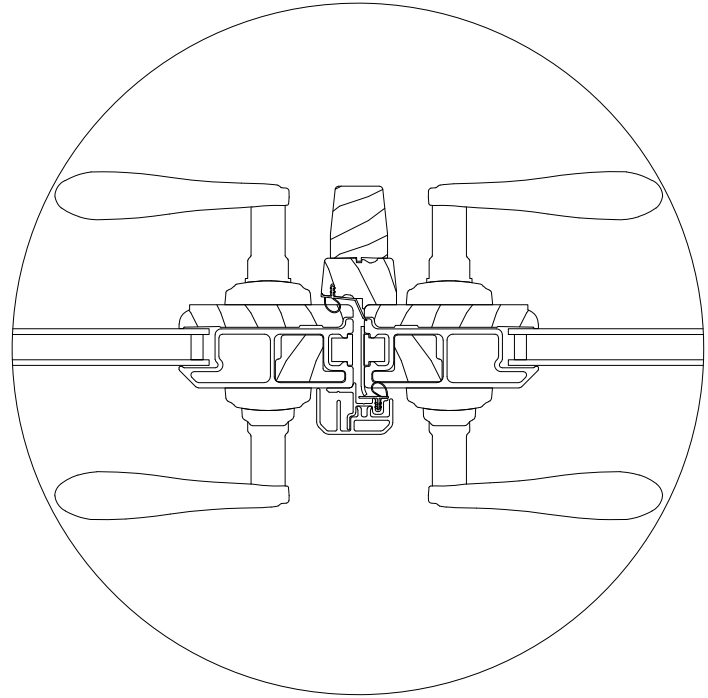
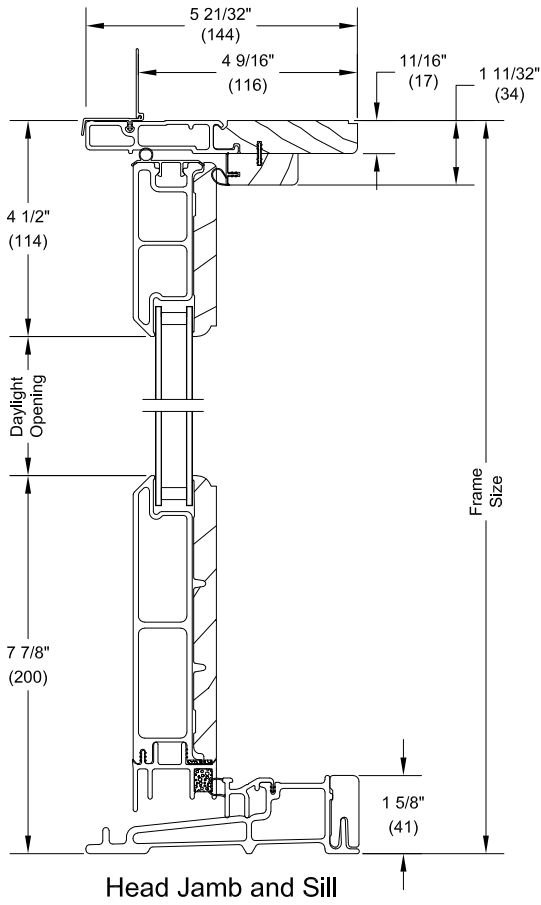
Standard Sizes

Standard Outswing Unit Measurements															
Width															
Unit Type	CN	Masonry Opening		Rough Opening		Frame Size		Panel OM		Daylight Opening		Standard Glass Size		Impact Glass Size	
		ft - in	mm	ft - in	mm	ft - in	mm	ft-in	mm	ft - in	mm	in	mm	in	mm
1 Panel	2-6	2-6 13/16	(783)	2-7 5/16	(796)	2-6 5/16	(770)	2-4 19/32	(726)	1-9 11/32	(542)	22 19/32	(574)	22 15/32	(571)
	2-8	2-8 13/16	(834)	2-9 5/16	(846)	2-8 5/16	(821)	2-6 19/32	(777)	1-11 11/32	(593)	24 19/32	(625)	24 15/32	(622)
	3-0	3-0 13/16	(935)	3-1 5/16	(948)	3-0 5/16	(923)	2-10 19/32	(879)	2-3 11/32	(695)	28 19/32	(726)	28 15/32	(723)
2 Panel	5-0	4-11 1/2	(1511)	5-0	(1524)	4-11	(1499)	2-4 19/32	(726)	1-9 11/32	(542)	22 19/32	(574)	22 15/32	(571)
	5-4	5-3 1/2	(1613)	5-4	(1626)	5-3	(1600)	2-6 19/32	(777)	1-11 11/32	(593)	24 19/32	(625)	24 15/32	(622)
	6-0	5-11 1/2	(1816)	6-0	(1829)	5-11	(1803)	2-10 19/32	(879)	2-3 11/32	(695)	28 19/32	(726)	28 15/32	(723)
Height															
Unit Type	CN	Masonry Opening		Rough Opening		Frame Size		Panel OM		Daylight Opening		Standard Glass Size		Impact Glass Size	
		ft - in	mm	ft - in	mm	ft - in	mm	ft-in	mm	ft - in	mm	in	mm	in	mm
All Configurations	6-5	6-7 3/4	(2026)	6-8	(2032)	6-7 1/2	(2019)	6-4 23/32	(1949)	5-7 3/32	(1704)	68 9/32	(1734)	68 11/64	(1731)
	6-8	6-10 1/4	(2089)	6-10 1/2	(2096)	6-10	(2083)	6-7 7/32	(2012)	5-9 19/32	(1768)	70 25/32	(1798)	70 43/64	(1795)
	7-0	7-2 1/4	(2191)	7-2 1/2	(2197)	7-2	(2184)	6-11 7/32	(2114)	6-1 19/32	(1869)	74 25/32	(1900)	74 43/64	(1897)
	8-0	7-11 3/4	(2432)	8-0	(2438)	7-11 1/2	(2426)	7-8 23/32	(2355)	6-11 3/32	(2111)	84 9/32	(2141)	84 11/64	(2138)

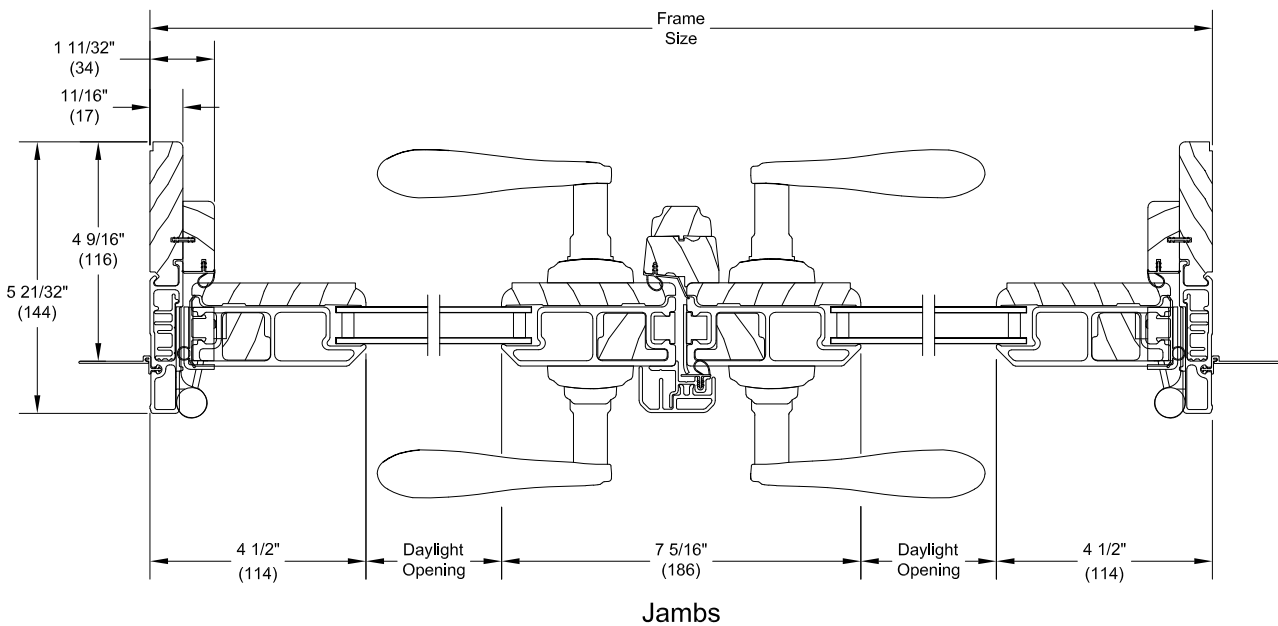
Standard Direct Glaze Door Transom Unit Measurements											
Width											
Unit Type	CN	Masonry Opening		Rough Opening		Frame Size		Daylight Opening		Glass Size	
		ft - in	mm	ft - in	mm	ft - in	mm	ft - in	mm	in	mm
Direct Glaze	3-6	3-0 13/16	(935)	3-1 5/16	(948)	3-0 5/16	(923)	2-7 15/16	(811)	33 1/2	(851)
	7-2	5-11 1/2	(1816)	6-0	(1829)	5-11	(1803)	5-6 5/8	(1692)	68 3/16	(1732)
	10-8	8-11 13/16	(2739)	9-0 5/16	(2751)	8-11 5/16	(2726)	8-6 15/16	(2615)	104 1/2	(2654)
Height											
Unit Type	CN	Masonry Opening		Rough Opening		Frame Size		Daylight Opening		Glass Size	
		ft - in	mm	ft - in	mm	ft - in	mm	ft - in	mm	in	mm
All Configurations	1-6	1-4	(406)	1-4 1/4	(413)	1-3 3/4	(400)	0-11 3/8	(289)	12 15/16	(329)

Section Details: Standard - 4 9/16" Jamb - XXR Operator

Scale: 3" = 1' 0"

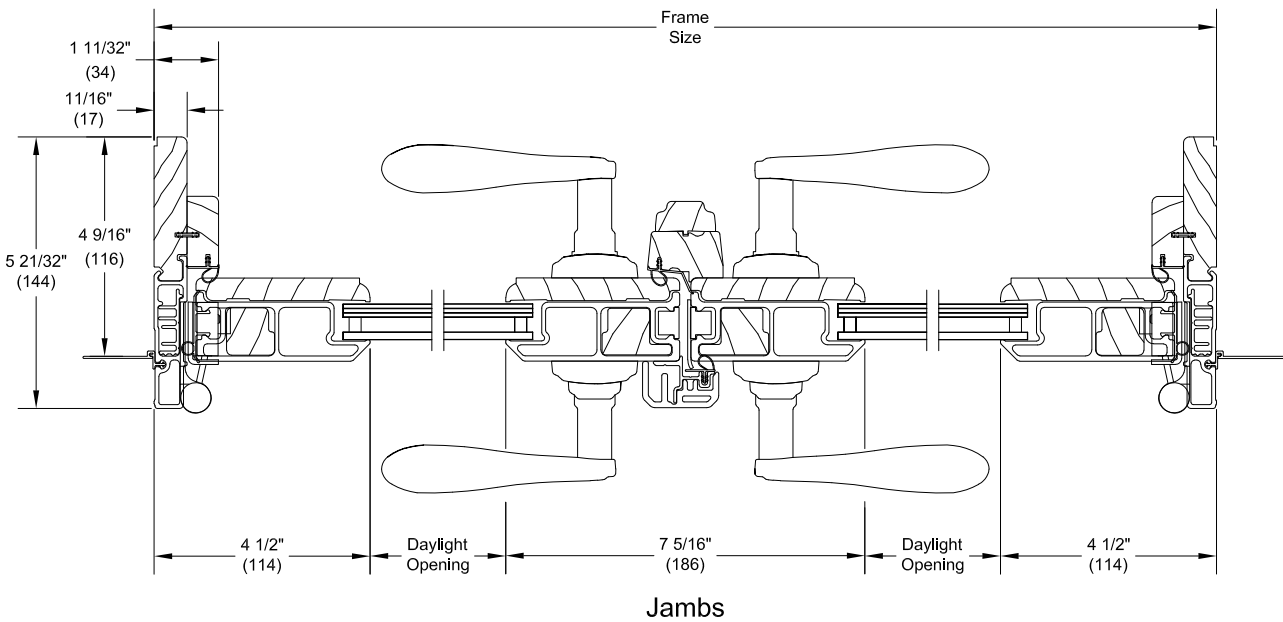
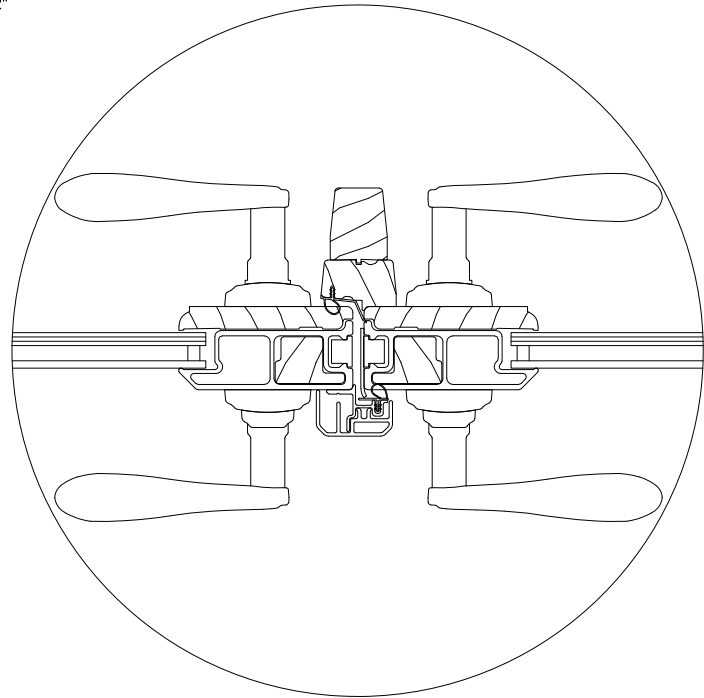
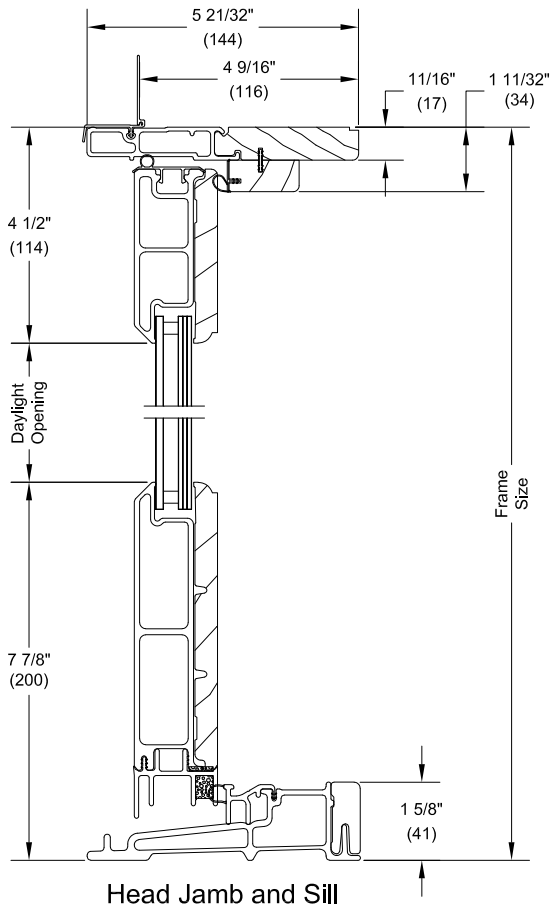


W9608 Astragal
For Heights Over 6-8



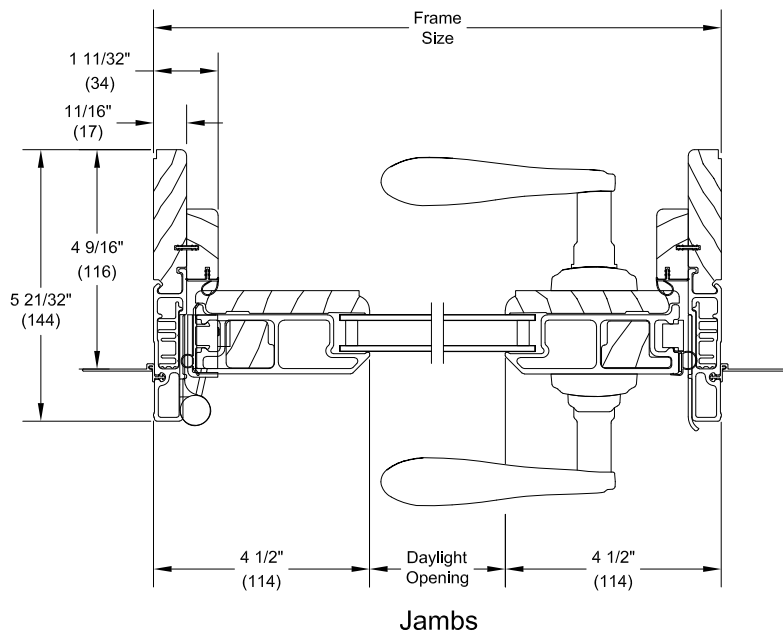
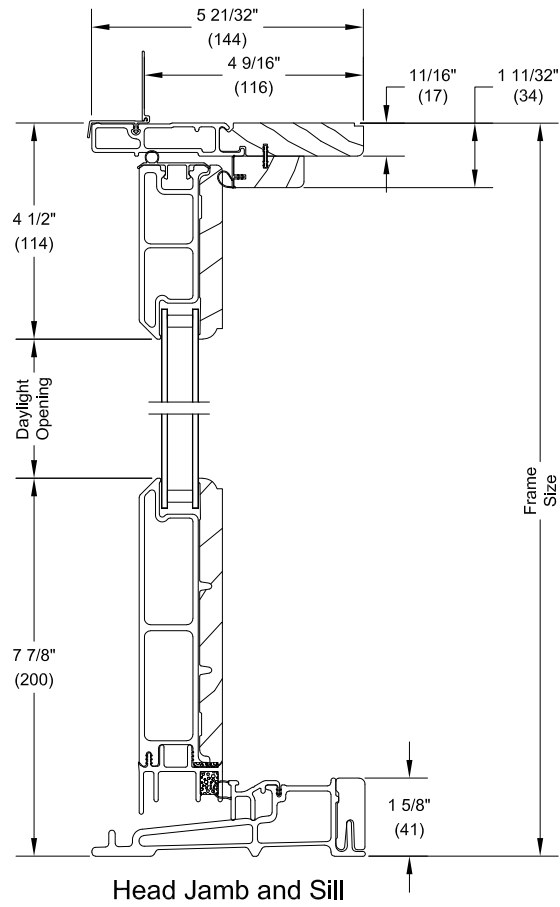
Section Details: IZ3 - 4 9/16" Jamb - XXR Operator

Scale: 3" = 1' 0"



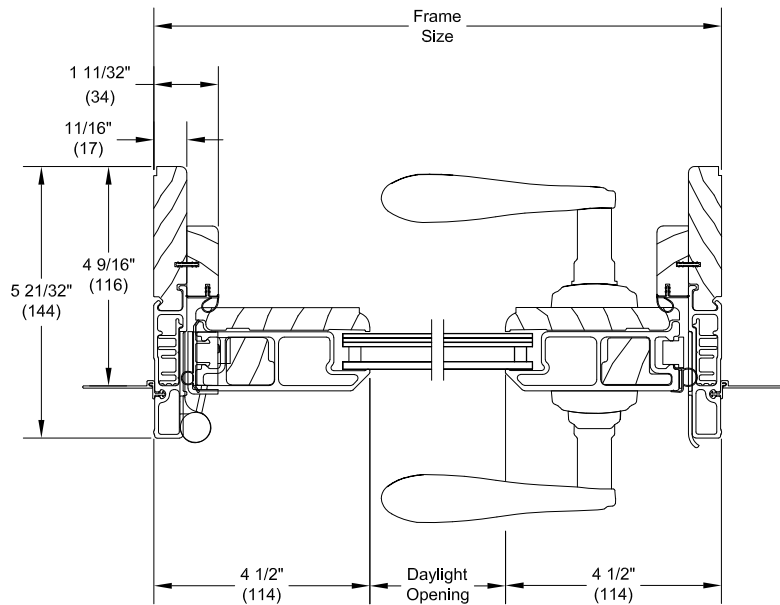
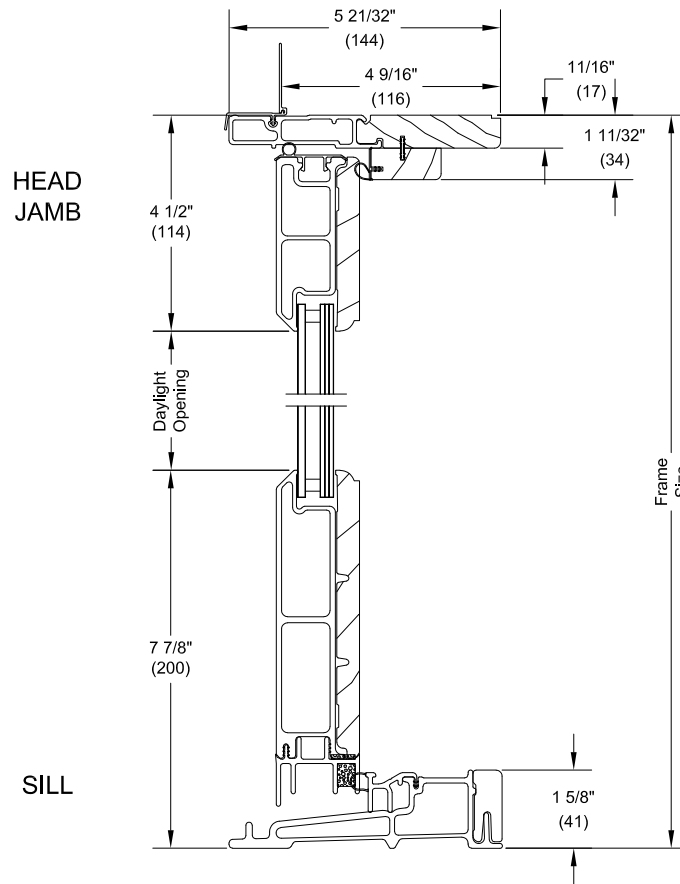
Section Details: Standard - 4 9/16" Jamb - X - Operator

Scale: 3" = 1' 0"



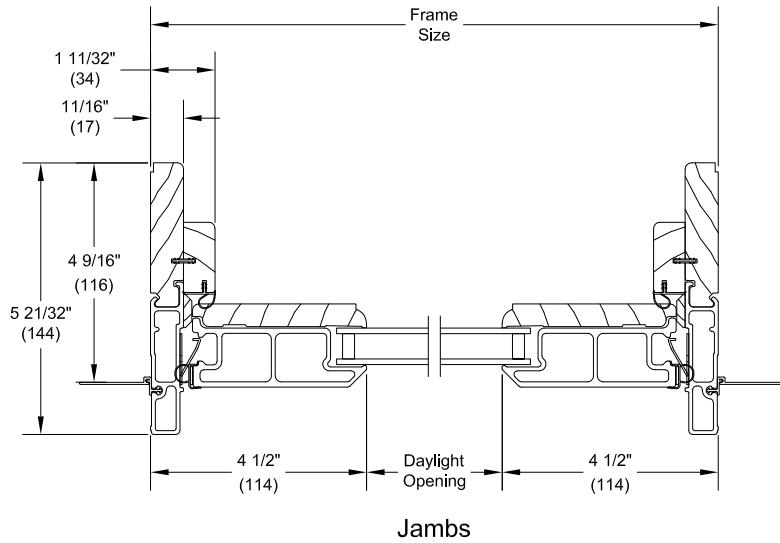
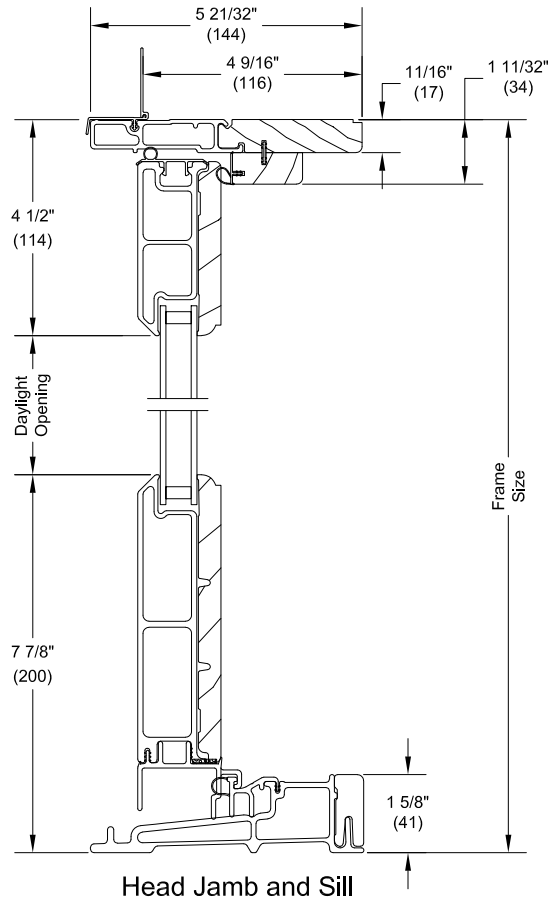
Section Details: IZ3 - 4 9/16" Jamb - X - Operator

Scale: 3" = 1' 0"



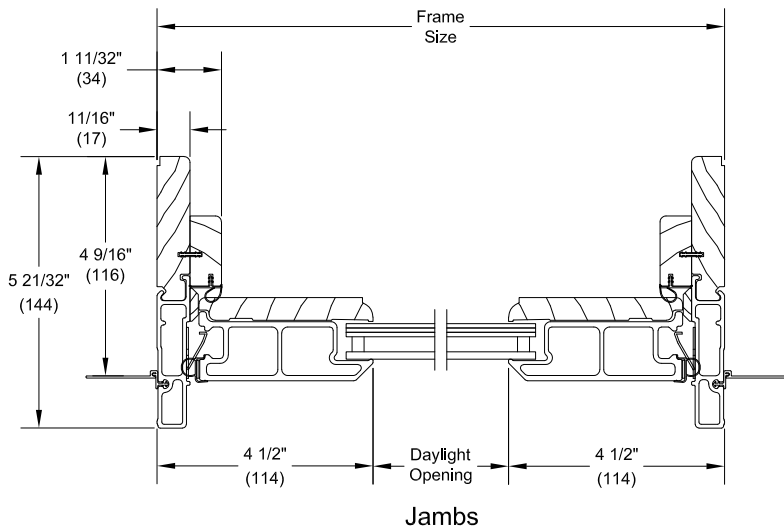
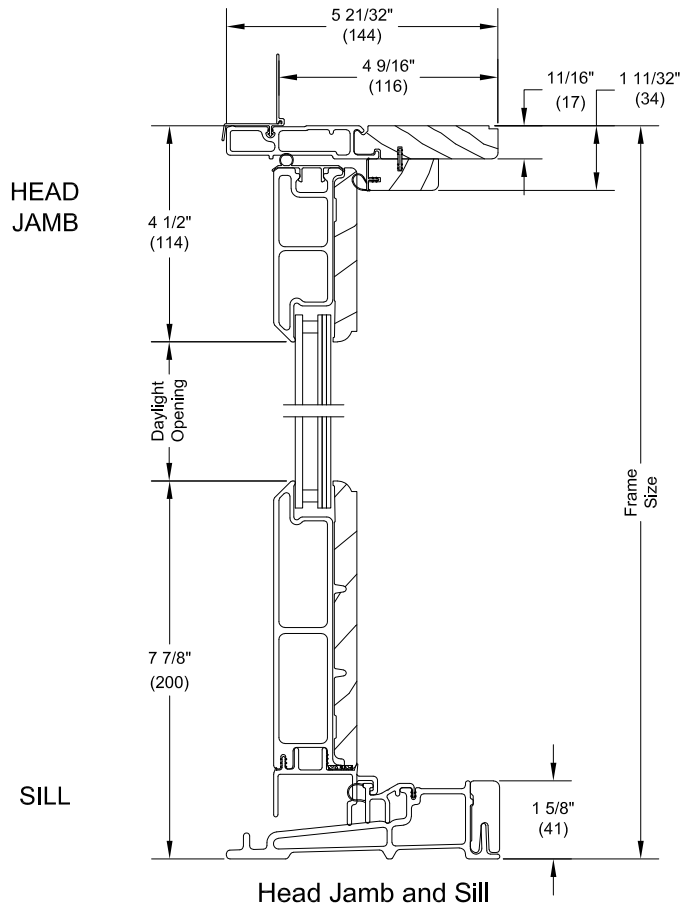
Section Details: Standard - 4 9/16" Jamb - O - Stationary

Scale: 3" = 1' 0"



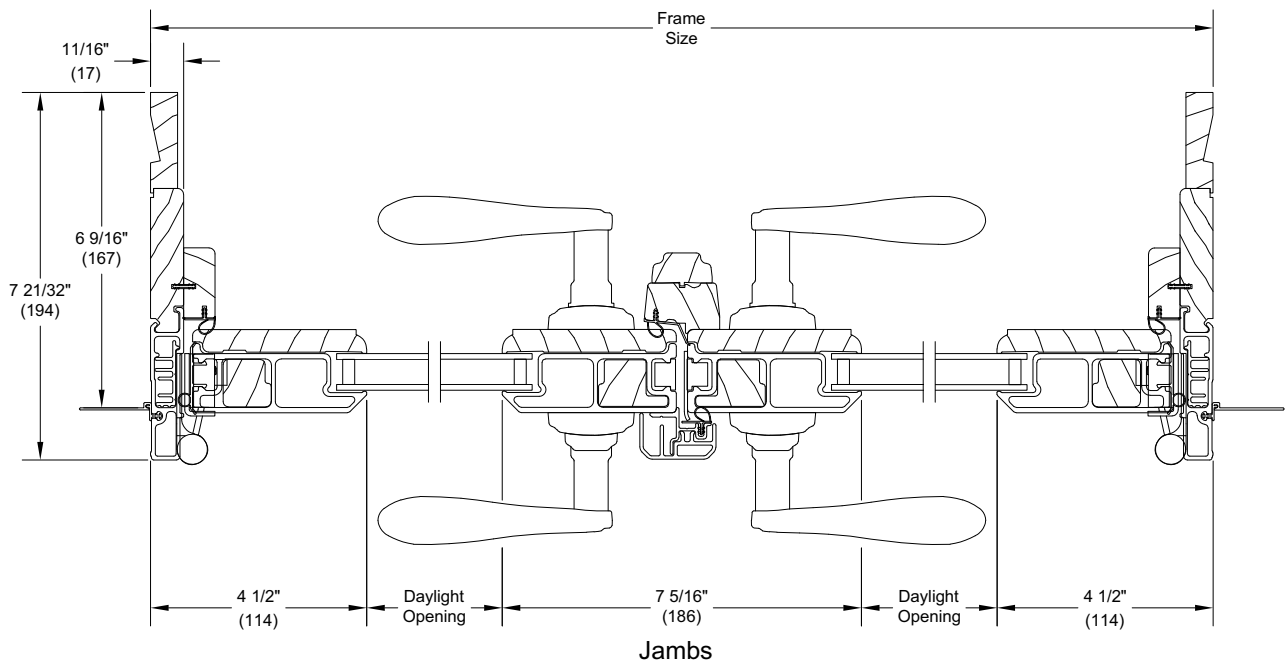
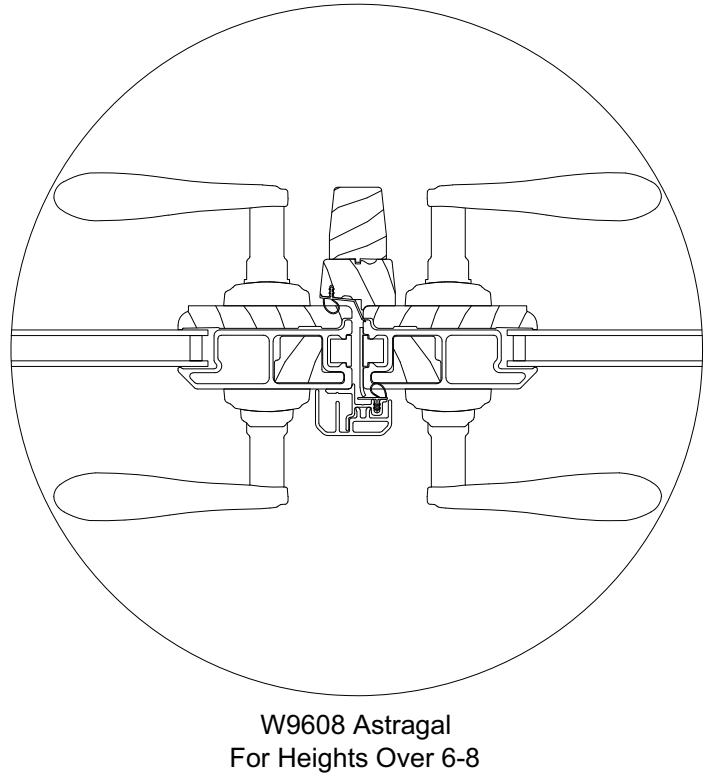
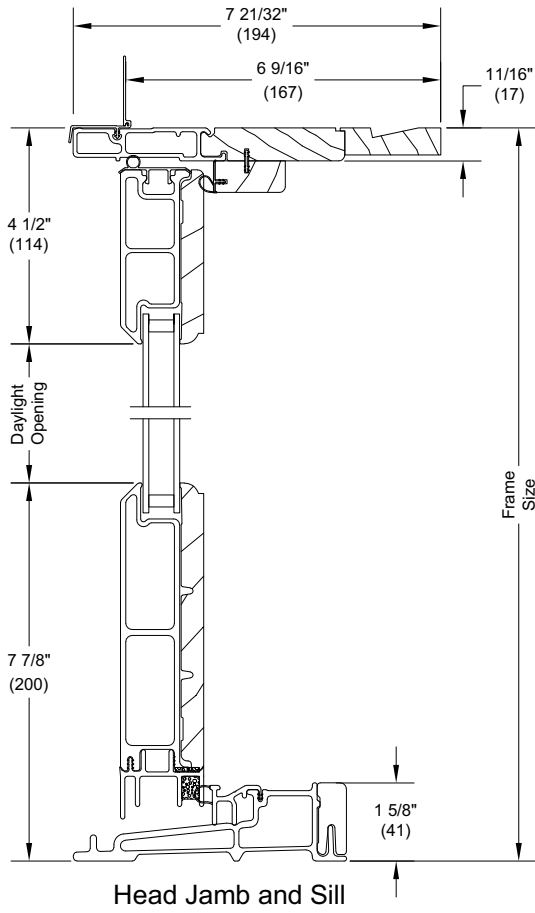
Section Details: IZ3 - 4 9/16" Jamb - O - Stationary

Scale: 3" = 1' 0"



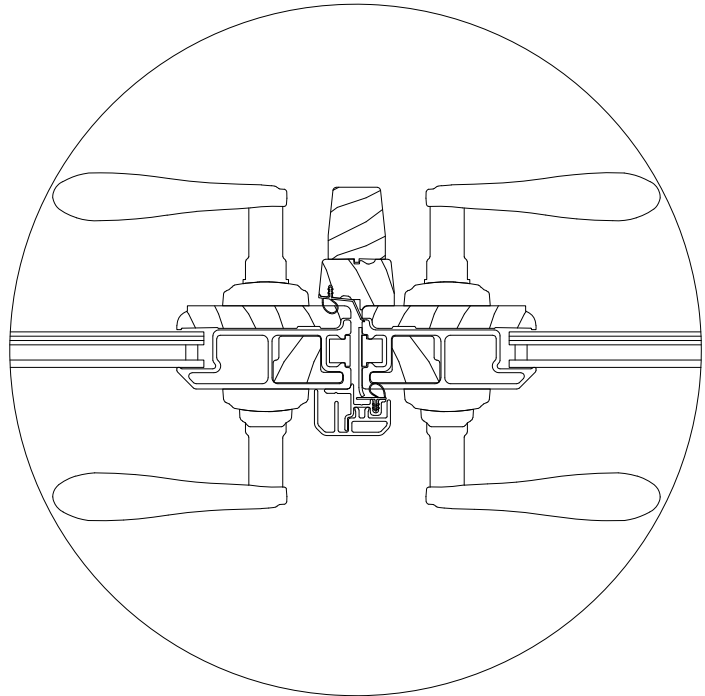
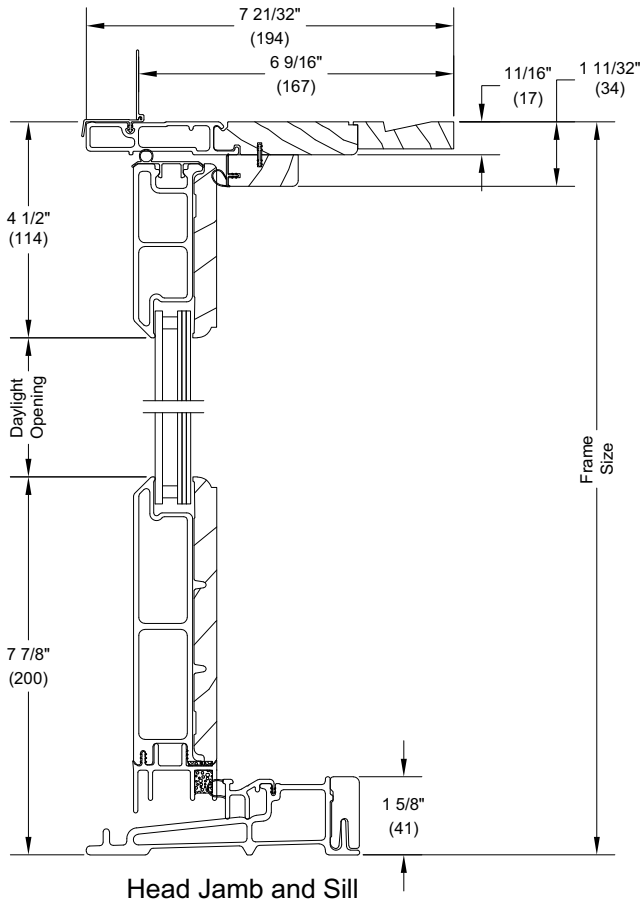
Section Details: Standard - 6 9/16" Jamb - XXR Operator

Scale: 3" = 1' 0"

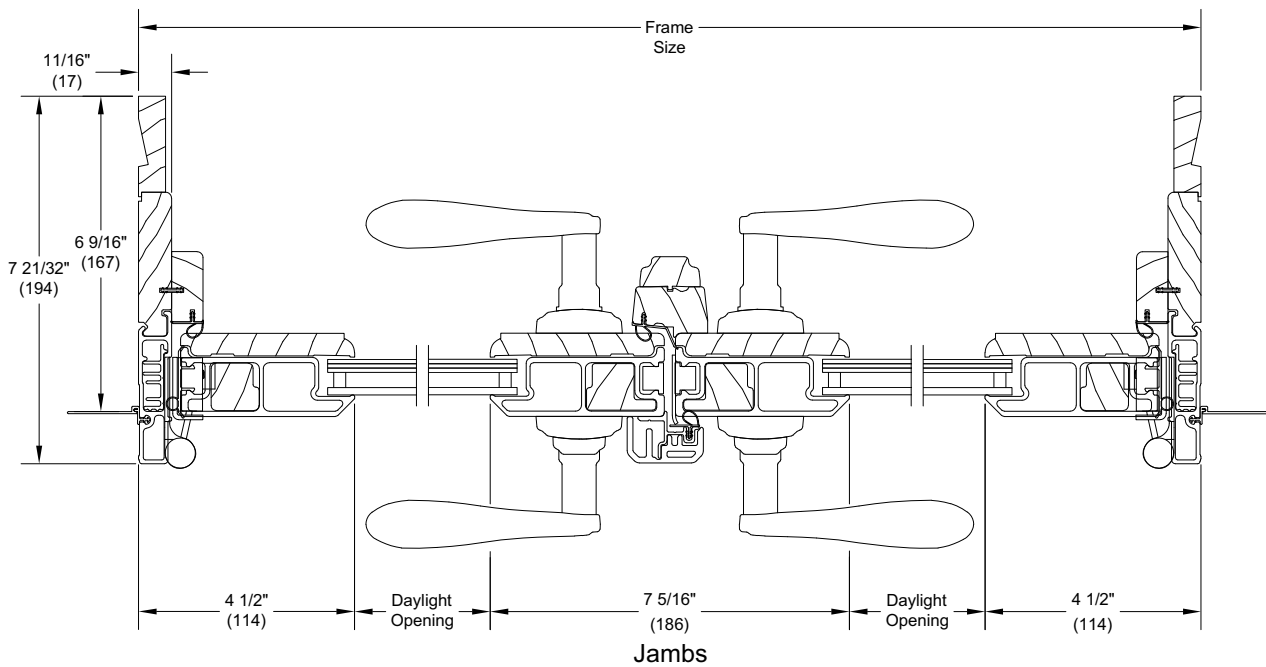


Section Details: IZ3 - 6 9/16" Jamb - XXR Operator

Scale: 3" = 1' 0"

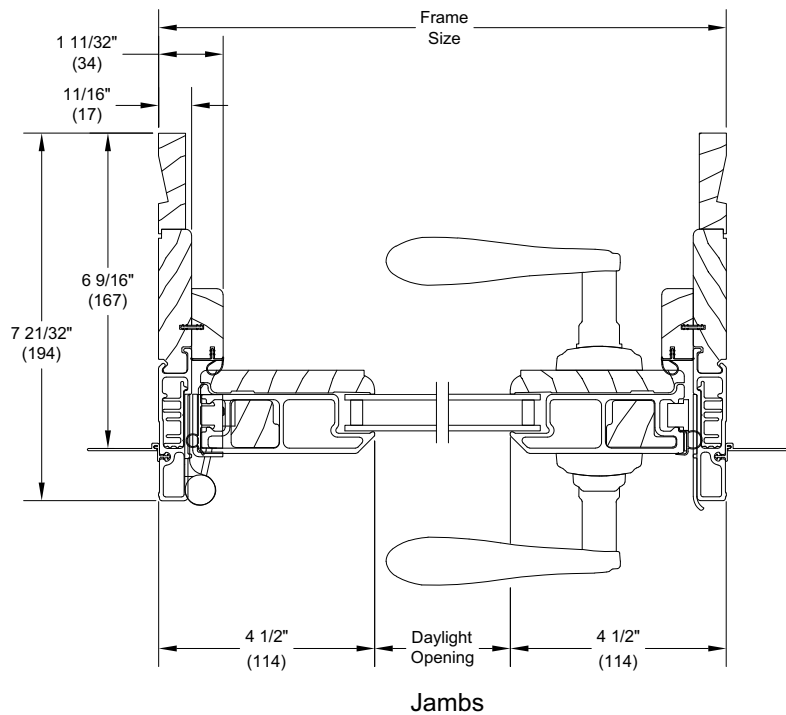
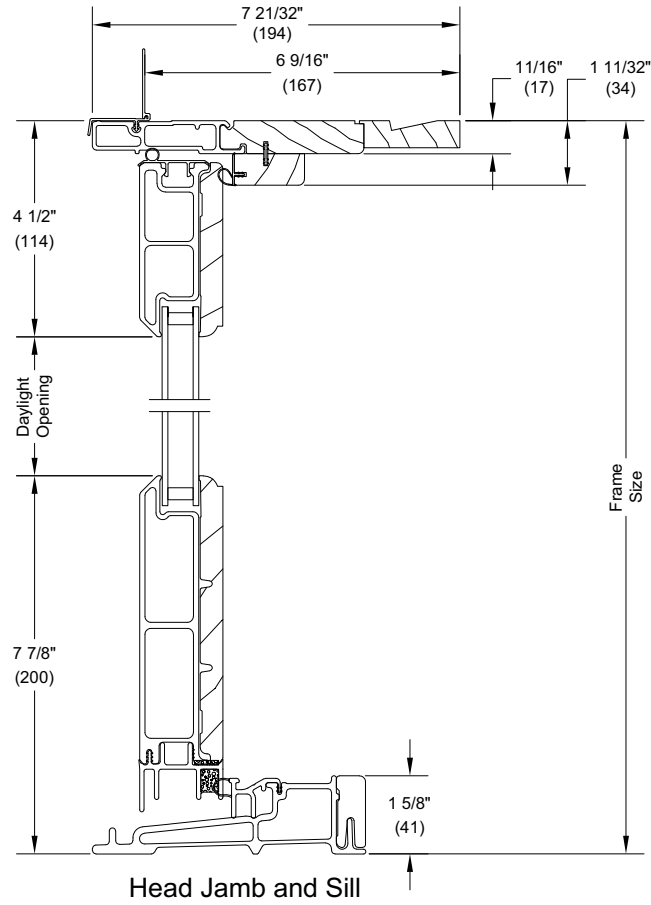


W9608 Astragal
For Heights Over 6-8



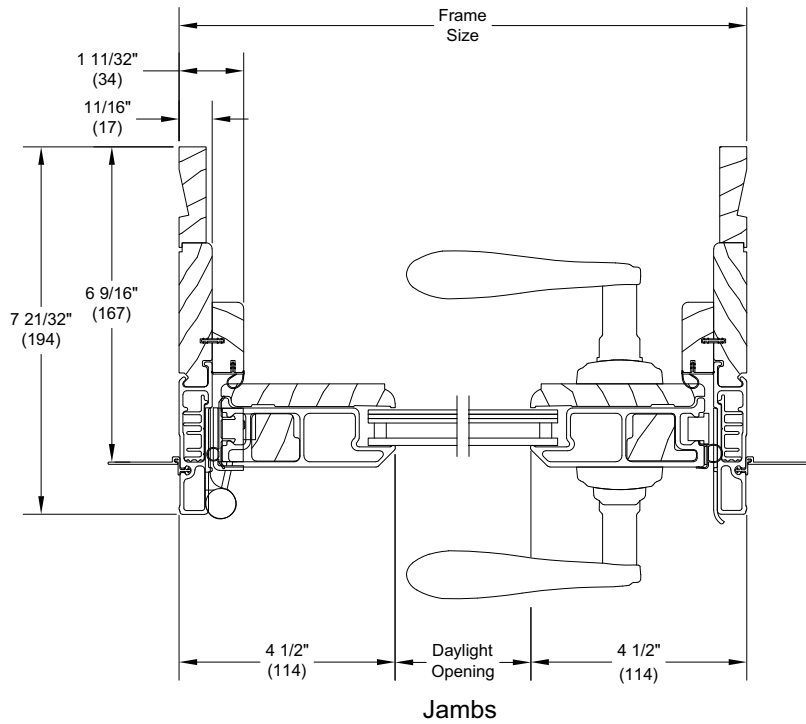
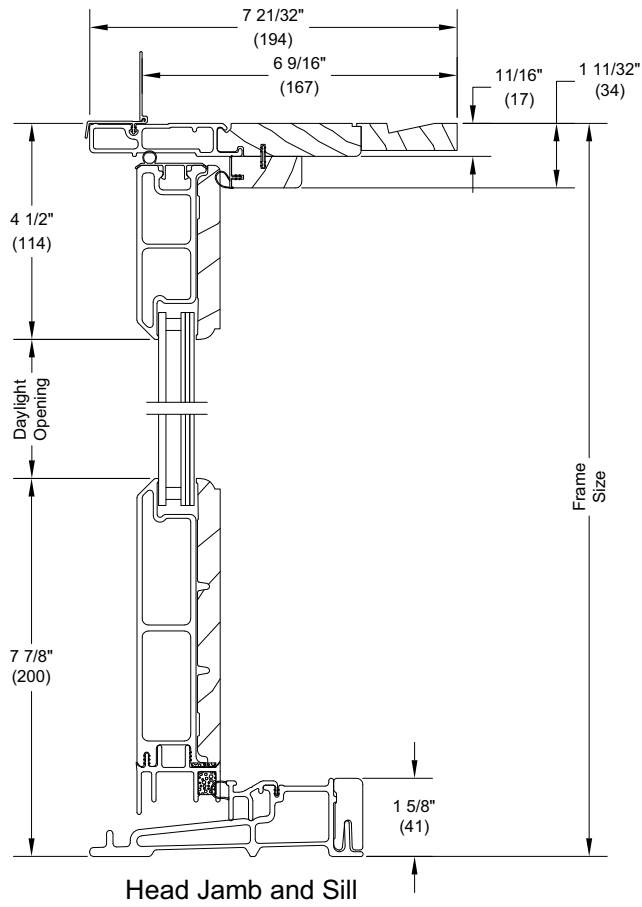
Section Details: Standard - 6 9/16" Jamb - X - Operator

Scale: 3" = 1' 0"



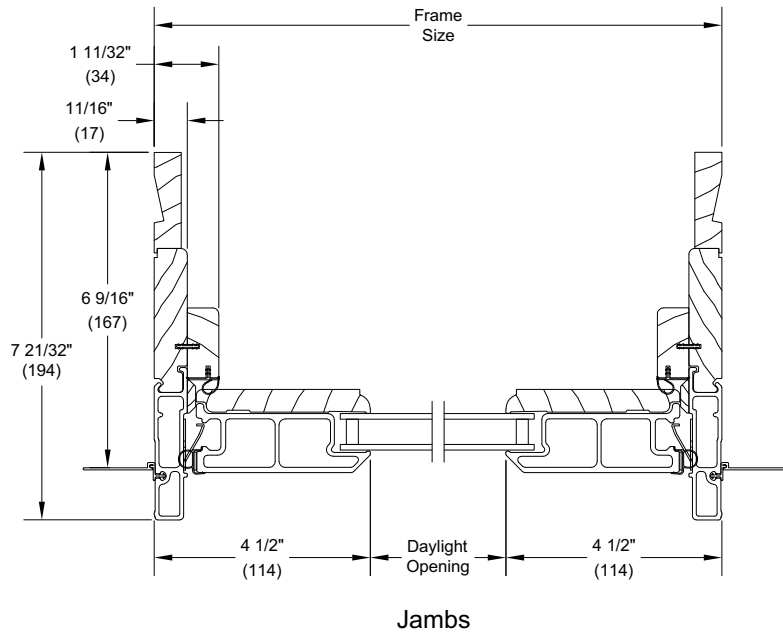
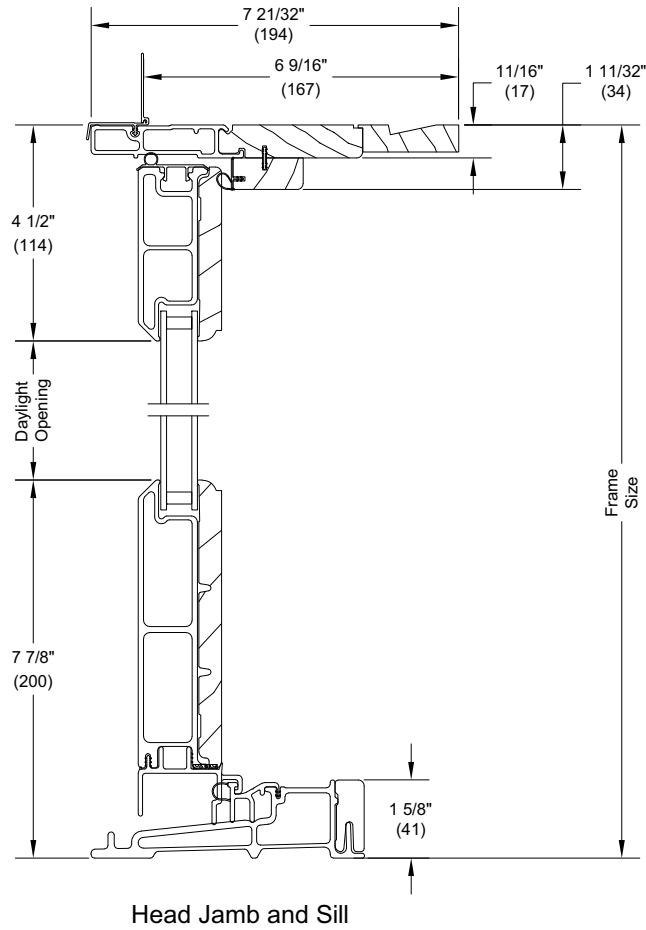
Section Details: IZ3 - 6 9/16" Jamb - X - Operator

Scale: 3" = 1' 0"



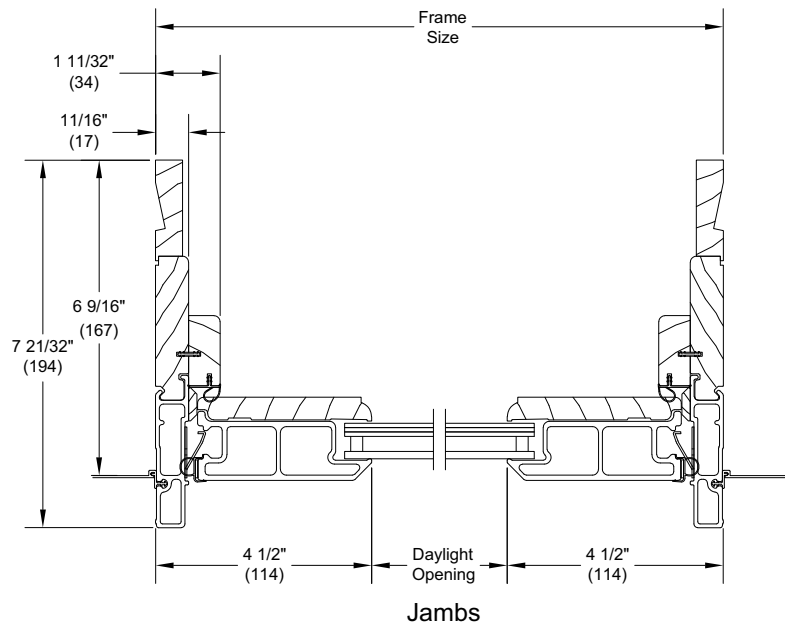
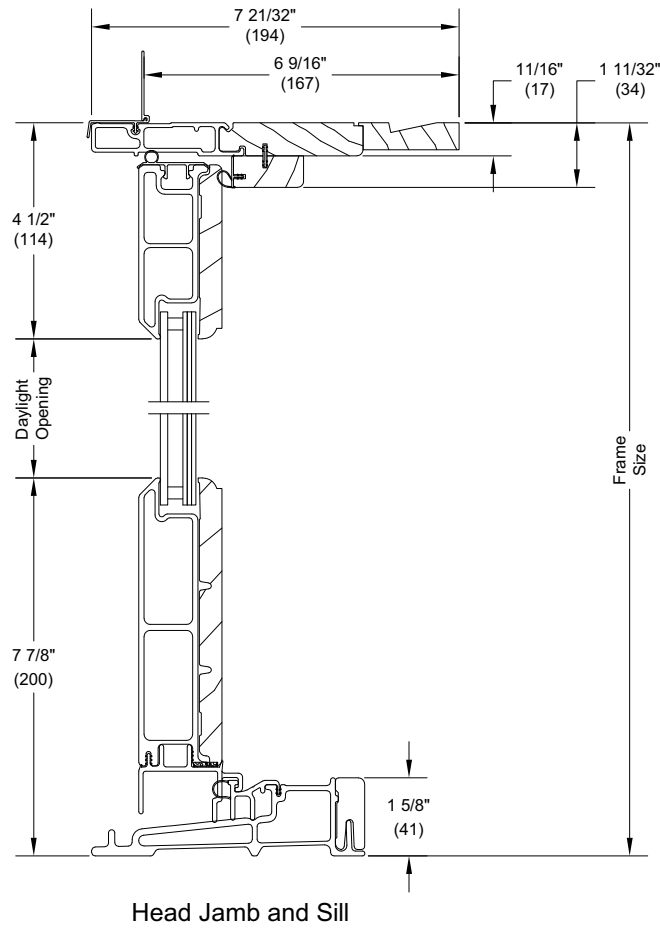
Section Details: Standard - 6 9/16" Jamb - O - Stationary

Scale: 3" = 1' 0"



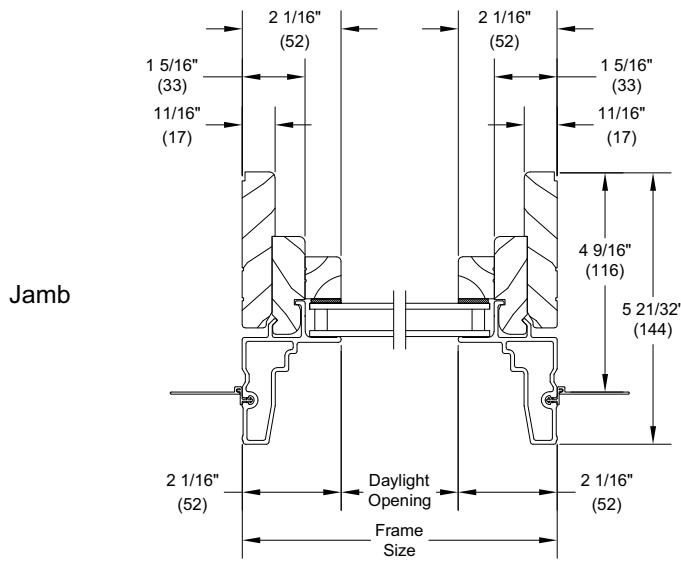
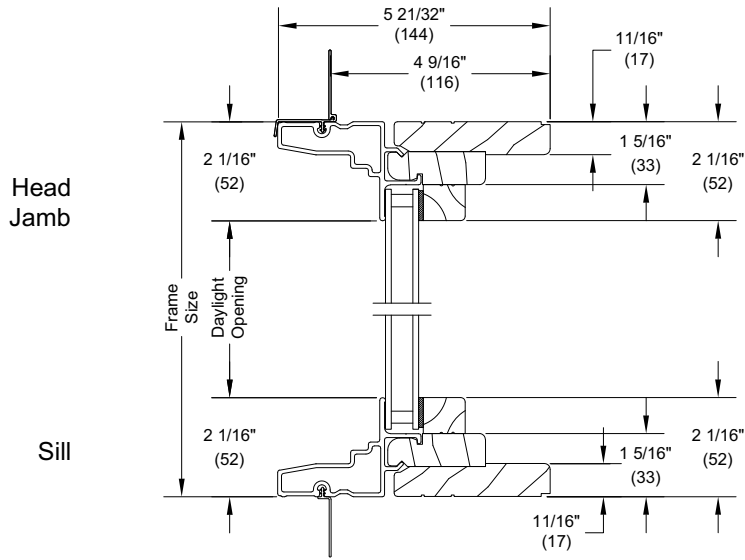
Section Details: IZ3 - 6 9/16" Jamb - O - Stationary

Scale: 3" = 1' 0"



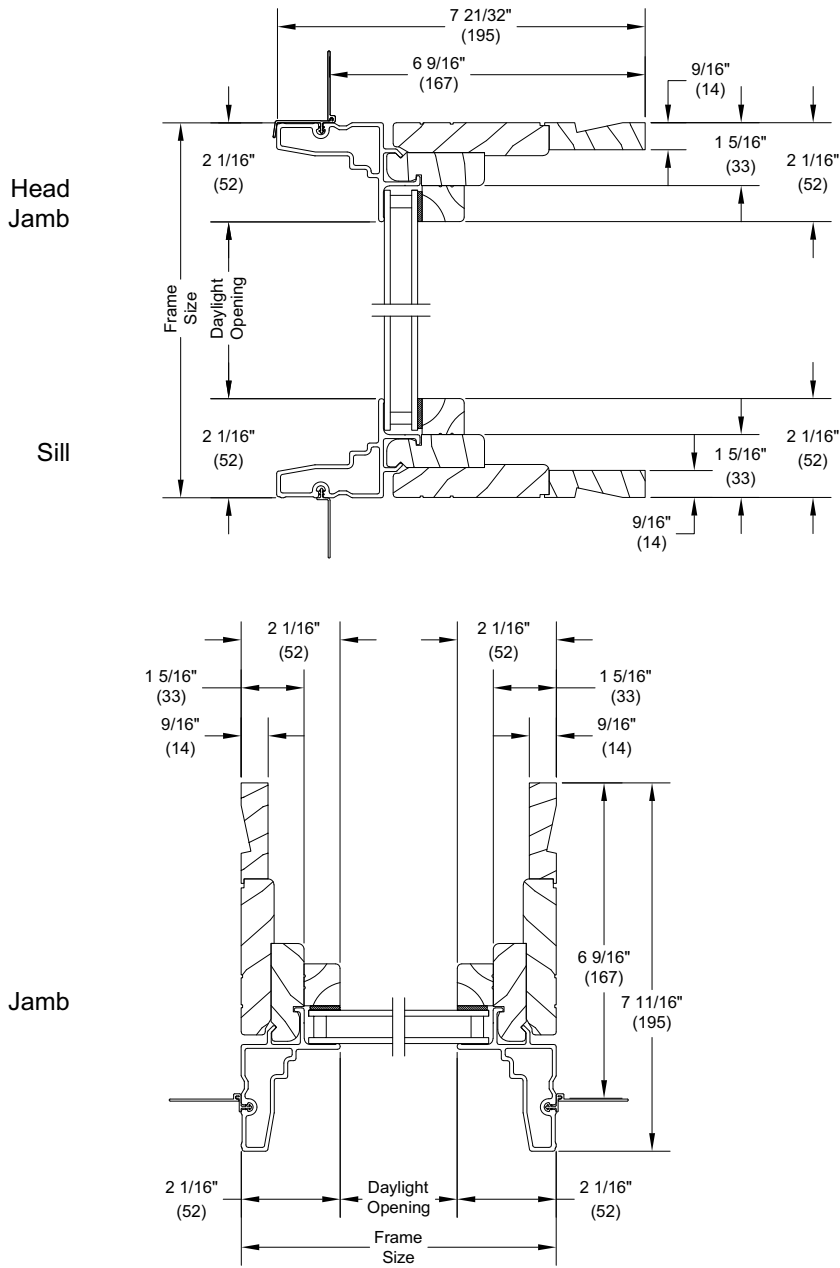
Section Details: Direct Glaze Rectangle - 4 9/16" (Standard)

Scale: 3" = 1' 0"



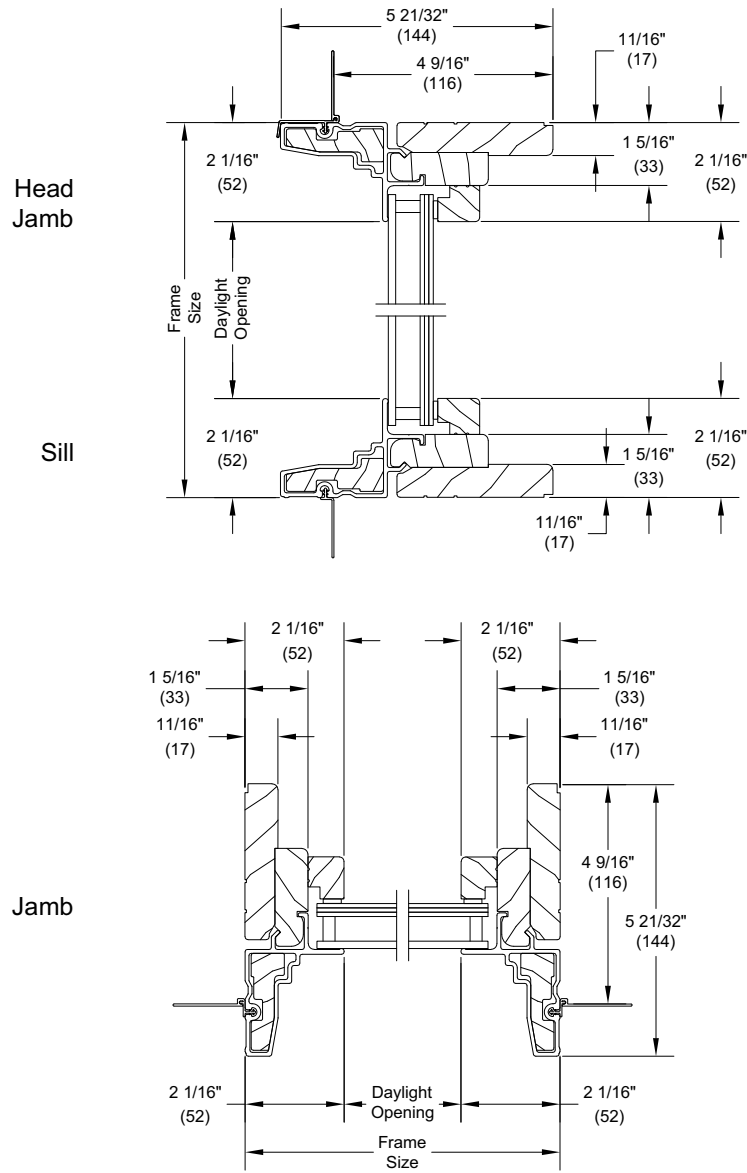
Section Details: Direct Glaze Rectangle - 6 9/16" (Standard)

Scale: 3" = 1' 0"



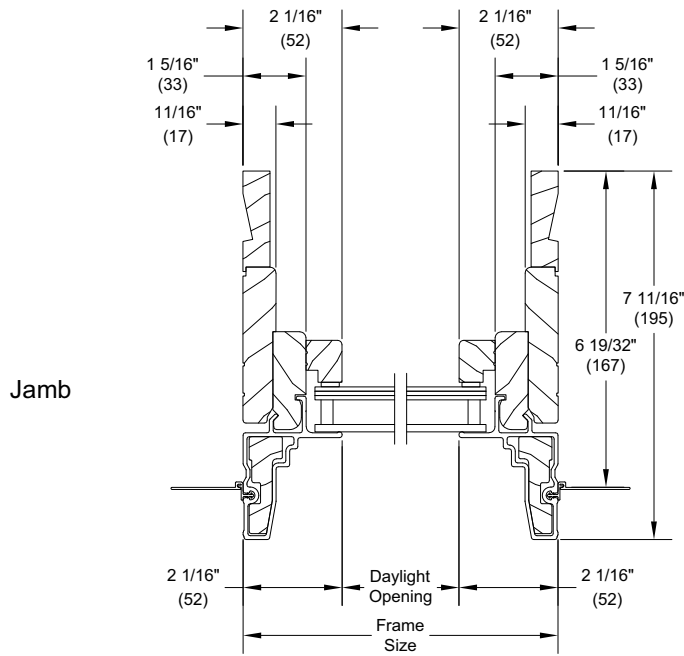
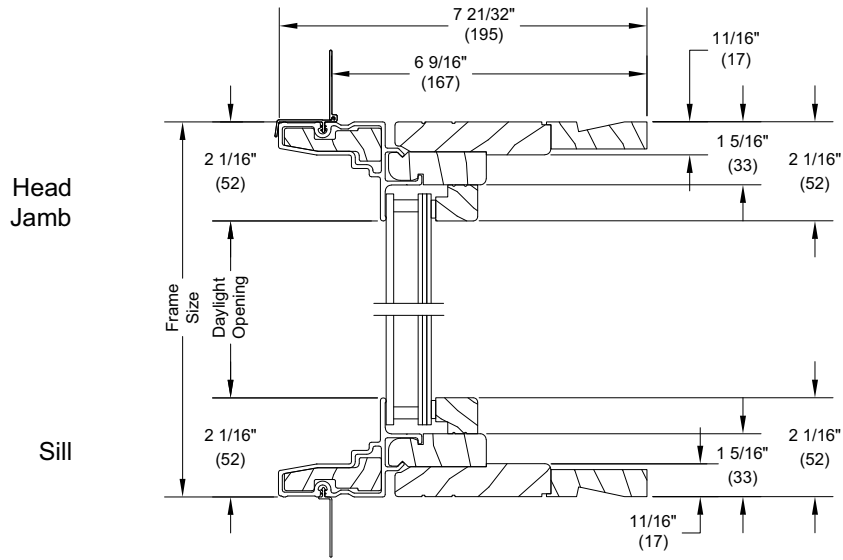
Section Details: Direct Glaze Rectangle - 4 9/16" Jamb (I23)

Scale: 3" = 1' 0"



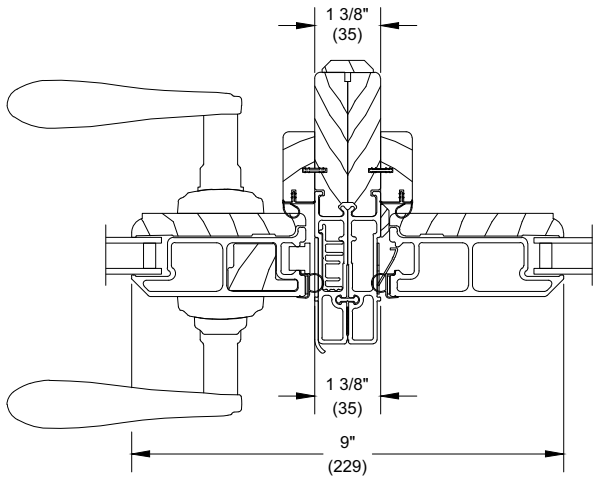
Section Details: Direct Glaze Rectangle - 6 9/16" Jamb (IZ3)

Scale: 3" = 1' 0"

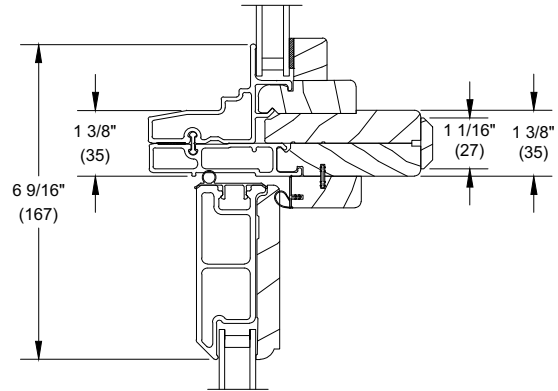


Section Details: Mullions (Standard Mull)

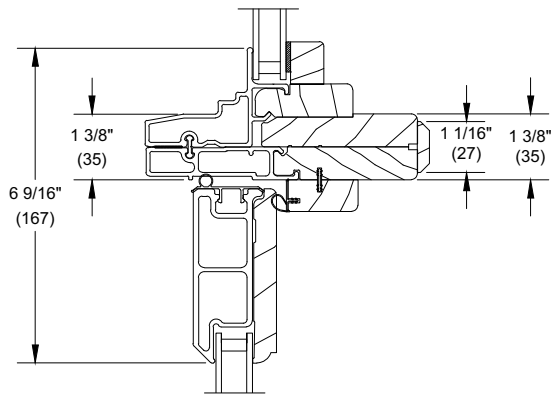
Scale: 3" = 1' 0"



Vertical Mullion
X - O Operator



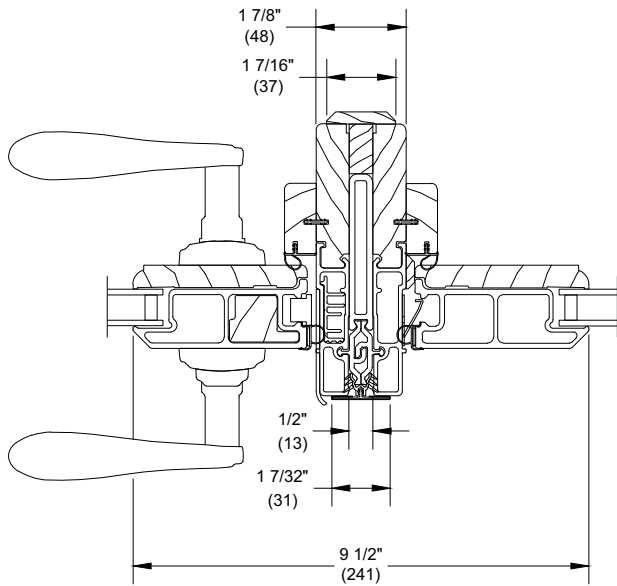
Direct Glaze Transom
Over Outswing French Door - 4 9/16"
Jambs



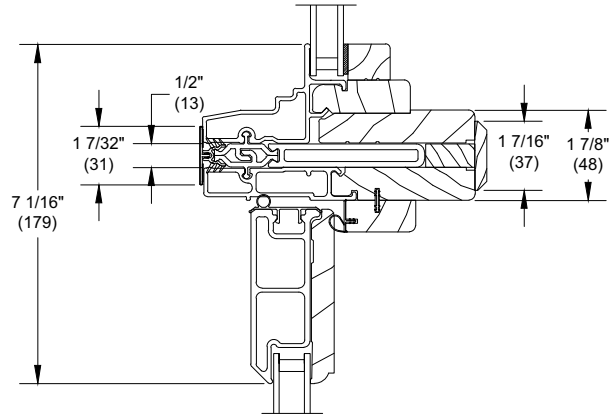
Direct Glaze Transom
Over Outswing French Door - 6 9/16"
Jambs

Section Details: Mullions (1/2" MRF)

Scale: 3" = 1' 0"



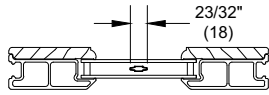
Vertical Mullion XR -
O With 1/2" MRF



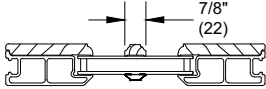
Direct Glaze Transom Over
Outswing French Door With 1/2"
MRF

Section Details: Divided Lite Options

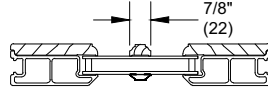
Divided Lite Options



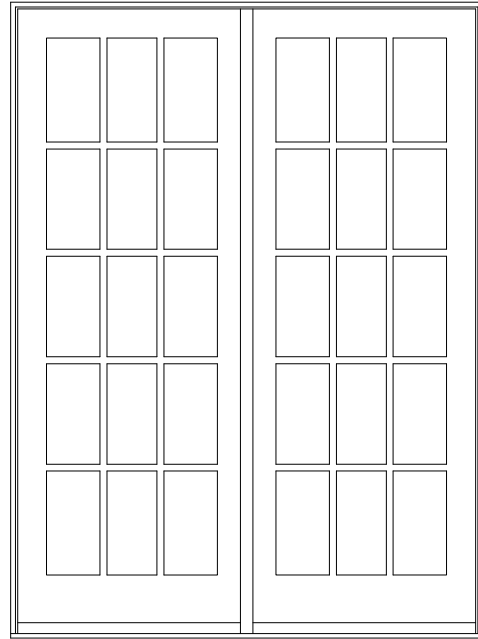
Aluminum Grille
Between Glass



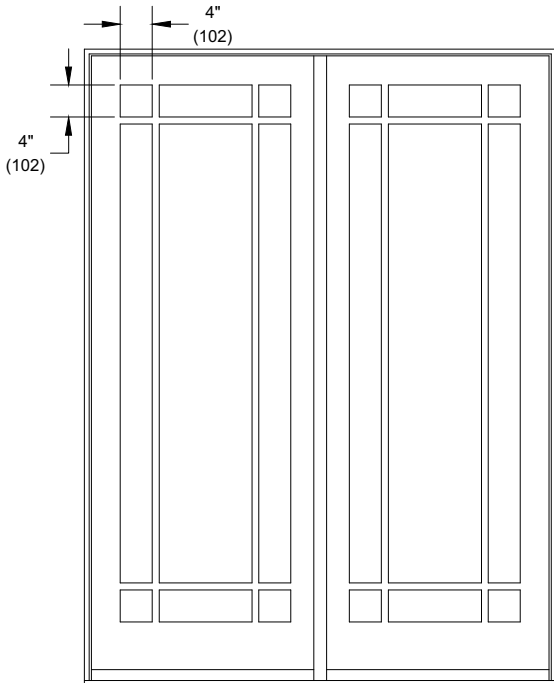
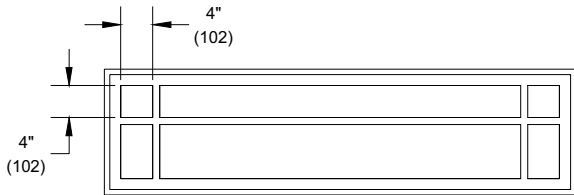
Wood SDL
Without Spacer Bar



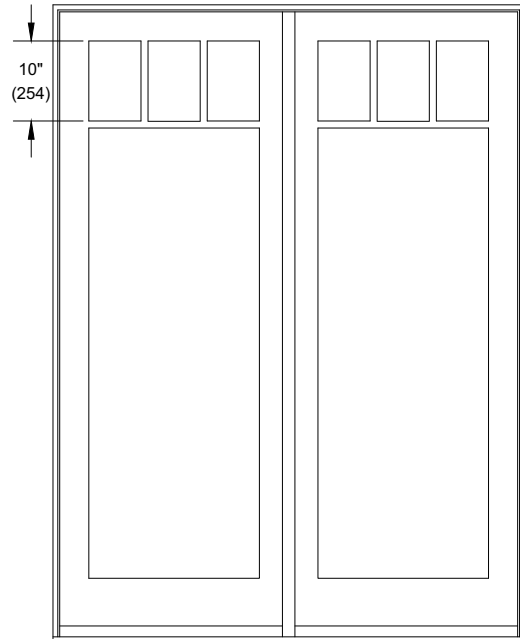
Wood SDL
With Spacer Bar



Rectangle Cut



Prairie Lite Cut



Cottage Lite Cut

Section Details: Divided Lite Patterns

Default Rectangular Lite Pattern per Panel - GBG, SDL, SDLS

Standard CN Height	Standard CN Width					
	26	28	30	50	54	60
65	3W5H	3W5H	3W5H	3W5H	3W5H	3W5H
68	3W5H	3W5H	3W5H	3W5H	3W5H	3W5H
70	3W5H	3W5H	3W5H	3W5H	3W5H	3W5H
80	3W6H	3W6H	3W6H	3W6H	3W6H	3W6H

Optional Rectangular Lite Pattern per Panel - GBG, SDL, SDLS

Standard CN Height	Standard CN Width					
	26	28	30	50	54	60
65	2W5H	2W5H	2W5H	2W5H	2W5H	2W5H
68	2W5H	2W5H	2W5H	2W5H	2W5H	2W5H
70	2W5H	2W5H	2W5H	2W5H	2W5H	2W5H
80	2W6H	2W6H	2W6H	2W6H	2W6H	2W6H

Optional Prairie Lite Pattern per Panel - GBG, SDL, SDLS

Standard CN Height	Standard CN Width					
	26	28	30	50	54	60
65	9-Lite	9-Lite	9-Lite	9-Lite	9-Lite	9-Lite
68	9-Lite	9-Lite	9-Lite	9-Lite	9-Lite	9-Lite
70	9-Lite	9-Lite	9-Lite	9-Lite	9-Lite	9-Lite
80	9-Lite	9-Lite	9-Lite	9-Lite	9-Lite	9-Lite

NOTE: Prairie Pattern GBG and SDLS are not available for CN80 height.

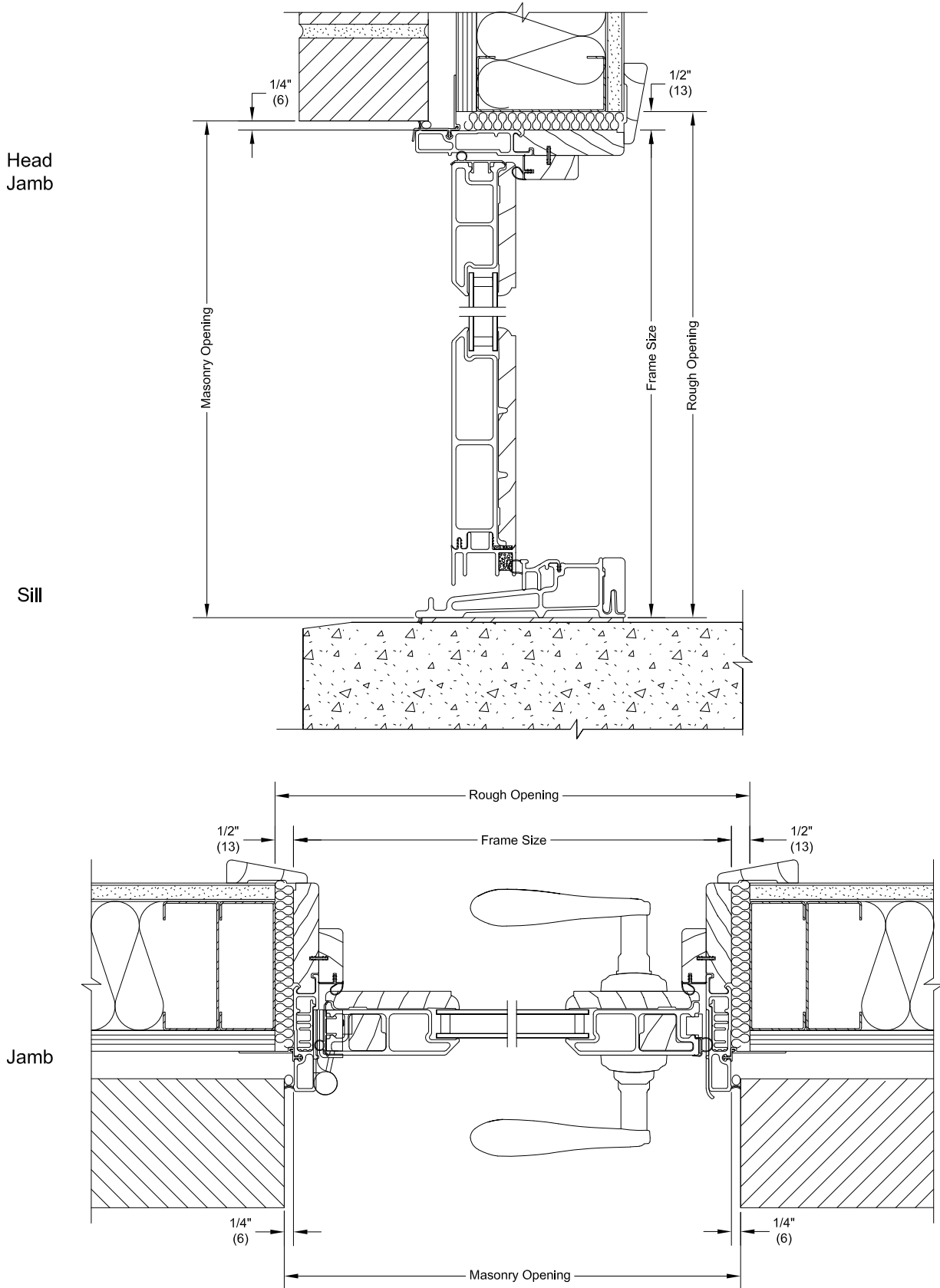
Optional Cottage Lite Pattern per Panel - SDL, SDLS

Standard CN Height	Standard CN Width					
	26	28	30	50	54	60
65	4-Lite	4-Lite	4-Lite	4-Lite	4-Lite	4-Lite
68	4-Lite	4-Lite	4-Lite	4-Lite	4-Lite	4-Lite
70	4-Lite	4-Lite	4-Lite	4-Lite	4-Lite	4-Lite
80	4-Lite	4-Lite	4-Lite	4-Lite	4-Lite	4-Lite

Section Details: Divided Lite Patterns**NOTES:**

- Due to the inherent qualities of tempered glass, daylight gaps may be seen when using simulated divided lite bars. Daylight gaps could be visible between the internal spacer bar and surface applied bars when viewing from an acute angle to the glass on the following applications:
 - Tempered glass over 91" high while using 7/8" SDL bars.
- Rectangle GBGs for special size units will default to the next smaller standard size lite pattern. Also available will be Prairie patterns, Cottage patterns, and customer specified equal rectangular lite patterns.
- Rectangular SDL for special size units will default to the next smaller standard size lite pattern. Also available will be Prairie patterns, Cottage patterns, and customer specified equal rectangular lite patterns.
- Prairie GBG and SDL available in 9 lite and 6 lite top, bottom, left, and right patterns.
- Cottage GBGs and SDL for special sizes units will default to the next smaller standard size lite pattern. Cottage GBGs and SDL are also available in customer selected lite patterns.
- Maximum number of lites wide and high for equal lite SDL option is 11 lites.
- Minimum DLO measurement for equal lite SDL option is 4" (102) and will be validated by OMS.
- Minimum DLO measurement for equal lite GBG option is 3" (76) and will be validated by OMS.
- Standard DLO measurement for Prairie GBG and SDL options is 4" (102). Special DLO corners are n/a.
- Standard DLO height measurement for Cottage SDL option is 10" (254). Minimum DLO height is 8" (203) for one high pattern. Minimum DLO height is 4" (102) for two high pattern.
- Standard DLO height measurement for Cottage GBG option is 10" (254). Minimum DLO height is 3" (76) for both one and two high patterns.
- Simulated Rail: Rectangular, Prairie 6- Lite and 9- Lite SDL patterns are available with Simulated Rail.
- Simulated Rail: Custom ratio and specified DLO are available with Simulated Rail and will be validated by OMS.
- GBGs are not available on Impact IZ3.
- GBGs are not available with an unsupported bar length > 72".

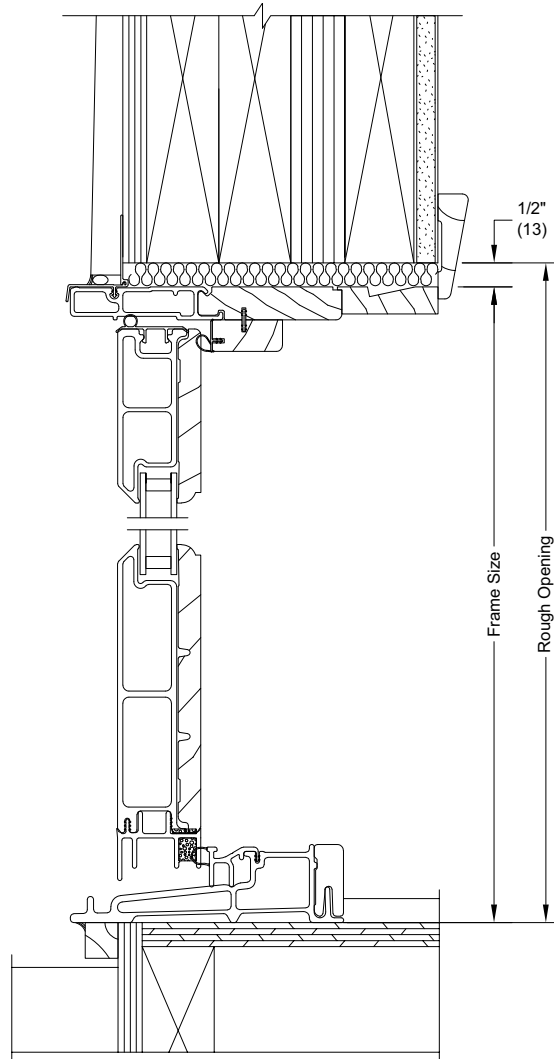
Installation Suggestions: Brick Veneer with Steel Frame Construction



NOTE: The above wall sections represent typical wall conditions, these detail are not intended as installation instructions. Please refer to the installation instructions provided with the purchased units.

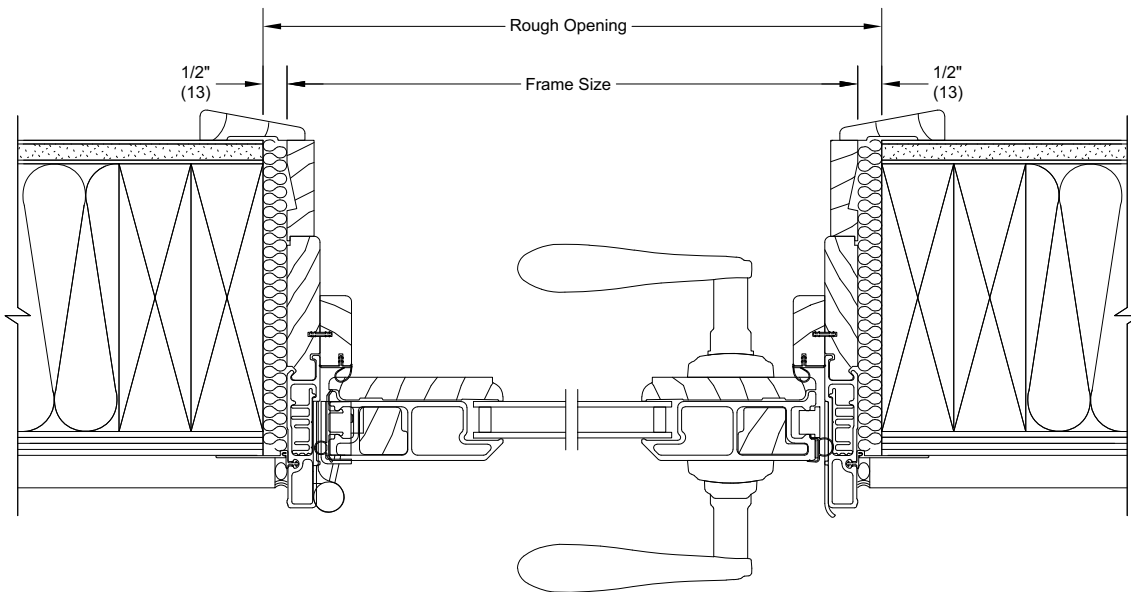
Installation Suggestions: Wood Siding with 2x6 Frame Construction

Head
Jamb



Sill

Jamb

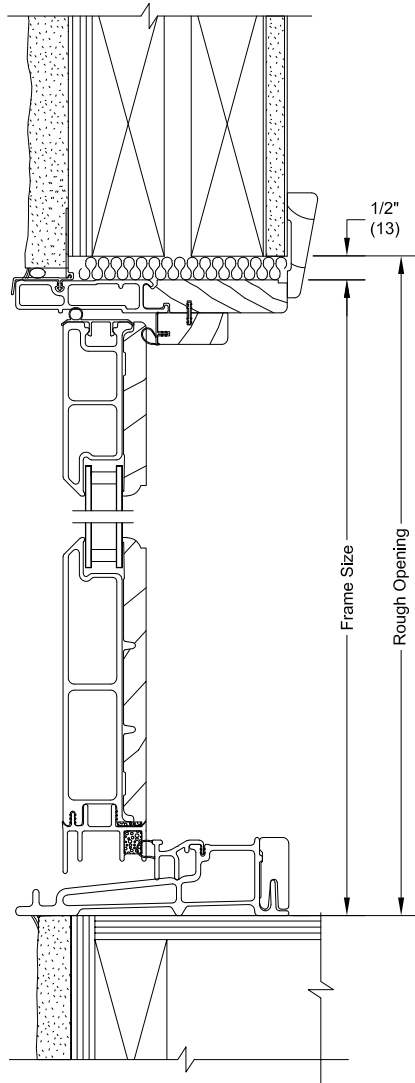


NOTE: The above wall sections represent typical wall conditions, these detail are not intended as installation instructions. Please refer to the installation instructions provided with the purchased units.

Installation Suggestions: Stucco with 2x4 Frame Construction

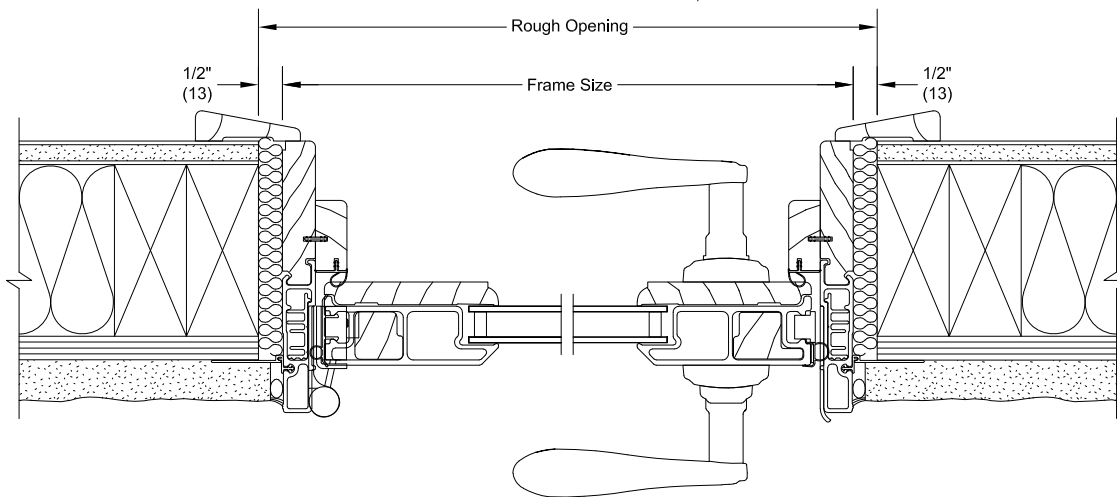
Scale: 3" = 1' 0"

Head
Jamb



Sill

Jamb



NOTE: The above wall sections represent typical wall conditions, these detail are not intended as installation instructions. Please refer to the installation instructions provided with the purchased units.