

Coastline Glass Garage Door

Unit Features.....	1
Minimum and Maximum Guidelines.....	3
Glass Garage Door Section Details.....	4

Unit Features

Product Name: Coastline Glass Garage Door IZ4

Abbreviation: COGD GLS IZ4

Material and Construction:

- Section rails and stiles are 0.094" extruded aluminum
- Section depth is 3.000"
- Optional Color Finishes:
 - White
 - Bronze
 - Anodized
 - Walnut
 - Hazelnut
 - Red Cinnamon
 - English Oak
 - White Kynar
 - Bronze Kynar
 - Black Kynar
 - Custom Colors available

Sections:

- Solid sections available
- Privacy Glass available

Hardware:

- Overhead, side, or rear mount motor
- 2" or 3" tracks
- Low, Standard, High, or Vertical Lift Options
- Keypad available

Divided Lite Options:

- Authentic Divided Lites (up to 8 lites wide per section)

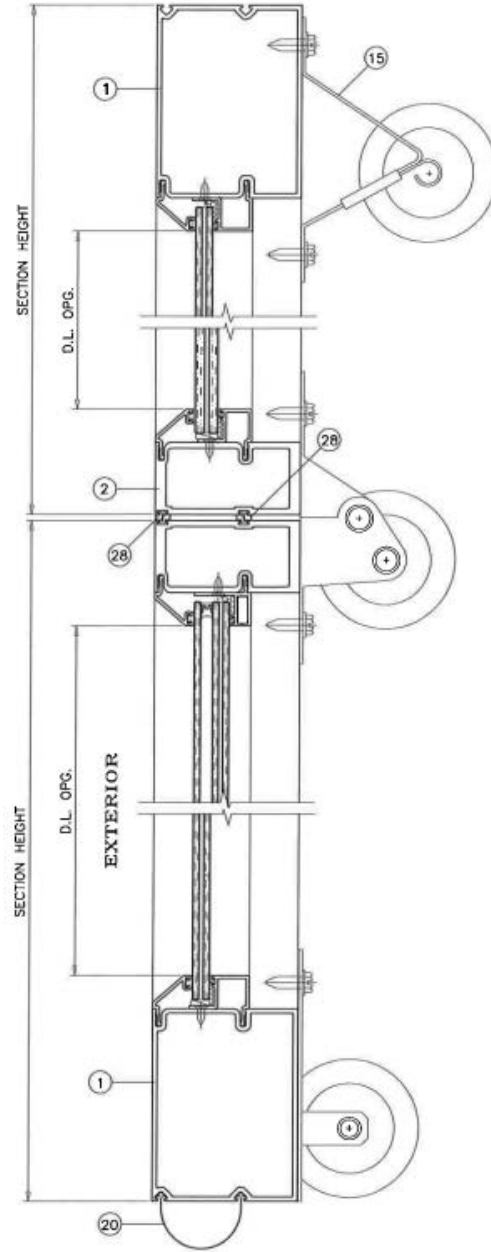
Glass and Glazing:

- Glass Options:
 - 5/16" Laminated PVB
 - 7/16" Laminated SGP
 - 11/16" Insulated PVB
- Glass Tint Options:
 - Clear
 - Grey Tint
 - Bronze Tint
 - Green Tint
 - Azurelite Blue Tint
 - LoE 366 Clear
 - LoE 366 Grey
 - LoE 366 Bronze
 - LoE 366/ i89
 - Solarban 70 Clear
 - Solarban 70 Grey
 - Solarban 70 Bronze
- Options:
 - White Interlayer
 - Rain
 - Double Tint
 - Neat

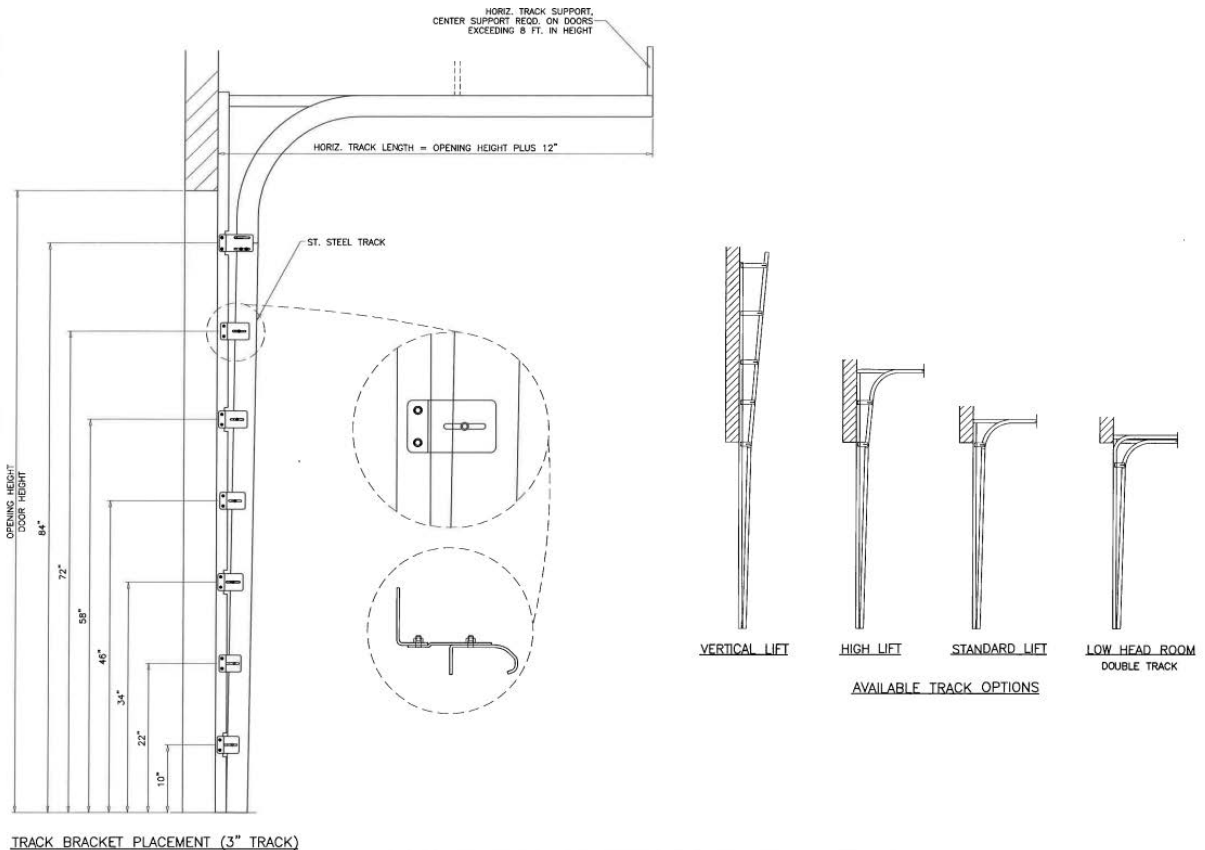
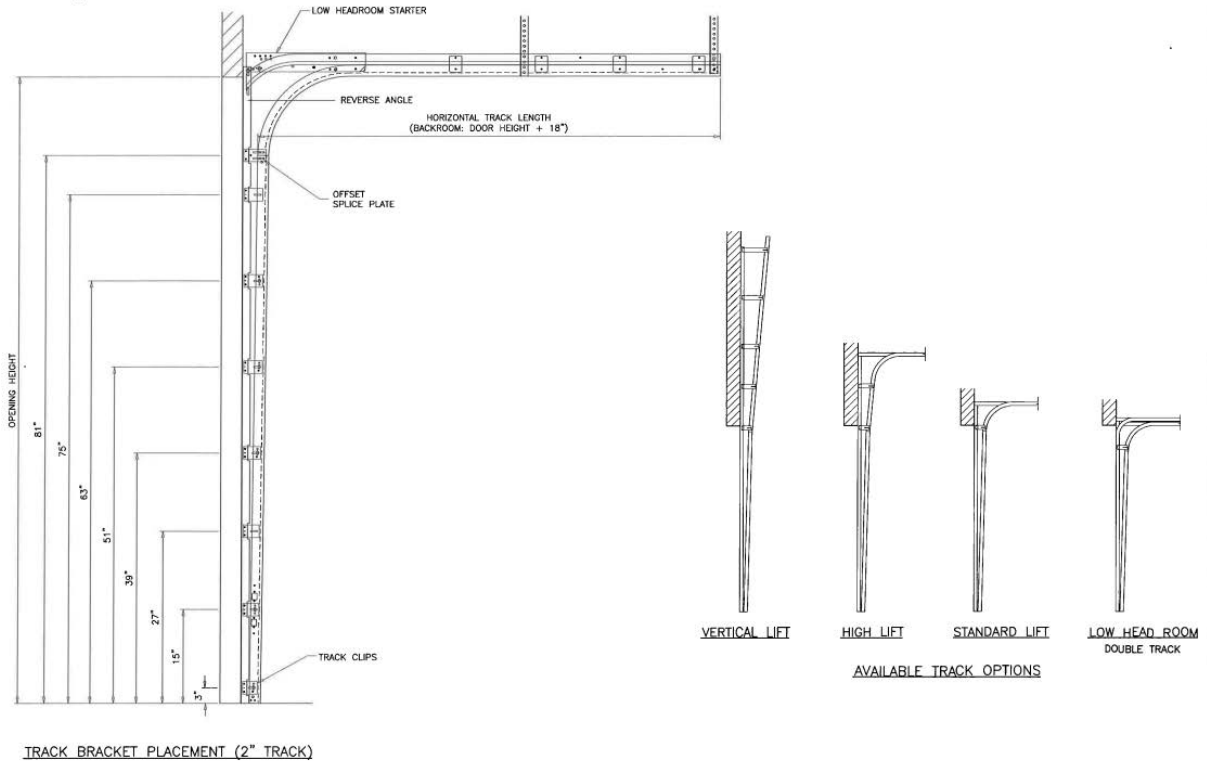
Minimum and Maximum Guidelines

PRODUCT ABBREVIATION	MAX FRAME AREA (sq ft)	MAX FRAME WIDTH (in)	MAX FRAME HEIGHT (in)	MAX DESIGN PRESSURE (PSF)	OPERATION
COGD GLS IZ4	229	220	173-3/8	+ 60 / -60	VERTICAL SLIDING
Max Area Cannot Be Exceeded, Reference Florida Product Approvals For Actual Design Pressure					

Section Details Glass Garage Door



Section Details Glass Garage Door



Section Details Glass Garage Door

