

ULTIMATE DOUBLE HUNG/SINGLE HUNG DISC LA PRE 6/29/15
ULTIMATE DOUBLE HUNG/SINGLE HUNG INSERT DISC LA PRE 8/27/18

Table of Contents

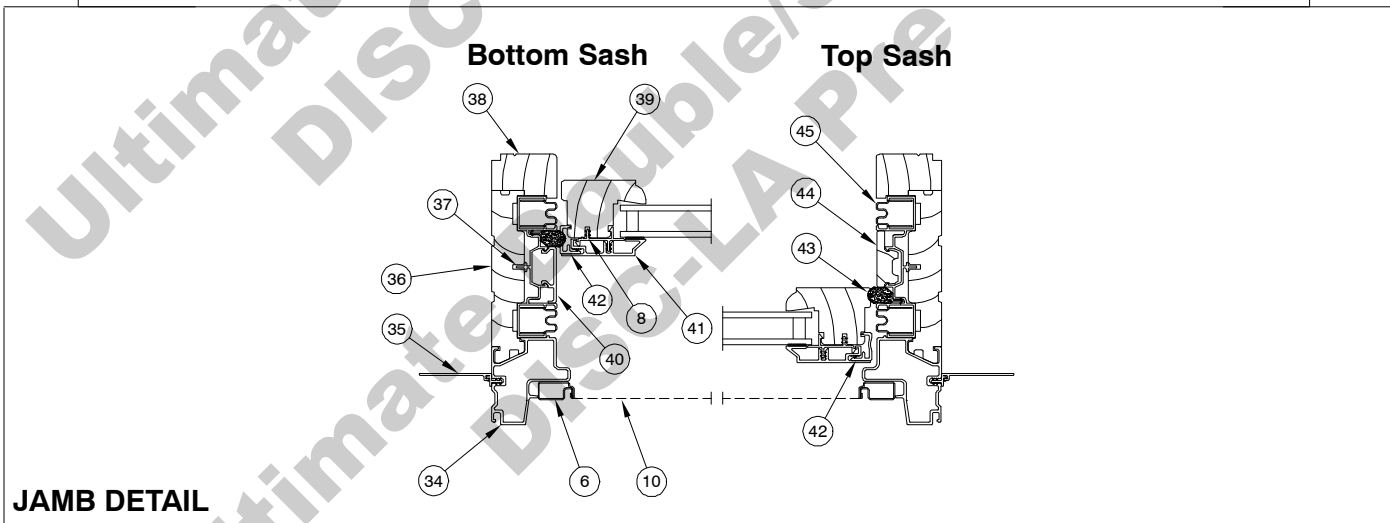
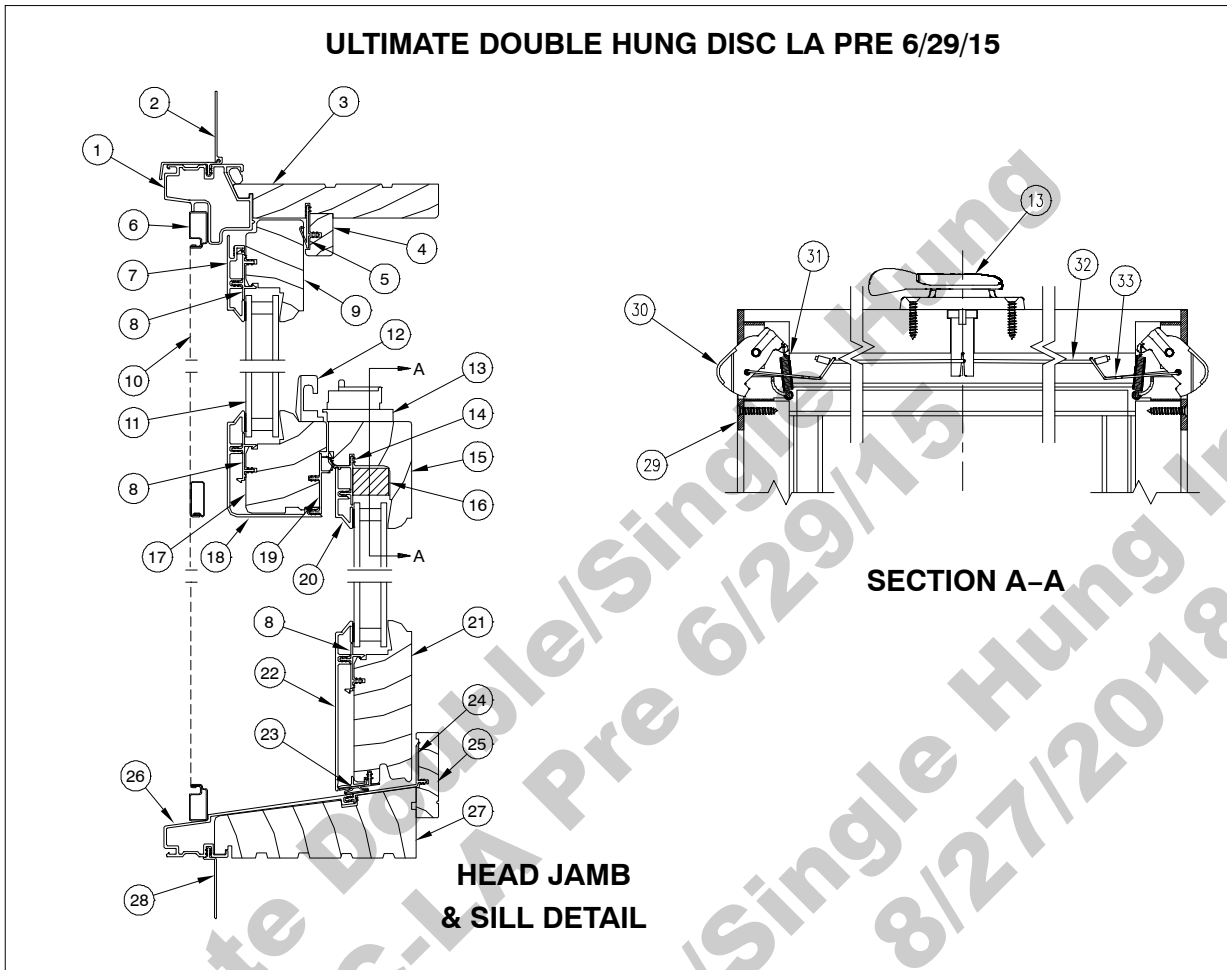
| | PAGE |
|--|-------------|
| History – Ultimate Double Hung | 2 |
| History – Ultimate Insert Double Hung | 3 |
| Ultimate Double Hung/Single Hung DISC LA PRE 6/29/15 | |
| Part Identification – Ultimate Double Hung DISC LA PRE 6/29/15 | 4 |
| Part Identification – Ultimate Single Hung DISC LA PRE 6/29/15 | 5 |
| Part Identification – Ultimate Double Hung DISC LA PRE 6/29/15 (Transom) | 6 |
| Part Identification – Ultimate Double Hung DISC LA PRE 6/29/15 (Picture) | 7 |
| Ultimate Double Hung Insert DISC LA PRE 8/27/18 | |
| Part Identification – Ultimate Double/Single Hung Insert DISC LA PRE 8/27/18 | 8 |
| Part Identification – Ultimate Double Hung Insert DISC LA PRE 8/27/18 (Picture) | 9 |
| Part Identification – Ultimate Double Hung Insert DISC LA PRE 8/27/18 (Transom) | 10 |
| Hardware Parts | 11 |
| Hardware Parts – Ultimate Double Hung/Single Hung Insert DISC LA PRE 8/27/18 | 16 |
| Balances | 17 |
| Jamb Carriers | 19 |
| Jamb Carrier Hardware Assemblies | 20 |
| Balances and Jamb Carrier Hardware Assemblies – Insert Units DISC LA PRE 8/27/18 | 22 |
| Wood Parts – Ultimate Double Hung/Single Hung DISC LA PRE 6/29/15 | 23 |
| Wood Parts – Ultimate Double Hung/Single Hung Insert DISC LA PRE 8/27/18 | 24 |
| Aluminum Parts | 25 |
| Vinyl Parts | 26 |
| Weather Strip | 27 |
| Sash Replacement | 28 |
| Screens | 29 |
| Aluminum Screens – Full and Half Screen | 30 |
| Aluminum Screen Parts | 31 |
| Extruded Aluminum Screens | 32 |
| Extruded Aluminum Screen Parts | 33 |
| Combinations | 34 |
| Discontinued Parts (NA) – No Longer Available | 35 |
| Discontinued Aluminum Parts (NA) – No Longer Available | 36 |
| Discontinued Wood Parts (NA) – No Longer Available | 37 |
| Discontinued Weather Strip (NA) – No Longer Available | 38 |
| Discontinued Mulling/Panning Kits and Parts (NA) – No Longer Available | 39 |

ATTENTION:

- Specification and technical data are subject to change without notice.
- Numbers listed in parentheses () are metric equivalents in millimeters rounded to the nearest whole number.

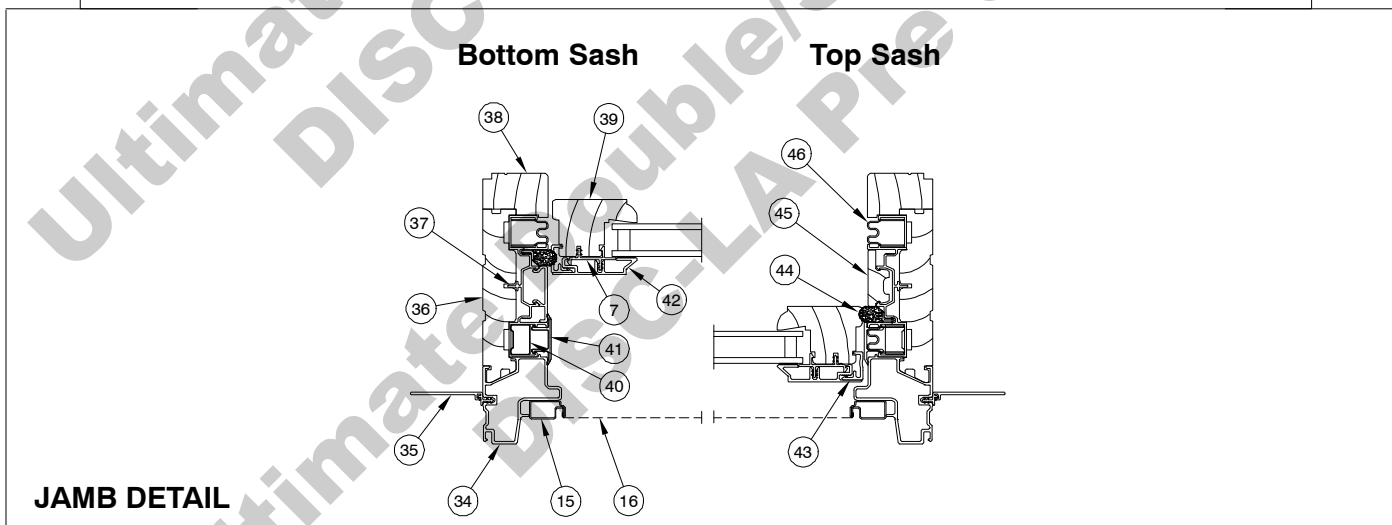
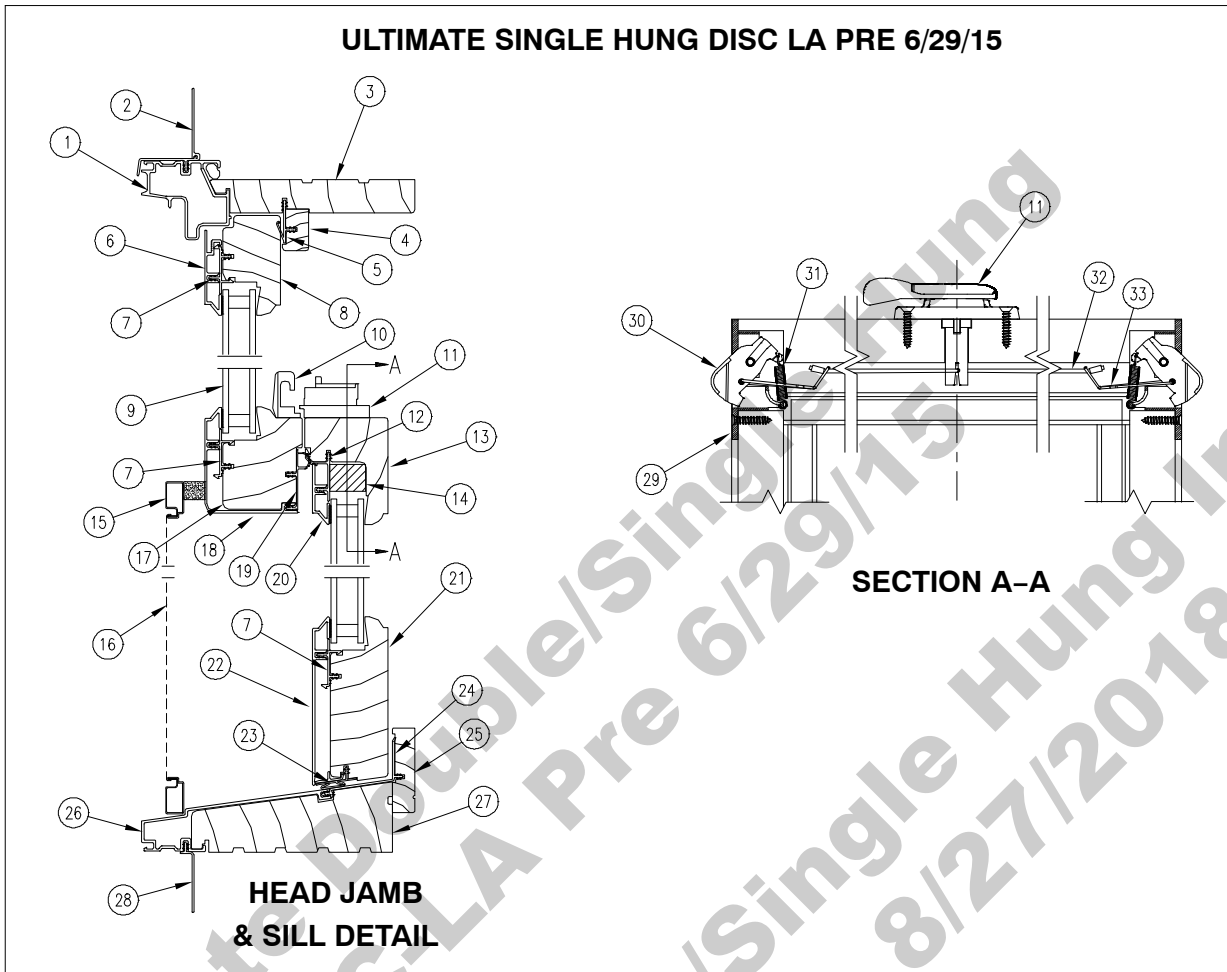
| Produced | Unit Type | Features or Changes |
|----------|---|---|
| 1998 | Ultimate Double Hung/Single Hung DISC LA PRE 6/29/15 | 12/98–1/99: Introduced (regionally to complement above) featuring tilt latch system operated at center sash lock on bottom operating sash. (DH/SH) Top operating sash released at top rail by two tilt latches. (DH) Glass and rough opening sizes remained the same. (DH/SH) Insulating glass overall thickness reduced from .75" to .70" on DH/SH units, 1" overall IG thickness standard on picture and transom units. Sash cladding one piece on exterior (no glazing stops), wood interior joined to cladding utilizing vinyl sash clips. Transom sash aligned vertically with DH/SH top sash. Picture sash aligned vertically with DH/SH bottom sash. Daylight openings align in mulled configurations. |
| 2001 | Ultimate Double Hung/Single Hung DISC LA PRE 6/29/15 | 4/16/01: Redesigned the combination |
| 2002 | Ultimate Double Hung/Single Hung DISC LA PRE 6/29/15 | 3/02: Stone White becomes standard color. Arctic White transitions to select color. |
| 2003 | Ultimate Double Hung/Single Hung DISC LA PRE 6/29/15 | 3/31/03: Satin Taupe (TP) hardware replaces bronze as standard. |
| 2004 | Ultimate Double Hung/Single Hung DISC LA PRE 6/29/15 | 1/04: Added Oil Rubbed Bronze and Satin Chrome to available hardware finishes |
| 2004 | Ultimate Double Hung/Single Hung DISC LA PRE 6/29/15 | 3/01/04: Changed Transom sash to use the same or similar parts as an operator. Glazing went from 1" to .700". Customers will have to specify if they need a replacement sash that was built prior to 03/2004. |
| 2004 | Ultimate Double Hung/Single Hung DISC LA PRE 6/29/15 | 6/14/04: Satin Nickel hardware introduced as a standard option. Polished Chrome hardware discontinued. |
| 2005 | Ultimate Double Hung/Single Hung DISC LA PRE 6/29/15 | 6/05: Extended top rail profile to head jamb and changed to a recessed tilt latch. |
| 2006 | Ultimate Double Hung/Single Hung DISC LA PRE 6/29/15 | 3/23/06: Both WUDH and WUDHM now use same jamb blind stop (W8950). CUDH now uses CUDHM sill (W8849). |
| 2007 | Ultimate Double Hung/Single Hung DISC LA PRE 6/29/15 | 10/22/2007: Created new balance tube hanger. S-hooks are no longer used. |
| 2008 | Ultimate Double Hung/Single Hung DISC LA PRE 6/29/15 | 6/02/2008: Introduced charcoal colored high transparency screen mesh (CH HI-TRAN) as an option on all window and door products (including combinations). |
| 2008 | Ultimate Double Hung/Single Hung DISC LA PRE 6/29/15 | 7/28/2008: Mixed grain Douglas fir is now a standard option. |
| 2009 | Ultimate Double Hung/Single Hung DISC LA PRE 6/29/15 | 3/23/2009: Added LoE ³ -366™ as a standard option for all products. Added Cedro Macho as a standard option for all Ultimate products. |
| 2011 | Ultimate Double Hung/Single Hung DISC LA PRE 6/29/15 | 04/25/2011: Added LoE-180™ as a standard option for all products. White painted interior finish option introduced for all products. |
| 2012 | Ultimate Double Hung/Single Hung DISC LA PRE 6/29/15 | 02–27–2012: Introduced taller sizes CN40 and 42 to the product line. Introduced the option magnum screen. 10/29/2012 Interior Square Sticking/Glazing Bead option introduced. |
| 2012 | Ultimate Double Hung/Single Hung DISC LA PRE 6/29/15 | 12–17–2012: Introduced Clear interior finish option on all products. |
| 2013 | Ultimate Double Hung/Single Hung DISC LA PRE 6/29/15 | 04/29/2013: Introduced interior stain options. Stain colors are Wheat, Honey, Leather, Hazelnut, Cabernet and Espresso. |
| 2015 | Ultimate Double Hung/Single Hung DISC LA PRE 6/29/15 | 04/27/2015 and 06/29/2015: Discontinued the sale of the Ultimate Double Hung. Moved to DISC LA PRE 6/29/15 status. |
| 2017 | Ultimate Double Hung/Single Hung DISC LA PRE 6/29/15 | 10/30/2017: Discontinued EP colors with exception of Stone White and Bronze |
| 2020 | Ultimate Double Hung/Single Hung DISC LA PRE 6/29/15 | 6/29/2020: Ultimate Double Hung/Single Hung Disc LA PRE 6/29/2015 full units and replacement frames moved to Discontinued–Not Available (Disc–NA) status. See Product Bulletin 761 for more information. |
| 2022 | Ultimate Double Hung/Single Hung DISC LA PRE 6/29/15 | 6/27/2022: Updated Screen section for current screen mesh, plungers and use of Aluminum Screen and Extruded Aluminum Screen. |

| Produced | Unit Type | Features or Changes |
|----------|---|---|
| 2001 | Ultimate Double Hung/Single Hung Insert DISC LA PRE 8/27/18 | 11/01: Extruded Aluminum frame and sash are designed to be installed into a pre-existing window frame. Same sash tracking/operating system as the full frame. |
| 2001 | Ultimate Double Hung/Single Hung Insert DISC LA PRE 8/27/18 (Picture) | 11/01: Extruded Aluminum frame and 1" glazing picture sash are designed to be installed into a pre-existing window frame. |
| 2001 | Ultimate Double Hung/Single Hung Insert DISC LA PRE 8/27/18 (Transom) | 11/01: Extruded Aluminum frame and sash are designed to be installed into a pre-existing opening. |
| 2001 | Ultimate Double Hung/Single Hung Insert DISC LA PRE 8/27/18 | 11/01: Horizontal and vertical factory mulling available. Also available as field mulling kits. |
| 2001 | Ultimate Double Hung/Single Hung Insert DISC LA PRE 8/27/18 | 11/01: 2-piece extruded aluminum panning kits available in BMC and flat casing profiles. |
| 2002 | Ultimate Double Hung/Single Hung Insert DISC LA PRE 8/27/18 | 3/02: Stone White becomes standard color. Arctic White transitions to select color. |
| 2003 | Ultimate Double Hung/Single Hung Insert DISC LA PRE 8/27/18 | 4/03: Satin Taupe (TP) replaces Bronze as standard hardware color. |
| 2017 | Ultimate Double Hung/Single Hung Insert DISC LA PRE 8/27/18 | 10/30/2017: Discontinued Ep colors with exception of Stone White and Bronze |
| 2018 | Ultimate Double Hung/Single Hung Insert DISC LA PRE 8/27/18 | 8/27/2018: Discontinued the sale of Ultimate Double Hung/Single Hung Insert products. Moved to DISC LA PRE 8/27/18 status. |
| 2020 | Ultimate Double Hung/Single Hung Insert DISC LA PRE 8/27/18 | 6/29/2020: Ultimate Double Hung/Single Hung Insert Disc LA PRE 8/27/2018 full units and replacement frames moved to Discontinued-Not Available (Disc-NA) status. See Product Bulletin 760 for more information. |
| 2022 | Ultimate Double Hung/Single Hung Insert DISC LA PRE 8/27/18 | 6/27/2022: Updated Screen section for current screen mesh, plungers and use of Aluminum Screen and Extruded Aluminum Screen. |



NOTE: Not to scale; specifications subject to change without notice.

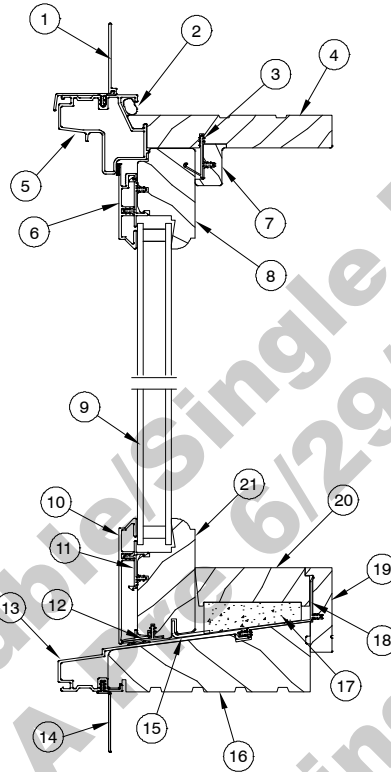
- | | | | | |
|-------------------------------------|---|--|------------------------------|--|
| 1. Head Jamb Cladding | 12. Sash Keeper | 19. Top Check Rail Weather Strip, V920 | 30. Locking Blade | 41. Stile Cladding |
| 2. Head Jamb Nailing Fin/Drip Cap | 13. Sash Lock | 20. Bottom Check Rail Cladding | 31. Extension Spring | 42. Contact Strip, V943 |
| 3. Head Jamb | 14. Bottom Check Rail Cladding Connector, V929 | 21. Bottom Rail | 32. Operation Chord | 43. Frame Weather Strip, (replace with V03291) |
| 4. Parting Stop, W2530 | 15. Bottom Check Rail Subassembly (See Section A-A) | 22. Bottom Rail Cladding | 33. Pull Yoke | 44. Wood Jamb Filler, W2018 |
| 5. Parting Stop Weather Strip, V945 | 16. Bottom Check Rail | 23. Bottom Rail Weather Strip, V937 | 34. Jamb Cladding | 45. Sash Balance Tube |
| 6. Screen Frame | 17. Top Check Rail | 24. Sill Cover, V931 | 35. Side Jamb Nailing Fin | |
| 7. Top Rail Cladding | 18. Top Check Rail Cladding | 25. Sill Liner, W2531 | 36. Side Jamb | |
| 8. Sash Cladding Connector | | 26. Sill Cladding | 37. Vinyl Jamb Carrier, V100 | |
| 9. Top Rail | | 27. Sill | 38. Jamb Liner, W2533 | |
| 10. Screen Mesh | | 28. Sill Nailing Fin | 39. Stile | |
| 11. Insulating Glass | | 29. End plate | 40. Clad Jamb Filler, A197 | |



NOTE: Not to scale; specifications subject to change without notice.

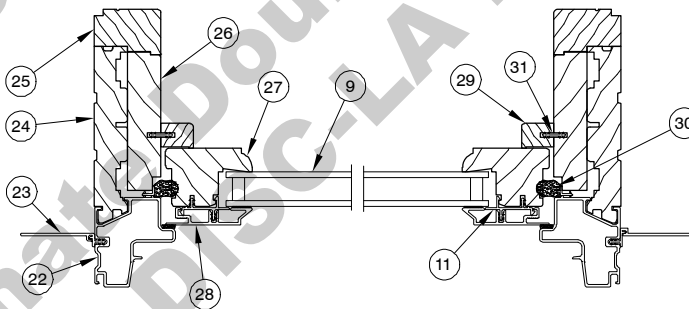
- | | | | | |
|-------------------------------------|---|--|------------------------------|---|
| 1. Head Jamb Cladding | 12. Bottom Check Rail Cladding Connector, V929 | 19. Top Check Rail Weather Strip, V920 | 30. Locking Blade | 41. Sash Filler |
| 2. Head Jamb Nailing Fin/Drip Cap | 13. Bottom Check Rail | 20. Bottom Check Rail Cladding | 31. Extension Spring | 42. Stile Cladding |
| 3. Head Jamb | 14. Bottom Check Rail Subassembly (See Section A-A) | 21. Bottom Rail | 32. Operation Chord | 43. Contact Strip, V943 |
| 4. Parting Stop, W2530 | 15. Screen Frame | 22. Bottom Rail Cladding | 33. Pull Yoke | 44. Frame Weather Strip (replace with V03291) |
| 5. Parting Stop Weather Strip, V945 | 16. Screen Mesh | 23. Bottom Rail Weather Strip, V937 | 34. Jamb Cladding | 45. Wood Jamb Filler, W2018 |
| 6. Top Rail Cladding | 17. Top Check Rail | 24. Sill Cover, V931 | 35. Side Jamb Nailing Fin | 46. Sash Balance Tube |
| 7. Sash Cladding Connector | 18. Top Check Rail Cladding | 25. Sill Liner, W2531 | 36. Side Jamb | |
| 8. Top Rail | | 26. Sill Cladding | 37. Vinyl Jamb Carrier, V100 | |
| 9. Insulating Glass | | 27. Sill | 38. Jamb Liner, W2533 | |
| 10. Sash Keeper | | 28. Sill Nailing Fin | 39. Stile | |
| 11. Sash Lock | | 29. End Plate | 40. Sash Stop | |

ULTIMATE DOUBLE HUNG DISC LA PRE 6/29/15 (TRANSOM)



**HEAD JAMB
& SILL DETAIL**

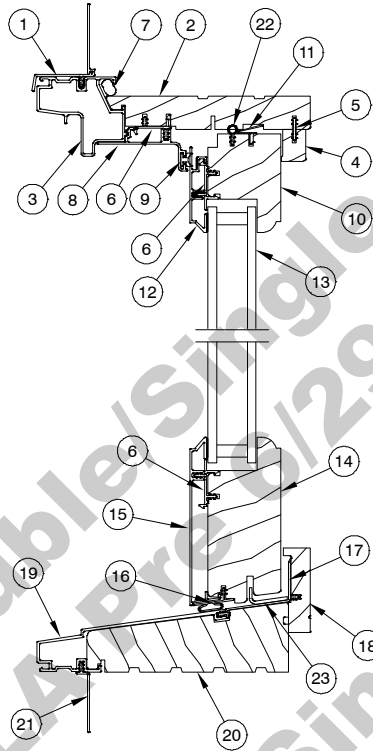
JAMB DETAIL



NOTE: Not to scale; specifications subject to change without notice.

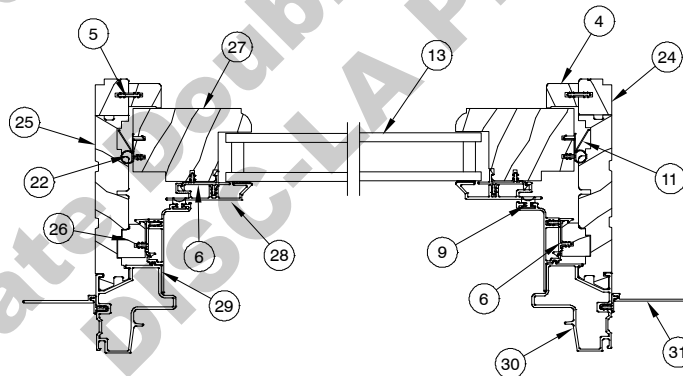
- | | | |
|--|-------------------------------------|---|
| 1. Head Jamb Nailing Fin/Drip Cap | 12. Bottom Rail Weather Strip, V937 | 22. Jamb Cladding |
| 2. 3/8" Foam Backer Rod | 13. Sill Cladding | 23. Jamb Nailing Fin |
| 3. Head Jamb Part Stop Weather Strip, V945 | 14. Sill Nailing Fin | 24. Jamb |
| 4. Head Jamb | 15. Sill Bracket | 25. Interior Jamb Liner, W2533 |
| 5. Head Jamb Cladding | 16. Sill | 26. Jamb Filler, W8080 |
| 6. Top Rail Cladding | 17. Foam Sill Filler | 27. Stile |
| 7. Head Jamb Part Stop, W8969 | 18. Sill Cover, V931 | 28. Stile Cladding |
| 8. Top Rail | 19. Sill Liner, W8589 | 29. Interior Sash Stop, W3111 |
| 9. Insulated Glass | 20. Sill Filler, W8591 | 30. Weather Strip (replace with V03291) |
| 10. Bottom Rail Cladding | 21. Bottom Rail | 31. Connecting Barb |
| 11. Sash Cladding Connector | | |

ULTIMATE DOUBLE HUNG DISC LA PRE 6/29/15 (PICTURE)



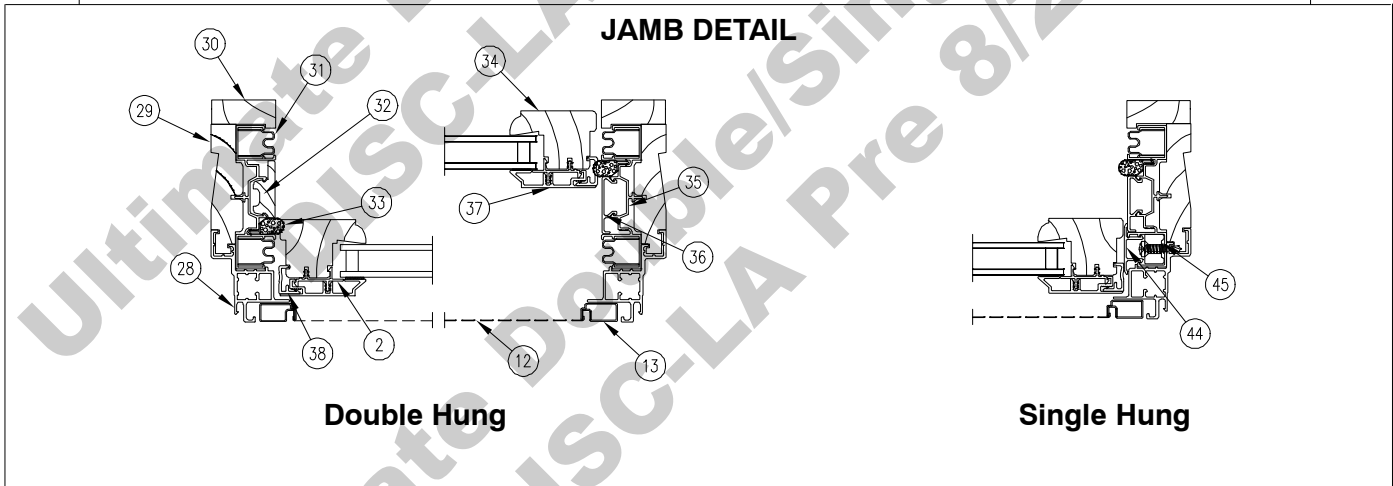
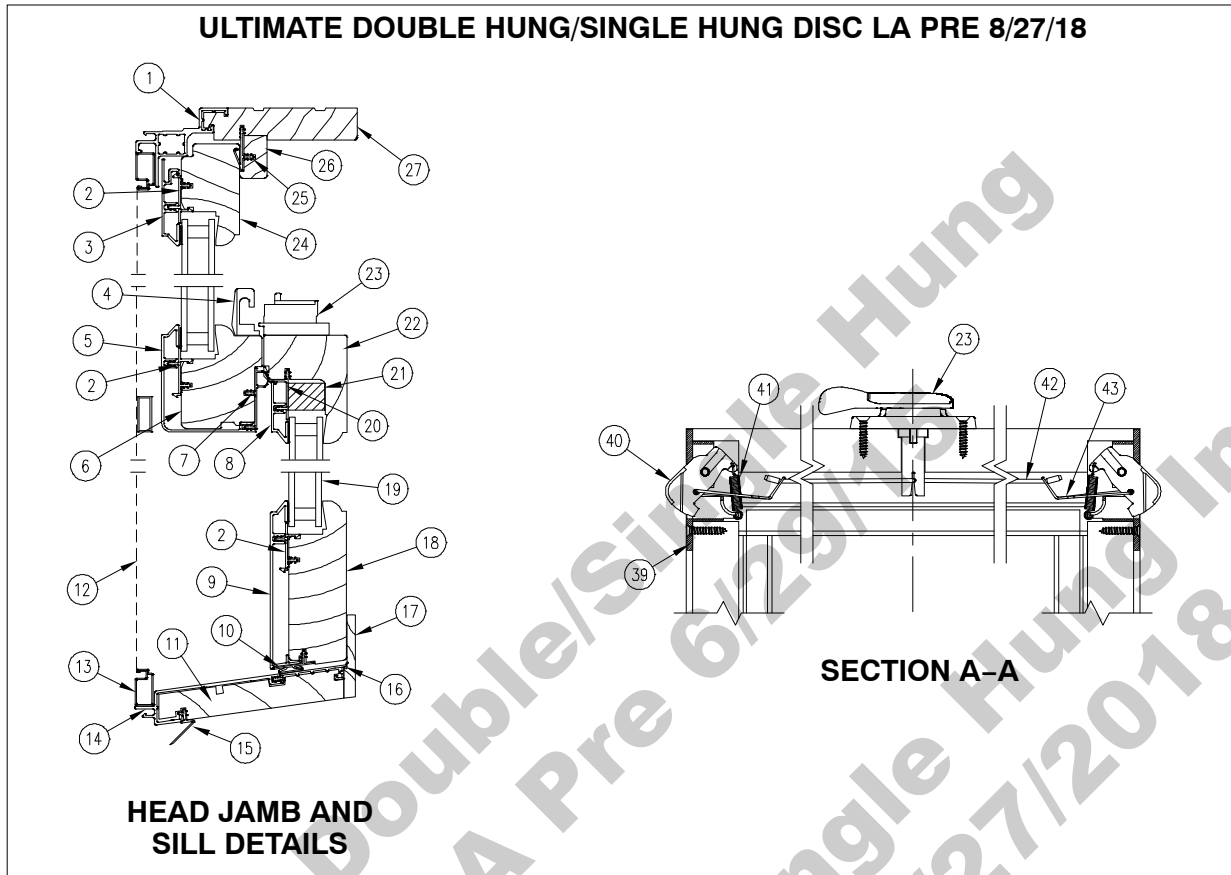
**HEAD JAMB
& SILL DETAIL**

JAMB DETAIL



NOTE: Not to scale; specifications subject to change without notice.

- | | | |
|-----------------------------------|-------------------------------------|--------------------------|
| 1. Head Jamb Nailing Fin/Drip Cap | 12. Top Rail Cladding | 23. Sill Bracket |
| 2. Head Jamb | 13. Insulating Glass | 24. Jamb Liner, W2025 |
| 3. Head Jamb Cladding | 14. Bottom Rail | 25. Jamb |
| 4. Interior Sash Stop, W3111 | 15. Bottom Rail Cladding | 26. Jamb Block, W2023 |
| 5. Connecting Barb | 16. Bottom Rail Weather Strip, V937 | 27. Stile |
| 6. Sash Cladding Connector | 17. Sill Cover, V931 | 28. Stile Cladding |
| 7. Foam Backer Rod | 18. Sill Liner, W8589 | 29. Jamb Filler Cladding |
| 8. Head Jamb Filler Cladding | 19. Sill Cladding | 30. Jamb Cladding |
| 9. Filler Weather Strip, V196 | 20. Sill | 31. Jamb Nailing Fin |
| 10. Top Rail | 21. Sill Nailing Fin | |
| 11. Vinyl Retainer, V130 | 22. Sash Weather Strip, V1297 | |

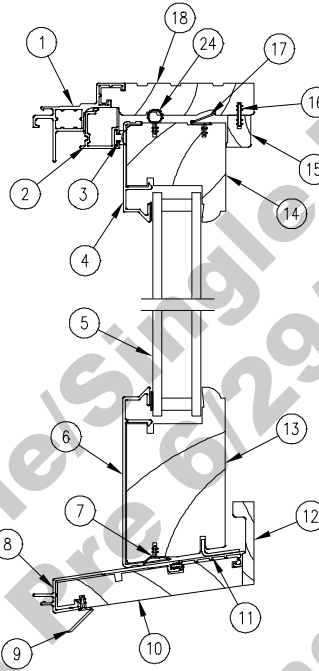


NOTE: Not to scale; specifications subject to change without notice.

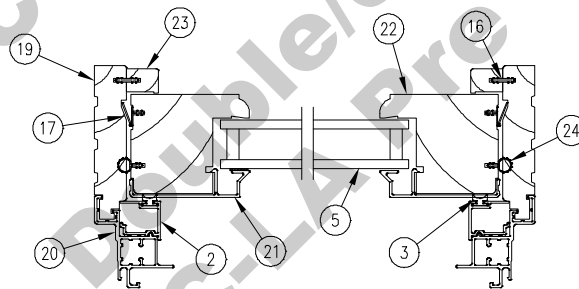
- | | | | | |
|---------------------------------|--|---|------------------------|----------------------|
| 1. Head Jamb Cladding | 11. Sill | 21. Bottom Check Rail Subassembly (see sect. A-A) | 30. Jamb Liner | 40. Locking Blade |
| 2. Sash Cladding Connector | 12. Screen Mesh | 22. Bottom Check Rail | 31. Sash Balance Tube | 41. Extension Spring |
| 3. Top Rail Cladding | 13. Screen Frame | 23. Sash Lock | 32. Wood Jamb Filler | 42. Operation Cord |
| 4. Sash Keeper | 14. Sill Cladding | 24. Top Rail | 33. Frame Weatherstrip | 43. Pull Yoke |
| 5. Top Check Rail Cladding | 15. Sill Fin | 25. Parting Stop Weatherstrip | 34. Stile | 44. Sash Cover |
| 6. Top Check Rail | 16. Sill Thermal Break | 26. Parting Stop | 35. Vinyl Jamb Carrier | 45. Sash Stop |
| 7. Top Check Rail Weather Strip | 17. Sill Liner | 27. Head Jamb | 36. Jamb Cover | |
| 8. Bottom Check Rail Cladding | 18. Bottom Rail | 28. Jamb Cladding | 37. Stile Cladding | |
| 9. Bottom Rail Cladding | 19. Insulating Glass | 29. Side Jamb | 38. Contact Strip | |
| 10. Bottom Rail Weatherstrip | 20. Bottom Check Rail Cladding Connector | | 39. Endplate | |

ULTIMATE DOUBLE HUNG INSERT DISC LA PRE 8/27/18 (PICTURE)

HEAD JAMB AND SILL DETAILS



JAMB DETAIL

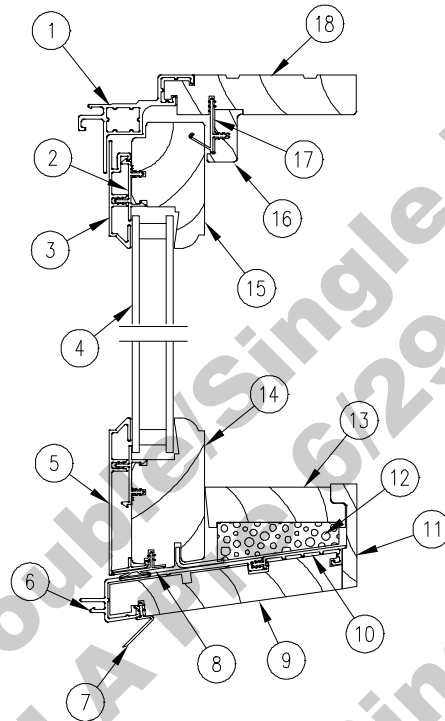


NOTE: Not to scale; specifications subject to change without notice.

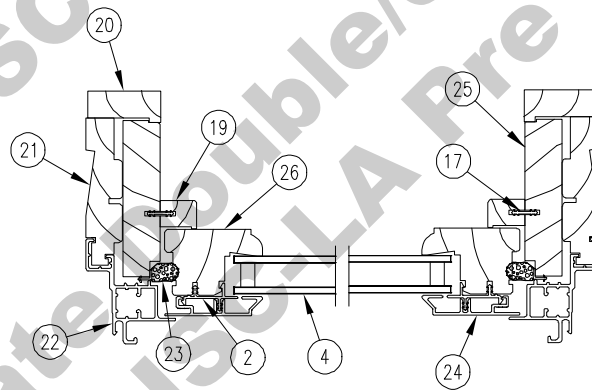
- | | | |
|-----------------------------|---------------------------|-------------------------|
| 1. Head Jamb Cladding | 9. Sill Fin | 17. Vinyl Retainer |
| 2. Exterior Stop | 10. Sill | 18. Head Jamb |
| 3. Filler Weatherstrip | 11. Sill Thermal Break | 19. Jamb |
| 4. Top Rail Cladding | 12. Sill Liner | 20. Jamb Cladding |
| 5. Insulating Glass | 13. Bottom Rail | 21. Stile Cladding |
| 6. Bottom Rail Cladding | 14. Top Rail | 22. Stile |
| 7. Bottom Rail Weatherstrip | 15. Interior Sash Stop | 23. Interior Sash Stop |
| 8. Sill Cladding | 16. Vinyl Connecting Barb | 24. Frame Weather Strip |

ULTIMATE DOUBLE HUNG INSERT DISC LA PRE 8/27/18 (TRANSOM)

HEAD JAMB AND SILL DETAILS



JAMB DETAIL

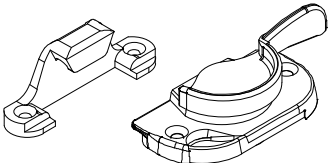
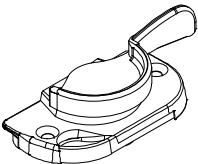
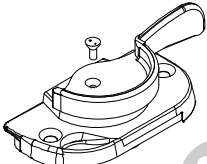

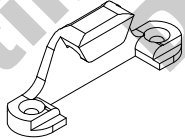
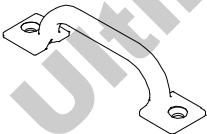


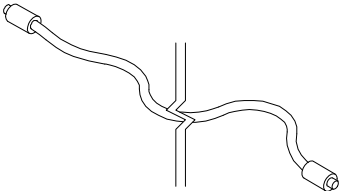
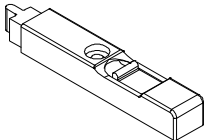
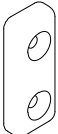
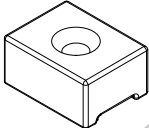
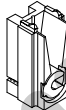
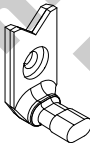
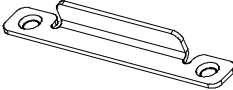
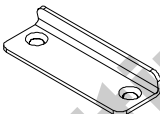
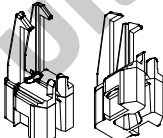
NOTE: Not to scale; specifications subject to change without notice.

- | | | |
|------------------------------|---------------------------|-------------------------|
| 1. Head Jamb Cladding | 10. Sill Thermal Break | 19. Interior Sash Stop |
| 2. Sash Cladding Connector | 11. Sill Liner | 20. Interior Jamb Liner |
| 3. Top Rail Cladding | 12. Foam Sill Filler | 21. Jamb |
| 4. Insulating Glass | 13. Wood Sill Filler | 22. Jamb Cladding |
| 5. Bottom Rail Cladding | 14. Bottom Rail | 23. Frame Weather Strip |
| 6. Sill Cladding | 15. Top Rail | 24. Sash Cladding |
| 7. Sill Fin | 16. Head Jamb Partstop | 25. Jamb Filler |
| 8. Bottom Rail Weather Strip | 17. Vinyl Connecting Barb | 26. Stile |
| 9. Sill | 18. Head Jamb | |

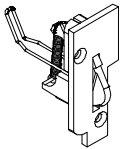
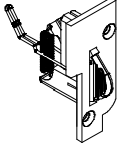
When ordering replacement parts specify:

1. original order number;
2. type of unit;
3. part number;
4. description.

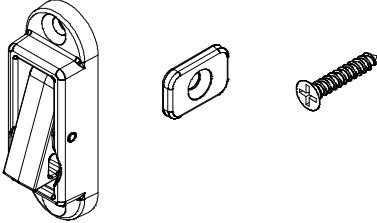
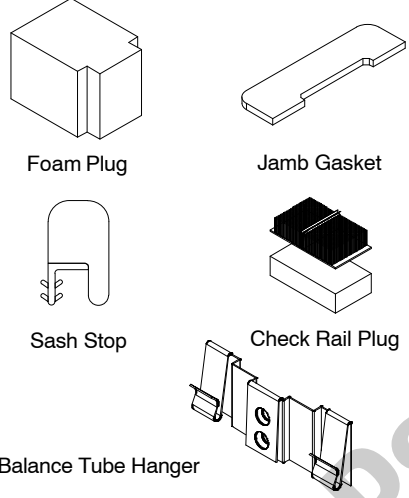
| ILLUSTRATION NOT TO SCALE | DESCRIPTION | OPER./COLOR | PART NO. |
|---|---|--|--|
|  | <p>Sash Lock and Keeper, Complete <i>Includes:</i> 1 - Sash lock 1 - Keeper 4 - #7x7/8" Phillips flathead wood screws</p> | Satin Taupe Bronze White | 11869288 11869287 11869286 |
|  | <p>Sash Lock <i>Includes:</i> 1 - Sash lock 2 - #7x7/8" Phillips flathead wood screws</p> | Satin Taupe Bronze White Brass Antique Brass Satin Chrome Satin Nickel Oil Rubbed Bronze Polished Chrome | 10500669 10500668 10500662 10500783 10500789 10500784 10500788 10500787 10500785 |
|  | <p>Custodial Sash Lock <i>Includes:</i> 1 - Sash lock 2 - #7x7/8" Phillips flathead wood screws 1 - Tamper resistant screw</p> | Satin Taupe Bronze White | 10500544 10500545 10500546 |
|  | <p>Tool Bit - Tampered Resistant Screw</p> | | 10500543 |
|  | <p>Keeper <i>Includes:</i> 1 - Keeper 2 - #7x7/8" Phillips flathead wood screws</p> | Satin Taupe Bronze White Brass Antique Brass Satin Chrome Satin Nickel Oil Rubbed Bronze Polished Chrome | 10500676 10500674 10500670 10500793 10500799 10500794 10500798 10500797 10500795 |
|  | <p>Sash Lift <i>Includes:</i> 1 - Sash lift 2 - #8 x 1" slotted oval head sheet metal screws</p> | Satin Taupe Bronze White Brass Antique Brass Satin Chrome Satin Nickel Oil Rubbed Bronze Polished Chrome | 10500598 10500557 10500556 10500558 10500597 10500596 10500602 10500601 10500595 |

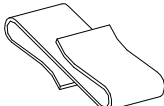
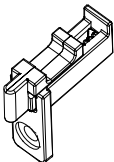
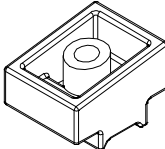
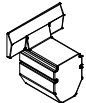
| ILLUSTRATION NOT TO SCALE | DESCRIPTION | COLOR | PART NO. |
|---|---|-----------------------------------|---|
|  | <p>Multi-Point Tilt Latch Operation Cord <i>Measure overall length for special sizes call Marvin to order</i></p> <p>CN16 CN20 CN24 CN26 CN28 CN30 CN32 CN36 CN40</p> | | <p>10500616 10500620 10500624 10500626 10500628 10500630 10500632 10500636 10500640</p> |
|  | <p>Top Sash Tilt Latch Assembly <i>Ultimate usage 1999 until May, 7, 2005</i> <i>Includes:</i> 1 - Tilt latch assembly 1 - #7x1 1/4" Phillips flathead wood screws</p> | <p>Beige</p> | <p>10500555</p> |
|  | <p>Sash Limiter <i>Includes:</i> 1 - Sash limiter 2 - #7 x 3/4" Phillips stainless steel screws</p> | <p>Beige</p> | <p>10500515</p> |
|  | <p>Sash Stop, Vinyl <i>Includes:</i> 1 - Sash Stop 1 - #8X1" Phillips flathead wood screw</p> | <p>Beige</p> | <p>10500525</p> |
|  | <p>Clutch Assembly</p> | | <p>10500551</p> |
|  | <p>Clutch Pivot <i>Includes:</i> 1 - Clutch pivot 1 - #7x1 1/4" Phillips trimhead self tapping screw</p> | | <p>10500550</p> |
|  | <p>Sill Bracket <i>Includes fasteners:</i> 2 - #7x3/4" Phillips flathead SS screws (Beige- 11800763) (White-11800764)</p> | <p>Beige White</p> | <p>11841103 11841104</p> |
|  | <p>Sill Bracket <i>Includes:</i> 1 - Sill bracket 2 - #7 x 7/8" Flathead stainless steel screws</p> | | <p>10500526</p> |
|  | <p>Balance Tube Shock Pad Assembly</p> | | <p>11860279</p> |

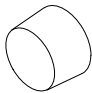
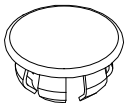

NOTE: Reference the End Plate Assembly chart to pair the correct replacement assembly with size of window.

| ILLUSTRATION | DESCRIPTION | ILLUSTRATION | DESCRIPTION |
|---|--|---|--|
|  <p>LH Shown</p> | <p>A. Ultimate Tilt Latch End Plate Assembly – Beige</p> <p><i>Includes fasteners: 2 – #6x5/8" Phillips flathead wood screws</i></p> <p>LH 10500571 RH 10500570</p> |  <p>RH Shown</p> | <p>B. Ultimate Tilt Latch End Plate Assembly – Black Over Mold</p> <p><i>Includes fasteners: 1 – #6x1 1/2" Phillips flathead screw Beige 11806136 1 – #6x5/8" Phillips flathead screw 11800519</i></p> <p>LH 10500950 RH 10500951</p> |

| CN | Ultimate Frame Size | 16 | 20 | 24 | 26 | 28 | 30 | 32 | 36 | 40 |
|----|---------------------|--------|--------|--------|--------|--------|--------|--------|--------|--------|
| | | 21 3/8 | 25 3/8 | 29 3/8 | 31 3/8 | 33 3/8 | 35 3/8 | 37 3/8 | 41 3/8 | 45 3/8 |
| 12 | 32 3/8 | A | A | A | A | A | A | A | A | A |
| 14 | 36 3/8 | A | A | A | A | A | A | A | A | A |
| 16 | 40 3/8 | A | A | A | A | A | A | A | A | A |
| 18 | 44 3/8 | A | A | A | A | A | A | A | A | A |
| 20 | 48 3/8 | A | A | A | A | A | A | A | A | A |
| 22 | 52 3/8 | A | A | A | A | A | A | A | A | A |
| 24 | 56 3/8 | A | A | A | A | A | A | A | A | A |
| 26 | 60 3/8 | A | A | A | A | A | A | A | A | A |
| 28 | 64 3/8 | A | A | A | A | A | A | B | B | B |
| 30 | 68 3/8 | A | A | A | A | A | A | B | B | B |
| 32 | 72 3/8 | A | A | A | A | A | A | B | B | B |
| 34 | 76 3/8 | A | A | A | A | A | A | B | B | B |
| 36 | 80 3/8 | A | A | A | A | A | A | B | B | B |
| - | 84 3/8 | B | B | B | B | B | B | B | B | |
| 40 | 88 3/8 | B | B | B | B | B | B | B | B | |
| 42 | 92 3/8 | B | B | B | B | B | B | B | B | |
| - | 96 3/8 | B | B | B | B | B | B | B | B | |

| ILLUSTRATION NOT TO SCALE | DESCRIPTION | COLOR | PART NO. |
|---|---|---|---|
|  | <p>Window Opening Control Device Kit Also used for Insert</p> <p><i>Includes:</i> 2 - Control Devices 2 - Strike Plates 6 - Color Match Screws, #7 x 7/8"</p> | <p>White Bronze Brass Satin Chrome Polished Chrome Antique Brass Satin Taupe Oil Rubbed Bronze Satin Nickel</p> | <p>11850640 11850641 11850642 11850643 11850644 11850645 11850646 11850647 11850648</p> |
|  <p>Foam Plug</p> <p>Jamb Gasket</p> <p>Sash Stop</p> <p>Check Rail Plug</p> <p>Balance Tube Hanger</p> | <p>Replacement Jamb Carrier Package</p> <p><i>Includes:</i> 2 - Foam Plug, Interior Jamb Carrier Track (10500504)* 2 - Foam Gasket Jamb Carrier (10500510)* 2 - Sash Stop V784 (used on bottom sash) (10500524 Beige, 10500523 White) 2 - Check rail plug & Pile weather strip (10500508 Beige, 10500509 White) 2 - Balance Tube Hanger (11860044) 2 - #7 x 7/8" A-17 FH screws (11800727) 1 - Instruction</p> <p>*Foam Plug available in white only. Foam Gasket available in beige only.</p> | <p>Beige White</p> | <p>11850125 11850124</p> |

| ILLUSTRATION NOT TO SCALE | DESCRIPTION | COLOR | PART NO. |
|---|--|----------------|----------------------|
|  | Balance Tube S-Hook, Short, 1/4" (6) Wide | | 11870710 |
|  | Balance Tube S-Hook Heavy Duty, Short, 3/8" (10) Wide | | 11870711 |
|  | Top Sash Tilt Latch Assembly <i>NOTE: Usage dates: May, 7, 2005 – present</i> <i>Includes:</i> 1 – Tilt latch assembly 1 – #7x1 1/4" Phillips panhead wood screws, 11807141 | Beige | 10500561 |
|  | Sill End Plug <i>Includes:</i> 1 – Sill End Plug 1 – #8 x 1 1/2" flat head stainless steel screw, 11881129 | | 10500536 |
|  | Mulling Plug <i>Includes:</i> 1 – Mulling Plug 2 – #8 x 1 1/2" flat head stainless steel screw, 11881129 | | 10500537 |
|  | Chimney Block For EU Products only | White Beige | 10500331 10500330 |

| ILLUSTRATION <i>NOT TO SCALE</i> | DESCRIPTION | COLOR | PART NO. |
|---|---|--|--|
|  | 3/8" Flat Head Plug – Insert Units, Interior Operator | See Miscellaneous Mouldings and Extrusions chapter for available part numbers. | |
|  | Jamb Hole Plug – Insert Units Painted Brass <i>Type is dependent upon exterior finish</i> | Wineberry Hampton Sage Cascade Blue Cadet Gray Coconut Cream Bright Silver Liberty Bronze Clay Suede Gunmetal | 11882870 11882890 11882888 11882886 11882884 11882880 11882860 11882866 11882864 11882862 |
|  | Jamb Hole Plug – Insert Units <i>Type is dependent upon exterior finish</i> | Stone White Bronze Pebble Bahama Brown/Copper Evergreen Black (Ebony) Cashmere Sierra | 11882868 11882668 11882568 11882468 11882768 11882168 11882269 356868 |

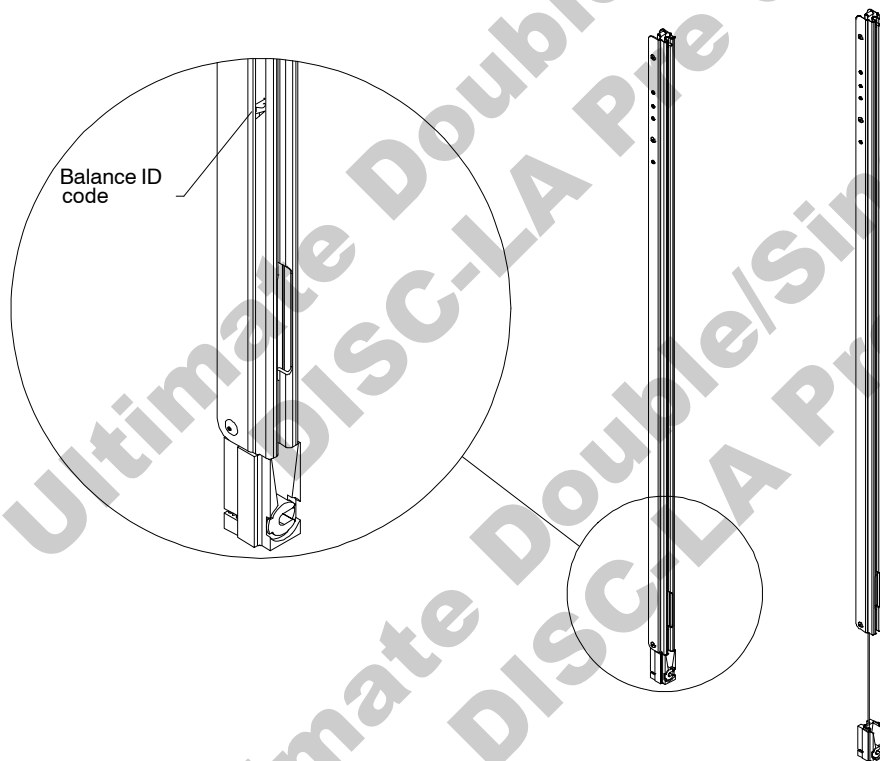
BALANCE TUBES FOR FULL FRAME UNITS MANUFACTURED AFTER 12/15/98

Balance tubes for standard units may be ordered by part number. To determine the part number, locate the ID code from the existing tube (see illustration below) and use the chart on the next page.

Balance tubes for special sized units or insert units are not available by part number.

When ordering balance tubes for special sized units, please provide **ALL** the following information:

1. Provide the original order number when possible
2. Provide glass height or tube assembly overall.
3. Provide balance ID code. The ID code is imprinted on the tube (see illustration).
NOTE: If the balance is oversized, a balance ID will not be available. In this case, provide the glass width, height, and makeup.
4. Specify top or bottom sash.
NOTE: The balance for the top sash is in the exterior track and has a mill finish color. The balance for the bottom sash is in the interior track and has a beige or white color.
5. If the tube is for the bottom sash, specify color (Beige or White).
6. Specify quantity. Do **NOT** specify as pairs or sets. If one tube is needed, specify:quantity 1. If four tubes are needed, specify:quantity 4.



Part numbers listed below are for one balance only. Each sash requires two balances.

| Mill Balance Tube Part Numbers for the Top Sash | | | | | | | | | | | | | |
|--|----------|--------------------|----------|--------------------|----------|--------------------|----------|--------------------|----------|--------------------|----------|--------------------|----------|
| Spring Weight AA | | Spring Weight A | | Spring Weight B | | Spring Weight C | | Spring Weight D | | Spring Weight E | | Spring Weight F | |
| CN | Part # | CN | Part # | CN | Part # | CN | Part # | CN | Part # | CN | Part # | CN | Part # |
| 12 | 10696612 | 12 | 10695012 | 12 | 10695112 | 12 | 10695212 | 12 | 10695312 | - | - | - | - |
| 14 | 10696614 | 14 | 10695014 | 14 | 10695114 | 14 | 10695214 | 14 | 10695314 | 14 | 10695414 | - | - |
| 16 | 10696616 | 16 | 10695016 | 16 | 10695116 | 16 | 10695216 | 16 | 10695316 | 16 | 10695416 | - | - |
| 18 | 10696618 | 18 | 10695018 | 18 | 10695118 | 18 | 10695218 | 18 | 10695318 | 18 | 10695418 | - | - |
| 20 | 10696620 | 20 | 10695020 | 20 | 10695120 | 20 | 10695220 | 20 | 10695320 | 20 | 10695420 | - | - |
| 22 | 10696622 | 22 | 10695022 | 22 | 10695122 | 22 | 10695222 | 22 | 10695322 | 22 | 10695422 | 22 | 10695522 |
| 24 | 10696624 | 24 | 10695024 | 24 | 10695124 | 24 | 10695224 | 24 | 10695324 | 24 | 10695424 | 24 | 10695524 |
| 26 | 10696626 | 26 | 10695026 | 26 | 10695126 | 26 | 10695226 | 26 | 10695326 | 26 | 10695426 | 26 | 10695526 |
| 28 | 10696628 | 28 | 10695028 | 28 | 10695128 | 28 | 10695228 | 28 | 10695328 | 28 | 10695428 | 28 | 10695528 |
| 30 | 10696630 | 30 | 10695030 | 30 | 10695130 | 30 | 10695230 | 30 | 10695330 | 30 | 10695430 | 30 | 10695530 |
| 32 | 10696632 | 32 | 10695032 | 32 | 10695132 | 32 | 10695232 | 32 | 10695332 | 32 | 10695432 | 32 | 10695532 |
| 34 | 10696634 | 34 | 10695034 | 34 | 10695134 | 34 | 10695234 | 34 | 10695334 | 34 | 10695434 | 34 | 10695534 |
| 36 | 10696636 | 36 | 10695036 | 36 | 10695136 | 36 | 10695236 | 36 | 10695336 | 36 | 10695436 | 36 | 10695536 |

| Beige Balance Tube Part Numbers for the Bottom Sash | | | | | | | | | | | | | |
|--|----------|--------------------|----------|--------------------|----------|--------------------|----------|--------------------|----------|--------------------|----------|--------------------|----------|
| Spring Weight AA | | Spring Weight A | | Spring Weight B | | Spring Weight C | | Spring Weight D | | Spring Weight E | | Spring Weight F | |
| CN | Part # | CN | Part # | CN | Part # | CN | Part # | CN | Part # | CN | Part # | CN | Part # |
| 12 | 10696712 | 12 | 10696012 | 12 | 10696112 | 12 | 10696212 | 12 | 10696312 | - | - | - | - |
| 14 | 10696714 | 14 | 10696014 | 14 | 10696114 | 14 | 10696214 | 14 | 10696314 | 14 | 10696414 | - | - |
| 16 | 10696716 | 16 | 10696016 | 16 | 10696116 | 16 | 10696216 | 16 | 10696316 | 16 | 10696416 | - | - |
| 18 | 10696718 | 18 | 10696018 | 18 | 10696118 | 18 | 10696218 | 18 | 10696318 | 18 | 10696418 | - | - |
| 20 | 10696720 | 20 | 10696020 | 20 | 10696120 | 20 | 10696220 | 20 | 10696320 | 20 | 10696420 | - | - |
| 22 | 10696722 | 22 | 10696022 | 22 | 10696122 | 22 | 10696222 | 22 | 10696322 | 22 | 10696422 | 22 | 10696522 |
| 24 | 10696724 | 24 | 10696024 | 24 | 10696124 | 24 | 10696224 | 24 | 10696324 | 24 | 10696424 | 24 | 10696524 |
| 26 | 10696726 | 26 | 10696026 | 26 | 10696126 | 26 | 10696226 | 26 | 10696326 | 26 | 10696426 | 26 | 10696526 |
| 28 | 10696728 | 28 | 10696028 | 28 | 10696128 | 28 | 10696228 | 28 | 10696328 | 28 | 10696428 | 28 | 10696528 |
| 30 | 10696730 | 30 | 10696030 | 30 | 10696130 | 30 | 10696230 | 30 | 10696330 | 30 | 10696430 | 30 | 10696530 |
| 32 | 10696732 | 32 | 10696032 | 32 | 10696132 | 32 | 10696232 | 32 | 10696332 | 32 | 10696432 | 32 | 10696532 |
| 34 | 10696734 | 34 | 10696034 | 34 | 10696134 | 34 | 10696234 | 34 | 10696334 | 34 | 10696434 | 34 | 10696534 |
| 36 | 10696736 | 36 | 10696036 | 36 | 10696136 | 36 | 10696236 | 36 | 10696336 | 36 | 10696436 | 36 | 10696536 |

| White Balance Tube Part Numbers for the Bottom Sash | | | | | | | | | | | | | |
|--|----------|--------------------|----------|--------------------|----------|--------------------|----------|--------------------|----------|--------------------|----------|--------------------|----------|
| Spring Weight AA | | Spring Weight A | | Spring Weight B | | Spring Weight C | | Spring Weight D | | Spring Weight E | | Spring Weight F | |
| CN | Part # | CN | Part # | CN | Part # | CN | Part # | CN | Part # | CN | Part # | CN | Part # |
| 12 | 10686712 | 12 | 10686012 | 12 | 10686112 | 12 | 10686212 | 12 | 10686312 | - | - | - | - |
| 14 | 10686714 | 14 | 10686014 | 14 | 10686114 | 14 | 10686214 | 14 | 10686314 | 14 | 10686414 | - | - |
| 16 | 10686716 | 16 | 10686016 | 16 | 10686116 | 16 | 10686216 | 16 | 10686316 | 16 | 10686416 | - | - |
| 18 | 10686718 | 18 | 10686018 | 18 | 10686118 | 18 | 10686218 | 18 | 10686318 | 18 | 10686418 | - | - |
| 20 | 10686720 | 20 | 10686020 | 20 | 10686120 | 20 | 10686220 | 20 | 10686320 | 20 | 10686420 | - | - |
| 22 | 10686722 | 22 | 10686022 | 22 | 10686122 | 22 | 10686222 | 22 | 10686322 | 22 | 10686422 | 22 | 10686522 |
| 24 | 10686724 | 24 | 10686024 | 24 | 10686124 | 24 | 10686224 | 24 | 10686324 | 24 | 10686424 | 24 | 10686524 |
| 26 | 10686726 | 26 | 10686026 | 26 | 10686126 | 26 | 10686226 | 26 | 10686326 | 26 | 10686426 | 26 | 10686526 |
| 28 | 10686728 | 28 | 10686028 | 28 | 10686128 | 28 | 10686228 | 28 | 10686328 | 28 | 10686428 | 28 | 10686528 |
| 30 | 10686730 | 30 | 10686030 | 30 | 10686130 | 30 | 10686230 | 30 | 10686330 | 30 | 10686430 | 30 | 10686530 |
| 32 | 10686732 | 32 | 10686032 | 32 | 10686132 | 32 | 10686232 | 32 | 10686332 | 32 | 10686432 | 32 | 10686532 |
| 34 | 10686734 | 34 | 10686034 | 34 | 10686134 | 34 | 10686234 | 34 | 10686334 | 34 | 10686434 | 34 | 10686534 |
| 36 | 10686736 | 36 | 10686036 | 36 | 10686136 | 36 | 10686236 | 36 | 10686336 | 36 | 10686436 | 36 | 10686536 |

JAMB CARRIERS FOR UNITS MANUFACTURED AFTER 12/15/98

Replacement jamb carriers include a pair of vinyl jamb carriers, jamb weather strip, foam plugs, top gaskets, pile weather strip and sash stops.

Jamb carriers for standard units may be ordered by part number from the chart below.

When ordering jamb carriers for special sized units, please provide the following information:

1. Provide original order number, when available.
2. Provide length (see Dimension A as shown)
3. Provide color (Beige or White).
4. If unequal glass heights, provide both glass heights.

NOTE: Jamb carriers must be ordered in pairs.

| Glass Height (one sash) | Beige Part Number | White Part Number |
|----------------------------|----------------------|----------------------|
| 12" pair | 10697012 | 10696912 |
| 14" pair | 10697014 | 10696914 |
| 16" pair | 10697016 | 10696916 |
| 18" pair | 10697018 | 10696918 |
| 20" pair | 10697020 | 10696920 |
| 22" pair | 10697022 | 10696922 |
| 24" pair | 10697024 | 10696924 |
| 24/36" pair | 10697060 | 10696960 |
| 26" pair | 10697026 | 10696926 |
| 28" pair | 10697028 | 10696928 |
| 30" pair | 10697030 | 10696930 |
| 32" pair | 10697032 | 10696932 |
| 34" pair | 10697034 | 10696934 |
| 36" pair | 10697036 | 10696936 |

FOR FULL FRAME UNITS MANUFACTURED AFTER 12/15/98

NOTE: Balance tube hangers replaced S-hooks in February, 2008.

Replacement Jamb Carrier Hardware Assemblies Complete include a pair of vinyl jamb carriers, jamb weather strip, pile weather strip, foam plugs, top gaskets, sash stops, balance tube hangers and balance tubes.

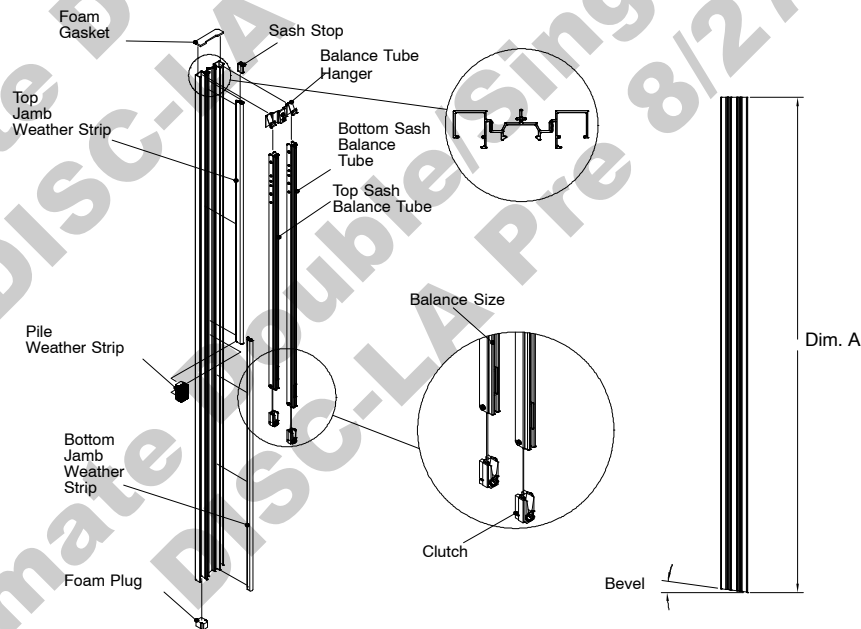
Assemblies for standard units may be ordered by part number from the chart on the next page. .

NOTE: Jamb carrier hardware assemblies must be ordered in pairs.

When ordering jamb carrier hardware assemblies complete for special units, include the following information:

1. Original order number, if available
2. Provide length (see dimension A as shown) or rough opening height.
3. If unequal glass heights, provide both heights.
4. Provide balance ID code (s)*. The ID code is imprinted on the tube (see illustration)
5. Provide jamb carrier hardware color (Beige or White)

* If the balances are over sized, a balance ID will not be available. In this case, provide the glass width, height and makeup



| Ultimate Double Hung Jamb Carrier Hardware Assemblies | | | | | | |
|---|-----------------|-----------------|-----------------|-----------------|-----------------|-----------------|
| CN Height | Spring Weight A | Spring Weight B | Spring Weight C | Spring Weight D | Spring Weight E | Spring Weight F |
| 12 pair Beige | 10535012 | 10535112 | 10535212 | 10535312 | | |
| 14 pair Beige | 10535014 | 10535114 | 10535214 | 10535314 | 10535414 | |
| 16 pair Beige | 10535016 | 10535116 | 10535216 | 10535316 | 10535416 | |
| 18 pair Beige | 10535018 | 10535118 | 10535218 | 10535318 | 10535418 | |
| 20 pair Beige | 10535020 | 10535120 | 10535220 | 10535320 | 10535420 | |
| 22 pair Beige | 10535022 | 10535122 | 10535222 | 10535322 | 10535422 | 10535522 |
| 24 pair Beige | 10535024 | 10535124 | 10535224 | 10535324 | 10535424 | 10535524 |
| 24/36 pair Beige | 10535060 | 10535160 | 10535260 | 10535360 | 10535460 | 10535560 |
| 26 pair Beige | 10535026 | 10535126 | 10535226 | 10535326 | 10535426 | 10535526 |
| 28 pair Beige | 10535028 | 10535128 | 10535228 | 10535328 | 10535428 | 10535528 |
| 30 pair Beige | 10535030 | 10535130 | 10535230 | 10535330 | 10535430 | 10535530 |
| 32 pair Beige | 10535032 | 10535132 | 10535232 | 10535332 | 10535432 | 10535532 |
| 34 pair Beige | 10535034 | 10535134 | 10535234 | 10535334 | 10535434 | 10535534 |
| 36 pair Beige | 10535036 | 10535136 | 10535236 | 10535336 | 10535436 | 10535536 |
| 12 pair White | 10534012 | 10534112 | 10534212 | 10534312 | | |
| 14 pair White | 10534014 | 10534114 | 10534214 | 10534314 | 10534414 | |
| 16 pair White | 10534016 | 10534116 | 10534216 | 10534316 | 10534416 | |
| 18 pair White | 10534018 | 10534118 | 10534218 | 10534318 | 10534418 | |
| 20 pair White | 10534020 | 10534120 | 10534220 | 10534320 | 10534420 | |
| 22 pair White | 10534022 | 10534122 | 10534222 | 10534322 | 10534422 | 10534522 |
| 24 pair White | 10534024 | 10534124 | 10534224 | 10534324 | 10534424 | 10534524 |
| 24/36 pair White | 10534060 | 10534160 | 10534260 | 10534360 | 10534460 | 10534560 |
| 26 pair White | 10534026 | 10534126 | 10534226 | 10534326 | 10534426 | 10534526 |
| 28 pair White | 10534028 | 10534128 | 10534228 | 10534328 | 10534428 | 10534528 |
| 30 pair White | 10534030 | 10534130 | 10534230 | 10534330 | 10534430 | 10534530 |
| 32 pair White | 10534032 | 10534132 | 10534232 | 10534332 | 10534432 | 10534532 |
| 34 pair White | 10534034 | 10534134 | 10534234 | 10534334 | 10534434 | 10534534 |
| 36 pair White | 10534036 | 10534136 | 10534236 | 10534336 | 10534436 | 10534536 |

Ultimate Double Hung Disc LA Pre 8/21/20

FOR INSERT UNITS

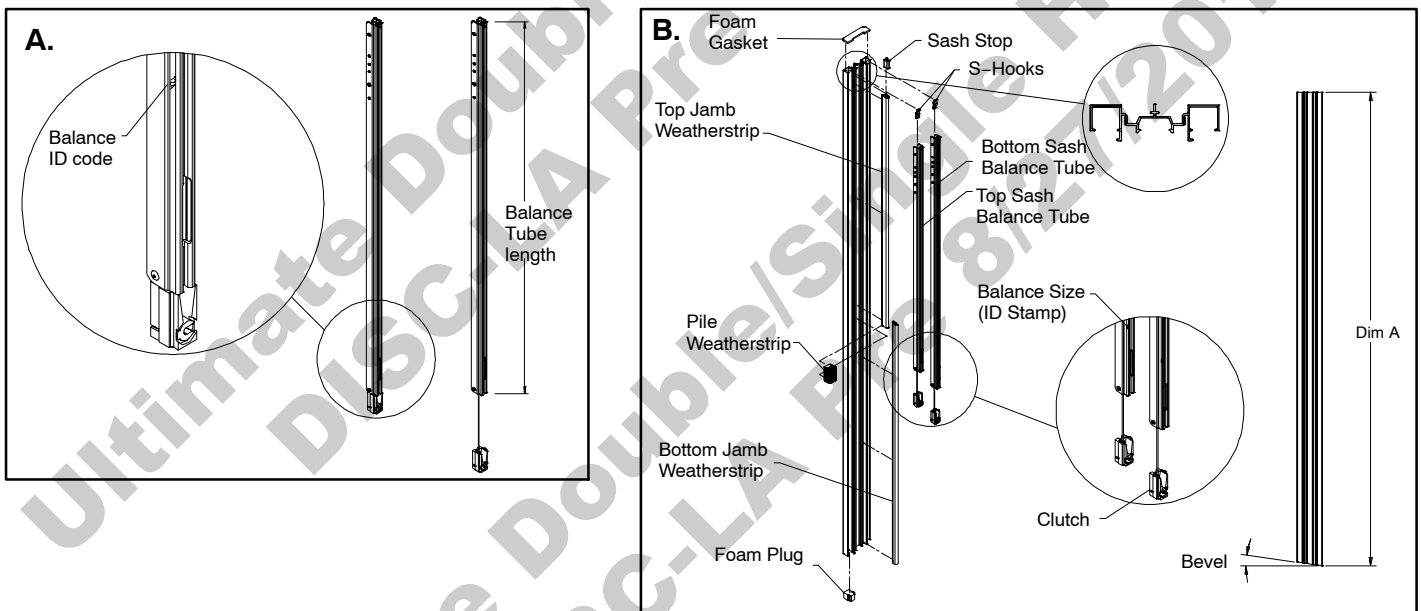
Balance Tubes or Jamb Carrier Hardware Assemblies for insert units are not available by part number.

To order replacement balances specify:

1. Original order number.
2. Balance tube length
3. Balance ID code; information is imprinted on tube, (see illustration A below).
4. Top or bottom sash. Balance in *exterior* track has a mill finish tube for top sash, balance in *interior* track has a beige color tube for bottom sash.

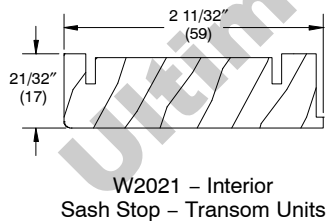
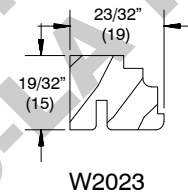
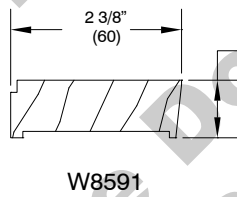
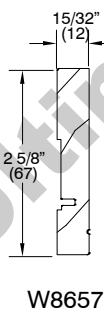
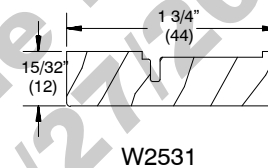
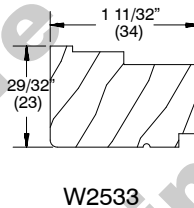
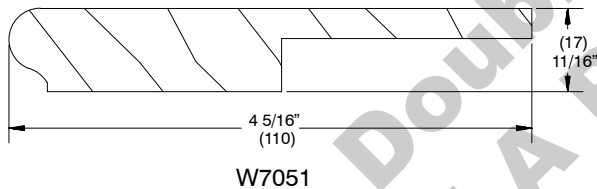
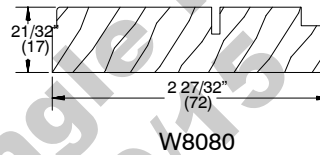
To order replacement Jamb Carrier Hardware Assemblies specify:

1. Original order number.
2. Length(dimension A from illustration B)
3. Glass height and width of one sash (daylight opening + 1 1/16"). Measure both sash if they are not of equal size.
4. Tube ID stamp for top and bottom sash balance spring weights. (see illustration B for location of ID.)



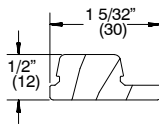
REPLACEMENT WOOD PARTS – ULTIMATE DOUBLE HUNG/SINGLE HUNG DISC LA PRE 6/29/15

| | |
|---|-------|
| Wood Jamb Filler Operator – longest length available is 60" | W2018 |
| Head Jamb Parting Stop– longest length available is 60" | W2530 |
| Jamb Filler – Transom | W8080 |
| Stool Field Applied | W7051 |
| Jamb Liner | W2533 |
| Sill Liner | W2531 |
| Sill Liner – Transom/Picture | W8657 |
| Sill Filler – Transom | W8591 |
| Jamb Block Picture Unit | W2023 |
| Interior Sash Stop – Transom | W2021 |
| Interior Side Sash Stop – Picture/Transom | W3111 |

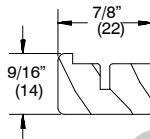


ULTIMATE DOUBLE HUNG/SINGLE HUNG INSERT DISC LA PRE 8/27/18

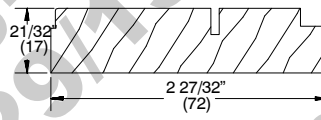
| | |
|---|-------|
| Wood Jamb Filler Operator – longest length available is 60" | W2018 |
| Head Jamb Parting Stop– longest length available is 60" | W2530 |
| Jamb Filler – Transom | W8080 |



W2018



W2530



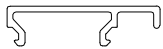
W8080

Ultimate Double/Single Hung
 DISC-LA Pre 6/20/15
 Ultimate Double/Single Hung Insert
 DISC-LA Pre 8/27/2018

When ordering replacement parts specify:

1. Original order number
2. profile number;
3. call number or rough opening;
4. length;
5. handing (if applicable)
6. color.

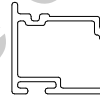
| Aluminum | Ultimate | Ultimate Insert |
|---|----------|-----------------|
| Jamb Filler Operator | A197 | A197 |
| Jamb Liner – Single Hung | A216 | A216 |
| Exterior Stop – Picture (Header and Jamb) | | A1006 |
| Clad Filler – Picture (Header and Jamb) | A199 | |



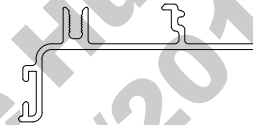
A197



A216




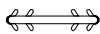
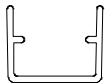
A1006

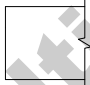
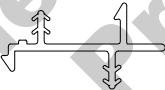
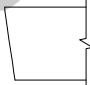
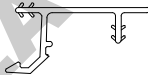



A199

When ordering replacement parts specify:

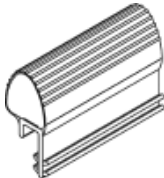

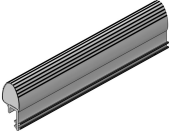
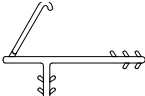
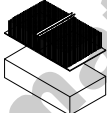
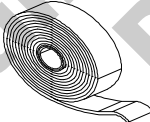
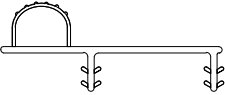
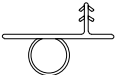


1. Original order number;
2. profile number or part number;
3. call number or rough opening;
4. length;
5. color.

| ILLUSTRATION NOT TO SCALE | DESCRIPTION | COLOR | PART NO. |
|--|---|----------------------------------|--|
|  | Sill Cover V931 100" (2540) 100" (2540) 120" (3048) 120" (3048) | Beige White Beige White | 15350599 15351999 15350598 15350198 |
|  | Sash Retainer – Picture and Transom V130–100" (2540) | | 15350099 |
|  | Connecting Barb – Picture and Transom V803 – specify length per lineal foot | | 15812999 |
|  | Top Sash Stop V1172, 8" | Beige Stone White | 16211008 16210908 |

| ILLUSTRATION | DESCRIPTION | ILLUSTRATION | DESCRIPTION |
|--|---|---|--|
| <p>Top Sash end cut</p>  | Contact Strip V943 |  | Clad Sash Connector Clad Bottom Sash Check Rail Connector |
| <p>Bottom Sash end cut</p>  | |  | |
|  <p>V1007</p> | Sill Fin For 8–14 degree sill bevel only | | |

When ordering replacement weather strip specify:

1. Original order number;
2. quantity;
3. part number;
4. description.

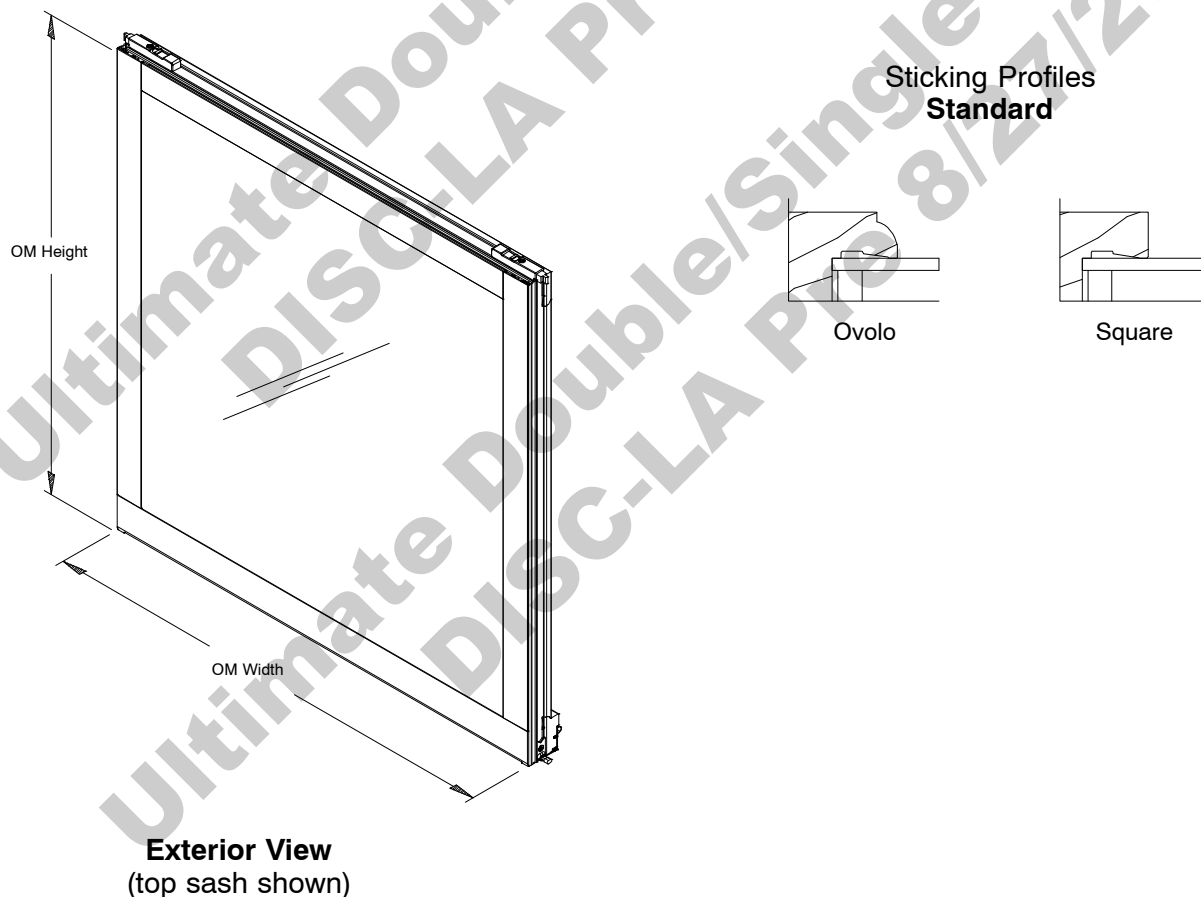
| ILLUSTRATION <i>NOT TO SCALE</i> | DESCRIPTION | COLOR | PART NUMBER |
|---|--|--|----------------------|
|  | Frame Weather Strip V03291 100" (2540) | Beige White | 15353205 15353210 |
|  | Frame Weather Strip V2838 | No longer available, replace with V03291 | |
|  | Frame Weather Strip V3179 100" (2540) | | |
|  | Head Jamb Part Stop Weather Strip V945 70" (1778) | Beige | 15352470 |
|  | Check Rail Plug & Pile Weatherstrip, Insert units 3/4" x 13/16" x 1 1/2" | Beige White | 10500508 10500509 |
|  | Frame Weather Strip - Picture/Transom MISC - 03692 25' Roll | Gray | 11406223 |
|  | Top Check Rail Weather Strip V920 100" (2540) | Beige | 15350399 |
|  | Bottom Rail Weather Strip V937 100" (2540) | Beige | 15350799 |
|  | Filler Weather Strip; Picture Unit V196 Specify Length | Black | No longer available. |
|  | Alternate Weather Strip V147 NOTE: This is an alternate weather strip to replace V1297 that is no longer available. | Beige | 15351699 |

ULTIMATE DOUBLE HUNG AND SINGLE HUNG AND PICTURE OR TRANSOM SASH

NOTE: When ordering a replacement sash for Transom built prior to June 8, 2005, remove backer and order new parting stop.

When ordering replacement sash specify:

1. Original order number;
2. state Pre 3/04 unit for Picture or Transom sash replacement;
3. which sash is being replaced for double/single hung – top, bottom or pair;
4. Size;
 - a. top or bottom (call number or OM of sash);
 - b. pair (call number or sash opening – indicate if unequal sash height);
5. size (Picture or Transom)–(call number or OM of sash);
6. glazing;
7. Exterior color;
8. interior finish;
9. sticking (see illustration);
 - a. ovolo
 - b. square.



SCREENS FOR ULTIMATE DOUBLE HUNG/SINGLE HUNG AND INSERT UNITS

Screens are available with aluminum or wood surround. Standard mesh is Marvin Bright View™. Aluminum mesh is available as an option in black, charcoal, bright aluminum, or bright bronze. Aluminum surrounds are available in Satin Taupe, Bronze, White, Brown and Pebble Gray. Screens feature a plunger type mounting system.

NOTE: The Aluminum Screen will be the standard for units with a frame size height of $\leq 54 \frac{1}{2}$ ", with an option of the Extruded Aluminum Screen available. The standard screen for any unit with a frame size height $> 54 \frac{1}{2}$ " will be the Extruded Aluminum Screen.

Ultimate Double/Single Hung
DISC-LA Pre 6/29/15
Ultimate Double/Single Hung Insert
DISC-LA Pre 8/27/2018

When ordering a replacement screen, specify:

1. size; – If there is no existing screen from which to obtain the OM of the screen, determine the size of the screen by using the conversions below. The daylight opening is the measurement of the visible glass.
2. color;
3. mesh type (if other than standard).

Aluminum Screen - Full Screens

NOTE: Ultimate Double Hung screens ordered 2/27/2012 and later contain weep bumps on the bottom rail. If the existing screen does not contain weep bumps, subtract 1/32" from the height measurement.

Screen Sizes for Ultimate Double Hung Insert

Daylight Opening of one sash to OM of screen (if equal height)

Daylight Width + 4 13/32" (112) = OM Width of Screen
 DLO + DLO + 8 1/2" (216) = OM Height of Screen

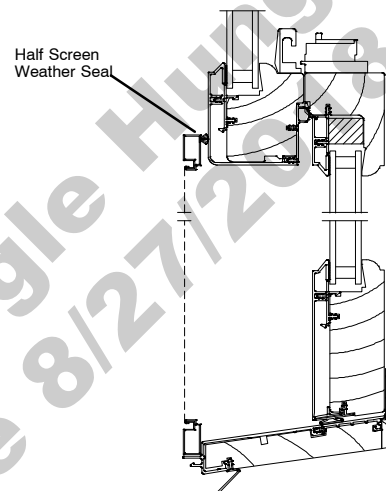
Screen Sizes for Ultimate Double Hung manufactured after 12/15/98.

Daylight Opening of one sash (if equal height) to OM of screen.

Daylight Width + 4 3/8" = OM Width of Screen
 Daylight Height x 2 + 8 5/8" = OM Height of Screen

| WIDTH | | HEIGHT | |
|-------|----------|----------|-----------|
| SIZE | OM-WIDTH | SIZE | OM-HEIGHT |
| CN 16 | 19 5/16" | CN 12 | 30 1/2" |
| CN 20 | 23 5/16" | CN 14 | 34 1/2" |
| CN 24 | 27 5/16" | CN 16 | 38 1/2" |
| CN 26 | 29 5/16" | CN 18 | 42 1/2" |
| CN 28 | 31 5/16" | CN 20 | 46 1/2" |
| CN 30 | 33 5/16" | CN 22 | 50 1/2" |
| CN 32 | 35 5/16" | CN 24 | 54 1/2" |
| CN 36 | 39 5/16" | CN 24/36 | 66 1/2" |
| CN 40 | 43 5/16" | CN 26 | 58 1/2" |
| | | CN 28 | 62 1/2" |
| | | CN 30 | 66 1/2" |
| | | CN 32 | 70 1/2" |
| | | CN 34 | 74 1/2" |
| | | CN 36 | 78 1/2" |

Aluminum Screen - Half Screens Ultimate Single Hung/Single Hung Insert



Ultimate Single Hung Manufactured after 12/15/98

Daylight Opening to OM of Half Screen

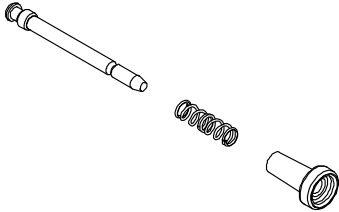
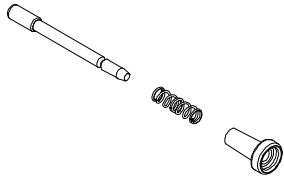
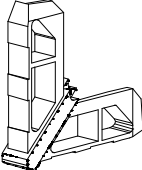
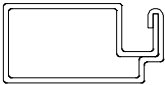


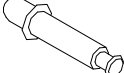
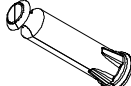
Daylight Width + 4 3/8" = OM Width of Screen
 Daylight Height + 5 1/16" = OM Height of Screen

Ultimate Insert Single Hung Insert

Daylight Opening to OM of Half Screen

Daylight Width + 4 13/32" = OM Width of Screen
 Daylight Height + 5 1/16" = OM Height of Screen

When ordering replacement parts specify part number and quantity.

| ILLUSTRATION NOT TO SCALE | DESCRIPTION | COLOR | PART NO. |
|---|--|---|---------------------|
|  | Screen Plunger Kit <i>Includes:</i> 1 - Plunger Bolt 1 - Plunger Spring 1 - Plunger Cap (Black) | | 11851053 |
|  | Screen Plunger Kit – 3 PC <i>Includes:</i> 1 – Plunger Bolt 1 – Plunger Spring 1 – Plunger Cap (Black) | | No longer available |
|  | Corner Key, Screen MISC 051 | Stone White Bronze Pebble Bahama Brown Clear Evergreen | No longer available |
|  | Screen Surround, Aluminum Profile A135 Available in 150" (3810) length | Stone White Bronze Pebble Bahama Brown Evergreen | No longer available |
|  | Screen Crossbar, Aluminum Profile A131 Available in 144" (3658) length | Stone White Bronze Pebble Bahama Brown Evergreen | No longer available |
|  | 1/2 Screen Foam Liner Available in 84" (2134) length | Black | 10500028 |
|  | Top Rail Screen Pin M120 | Clear | 11867852 |
|  | Bottom Rail Weep Bump Used on UDH 02/27/2012 to 6/29/15 | Black | 11861173 |

When ordering a replacement screen, specify:

1. size; – Obtain the OM of the screen, from the exiting unit or determine the size of the screen by using the conversion charts below The daylight opening is the measurement of the visible glass.
2. surround color;
3. mesh type (if other than standard).

FULL AND HALF SCREEN CONVERSIONS FOR ULTIMATE MAGNUM AND IZ3 UNITS

Extruded Aluminum Screen

Full Screen for Full Frame

DLO of one sash (if equal height) to OM of screen.
 DLO Width + 4 3/8" = OM Width of Screen
 DLO Height x 2 + 8 21/32" = OM Height of Screen

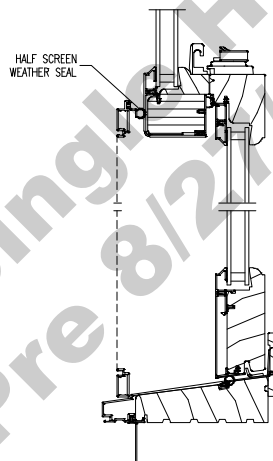
Full Screen for Insert Units

DLO Width + 4 13/32" = OM Width of Screen
 DLO Height x 2 + 8 1/2" = OM Height of Screen
 IO Width – 2 11/32" = OM Width of Screen
 IO Height (Flat Bottom Fr)–1 5/8" or
 (8 and 14 degree)–1 1/16"= OM Height of Screen,

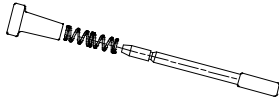
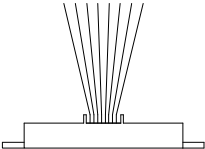
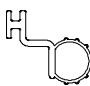
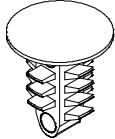
Extruded Aluminum Screen

Half Screen for Full Frame

Daylight Opening to OM of Half Screen
 Daylight Width + 4 3/8" = OM Width of Screen
 Daylight Height + 5 5/16" = OM Height of Screen



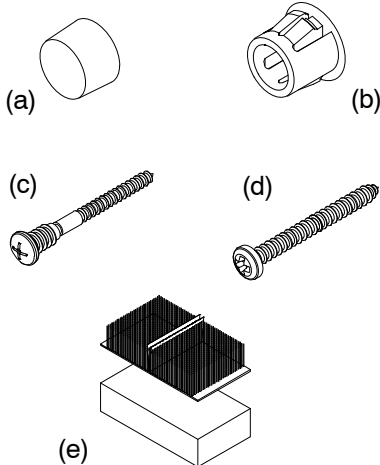
When ordering replacement parts specify quantity and part number.

| ILLUSTRATION NOT TO SCALE | DESCRIPTION | COLOR | PART NO. |
|--|---|-------|----------|
|  | <p>Plunger and Spring Assembly Used 2/2012 to present Includes: 1 - Plunger bolt (metal) 1 - Plunger bolt cap (black) 1 - Plunger bolt spring</p> | Black | 10500706 |
|  | <p>Sash Pile Weather Strip V2173 Specify lineal foot</p> | Gray | 15607501 |
|  | <p>1/2 Screen Weather Strip V2113 Specify lineal foot</p> | Beige | 15361399 |
|  | <p>Weep Bump</p> | Black | 10500095 |

See parts section "Ultimate and Ultimate Wood Window Combinations and Energy Panels" for Combination and Replacement Parts availability.

Ultimate Double/Single Hung
DISC-LA Pre 6/29/15

Ultimate Double/Single Hung Insert
DISC-LA Pre 8/27/2018

| ILLUSTRATION NOT TO SCALE | DESCRIPTION | COLOR | PART NO. |
|---|---|-------|----------------------------|
|  | <p>Installation Pkgs for Operator Insert Units Only <i>Includes:</i> 2 – 3/8" Flathead plugs (interior) (a) 2 – Jamb Plugs (exterior) (b) 2 – 5/16" #10 x 2 1/2" jamb jack screws (c) 4 – #7 x 2" Phillips panhead installation screws (d) 2 – Jamb liner check rail pads (e)</p> <p>Transom 4 – 3/8" Flathead plugs (interior) (a) 4 – #7 x 2" Phillips panhead installation screws (d)</p> <p>Picture 16 – #7 x 2" Phillips panhead installation screws (d)</p> | | <p>No longer available</p> |

| ILLUSTRATION NOT TO SCALE | DESCRIPTION | COLOR | PART NO. |
|---|---|-------|---------------------|
|  | <p>Sill Riser – Insert Units Only A2207 – 150" (3810)</p> <p>NOTE: Also order accessory kerf weatherstrip – frame, and self tapping screw (11800498)</p> <p>NOTE: For additional colors contact your Marvin Representative.</p> | | No longer available |
|  | <p>Self Tapping Screw #8 x 5/8" PH, PN, TX#2,410 Used with Riser Sill</p> | | No longer available |

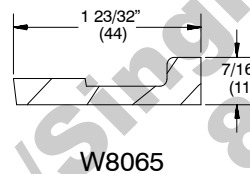
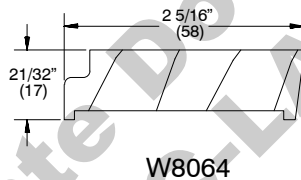
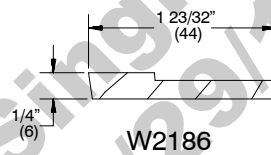
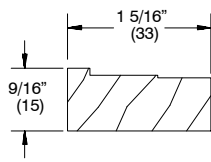
Ultimate Double/Single Hung
 DISC-LA Pre 6/29/15

Ultimate Double/Single Hung Insert
 DISC-LA Pre 8/27/2018



ULTIMATE DOUBLE HUNG/SINGLE HUNG INSERT DISC LA PRE 8/27/18

PARTS NO LONGER AVAILABLE

| | |
|------------------------------|-------|
| Jamb Liner | W2185 |
| Sill Liner | W2186 |
| Sill Filler Transom | W8064 |
| Sill Liner - Transom/Picture | W8065 |



Ultimate Double/Single Hung
 DISC-LA Pre 6/29/15
 Ultimate Double/Single Hung Insert
 DISC-LA Pre 8/27/2018

| ILLUSTRATION NOT TO SCALE | DESCRIPTION | COLOR | PART NUMBER |
|---|---|-------|-------------------------------|
|  | Sill Thermal Break <i>Ultimate Insert Units Only</i> V030 150" (3810) | | No longer available |
|  | Picture/Transom Top Rail & Stile Sash Weather Strip V1297 Specify Length | | No longer available, use V147 |

Ultimate Double/Single Hung
 DISC-LA Pre 6/29/15
 Ultimate Double/Single Hung Insert
 DISC-LA Pre 8/27/2018

MULLING AND PANNING KITS AND PARTS ARE NO LONGER AVAILABLE FOR THE ULTIMATE DOUBLE HUNG/SINGLE HUNG DISC LA PRE 6/29/15 AND THE ULTIMATE DOUBLE HUNG/SINGLE HUNG INSERT DISC LA PRE 8/27/18 PRODUCTS.

Ultimate Double/Single Hung
DISC-LA Pre 6/29/15

Ultimate Double/Single Hung Insert
DISC-LA Pre 8/27/2018