



Modern Casement

Crank Out, Push Out and Automated

Replacement Parts

Specifications and technical data are subject to change without notice.

Numbers listed in () parentheses are metric equivalents in millimeters rounded to the nearest whole number.

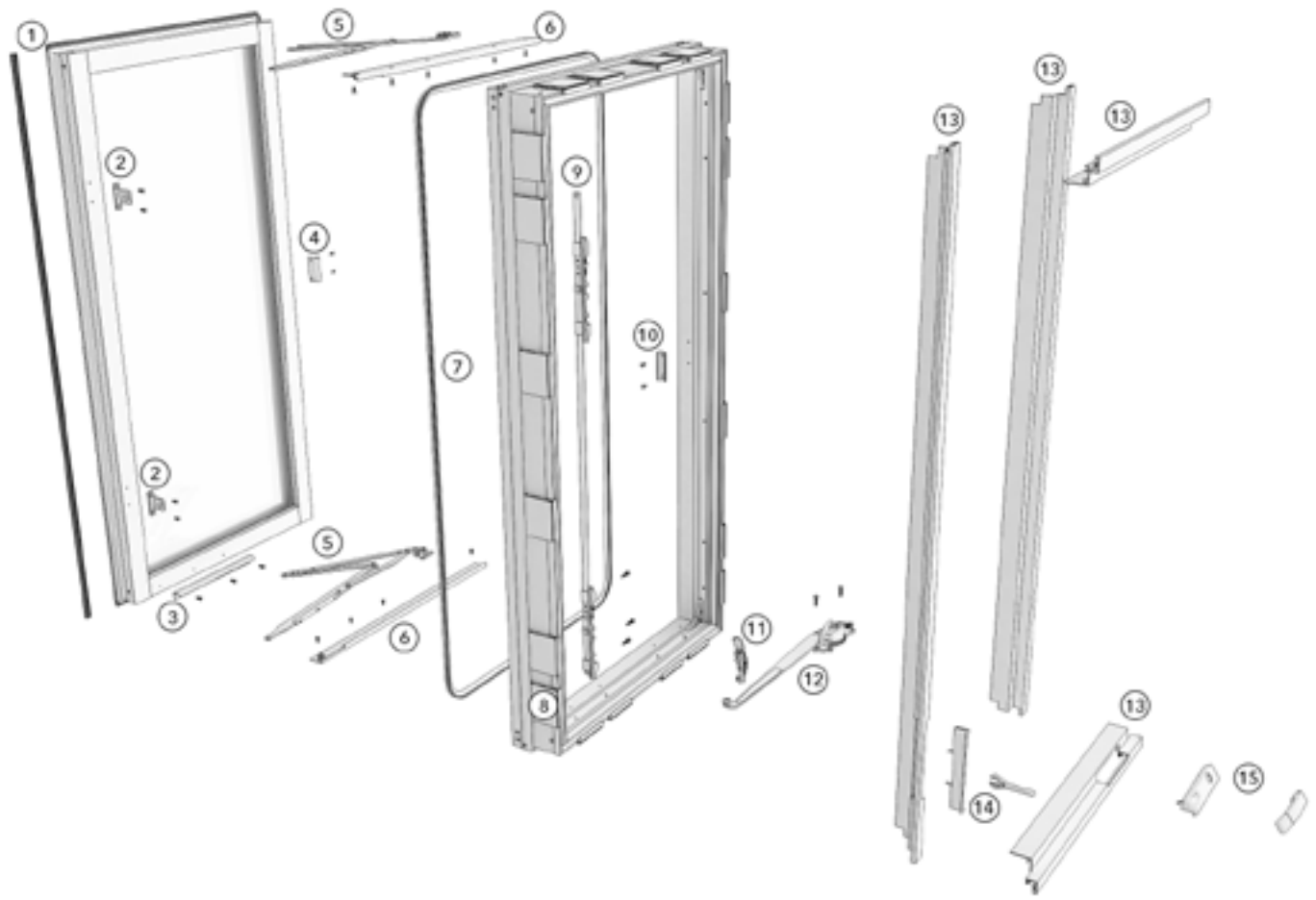
Suggested fasteners are not included and must be ordered separately.

Illustrations are not to scale.

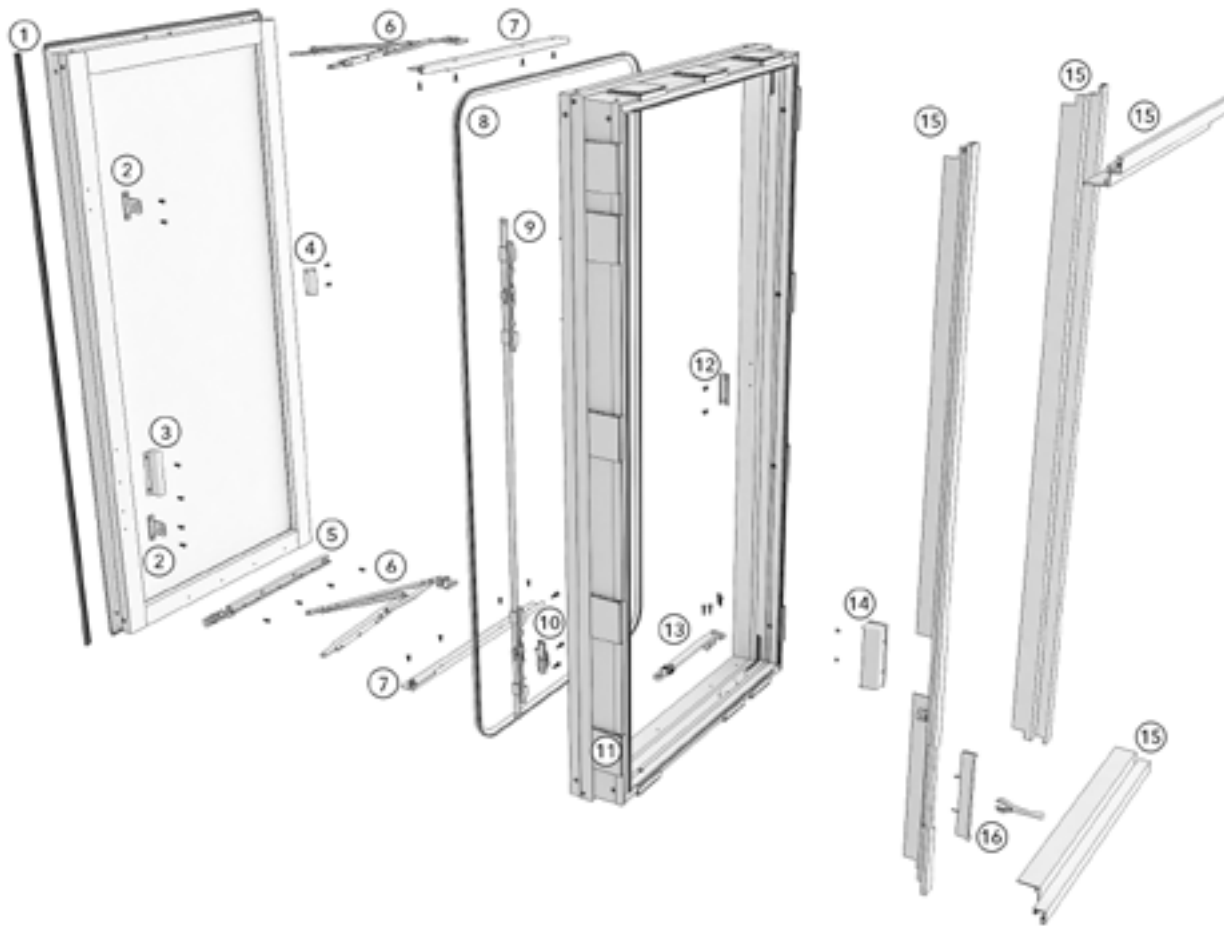
Contents

Product History.....	2
Part Identification - Crank Out Unit.....	3
Part Identification - Push Out Unit.....	4
Part Identification - Picture Unit.....	5
Part Identification - Automated Unit.....	6
Handles	7
Hinges.....	9
Operators.....	10
Miscellaneous Parts	13
Lock Status Sensor Parts.....	14
Automated Parts.....	15
Automated Parts - Configured Part in OMS.....	20
WOCD Field Applied and Replacement Kits	21
Aluminum Parts - Configured Part in OMS	23
CLiC Glass Parts.....	24
CLiC Glass Aluminum Parts - Configured Part in OMS	26
Vinyl Parts.....	27
Vinyl Parts - Discontinued No Availability (NA)	28
Weather Strip.....	29
Weather Strip - Discontinued No Availability (NA)	30
Replacement Sash - Configured Part in OMS	31
Screens - Configured Part in OMS.....	32
Screen Parts.....	33
Screen Parts - Discontinued Limited Availability (LA)	34
Tools.....	35

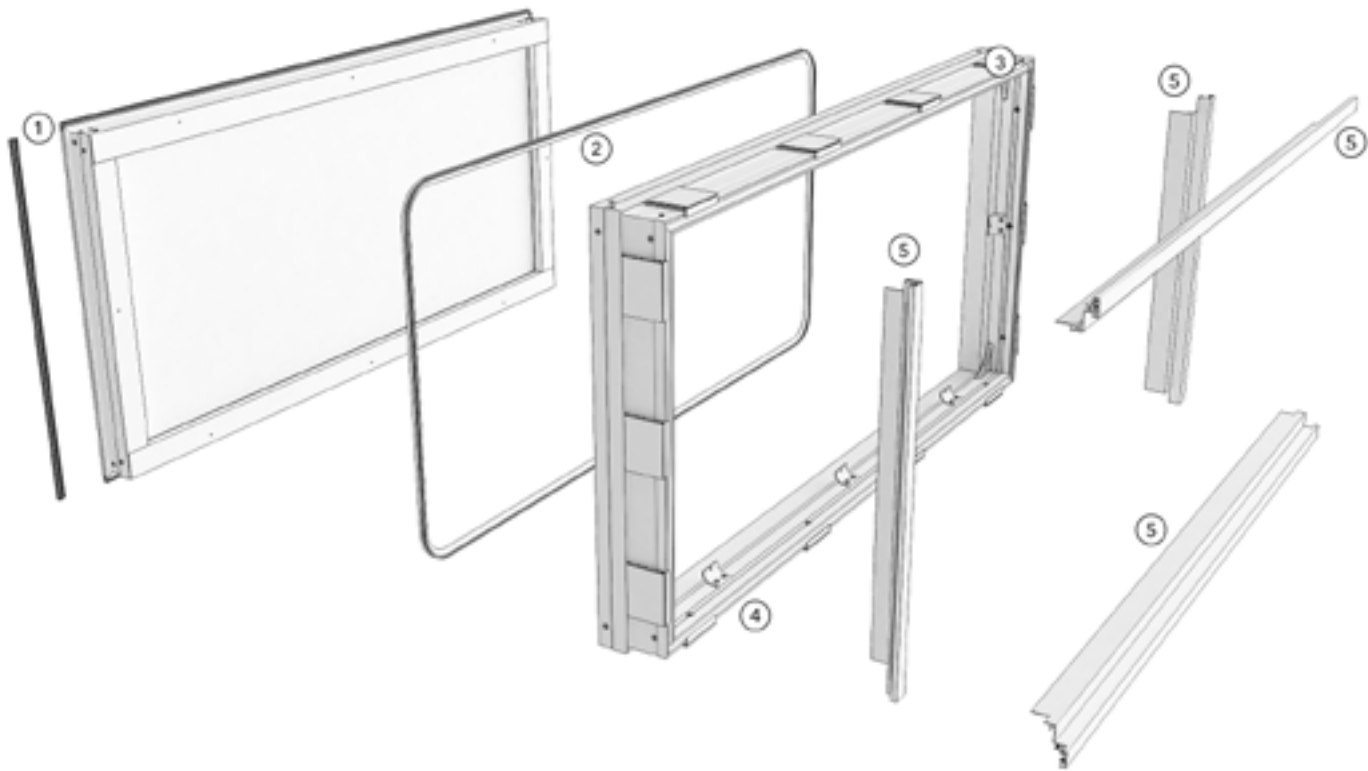
Produced	Unit Type	Features and Changes
2019	Casement Crank Out and Push Out	4/29/2019: Introduced the Modern Casement Crank Out and Modern Casement Push Out
2019	Casement Crank Out and Push Out	12/16/2019: Introduced Mulling Options
2020	Casement Crank Out and Push Out	02/24/2020: Sash Weather Strip was changed from V2803 to V147.
2020	Casement Crank Out and Push Out	04/27/2020: Casement Picture unit was introduced. Interior Frame Covers were made available as a configured part in OMS.
2022	Casement Crank Out and Push Out	08/29/2022: WOCD added as factory applied or field installation. For more information, see product bulletin 841.
2023	Casement Crank Out and Push Out	08/28/2023: Frame height sizes expanded from 102 inches to 108 inches. See product bulletin 897 for more information. 10/30/2023: An ERS coating became available as a standard option for current Triple Pane offerings. See Product Bulletin 904 for more details.
2024	Casement Automated	02/26/2024: Automated parts added to allow the casement to integrate with the Marvin Connected Home app. See Product Bulletin 906 for additional information.



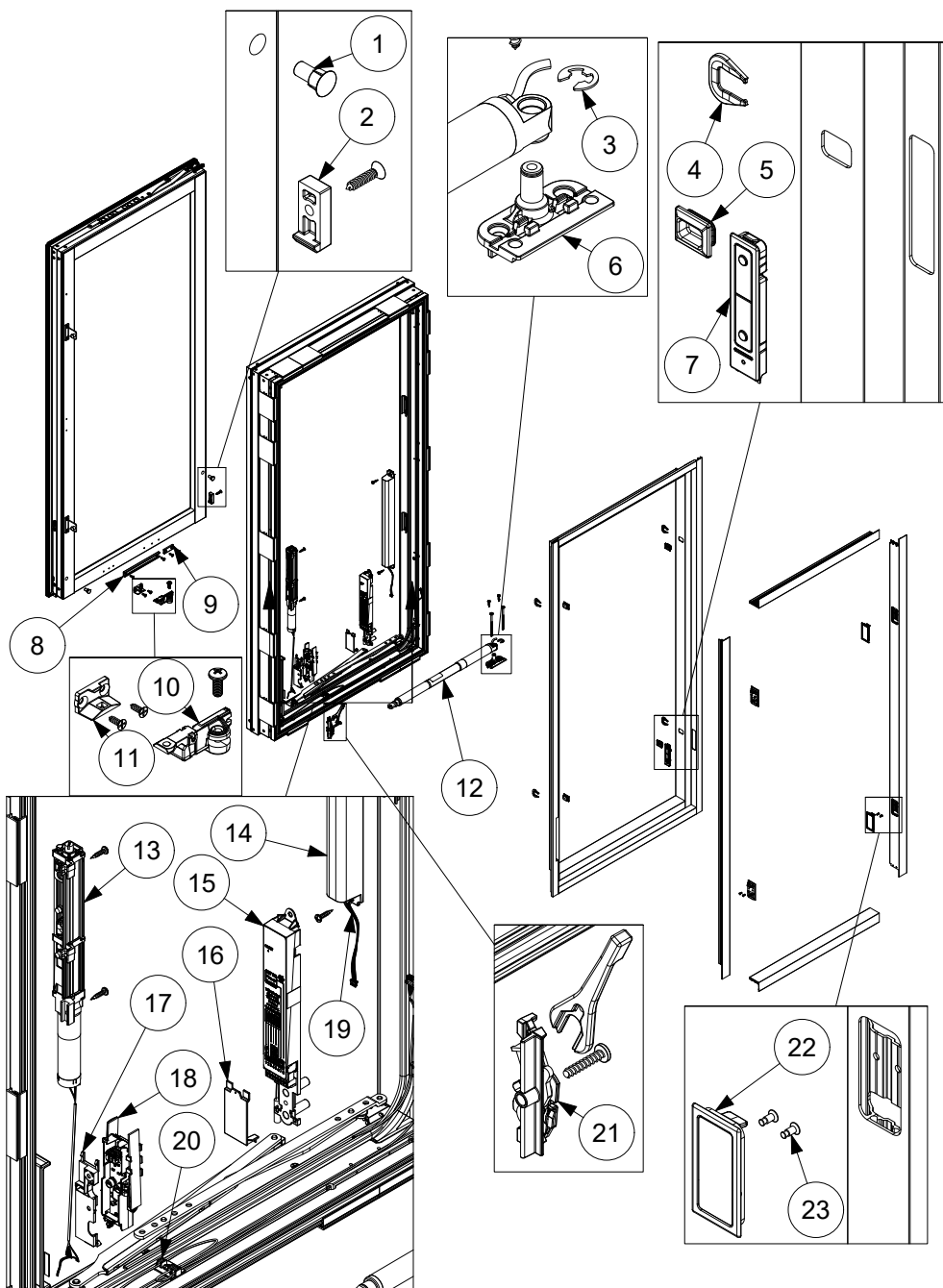
1. Sash Weather Strip, V147
2. Keeper
3. Operator Track
4. Sash Snubber
5. Hinge Arm Assembly
6. Hinge Track
7. Frame Weather Strip, V2808
8. Shim Block, V2916 (available in Accessories section)
9. Tie Bar Assembly
10. Frame Snubber
11. Lock Base Assembly
12. Single Arm Operator
13. Interior Frame Cover, A3390 (used on full interior perimeter)
14. Lock Handle and Escutcheon
15. Folding Handle and Cover



1. Sash Weather Strip, V147
2. Keeper
3. Push Out Handle
4. Sash Snubber
5. Friction Limiter Track Assembly
6. Hinge Arm Assembly
7. Hinge Track
8. Frame Weather Strip, V2808
9. Tie Bar Assembly
10. Lock Base Assembly
11. Shim Block, V2916 (available in Accessories section)
12. Frame Snubber
13. Operator Arm/Bracket
14. Push Out Escutcheon
15. Interior Frame Cover, A3390 (used on full interior perimeter)
16. Lock Handle and Escutcheon



1. Sash Weather Strip, V147
2. Frame Weather Strip, V2808
3. Shim Block, V2916 (available in Accessories section)
4. Casement Picture Bracket
5. Interior Frame Cover, A3390 (used on full interior perimeter)

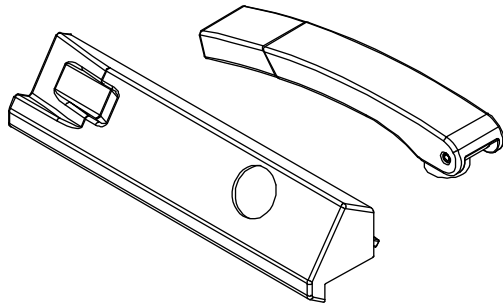


1. Magnetic Housing Assembly
2. Support Hinge, Washmode
3. E-Clip, 3/8 Shaft
4. Screen Latch Receiver Retainer
5. Screen Latch Receiver
6. Sash Actuator Bracket, Frame
7. On Unit Control
8. Operator Track
9. Track Stop
10. Sash Connector
11. Sash Bracket
12. Sash Actuator
13. Lock Actuator
14. Supercapacitor
15. Wireless Control Board
16. Secondary Cover, Wire
17. Housing Base, Motor Control Board
18. Motor Control Housing
19. Supercapacitor Wire Harness
20. Wire Holder
21. Lock Base, Motorized
22. Screen Latch Assembly
23. Rivets

Folding Handle and Cover

Crank Out

Color	LH PN	RH PN
Matte Black	10816475	10816476
Matte Bronze	10816477	10816478
Satin Nickel	10816479	10816480
Silver	10816481	10816482
Stone White	10816483	10816484

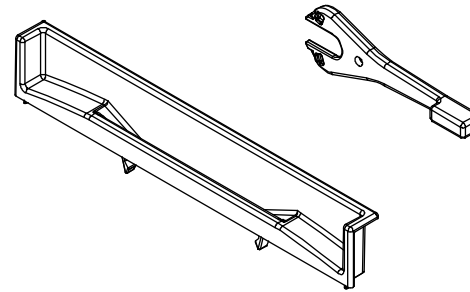


LH shown

Lock Handle and Escutcheon

Crank Out, Push Out and Automated

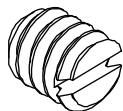
Color	PN
Matte Black	10816465
Matte Bronze	10816466
Satin Nickel	10816467
Silver	10816468
Stone White	10816469



Set Screw, Folding Handle

Crank Out

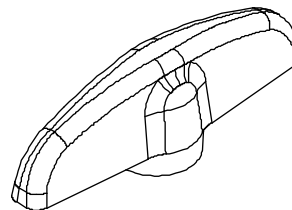
Color	PN
Black	10816485



T-Handle, Operator

Crank Out (construction handle only)

PN
10898670

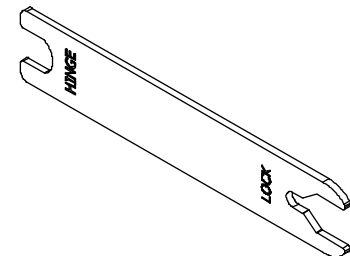


Modern Casement

Lock Handle Wrench

Crank Out, Push Out and Automated

PN
10810020



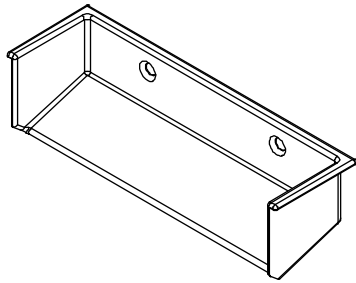
Push Out Escutcheon Kit

Push Out

Includes:

- 1 - Push out escutcheon
- 2 - #6 x 1/4" Phillips, flat head, stainless steel screws

Color	PN
Matte Black	11862761
Matte Bronze	11862762
Satin Nickel	11862763
Silver	11862764
Stone White	11862765



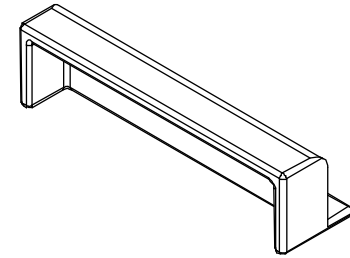
Push Out Handle Kit

Push Out

Includes:

- 1 - Push out handle
- 2 - #8-15 x 1/2" type AB, Phillips, flat head, stainless steel screws

Color	PN
Matte Black	11862756
Matte Bronze	11862757
Satin Nickel	11862758
Silver	11862759
Stone White	11862760



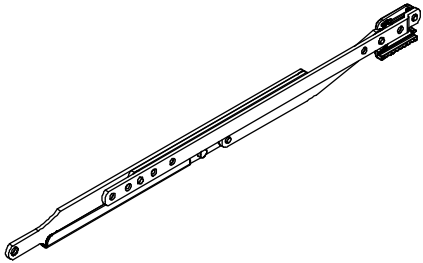
Hinge Arm Kit

Crank Out, Push Out and Automated

Includes:

- 1 - Hinge arm
- 4 - #8-15 x 3/4" type AB, Phillips, flat head, stainless steel screws

Description	Length	Color	LH PN (UL/LR)	RH PN (LL/UR)
For frame width 20" - 44"	18"	Stainless Steel	11862700	11862701



LL/UR shown

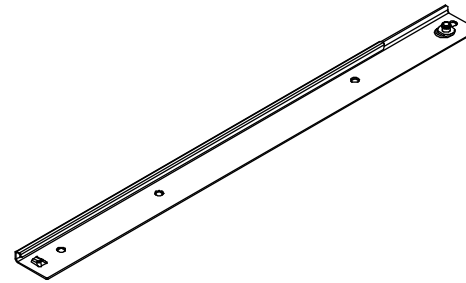
Hinge Track Kit

Crank Out, Push Out and Automated

Includes:

- 1 - Hinge track
- 4 - #8-15 x 1/2" type AB, Phillips, flat head, stainless steel screws

Description	Length	Color	LH PN (UL/LR)	RH PN (LL/UR)
For frame width 20" - 44"	18"	Stainless Steel	11862702	11862703



LL/UR shown

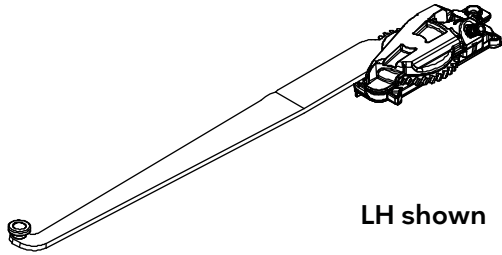
Single Arm Operator

Crank Out

Includes:

- 1 - Single arm operator
- 2 - #8-10 x 3/4" full thread, Phillips, pan head, stainless steel screws

Description	Length	Color	LH PN	RH PN
For frame width 20.000" - 24.000"	10"	Painted Silver	11862747	11862750
For frame width 24.001" - 30.000"	14"		11862748	11862751
For frame width 30.001" - 44.000"	18"		11862749	11862752



LH shown

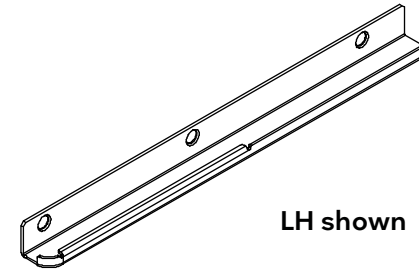
Operator Track Kit

Crank Out

Includes:

- 1 - Operator track
- 3 - #8-15 x 1/2" type AB, Phillips, flat head, stainless steel screws

Length	Color	LH PN	RH PN
9"	Stainless Steel	11862728	11862729



LH shown

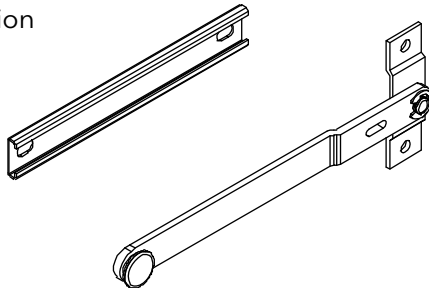
Sash Limiter Kit, Custodial

Crank Out, Push Out and Automated

Includes:

- 1 - Sash limiter and track assembly
- 4 - #8-15 x 3/8" Torx screw
- 1 - Torx tamper-proof custodial bit
- 1 - Field installation instruction

PN
11850750



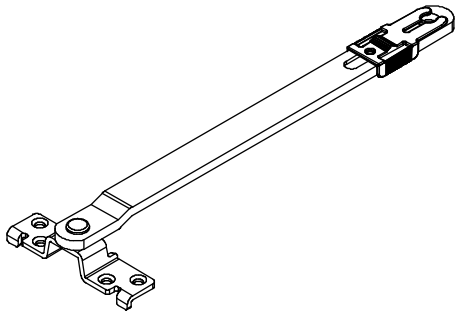
Operator Arm/Bracket Assembly Kit

Push Out

Includes:

- 1 - Operator arm/bracket assembly
- 4 - #8-10 x 3/4" Phillips, full thread, pan head, stainless steel screws

Description	Length	Color	PN
For frame width 20.000" - 28.499"	8"	Stainless Steel	11862725
For frame width 28.500" - 34.999"	13 3/4"		11862726
For frame width 35.000" - 44.000"	17 1/4"		11862727



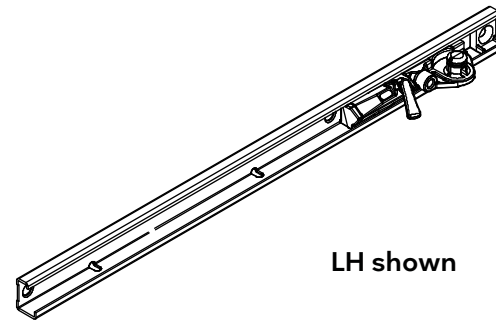
Friction Limiter Track Assembly Kit

Push Out

Includes:

- 1 - Track bracket assembly
- 4 - #8-15 x 1/2" type AB, Phillips, flat head, stainless steel screws

Description	Length	Color	LH PN	RH PN
For frame width 20.000" - 28.499"	12 11/32"	Stainless Steel	11862719	11862720
For frame width 28.500" - 34.999"	15 23/32"		11862721	11862722
For frame width 35.000" - 44.000"	19 3/4"		11862723	11862724



LH shown

Tie Bar Assembly

Crank Out and Push Out

Includes:

#8-10 x 3/4" full thread, Phillips, pan head stainless steel screw (see below for quantity included).

NOTE: Tie Bars for Automated units must be ordered by configured part to have the proper hardware applied to them (see Automated Parts - Configured Part in OMS page)

Description	Length	Color	LH PN	RH PN
For frame height 16.000" - 18.499" (includes 2 screws)	8"	E-Gard	11862733	11862734
			PN	
Push Out frame height 18.500" - 28.999" (includes 2 screws)	10"	E-Gard	11862735	
Crank Out frame height 18.500" - 31.999" (includes 2 screws)				
For frame height 29.000" - 31.999" (includes 4 screws)	20 1/2"		11862772*	
For frame height 32.000" - 37.999" (includes 4 screws)	23 1/2"		11862736	
For frame height 38.000" - 43.999" (includes 4 screws)	29 1/2"		11862737	
For frame height 44.000" - 49.999" (includes 4 screws)	35 1/2"		11862738	
For frame height 50.000" - 55.999" (includes 4 screws)	41 1/2"		11862740	
For frame height 56.000" - 61.999" (includes 6 screws)	47 1/2"		11862741	
For frame height 62.000" - 67.999" (includes 6 screws)	53 1/2"		11862742	
For frame height 68.000" - 73.999" (includes 6 screws)	59 1/2"		11862743	
For frame height 74.000" - 79.999" (includes 6 screws)	65 1/2"		11862744	
For frame height 80.000" - 87.999" (includes 6 screws)	71 1/2"		11862745	
For frame height 88.000" - 102.000" (Includes 6 screws)	79 1/2"		11862746	
For frame height 102.001" - 108.000" (Includes 10 screws)	84"		11862422	

*Used on Push Out only (note frame height range)

Lock Base Assembly (shown for illustrative purposes only – Must be ordered separately)



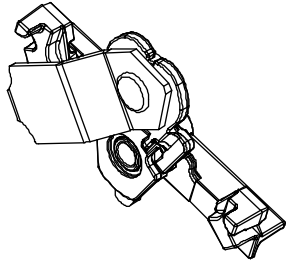
Lock Base Assembly Kit

Crank Out and Push Out

Includes:

1 - #8-15 x 1" TEK-3, full thread, Phillips, pan head screw

PN
11862718



Snubber Replacement Kit

Crank Out, Push Out and Automated

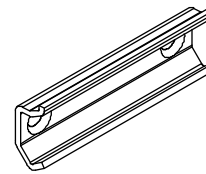
Includes:

4 - Frame snubber

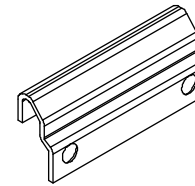
4 - Sash snubber

16 - #8-15 x 1/2" type AB, Phillips, flat head, stainless steel screws

Color	PN
Stainless Steel	11862479



Frame Snubber



Sash Snubber

Casement Picture Bracket Kit

Picture

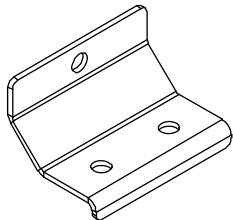
Includes:

1 - Picture window bracket

2 - #8-10 x 3/4" type A, Phillips, pan head, stainless steel screws

1 - #8-15 x 1/2" type AB, Phillips, flat head, UC screws

PN
11862302



Keeper Kit

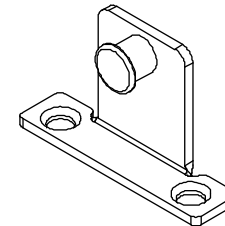
Crank Out, Push Out and Automated

Includes:

1 - Keeper

2 - #8-15 x 1/2" type AB, Phillips, flat head, stainless steel screws

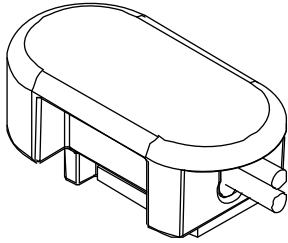
Color	PN
Stainless Steel	11862716



Reed Capsule

Crank Out, Push Out and Automated

Color	PN
Black	10501846



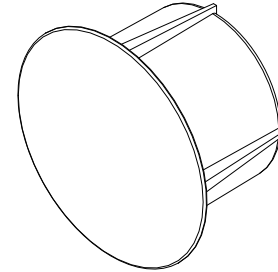
Magnet Housing Assembly

Crank Out, Push Out and Automated

Includes:

- 1 - Magnet, 1/4" x 5/8" N52
- 1 - Magnet housing

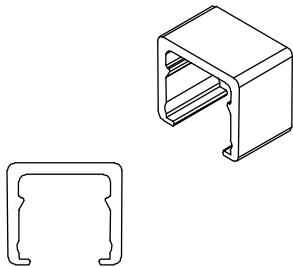
Color	PN
Black	10501836
White	10501837



Lock Status Sensor Clip

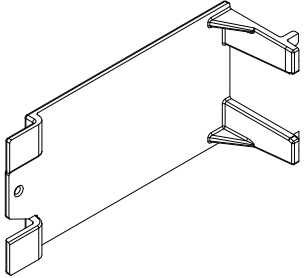
Crank Out, Push Out and Automated

PN
10500890



Secondary Cover, Wire

PN
10501891

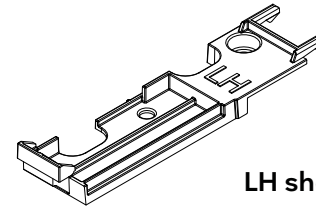


Housing Base, Motor Control Board Kit

Includes:

- 1 - Housing base, Motor Control Board
- 2 - #8-10 x 3/4" full thread, Phillips, pan head, stainless steel screws

Handing	PN
LH	11852560
RH	11852561



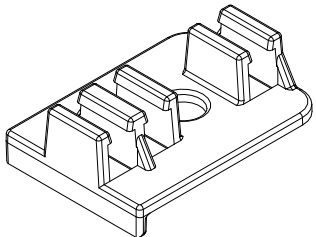
LH shown

Wire Holder Kit

Includes:

- 1 - Wire holder
- 2 - #8-10 x 3/4" full thread, Phillips, pan head, stainless steel screws

PN
11852562

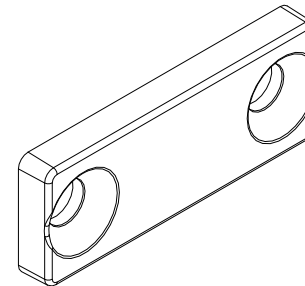


Track Stop Kit

Includes:

- 1 - Track stop
- 2 - #8-15 x 1/2" type AB, Phillips, flat head screws

PN
11852563

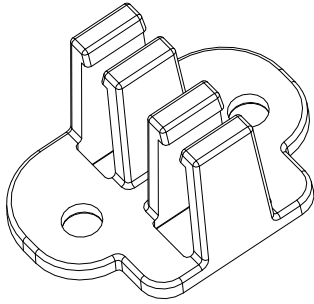


Motor and Harness Wire Organizer Kit

Includes:

- 1 - Motor and harness wire organizer
- 2 - #8-10 x 3/4" full thread, Phillips, pan head, stainless steel screws

PN
11852564

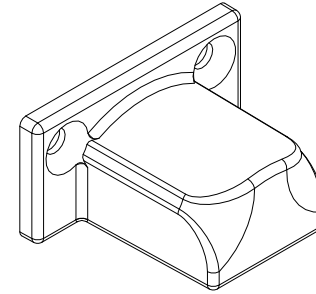


Motorized Bumper Kit, Sash

Includes:

- 1 - Bumper
- 2 - #8-15 x 1/2" Phillips, flat head screws

PN
11852565

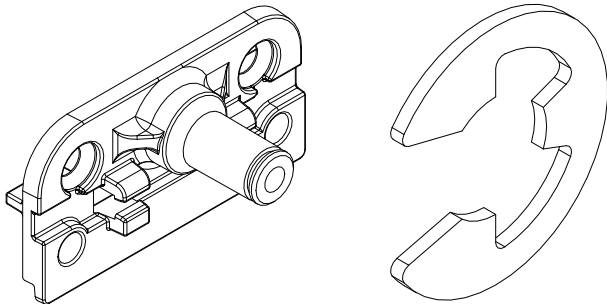


Sash Actuator Bracket Kit, Frame

Includes:

- 1 - Bracket
- 1 - E-Clip, 3/8 shaft
- 1 - Flange bushing
- 2 - #8-10 x 3/4" full thread, Phillips, pan head, stainless steel screws
- 2 - #10-12 x 3" Torx, pan head 2/3 thread screws
- 2 - #8-32 x 1 1/4" Trilobular screws

PN
11852566

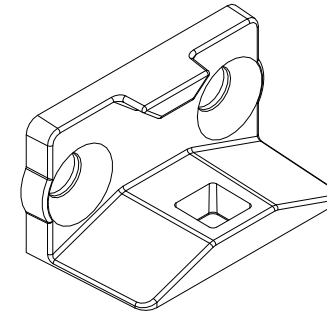


Bracket Kit, Sash

Includes:

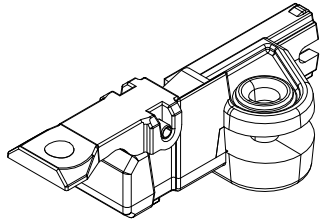
- 1 - Bracket
- 2 - #8-15 x 1/2" type AB, Phillips, flat head screws

PN
11852567



Sash Connector

Handing	PN
LH	10501794
RH	10501795



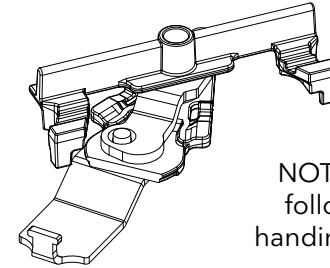
NOTE: Handing follows the unit handing. LH shown

Lock Base Kit

Includes:

- 1 - Motorized lock base
- 1 - #8 x 1" Tek-3 Phillips, flat head, stainless steel screw

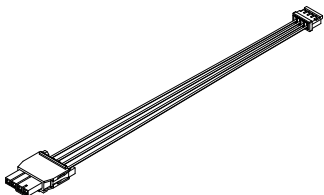
Handing	PN
LH	11852570
RH	11852571



NOTE: Handing follows the unit handing. RH shown

Supercapacitor Wire Harness

Length	Frame Height	PN
4" (102)	30.500" to 108.000"	10810026
23" (584)	23.500" to 27.499"	10810027
31" (787)	27.500" to 30.499"	10810033

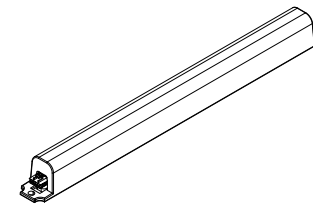


Supercapacitor Kit

Includes:

- 1 - Supercapacitor subassembly
- 2 - #8-10 x 3/4" full thread, Phillips, pan head, stainless steel screws

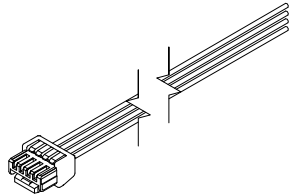
PN
11852579



Y Branch Wire Harness

NOTE: Wire harness replacement also requires a 4" Cable Tie (ordered separately)

Length	Frame Width	PN
31" (787)	20.000" to 21.999"	10810023
37" (940)	22.000" to 27.999"	10810024
44" (1118)	28.000" to 34.999"	10810025
53" (1346)	35.000" to 44.000"	10810053

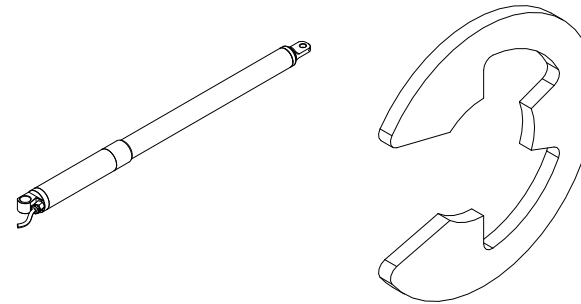


Sash Actuator Kit

Includes:

- 1 - Sash actuator
- 1 - E-Clip, 3/8 shaft
- 1 - 4" cable tie
- 1 - 1/4-20 x 5/8" Phillips, flat head screw

Length	Frame Width	PN
4" short wire (127)	20.000" to 26.999"	11852573
8.5" (216)	27.000" to 44.000"	11852574

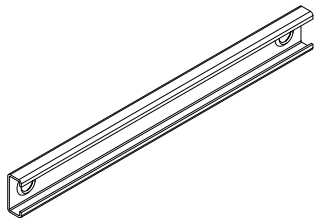


Operator Track Kit

Includes:

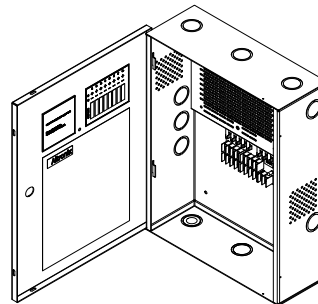
- 1 - Awning operating track
- 2 - #8-15 x 1/2" full thread, Phillips, flat head screws

Length	Frame Width	PN
5" (127)	20.000" to 26.999"	11852568
8.5" (216)	27.000" to 44.000"	11852569



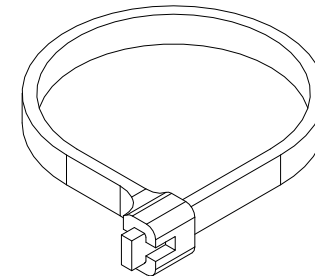
Power Supply Box

PN
02066143



Tie Cable, Narrow, 4"

Color	PN
Black	11852525



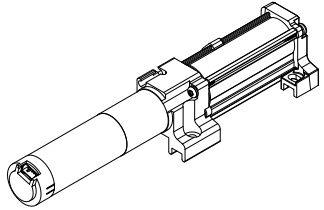
Manual or Non Manual Actuator Lock Kit

Includes:

- 1 - Manual or Non Manual lock actuator*
- 2 - #8-10 x 3/4" full thread, Phillips, pan head, stainless steel screws

*Parts are handed and or change length for Manual vs. Non Manual capable actuators

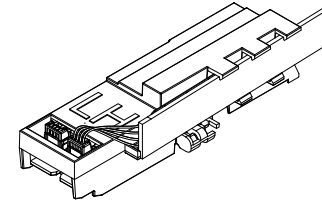
Description	Handing	Frame Height	PN
Manual	LH	38.000" to 108.000"	11852577
	RH		11852578
Non Manual	LH	23.500" to 37.999"	11852575
	RH		11852576



NOTE: Handing of lock actuator follows the unit handing. RH Non Manual shown.

Motor Control Board

Handing	PN
LH	10810029
RH	10810030

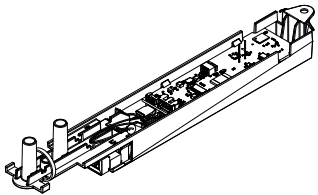


NOTE: Handing follows the unit handing. LH shown

Wireless Control Board

NOTE: Wire harness replacement also requires a 4" Cable Tie (ordered separately)

PN
10810028

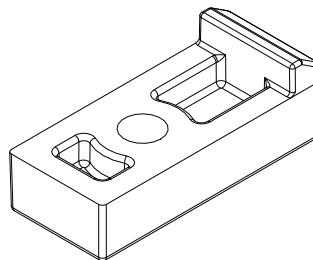


Hinge Support Kit, Washmode

Includes:

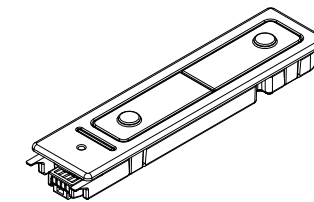
- 1 - Support, hinge
- 1 - #8 x 3/4" Type A-17 full thread screw

PN
11862398



On Unit Control

Color	PN
Matte Black	10810032
Stone White	10810031



Tie Bar Assembly

Automated

Includes:

#8-10 x 3/4" full thread, Phillips, pan head stainless steel screws

NOTE: Tie Bars for Automated units must be ordered by configured part to have the proper hardware applied to them.



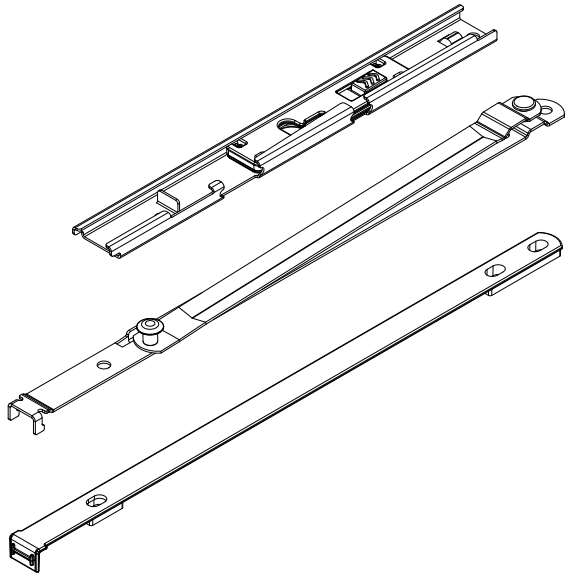
WOCD Field Applied, Complete for Sash and Frame

Crank Out, Push Out and Automated

Includes:

- 1 - Frame track narrow profile (Type A shown)
- 1 - Sash arm, self locating (Type A shown)
- 1 - Self locating shim
- 3 - #8 x 1/2" Phillips pan head stainless steel screws
- 2 - #8 x 1/4" Phillips pan head stainless steel screws
- 1 - Template, Modern
- 1 - WOCD field applied installation instructions
- 1 - Casement WOCD safety information

Kit	Handing	Finish	PN
A	LH	Stainless Steel	11852530
B	RH	Stainless Steel	11852531



NOTE: For windows without factory-applied WOCD, refer to Product Bulletin 841 for more information.

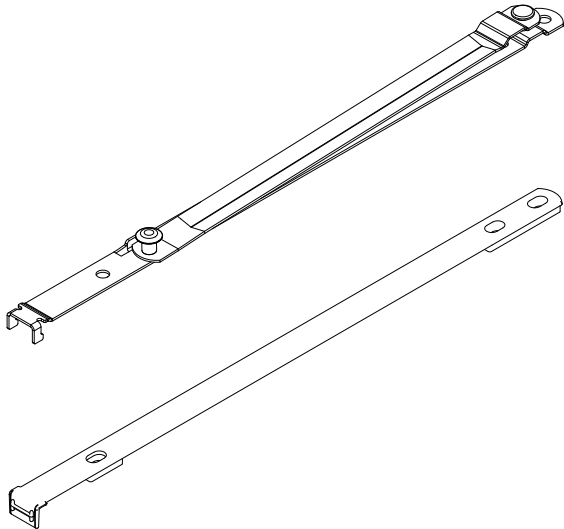
WOCD Field Applied, Sash

Crank Out, Push Out and Automated

Includes:

- 1 - Sash arm, self locating (Type A shown)
- 1 - Self locating shim
- 3 - #8 x 1/2" Phillips pan head stainless steel screws
- 1 - Template, Modern
- 1 - WOCD field applied installation instructions
- 1 - Casement WOCD safety information

Kit	Handing	Finish	PN
A	LH	Stainless	11852540
B	RH	Steel	11852541



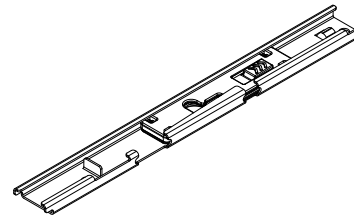
WOCD Field Applied, Frame

Crank Out, Push Out and Automated

Includes:

- 1 - Frame track narrow profile (Type A shown)
- 2 - #8 x 1/4" Phillips pan head stainless steel screws
- 1 - Template, Modern
- 1 - WOCD field applied installation instructions
- 1 - Casement WOCD safety information

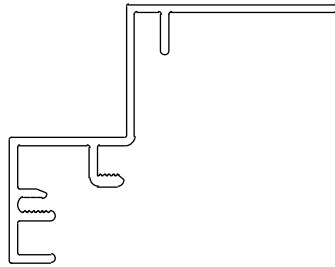
Kit	Handing	Finish	PN
A	LH	Stainless	11852542
B	RH	Steel	11852543



NOTE: For windows without factory-applied WOCD, refer to Product Bulletin 841 for more information.

Replacement Interior Covers are available as a configured part in OMS.

NOTE: If a new escutcheon cover is needed when ordering a new interior cover for a Casement Push Out, it must be ordered separately. See "Push Out Escutcheon Kit" in the Handle pages of this section for part numbers.



A3390
Interior Cover

CLiC Glass Controller, Single Channel, Kit

Includes:

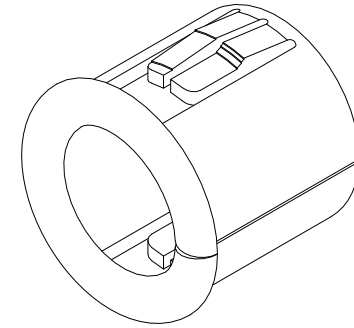
- 1 - Gen1 Controller (10700214)
- 1 - Power Supply (10700024)

PN
10700238



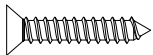
Grommet, 3/8"

Color	PN
Black	10892865



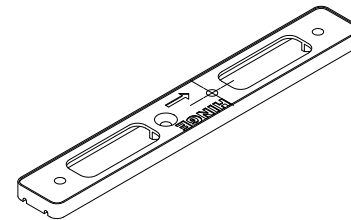
#6-18 x 3/4" Type A, Full Thread Screw

PN
11801531



Powerlink Spacer

PN
10507055



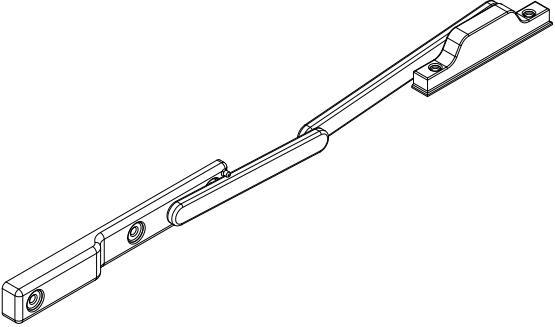
CLiC Glass Controller, 8-Channel Hub

PN
10700198

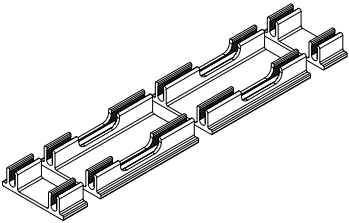


CLiC Powerlink

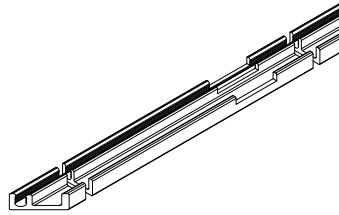
LH PN	RH PN
10703381	10703382



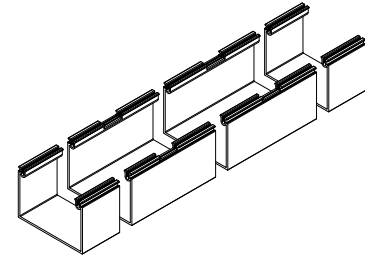
LH shown



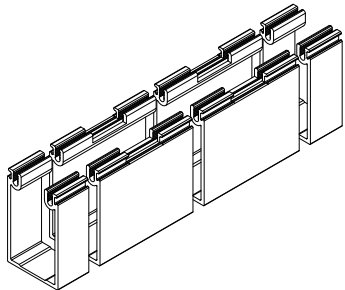
A3315
Mull Cover, w/CLiC Route



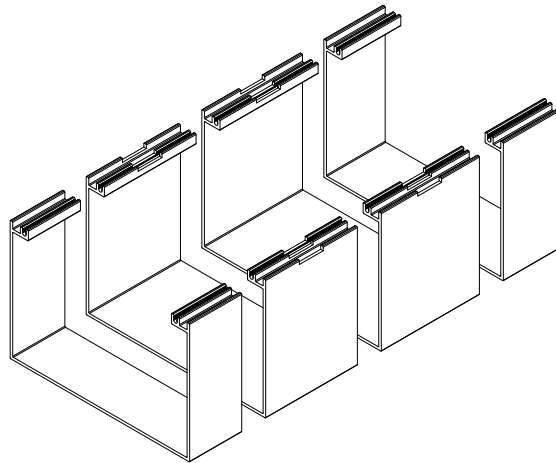
A3316
Trim, Interior, Vertical, w/CLiC Route



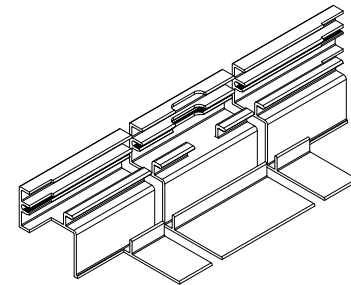
A3512
Mull Cover, Interior, 2" x 4", Vertical
Jamb, w/CLiC Route



A3513
Mull Cover, Interior, 5" x 4", Vertical
Jamb, w/CLiC Route



A3567
Mull Cover, Interior, 4 1/2", Vertical,
w/CLiC Route



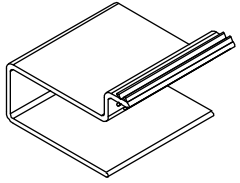
A3390
Interior Cover, Jamb, w/CLiC Route

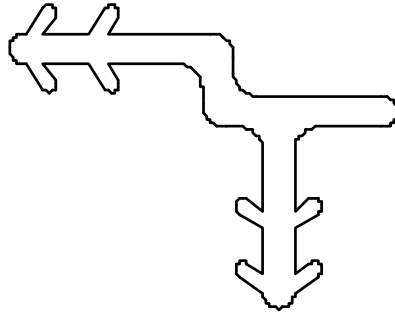
Frame Cover Support

V3126

Crank Out, Push Out, Picture and Automated

Length	Color	PN
1 1/2" (38)	Natural	16219325





Connecting Barb, V087

Crank Out, Push Out & Picture

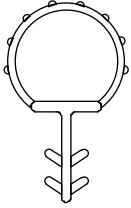
No longer available - use current part

Sash Weather Strip

V147

Crank Out, Push Out, Picture and Automated

Length	Color	PN
150" (3810)	Black	17002299

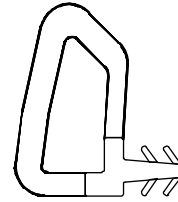


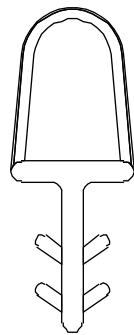
Frame Weather Strip

V2808

Crank Out, Push Out, Picture and Automated

Length	Color	PN
Specify Length	Black	15356397





Sash Weather Strip, V2803
Crank Out and Push Out
No longer available - use current part

Replacement Sash: Replacement sash are available through Configured Part in OMS.

NOTE: Sash is not reglazable; glass replacement will require a new sash.

Screens: Screens are available through Configured Part in OMS.

NOTE: If a screen is being added to an existing product, stops must also be ordered.

Screen Latch Kit

Crank Out, Push Out and Automated

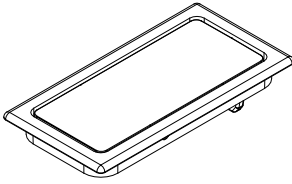
Includes:

- 1 - Screen latch assembly
- 2 - Rivets

Usage dates:

2/26/2024 to present

Color	PN
Matte Black	11852585
Matte Bronze	11852586
Stone White	11852587
Gunmetal	11852588
Silver	11852589



Screen Latch Receiver Kit

Crank Out, Push Out and Automated

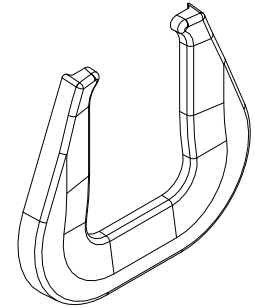
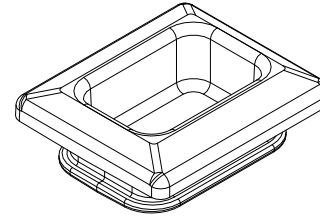
Includes:

- 1 - Screen latch receiver
- 1 - Screen latch receiver retainer

Usage dates:

2/26/2024 to present

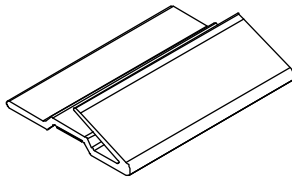
Color	PN
Matte Black	11852590
Matte Bronze	11852591
Stone White	11852592
Gunmetal	11852593
Silver	11852594



Screen Alignment Bumper

Crank Out, Push Out and Automated

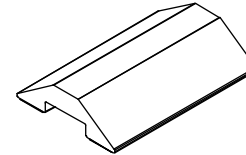
Color	PN
Black	15709427



Screen Bottom Rail Bumper

Crank Out, Push Out and Automated

Color	PN
Black	15709428



Screen Latch Assembly Kit

Crank Out and Push Out

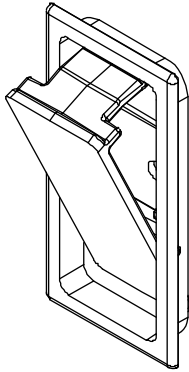
Includes:

- 1 - Screen latch assembly
- 2 - Rivets

Usage dates:

Prior to 2/26/2024

Color	PN
Ebony	11862481
Bronze	11862482
Stone White	11862483
Gunmetal	11862484
Silver	11862485



Screen Latch Receiver Assembly Kit

Crank Out and Push Out

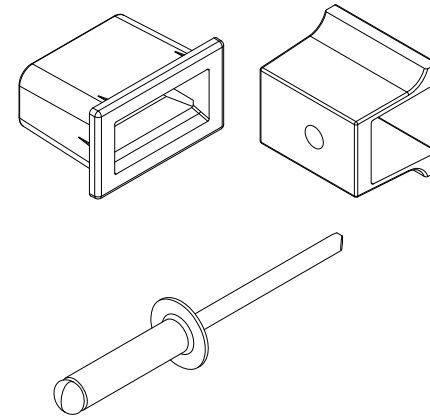
Includes:

- 1 - Screen hardware latch receiver
- 1 - Screen hardware receiver back
- 1 - Rivet

Usage dates:

Prior to 2/26/2024

Color	PN
Ebony	11862486
Bronze	11862487
Stone White	11862488
Gunmetal	11862489
Silver	11862490



T20 Torx Tamper-Proof Custodial Bit

Crank Out, Push Out and Automated

PN
02071481

