

Sliding Door Automatic Control Device

Certified Installation Site Preparation Instructions

ABSTRACT: Use this site prep guide in conjunction with the other door site prep guides and the Sliding Door Automatic Control Installation Instruction. Install the door prior to installing the motor. The following instructions assume the installer has prior product and installation training before attempting to install the device.

WARNING!

Always practice safety! Wear the appropriate eye, ear, and hand protection, especially when working with power tools.

WARNING!

All electrical work must be performed by a licensed electrician. Electrical requirements described are per the manufacturer's instruction.

NOTE: Numbers listed in parentheses () are metric equivalents in millimeters rounded to the nearest whole number.

IMPORTANT

No interior finish such as drywall, can be covering the wall cavity prior to installation.

Wall Cavity Preparation

Prep your framing material by providing an uninsulated wall cavity with a 12" (305) minimum width by 24" (610) minimum height (starting at the top of the door header).

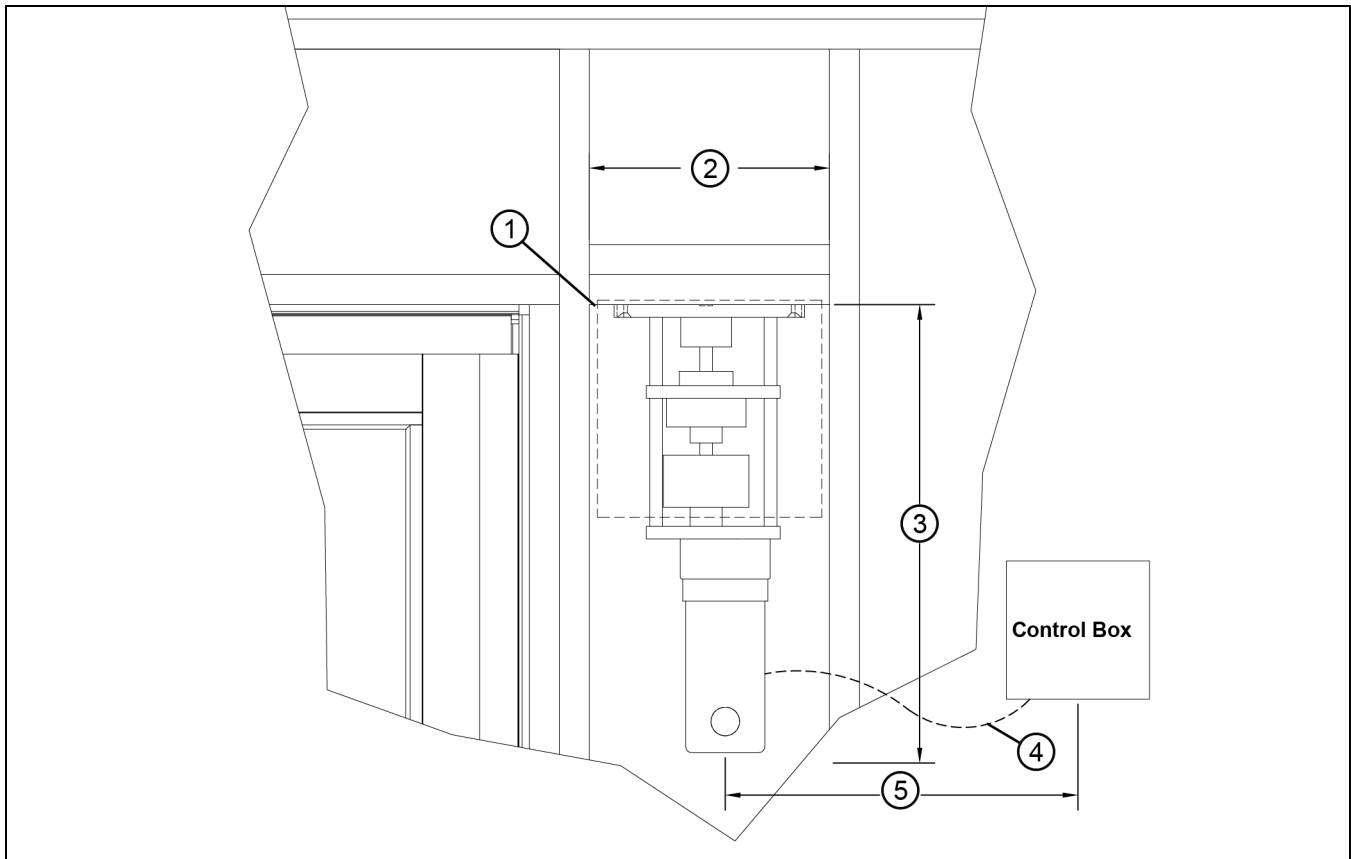


Figure 1

1	Access panel 12" wide minimum x 12" wide minimum
2	12" (305) Opening width minimum
3	24" (610) Opening height minimum
4	14-2 Power and CAT5e cables
5	Controller placed up to 100' away

Access Panel

Prep for the access panel should be roughed in with a 12" (305) minimum width by 12" (305) minimum height starting at the top of the door header.

Electrical Specifications

IMPORTANT

Always follow local codes and regulations

- The motor will require 110VAC ran to the controller
- A dedicated circuit is required
- Non GFCI circuit is recommended.

Interior Wall Switch

- A single (one) gang box is included
- Must be located within 100' (30480) of the motor or controller.

Exterior Wall Switch

- A single (one) gang box is required and must be located within 100' of the motor or controller.

Wiring Included

The following supplies are included with your motor but may be supplied locally. If CAT5e cables are locally supplied they MUST be shielded.

- 18" system power cable
- 100' 14-2 motor power cable (cable crimps included)
- 100' and 10' of red CAT5e "Super Cable"
- 75' and 10' of blue CAT5e cable
- 25' and 10' of yellow CAT5e cable

Wiring Diagram

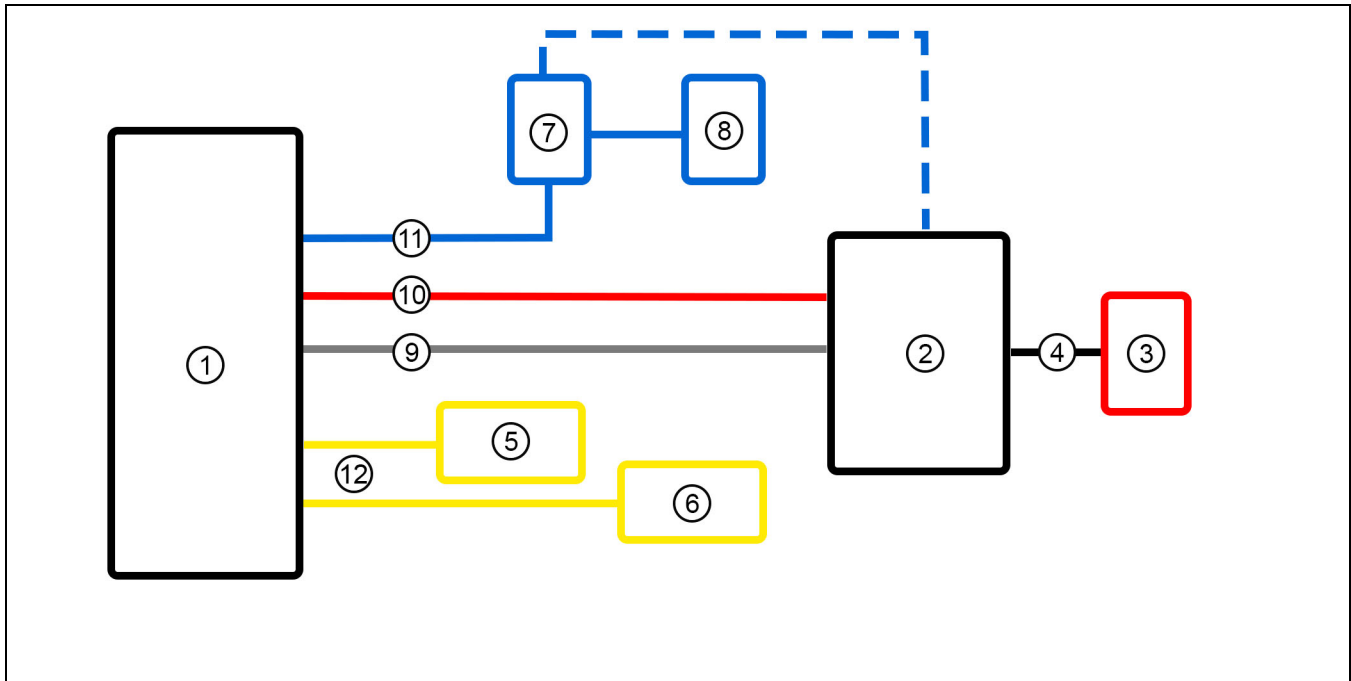


Figure 2

1	Motor
2	Control Box
3	110 volt outlet
4	Power cable from outlet to control box (can be hardwired).
5	Sensor 1
6	Sensor 2
7	Interior wall switch
8	Exterior wall switch
9	14-2 Power cable run from control box to motor.
10	Red CAT5e "Super Cable" run from the control box to motor.
11	Blue CAT5e cable ran from the interior and exterior wall switches to the motor or controller. (Can be daisy chained)
12	Yellow CAT5e cable ran from the sensors to the motor.
13	Power cable is supplied

Checklist

These items must be reviewed and/or completed prior to installation:

	Confirm there are two (2) SDAC boxes on-site.
	View the site prep and installation instructions (electronic or hard copy).
	Space requirements for the motor mounting are met (12" x 24").
	Location of the control box must be in a separate opening from the motor.
	Control box is 7 1/2" x 7 1/2" x 5 1/2" and must have room for the front panel to swing open.
	Standard 110 VAC outlet on dedicated 15 amp circuit. Outlet must be within 12" of the bottom left corner of the control box location (unless hardwired).
	Insulation: Keep fiberglass and spray foam insulation a minimum of 2" (610) from the motor and controller.
	14-2 power cable run from the motor cavity to the control box location.
	Red CAT5e "Super Cable" is run from the motor cavity to the control box location.
	Blue CAT5e cable is run to each junction box location for wired keypads.
	Yellow CAT5e cable run to the sensor locations.