

Ultimate Inswing French Door G2

Ultimate Inswing French Door 2 1/4" G2

Unit Features.....	1
Divided Lite Options	4
Inswing Handing Configurations.....	6
Standard Unit Measurements.....	7
Standard Unit Measurement - In-Sash Transom.....	8
Certified Sizes and Ratings	9
Minimum and Maximum Guidelines - Doors and In-Sash Transom.....	11
Measurement Conversions	12
Net Clear Openings: Inswing Units	13
Inswing Section Details: Sill Options	14
Inswing Section Details: Operating (1 3/4" Panels).....	15
Inswing Section Details: Operating (2 1/4" Panels).....	16
Inswing Section Details: Operating IZ3 (2 1/4" Panels)	17
Inswing Section Details: Operating (Tripane, 2 1/4" Panels Only).....	18
Inswing Section Details: Stationary (1 3/4" Panels)	19
Inswing Section Details: Stationary (2 1/4" Panels)	20
Inswing Section Details: Stationary IZ3 (2 1/4" Panels).....	21
Inswing Section Details: In-Sash Transom.....	22
Inswing Section Details: In-Sash Transom (6 9/16" Jamb).....	23
Inswing Section Details: In-Sash Transom IZ3 (1 3/4" Panels).....	24
Inswing Section Details: In-Sash Transom (2 1/4" Panels, Tripane).....	25
Inswing Section Details: Direct Glaze Rectangle	26
Inswing Section Details: Direct Glaze Rectangles IZ3	27
Inswing Section Details: Ultimate Sliding Screen.....	28
Inswing Section Details: Ultimate Swinging Screen	29
Inswing Section Details: In-Sash Transom Configurations	30
Inswing Section Details: Casing Options.....	31
Inswing Section Details: Flat Panel Placement	32
Inswing Section Details: Raised Panel Placement.....	33

Unit Features**Swinging Door Collection consists of:**

UIFD G2: Ultimate Inswing French Door G2

UIFD225 G2: Ultimate Inswing French Door 2 1/4" G2

UIFD225 G2 IZ3: Ultimate Inswing French Door 2 1/4" G2 IZ3

Frame:

- Frame thickness: 1 1/16" (27)
- UIFD G2 Jamb Depth: 4 9/16" (116)
- UIFD2.25 G2 Jamb Depth: 6 9/16" (167)
- Sill
 - Standard: Performance sill
 - Fiberglass reinforced pultruded sill with water shed and weep system
 - Color: Ebony
 - Optional: Accessibility Sill
 - Fiberglass reinforced pultruded sill with water shed and weep system
 - Reduced resistance to air and water infiltration, relative to Standard Performance Sill
 - Reduces standard CN height by 1/2"
 - Color: Ebony
 - Not ADM compliant as delivered.

Panel:

- UIFD G2 Panel thickness: 1 3/4" (44)
 - Top rail height and stile width: 4 3/4" (121)
 - Sidelite stile width: 3" (76)
 - Bottom rail height: 8 1/8" (206)
 - Bottom rail:
 - Stave core is used for Pine, Cherry, Douglas Fir and Mahogany
 - Laminated veneer lumber (LVL) is used for White Oak
 - Stationary stile and hinged stile:
 - LVL is used for White Oak, Mahogany and Cherry
 - Stave core is used for Pine and Douglas Fir
 - Locking stile: all wood species use LVL
 - Top rail:
 - LVL is used for White Oak
 - Solid wood for Mahogany and Cherry
 - Stave core is used for Pine and Douglas Fir
 - Intermediate rail: solid wood for all species
- UIFD2.25 G2 Panel thickness: 2 1/4" (57)
 - Top rail height and stile width: 4 3/4" (121)
 - Sidelite stile width: 3" (76)
 - Bottom rail height: 8 1/8" (206)
 - Bottom rail, stationary stile, locking stile, hinged stile and top rail for all species use LVL
 - Intermediate rail: solid face laminated
 - Interior glazing profile: Ogee (with Simulated Putty exterior glazing profile)
 - Optional interior glazing profile: Square (with Simulated Putty exterior glazing profile)

Raised/Flat Panel Option:

- Standard stamped raised panel uses .080" (2) aluminum to the exterior with foam backing
- Core is medium density fiberboard (MDF) with non finger-jointed wood laminated to the interior

Unit Features

Hardware:

- Multi-point lock: applied to active and inactive panels, 2 3/8" (60) backset, with latch engagement and three locking points, with options of non-keyed or keyed alike.
 - Dead bolt
 - Head jamb bolt
 - Sill bolt
- Optional prep for passage latch with deadbolt (up to CN70 height)
- Optional no lock/no bore (up to CN70 height)
- Optional lever handle set active, inactive

Handle Sets:

- Traditional handle set finish options:
 - Powder coat finishes: Satin Taupe, White, Dark Bronze, Matte Black
 - Metal finishes: Satin Chrome, Polished Chrome, Antique Brass, Oil Rubbed Bronze
 - PVD finishes: Brass PVD, Oil Rubbed Bronze PVD, Satin Nickel PVD
- Contemporary handle set finish options:
 - Painted finishes: Matte Black, Dark Bronze,
 - PVD finishes: Oil Rubbed Bronze PVD, Satin Nickel PVD
- Minimalist handle set finish options:
 - Painted finishes: Matte Black, Dark Bronze,
 - PVD finishes: Oil-Rubbed Bronze, Satin Nickel
- Gallery Collection Hardware
 - Ashley Norton
 - Bouvet
 - Rocky Mountain Hardware
 - Reference marvin.com

Hinges:

- Adjustable hinges
 - Powder coat finish: Satin Taupe, Gold Tone, Dark Bronze, Silver Frost, White, Matte Black
 - Metal finishes: Satin Chrome, Polished Chrome, Antique Brass, Oil Rubbed Bronze
 - PVD finishes: Brass PVD, Oil Rubbed Bronze PVD, Satin Nickel PVD
 - Dimensions are 4 1/4"(108) x 3 3/4"(95) with 3/8"(10) radius corners
 - Adjustment is 3/16"(5) for horizontal and vertical of panels in frame
 - Quantity per panel
 - up to CN80 height = three hinges per panel
 - Greater than CN80 height and up to CN90 height = four hinges per panel
 - Greater than CN90 height = five hinges per panel

Optional Screens:

- Ultimate sliding screen
 - Pull includes Internal locking mechanism
 - Color: Black
 - Screen color will match exterior frame color of clad units
 - Standard screen mesh: charcoal fiberglass
 - Optional screen mesh: bronze, charcoal aluminum, silver aluminum black aluminum, or Marvin Bright View
- Ultimate swinging screen
 - Four concealed hinges per panel are factory installed within the Z-bar
 - Handle includes latch with exterior handle and internal locking mechanism
 - Standard is contemporary exterior handle with option of traditional exterior handle
 - Colors: Bronze, Satin Nickel, Brass, or Satin Taupe
 - Screen color will match exterior frame color of clad units
 - Standard screen mesh: charcoal fiberglass
 - Optional screen mesh: bronze, charcoal aluminum, silver aluminum, black aluminum

Unit Features Continued**Glass and Glazing:**

- Glazing seal: Silicone glazed
- Standard glass: Insulating Dual Pane Low E2 with Argon or Air
- Gas fill: Air or Argon
- Inswing French Door G2
 - Dual-pane insulating glass thickness: 3/4"
- Inswing French Door G2
 - Dual-pane insulating glass thickness: 15/16"
 - Triple-pane insulating glass thickness: 1 1/4"
- Insulating glass coatings
 - Low E1
 - Low E2
 - Low E3
 - Low ERS
 - Low ELR
- Available glass types:
 - Laminated
 - Tempered
 - Obscure
- Tints:
 - Bronze
 - Gray
 - Green
 - Reflective Bronze
- Decorative glass options:
 - Frost
 - 1/2 English Reed
 - Rain
 - Sandblasted
 - Glue Chip
- All glass is of select quality complying with ASTM C 1036. Tempered or Laminated safety glazing per CPSC 16 CFR 1201. Insulating glass is manufactured and tested to pass level ASTM 2190 and is IGCC certified.
- IZ3 product requires laminated, tempered glass
- For additional specialty glazing options, please contact your Marvin representative.

Lock Status Sensor (Optional):

- Refer to **Lock Status Sensor Installation Instructions** for requirements.
- To achieve a closed and locked status, The Lock Status Sensor requires that the door must be closed to depress the anti-slam mechanism so that the door can be manually locked. It allows easy integration with home automation systems using a wireless connection.
 - Requires purchase of secondary transmitter for operation. Marvin will prep for this option. Wired connection not available.
- Wireless Lock Status Sensor is located within the width and height of the operating panel.
 - Sensor Location will always be integrated into the locking hardware system.

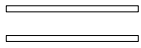
Weather Strip:

- Weather strip at all panel perimeter points
- Color: Black

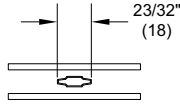
Mulling:

- For mull performance, refer to the General Mulling chapter of the ADM.

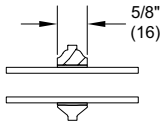
Divided Lite Options



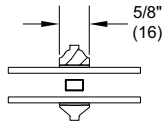
Insulating Glass



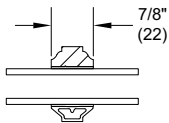
Aluminum 23/32"
Contour GBG



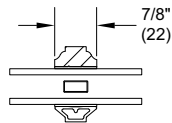
5/8" SDL



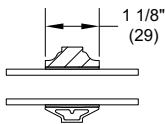
5/8" SDL
W/Spacer



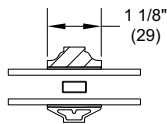
7/8" SDL



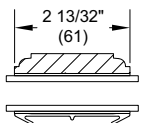
7/8" SDL
W/Spacer Bar



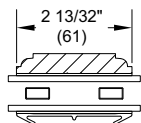
1 1/8" SDL



1 1/8" SDL
W/Spacer Bar

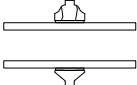
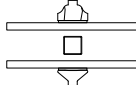
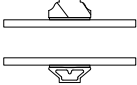
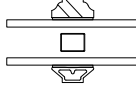
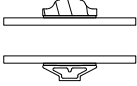
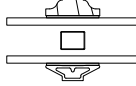
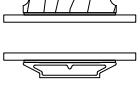
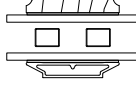


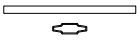


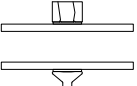
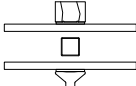
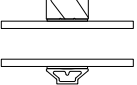
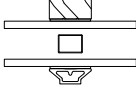
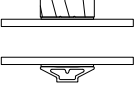
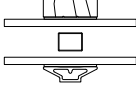
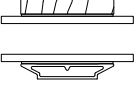
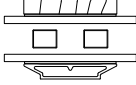


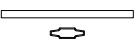
2 13/32" SDL



2 13/32" SDL
W/Two Spacer Bars

Divided Lite Options

Ogee Interior and Simulated Putty Exterior Divided Lites		
SDL	No Spacer Bar	with Spacer Bar
5/8 in [16 mm]		
7/8 in [22 mm]		
1 1/8 in [29 mm]		
1 15/16 in [49 mm]		
4 3/4 in [120 mm] *		
GBG		
23/32 in [18 mm]		

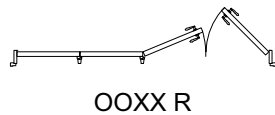
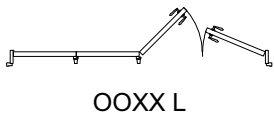
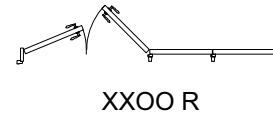
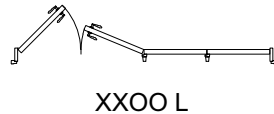
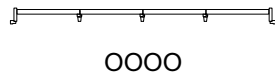
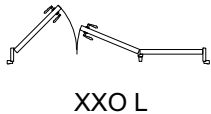
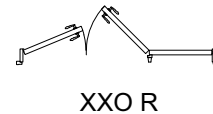
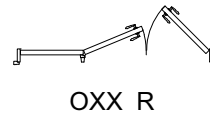
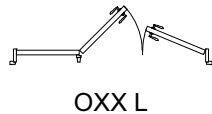
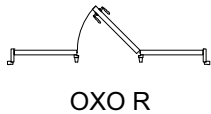
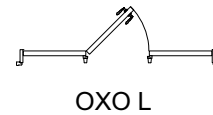
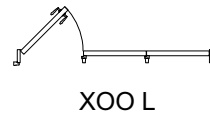
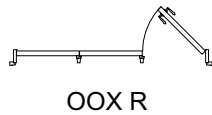
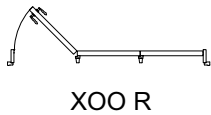
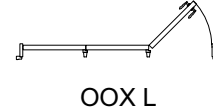
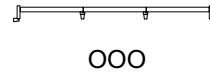
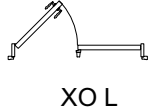
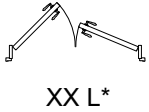
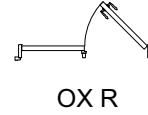
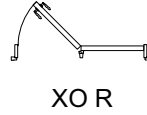
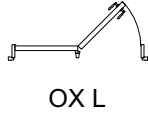
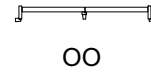
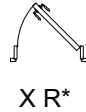
Square Interior and Simulated Putty Exterior Divided Lites		
SDL	No Spacer Bar	with Spacer Bar
5/8 in [16 mm]		
7/8 in [22 mm]		
1 1/8 in [29 mm]		
1 15/16 in [49 mm]		
4 3/4 in [121 mm] *		
GBG		
23/32 in [18 mm]		

*4 3/4" (121mm) is available for Transom Simulated Stiles Only.

NOTE: Due to the inherent qualities of tempered glass, daylight gaps may be seen when using simulated divided lite bars. Daylight gaps could be visible between the internal spacer bar and surface applied bars when viewing from an acute angle to the glass on the following applications:

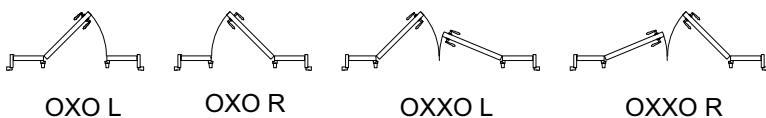
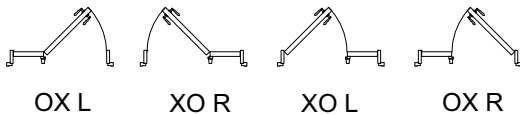
- Tempered glass over 72" high while using 5/8" SDL bars
- Tempered glass over 91" high while using 7/8" SDL bars.

Inswing Handing Configurations



Unequal Configurations With Sidelites

* IZ3 available on O, X and XX options



* IZ3 available on O, X, and XX configurations.

Standard Unit Measurements

Standard Inswing and Outswing Unit Measurements															
Width															
Unit Type	CN	Masonry Opening		Rough Opening		Frame Size		Panel OM		Daylight Std Opening		Standard Glass Size		Contemporary Glass Size	
		ft - in	mm	ft - in	mm	ft - in	mm	ft-in	mm	ft - in	mm	in	mm	in	mm
1 Panel	1-6	1-8 11/32	(517)	1-8 27/32	(529)	1-7 27/32	(504)	1-5 15/32	(444)	0-11 1/2	(292)	12 3/4	(324)	12 3/4	(324)
	2-6R	2-7 1/8	(791)	2-7 5/8	(803)	2-6 5/8	(778)	2-4 1/4	(718)	1-6 25/32	(477)	20 1/32	(509)	20 1/32	(509)
	3-0R	3-1 1/8	(943)	3-1 5/8	(956)	3-0 5/8	(930)	2-10 1/4	(870)	2-0 25/32	(629)	26 1/32	(661)	26 1/32	(661)
	2-0	2-1 15/16	(659)	2-2 7/16	(672)	2-1 7/16	(646)	1-11 1/16	(586)	1-1 19/32	(345)	14 27/32	(377)	14 27/32	(377)
	2-6	2-7 15/16	(811)	2-8 7/16	(824)	2-7 7/16	(799)	2-5 1/16	(738)	1-7 19/32	(498)	20 27/32	(529)	20 27/32	(529)
	2-8	2-9 15/16	(862)	2-10 7/16	(875)	2-9 7/16	(849)	2-7 1/16	(789)	1-9 19/32	(548)	22 27/32	(580)	22 27/32	(580)
	3-0	3-1 15/16	(964)	3-2 7/16	(976)	3-1 7/16	(951)	2-11 1/16	(891)	2-1 19/32	(650)	26 27/32	(682)	26 27/32	(682)
	3-6	3-7 15/16	(1116)	3-8 7/16	(1129)	3-7 7/16	(1103)	3-5 1/16	(1043)	2-7 19/32	(802)	32 27/32	(834)	32 27/32	(834)
2 Panel	5-0R*	4-11 1/2	(1511)	5-0	(1524)	4-11	(1499)	2-4 1/4	(718)	1-6 25/32	(477)	20 1/32	(509)	20 1/32	(509)
	6-0R*	5-11 1/2	(1816)	6-0	(1829)	5-11	(1803)	2-10 1/4	(870)	2-0 25/32	(629)	26 1/32	(661)	26 1/32	(661)
	4-0	4-1 1/8	(1248)	4-1 5/8	(1260)	4-0 5/8	(1235)	1-11 1/16	(586)	1-1 19/32	(345)	14 27/32	(377)	14 27/32	(377)
	5-0	5-1 1/8	(1553)	5-1 5/8	(1565)	5-0 5/8	(1540)	2-5 1/16	(738)	1-7 19/32	(498)	20 27/32	(529)	20 27/32	(529)
	5-4	5-5 1/8	(1654)	5-5 5/8	(1667)	5-4 5/8	(1641)	2-7 1/16	(789)	1-9 19/32	(548)	22 27/32	(580)	22 27/32	(580)
	6-0	6-1 1/8	(1857)	6-1 5/8	(1870)	6-0 5/8	(1845)	2-11 1/16	(891)	2-1 19/32	(650)	26 27/32	(682)	26 27/32	(682)
	7-0	7-1 1/8	(2162)	7-1 5/8	(2175)	7-0 5/8	(2149)	3-5 1/16	(1043)	2-7 19/32	(802)	32 27/32	(834)	32 27/32	(834)
3 Panel	9-0R	8-9 7/8	(2689)	8-10 3/8	(2702)	8-9 3/8	(2677)	2-10 1/4	(870)	2-0 25/32	(629)	26 1/32	(661)	26 1/32	(661)
	6-0	6-0 5/16	(1837)	6-0 13/16	(1849)	5-11 13/16	(1824)	1-11 1/16	(586)	1-1 19/32	(345)	14 27/32	(377)	14 27/32	(377)
	7-6	7-6 5/16	(2294)	7-6 13/16	(2307)	7-5 13/16	(2281)	2-5 1/16	(738)	1-7 19/32	(498)	20 27/32	(529)	20 27/32	(529)
	8-0	8-0 5/16	(2446)	8-0 13/16	(2459)	7-11 13/16	(2434)	2-7 1/16	(789)	1-9 19/32	(548)	22 27/32	(580)	22 27/32	(580)
	9-0	9-0 5/16	(2751)	9-0 13/16	(2764)	8-11 13/16	(2738)	2-11 1/16	(891)	2-1 19/32	(650)	26 27/32	(682)	26 27/32	(682)
	10-6	10-6 5/16	(3208)	10-6 13/16	(3221)	10-5 13/16	(3196)	3-5 1/16	(1043)	2-7 19/32	(802)	32 27/32	(834)	32 27/32	(834)
4 Panel	8-0	7-11 1/2	(2426)	8-0	(2438)	7-11	(2413)	1-11 1/16	(586)	1-1 19/32	(345)	14 27/32	(377)	14 27/32	(377)
	10-0	9-11 1/2	(3035)	10-0	(3048)	9-11	(3023)	2-5 1/16	(738)	1-7 19/32	(498)	20 27/32	(529)	20 27/32	(529)
	10-8	10-7 1/2	(3239)	10-8	(3251)	10-7	(3226)	2-7 1/16	(789)	1-9 19/32	(548)	22 27/32	(580)	22 27/32	(580)
	12-0	11-11 1/2	(3645)	12-0	(3658)	11-11	(3632)	2-11 1/16	(891)	2-1 19/32	(650)	26 27/32	(682)	26 27/32	(682)
	14-0	13-11 1/2	(4255)	14-0	(4267)	13-11	(4242)	3-5 1/16	(1043)	2-7 19/32	(802)	32 27/32	(834)	32 27/32	(834)
Height															
Unit Type	CN	Masonry Opening		Rough Opening		Frame Size		Panel OM		Daylight Std Opening		Standard Glass Size		Contemporary Glass Size	
		ft - in	mm	ft - in	mm	ft - in	mm	ft-in	mm	ft - in	mm	in	mm	in	mm
All Configurations	6-6R	6-7 3/4	(2026)	6-8	(2032)	6-7 1/2	(2019)	6-4 39/64	(1946)	5-3 47/64	(1794)	65 3/64	(1828)	68 27/64	(1738)
	6-8	6-10 1/4	(2089)	6-10 1/2	(2096)	6-10	(2083)	6-7 7/64	(2009)	5-6 15/64	(1858)	67 35/64	(1891)	70 59/64	(1801)
	7-0	7-2 1/4	(2191)	7-2 1/2	(2197)	7-2	(2184)	6-11 7/64	(2111)	5-10 15/64	(1959)	71 35/64	(1993)	74 59/64	(1903)
	8-0	8-2 1/4	(2496)	8-2 1/2	(2502)	8-2	(2489)	7-11 7/64	(2416)	6-10 15/64	(2264)	83 35/64	(2298)	86 59/64	(2208)
	9-0	9-2 1/4	(2800)	9-2 1/2	(2807)	9-2	(2794)	8-11 7/64	(2721)	7-10 15/64	(2569)	95 35/64	(2602)	98 59/64	(2513)
	10-0	10-2 1/4	(3105)	10-2 1/2	(3112)	10-2	(3099)	9-11 7/64	(3025)	8-10 15/64	(2874)	107 35/64	(2907)	110 59/64	(2817)

Standard Unit Measurement - In-Sash Transom

Standard In-Sash Transom Unit Measurements													
Width													
Unit Type	Call Number	Masonry Opening		Rough Opening		Frame Size		Sash OM		Daylight Opening		Glass Size	
		ft - in	mm	ft - in	mm	ft - in	mm	ft-in	mm	ft - in	mm	ft - in	mm
1 Sash 1 Frame	1-6	1-8 11/32	(517)	1-8 27/32	(529)	1-7 27/32	(504)	1-5 15/32	(444)	0-8	(203)	9 1/4	(235)
	2-0	2-1 15/16	(659)	2-2 7/16	(672)	2-1 7/16	(646)	1-11 1/16	(586)	1-1 19/32	(345)	14 27/32	(377)
	2-6	2-7 15/16	(811)	2-8 7/16	(824)	2-7 7/16	(799)	2-5 1/16	(738)	1-7 19/32	(498)	20 27/32	(529)
	2-8	2-9 15/16	(862)	2-10 7/16	(875)	2-9 7/16	(849)	2-7 1/16	(789)	1-9 19/32	(548)	22 27/32	(580)
	3-0	3-1 15/16	(964)	3-2 7/16	(976)	3-1 7/16	(951)	2-11 1/16	(891)	2-1 19/32	(650)	26 27/32	(682)
	3-6	3-7 15/16	(1116)	3-8 7/16	(1129)	3-7 7/16	(1103)	3-5 1/16	(1043)	2-7 19/32	(802)	32 27/32	(834)
	4-0	4-1 1/8	(1248)	4-1 5/8	(1260)	4-0 5/8	(1235)	3-10 1/4	(1175)	3-0 25/32	(934)	38 1/32	(966)
	5-0	5-1 1/8	(1553)	5-1 5/8	(1565)	5-0 5/8	(1540)	4-10 1/4	(1480)	4-0 25/32	(1239)	50 1/32	(1271)
	5-4	5-5 1/8	(1654)	5-5 5/8	(1667)	5-4 5/8	(1641)	5-2 1/4	(1581)	4-4 25/32	(1341)	54 1/32	(1372)
	6-0	6-1 1/8	(1857)	6-1 5/8	(1870)	6-0 5/8	(1845)	5-10 1/4	(1784)	5-0 25/32	(1544)	62 1/32	(1576)
7-0	7-1 1/8	(2162)	7-1 5/8	(2175)	7-0 5/8	(2149)	6-10 1/4	(2089)	6-0 25/32	(1849)	74 1/32	(1880)	
2 Sash 1 Frame	4-0	4-1 1/8	(1248)	4-1 5/8	(1260)	4-0 5/8	(1235)	1-11 1/16	(586)	1-1 19/32	(345)	14 27/32	(377)
	5-0	5-1 1/8	(1553)	5-1 5/8	(1565)	5-0 5/8	(1540)	2-5 1/16	(738)	1-7 19/32	(498)	20 27/32	(529)
	5-4	5-5 1/8	(1654)	5-5 5/8	(1667)	5-4 5/8	(1641)	2-7 1/16	(789)	1-9 19/32	(548)	22 27/32	(580)
	6-0	6-1 1/8	(1857)	6-1 5/8	(1870)	6-0 5/8	(1845)	2-11 1/16	(891)	2-1 19/32	(650)	26 27/32	(682)
	7-0	7-1 1/8	(2162)	7-1 5/8	(2175)	7-0 5/8	(2149)	3-5 1/16	(1043)	2-7 19/32	(802)	32 27/32	(834)
3 Sash 1 Frame	6-0	6-0 5/16	(1837)	6-0 13/16	(1849)	5-11 13/16	(1824)	1-11 1/16	(586)	1-1 19/32	(345)	14 27/32	(377)
	7-6	7-6 5/16	(2294)	7-6 13/16	(2307)	7-5 13/16	(2281)	2-5 1/16	(738)	1-7 19/32	(498)	20 27/32	(529)
	8-0	8-0 5/16	(2446)	8-0 13/16	(2459)	7-11 13/16	(2434)	2-7 1/16	(789)	1-9 19/32	(548)	22 27/32	(580)
	9-0	9-0 5/16	(2751)	9-0 13/16	(2764)	8-11 13/16	(2738)	2-11 1/16	(891)	2-1 19/32	(650)	26 27/32	(682)
	10-6	10-6 5/16	(3208)	10-6 13/16	(3221)	10-5 13/16	(3196)	3-5 1/16	(1043)	2-7 19/32	(802)	32 27/32	(834)
4 Sash 1 Frame	8-0	7-11 1/2	(2426)	8-0	(2438)	7-11	(2413)	1-11 1/16	(586)	1-1 19/32	(345)	14 27/32	(377)
	10-0	9-11 1/2	(3035)	10-0	(3048)	9-11	(3023)	2-5 1/16	(738)	1-7 19/32	(498)	20 27/32	(529)
	10-8	10-7 1/2	(3239)	10-8	(3251)	10-7	(3226)	2-7 1/16	(789)	1-9 19/32	(548)	22 27/32	(580)
	12-0	11-11 1/2	(3645)	12-0	(3658)	11-11	(3632)	2-11 1/16	(891)	2-1 19/32	(650)	26 27/32	(682)
	14-0	13-11 1/2	(4255)	14-0	(4267)	13-11	(4242)	3-5 1/16	(1043)	2-7 19/32	(802)	32 27/32	(834)
Height													
Unit Type	Call Number	Masonry Opening		Rough Opening		Frame Size		Sash OM		Daylight Opening		Glass Size	
		ft - in	mm	ft - in	mm	ft - in	mm	ft-in	mm	ft - in	mm	ft - in	mm
All Configurations	1-6	1-6 1/4	(464)	1-6 1/2	(470)	1-6	(457)	1-3 5/8	(397)	1-0 13/64	(310)	13 29/64	(342)
	2-0	2-0 1/4	(616)	2-0 1/2	(622)	2-0	(610)	1-9 5/8	(549)	1-6 13/64	(462)	19 29/64	(494)
	2-6	2-6 1/4	(768)	2-6 1/2	(775)	2-6	(762)	2-3 5/8	(702)	2-0 13/64	(615)	25 29/64	(647)

Certified Sizes and Ratings

Product	Air Tested to psf	Water Tested to psf	Structural Tested to psf	Certification Rating	Design Pressure (DP)	Overall Width		Overall Height		Applicable Configurations
						in	mm	in	mm	
Ultimate Inswing French Door G2 3680 (O/SLT)	1.57	6	60	LC-PG40	40	43 7/16	(1103)	98	(2489)	O
Ultimate Inswing French Door G2 12080 (OXXO)	1.57	6	60	LC-PG40	40	143	(3632)	98	(2489)	OXXO
Ultimate Inswing French Door G2 14080 (OXXO)	1.57	4.5	45	LC-PG30	30	167	(4242)	98	(2489)	OXXO
Ultimate Inswing French Door 2.25 G2 12080 (OXXO)	1.57	6	60	LC-PG40	40	143	(3632)	98	(2489)	OXXO
Ultimate Inswing French Door 2.25 G2 14080 (OXXO)	1.57	4.5	45	LC-PG30	30	167	(4242)	98	(2489)	OXXO
Ultimate Inswing French Door 2.25 G2 14080 (OXXO)	1.57	4.5	45	LC-PG30	30	167	(4242)	122	(3099)	OXXO
Ultimate Inswing French Door 2.25 G2 36100 (O)	1.57	7.5	75	LC-PG50	50	43 7/16	(1103)	122	(3099)	O
Ultimate Inswing French Door 2.25 G2 36100 (X)	1.57	7.5	75	LC-PG50	50	43 7/16	(1103)	122	(3099)	X
Ultimate Inswing French Door 2.25 G2 60100 (XX)	1.57	7.5	75	LC-PG50	50	72 5/8	(1845)	122	(3099)	XX
Ultimate Inswing French Door Transom G2 8026 (O)	1.57	6	60	LC-PG40	40	96 5/8	(2454)	30	(762)	O
Ultimate Inswing French Door Transom G2 14026 (OOOO)	1.57	60	60	LC-PG40	40	96 5/8	(2454)	30	(762)	OOOO

NOTE: 3 or 4 panel doors with more than 2 operating panels or more than 2 stationary panels are non-certified.

Certified Sizes and Ratings

IZ3

Product	Air Tested to psf	Water Tested to psf	Structural Tested to psf	Certification Rating	Design Pressure (DP)	Overall Width		Overall Height		Applicable Configurations
						in	mm	in	mm	
Ultimate Inswing French Door 2.25 G2 IZ3 36100 (O & SL)	1.57	9.75	97.5	LC-PG65	65	43 7/16	(1103)	122	(3099)	O
Ultimate Inswing French Door 2.25 G2 IZ3 60100 (XX)	1.57	9.75	97.5	LC-PG65	65	72 5/8	(1845)	122	(3099)	XX
Ultimate Inswing French Door 2.25 G2 IZ3 7080 (XX)	1.57	9.75	97.5	LC-PG65	65	84 5/8	(2149)	98	(2489)	XX
Ultimate Inswing French Door Transom G2 IZ3 8026 (O)	1.57	9.75	97.5	LC-PG65	65	96 5/8	(2454)	30	(762)	O

Accessibility Sill

Product	Air Tested to psf	Water Tested to psf	Structural Tested to psf	Certification Rating	Design Pressure (DP)	Overall Width		Overall Height		Applicable Configurations
						in	mm	in	mm	
Ultimate Inswing French Door G2 14080 (OXXO)	1.57	3.75	37.5	LC-PG25	25	167	(4242)	98	(2489)	OXXO
Ultimate Inswing French Door 2.25 G2 140100 (OXXO)	1.57	3.75	37.5	LC-PG25	25	167	(4242)	122	(3099)	OXXO
Ultimate Inswing French Door 2.25 G2 36100 (X)	1.57	4.5	45	LC-PG30	30	43 7/16	(1103)	122	(3099)	X
Ultimate Inswing French Door G2 3680 (X)	1.57	4.5	45	LC-PG30	30	43 7/16	(1103)	98	(2489)	X

Minimum and Maximum Guidelines - Doors and In-Sash Transom

Ultimate Swinging French Door G2 Minimums and Maximums									
Unit Type		Min Frame Size Unit				Max Frame Size Unit			
		Width		Height		Width		Height	
		in	mm	in	mm	in	mm	in	mm
Sidelite	1 3/4" Panels	16 11/32	(415)	23 7/8	(606)	49 7/16	(1256)	98	(2489)
	2 1/4" Panels	16 11/32	(415)	23 7/8	(606)	49 7/16	(1256)	122	(3099)
Stationary	1 3/4" Panels	19 27/32	(504)	23 7/8	(606)	49 7/16	(1256)	98	(2489)
	2 1/4" Panels	19 27/32	(504)	23 7/8	(606)	49 7/16	(1256)	122	(3099)
1 - PanelOperator	1 3/4" Panels	18 3/32	(460)	54 15/16	(1395)	43 7/16	(1103)	98	(2489)
	2 1/4" Panels	18 3/32	(460)	70 5/16	(1786)	43 7/16	(1103)	122	(3099)
2 - PanelOperator	1 3/4" Panels	33 15/16	(862)	54 15/16	(1395)	84 5/8	(2149)	98	(2489)
	2 1/4" Panels	33 15/16	(862)	70 5/16	(1786)	84 5/8	(2149)	122	(3099)
3 - PanelOperator	1 3/4" Panels	49 25/32	(1264)	54 15/16	(1395)	125 13/16	(3196)	98	(2489)
	2 1/4" Panels	49 25/32	(1264)	70 5/16	(1786)	125 13/16	(3196)	122	(3099)
4 - PanelOperator	1 3/4" Panels	65 5/8	(1667)	54 15/16	(1395)	167	(4242)	98	(2489)
	2 1/4" Panels	65 5/8	(1667)	70 5/16	(1786)	167	(4242)	122	(3099)

Transom Minimum and Maximums									
Unit Type		Min Frame Size Unit				Max Frame Size Unit			
		Width		Height		Width		Height	
		in	mm	in	mm	in	mm	in	mm
Transom	Factory/Field Mullled	14 19/32	(371)	11 3/8	(289)	96 5/8	(2454)	30	(762)
1 Sash 1 Frame	Stand Alone	14 19/32	(371)	11 3/8	(289)	96 5/8	(2454)	30	(762)
Door Transom	Factory/Field Mullled	18 3/32	(460)	11 3/8	(289)	96 5/8	(2454)	30	(762)
1 Sash 1 Frame	Stand Alone	18 3/32	(460)	11 3/8	(289)	96 5/8	(2454)	30	(762)
Transom	Factory/Field Mullled	33 15/16	(862)	11 3/8	(289)	84 5/8	(2149)	30	(762)
2 Sash 1 Frame	Stand Alone	33 15/16	(862)	11 3/8	(289)	191	(4851)	30	(762)
Transom	Factory/Field Mullled	49 25/32	(1264)	11 3/8	(289)	125 13/16	(3196)	30	(762)
3 Sash 1 Frame	Stand Alone	49 25/32	(1264)	11 3/8	(289)	191	(4851)	30	(762)
Transom	Factory/Field Mullled	65 5/8	(1667)	11 3/8	(289)	167	(4242)	30	(762)
4 Sash 1 Frame	Stand Alone	65 5/8	(1667)	11 3/8	(289)	191	(4851)	30	(762)

Measurement Conversions

Unit Measurements		Width			Height	
From	To					
Frame		in	mm		in	mm
OM of Frame	Rough Opening	+ 1	(25)		+ 1/2	(13)
Masonry Opening	Rough Opening	+ 1/2	(13)		+ 1/4	(06)
Masonry Opening w/BMC	Rough Opening	-2 1/8	(54)		-1 1/16	(27)
Masonry Opening w/Flat Casing	Rough Opening	-5 1/2	(140)		-2 3/4	(70)
Operating Panel		in	mm		in	mm
OM of Frame	OM of Panel (x1)	-2 3/8	(60)		-2 57/64	(73)
OM of Frame	OM of Panel (x2)	-2 1/2	(64)	÷ 2	-2 57/64	(73)
OM of Frame	OM of Panel (x3)	-2 5/8	(67)	÷ 3	-2 57/64	(73)
OM of Frame	OM of Panel (x4)	-2 3/4	(70)	÷ 4	-2 57/64	(73)
OM of Frame	OM of Sidelite	-2 3/8	(60)		-2 57/64	(73)
Daylight Opening	OM of Panel - Ultimate Inswing French Door G2	+ 9 15/32	(240)		+ 12 7/8	(327)
Daylight Opening	OM of Panel - Ultimate Inswing Door	+ 5 31/32	(152)		+ 5 31/32	(152)
Daylight Opening	OM of Sidelite	+ 5 31/32	(152)		+ 12 7/8	(327)
Glass		in	mm		in	mm
Daylight Opening	Glass	+ 1 1/4	(32)		+ 1 1/4	(32)

Ultimate Inswing / Outswing French Door Transoms G2						
Unit Measurements		Width			Height	
From	To					
Frame		in	mm		in	mm
OM of Frame	Rough Opening	1	(25)		1/2	(13)
Masonry Opening	Rough Opening	1/2	(13)		1/4	(06)
Masonry Opening w/BMC	Rough Opening	-2 1/8	(54)		-1 1/16	(27)
Masonry Opening w/Flat Ca	Rough Opening	-5 1/2	(140)		-2 3/4	(70)
Sash		in	mm		in	mm
Rough Opening	OM of Panel (x1)	-2 7/8	(76)		-2 7/8	(73)
Rough Opening	OM of Panel (x2)	-3 1/2	(89)	÷ 2	-2 7/8	(73)
Rough Opening	OM of Panel (x3)	-3 5/8	(92)	÷ 3	-2 7/8	(73)
Rough Opening	OM of Panel (x4)	-3 3/4	(95)	÷ 4	-2 7/8	(73)
Rough Opening	OM of Sidelite	-3 3/8	(86)		-2 7/8	(73)
Glass	Sash OM	2 11/64	(55)		2 11/64	(55)
Glass	OM of Sidelite	4 23/32	(86)		2 11/64	(55)
Glass		in	mm		in	mm
Rough Opening	Glass	-4 7/16	(113)		-4 7/16	(113)

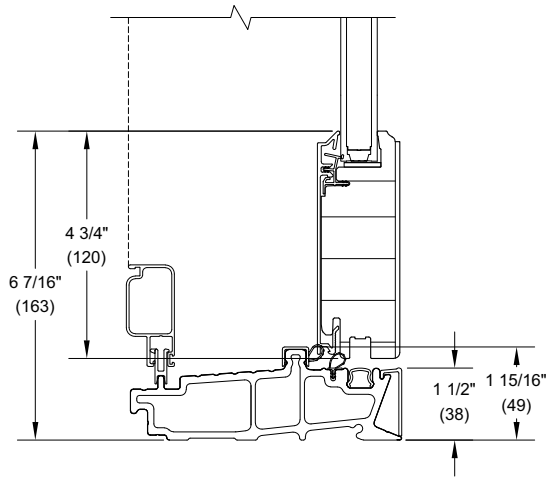
Net Clear Openings: Inswing Units

Net Clear Opening Ultimate Inswing French Door G2 1.75			
Width			
Unit Type	Call Number	Net Clear Openings	
		ft-in	mm
1 Panel Operator	2-6R	2-1 1/4	(642)
	3-0R	2-7 1/4	(794)
	2-0	1-8 1/16	(510)
	2-6	2-2 1/16	(662)
	2-8	2-4 1/16	(713)
	3-0	2-8 1/16	(815)
	3-6	3-2 1/16	(967)
2 Panel Operator	5-0R*	4-3 9/16	(1310)
	6-0R*	5-3 9/16	(1614)
	4-0	3-5 3/16	(1046)
	5-0	4-5 3/16	(1351)
	5-4	4-9 3/16	(1453)
	6-0	5-5 3/16	(1656)
	7-0	6-5 3/16	(1656)
Height			
Unit Type	Call Number	Net Clear Openings	
		ft - in	mm
All Configurations	6-6R	6-3 27/32	(1926)
	6-8	6-6 11/32	(1990)
	7-0	6-10 11/32	(2091)
	8-0	7-7 27/32	(2333)
	9-0	8-7 27/32	(2638)

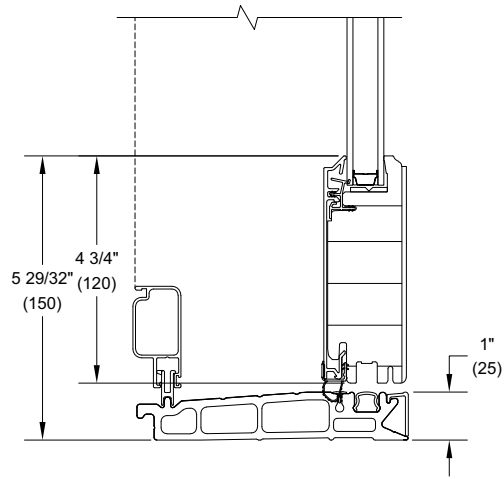
Net Clear Opening Ultimate Inswing French Door 2.25 G2 and Ultimate Inswing Door 2.25			
Width			
Unit Type	Call Number	Net Clear Openings	
		ft-in	mm
1 Panel Operator	2-6R	2-0 3/4	(629)
	3-0R	2-6 3/4	(781)
	2-0	1-7 9/16	(497)
	2-6	2-1 9/16	(649)
	2-8	2-3 9/16	(700)
	3-0	2-7 9/16	(802)
	3-6	3-1 9/16	(954)
2 Panel Operator	5-0R*	4-2 9/16	(1284)
	6-0R*	5-2 9/16	(1589)
	4-0	3-4 3/16	(1021)
	5-0	4-4 3/16	(1326)
	5-4	4-8 3/16	(1427)
	6-0	5-4 3/16	(1630)
	7-0	6-4 3/16	(1630)
Height			
Unit Type	Call Number	Net Clear Openings	
		ft - in	mm
All Configurations	6-6R	6-3 27/32	(1926)
	6-8	6-3 27/32	(1990)
	7-0	6-6 11/32	(2091)
	8-0	6-10 11/32	(2333)
	9-0	7-7 27/32	(2638)

Inswing Section Details: Sill Options

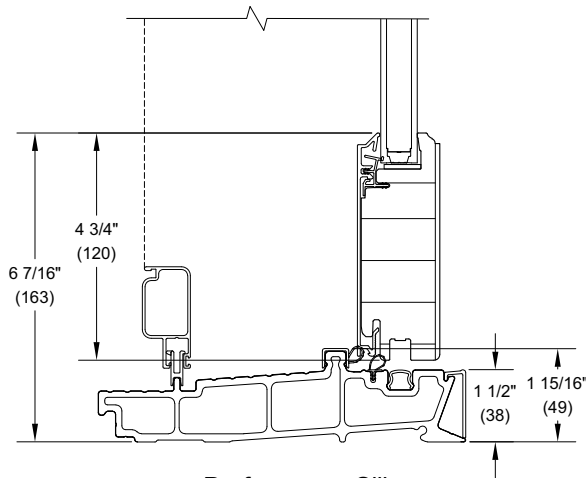
Scale: 3" = 1' 0"



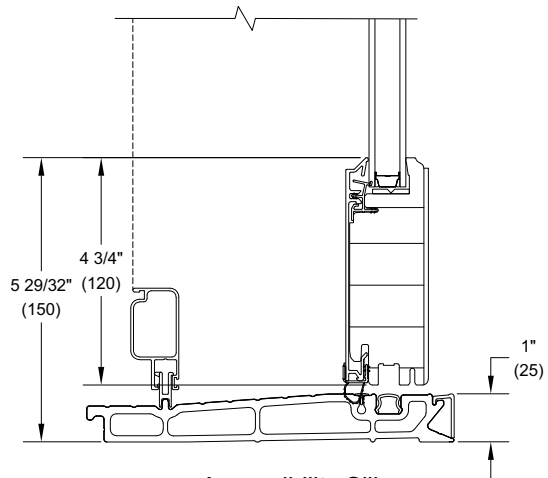
Performance Sill
4 9/16" Jamb



Accessibility Sill
4 9/16" Jamb



Performance Sill
6 9/16" Jamb

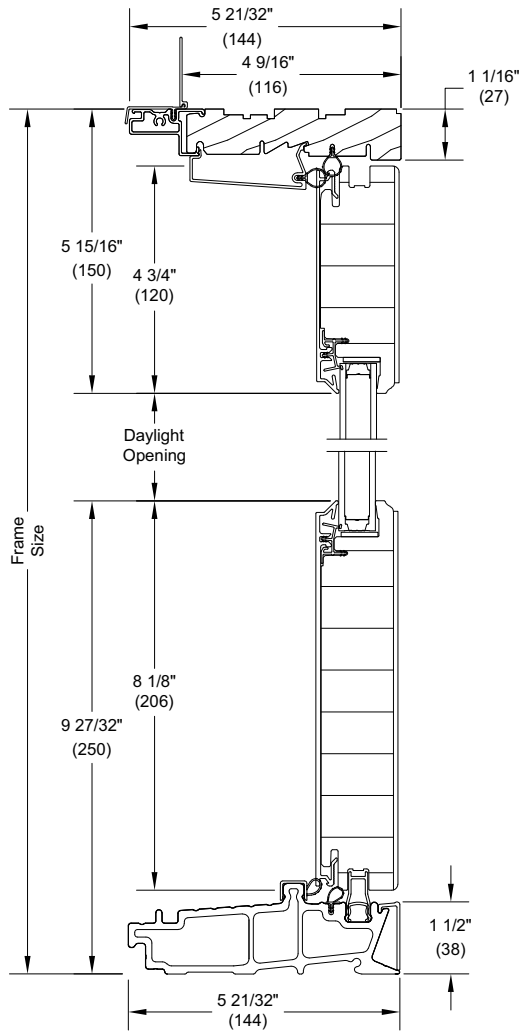


Accessibility Sill
6 9/16" Jamb

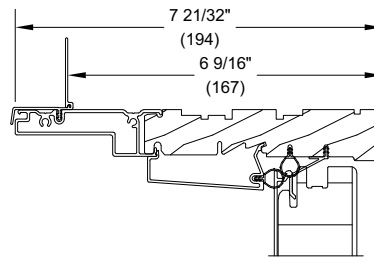
NOTE: Following section details show the Performance Sill, however, each detail is available with the Accessibility Sill. Accessibility Sill is not ADA compliant as delivered. Not available with IZ3.

Inswing Section Details: Operating (1 3/4" Panels)

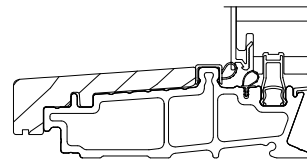
Scale: 3" = 1' 0"



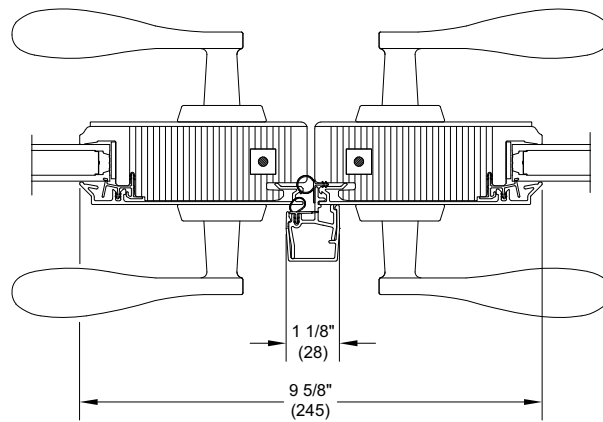
4 9/16" Head Jamb and Sill



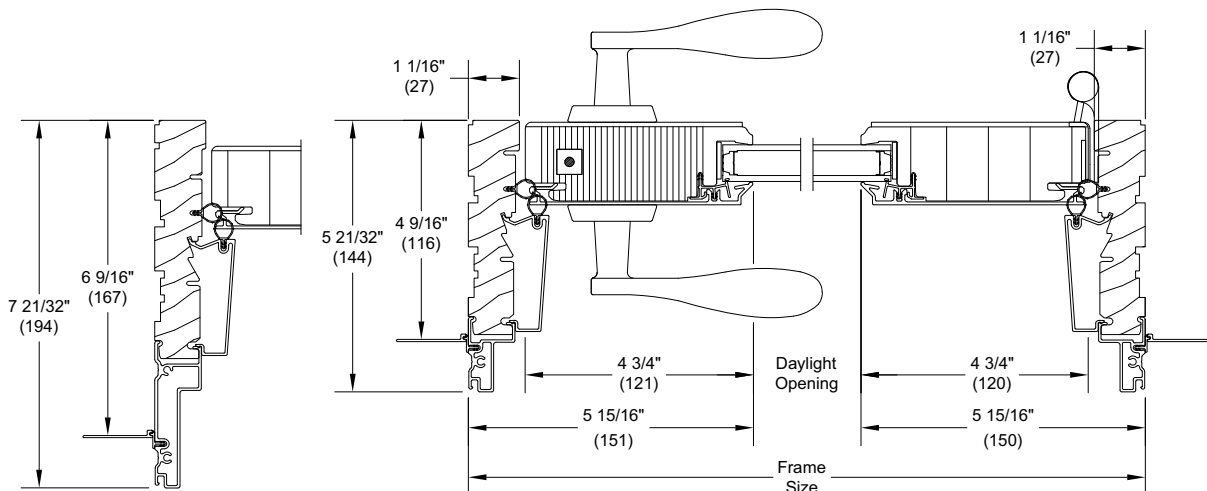
6 9/16" Head Jamb



4 9/16" Sill with Sill Cover



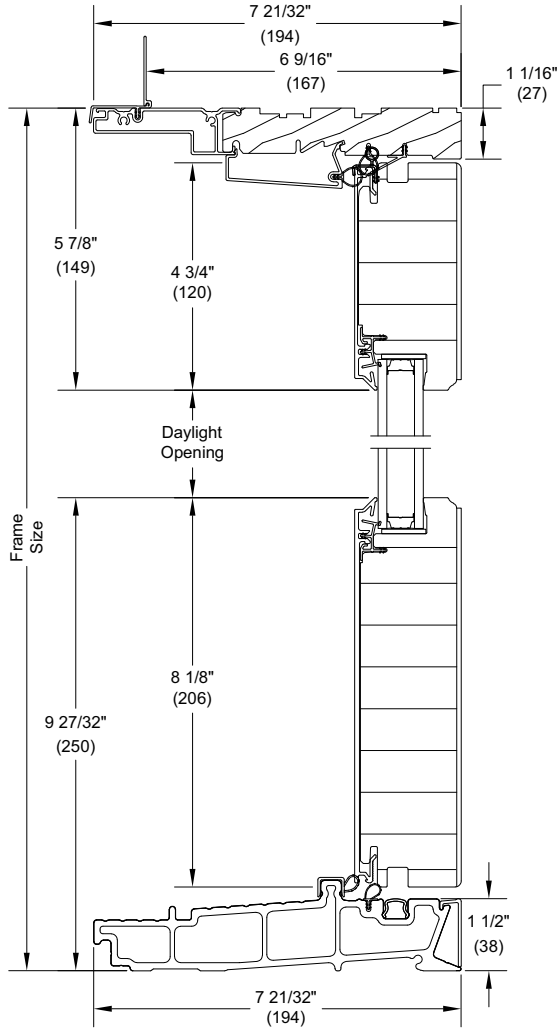
XX L - Meeting Stiles



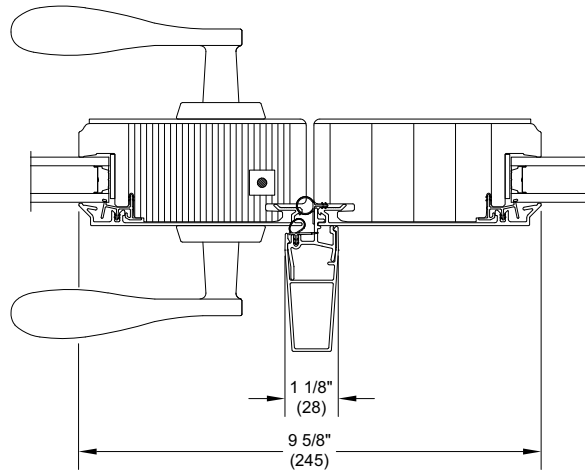
6 9/16" Jamb

4 9/16" X R Jamb

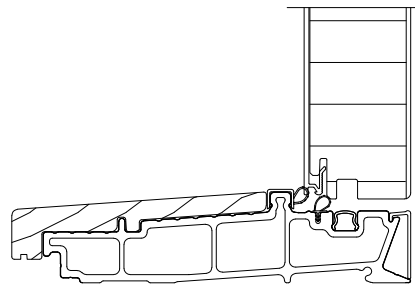
Inswing Section Details: Operating (2 1/4" Panels)



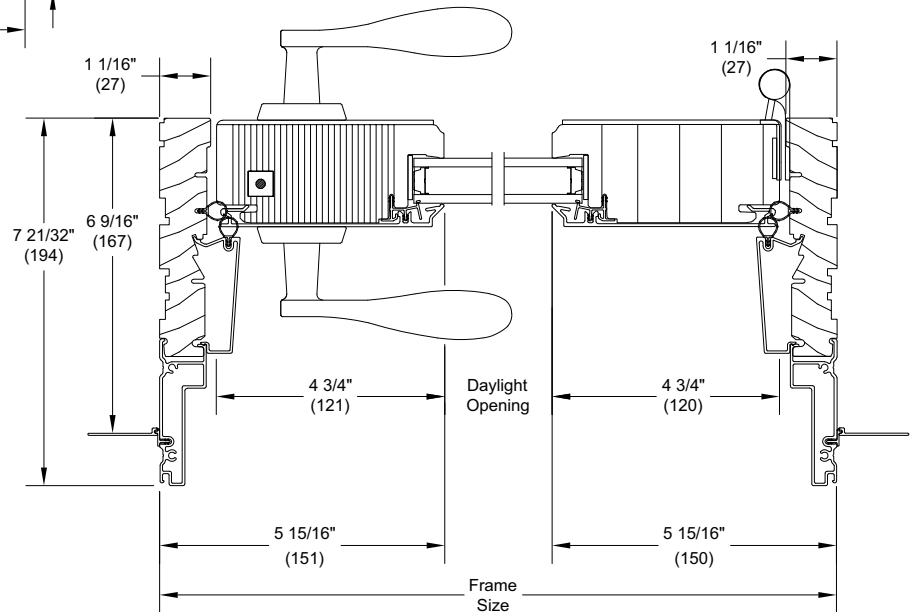
6 9/16" Head Jamb and Sill



XO L - Meeting Stiles

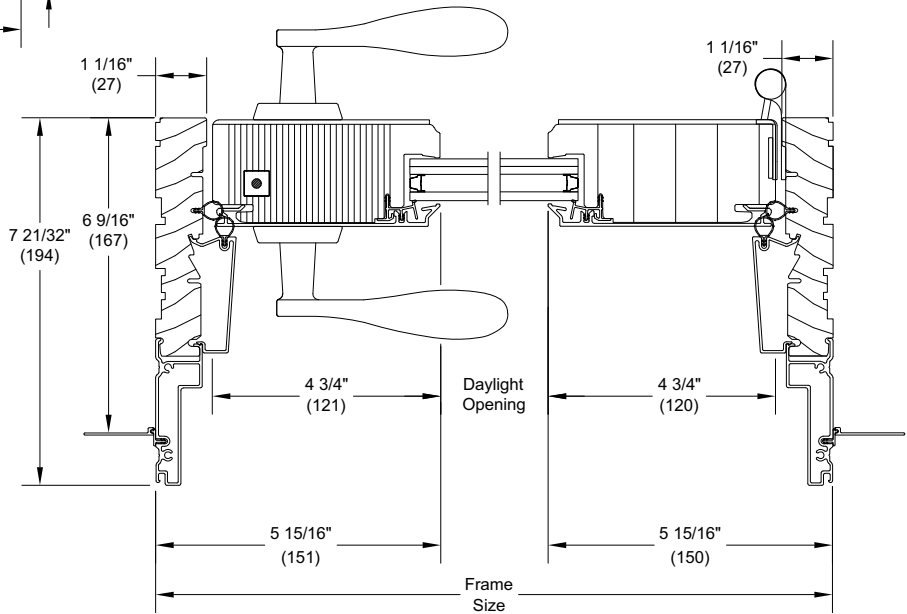
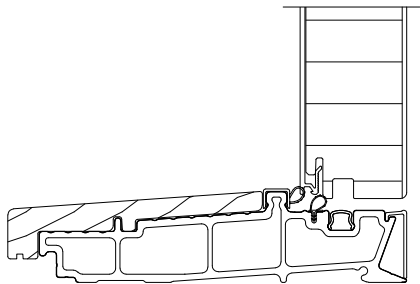
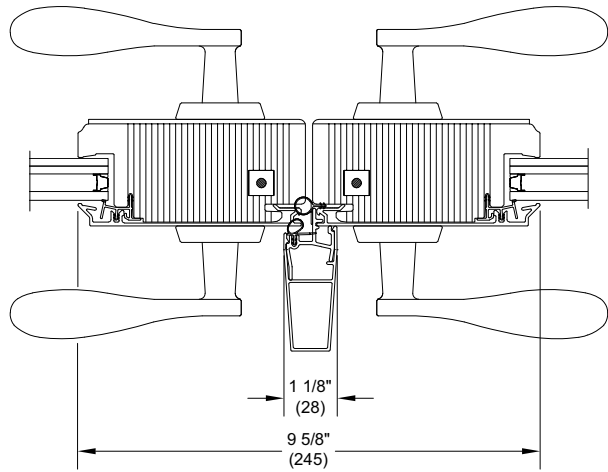
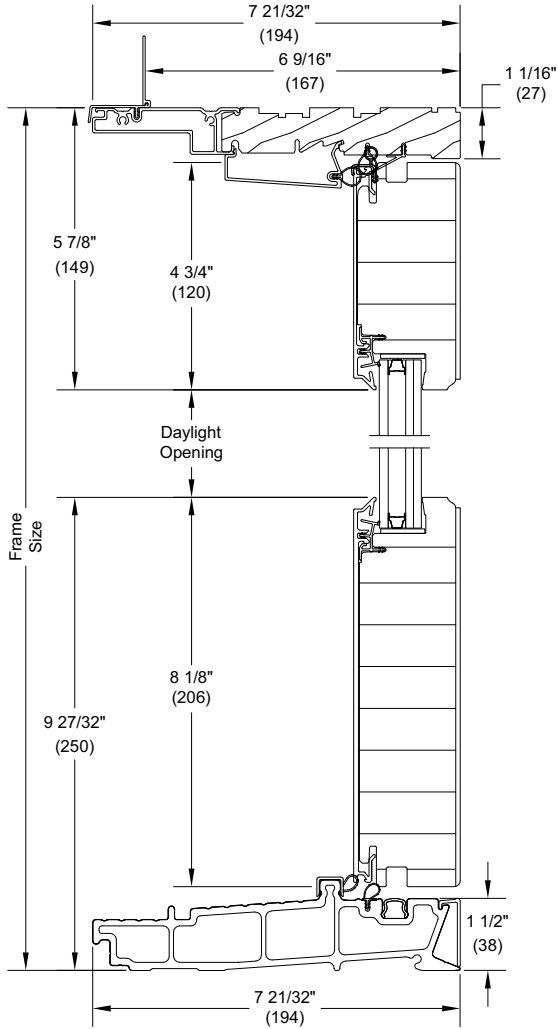


6 9/16" Sill with Sill Cover

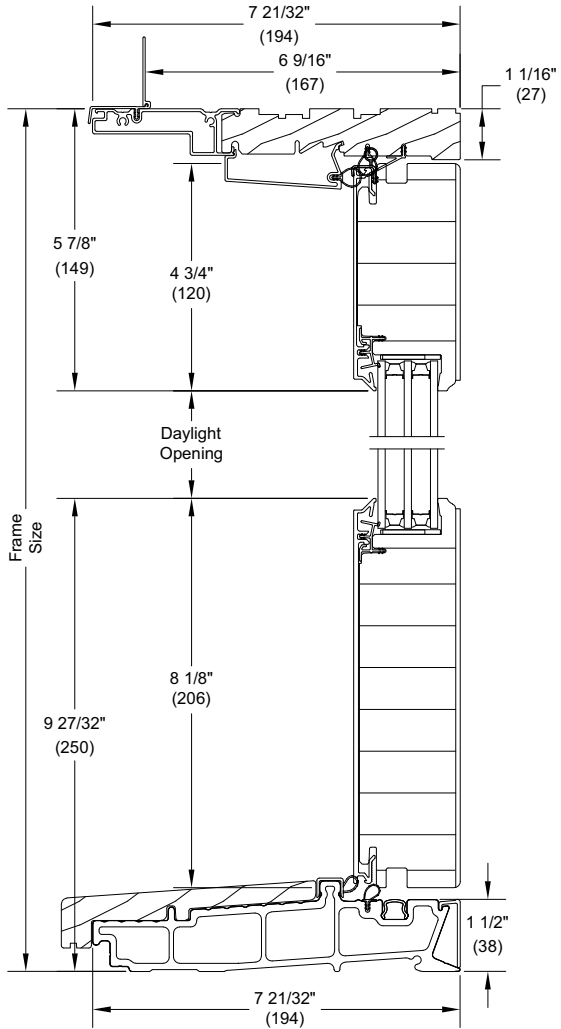


6 9/16" X R Jamb

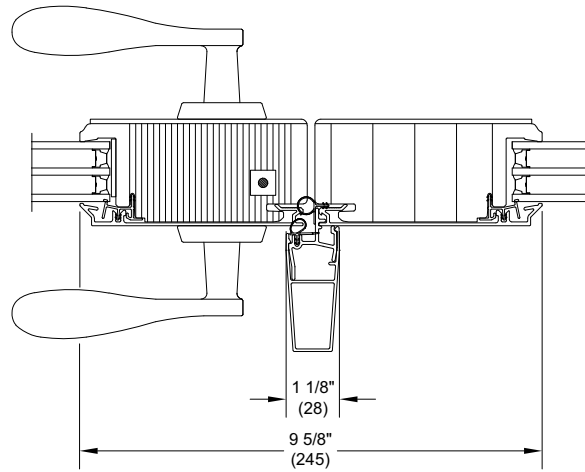
Inswing Section Details: Operating IZ3 (2 1/4" Panels)



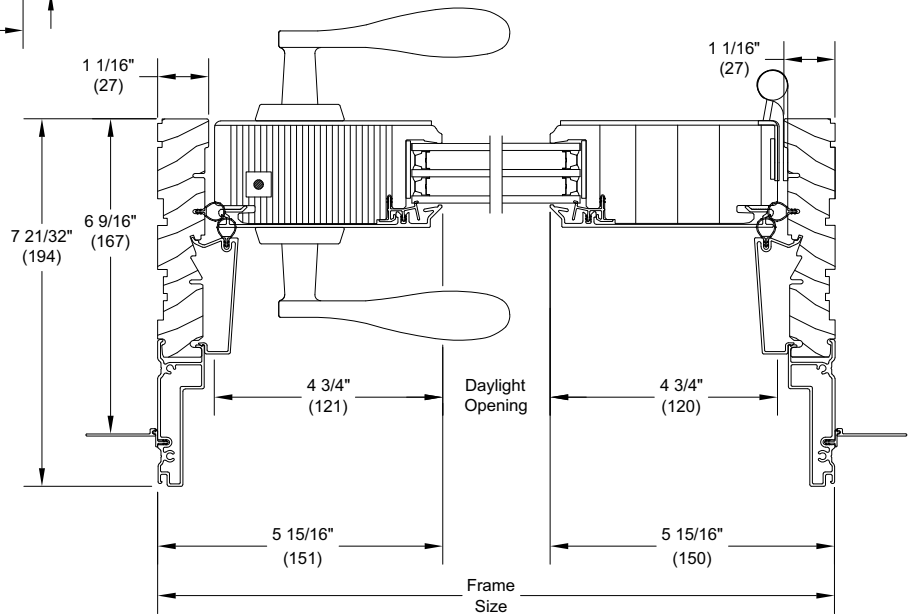
Inswing Section Details: Operating (Tripane, 2 1/4" Panels Only)



6 9/16" Head Jamb and Sill



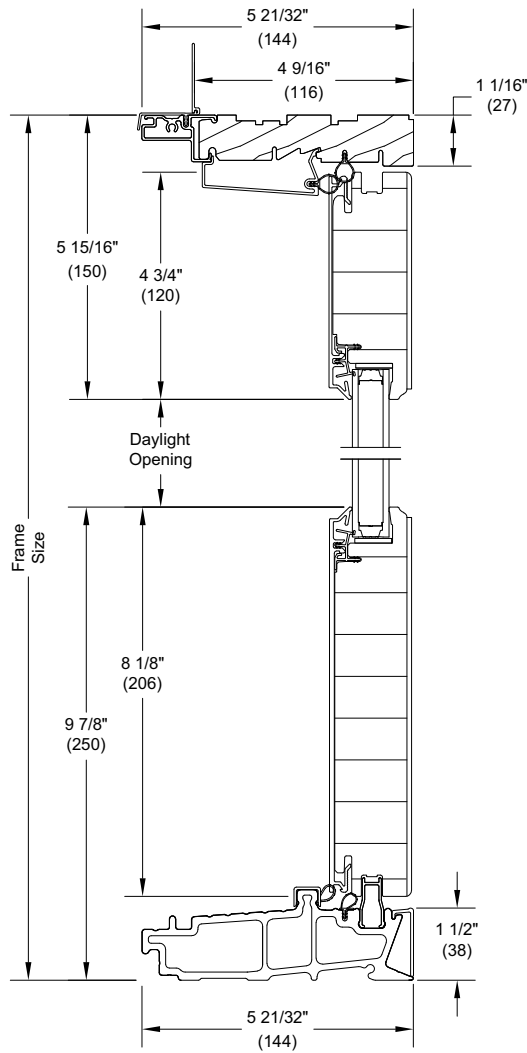
XO L - Meeting Stiles



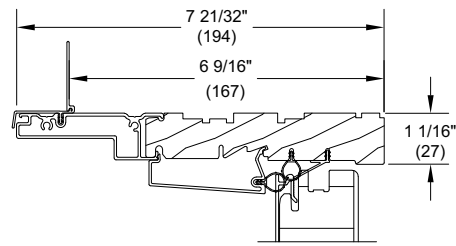
6 9/16" X R Jamb

Inswing Section Details: Stationary (1 3/4" Panels)

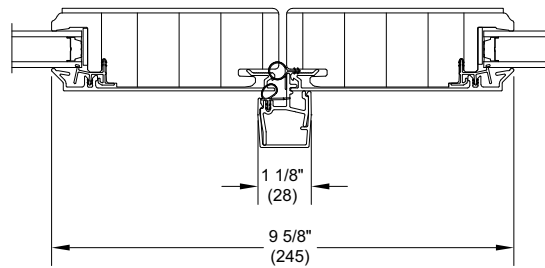
Scale: 3" = 1' 0"



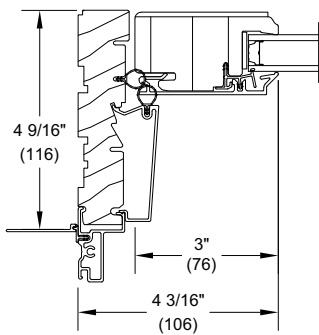
4 9/16" Head Jamb and Sill



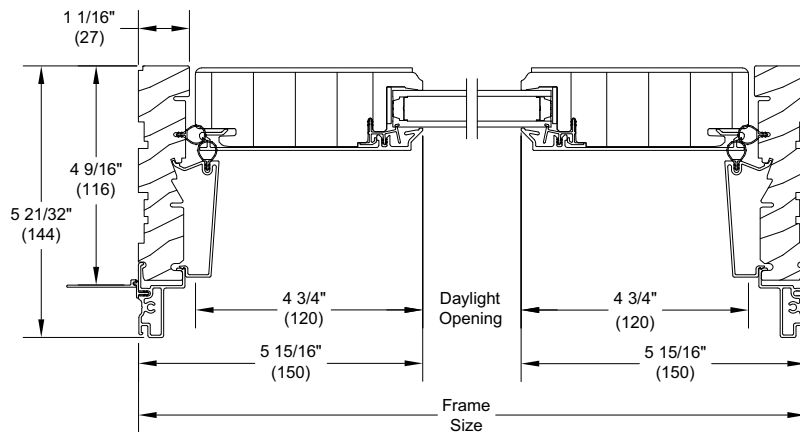
6 9/16" Head Jamb



OO - Meeting Stiles

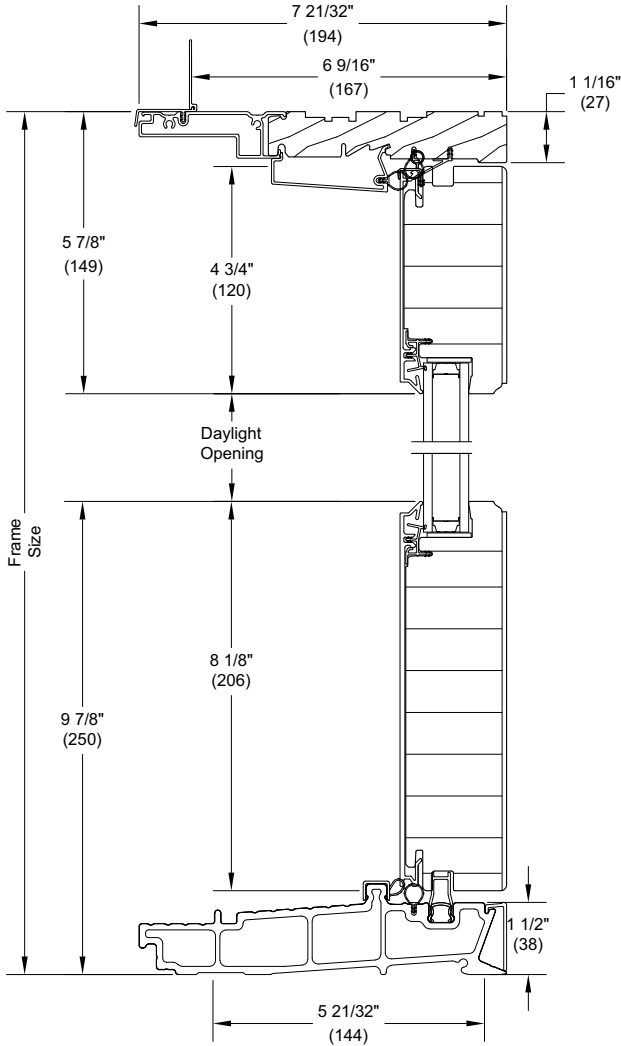


6 9/16" Sidelite Jamb

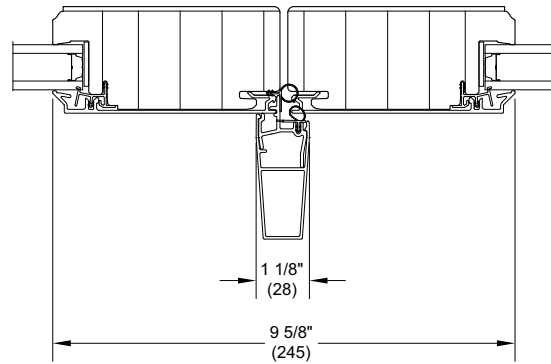


4 9/16" O - Jamb

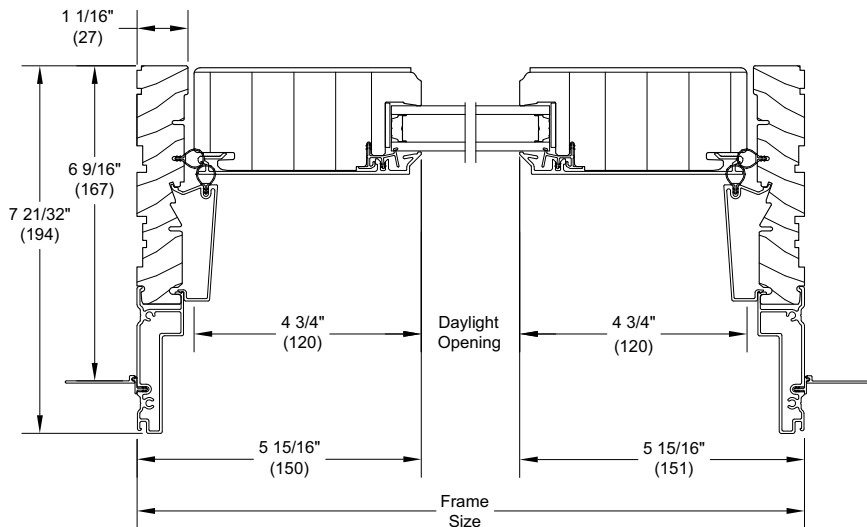
Inswing Section Details: Stationary (2 1/4" Panels)



6 9/16" Head Jamb and Sill

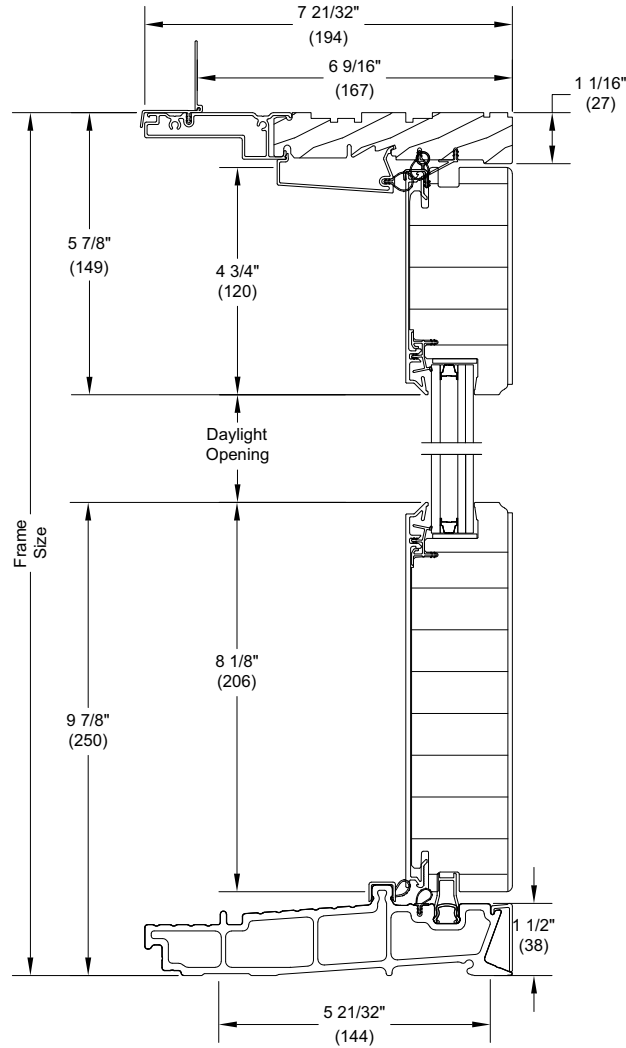


OO - Meeting Stiles

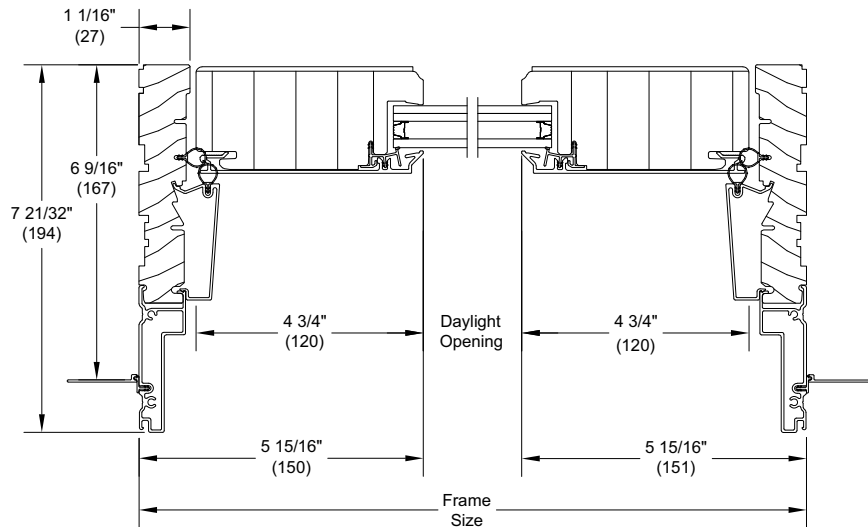


6 9/16" O - Jamb

Inswing Section Details: Stationary IZ3 (2 1/4" Panels)



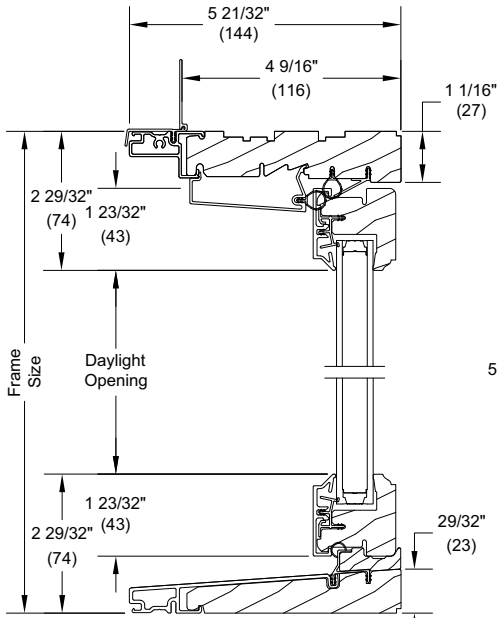
6 9/16" Head Jamb and Sill



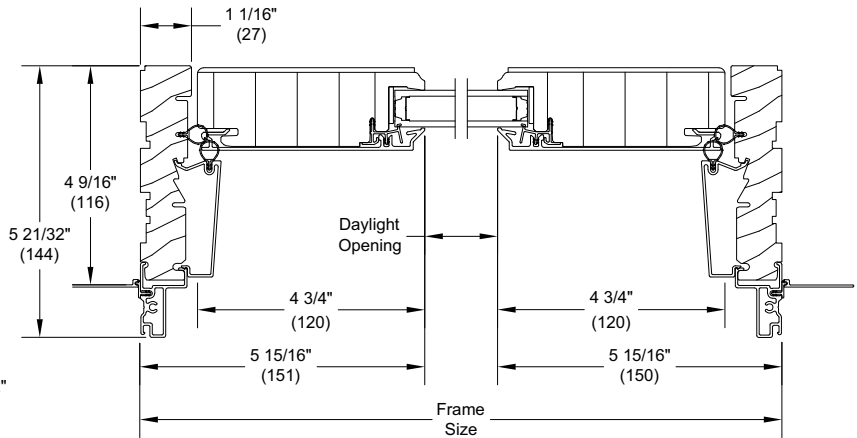
6 9/16" O - Jamb

Inswing Section Details: In-Sash Transom

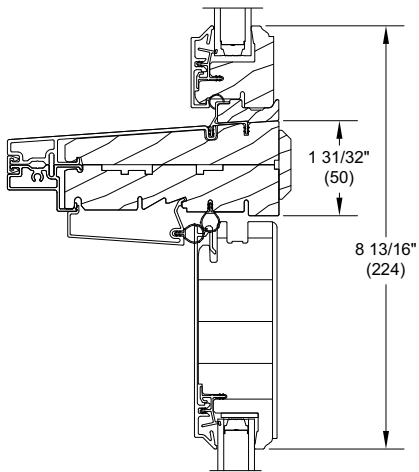
Scale: 3" = 1' 0"



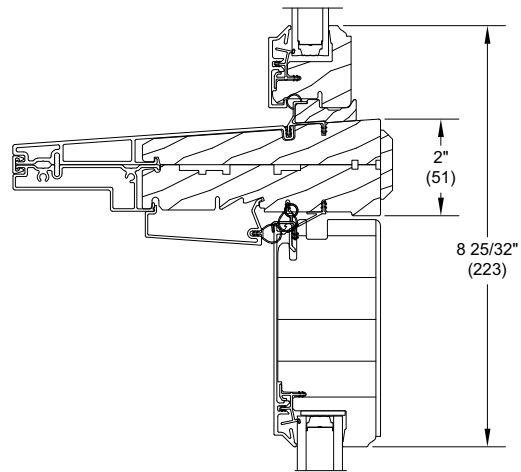
4 9/16" Head Jamb and Sill



In Sash Ultimate Transom 4 9/16" Jamb



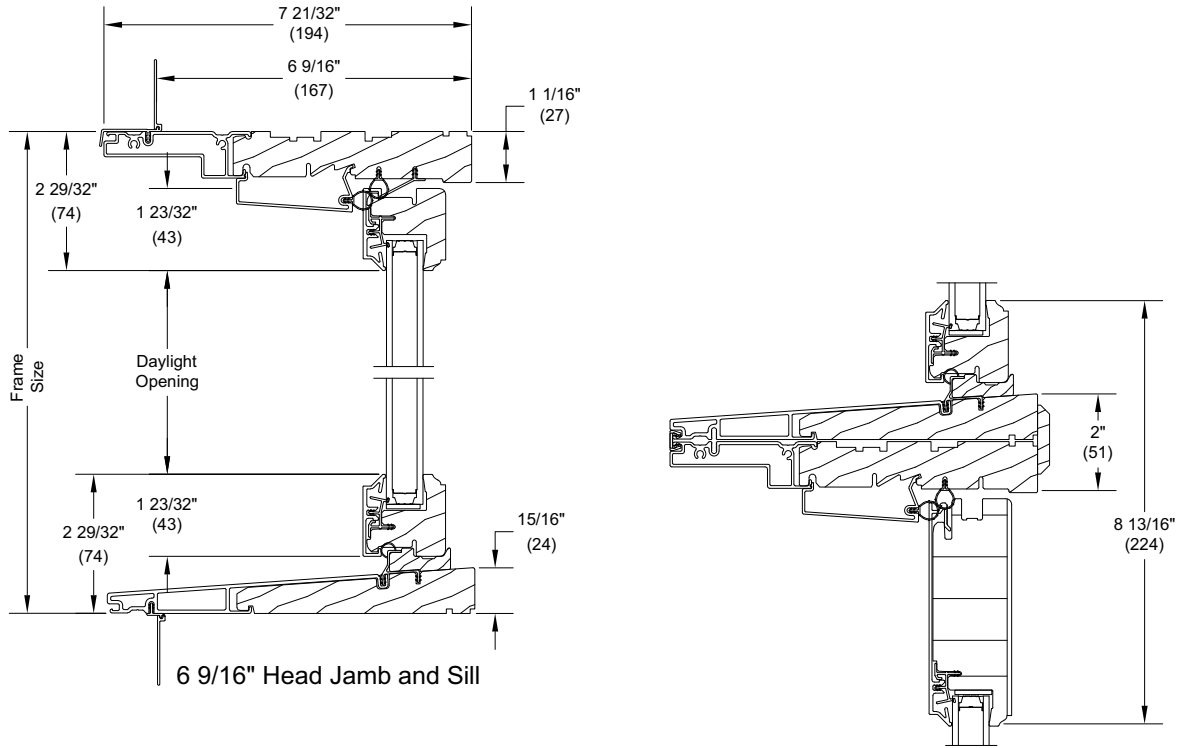
4 9/16" Rectangular Ultimate Transom Over Ultimate Inswing French Door G2



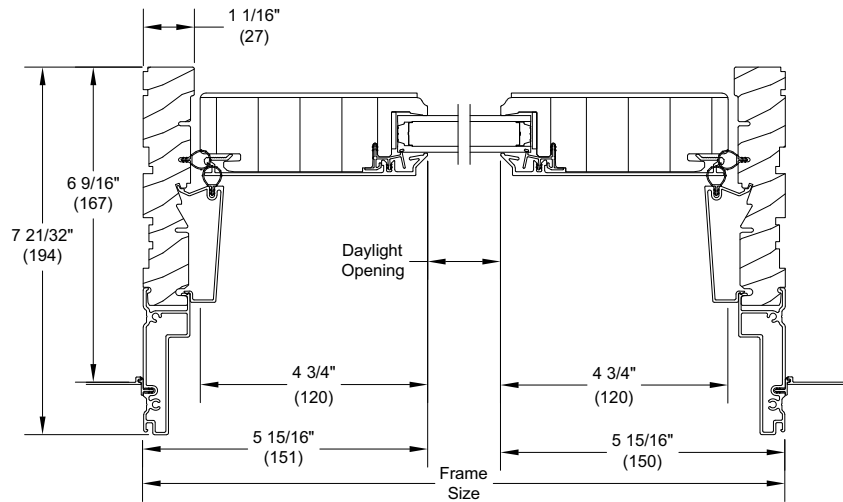
6 9/16" Rectangular Ultimate Transom Over Ultimate Inswing French Door 2.25 G2

Inswing Section Details: In-Sash Transom (6 9/16" Jamb)

NOTE: Transom panels are 1 3/4" for both 1 3/4" and 2 1/4" G2 French Doors



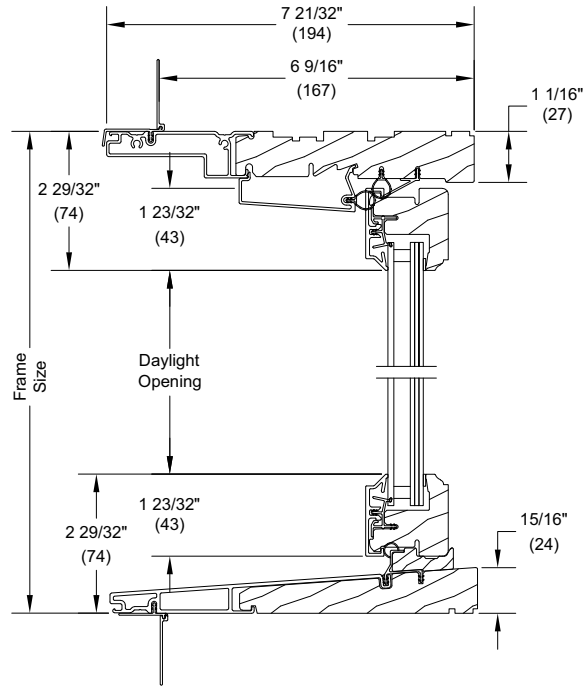
Rectangular Ultimate Transom Over Ultimate Inswing French Door



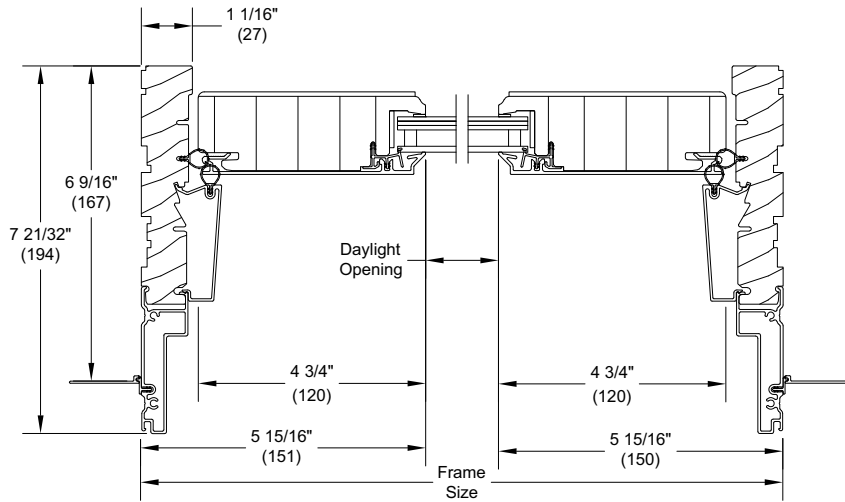
In Sash Ultimate Transom 6 9/16" Jamb

Inswing Section Details: In-Sash Transom IZ3 (1 3/4" Panels)

NOTE: Transom panels are 1 3/4" for both 1 3/4" and 2 1/4" G2 French Doors

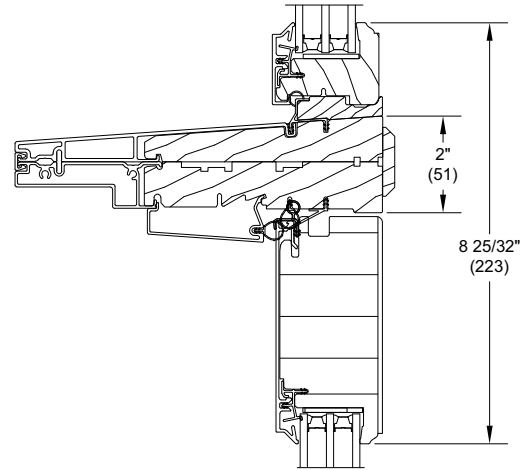
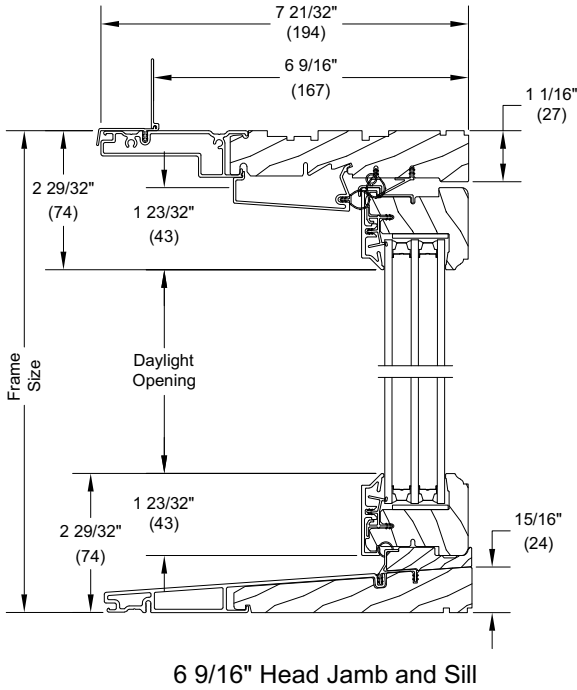


6 9/16" Head Jamb and Sill

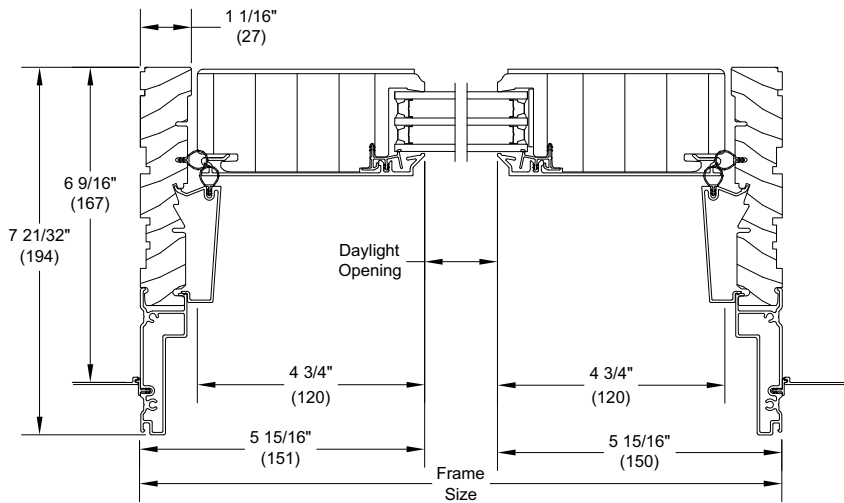


In Sash Ultimate Transom 6 9/16" Jamb

Inswing Section Details: In-Sash Transom (2 1/4" Panels, Tripane)

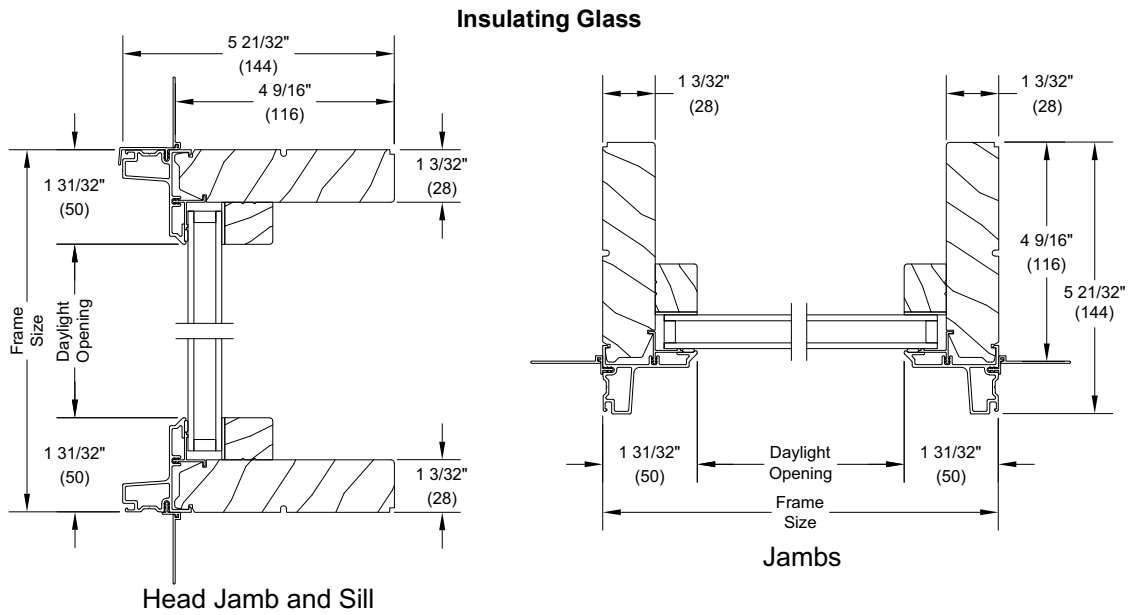


Rectangular Ultimate Transom Over Ultimate Inswing French Door



Inswing Section Details: Direct Glaze Rectangle

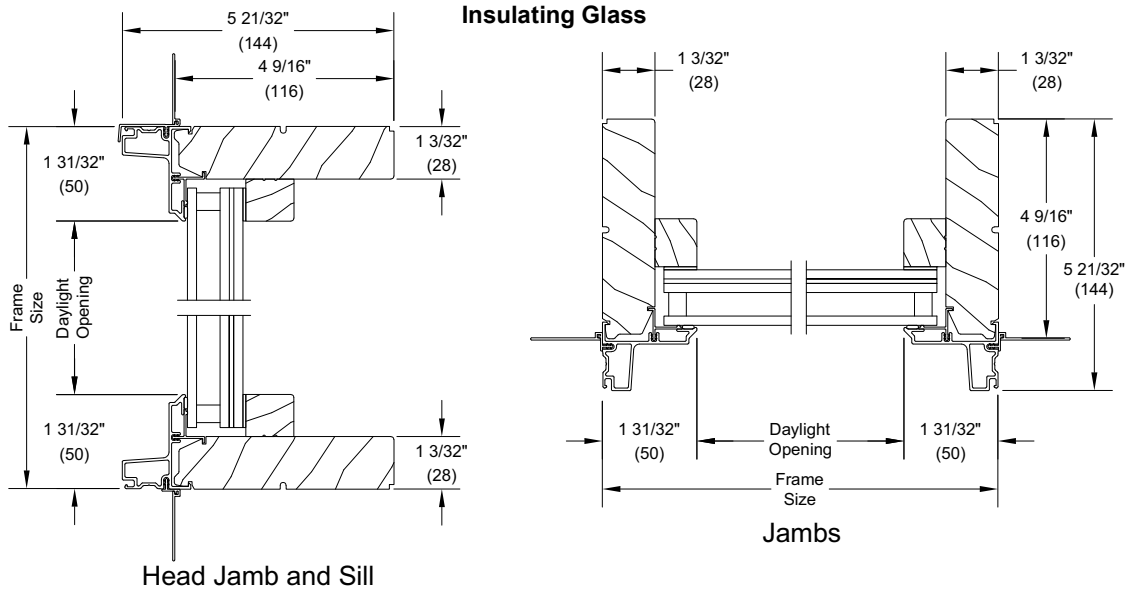
Scale: 3" = 1' 0"



NOTE: Illustrated with 1 3/4" panels, but also available with 2 1/4" panel product.

Inswing Section Details: Direct Glaze Rectangles IZ3

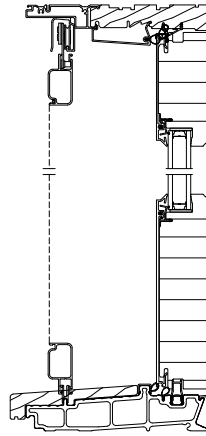
Scale: 3" = 1' 0"



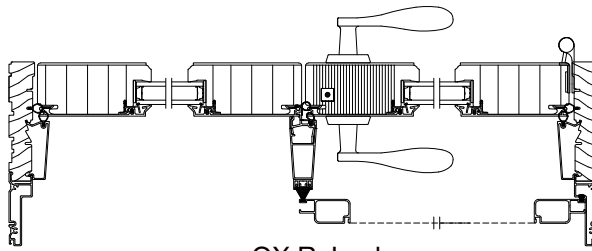
Illustrated with 1 3/4" panels, but also available with 2 1/4" panel product.

Inswing Section Details: Ultimate Sliding Screen

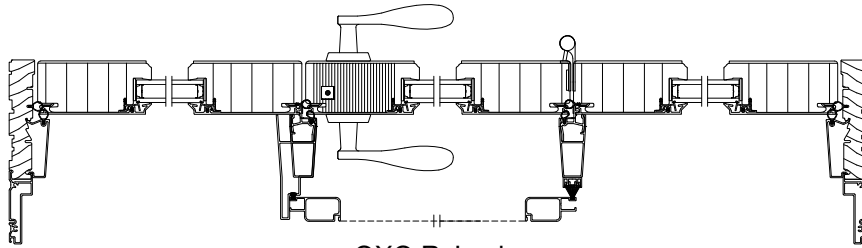
Scale: 3" = 1' 0"



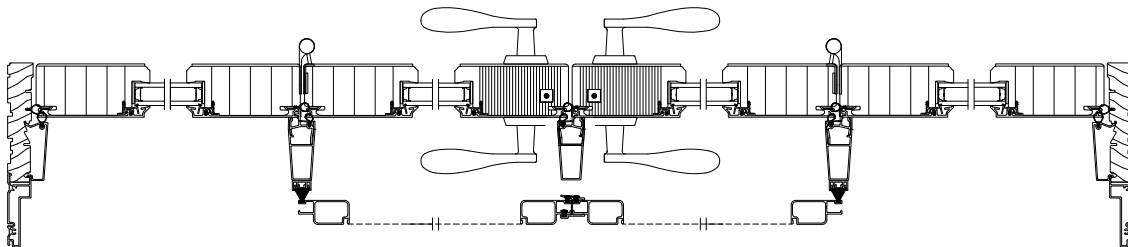
6 9/16" Head
Jamb and Sill



OX R Jamb



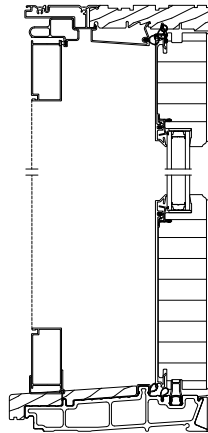
OXO R Jamb



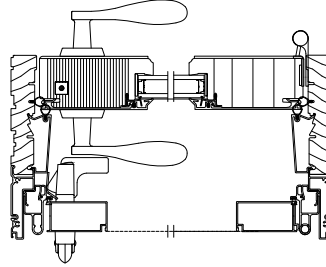
OXOX L Jamb

Inswing Section Details: Ultimate Swinging Screen

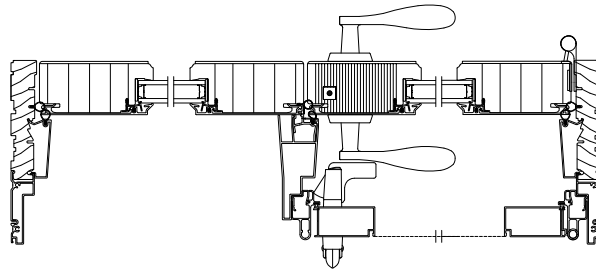
Scale: 3" = 1' 0"



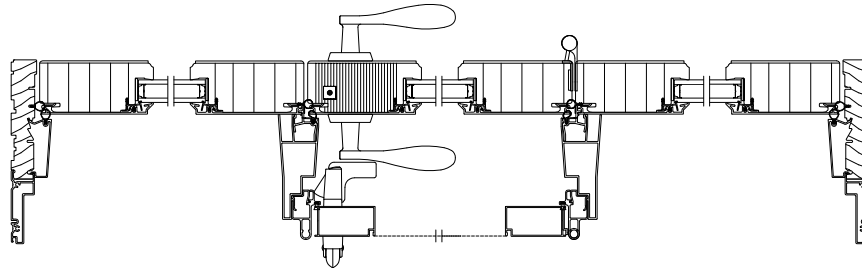
6 9/16" Head
Jamb and Sill



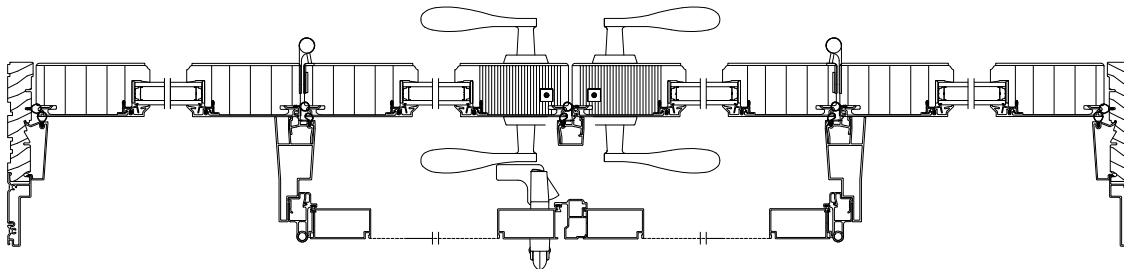
OX R Jamb



OX R Jamb



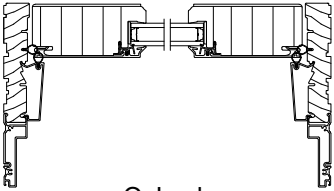
OXO R Jamb



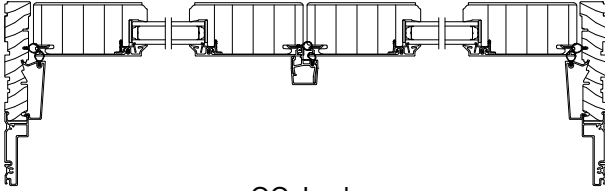
OXXO L Jamb

Inswing Section Details: In-Sash Transom Configurations

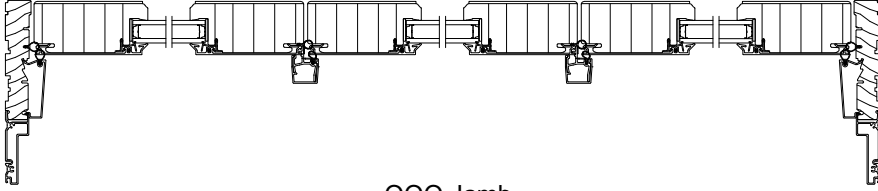
Scale: 3" = 1' 0"



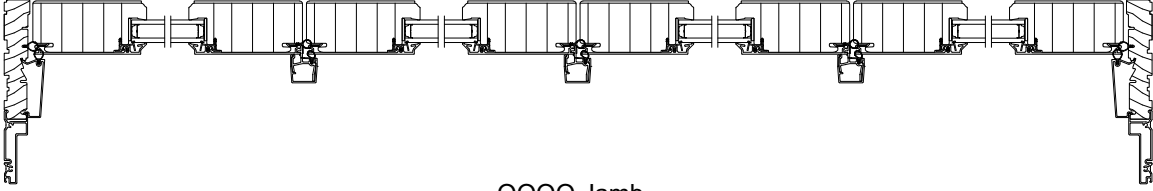
O Jamb
1 Frame 1 Sash



OO Jamb
1 Frame 2 Sash



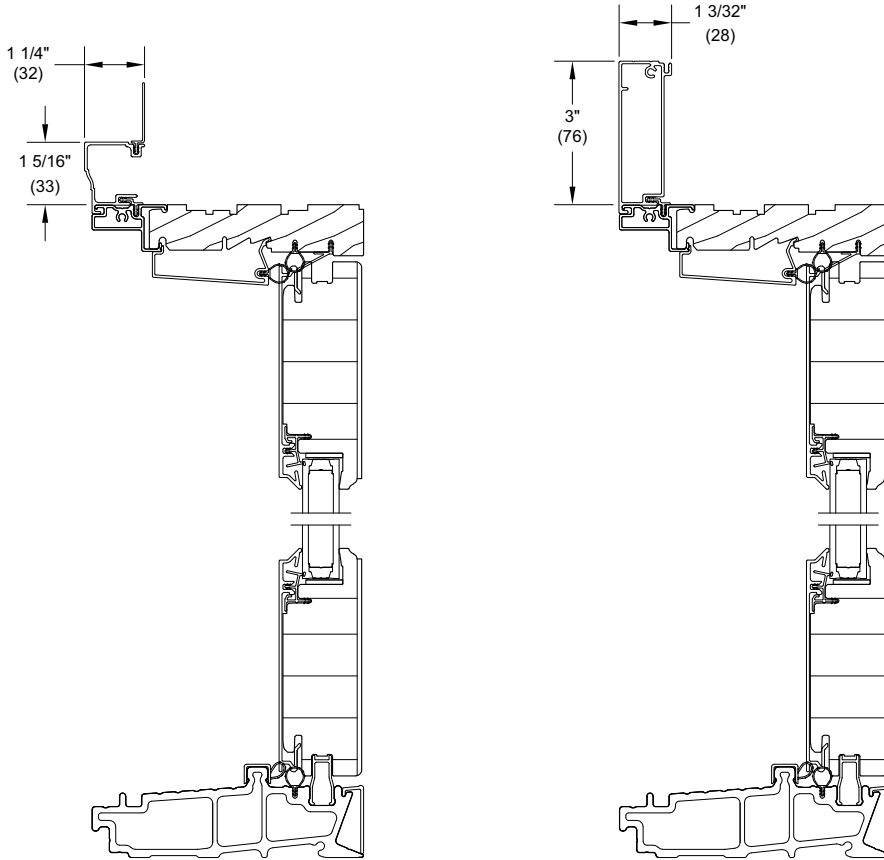
OOO Jamb
1 Frame 3 Sash



OOOO Jamb
1 Frame 4 Sash

Inswing Section Details: Casing Options

Scale: 3" = 1' 0"



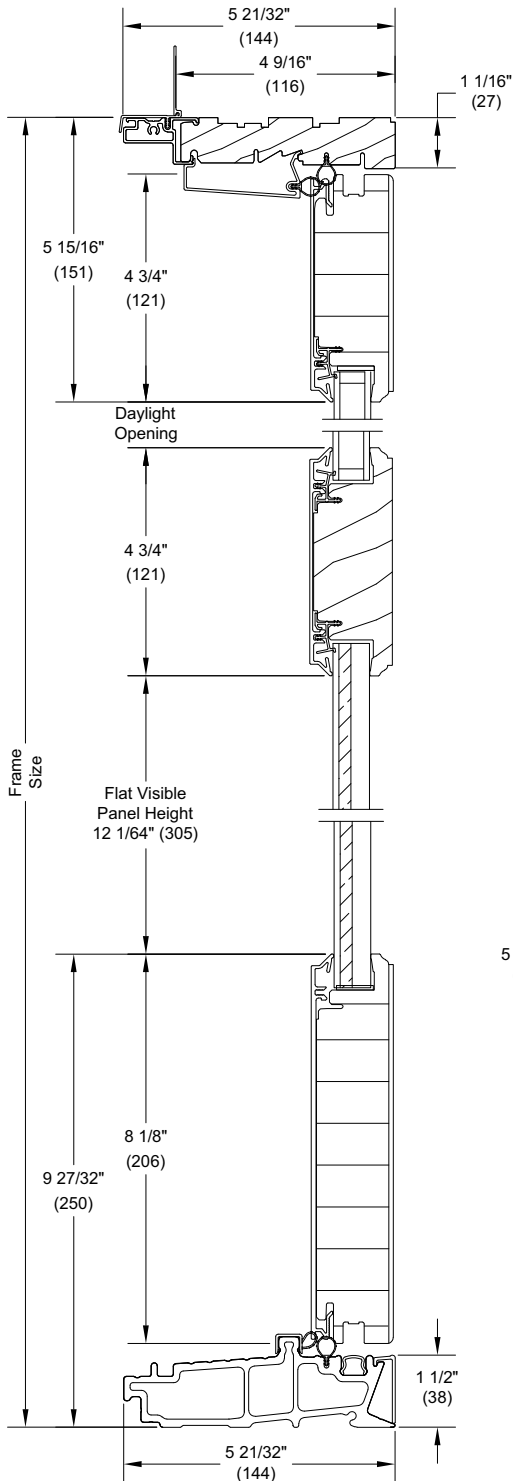
Head Jamb and Sill
with Clad Brick Mould Casing

Head Jamb and Sill
with Clad Flat Casing

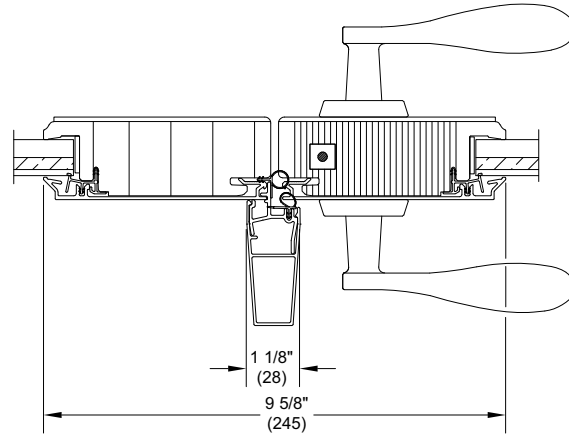
*NOTE: Illustrated with 1 3/4" panels, but also available with 2 1/4" panel product.
Casings are available with IZ3 units.*

Inswing Section Details: Flat Panel Placement

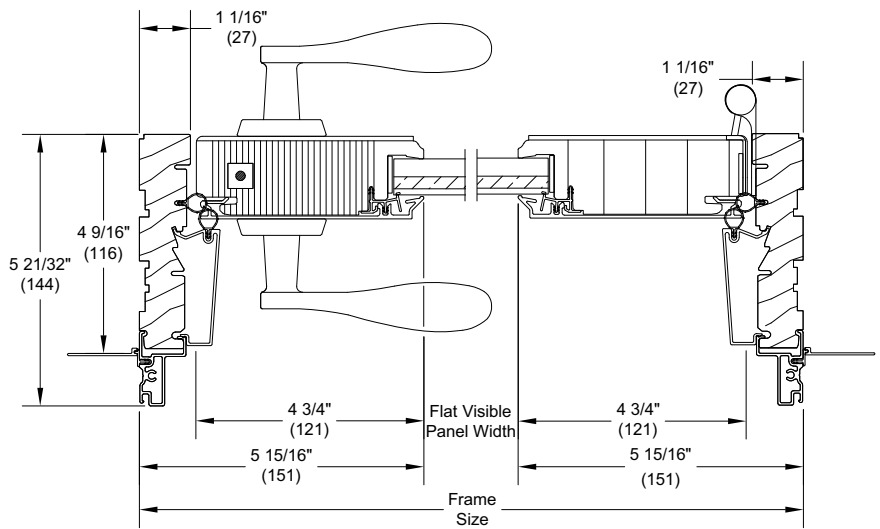
Scale: 3" = 1' 0"



Head Jamb and Sill



XO L - Meeting Stiles

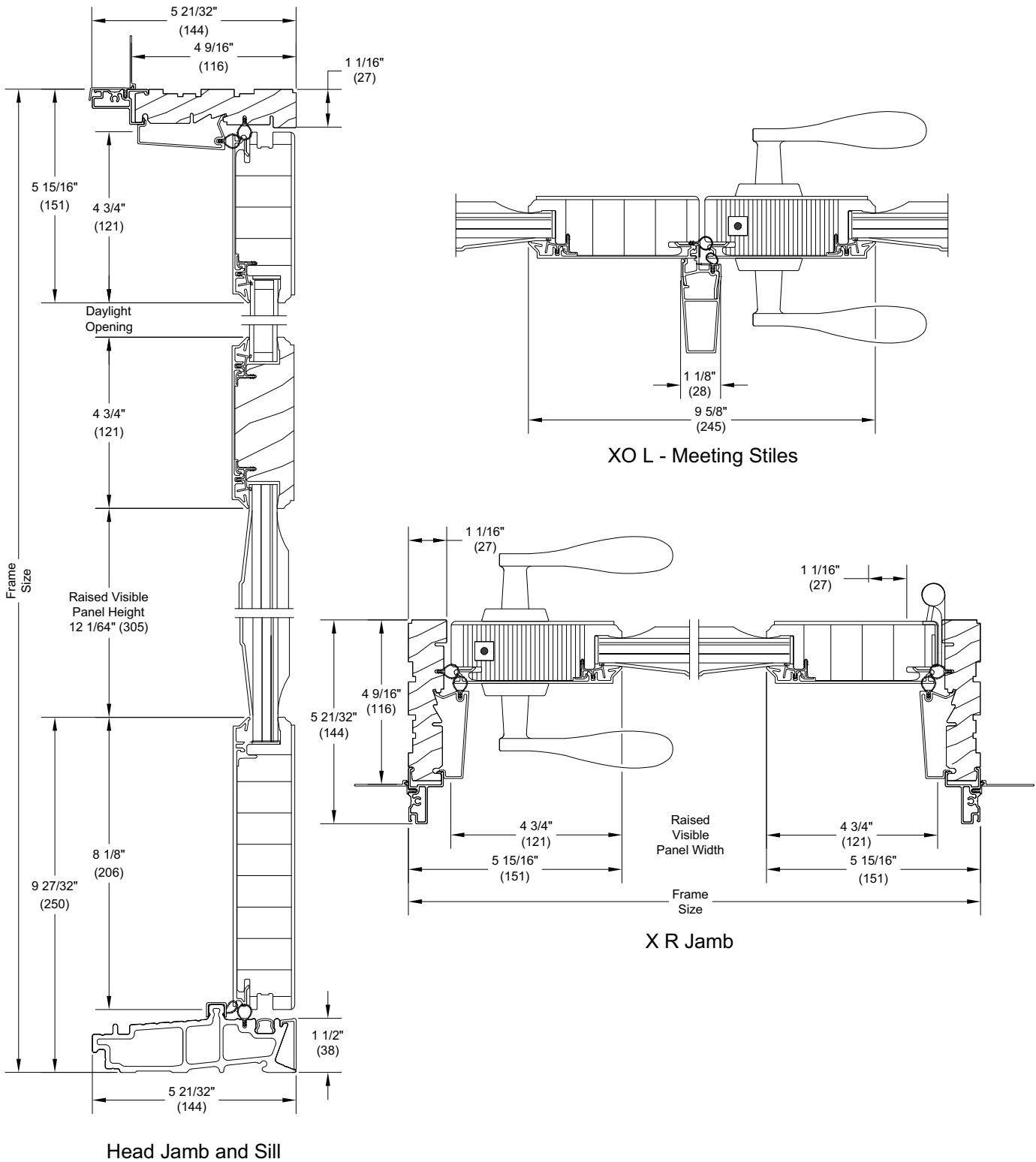


X R Jamb

*NOTE: Illustrated with 1 3/4" panels, but also available with 2 1/4" panel product.
Available with IZ3.*

Inswing Section Details: Raised Panel Placement

Scale: 3" = 1' 0"



NOTE: Illustrated with 1 3/4" panels, but also available with 2 1/4" panel product. Available with IZ3.