

MO (mm)	1' - 6" (457)	2' - 0" (610)	2' - 6" (762)	2' - 8" (914)	3' - 0" (914)	3' - 6" (1067)	4' - 0" (1219)	5' - 0" (1524)
RO (mm)	1' - 6" (457)	2' - 0" (610)	2' - 6" (762)	2' - 8" (914)	3' - 0" (914)	3' - 6" (1067)	4' - 0" (1219)	5' - 0" (1524)
FS (mm)	1' - 5 1/2" (445)	1' - 11 1/2" (597)	2' - 5 1/2" (749)	2' - 7 1/2" (800)	2' - 11 1/2" (902)	3' - 5 1/2" (1054)	3' - 11 1/2" (1207)	4' - 11 1/2" (1511)
DLO (mm)	12 9/16" (319)	18 9/16" (471)	24 9/16" (624)	26 9/16" (675)	30 9/16" (776)	36 9/16" (929)	42 9/16" (1081)	54 9/16" (1386)

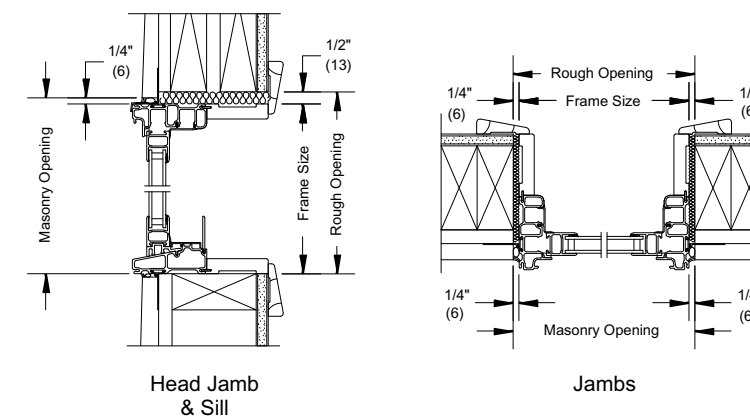
1'-11 3/4" (603) 2'-0" (610) 1'-11 1/2" (597) 18 9/16" (471)								
2'-5 3/4" (756) 2'-6" (762) 2'-5 1/2" (749) 24 9/16" (624)								
2'-11 3/4" (908) 3'-0" (914) 2'-11 1/2" (902) 30 9/16" (776)								
3'-5 3/4" (1060) 3'-6" (1067) 3'-5 1/2" (1054) 36 9/16" (929)								
3'-11 3/4" (1213) 4'-0" (1219) 3'-11 1/2" (1207) 42 9/16" (1081)								
4'-5 3/4" (1365) 4'-6" (1372) 4'-5 1/2" (1359) 48 9/16" (1233)								
4'-11 3/4" (1518) 5'-0" (1524) 4'-11 1/2" (1511) 54 9/16" (1386)								
5'-5 3/4" (1670) 5'-6" (1676) 5'-5 1/2" (1664) 60 9/16" (1538)								
5'-11 3/4" (1822) 6'-0" (1829) 5'-11 1/2" (1816) 66 9/16" (1691)								

DOUBLE HUNG TRANSOM

MO (mm)	1' - 6" (457)	2' - 0" (610)	2' - 6" (762)	2' - 8" (914)	3' - 0" (914)	3' - 6" (1067)	4' - 0" (1219)	5' - 0" (1524)
RO (mm)	1' - 6" (457)	2' - 0" (610)	2' - 6" (762)	2' - 8" (914)	3' - 0" (914)	3' - 6" (1067)	4' - 0" (1219)	5' - 0" (1524)
FS (mm)	1' - 5 1/2" (445)	1' - 11 1/2" (597)	2' - 5 1/2" (749)	2' - 7 1/2" (800)	2' - 11 1/2" (902)	3' - 5 1/2" (1054)	3' - 11 1/2" (1207)	4' - 11 1/2" (1511)
DLO (mm)	12 9/16" (319)	18 9/16" (471)	24 9/16" (624)	26 9/16" (675)	30 9/16" (776)	36 9/16" (929)	42 9/16" (1081)	54 9/16" (1386)

0'-11 3/4" (298) 1'-0" (305) 1'-6" (457) 1'-5 1/2" (445) 12 9/16" (319) 6 9/16" (167)								
1'-5 3/4" (451) 1'-6" (457) 1'-5 1/2" (445) 12 9/16" (319)								
1'-11 3/4" (603) 2'-0" (610) 1'-11 1/2" (597) 18 9/16" (471)								

Construction Details



GBG available in standard Rectangular lite cut, shown above. Other GBG lite cuts shown on page 3. (Not available on In-Sash Transom units.)

Details and Elevations not to scale.

Special sized units available within product size matrix. See your Marvin retailer.

See page 52 for specific PG Ratings.

For further details and drawings visit the 'Tools and Documents' section at Marvin.com.

MULTIPLE ASSEMBLIES

Multiple assemblies can be factory mulled.

MAXIMUM ROUGH OPENING not to exceed 114" x 78".

Maximum up to 6 units wide by 1 unit high.

MAXIMUM ROUGH OPENING not to exceed 96" x 96".

Maximum up to 5 units wide by 5 units high.

Field mull kits are available. Structural mullion reinforcement is required for some assemblies.

Please consult your local Marvin representative for more information.