

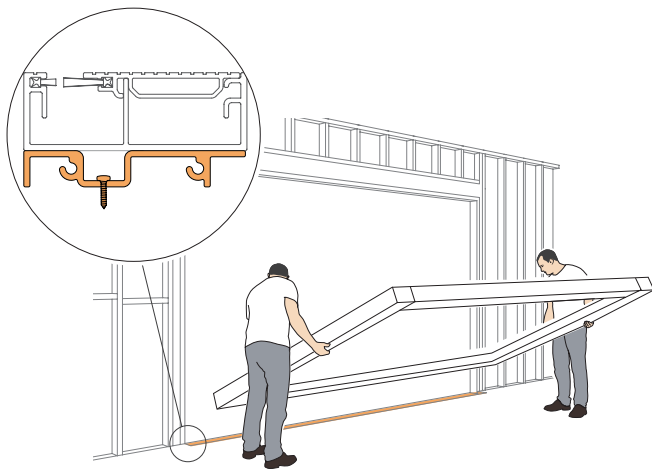
# S2 Screening System

## Sill Riser Installation

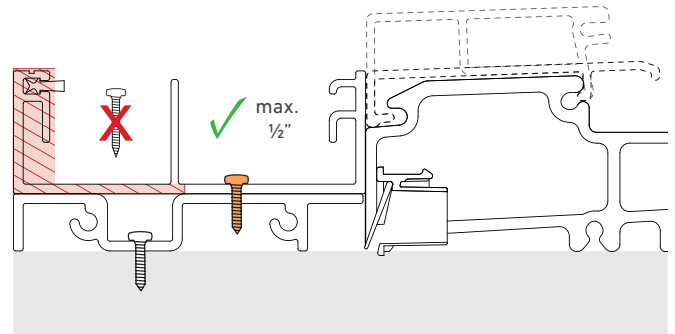
centor.com

centor®

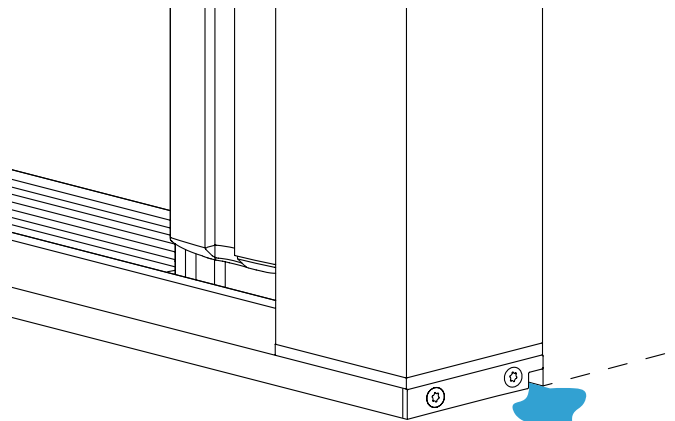
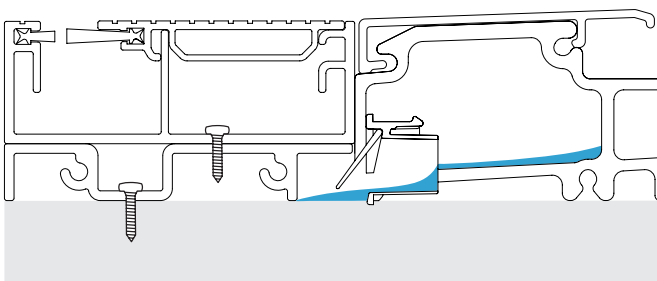
a)



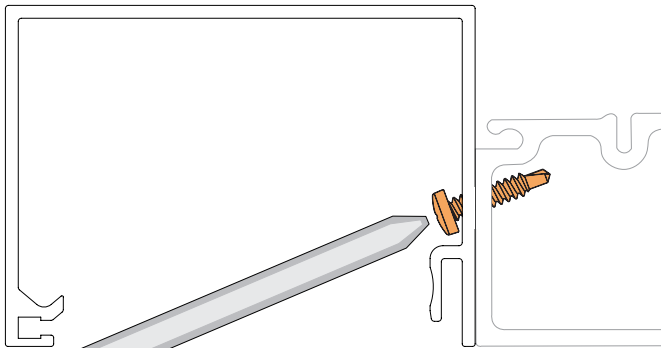
b)



c)



# Head



# Non-screened jambs

