

# ULTIMATE DOUBLE HUNG INSERT –G2 FLAT CASING PANNING INSTALLATION INSTRUCTIONS



**ATTENTION:** The following instructions detail the installation of flat casing panning on an Ultimate Double Hung Insert –G2 (UDHING2) unit using a typical flat casing (butt joint) technique. If mitered corners are desired, refer to the BMC Panning Installation Instructions (part number 19972130).

**ATTENTION:** Please read entire instruction before attempting to install the flat casing panning on your Ultimate Double Hung Insert –G2 unit.

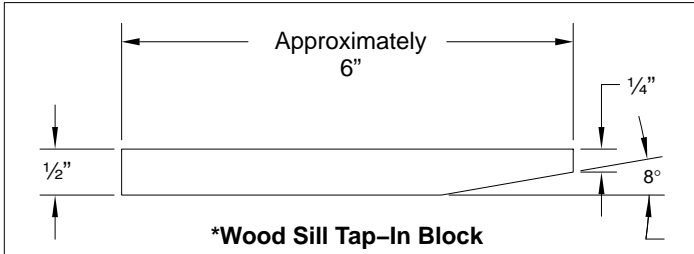
PARTS INCLUDED WITH PANNING KITS		
ILLUSTRATIONS (not to scale)	DESCRIPTION AND COLOR	PART/PROFILE NUMBER
<p>A1050</p>	Jamb/Head Jamb Flat Casing Wide Profile 150" (3810)	
	Stone White (SW) 18576998 Bronze (BZ) 18576899 Pebble (PB) 18576799 Brown (BN) 18576699 Evergreen (EG) 18576999	
<p>A1018</p>	Jamb/Head Jamb Flat Casing Narrow Profile 150" (3810)	
	Stone White (SW) 18577599 Bronze (BZ) 18577399 Pebble (PB) 18577299 Brown (BN) 18577199 Evergreen (EG) 18577499	
<p>A1016</p>	Sill Panning 50" (1270) (available in 150" lineal lengths)	
	Stone White (SW) 18576598 Bronze (BZ) 18576399 Pebble (PB) 18576299 Brown (BN) 18576199 Evergreen (EG) 18576499	
<p>A1012</p>	Frame Expander 150" (3810)	
	Stone White (SW) 18578599 Bronze (BZ) 18578399 Pebble (PB) 18578299 Brown (BN) 18578199 Evergreen (EG) 18578499	
	2-Head Jamb End Caps Wide Casing	
	Stone White (SW) 18811060 Bronze (BZ) 18811040 Pebble (PB) 18811030 Brown (BN) 18811020 Evergreen (EG) 18811050	
	2-Head Jamb End Caps Narrow Casing	
	Stone White (SW) 18810060 Bronze (BZ) 18810040 Pebble (PB) 18810030 Brown (BN) 18810020 Evergreen (EG) 18810050	

PARTS INCLUDED WITH PANNING KITS		
ILLUSTRATIONS (not to scale)	DESCRIPTION AND COLOR	PART/PROFILE NUMBER
	2 – Sill End Caps	
	<b>LH</b> Stone White (SW) 18812060 Bronze (BZ) 18812040 Pebble (PB) 18812030 Brown (BN) 18812020 Evergreen (EG) 18812050  <b>RH</b> Stone White (SW) 18812061 Bronze (BZ) 18812041 Pebble (PB) 18812031 Brown (BN) 18812021 Evergreen (EG) 18812051	
	Color Matched Sealant	
	Stone White (SW) 11407102 Bronze (BZ) 11407053 Pebble (PB) 11407052 Brown (BN) 11407051 Evergreen (EG) 11407054	
	6 – #8 x 3/4" Phillips stainless steel pan head screws	
	Stone White (SW) 02058050 Bronze (BZ) 11800838 Pebble (PB) 11800837 Brown (BN) 11800836 Evergreen (EG) 11800839	
	6 – #8 x 1 1/4" Phillips pan head screws	11800825
	24 – #8 x 1" Phillips flat head screws	11800740
	Frame kerf weather strip 13/64" diameter 16' (4877)	15910100
<p>A1193</p>	Sill Bottom Cover <i>NOTE: Optional part not included in panning kit.</i>	
	Stone White (SW) 18580599 Bronze (BZ) 18580399 Pebble (PB) 18580299 Brown (BN) 18580199 Evergreen (EG) 18580499	

## YOU WILL NEED TO SUPPLY

Safety glasses	Hearing protection
Gloves	Hammer
Metal file	Caulking gun
Tape measure	Screen spline roller
Hacksaw or appropriate shear	1/8" drill bit
Power drill/driver with Phillips head bit	
Hardwood block*	

Table saw with metal cutting blade (or power miter saw with metal cutting blade to rip panning components to width)  
 Sealant – *Grade NS Class 25 per ASTM C920 (must be compatible with panning components and exterior surface of structure.)*



*NOTE: Numbers listed in parentheses ( ) are metric equivalents in millimeters rounded to the nearest whole number.*

**CAUTION:** When using a power miter saw or hacksaw, always use the appropriate hand, eye, and ear protection to avoid injury. File all burrs or sharp edges from panning components after cutting them.

**WARNING!** Drilling, sawing, sanding, or machining wood products can expose you to wood dust, a substance known to the State of California to cause cancer. Avoid inhaling wood dust or use a dust mask or other safeguards for personal protection. For more information, go to [www.P65Warnings.ca.gov](http://www.P65Warnings.ca.gov)

**WARNING!** This product can expose you to chemicals including titanium oxide, which is known to the state of California to cause cancer. For more information, go to [www.P65Warnings.ca.gov](http://www.P65Warnings.ca.gov)

**WARNING!** This product can expose you to chemicals including methanol, which is known to the state of California to cause cancer. For more information, go to [www.P65Warnings.ca.gov](http://www.P65Warnings.ca.gov)

## Install Frame Kerf Weather Strip

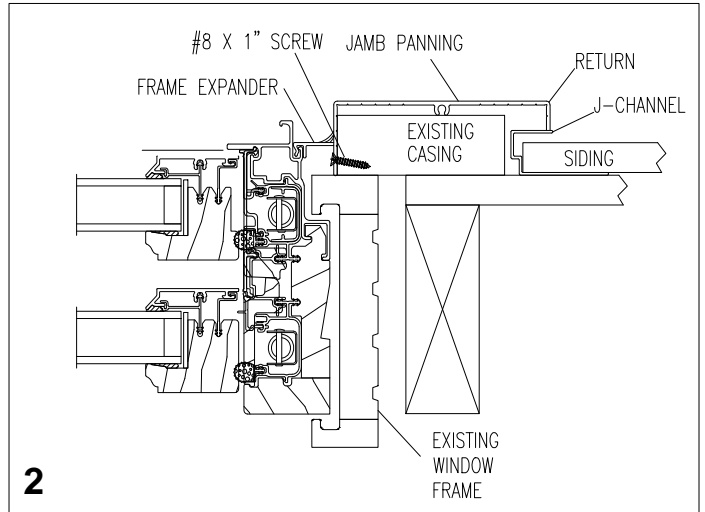
- Using a screen spline roller or similar tool, apply frame kerf weather strip around the entire perimeter of insert frame as shown in figure 1. Start at top corner and do not overlap weather strip.



19972131  
2019-08-12

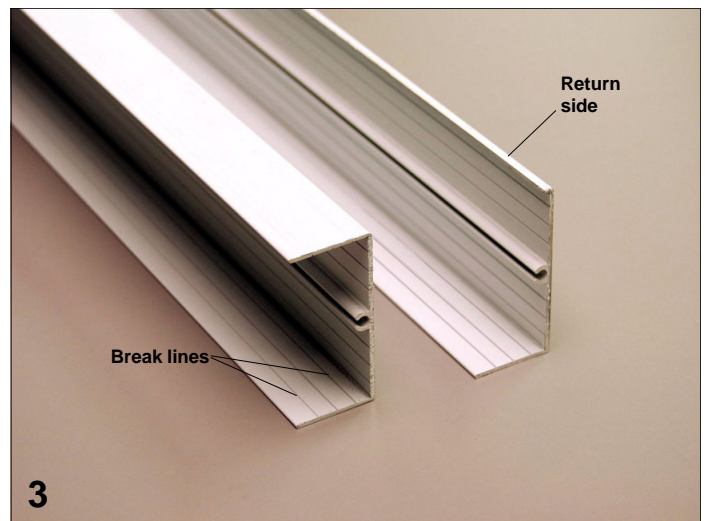
## Rip Panning Components

- When installed, the panning components must seat against the blind stop and interior side of existing casing. The exterior or "return" side of all panning components may need to be ripped to adjust for different exterior surfaces. See Illustration 2.



- Break lines are provided and may be used as a guide for cutting on a table saw or brake. See figure 3.

*NOTE: On this particular example most of the "return" or exterior side of the panning component was removed. Different scenarios may require less removal of material from the return side to meet up with the exterior surface of the building (stucco, siding, brick, etc.).*



## Fabricate Sill Panning

- Measure the distance between the existing jamb casing. To this measurement add 4 7/16" (113) for narrow flat casing profiles or 7 5/8" (194) for wide flat casing profiles. This will be the overall width of your sill panning as well as the width of the head jamb component and sill bottom cover. See figure 4.

**IMPORTANT:** If the face of the panning component was ripped, and thus the width of the component was reduced, use the following formula to determine the overall sill panning width.

$$[A \text{ \_\_\_\_ } + (2 \times B \text{ \_\_\_\_ }) = C \text{ \_\_\_\_ }]$$

Where:

- A** = Distance between existing jamb casing. See figure 4.
- B** = Flat casing width minus 1/16" (2)
- C** = Overall width of the sill panning component.

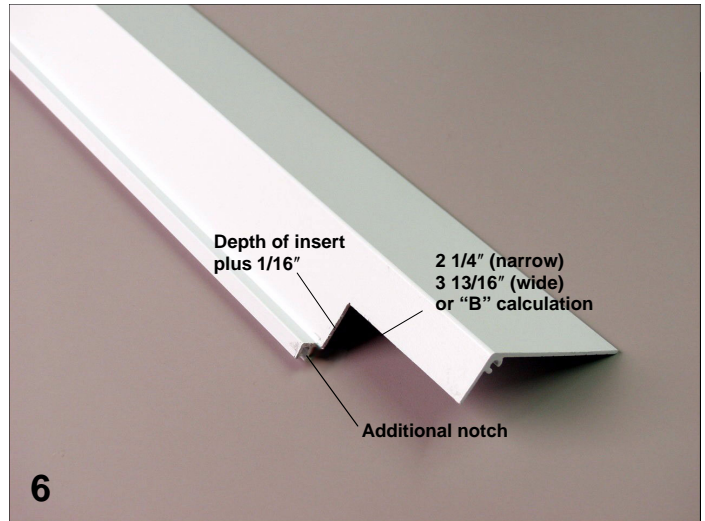
- Using a hacksaw or power miter saw, cut the sill panning component to the width calculated in step 4 or in the formula (See Important note above).



- Measure and mark in from both ends of sill component 2 1/4" (57) for the narrow flat casing profile or 3 13/16" (97) for the wide flat casing profile. This is the width of the jamb panning minus 1/16" (2). If the face of the panning component was ripped, use the B calculation from the formula above.
- Using a straightedge or speed square and tape measure, calculate the depth of the insert unit from the furthest projection of the existing jamb casing. To this measurement add 1/16" (2) and mark on sill panning. See figure 5.



- Extend these marks at right angles until they intersect. Cut an additional 1/16" (2) notch from the back side of the sill panning notch. This will allow clearance for the jamb panning once installed. With a hacksaw, cut a notch in the sill panning and remove any burrs with a metal file. See figure 6. Test fit sill panning to make sure it fits properly around existing jamb casing. Some trimming may be necessary.



## Optional Sill Bottom Cover Fabrication and Installation

**NOTE:** If optional sill bottom cover (A1193) will not be used, proceed to next section, **Install Sill Panning**.

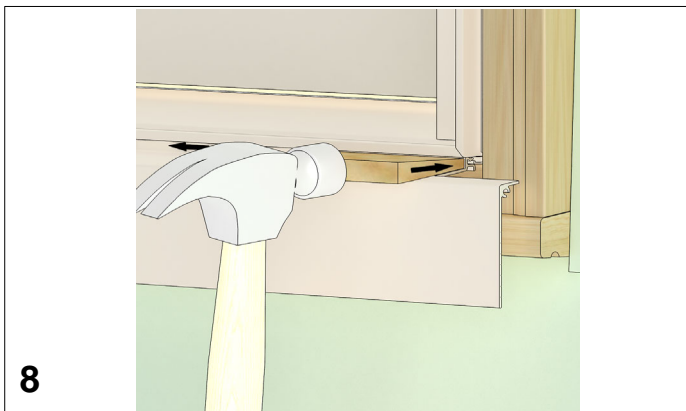
- Measure width of sill panning and cut sill bottom cover to same dimension with a hacksaw or power miter saw.
- The sill cover may need to be ripped to adjust for different exterior surfaces. This piece is used to keep the face of the sill panning in a vertical fashion. Break lines are provided on the cover and may be used as a guide for cutting using a table saw or brake.
- Place sill cover at desired height and center on sill. Secure the sill cover to the exterior with proper screws or other fasteners (type and size will vary depending upon exterior surface). See figure 7.



## Install Sill Panning

12. Position the sill panning lip in accessory kerf of the frame. Using a hardwood block\*, start at one end of the sill panning and firmly tap on the wood block with a hammer, making two passes, to completely to seat the sill panning into the frame kerf. See figure 8.

*NOTE: Once installed, sill panning is very difficult to remove.*



\* See block specifications on page 2.

## Fabricate Head Jamb Panning

13. Using the measurement of sill panning width, cut a piece of the flat casing panning component with a power miter saw or hacksaw to the same dimension.
14. Measure and mark 2 1/4" (57) from ends of the head jamb panning if you are using the narrow flat casing profile. Measure 3 13/16" (97) from the ends if you are using the wide flat casing profile. Mark in from face of casing approximately 1/16" (2) and connect the lines. See figure 9.



15. With a hacksaw, cut a notch on lines and remove any burrs with a metal file. Test fit the piece to make sure it fits around jamb casing. Some trimming may be necessary.

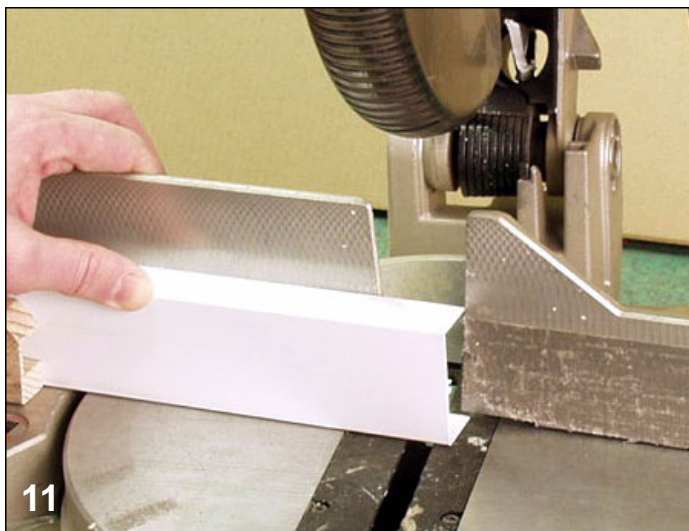
## Install Head Jamb Panning

16. Place head jamb panning component tightly against interior edge of existing casing (with notched ends around existing jamb casing). Drill pilot holes with a 1/8" (3) drill bit every 8"-10" (203-254) making sure that holes are placed as close to the interior as possible (screws will be covered by frame expander installed in later steps). Fasten head jamb component to existing casing with the #8 x 1" screws provided. See figure 10.



## Fabricate Jamb Panning

17. Using a power miter saw, cut ends of jamb pieces at eight (8) degrees to match sill panning bevel. Remove sharp edges and burrs with a metal file. See figure 11.



18. Measure from top of sill to bottom of head jamb panning. Cut jamb panning components to this measurement with a power miter saw or hacksaw. See figure 12.



## Fabricate and Install Frame Expander

22. Place a bead of sealant where frame kerf weather strip meets. See figure 14.



23. If necessary, rip the frame expander to the needed width. (Frame expander will span the distance between the UDHING2 accessory kerf and the panning component. Distance may vary along head jamb and jamb. Adjust as necessary.)
24. Measure and cut head jamb piece first and install with a wood block and hammer. Repeat for jamb pieces. See figure 15.



## Install Jamb Panning

19. Place a bead of sealant to the notched edge of the head jamb panning. Set jamb piece in place tightly against existing casing and blind stop, flush with edge of head jamb component.
20. Drill pilot holes with a 1/8" (3) drill bit every 8"-10" (203-254) making sure that holes are placed as close to the interior as possible. Fasten to existing casing with the #8 x 1" screws provided.

## Install End Caps

21. End caps may need to be trimmed to allow for different exterior surfaces. Break lines are provided similar to panning components. Trim end caps with a hacksaw or appropriate sheer on the side that will contact the exterior surface of the building (end opposite of pre-drilled screw hole). Fasten end caps to sill and head jamb by driving the #8 x 3/4" screws through the end cap and into the screw boss as shown in figure 13.



13

## Sealing the Installation

25. Seal all joints and exposed screw heads with color matched sealant. See figures 16 and 17.



26. Be sure to tool out bead for best performance and aesthetics. See figure 18.



27. Seal the joint between panning components and exterior of building with compatible sealant. See figure 19. Be sure to tool out bead for best performance.

