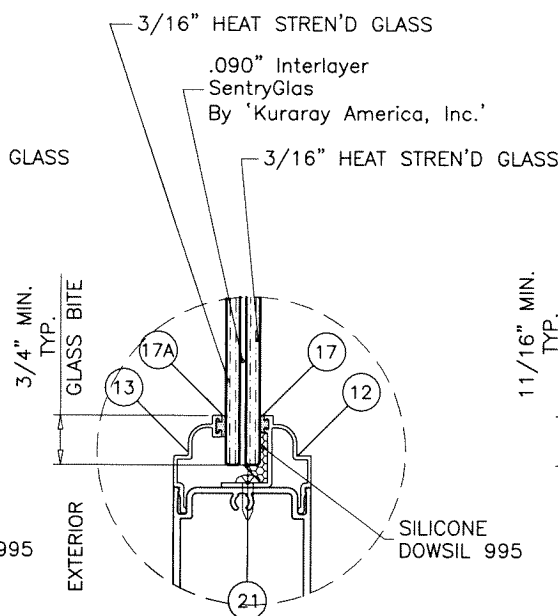
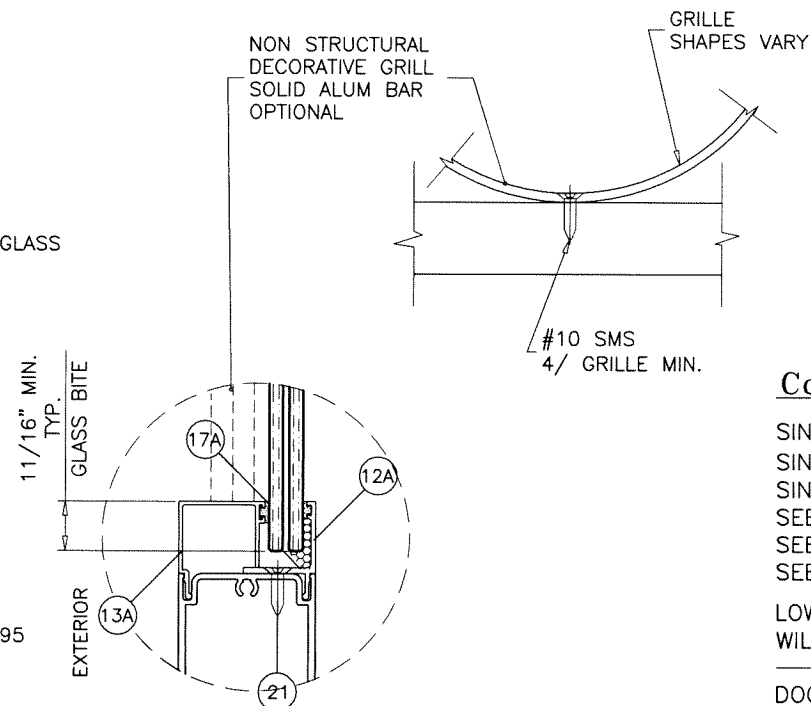


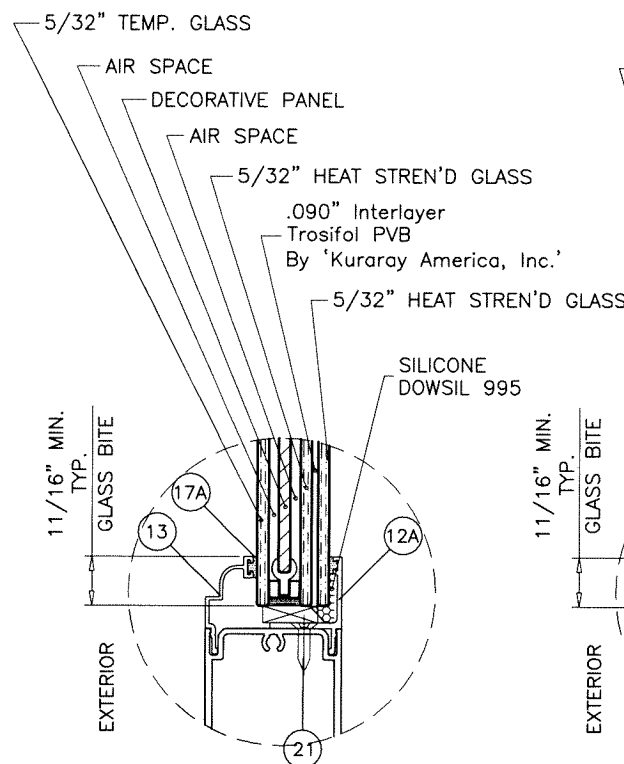
GLASS TYPE 'A'
7/16" OVERALL LAM. GLASS



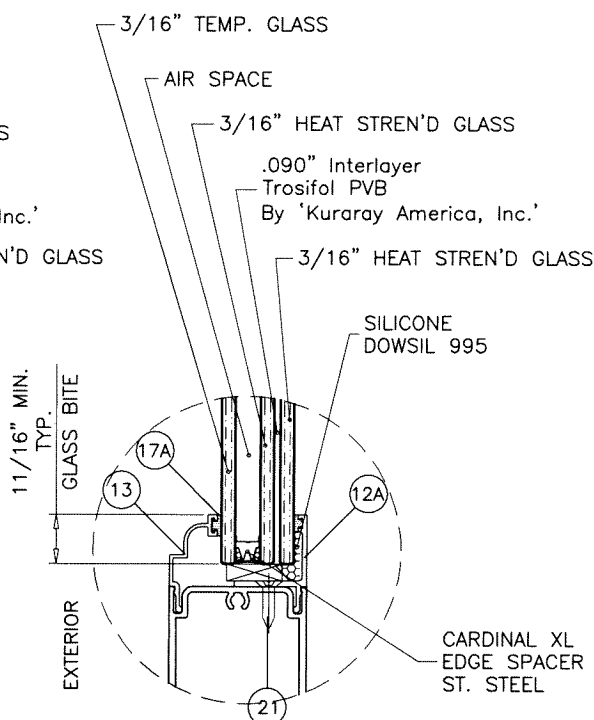
GLASS TYPE 'B'
7/16" OVERALL LAM. GLASS



ALTERNATE GLAZING DETAIL
GLASS TYPES 'A' & 'B'



GLASS TYPE 'C'
1" OVERALL LAM. INSUL. GLASS



GLASS TYPE 'D'
1" OVERALL LAM. INSUL. GLASS

GLAZING OPTIONS

THESE DOORS ARE RATED FOR LARGE & SMALL MISSILE IMPACT. SHUTTERS ARE NOT REQUIRED.

Coastline Outswing French Door/Entry Door IZ4 (9')

SINGLE (X) AND DOUBLE (XX) LEAF DOORS W/O TRANSOM SEE SHEETS 2 & 3. SINGLE (O/X) AND DOUBLE (O/XX) LEAF DOORS WITH TRANSOMS SEE SHEET 4. SINGLE AND DOUBLE LEAF DOORS WITH SIDELITES SEE SHEET 5. SEE SHEET 2 FOR GLASS TYPES AND LOCKING OPTIONS. SEE SHEET 3 FOR GLASS TYPE AND ADA SILL. SEE SHEET 4.1 FOR SINGLE SIDELITE AND GLASS TYPES.

LOWER VALUES FROM TRANSOM/SIDELITE CAPACITY CHART OR DOOR CAPACITY WILL APPLY TO ENTIRE SYSTEM.

DOORS WITH STD. SILL APPROVED FOR INSTALLATIONS WHERE WATER INFILTRATION RESISTANCE IS REQUIRED.

DOORS WITH ADA THRESHOLDS NOT APPROVED FOR INSTALLATIONS WHERE WATER INFILTRATION RESISTANCE IS REQUIRED.

THIS PRODUCT HAS BEEN DESIGNED AND TESTED TO COMPLY WITH THE REQUIREMENTS OF THE 2020 (7TH EDITION)/2023 (8TH EDITION) FLORIDA BUILDING CODE INCLUDING HIGH VELOCITY HURRICANE ZONE (HVHZ).

1BY OR 2BY WOOD BUCKS & BUCK FASTENERS BY OTHERS, MUST BE DESIGNED AND INSTALLED ADEQUATELY TO TRANSFER APPLIED PRODUCT LOADS TO THE BUILDING STRUCTURE.

ANCHORS SHALL BE CORROSION RESISTANT, SPACED AS SHOWN ON DETAILS AND INSTALLED PER MANUF'S INSTRUCTIONS. SPECIFIED EMBEDMENT TO BASE MATERIAL SHALL BE BEYOND WALL DRESSING OR STUCCO.

A LOAD DURATION INCREASE IS USED IN DESIGN OF ANCHORS INTO WOOD ONLY.

ALL SHIMS TO BE HIGH IMPACT, NON-METALLIC AND NON-COMPRESSIBLE.

MATERIALS INCLUDING BUT NOT LIMITED TO STEEL/METAL SCREWS, THAT COME INTO CONTACT WITH OTHER DISSIMILAR MATERIALS SHALL MEET THE REQUIREMENTS OF THE 2020/2023 FLORIDA BLDG. CODE & ADOPTED STANDARDS.

THIS PRODUCT APPROVAL IS GENERIC AND DOES NOT PROVIDE INFORMATION FOR A SITE SPECIFIC PROJECT, i.e. LIFE SAFETY OF THIS PRODUCT, ADEQUACY OF STRUCTURE RECEIVING THIS PRODUCT AND SEALING AROUND OPENING FOR WATER INFILTRATION RESISTANCE ETC.

CONDITIONS NOT SHOWN IN THIS DRAWING ARE TO BE ANALYZED SEPARATELY, AND TO BE REVIEWED BY BUILDING OFFICIAL.

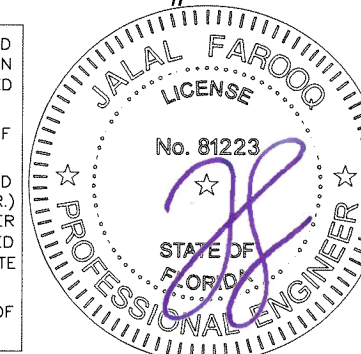
DESIGN LOADS SHOWN ARE BASED ON 'ALLOWABLE STRESS DESIGN (ASD)'.

MANUFACTURER'S LABEL SHALL BE LOCATED ON A READILY VISIBLE LOCATION IN ACCORDANCE WITH SECTION 1709.9.3 OF FLORIDA BUILDING CODE. LABELING TO COMPLY WITH SECTION 1709.9.2.

Sealed: 7/25/2023

FL #34006

- A- CONTRACTOR TO BE RESPONSIBLE FOR THE SELECTION, PURCHASE AND INSTALLATION OF THIS PRODUCT BASED ON THIS PRODUCT EVALUATION PROVIDED HE/SHE DOES NOT DEVIATE FROM THE CONDITIONS DETAILED ON THIS DOCUMENT.
- B- THIS PRODUCT EVALUATION DOCUMENT WILL BE CONSIDERED INVALID IF ALTERED BY ANY MEANS.
- C- SITE SPECIFIC PROJECTS SHALL BE PREPARED BY A FLORIDA REGISTERED ENGINEER OR ARCHITECT WHICH WILL BECOME THE ENGINEER OF RECORD (E.O.R.) FOR THE PROJECT AND WHO WILL BE RESPONSIBLE FOR THE PROPER USE OF THE P.E.D. ENGINEER OF RECORD, ACTING AS A DELEGATED ENGINEER TO THE P.E.D. ENGINEER SHALL SUBMIT TO THIS LATTER THE SITE SPECIFIC DRAWINGS FOR REVIEW.
- D- THIS P.E.D. SHALL BEAR THE DATE AND ORIGINAL SEAL AND SIGNATURE OF THE PROFESSIONAL ENGINEER OF RECORD THAT PREPARED IT.



afC
AL-FAROOQ CORPORATION
 ENGINEERS & PRODUCT DEVELOPMENT
 9360 SUNSET DRIVE, SUITE 220
 MIAMI, FLORIDA 33173 (C.A.N. 3538)
 TEL. (305) 264-8100 FAX. (305) 262-6978
 COMP-ANL\W15-45SIW

Coastline Outswing French Door/Entry Door IZ4 (9')

MARVIN
 PO Box 100, 401 State Ave. N.
 Warrroad, MN. 56763
 Tel. (218) 386-1430 Ext. 2143

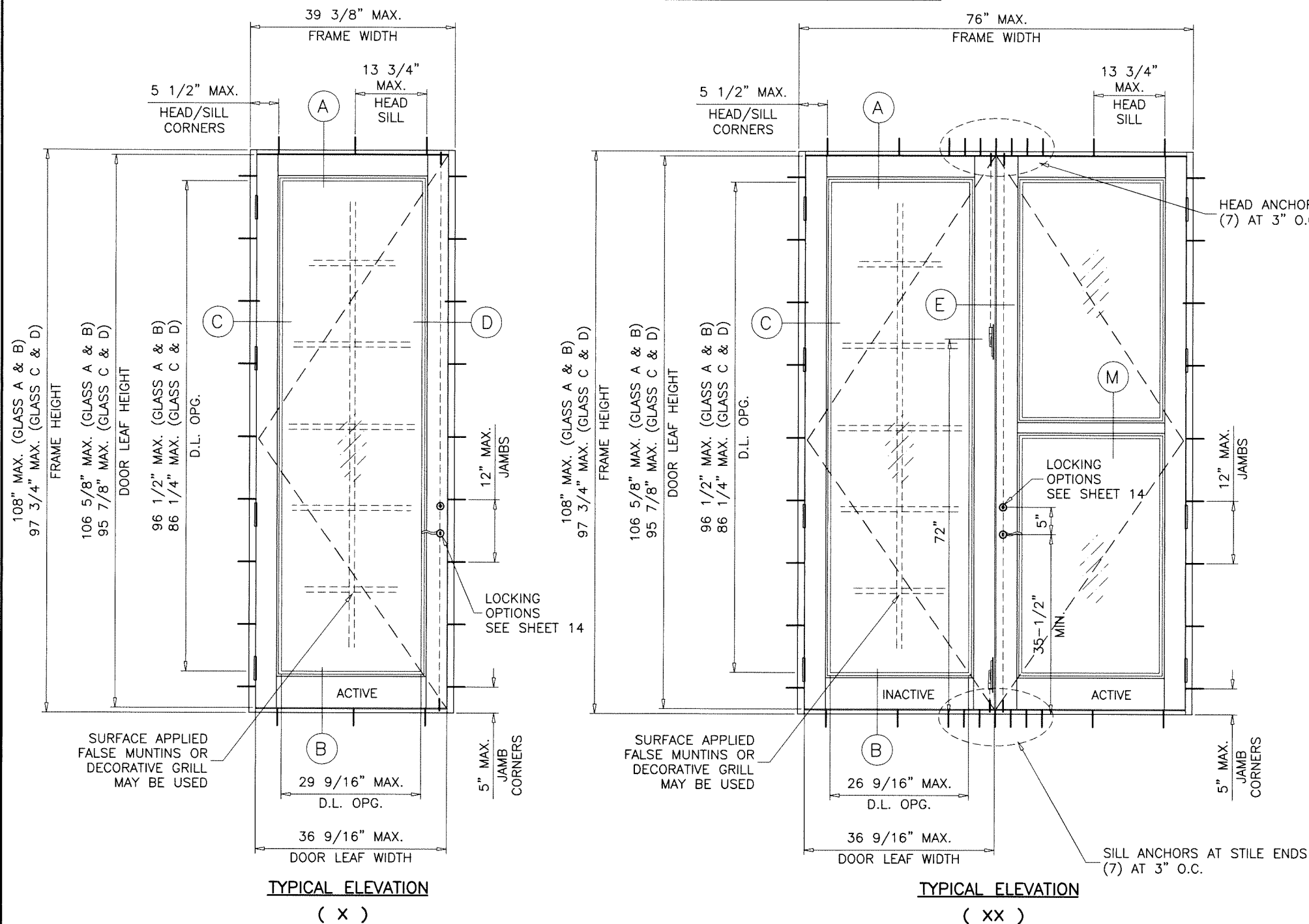
no	date	description
A	11.07.17	UPDATED TO 2017 FBC
B	12.05.18	COMPANY NAME REV.
C	09.02.20	UPDATED TO 2020 FBC
D	07.25.23	UPDATED TO 2023 FBC

date: 07-30-15
 scale: 1/2"=1'-0"
 dr. by: TARIQ
 chk. by:

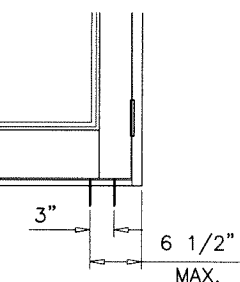
drawing no.
W15-45

sheet 1 of 16

DOORS WITH STD. 3 POINT LOCKING HARDWARE



SEE SHEET 14 FOR LOCKING OPTIONS AT ACTIVE & INACTIVE LEAFS.



SILL CORNER ANCHORS AT ADA THRESHOLD ONLY

DOORS LOAD CAPACITY - PSF																
SINGLE (X) OR DOUBLE (XX) DOORS WITHOUT TRANSOM																
SINGLE DOOR (X) DIMS.		DOUBLE DOOR (XX) DIMS.		GLASS						LOCKS						HINGES
				TYPE 'A'		TYPE 'B'		TYPES 'C' & 'D'		TYPES 1, 3		TYPE 4		TYPE 5		QUANTITY PER LEAF
FRAME WIDTH	FRAME HEIGHT	FRAME WIDTH	FRAME HEIGHT	EXT.(+)	INT.(-)	EXT.(+)	INT.(-)	EXT.(+)	INT.(-)	EXT.(+)	INT.(-)	EXT.(+)	INT.(-)	EXT.(+)	INT.(-)	
39-3/8"	80"	76"	80"	70.0	70.0	80.0	80.0	60.0	60.0	80.0	80.0	60.0	60.0	62.0	62.0	3
39-3/8"	97-3/4"	76"	97-3/4"	70.0	70.0	80.0	80.0	60.0	60.0	80.0	80.0	60.0	60.0	62.0	62.0	4
39-3/8"	108"	76"	108"	70.0	70.0	80.0	80.0	-	-	80.0	80.0	-	-	-	-	4

EXT.(+) DESIGN LOAD IS BASED ON STD. SILL
SEE SHEET 1 FOR GLASS TYPES DESCRIPTION.
SEE SHEET 14 FOR LOCKS AND HINGES DESCRIPTION.

GLASS D.L.O. FORMULAE:
D.L.O. WIDTH = FRAME WIDTH - 9.813" (X DOORS)
= (FRAME WIDTH - 22.875")/2 (XX DOORS)
* D.L.O. HEIGHT = FRAME HEIGHT - 11.5" (4" BOTTOM RAIL)
= FRAME HEIGHT - 13.5" (6" BOTTOM RAIL)
= FRAME HEIGHT - 15.5" (8" BOTTOM RAIL)
* USING #20305 (1/2" HT.) THRESHOLD

NOTE:
GLASS CAPACITIES ON THIS SHEET ARE
BASED ON ASTM E1300-09 (3 SEC. GUSTS)
AND FLORIDA BUILDING COMMISSION
DECLARATORY STATEMENT DCA05-DEC-219

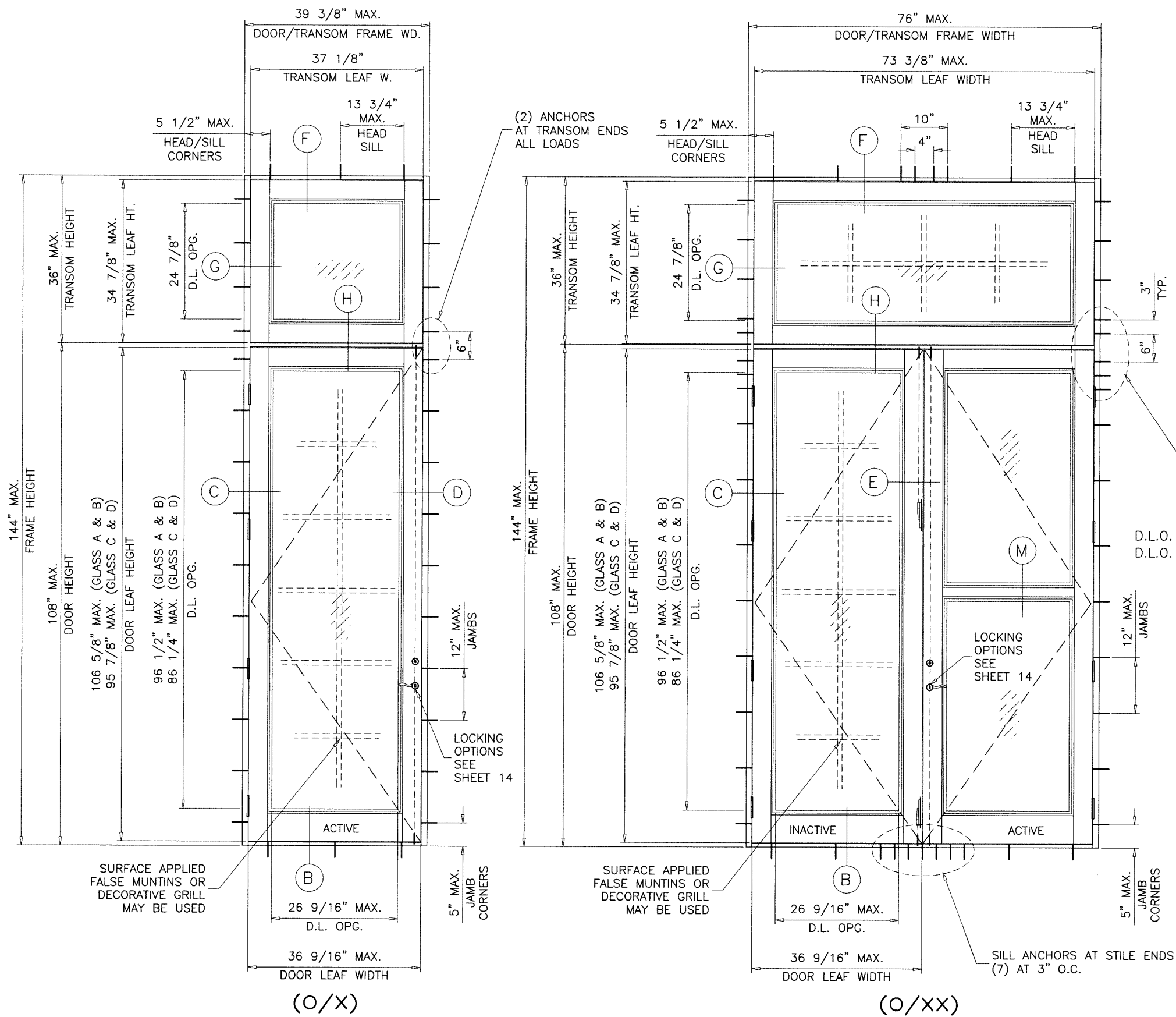


Sealed: 7/25/2023
FL #34006

AL-FAROOQ CORPORATION
ENGINEERS & PRODUCT DEVELOPMENT
9360 SUNSET DRIVE, SUITE 220
MIAMI, FLORIDA 33173 (C.A.N. 3538)
TEL. (305) 264-8100 FAX. (305) 262-6978
COMP-ANL\W15-45SIW

Coastline Outswing French Door/Entry Door IZ4 (9')
MARVIN
PO Box 100, 401 State Ave. N.
Warroad, MN. 56763
Tel. (218) 386-1430 Ext. 2143

revisions:	no	date	description
date:	07-30-15	scale:	1/2"=1'-0"
dr. by:	TARIQ	chk. by:	
drawing no.	W15-45		
sheet	2 of 16		



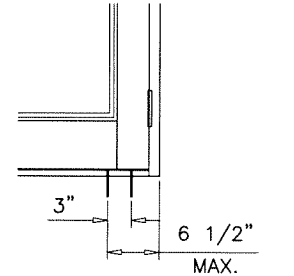
SINGLE OR DOUBLE DOORS WITH TRANSOM CAPACITY - PSF

FRAME/ TRANSOM WIDTH	DOOR HEIGHT	TRANSOM HEIGHT	GLASS TYPE 'A'		GLASS TYPE 'B'		GLASS TYPE 'C' & 'D'	
			EXT.(+)	INT.(-)	EXT.(+)	INT.(-)	EXT.(+)	INT.(-)
72" (XX)	96"	24"	68.4	68.4	68.4	68.4	60.0	60.0
		30"	65.1	65.1	65.1	65.1	60.0	60.0
		36"	62.2	62.2	62.2	62.2	60.0	60.0
76" (XX)	96"	24"	61.0	61.0	61.0	61.0	60.0	60.0
		30"	58.1	58.1	58.1	58.1	58.1	58.1
		36"	55.4	55.4	55.4	55.4	55.4	55.4
72" (XX)	108"	24"	62.2	62.2	62.2	62.2	-	-
		30"	59.5	59.5	59.5	59.5	-	-
		36"	57.0	57.0	57.0	57.0	-	-
76" (XX)	108"	24"	55.4	55.4	55.4	55.4	-	-
		30"	53.0	53.0	53.0	53.0	-	-
		36"	50.8	50.8	50.8	50.8	-	-
39 3/8" (X)	96"	36"	70.0	70.0	80.0	80.0	60.0	60.0
39 3/8" (X)	108"	36"	70.0	70.0	80.0	80.0	-	-

EXT.(+) DESIGN LOAD IS BASED ON STD. SILL
FOR LOCKS AND HINGES LIMITATIONS SEE SHEETS 2 & 14.

(5) ANCHORS
AT TRANSOM ENDS
ALL LOADS

D.L.O. HEIGHT (TRANSOM) = TRANSOM LEAF HEIGHT - 10"
D.L.O. WIDTH (TRANSOM) = TRANSOM LEAF WIDTH - 10"



SILL CORNER ANCHORS
AT ADA THRESHOLD ONLY



Sealed: 7/25/2023
FL #34006

af c
AL-FAROOQ CORPORATION
ENGINEERS & PRODUCT DEVELOPMENT
9360 SUNSET DRIVE, SUITE 220
MIAMI, FLORIDA 33173 (C.A.N. 3538)
TEL. (305) 264-8100 FAX. (305) 262-6978
COMP-ANL\W15-45SIW

Coastline Outswing French Door/Entry Door IZ4 (9)
MARVIN
PO Box 100, 401 State Ave. N.
Warroad, MN. 56763
Tel. (218) 386-1430 Ext. 2143

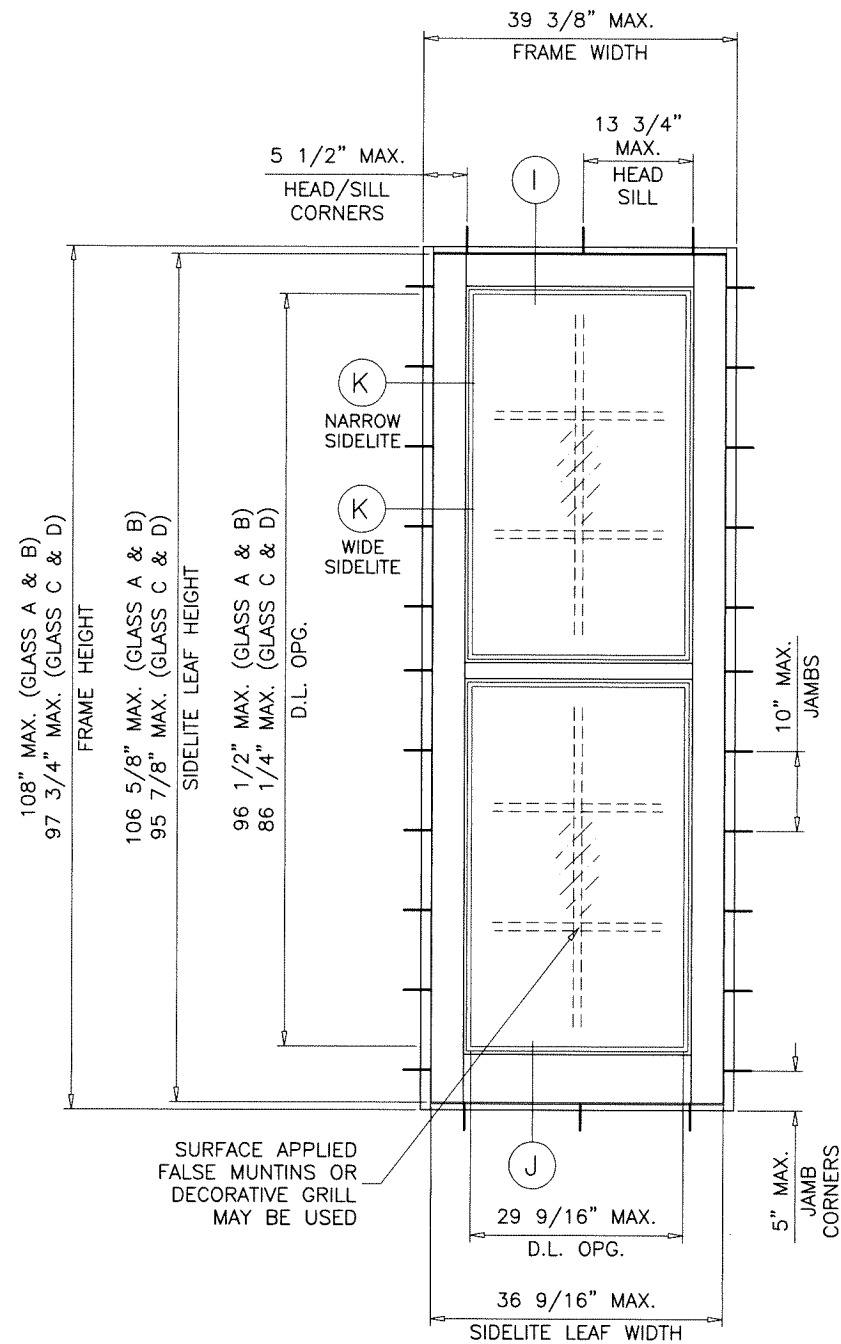
no	date	by	description

date: 07-30-15
scale: 1/2"=1'-0"
dr. by: TARIQ
chk. by:

drawing no.
W15-45
sheet 4 of 16

SINGLE (STATIONARY) SIDELITE UNIT

(SEE DETAIL IN SHEET 11)



TYPICAL ELEVATION

(0)

SIDELITE LOAD CAPACITY - PSF STAND ALONE STATIONARY PANEL (0)							
SIDELITE DIMS.		GLASS TYPE 'A'		GLASS TYPE 'B'		GLASS TYPES 'C' & 'D'	
FRAME WIDTH	FRAME HEIGHT	EXT.(+)	INT.(-)	EXT.(+)	INT.(-)	EXT.(+)	INT.(-)
39-3/8"	97-3/4"	70.0	70.0	80.0	80.0	60.0	60.0
39-3/8"	108"	70.0	70.0	80.0	80.0	-	-

afc

AL-FAROOQ CORPORATION
ENGINEERS & PRODUCT DEVELOPMENT
9360 SUNSET DRIVE, SUITE 220
MIAMI, FLORIDA 33173 (C.A.N. 3538)
TEL. (305) 264-8100 FAX. (305) 262-6978

COMP-ANL\W15-45SIW

Coastline Outswing French Door/Entry Door IZ4 (9')



PO Box 100, 401 State Ave. N.
Warroad, MN. 56763
Tel. (218) 386-1430 Ext. 2143

no	date	by	description

date: 07-30-15
scale: 1/2"=1'-0"
dr. by: TARIQ
chk. by:

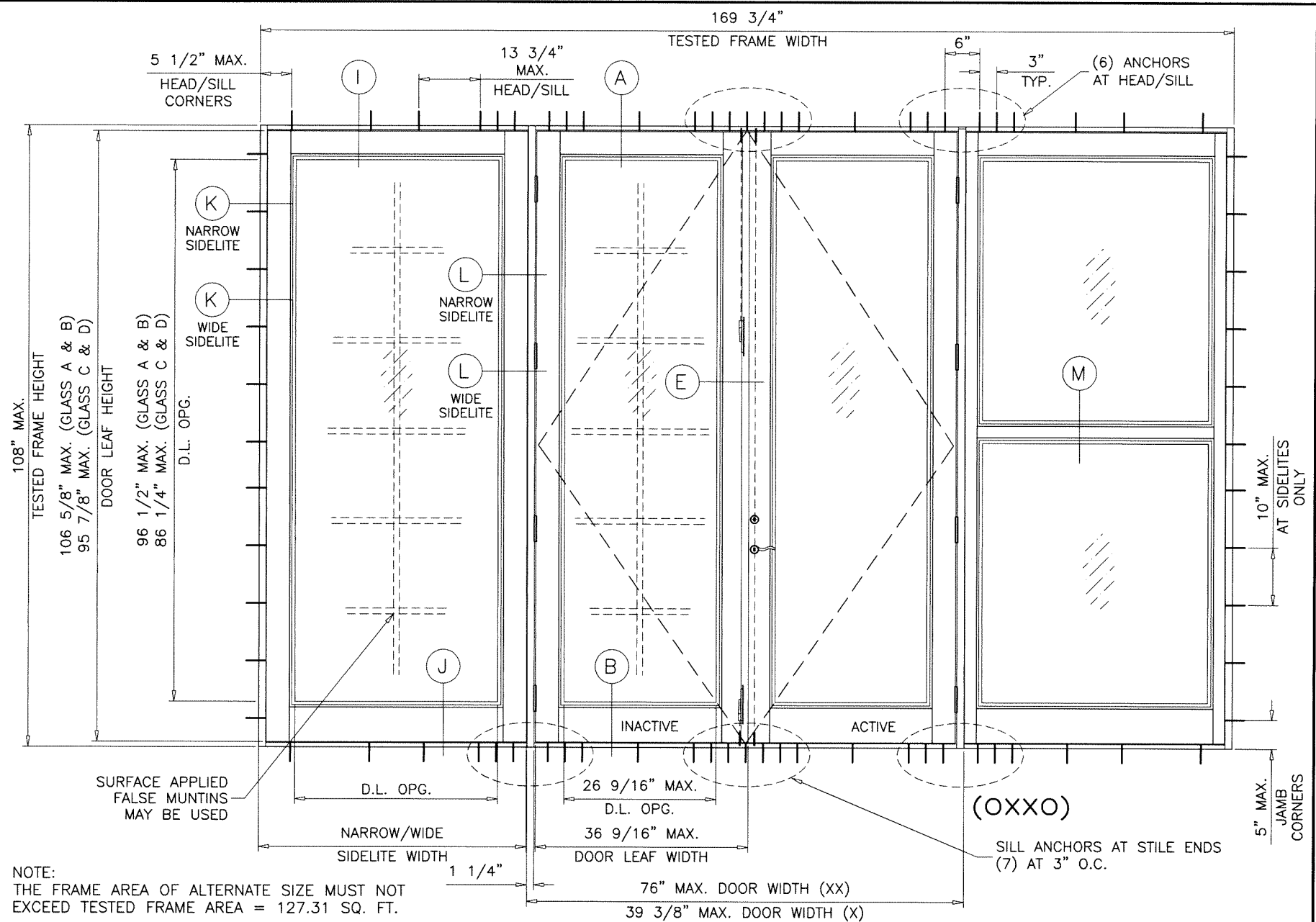


Sealed: 7/25/2023
FL #34006

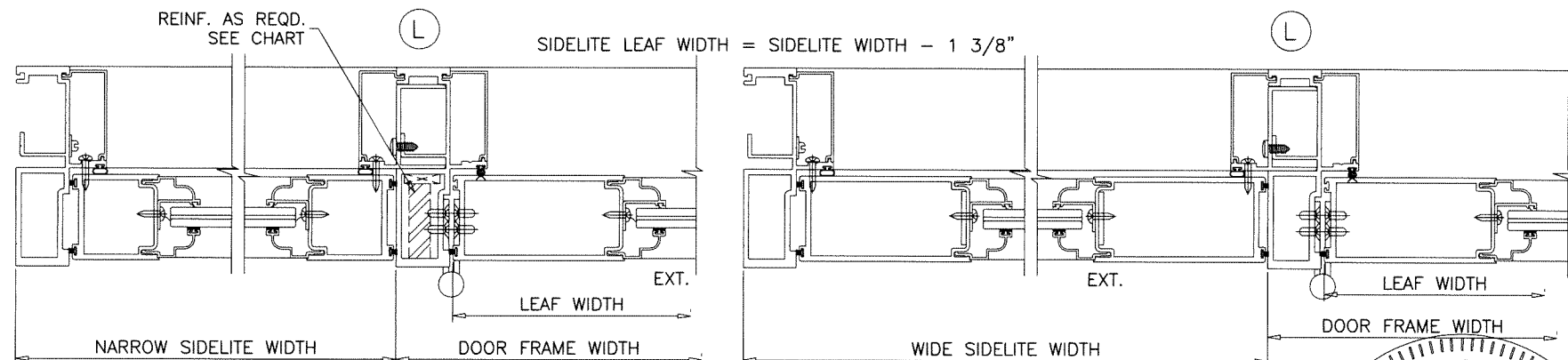
drawing no.
W15-45
sheet 4.1 of 16

DESIGN LOAD CAPACITY - PSF SIDELITES WITH SINGLE OR DOUBLE LEAF DOORS									
SIDELITE WIDTH INCHES	DOOR FRAME HEIGHT INCHES	GLASS TYPE 'A' (SEE NOTE BELOW) GLASS TYPE 'B'				GLASS TYPES 'C' & 'D'			
		NARROW STILE SIDELITE W/O REINF.		NARROW STILE SIDELITE WITH REINF.		WIDE STILE SIDELITE W/O REINF.		WIDE STILE SIDELITE WITH REINF.	
		EXT.(+)	INT.(-)	EXT.(+)	INT.(-)	EXT.(+)	INT.(-)	EXT.(+)	INT.(-)
30	46-7/8	80.0	80.0	80.0	80.0	80.0	80.0	60.0	60.0
36		80.0	80.0	80.0	80.0	80.0	80.0	60.0	60.0
42		80.0	80.0	80.0	80.0	80.0	80.0	60.0	60.0
48		80.0	80.0	80.0	80.0	80.0	80.0	-	-
52		73.8	73.8	73.8	73.8	73.8	73.8	-	-
54		71.1	71.1	71.1	71.1	71.1	71.1	-	-
56		68.6	68.6	68.6	68.6	68.6	68.6	-	-
60		64.0	64.0	64.0	64.0	64.0	64.0	-	-
30	84	80.0	80.0	80.0	80.0	80.0	80.0	60.0	60.0
36		80.0	80.0	80.0	80.0	80.0	80.0	60.0	60.0
42		80.0	80.0	80.0	80.0	80.0	80.0	60.0	60.0
48		80.0	80.0	80.0	80.0	80.0	80.0	-	-
52		73.8	73.8	73.8	73.8	73.8	73.8	-	-
54		71.1	71.1	71.1	71.1	71.1	71.1	-	-
56		68.6	68.6	68.6	68.6	68.6	68.6	-	-
60		64.0	64.0	64.0	64.0	64.0	64.0	-	-
30	90	80.0	80.0	80.0	80.0	80.0	80.0	60.0	60.0
36		80.0	80.0	80.0	80.0	80.0	80.0	60.0	60.0
42		80.0	80.0	80.0	80.0	80.0	80.0	-	-
48		80.0	80.0	80.0	80.0	80.0	80.0	-	-
52		73.8	73.8	73.8	73.8	73.8	73.8	-	-
54		71.1	71.1	71.1	71.1	71.1	71.1	-	-
56		68.6	68.6	68.6	68.6	68.6	68.6	-	-
60		64.0	64.0	64.0	64.0	64.0	64.0	-	-
30	96	80.0	80.0	80.0	80.0	80.0	80.0	60.0	60.0
36		80.0	80.0	80.0	80.0	80.0	80.0	60.0	60.0
42		80.0	80.0	80.0	80.0	80.0	80.0	-	-
48		76.0	76.0	76.0	76.0	76.0	76.0	-	-
52		75.1	75.1	75.1	75.1	75.1	75.1	-	-
54		71.8	71.8	71.8	71.8	71.8	71.8	-	-
56		70.2	70.2	70.2	70.2	70.2	70.2	-	-
60		64.0	64.0	64.0	64.0	64.0	64.0	-	-
30	97-3/4	80.0	80.0	80.0	80.0	80.0	80.0	60.0	60.0
36		80.0	80.0	80.0	80.0	80.0	80.0	60.0	60.0
42		79.1	79.1	79.1	79.1	79.1	79.1	-	-
48		74.7	74.7	74.7	74.7	74.7	74.7	-	-
52		73.7	73.7	73.7	73.7	73.7	73.7	-	-
56		70.5	70.5	70.5	70.5	70.5	70.5	-	-
60		64.0	64.0	64.0	64.0	64.0	64.0	-	-
60		64.0	64.0	64.0	64.0	64.0	64.0	-	-
30	102"	80.0	80.0	80.0	80.0	80.0	80.0	-	-
36		80.0	80.0	80.0	80.0	80.0	80.0	-	-
42		75.8	75.8	75.8	75.8	75.8	75.8	-	-
48		71.6	71.6	71.6	71.6	71.6	71.6	-	-
52		70.6	70.6	70.6	70.6	70.6	70.6	-	-
56		64.0	64.0	64.0	64.0	64.0	64.0	-	-
60		64.0	64.0	64.0	64.0	64.0	64.0	-	-
60		64.0	64.0	64.0	64.0	64.0	64.0	-	-
30	108"	79.7	79.7	80.0	80.0	80.0	80.0	-	-
36		73.2	73.2	77.3	77.3	77.3	77.3	-	-
42		67.7	67.7	71.6	71.6	71.6	71.6	-	-
48		63.7	63.7	67.6	67.6	67.6	67.6	-	-
52		62.9	62.9	66.7	66.7	66.7	66.7	-	-
56		62.9	62.9	66.7	66.7	66.7	66.7	-	-
60		62.9	62.9	66.7	66.7	66.7	66.7	-	-
60		62.9	62.9	66.7	66.7	66.7	66.7	-	-

FOR GLASS TYPE 'A' LIMIT MAX. DESIGN LOADS TO ±70.0 PSF
EXT.(+) DESIGN LOAD IS BASED ON STD. SILL



NOTE:
THE FRAME AREA OF ALTERNATE SIZE MUST NOT EXCEED TESTED FRAME AREA = 127.31 SQ. FT.



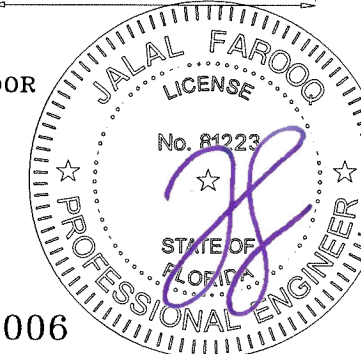
NARROW STILE
SIDELITE WITH DOOR
(W/O REINFORCEMENT)

WIDE STILE
SIDELITE WITH DOOR

INSTRUCTIONS: USE CHARTS AS FOLLOWS.

1. SELECT SINGLE OR DOUBLE DOORS CAPACITY, GLASS TYPES AND LOCKING OPTIONS FROM TABLES ON SHEETS 2 & 3.
2. SELECT LOWER OF SIDELITE TO DOOR MULLION CAPACITY FROM TABLE ABOVE.
3. LOWER VALUES FROM STEPS 1 OR 2 WILL APPLY TO ENTIRE SYSTEM.

Sealed: 7/25/2023
FL #34006



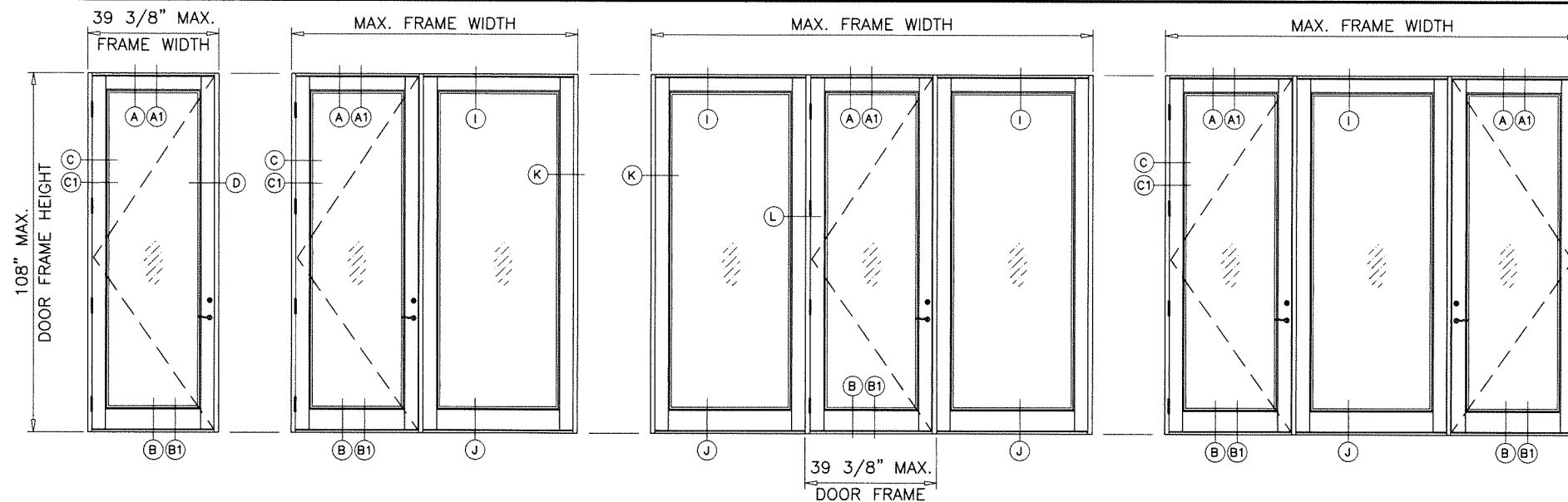
af c
AL-FAROOQ CORPORATION
ENGINEERS & PRODUCT DEVELOPMENT
9360 SUNSET DRIVE, SUITE 220
MIAMI, FLORIDA 33173 (C.A.N. 3538)
TEL. (305) 264-8100 FAX. (305) 262-6978
COMP-ANL\W15-4551W

Coastline Outswing French Door/Entry Door IZ4 (9')
MARVIN
PO Box 100, 401 State Ave. N.
Warroad, MN. 56763
Tel. (218) 386-1430 Ext. 2143

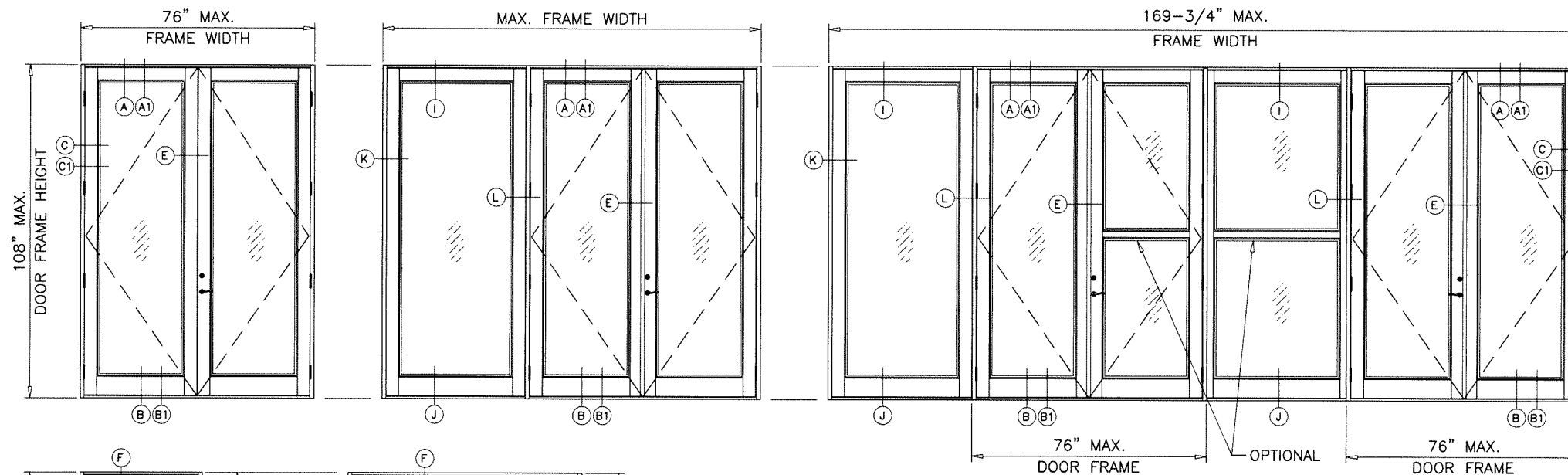
no	date	by	description

date: 07-30-15
scale: 1/2"=1'-0"
dr. by: TARIO
chk. by:

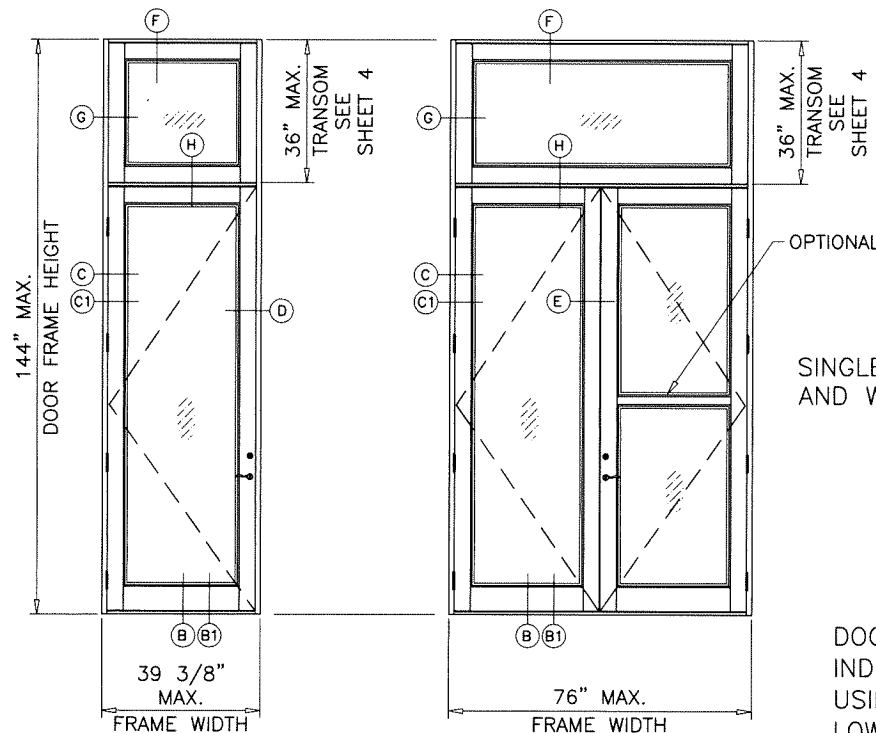
drawing no.
W15-45
sheet 5 of 16



SINGLE LEAF DOORS WITHOUT SIDELITES.
SINGLE LEAF DOORS WITH SINGLE SIDELITE AT
EITHER SIDE OF DOOR.



DOUBLE LEAF DOORS WITHOUT SIDELITES.
DOUBLE LEAF DOORS WITH SINGLE SIDELITE AT
EITHER SIDE OF DOOR.



SINGLE AND DOUBLE LEAF DOORS WITH TRANSOMS
AND WITHOUT SIDELITES

NOTE:
THE FRAME AREA OF ALTERNATE SIZE MUST NOT
EXCEED TESTED FRAME AREA = 127.31 SQ. FT.

SEE SHEETS 2 AND 3 FOR MAXIMUM DOOR WIDTHS AND HEIGHTS
SEE SHEET 5 FOR SIDELITE WIDTHS

D.L.O. HEIGHT (SIDELITE) = LEAF HEIGHT - 12" (4" TOP RAIL, 6" BOT. RAIL)
D.L.O. WIDTH (SIDE LITE) = LEAF WIDTH - 10" (WIDE STILES)
D.L.O. WIDTH (SIDE LITE) = LEAF WIDTH - 6" (NARROW STILES)

APPROVED CONFIGURATIONS

DOORS, SIDELITES AND TRANSOM COMBINATIONS SHOWN ABOVE CAN BE USED AS
INDIVIDUAL UNITS AS SHOWN OR IN COMBINATIONS WITH OTHER APPROVED PRODUCTS
USING F.B.C. APPROVED MULLION IN BETWEEN.
LOWER VALUES FROM DOOR, SIDELITE, MULLIONS OR APPROVED PRODUCTS USED WILL
APPLY TO ENTIRE SYSTEM.
TO BE APPROVED BY AJH (AUTHORITY HAVING JURISDICTION).

Sealed: 7/25/2023

FL #34006



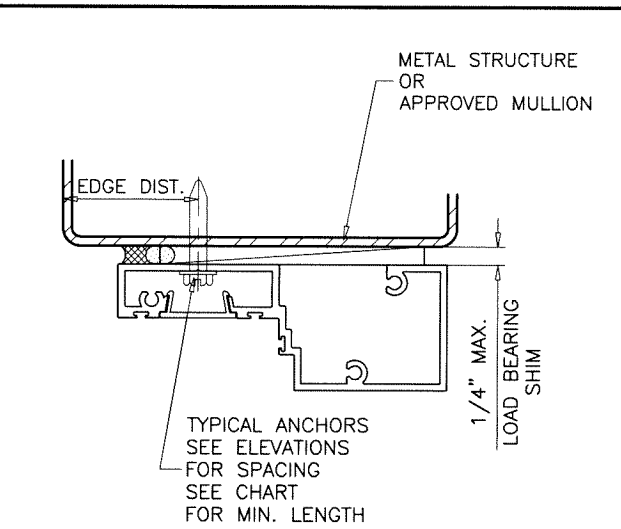
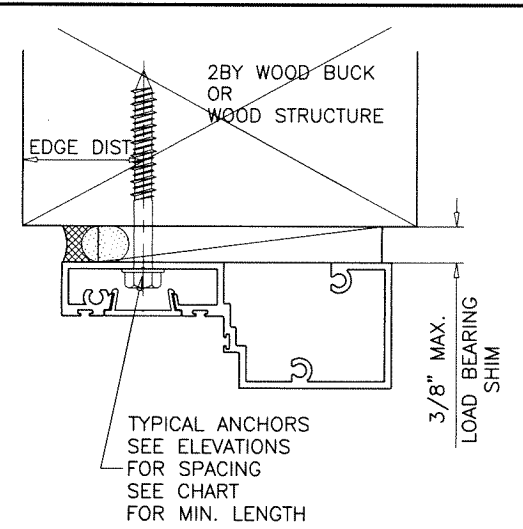
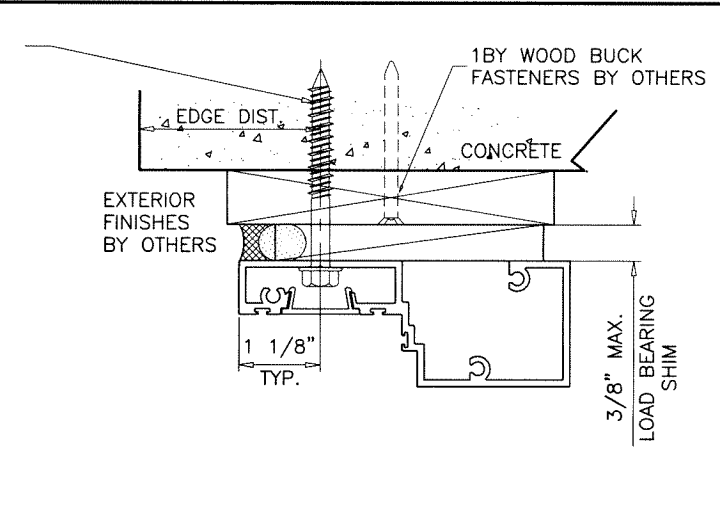
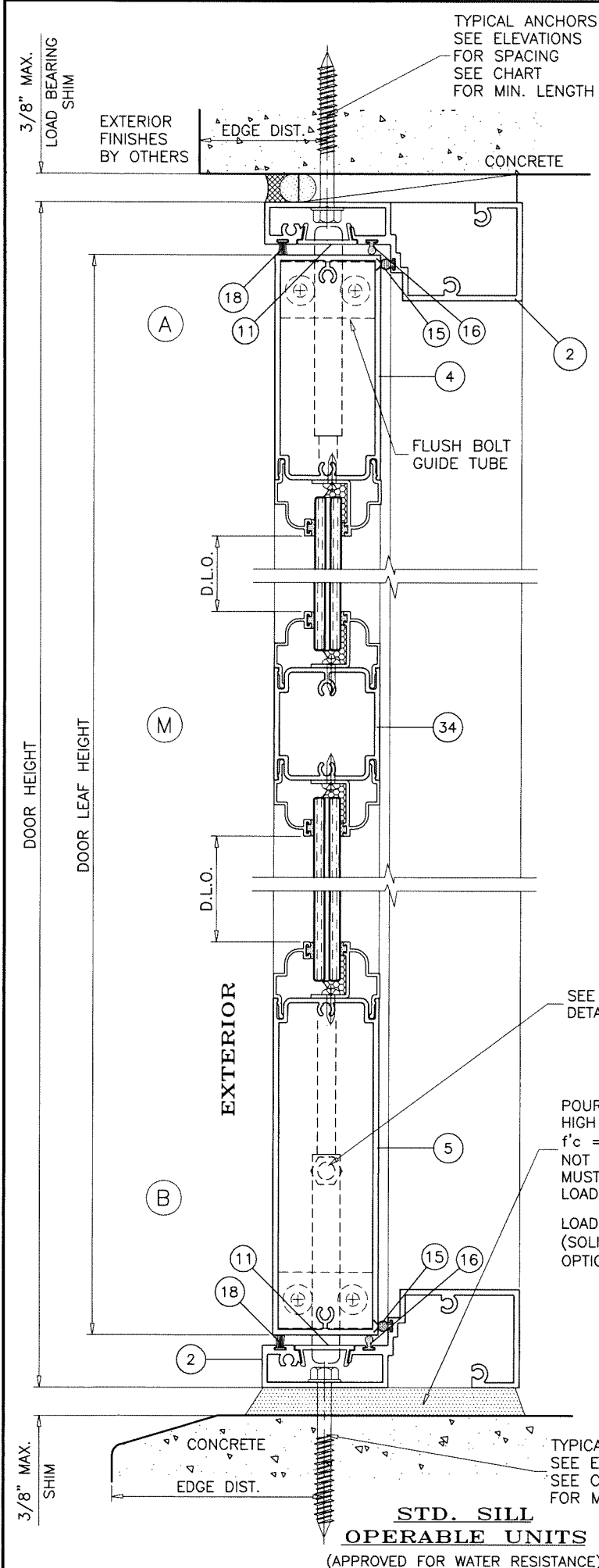
AL-FAROOQ CORPORATION
ENGINEERS & PRODUCT DEVELOPMENT
9360 SUNSET DRIVE, SUITE 220
MIAMI, FLORIDA 33173
TEL. (305) 264-8100 FAX. (305) 262-6978
C.A.N. 3538
COMP-ANL W15-45SIW

Coastline Outswing French Door/Entry Door IZ4 (9')
MARVIN
PO Box 100, 401 State Ave. N.
Warroad, MN. 56763
Tel. (218) 386-1430 Ext. 2143

no.	date	by	description

date: 07-30-15
scale: -
dr. by: TARIQ
chk. by:

drawing no.
W15-45
sheet 6 of 16



TYPICAL ANCHORS: SEE ELEV. FOR SPACING

ANCHORS TYPE	SUBSTRATE	AT HEAD		AT SILL		AT JAMBS	
		MIN. LENGTH	MIN. EDGE DIST.	MIN. LENGTH	MIN. EDGE DIST.	MIN. LENGTH	MIN. EDGE DIST.
1/4" DIA. ULTRACON+ BY 'DEWALT' (Fu=164 KSI, Fy=148 KSI)	WOOD	2-3/4"	1"	N.A.	N.A.	3-3/4"	1"
	MASONRY	N.A.	N.A.	N.A.	N.A.	3-3/4"	2-1/2"
	CONCRETE	2-3/4"	2-1/2"	2-3/4"	2-1/2"	3-3/4"	2-1/2"
1/4" DIA. SELF DRILLING SCREWS (GRADE 5 CRS)	METAL	3/4"	3/4"	N.A.	N.A.	3/4"	3/4"

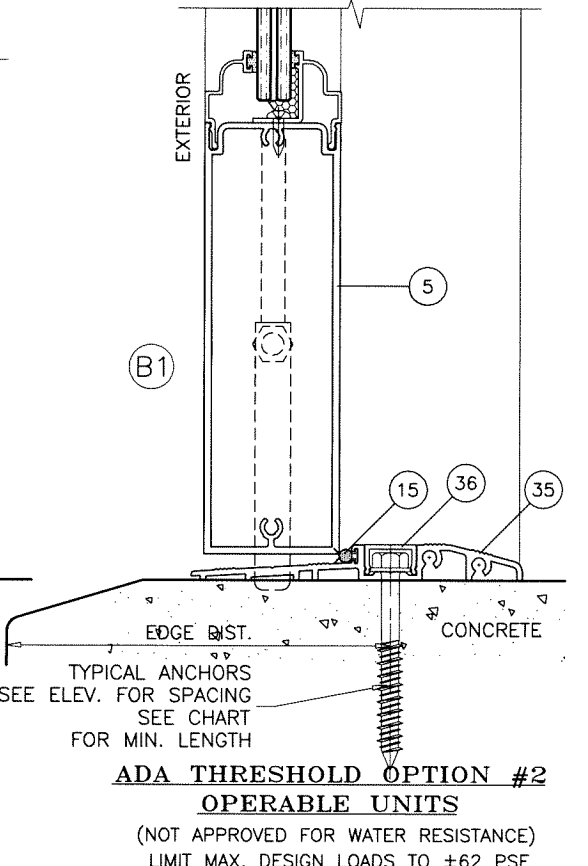
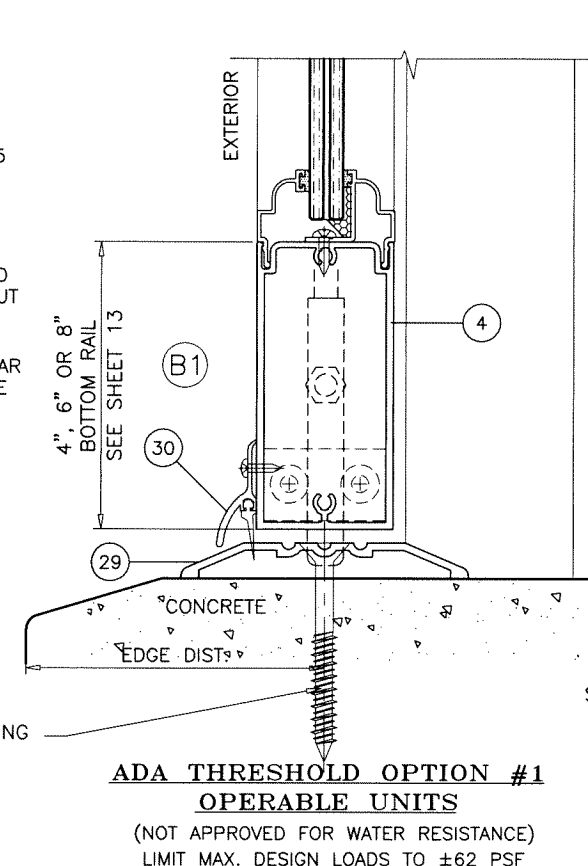
WOOD = 2BY WOOD BUCKS OR WOOD STRUCTURE S.G. = 0.55 MIN.
MASONRY = C-90 HOLLOW/FILLED BLOCK f'm = 2000 PSI MIN.
CONCRETE = f'c = 3000 PSI MIN.
METAL = 1/8" MIN. THK. STEEL Fu=58 KSI, Fy=36 KSI MIN.
F.B.C. APPROVED MULLION
1/8" MIN. THK. ALUMINUM (6063-T5, Fu=22 KSI)

1BY OR 2BY WOOD BUCKS AND METAL STRUCTURES NOT BY 'MARVIN' MUST SUSTAIN LOADS IMPOSED BY GLAZING SYSTEM AND TRANSFER THEM TO BUILDING STRUCTURE. ANCHORS MAY BE HEX OR FLAT HEAD.

SEE LEAF CORNER DETAIL ON SHEET 15

POURED & HARDENED HIGH STRENGTH GROUT f'c = 5000 PSI MIN. NOT BY 'MARVIN' MUST TRANSFER SHEAR LOADS TO STRUCTURE

LOAD BEARING (SOLID SHIMS OPTIONAL TO GROUT)



Sealed: 7/25/2023
FL #34006

AL-FAROOQ CORPORATION
ENGINEERS & PRODUCT DEVELOPMENT
9360 SUNSET DRIVE, SUITE 220
MIAMI, FLORIDA 33173
TEL. (305) 264-8100 FAX. (305) 262-6978
(C.A.N. 3538)

Coastline Outswing French Door/Entry Door IZ4 (9')

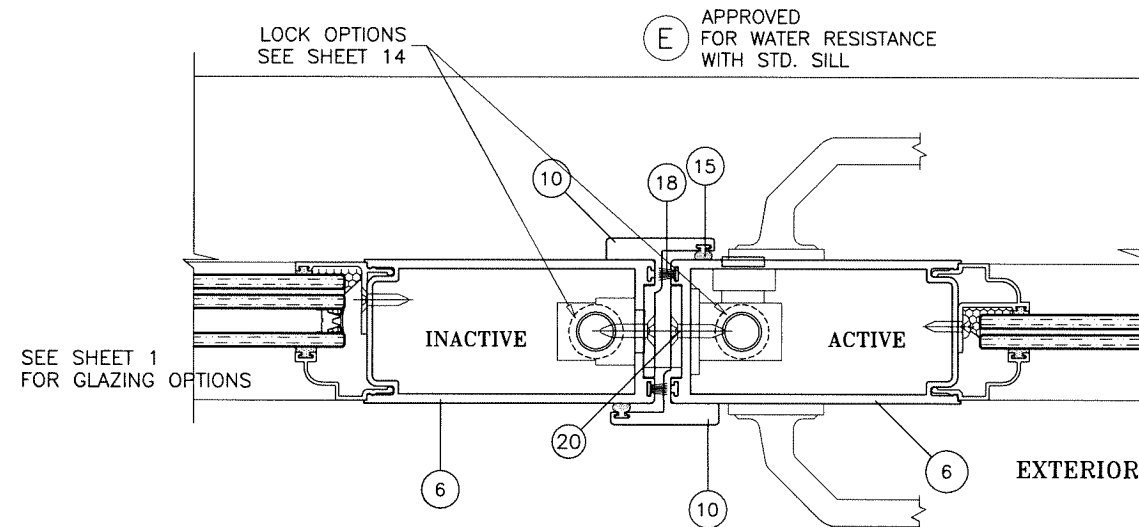
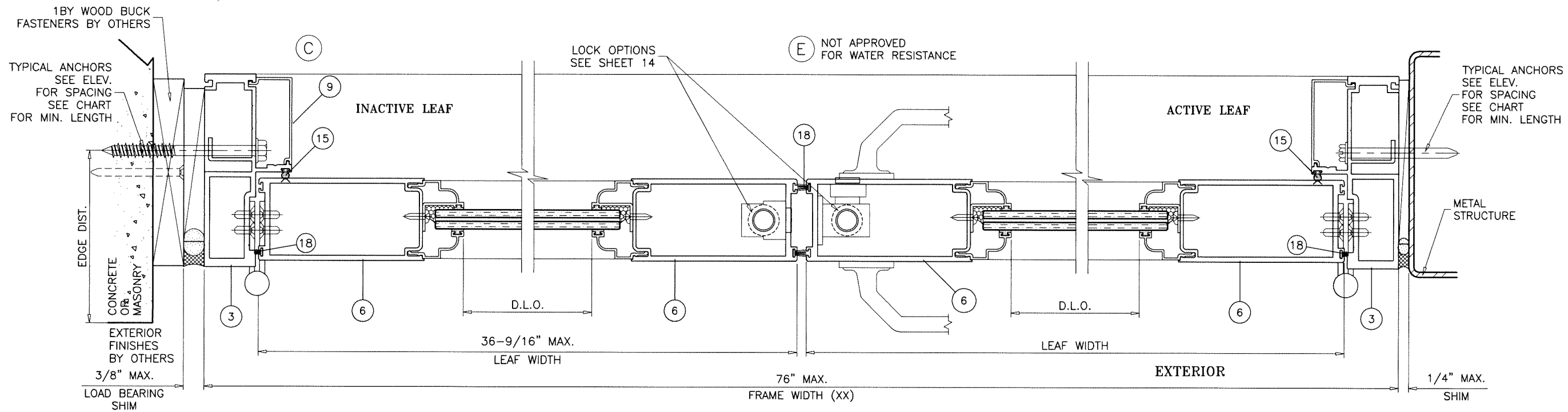
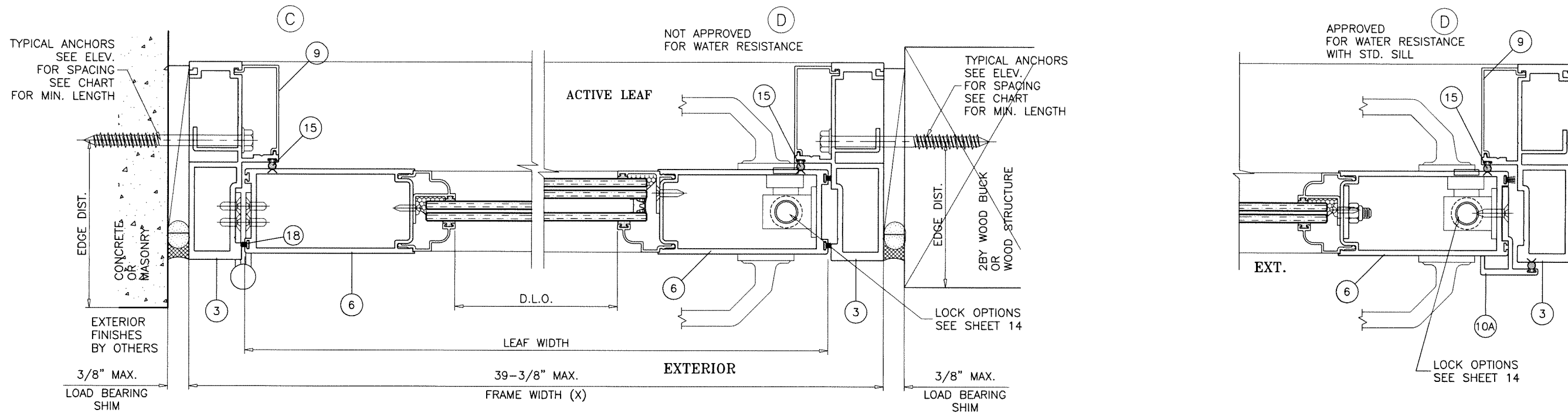
MARVIN
PO Box 100, 401 State Ave. N.
Warroad, MN. 56763
Tel. (218) 386-1430 Ext. 2143

revisions:	no	date	description

date: 07-30-15
scale: 3/8" = 1"
dr. by: TARIQ
chk. by:

drawing no.
W15-45

sheet 7 of 16



af c
AL-FAROOQ CORPORATION
 ENGINEERS & PRODUCT DEVELOPMENT
 9360 SUNSET DRIVE, SUITE 220
 MIAMI, FLORIDA 33173 (C.A.N. 3538)
 TEL. (305) 264-8100 FAX. (305) 262-6978
 COMP-ANL W15-45SIW

Coastline Outswing French Door/Entry Door IZ4 (9')
MARVIN
 PO Box 100, 401 State Ave. N.
 Warroad, MN. 56763
 Tel. (218) 386-1430 Ext. 2143

no	date	by	description

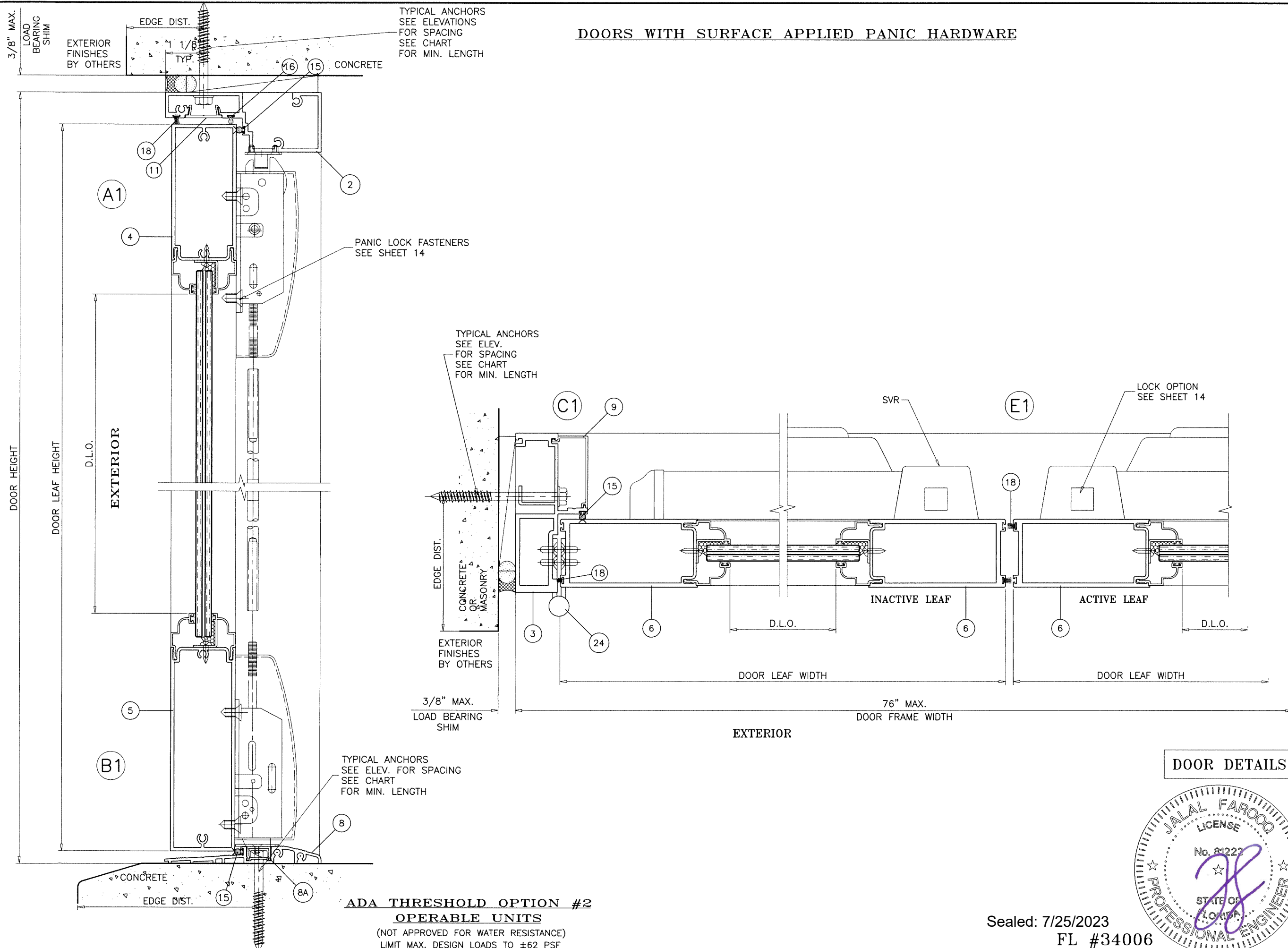
date: 07-30-15
 scale: 3/8" = 1"
 dr. by: TARIQ
 chk. by:
 drawing no.
W15-45
 sheet 8 of 16

Sealed: 7/25/2023
 FL #34006



DOOR DETAILS

DOORS WITH SURFACE APPLIED PANIC HARDWARE



af c

AL-FAROOQ CORPORATION
 ENGINEERS & PRODUCT DEVELOPMENT
 9360 SUNSET DRIVE, SUITE 220
 MIAMI, FLORIDA 33173 (C.A.N. 3538)
 TEL. (305) 264-8100 FAX. (305) 262-6978
 COMP-ANL W15-45SIW

Coastline Outswing French Door/Entry Door IZ4 (9')

MARVIN
 PO Box 100, 401 State Ave. N.
 Warroad, MN. 56763
 Tel. (218) 386-1430 Ext. 2143

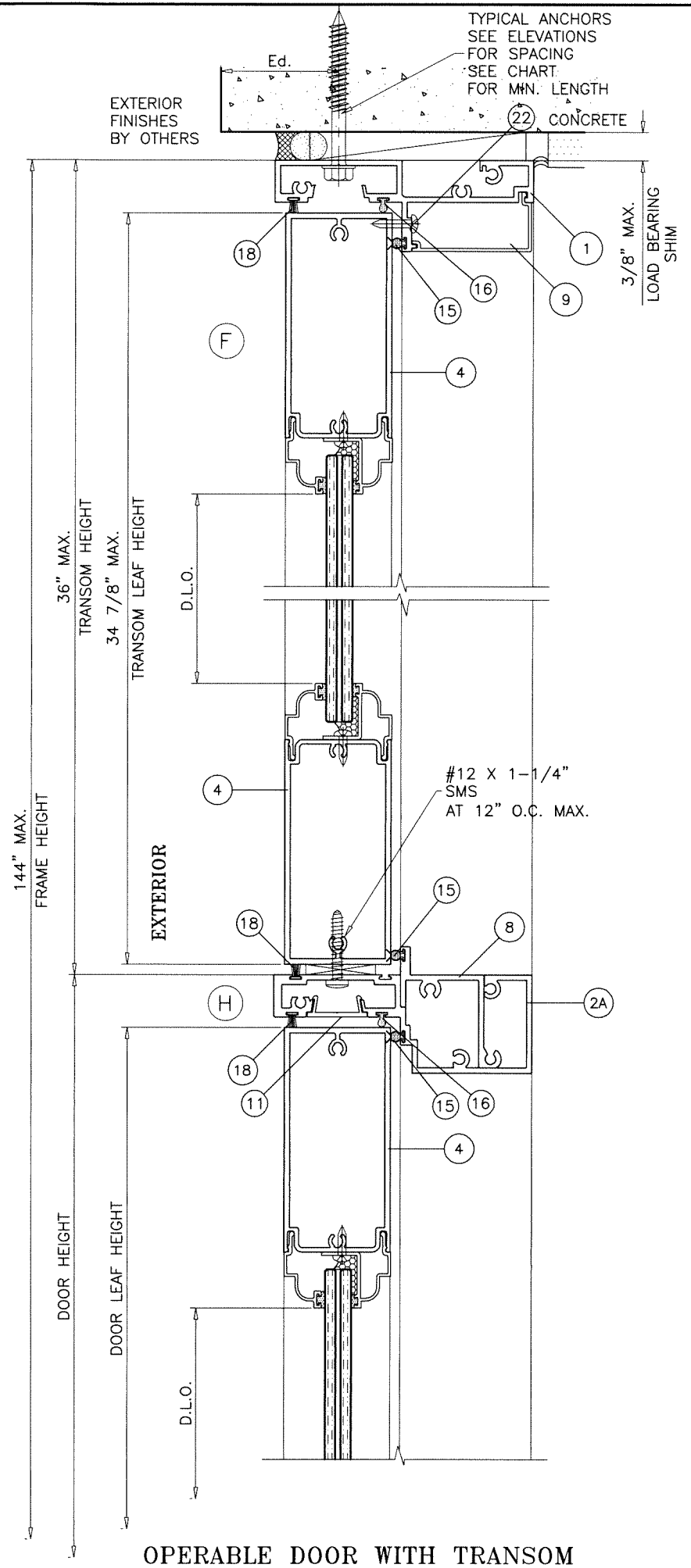
no	date	description

date: 07-30-15
 scale: 3/8" = 1"
 dr. by: TARIQ
 chk. by:

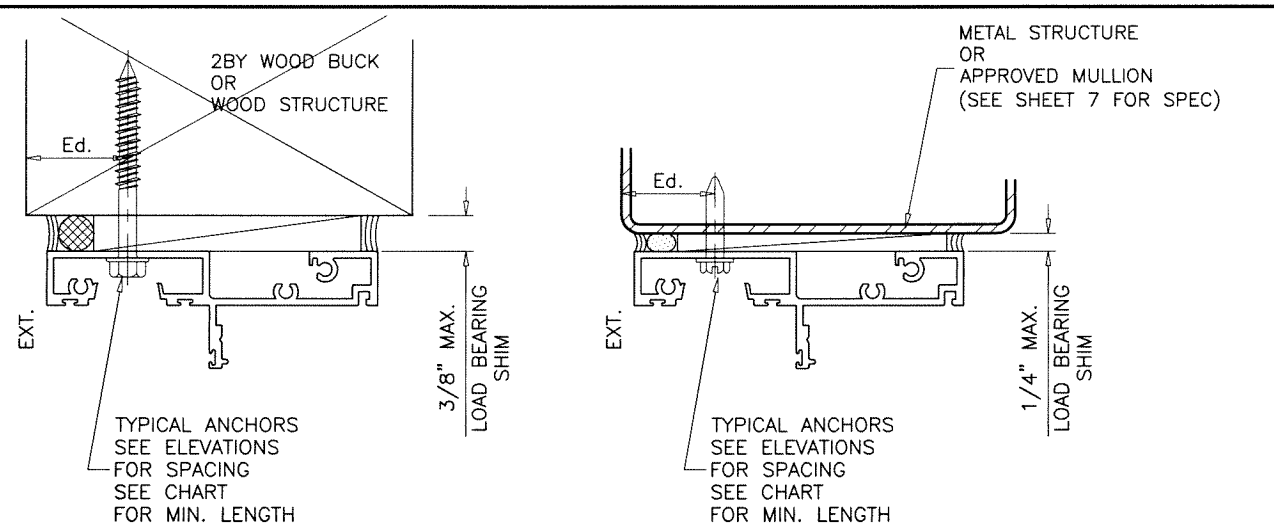
drawing no.
W15-45
 sheet 9 of 16



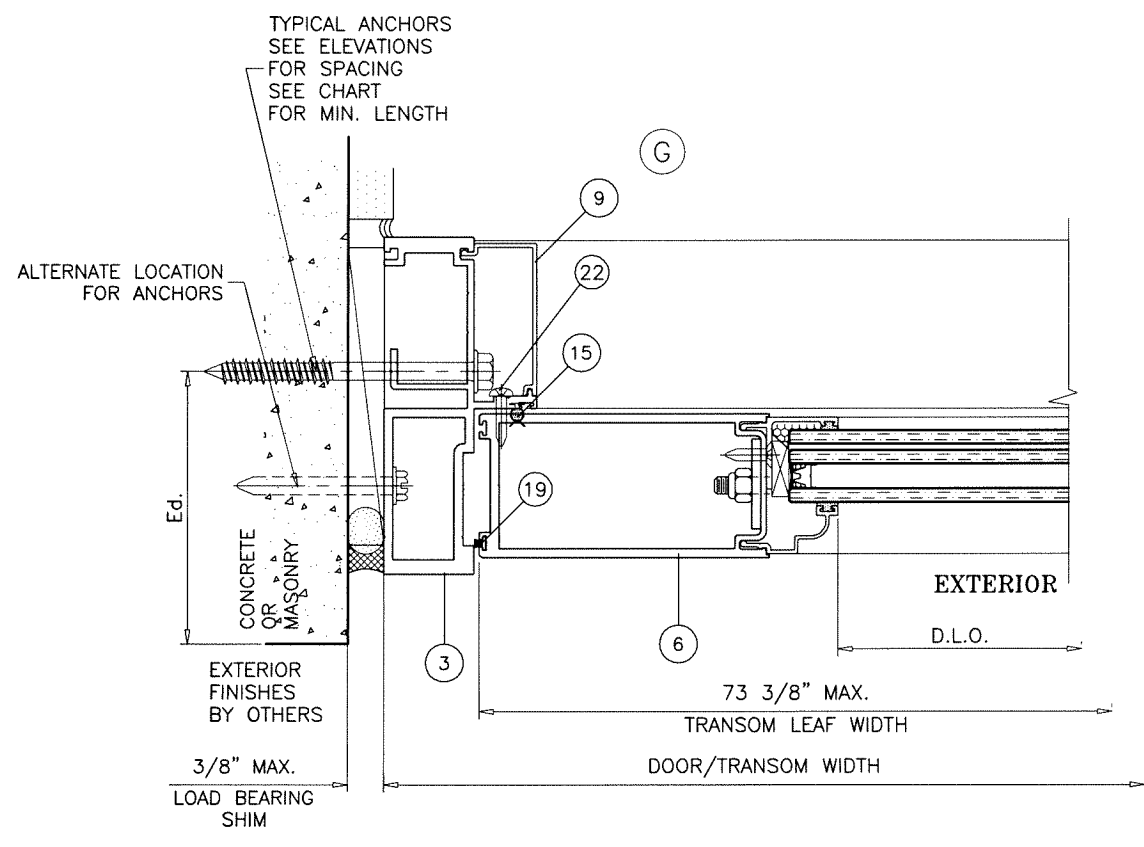
Sealed: 7/25/2023
 FL #34006



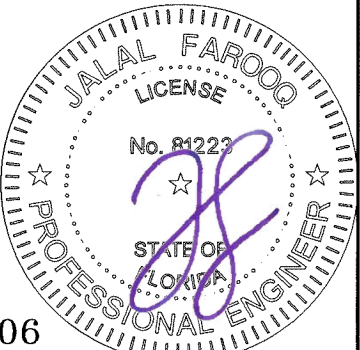
OPERABLE DOOR WITH TRANSOM



TRANSOM HEAD FRAME



TRANSOM DETAILS

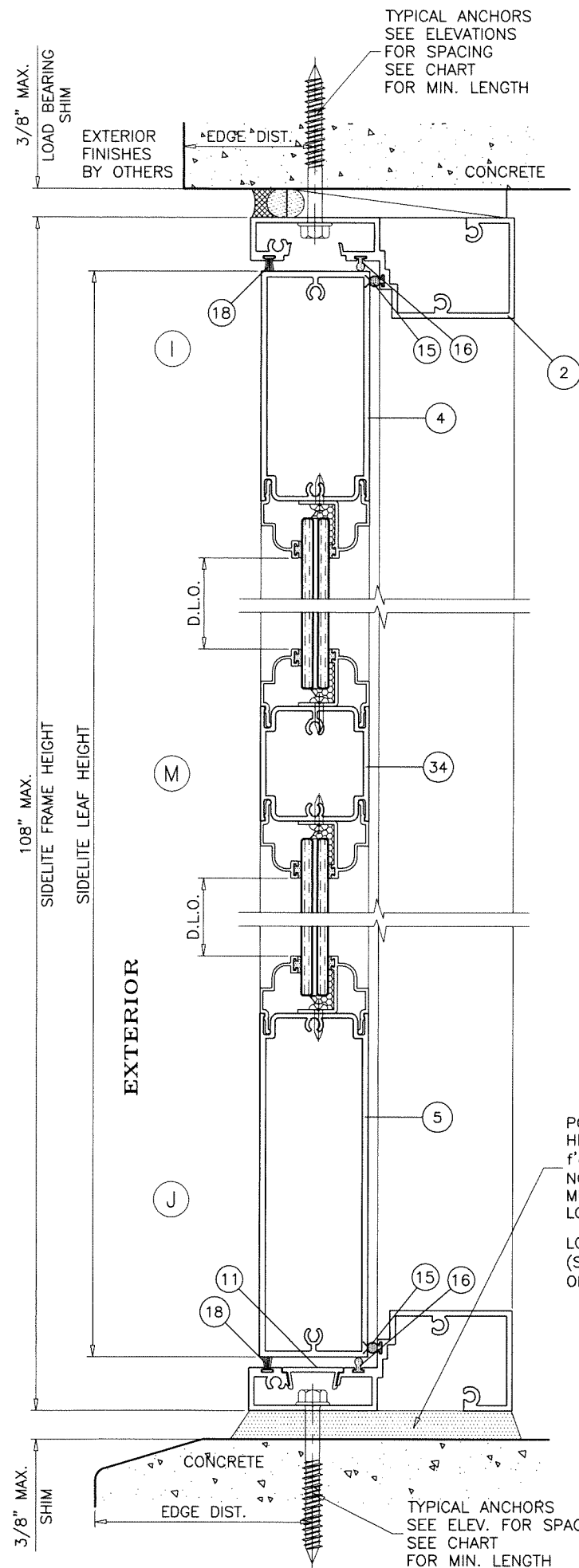


Sealed: 7/25/2023
FL #34006

af c
AL-FAROOQ CORPORATION
 ENGINEERS & PRODUCT DEVELOPMENT
 9360 SUNSET DRIVE, SUITE 220
 MIAMI, FLORIDA 33173 (C.A.N. 3538)
 TEL. (305) 264-8100 FAX. (305) 262-6978
 COMP-ANL W15-455IW

Coastline Outswing French Door/Entry Door IZ4 (9')
MARVIN
 PO Box 100, 401 State Ave. N.
 Warroad, MN. 56763
 Tel. (218) 386-1430 Ext. 2143

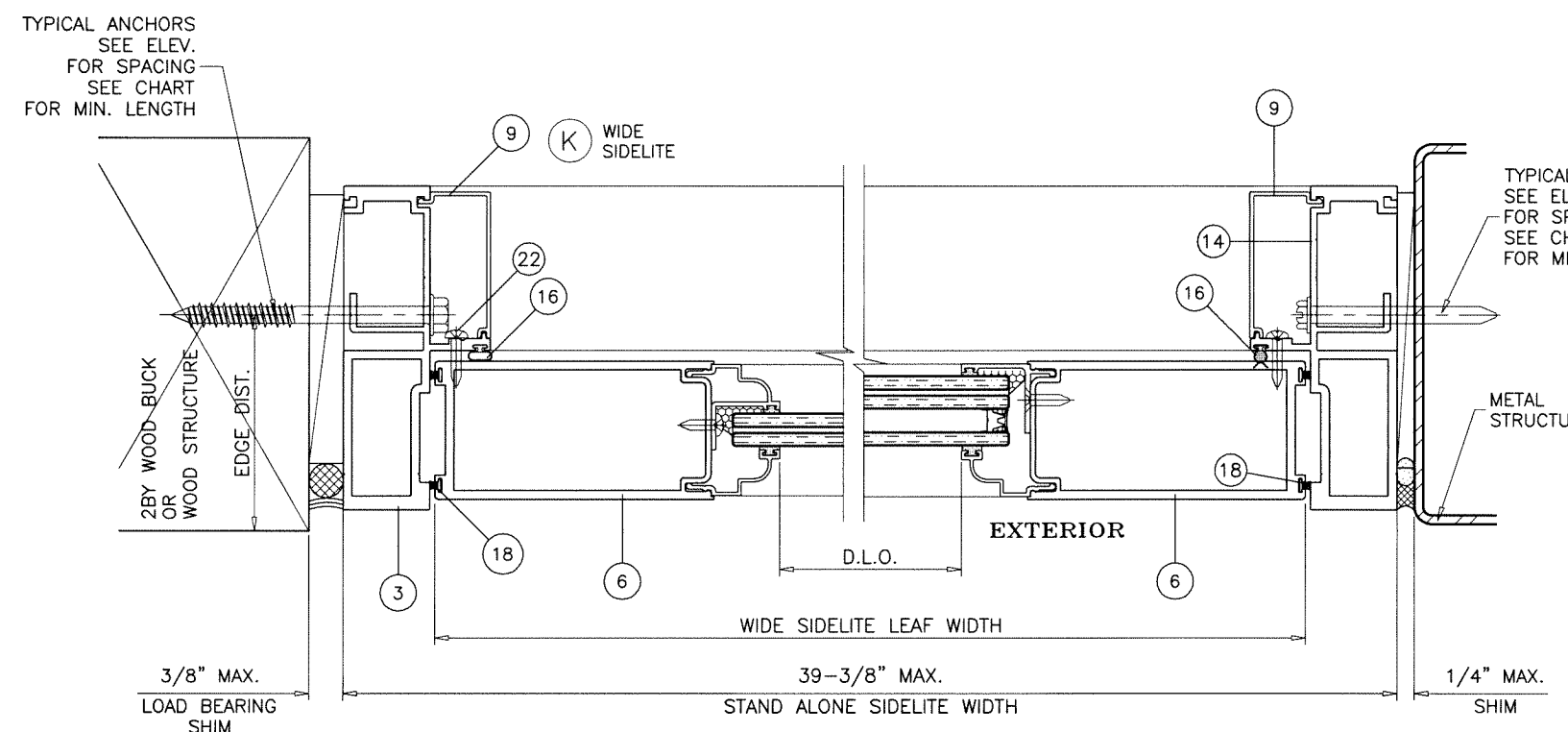
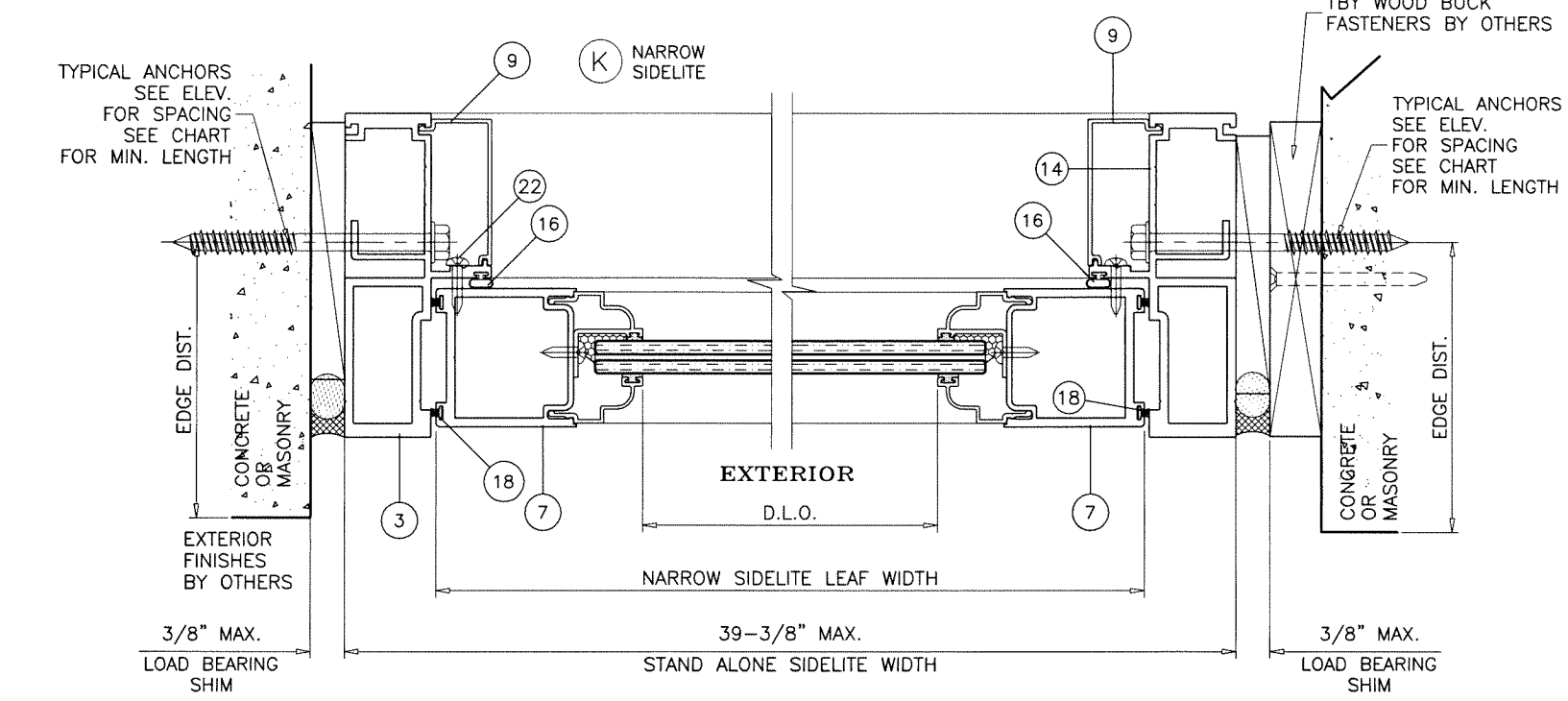
revisions:	no	date	by	description
date:	07-30-15	scale:	3/8" = 1"	
dr. by:	TARIQ	chk. by:		
drawing no.	W15-45			
sheet	10 of 16			



POURED & HARDENED HIGH STRENGTH GROUT $f'_c = 5000$ PSI MIN. NOT BY 'MARVIN' MUST TRANSFER SHEAR LOADS TO STRUCTURE

LOAD BEARING (SOLID SHIMS OPTIONAL TO GROUT)

STAND ALONE STATIONARY UNITS (SINGLE SIDELITE)



SIDELITE DETAILS

Sealed: 7/25/2023
FL #34006



af c

AL-FAROOQ CORPORATION
ENGINEERS & PRODUCT DEVELOPMENT
9360 SUNSET DRIVE, SUITE 220
MIAMI, FLORIDA 33173
TEL. (305) 264-8100 FAX. (305) 262-6978
(C.A.N. 3538)

Coastline Outswing French Door/Entry Door IZ4 (9')

MARVIN
PO Box 100, 401 State Ave. N.
Warroad, MN. 56763
Tel. (218) 386-1430 Ext. 2143

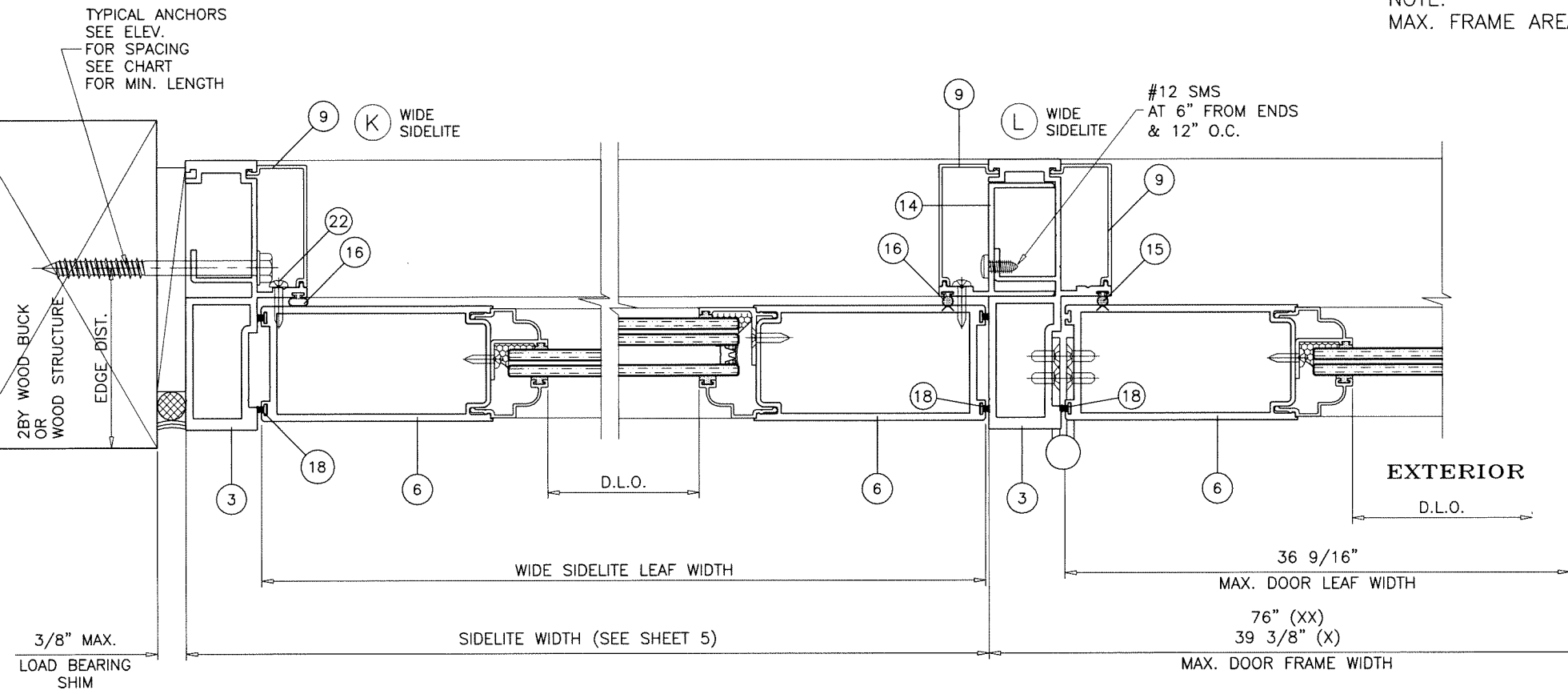
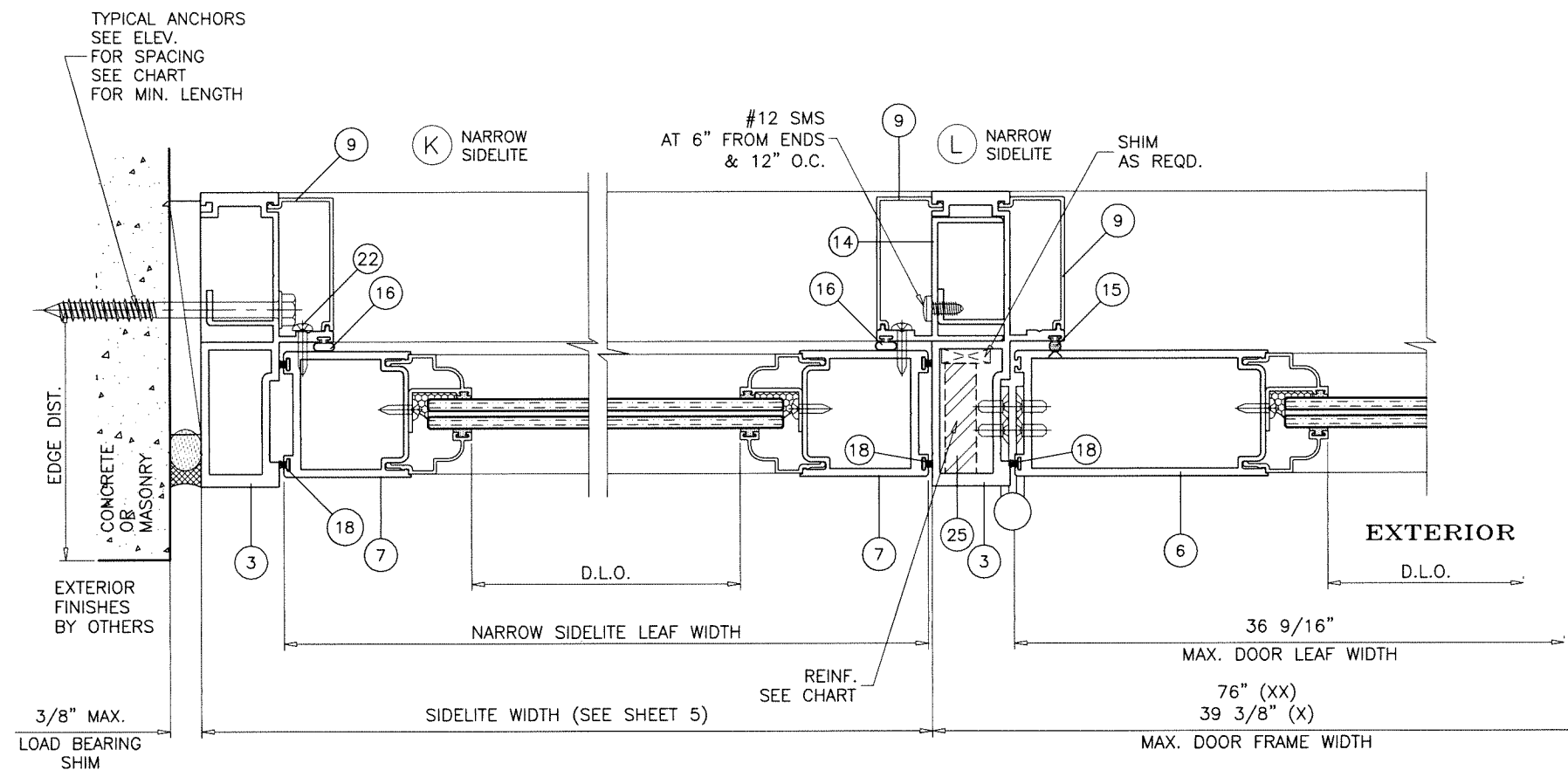
revisions:	no	date	by	description

date: 07-30-15
scale: 3/8" = 1"
dr. by: TARIQ
chk. by:

drawing no.
W15-45

sheet 11 of 16

COMP-ANL W15-45SW



NOTE:
MAX. FRAME AREA OF ALTERNATE SIZE NOT TO EXCEED=127.31 SQ. FT.

SIDELITE WITH DOOR DETAILS



Sealed: 7/25/2023
FL #34006

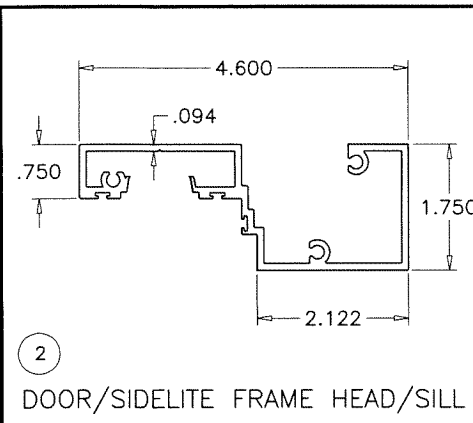
af c
AL-FAROOQ CORPORATION
ENGINEERS & PRODUCT DEVELOPMENT
9360 SUNSET DRIVE, SUITE 220
MIAMI, FLORIDA 33173 (C.A.N. 3538)
TEL. (305) 264-8100 FAX. (305) 262-6978
COMP-ANL W15-45SIW

Coastline Outswing French Door/Entry Door IZ4 (9')
MARVIN
PO Box 100, 401 State Ave. N.
Warroad, MN. 56763
Tel. (218) 386-1430 Ext. 2143

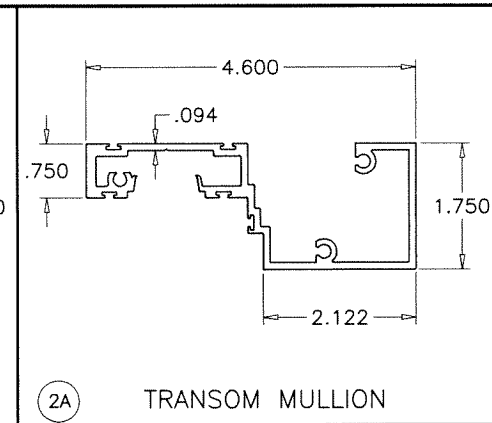
no	date	by	description

date: 07-30-15
scale: 3/8" = 1"
dr. by: TARIQ
chk. by:

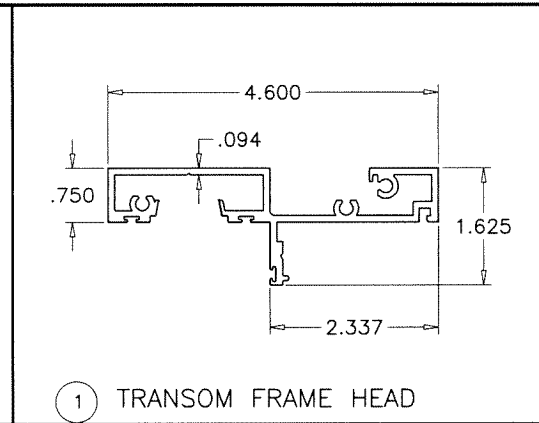
drawing no.
W15-45
sheet 12 of 16



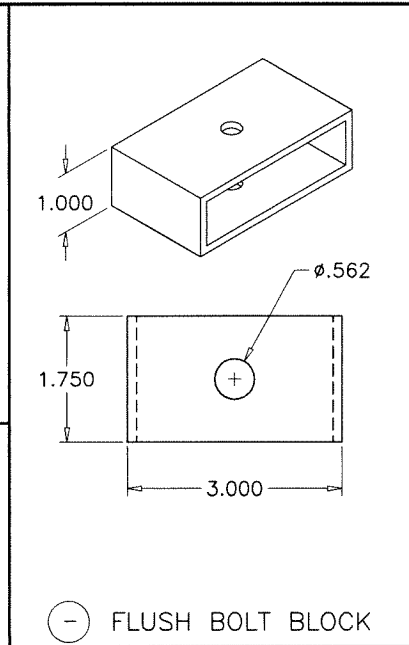
2 DOOR/SIDELITE FRAME HEAD/SILL



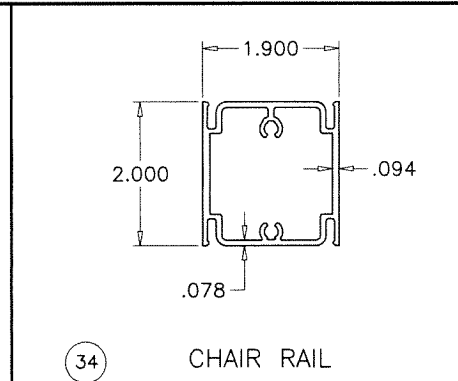
2A TRANSOM MULLION



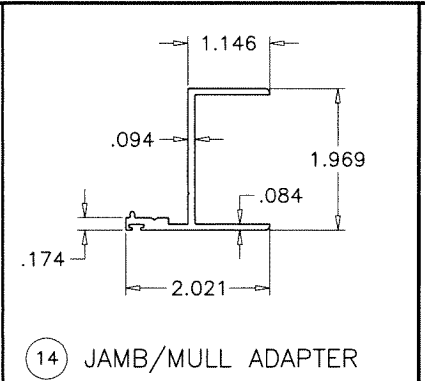
1 TRANSOM FRAME HEAD



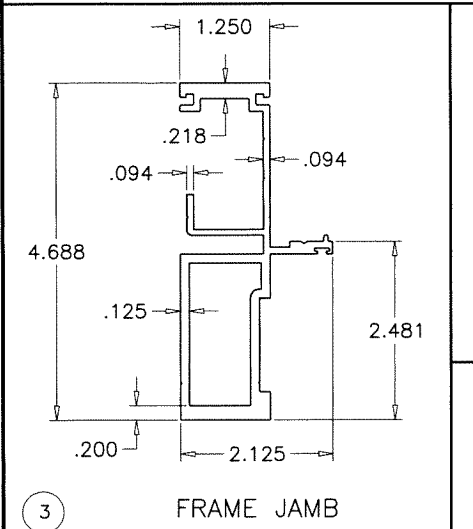
FLUSH BOLT BLOCK



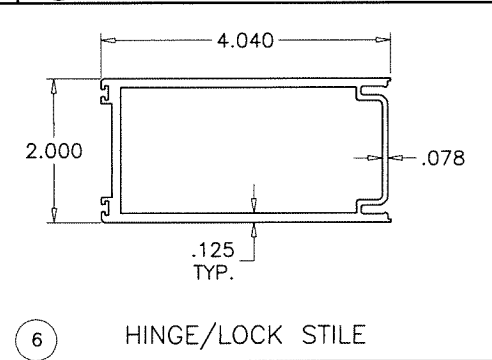
34 CHAIR RAIL



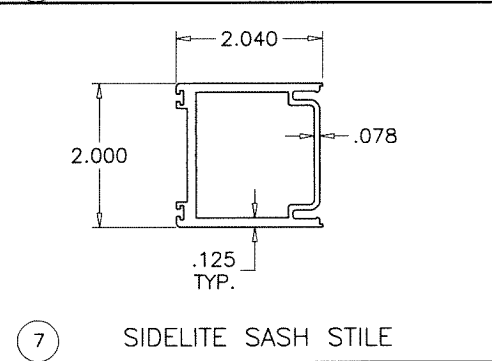
14 JAMB/MULLION ADAPTER



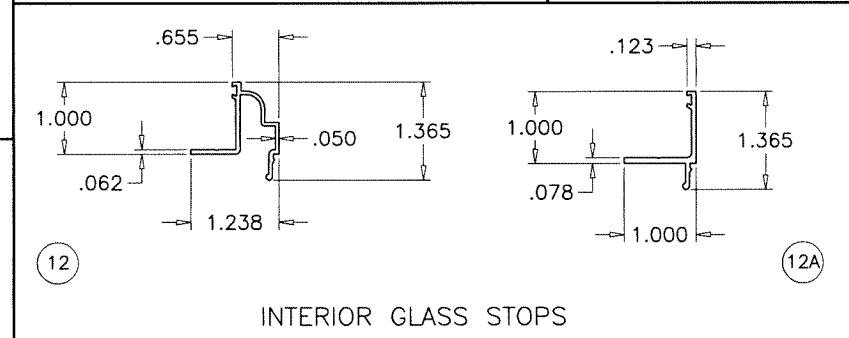
3 FRAME JAMB



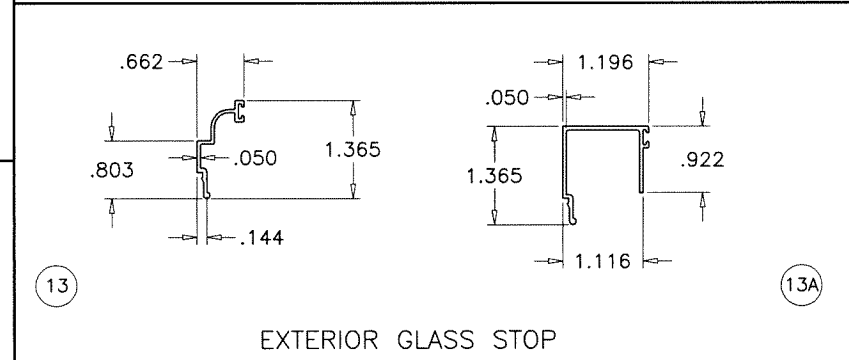
6 HINGE/LOCK STILE



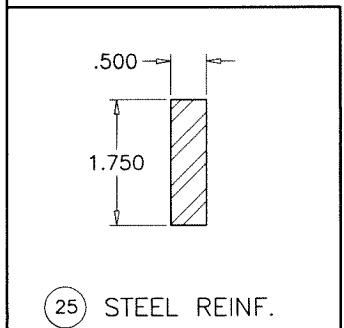
7 SIDELITE SASH STILE



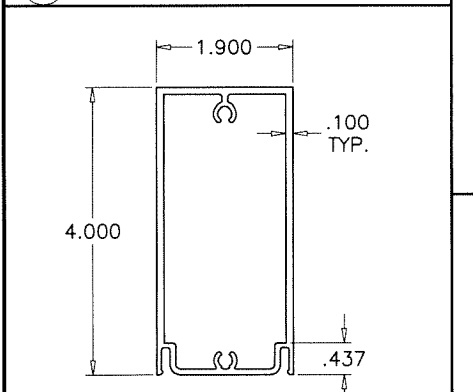
12 INTERIOR GLASS STOPS



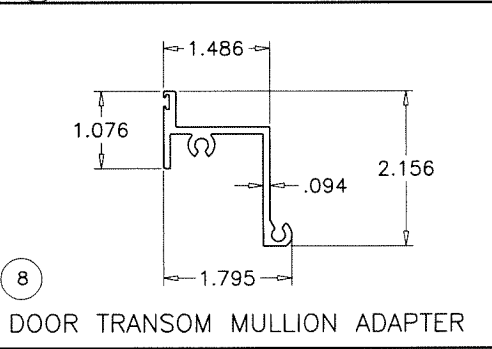
13 EXTERIOR GLASS STOP



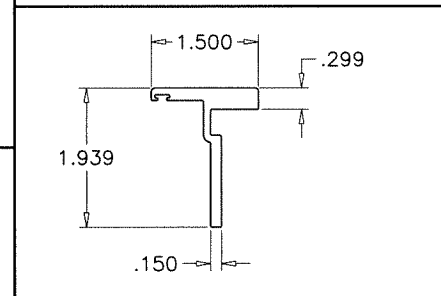
25 STEEL REINF.



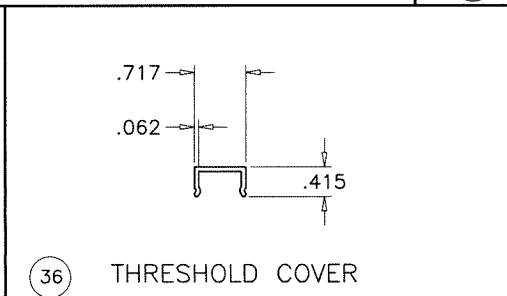
4 TOP/BOTTOM RAIL



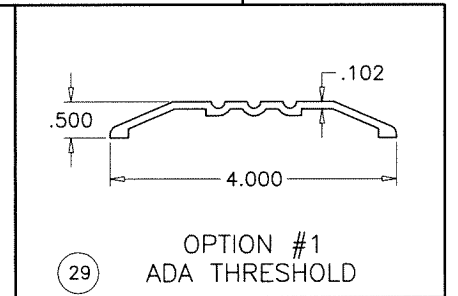
8 DOOR TRANSOM MULLION ADAPTER



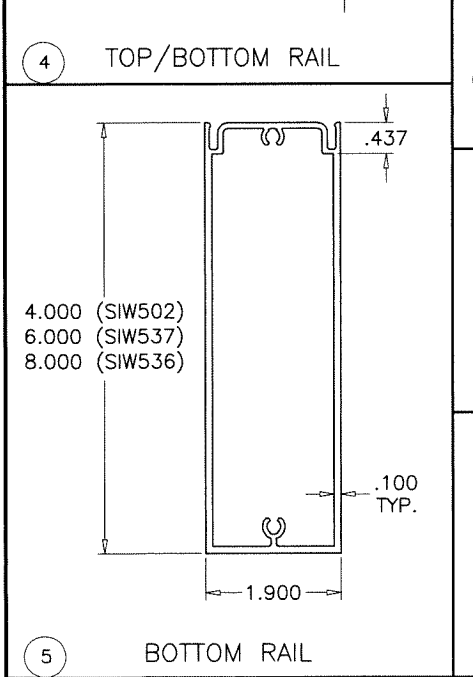
10 DOUBLE DOOR ASTRAGAL



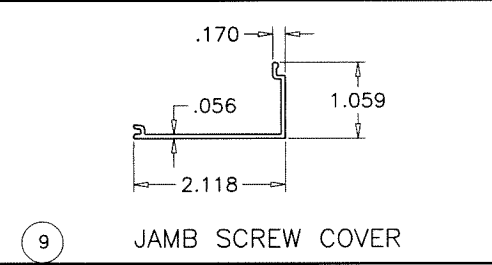
36 THRESHOLD COVER



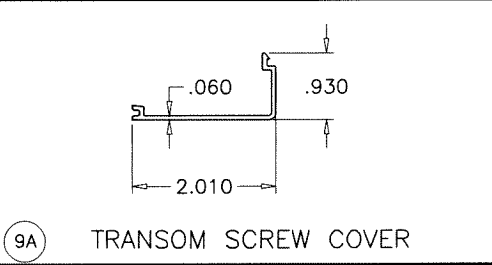
OPTION #1 ADA THRESHOLD



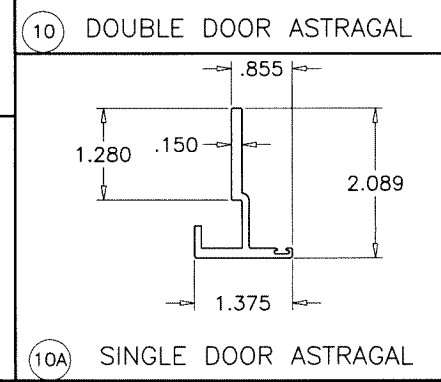
5 BOTTOM RAIL



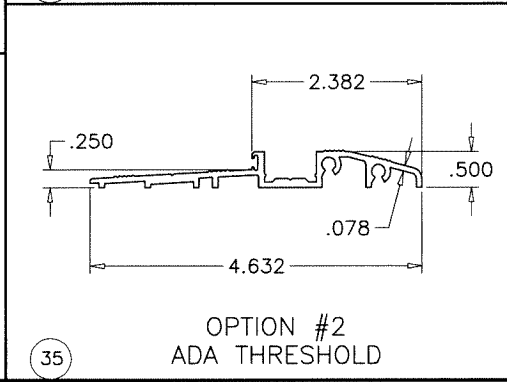
9 JAMB SCREW COVER



9A TRANSOM SCREW COVER



10A SINGLE DOOR ASTRAGAL



OPTION #2 ADA THRESHOLD

Sealed: 7/25/2023
FL #34006



a f c
AL-FAROOQ CORPORATION
ENGINEERS & PRODUCT DEVELOPMENT
9360 SUNSET DRIVE, SUITE 220
MIAMI, FLORIDA 33173
TEL. (305) 264-8100 FAX. (305) 262-6978
COMP-ANL W15-45SIW

Coastline Outswing French Door/Entry Door IZ4 (9')
MARVIN
PO Box 100, 401 State Ave. N.
Warroad, MN. 56763
Tel. (218) 386-1430 Ext. 2143

no	date	by	description

date: 07-30-15
scale: 3/8" = 1"
dr. by: TARIQ
chk. by:

drawing no.
W15-45
sheet 13 of 16

LOCK OPTIONS 1 & 3

STD. 3 POINT LOCK
 MAX. FRAME HEIGHT = 108 IN.
 MAX. LEAF = 36-9/16 IN.
 MAX. DESIGN LOAD = 80 PSF

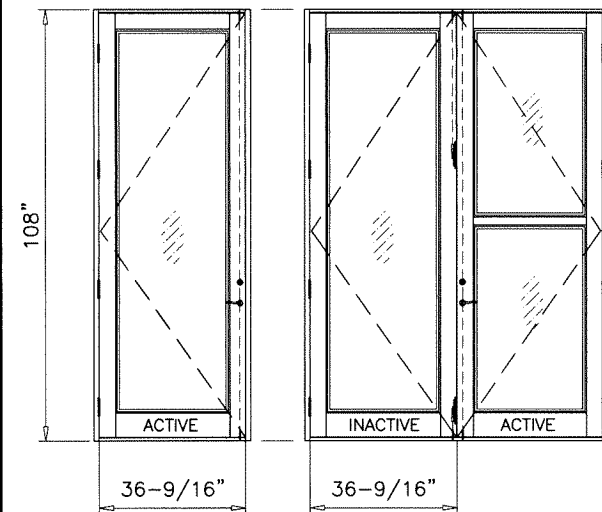
ACTIVE LEAF:

OPTION #1:
 3 POINT LOCK ASSEMBLY (M1805S) BY 'ADAMS RITE' WITH 4015 THROW BOLT AT 35-1/2" FROM BOTTOM FLUSH BOLTS CONNECTED TO LOCK KEY OPERATED ON EXTERIOR AND THUMB TURN ON INTERIOR AND ENGAGING FRAME AT HEAD AND SILL

OPTION #3:
 LOCK ASSEMBLY (W5110-STACT6) BY 'ASHLAND' WITH THROW BOLT AT 35-1/2" FROM BOTTOM FLUSH BOLTS CONNECTED TO LOCK KEY OPERATED ON EXTERIOR AND THUMB TURN ON INTERIOR AND ENGAGING FRAME AT HEAD AND SILL

INACTIVE LEAF

CONCEALED FLUSH BOLTS (FB-1202-914) BY 'SULLIVAN & ASSOC.' MANUALLY OPERATED LEVERS MOUNTED ON INSIDE FACE OF LEAF STILE LOCATED AT 13-1/2" FROM BOTTOM AND 34" FROM TOP



LOCK OPTION #2 NOT USED

LOCK OPTION 4

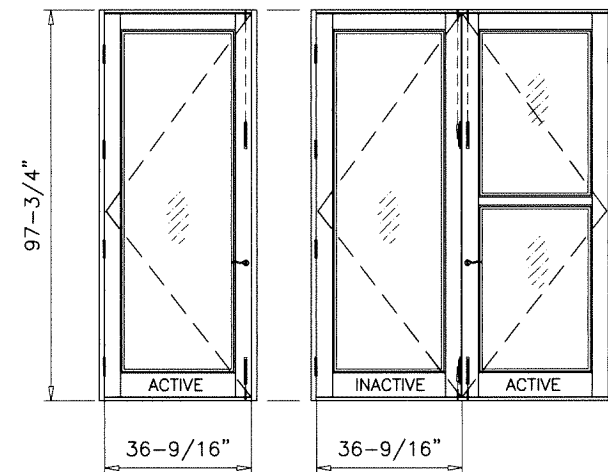
MAX. FRAME HEIGHT = 97-3/4 IN.
 MAX. LEAF = 36-9/16 IN.
 MAX. DESIGN LOAD = 60 PSF

ACTIVE LEAF:

EXPOSED FLUSH BOLTS (FB-1202-914) BY 'SULLIVAN & ASSOC.' MANUALLY OPERATED LEVERS MOUNTED ON FACE OF LEAF STILE LOCATED AT 13-1/2" FROM BOTTOM AND 34" FROM TOP

INACTIVE LEAF

CONCEALED FLUSH BOLTS (FB-1202-914) BY 'SULLIVAN & ASSOC.' MANUALLY OPERATED LEVERS MOUNTED ON INSIDE FACE OF LEAF STILE LOCATED AT 13-1/2" FROM BOTTOM AND 34" FROM TOP

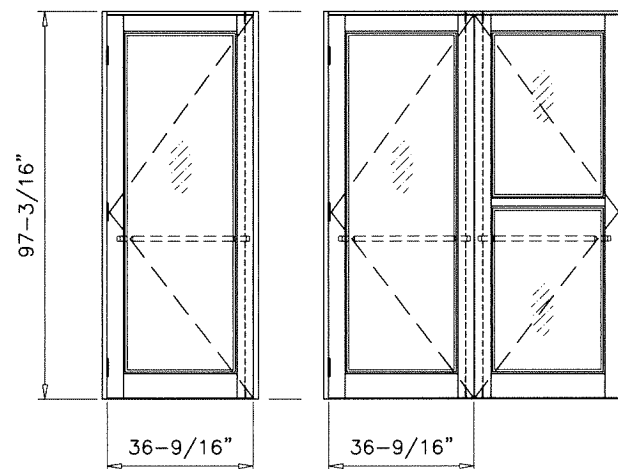


LOCK OPTION 5

PANIC EXIT DEVICE (SVR)
 MAX. FRAME HEIGHT = 97-3/16 IN.
 MAX. LEAF WIDTH = 36-9/16 IN.
 MAX. DESIGN LOAD = 62 PSF

ACTIVE & INACTIVE LEAF:

SURFACE VERTICAL ROD PANIC EXIT DEVICE BY 'JACKSON PANIC SYSTEM' MODEL 1275 LOCATED AT 38" FROM SILL AT EACH LEAF. PANIC BAR FASTENED TO LEAF WITH (1) #8-32 X 1/4" SOCKET HEAD MACHINE SCREW (1) #6 X 3/4" FH TEK SCREW TOP AND BOTTOM LATCH ASSEMBLY BRACKETS FASTENED TO STILE WITH (2) 1/4-20 X 1-1/4" SCREWS.



ITEM #	PART #	REQD.	DESCRIPTION	MATERIAL	MANF./SUPPLIER/REMARKS
1	SIW523	AS REQD.	FRAME TRANSOM HEAD	6063-T6	ALTERNATE TO 2
2	SIW505	1	DOOR/SIDELITE FRAME HEAD/SILL	6063-T6	-
2A	SIW505B	1	TRANSOM MULLION	6063-T6	-
3	SIW506	2/DOOR	FRAME JAMB	6063-T6	-
4	SIW502	1/ LEAF	DOOR TOP/BOTTOM RAIL	6063-T6	-
5	SIW537	1/ LEAF	DOOR BOTTOM RAIL (6")	6063-T6	SEE SHEET 13
5.1	SIW536	1/ LEAF	DOOR BOTTOM RAIL (8")	6063-T6	SEE SHEET 13
6	SIW503	2/ LEAF	HINGE STILE/LOCK STILE	6063-T6	-
7	SIW507	2/ LEAF	SIDELITE SASH STILE	6063-T6	-
8	SIW542	AS REQD.	DOOR TRANSOM MULLION ADAPTER	6063-T6	-
9	SIW511	AS REQD.	SCREW COVER	6063-T6	JAMB & TRANSOM
10	SIW509	AS REQD.	DOUBLE DOOR ASTRAGAL	6063-T6	-
10A	SIW535	AS REQD.	SINGLE DOOR ASTRAGAL	6063-T6	-
11	SIW510	AS REQD.	SCREW COVER	6063-T5	-
12	SIW512	AS REQD.	INTERIOR GLASS STOP	6063-T5	-
12A	DWF-024	AS REQD.	INTERIOR GLASS STOP	6063-T5	-
13	SIW513	AS REQD.	EXTERIOR GLASS STOP	6063-T6	-
13A	SIW533	AS REQD.	EXTERIOR GLASS STOP	6063-T6	-
14	SIW504	AS REQD.	DOOR JAMB/MULL ADAPTER	6063-T6	-
15	9016E	-	BULB W'STRIPPING	VINYL	CENTRAL PLSTICS
16	U4513	-	Q-LON W'STRIPPING	VINYL	SCHLEGEL
17	5530	AS REQD.	INTERIOR GLAZING GASKET (DUROMETER 70±5)	TPE	ULTRAFAB
17A	5531	AS REQD.	EXTERIOR GLAZING GASKET (DUROMETER 70±5)	SANTOPRENE	CENTRAL PLASTICS
18	W23201NW0020	AS RQD.	FINSEAL PILE W'STRIPPING	-	ULTRAFAB
20	#8 X 1/2"	-	ASTRAGAL SCREWS PH SMS	-	AT 4" FROM ENDS & 8" O.C.
21	#8 X 1/2"	AS REQD.	GLASS STOP SCREWS SELF DRILLING	-	AT 8" FROM ENDS & 15" O.C. MAX.
22	#12 X 1-1/4"	-	FIX. PANEL SCREWS PH SMS	-	AT 6" FROM ENDS & 17" O.C. MAX.
24	SD44HD	4/LEAF	BUTT HINGES	ST. STEEL	DELTANA
25	-	AS REQD.	MULLION REINFORCING	STEEL	-
26	#12 X 4"	1/ CORNER	FRAME ASSEMBLY SCREWS	ST. STEEL	PH SMS
27	#12 X 2"	AS REQD.	FRAME AND LEAF ASSEMBLY SCREWS	ST. STEEL	PH SMS
28	#12 X 1/2"	AS REQD.	HINGE ASSEMBLY SCREWS	ST. STEEL	FH MS TYPE F SS
29	20305	AS REQD.	ADA THRESHOLD OPTION #1	6063-T6	-
30	DB019AV36	AS REQD.	DOOR BOTTOM SWEEP	ALUM/VINYL	BY CRL
31	SIW521	-	FLUSH BOLT BLOCK	6063-T6	-
32	#2	-	FLUSH BOLTS	-	SULLIVAN & ASSOC.
34	SIW539	-	2" CHAIR RAIL	6063-T6	-
35	SIW546	1	ADA THRESHOLD OPTION #2	6063-T6	-
36	SIW547	1	THRESHOLD COVER	6063-T6	-

SEALANTS:

ALL JOINTS AND FRAME CONNECTIONS SEALED WITH SMALL JOINT SEALER.

HINGES:

4" X 4" ST. STEEL BUTT HINGES DELTANA (DSB4NB OR SD44HD) AT 13" FROM TOP AND BOTTOM ENDS AND 26-5/8" O.C. MAX. HINGE ATTACHED TO DOOR FRAME AND DOOR STILE USING (4) #12 X 1" FH MS
 3 HINGES PER LEAF UPTO 6/8 HIGH DOORS
 4 HINGES PER LEAF DOORS HIGHER THAN 6/8

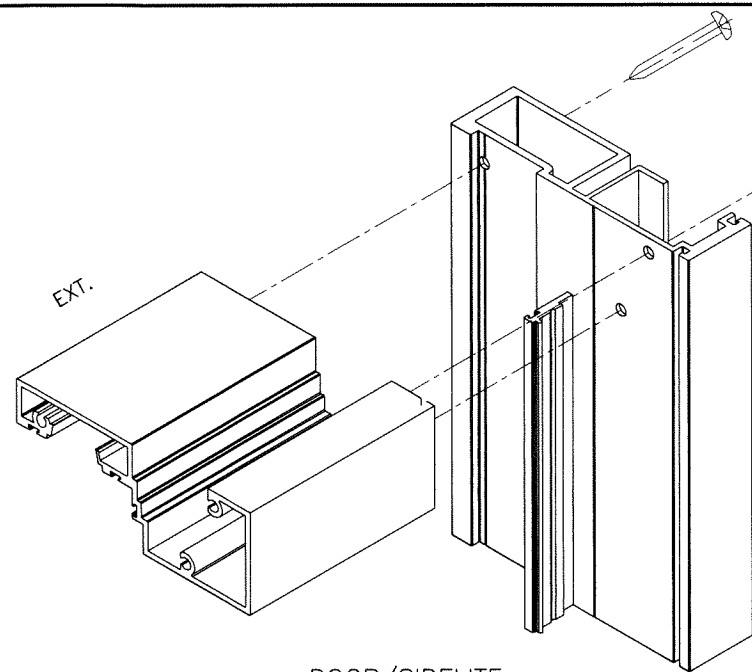
Sealed: 7/25/2023
 FL #34006



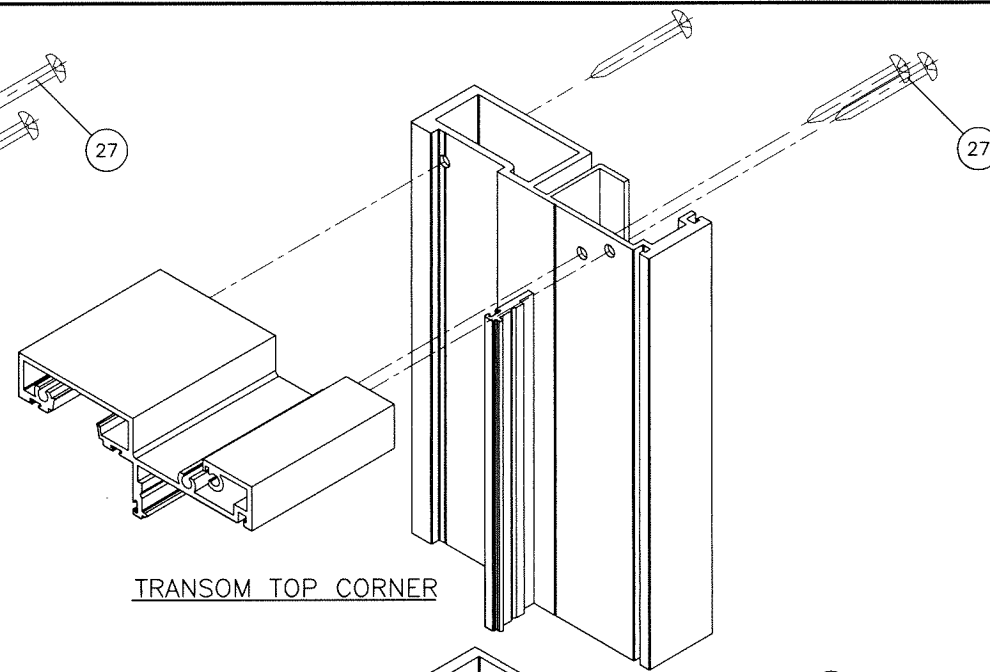
a f c
AL-FAROOQ CORPORATION
 ENGINEERS & PRODUCT DEVELOPMENT
 9360 SUNSET DRIVE, SUITE 220
 MIAMI, FLORIDA 33173 (C.A.N. 3538)
 TEL. (305) 262-6978 FAX. (305) 262-6978
 COMP-ANL W15-45SIW

Coastline Outswing French Door/Entry Door IZ4 (9')
MARVIN
 PO Box 100, 401 State Ave. N.
 Warroad, MN. 56763
 Tel. (218) 386-1430 Ext. 2143

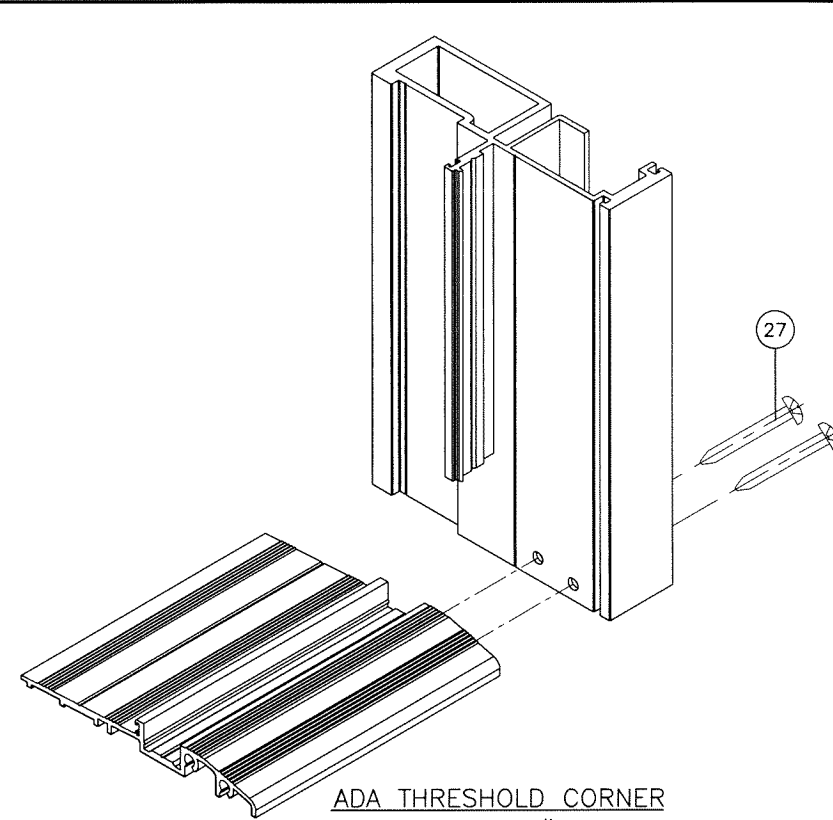
revisions:
 no. date by description
 date: 07-30-15
 scale: 3/8" = 1"
 dr. by: TARIO
 chk. by:
 drawing no.
W15-45
 sheet 14 of 16



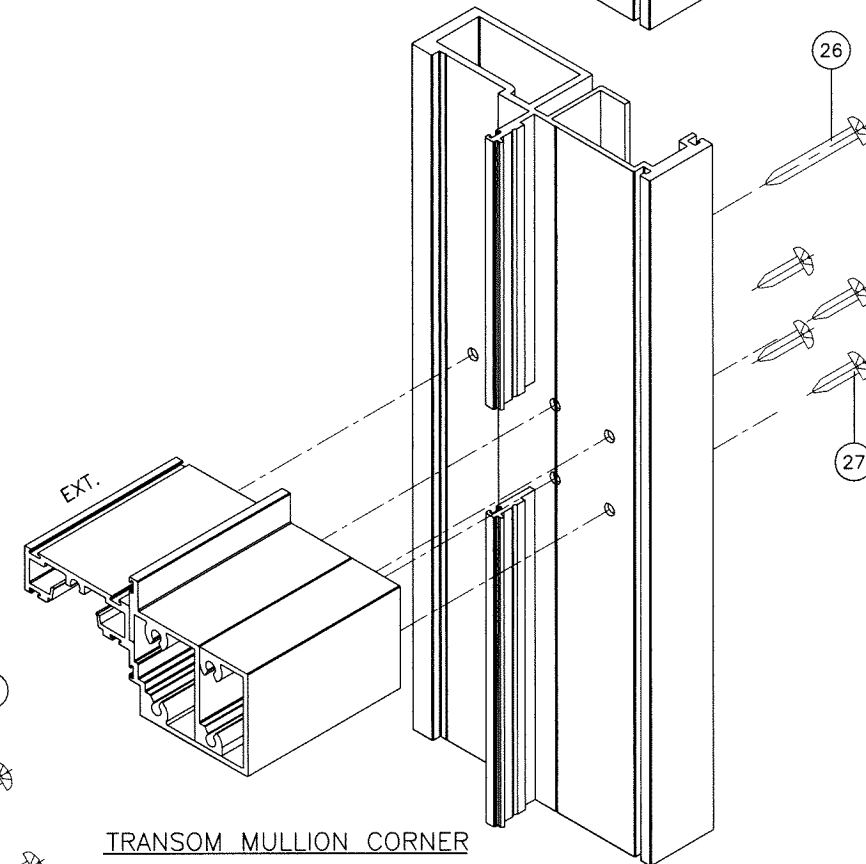
DOOR/SIDELITE
FRAME TOP CORNER



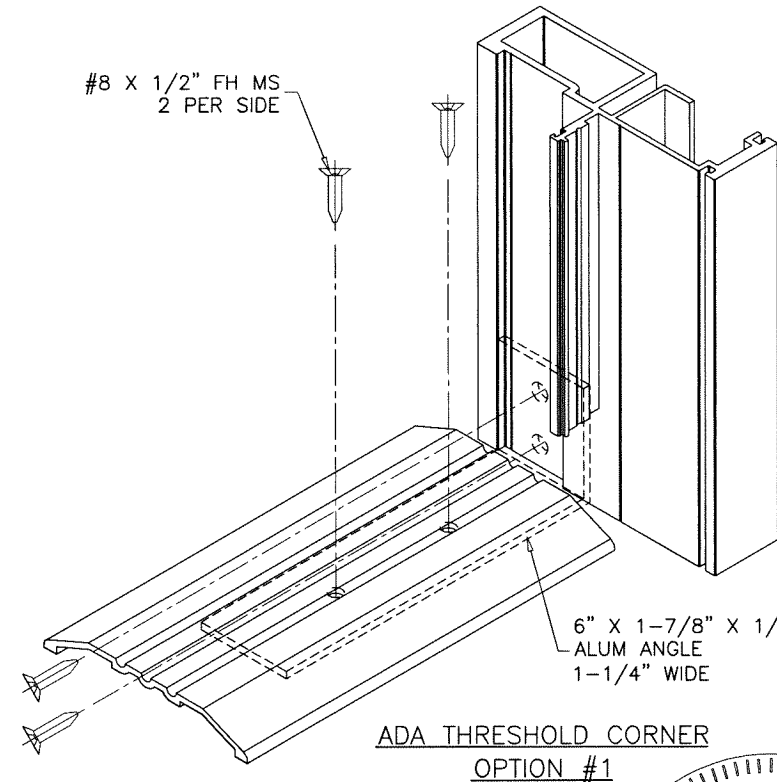
TRANSOM TOP CORNER



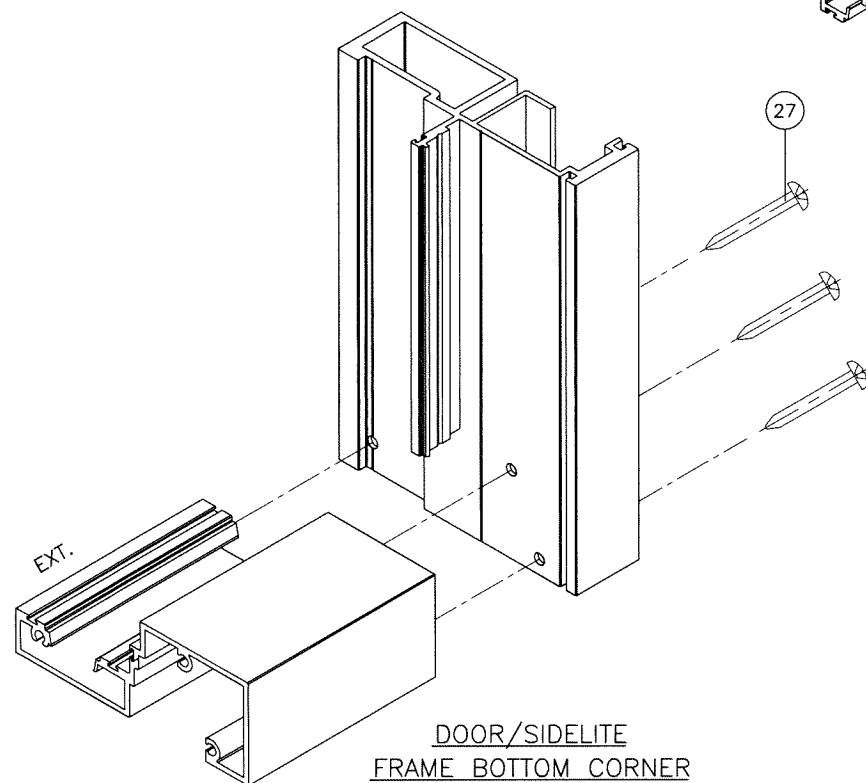
ADA THRESHOLD CORNER
OPTION #2



TRANSOM MULLION CORNER

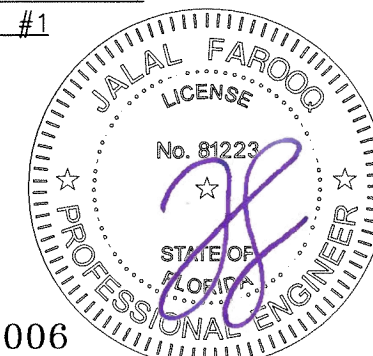


ADA THRESHOLD CORNER
OPTION #1



DOOR/SIDELITE
FRAME BOTTOM CORNER

Sealed: 7/25/2023
FL #34006



afc

AL-FAROOQ CORPORATION
ENGINEERS & PRODUCT DEVELOPMENT
9360 SUNSET DRIVE, SUITE 220 (C.A.N. 3538)
MIAMI, FLORIDA 33173 TEL. (305) 264-8100 FAX. (305) 262-6978

COMP-ANL W15-45SIW

Coastline Outswing French Door/Entry Door IZ4 (9')

MARVIN

PO Box 100, 401 State Ave. N.
Warroad, MN. 56763
Tel. (218) 386-1430 Ext. 2143

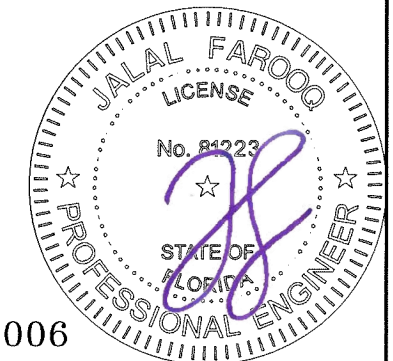
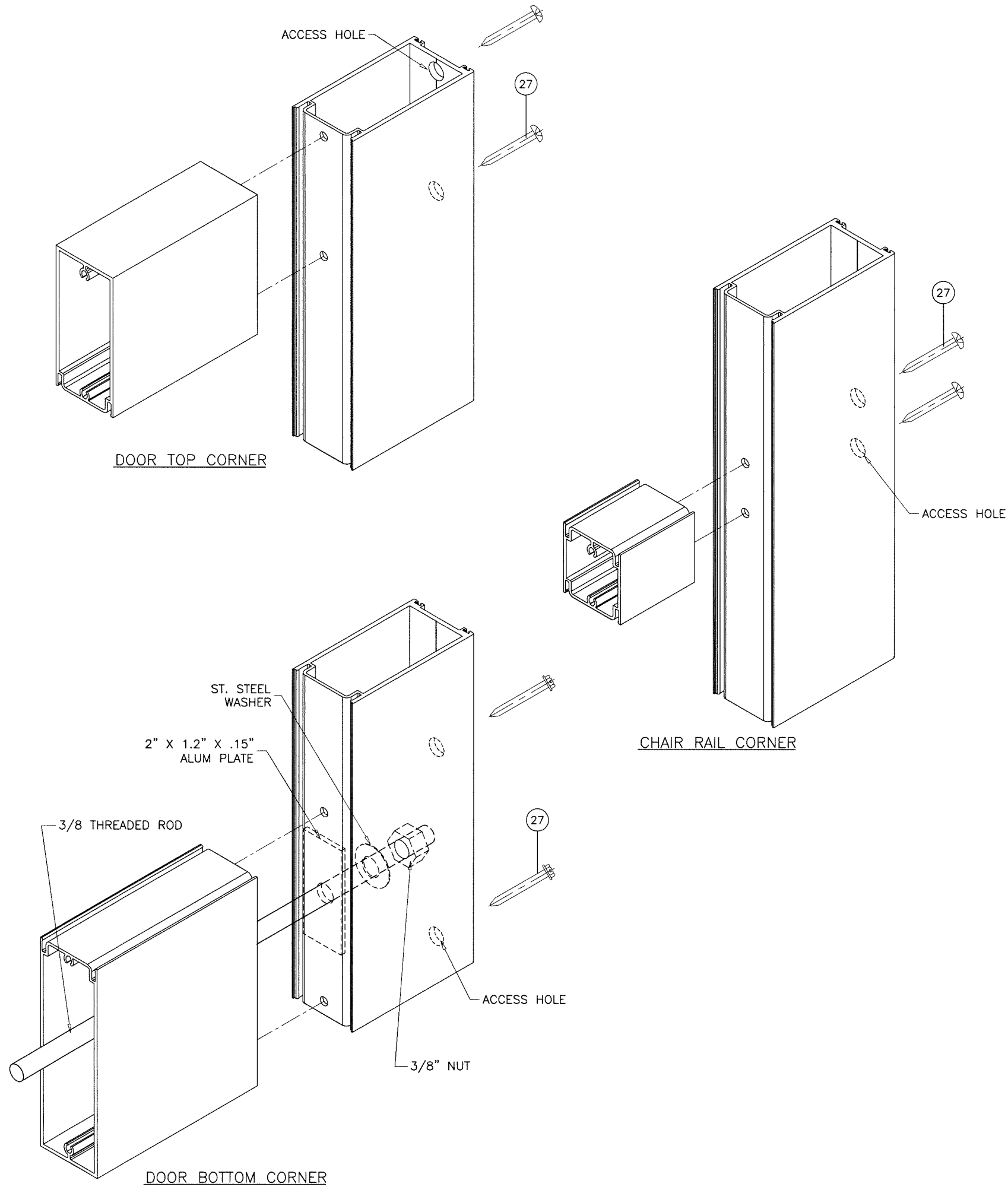
revisions:
no date by description

date: 07-30-15
scale: 3/8" = 1"
dr. by: TARIQ
chk. by:

drawing no.

W15-45

sheet 15 of 16



Sealed: 7/25/2023
FL #34006

afc
AL-FAROOQ CORPORATION
 ENGINEERS & PRODUCT DEVELOPMENT
 9360 SUNSET DRIVE, SUITE 220 (C.A.N. 3538)
 MIAMI, FLORIDA 33173
 TEL. (305) 264-8100 FAX. (305) 262-6978
 COMP-ANL W15-45SIW

Coastline Outswing French Door/Entry Door 174 (9')
MARVIN
 PO Box 100, 401 State Ave. N.
 Warroad, MN. 56763
 Tel. (218) 386-1430 Ext. 2143

no	date	by	description

date: 07-30-15
 scale: 3/8" = 1"
 dr. by: TARIQ
 chk. by:

drawing no.
W15-45
 sheet 16 of 16