

Ultimate Wood Swinging French Doors

| | |
|---|----|
| Standard Unit Measurements..... | 1 |
| Standard Unit Measurements: In-Sash Transoms | 2 |
| Standard Unit Measurements: Direct Glaze Rectangle / Transom | 3 |
| Standard Door Round Top Rough Opening and Field Mulling Guide | 4 |
| Inswing and Outswing Certified Sizes and Ratings..... | 5 |
| Minimum and Maximum Guidelines: Door and In-Sash Transoms..... | 6 |
| Minimum and Maximum Guidelines: Direct Glaze Rectangle / Transom | 7 |
| Measurement Conversions | 8 |
| Net Clear Openings: Inswing..... | 9 |
| Net Clear Opening: Outswing..... | 10 |
| Inswing Section Details: Operating | 11 |
| Inswing Section Details: Stationary and Sidelite | 12 |
| Inswing Section Details: In-Sash Transom..... | 13 |
| Inswing Section Details: Standard Sliding and Standard Swinging Screens | 14 |
| Inswing Section Details: Ultimate Sliding Screen..... | 15 |
| Inswing Section Details: Ultimate Swinging Screen | 16 |
| Inswing Section Details: In-Sash Transom Configurations | 17 |
| Inswing Section Details: Short Bottom Rail | 18 |
| Inswing Section Details: Flat Panel Placement..... | 19 |
| Inswing Section Details: Raised Panel Placement..... | 20 |
| Outswing Section Details: Operating..... | 21 |
| Outswing Section Details: Stationary and Sidelite | 22 |
| Outswing Section Details: In-Sash Transom..... | 23 |
| Outswing Section Details: Operating Panel Configurations | 24 |
| Outswing Section Details: In-Sash Transom Configurations..... | 25 |
| Outswing Section Details: Short Bottom Rail | 26 |
| Outswing Section Details: Flat Panel Placement..... | 27 |
| Outswing Section Details: Raised Panel Placement..... | 28 |
| Inswing/Outswing Section Details: Direct Glaze Transom | 29 |
| Inswing/Outswing Section Details: Round Top Direct Glaze..... | 30 |

Standard Unit Measurements

| Standard Inswing and Outswing Unit Measurements | | | | | | | | | | | | | |
|---|-------------|-----------------|--------|---------------|--------|------------|--------|-----------|--------|------------------|--------|------------|--------|
| Width | | | | | | | | | | | | | |
| Unit Type | Call Number | Masonry Opening | | Rough Opening | | Frame Size | | Panel OM | | Daylight Opening | | Glass Size | |
| | | ft - in | mm | ft - in | mm | ft - in | mm | ft-in | mm | ft - in | mm | in | mm |
| Sidelite | 1-6 | 1-10 31/32 | (583) | 1-8 27/32 | (529) | 1-7 27/32 | (504) | 1-5 15/32 | (444) | 0-11 1/2 | (292) | 12 13/16 | (325) |
| 1 Panel | 2-6R | 2-9 3/4 | (857) | 2-7 5/8 | (803) | 2-6 5/8 | (778) | 2-4 1/4 | (718) | 1-6 25/32 | (477) | 20 3/32 | (510) |
| | 3-0R | 3-3 3/4 | (1010) | 3-1 5/8 | (956) | 3-0 5/8 | (930) | 2-10 1/4 | (870) | 2-0 25/32 | (629) | 26 3/32 | (663) |
| | 2-0 | 2-4 9/16 | (726) | 2-2 7/16 | (672) | 2-1 7/16 | (646) | 1-11 1/16 | (586) | 1-1 19/32 | (345) | 14 29/32 | (379) |
| | 2-6 | 2-10 9/16 | (878) | 2-8 7/16 | (824) | 2-7 7/16 | (799) | 2-5 1/16 | (738) | 1-7 19/32 | (498) | 20 29/32 | (531) |
| | 2-8 | 3-0 9/16 | (929) | 2-10 7/16 | (875) | 2-9 7/16 | (849) | 2-7 1/16 | (789) | 1-9 19/32 | (548) | 22 29/32 | (582) |
| | 3-0 | 3-4 9/16 | (1030) | 3-2 7/16 | (976) | 3-1 7/16 | (951) | 2-11 1/16 | (891) | 2-1 19/32 | (650) | 26 29/32 | (683) |
| | 3-6 | 3-10 9/16 | (1183) | 3-8 7/16 | (1129) | 3-7 7/16 | (1103) | 3-5 1/16 | (1043) | 2-7 19/32 | (802) | 32 29/32 | (836) |
| 2 Panel | 5-0R* | 5-2 1/8 | (1578) | 5-0 | (1524) | 4-11 | (1499) | 2-4 1/4 | (718) | 1-6 25/32 | (477) | 20 3/32 | (510) |
| | 6-0R* | 6-2 1/8 | (1883) | 6-0 | (1829) | 5-11 | (1803) | 2-10 1/4 | (870) | 2-0 25/32 | (629) | 26 3/32 | (663) |
| | 4-0 | 4-3 3/4 | (1314) | 4-1 5/8 | (1260) | 4-0 5/8 | (1235) | 1-11 1/16 | (586) | 1-1 19/32 | (345) | 14 29/32 | (379) |
| | 5-0 | 5-3 3/4 | (1619) | 5-1 5/8 | (1565) | 5-0 5/8 | (1540) | 2-5 1/16 | (738) | 1-7 19/32 | (498) | 20 29/32 | (531) |
| | 5-4 | 5-7 3/4 | (1721) | 5-5 5/8 | (1667) | 5-4 5/8 | (1641) | 2-7 1/16 | (789) | 1-9 19/32 | (548) | 22 29/32 | (582) |
| | 6-0 | 6-3 3/4 | (1924) | 6-1 5/8 | (1870) | 6-0 5/8 | (1845) | 2-11 1/16 | (891) | 2-1 19/32 | (650) | 26 29/32 | (683) |
| | 7-0 | 7-3 3/4 | (2229) | 7-1 5/8 | (2175) | 7-0 5/8 | (2149) | 3-5 1/16 | (1043) | 2-7 19/32 | (802) | 32 29/32 | (836) |
| 3 Panel | 9-0R | 9-0 1/2 | (2756) | 8-10 3/8 | (2702) | 8-9 3/8 | (2677) | 2-10 1/4 | (870) | 2-0 25/32 | (629) | 26 3/32 | (663) |
| | 6-0 | 6-2 15/16 | (1903) | 6-0 13/16 | (1849) | 5-11 13/16 | (1824) | 1-11 1/16 | (586) | 1-1 19/32 | (345) | 14 29/32 | (379) |
| | 7-6 | 7-8 15/16 | (2361) | 7-6 13/16 | (2307) | 7-5 13/16 | (2281) | 2-5 1/16 | (738) | 1-7 19/32 | (498) | 20 29/32 | (531) |
| | 8-0 | 8-2 15/16 | (2513) | 8-0 13/16 | (2459) | 7-11 13/16 | (2434) | 2-7 1/16 | (789) | 1-9 19/32 | (548) | 22 29/32 | (582) |
| | 9-0 | 9-2 15/16 | (2818) | 9-0 13/16 | (2764) | 8-11 13/16 | (2738) | 2-11 1/16 | (891) | 2-1 19/32 | (650) | 26 29/32 | (683) |
| | 10-6 | 10-8 15/16 | (3275) | 10-6 13/16 | (3221) | 10-5 13/16 | (3196) | 3-5 1/16 | (1043) | 2-7 19/32 | (802) | 32 29/32 | (836) |
| 4 Panel | 8-0 | 8-2 1/8 | (2492) | 8-0 | (2438) | 7-11 | (2413) | 1-11 1/16 | (586) | 1-1 19/32 | (345) | 14 29/32 | (379) |
| | 10-0 | 10-2 1/8 | (3102) | 10-0 | (3048) | 9-11 | (3023) | 2-5 1/16 | (738) | 1-7 19/32 | (498) | 20 29/32 | (531) |
| | 10-8 | 10-10 1/8 | (3305) | 10-8 | (3251) | 10-7 | (3226) | 2-7 1/16 | (789) | 1-9 19/32 | (548) | 22 29/32 | (582) |
| | 12-0 | 12-2 1/8 | (3712) | 12-0 | (3658) | 11-11 | (3632) | 2-11 1/16 | (891) | 2-1 19/32 | (650) | 26 29/32 | (683) |
| | 14-0 | 14-2 1/8 | (4321) | 14-0 | (4267) | 13-11 | (4242) | 3-5 1/16 | (1043) | 2-7 19/32 | (802) | 32 29/32 | (836) |
| 1 Panel with 1 Sidelite | 4-6 | 4-10 3/16 | (1478) | 4-8 1/16 | (1424) | 4-7 1/16 | (1399) | 2-11 1/16 | (891) | 2-1 19/32 | (650) | 26 29/32 | (683) |
| | | | | | | | | 1-5 15/32 | (444) | 0-11 1/2 | (292) | 12 13/16 | (325) |
| 1 Panel with 2 Sidelite | 6-2 | 6-3 3/4 | (1924) | 6-1 5/8 | (1870) | 6-0 5/8 | (1845) | 2-11 1/16 | (891) | 2-1 19/32 | (650) | 26 29/32 | (683) |
| | | | | | | | | 1-5 15/32 | (444) | 0-11 1/2 | (292) | 12 13/16 | (325) |
| 2 Panel with 2 Sidelite | 8-0R | 8-1 5/16 | (2472) | 7-11 3/16 | (2418) | 7-10 3/16 | (2392) | 2-4 1/4 | (718) | 1-6 25/32 | (477) | 20 3/32 | (510) |
| | | | | | | | | 1-5 15/32 | (444) | 0-11 1/2 | (292) | 12 13/16 | (325) |
| | 9-2 | 9-2 15/16 | (2818) | 9-0 13/16 | (2764) | 8-11 13/16 | (2738) | 2-11 1/16 | (891) | 2-1 19/32 | (650) | 26 29/32 | (683) |
| | | | | | | | | 1-5 15/32 | (444) | 0-11 1/2 | (292) | 12 13/16 | (325) |
| Height | | | | | | | | | | | | | |
| Unit Type | Call Number | Masonry Opening | | Rough Opening | | Frame Size | | Panel OM | | Daylight Opening | | Glass Size | |
| | | ft - in | mm | ft - in | mm | ft - in | mm | ft-in | mm | ft - in | mm | in | mm |
| All Configurations | 6-6R | 6-9 1/16 | (2059) | 6-8 | (2032) | 6-7 1/2 | (2019) | 6-4 1/2 | (1943) | 5-3 5/8 | (1616) | 64 15/16 | (1649) |
| | 6-8 | 6-11 9/16 | (2122) | 6-10 1/2 | (2096) | 6-10 | (2083) | 6-7 | (2007) | 5-6 1/8 | (1680) | 67 7/16 | (1713) |
| | 7-0 | 7-3 9/16 | (2224) | 7-2 1/2 | (2197) | 7-2 | (2184) | 6-11 | (2108) | 5-10 1/8 | (1781) | 71 7/16 | (1815) |
| | 8-0 | 8-1 1/16 | (2465) | 8-0 | (2438) | 7-11 1/2 | (2426) | 7-8 1/2 | (2350) | 6-7 5/8 | (2022) | 80 15/16 | (2056) |

NOTE: All retro widths are available with 6-6R heights. The retro units with an asterisk are also available in standard heights.

Standard Unit Measurements: In-Sash Transoms

| Standard In-Sash Transom Unit Measurements | | | | | | | | | | | | | |
|--|-------------|-----------------|--------|---------------|--------|------------|--------|-----------|--------|------------------|--------|------------|--------|
| Width | | | | | | | | | | | | | |
| Unit Type | Call Number | Masonry Opening | | Rough Opening | | Frame Size | | Sash OM | | Daylight Opening | | Glass Size | |
| | | ft - in | mm | ft - in | mm | ft - in | mm | ft-in | mm | ft - in | mm | in | mm |
| 1 Sash 1 Frame | 1-6 | 1-10 31/32 | (583) | 1-8 27/32 | (529) | 1-7 27/32 | (504) | 1-5 15/32 | (444) | 0-11 1/2 | (292) | 12 13/16 | (325) |
| | 2-0 | 2-4 9/16 | (726) | 2-2 7/16 | (672) | 2-1 7/16 | (646) | 1-11 1/16 | (586) | 1-1 19/32 | (345) | 14 29/32 | (379) |
| | 2-6 | 2-10 9/16 | (878) | 2-8 7/16 | (824) | 2-7 7/16 | (799) | 2-5 1/16 | (738) | 1-7 19/32 | (498) | 20 29/32 | (531) |
| | 2-8 | 3-0 9/16 | (929) | 2-10 7/16 | (875) | 2-9 7/16 | (849) | 2-7 1/16 | (789) | 1-9 19/32 | (548) | 22 29/32 | (582) |
| | 3-0 | 3-4 9/16 | (1030) | 3-2 7/16 | (976) | 3-1 7/16 | (951) | 2-11 1/16 | (891) | 2-1 19/32 | (650) | 26 29/32 | (683) |
| | 3-6 | 3-10 9/16 | (1183) | 3-8 7/16 | (1129) | 3-7 7/16 | (1103) | 3-5 1/16 | (1043) | 2-7 19/32 | (802) | 32 29/32 | (836) |
| | 4-0 | 4-3 3/4 | (1314) | 4-1 5/8 | (1260) | 4-0 5/8 | (1235) | 3-10 1/4 | (1175) | 3-0 25/32 | (934) | 38 3/32 | (968) |
| | 5-0 | 5-3 3/4 | (1619) | 5-1 5/8 | (1565) | 5-0 5/8 | (1540) | 4-10 1/4 | (1480) | 4-0 25/32 | (1239) | 50 3/32 | (1272) |
| | 5-4 | 5-7 3/4 | (1721) | 5-5 5/8 | (1667) | 5-4 5/8 | (1641) | 5-2 1/4 | (1581) | 4-4 25/32 | (1341) | 54 3/32 | (1374) |
| | 6-0 | 6-3 3/4 | (1924) | 6-1 5/8 | (1870) | 6-0 5/8 | (1845) | 5-10 1/4 | (1784) | 5-0 25/32 | (1544) | 62 3/32 | (1577) |
| | 7-0 | 7-3 3/4 | (2229) | 7-1 5/8 | (2175) | 7-0 5/8 | (2149) | 6-10 1/4 | (2089) | 6-0 25/32 | (1849) | 74 3/32 | (1882) |
| 2 Sash 1 Frame | 4-0 | 4-3 3/4 | (1314) | 4-1 5/8 | (1260) | 4-0 5/8 | (1235) | 1-11 1/16 | (586) | 1-1 19/32 | (345) | 14 29/32 | (379) |
| | 5-0 | 5-3 3/4 | (1619) | 5-1 5/8 | (1565) | 5-0 5/8 | (1540) | 2-5 1/16 | (738) | 1-7 19/32 | (498) | 20 29/32 | (531) |
| | 5-4 | 5-7 3/4 | (1721) | 5-5 5/8 | (1667) | 5-4 5/8 | (1641) | 2-7 1/16 | (789) | 1-9 19/32 | (548) | 22 29/32 | (582) |
| | 6-0 | 6-3 3/4 | (1924) | 6-1 5/8 | (1870) | 6-0 5/8 | (1845) | 2-11 1/16 | (891) | 2-1 19/32 | (650) | 26 29/32 | (683) |
| | 7-0 | 7-3 3/4 | (2229) | 7-1 5/8 | (2175) | 7-0 5/8 | (2149) | 3-5 1/16 | (1043) | 2-7 19/32 | (802) | 32 29/32 | (836) |
| 3 Sash 1 Frame | 6-0 | 6-2 15/16 | (1903) | 6-0 13/16 | (1849) | 5-11 13/16 | (1824) | 1-11 1/16 | (586) | 1-1 19/32 | (345) | 14 29/32 | (379) |
| | 7-6 | 7-8 15/16 | (2361) | 7-6 13/16 | (2307) | 7-5 13/16 | (2281) | 2-5 1/16 | (738) | 1-7 19/32 | (498) | 20 29/32 | (531) |
| | 8-0 | 8-2 15/16 | (2513) | 8-0 13/16 | (2459) | 7-11 13/16 | (2434) | 2-7 1/16 | (789) | 1-9 19/32 | (548) | 22 29/32 | (582) |
| | 9-0 | 9-2 15/16 | (2818) | 9-0 13/16 | (2764) | 8-11 13/16 | (2738) | 2-11 1/16 | (891) | 2-1 19/32 | (650) | 26 29/32 | (683) |
| | 10-6 | 10-8 15/16 | (3275) | 10-6 13/16 | (3221) | 10-5 13/16 | (3196) | 3-5 1/16 | (1043) | 2-7 19/32 | (802) | 32 29/32 | (836) |
| 4 Sash 1 Frame | 8-0 | 8-2 1/8 | (2492) | 8-0 | (2438) | 7-11 | (2413) | 1-11 1/16 | (586) | 1-1 19/32 | (345) | 14 29/32 | (379) |
| | 10-0 | 10-2 1/8 | (3102) | 10-0 | (3048) | 9-11 | (3023) | 2-5 1/16 | (738) | 1-7 19/32 | (498) | 20 29/32 | (531) |
| | 10-8 | 10-10 1/8 | (3305) | 10-8 | (3251) | 10-7 | (3226) | 2-7 1/16 | (789) | 1-9 19/32 | (548) | 22 29/32 | (582) |
| | 12-0 | 12-2 1/8 | (3712) | 12-0 | (3658) | 11-11 | (3632) | 2-11 1/16 | (891) | 2-1 19/32 | (650) | 26 29/32 | (683) |
| | 14-0 | 14-2 1/8 | (4321) | 14-0 | (4267) | 13-11 | (4242) | 3-5 1/16 | (1043) | 2-7 19/32 | (802) | 32 29/32 | (836) |
| Height | | | | | | | | | | | | | |
| Unit Type | Call Number | Masonry Opening | | Rough Opening | | Frame Size | | Sash OM | | Daylight Opening | | Glass Size | |
| | | ft - in | mm | ft - in | mm | ft - in | mm | ft-in | mm | ft - in | mm | in | mm |
| All Configurations | 1-6 | 1-8 1/4 | (514) | 1-6 1/2 | (470) | 1-6 | (457) | 1-3 5/16 | (389) | 0-9 5/16 | (237) | 10 5/8 | (270) |
| | 2-0 | 2-2 1/4 | (667) | 2-0 1/2 | (622) | 2-0 | (610) | 1-9 5/16 | (541) | 1-3 5/16 | (389) | 16 5/8 | (422) |
| | 2-6 | 2-8 1/4 | (819) | 2-6 1/2 | (775) | 2-6 | (762) | 2-3 5/16 | (694) | 1-9 5/16 | (541) | 22 5/8 | (575) |

NOTE:

- Ultimate Swinging French Door Elevations can be found on Marvin.com under TOOLS AND DOCUMENTS.

Standard Unit Measurements: Direct Glaze Rectangle / Transom

| Ultimate Wood Swinging French Direct Glaze Transom | | | | | | | | | | | |
|--|-------------|-----------------|--------|---------------|--------|------------|--------|------------------|--------|------------|--------|
| Width | | | | | | | | | | | |
| Unit Type | Call Number | Masonry Opening | | Rough Opening | | Frame Size | | Daylight Opening | | Glass Size | |
| | | ft-in | mm | ft-in | mm | ft-in | mm | ft-in | mm | in | mm |
| 1 Lite Direct Glaze Transom Swinging French Door | 2-0 | 2-4 9/16 | (726) | 2-2 7/16 | (672) | 2-1 7/16 | (646) | 1-9 1/2 | (546) | 22 7/8 | (581) |
| | 2-6 | 2-10 9/16 | (878) | 2-8 7/16 | (824) | 2-7 7/16 | (799) | 2-3 1/2 | (699) | 28 7/8 | (733) |
| | 2-8 | 3-0 9/16 | (929) | 2-10 7/16 | (875) | 2-9 7/16 | (849) | 2-5 1/2 | (749) | 30 7/8 | (784) |
| | 3-0 | 3-4 9/16 | (1030) | 3-2 7/16 | (976) | 3-1 7/16 | (951) | 2-9 1/2 | (851) | 34 7/8 | (886) |
| | 3-6 | 3-10 9/16 | (1183) | 3-8 7/16 | (1129) | 3-7 7/16 | (1103) | 3-3 1/2 | (1003) | 40 7/8 | (1038) |
| | 5-0 | 5-3 3/4 | (1619) | 5-1 5/8 | (1565) | 5-0 5/8 | (1540) | 4-8 11/16 | (1440) | 58 1/16 | (1475) |
| | 5-4 | 5-7 3/4 | (1721) | 5-5 5/8 | (1667) | 5-4 5/8 | (1641) | 5-0 11/16 | (1541) | 62 1/16 | (1576) |
| | 6-0 | 6-3 3/4 | (1924) | 6-1 5/8 | (1870) | 6-0 5/8 | (1845) | 5-8 11/16 | (1745) | 70 1/16 | (1780) |
| | 7-0 | 7-3 3/4 | (2229) | 7-1 5/8 | (2175) | 7-0 5/8 | (2149) | 6-8 11/16 | (2049) | 82 1/16 | (2084) |
| Height | | | | | | | | | | | |
| Unit Type | Call Number | Masonry Opening | | Rough Opening | | Frame Size | | Daylight Opening | | Glass Size | |
| | | ft-in | mm | ft-in | mm | ft-in | mm | ft-in | mm | in | mm |
| All Configurations | 1-0 | 1-2 1/4 | (362) | 1-0 1/2 | (318) | 1-0 | (305) | 0-8 1/16 | (205) | 9 7/16 | (240) |
| | 1-2 | 1-4 1/4 | (413) | 1-2 1/2 | (368) | 1-2 | (356) | 0-10 1/16 | (256) | 11 7/16 | (291) |
| | 1-6 | 1-8 1/4 | (514) | 1-6 1/2 | (470) | 1-6 | (457) | 1-2 1/16 | (357) | 15 7/16 | (392) |

NOTE:

- Direct Glaze Door Transom Elevations can be found on Marvin.com under TOOLS AND DOCUMENTS

Standard Door Round Top Rough Opening and Field Mulling Guide

| Door Round Tops Guide for Field Mulling to Standard Rectangular Units | | | | | | |
|--|----------------|--------------------|--------|---|-------------|-------|
| Unit Type | RT Call Number | RT 1 Rough Opening | | | | |
| 50R66R UWFD | TR 50R28R | 5'-0" | (1524) | x | 2'-6" | (762) |
| 60R66R UWFD | TR 60R33R | 6'-0" | (1829) | x | 3'-0" | (914) |
| 5068/70/80 UWFD | TR 5030 | 5'-1 5/8" | (1565) | x | 2'-6 13/16" | (783) |
| 6068/70/80 UWFD | TR 6036 | 6'-1 5/8" | (1870) | x | 3'-0 13/16" | (935) |

| Door Round Tops Guide for Field Mulling to Standard Rectangular Units | | | | | | |
|--|----------------|---------------------|--------|---|-------------|-------|
| Unit Type | RT Call Number | RT 29 Rough Opening | | | | |
| 50R66R UWFD | TR 50R14R | 5'-0" | (1524) | x | 1'-5 15/16" | (456) |
| 60R66R UWFD | TR 60R14R | 6'-0" | (1829) | x | 1'-5 15/16" | (456) |
| 5068/70/80 UWFD | TR 5017 | 5'-1 5/8" | (1565) | x | 1'-5 15/16" | (456) |
| 6068/70/80 UWFD | TR 6017 | 6'-1 5/8" | (1870) | x | 1'-5 15/16" | (456) |

Inswing and Outswing Certified Sizes and Ratings

Inswing Doors

| Product | Air Tested to psf | Water Tested to psf | Structural Tested to psf | Certification Rating | Design Pressure (DP) | Overall Width | | Overall Height | | # of Panels |
|--|-------------------|---------------------|--------------------------|----------------------|----------------------|---------------|--------|----------------|--------|-------------|
| | | | | | | in | mm | in | mm | |
| Ultimate Wood Inswing French Door 12080 (OXXO) | 1.57 | 7.75 | 77.5 | LC-PG40-SHD | 40 | 143 | (3632) | 95 1/2 | (2426) | 4 |
| Ultimate Wood Inswing French Door 14080 (OXXO) | 1.57 | 4.5 | 45 | LC-PG30-SHD | 30 | 167 | (4242) | 95 1/2 | (2426) | 4 |

Outswing Doors

| Product | Air Tested to psf | Water Tested to psf | Structural Tested to psf | Certification Rating | Design Pressure (DP) | Overall Width | | Overall Height | | # of Panels |
|---|-------------------|---------------------|--------------------------|----------------------|----------------------|---------------|--------|----------------|--------|-------------|
| | | | | | | in | mm | in | mm | |
| Ultimate Wood Outswing French Door 6080 (XX) | 1.57 | 7.5 | 75 | LC-PG50-SHD | 50 | 72 5/8 | (1845) | 95 1/2 | (2426) | 2 |
| Ultimate Wood Outswing French Door 14080 (OXXO) | 1.57 | 4.5 | 45 | LC-PG30-SHD | 30 | 167 | (4242) | 95 1/2 | (2426) | 4 |

Minimum and Maximum Guidelines: Door and In-Sash Transoms

| Operator/Stationary Units Doors | | | | | | | | | |
|---------------------------------|-----------------------|---------------------|--------|------------|--------|---------------------|--------|------------|--------|
| Unit Type | | Frame Size | | | | | | | |
| | | Min Width | | Min Height | | Max Width | | Max Height | |
| | | in | mm | in | mm | in | mm | in | mm |
| Sidelite | | 13 1/32 | (331) | 23 7/8 | (331) | 19 27/32 | (606) | 95 1/2 | (504) |
| Stationary | | 16 17/32 | (420) | 23 7/8 | (606) | 43 7/16 | (606) | 95 1/2 | (1103) |
| 1 - Panel Operator | Mortise Lock | 16 17/32 | (420) | 54 15/16 | (1395) | 43 7/16 | (1103) | 86 | (2184) |
| | Multi-Point | | | 70 5/16 | (1786) | | | 95 1/2 | (2426) |
| 2 - Panel Operator | Mortise Lock | 30 13/16 | (783) | 54 15/16 | (1395) | 84 5/8 | (2149) | 86 | (2184) |
| | Multi-Point | | | 70 5/16 | (1786) | | | 95 1/2 | (2426) |
| 3 - Panel Operator | Mortise Lock | 45 3/32 | (1145) | 54 15/16 | (1395) | 125 13/16 | (3196) | 86 | (2184) |
| | Multi-Point | | | 70 5/16 | (1786) | | | 95 1/2 | (2426) |
| 4 - Panel Operator | Mortise Lock | 59 3/8 | (1508) | 54 15/16 | (1395) | 167 | (4242) | 86 | (2184) |
| | Multi-Point | | | 70 5/16 | (1786) | | | 95 1/2 | (2426) |
| Transom Units | | | | | | | | | |
| Door Transom | | Min Frame Size Unit | | | | Max Frame Size Unit | | | |
| | | Min Width | | Min Height | | Max Width | | Max Height | |
| | | in | mm | in | mm | in | mm | in | mm |
| Sidelite Transom | Factory/Field Mullled | 13 1/32 | (331) | 11 3/8 | (289) | 84 5/8 | (2149) | 30 | (762) |
| 1 Sash 1 Frame | Stand Alone | | | | | | | | |
| Door Transom | Factory/Field Mullled | 16 17/32 | (420) | 11 3/8 | (289) | 84 5/8 | (2149) | 30 | (762) |
| 1 Sash 1 Frame | Stand Alone | | | | | | | | |
| Transom | Factory/Field Mullled | 30 13/16 | (783) | 11 3/8 | (289) | 84 5/8 | (2149) | 30 | (762) |
| 2 Sash 1 Frame | Stand Alone | | | | | | | | |
| Transom | Factory/Field Mullled | 45 3/32 | (1145) | 11 3/8 | (289) | 125 13/16 | (3196) | 30 | (762) |
| 3 Sash 1 Frame | Stand Alone | | | | | | | | |
| Transom | Factory/Field Mullled | 59 3/8 | (1508) | 11 3/8 | (289) | 167 | (4242) | 30 | (762) |
| 4 Sash 1 Frame | Stand Alone | | | | | | | | |

| Operator/Stationary - Extended Sizes | | | | | |
|--------------------------------------|-------------|---------------------|--------|------------|--------|
| Unit Type | | Max Frame Size Unit | | | |
| | | Max Width | | Max Height | |
| | | in | mm | in | mm |
| Sidelite | | 52 3/8 | (1330) | 113 1/2 | (2883) |
| Stationary | | 52 3/8 | (1330) | 113 1/2 | (2883) |
| 1 - Panel Operator | Multi-Point | 44 3/8 | (1127) | 113 1/2 | (2883) |
| 2 - Panel Operator | Multi-Point | 86 1/2 | (2197) | 113 1/2 | (2883) |
| 3 - Panel Operator | Multi-Point | 128 5/8 | (3267) | 113 1/2 | (2883) |
| 4 - Panel Operator | Multi-Point | 170 3/4 | (4337) | 113 1/2 | (2883) |

| Extended Size Transom | | | | | |
|-----------------------|-----------------------|---------------------|--------|------------|--------|
| Unit Type | | Max Frame Size Unit | | | |
| | | Max Width | | Max Height | |
| | | in | mm | in | mm |
| Sidelite Transom | Factory/Field Mullled | 84 5/8 | (2149) | 50 11/16 | (1287) |
| 1 Sash 1 Frame | Stand Alone | 98 3/16 | (2494) | 50 11/16 | (1287) |
| Door Transom | Factory/Field Mullled | 84 5/8 | (2149) | 50 11/16 | (1287) |
| 1 Sash 1 Frame | Stand Alone | 98 3/16 | (2494) | 50 11/16 | (1287) |
| Transom | Factory/Field Mullled | 86 1/2 | (2197) | 50 11/16 | (1287) |
| 2 Sash 1 Frame | Stand Alone | 191 | (4851) | 50 25/64 | (1280) |
| Transom | Factory/Field Mullled | 128 5/8 | (3267) | 50 11/16 | (1287) |
| 3 Sash 1 Frame | Stand Alone | 191 | (4851) | 50 11/16 | (1287) |
| Transom | Factory/Field Mullled | 170 3/4 | (4337) | 50 11/16 | (1287) |
| 4 Sash 1 Frame | Stand Alone | 191 | (4851) | 50 11/16 | (1287) |

Minimum and Maximum Guidelines: Direct Glaze Rectangle / Transom

| Minimum Guidelines - Ultimate Wood Direct Glaze Rectangles / Transoms | | | | |
|---|-----------|-------|------------|-------|
| Unit Type | Min Width | | Min Height | |
| | in | mm | in | mm |
| Single Glaze | 6 9/16 | (167) | 7 1/2 | (191) |
| Insulating Glass | 6 9/16 | (167) | 7 1/2 | (191) |

| Maximum Guidelines - Ultimate Wood Direct Glaze Rectangles / Transoms | | | | |
|---|-----------------------------|--------|------------|--------|
| Unit Type | Max Width | | Max Height | |
| | in | mm | in | mm |
| Single Glaze | Certified Frame Size | | | |
| | 84 | (2134) | 87 | (2210) |
| | 97 15/16 | (2488) | 74 | (1880) |
| | 87 | (2210) | 84 | (2134) |
| | 74 | (1880) | 97 15/16 | (2488) |
| | Non-Certified Sizes | | | |
| | 145 9/16 | (3697) | 53 7/8 | (1368) |
| | 90 1/2 | (2299) | 86 1/16 | (2186) |
| | 86 1/16 | (2186) | 90 1/2 | (2299) |
| | 53 7/8 | (1368) | 145 9/16 | (3697) |
| Insulating Glass | Certified Size | | | |
| | 84 | (2134) | 97 15/16 | (2488) |
| | 97 15/16 | (2488) | 84 | (2134) |
| | Non-Certified Sizes | | | |
| | 145 9/16 | (3697) | 63 15/16 | (1624) |
| | 107 3/4 | (2737) | 86 1/16 | (2186) |
| | 86 1/16 | (2186) | 107 3/4 | (2737) |
| | 63 15/16 | (1624) | 145 9/16 | (3697) |

Measurement Conversions

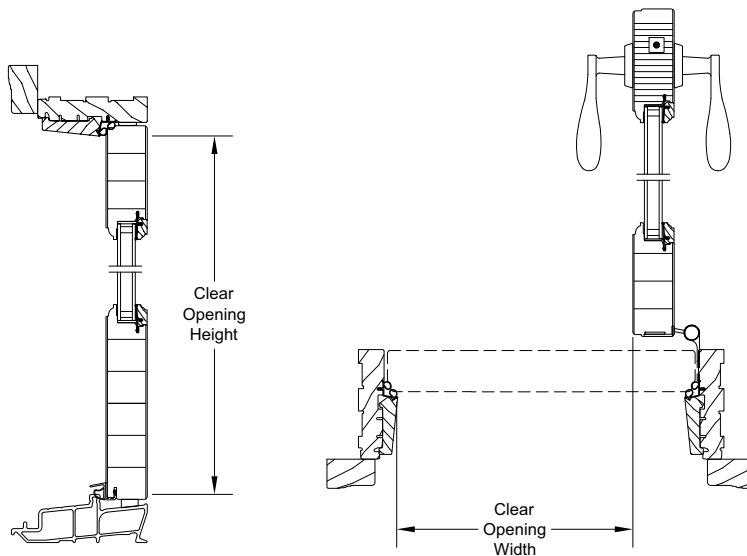
| Unit Measurements | | Width | | | Height | |
|------------------------|--------------------------|-----------|-------|-----|----------|-------|
| From | To | in | mm | | in | mm |
| Frame | | | | | | |
| OM of Frame | Rough Opening | + 1 | (25) | | + 1/2 | (13) |
| Masonry Opening w/BMC | Rough Opening | -2 1/8 | (54) | | -1 1/16 | (27) |
| Operating Panel | | | | | | |
| OM of Frame | OM of Panel (x1) | -2 3/8 | (60) | | -3 | (76) |
| OM of Frame | OM of Panel (x2) | -2 1/2 | (64) | ÷ 2 | -3 | (76) |
| OM of Frame | OM of Panel (x3) | -2 5/8 | (67) | ÷ 3 | -3 | (76) |
| OM of Frame | OM of Panel (x4) | -2 3/4 | (70) | ÷ 4 | -3 | (76) |
| OM of Frame | OM of Sidelite | -2 3/8 | (60) | | -3 | (76) |
| Daylight Opening | OM of Panel | + 9 15/32 | (240) | | + 12 7/8 | (327) |
| Daylight Opening | OM of Contemporary Panel | + 9 15/32 | (240) | | + 9 1/2 | (241) |
| Daylight Opening | OM of Sidelite | + 5 31/32 | (152) | | + 12 7/8 | (327) |
| Glass | | | | | | |
| Daylight Opening | Glass | + 1 5/16 | (33) | | + 1 5/16 | (33) |

| Ultimate Wood Inswing / Outswing French Door Transoms - Direct Glaze | | | | | | |
|--|---------------|---------|-------|--|---------|------|
| Unit Measurements | | Width | | | Height | |
| From | To | in | mm | | in | mm |
| Frame | | | | | | |
| OM of Frame | Rough Opening | + 1 | (25) | | + 1/2 | (13) |
| Masonry Opening | Rough Opening | + 1/2 | (13) | | + 1/4 | (06) |
| Masonry Opening w/BMC | Rough Opening | -2 1/8 | (54) | | -1 1/16 | (27) |
| Masonry Opening w/Flat Casing | Rough Opening | -5 1/2 | (140) | | -2 3/4 | (70) |
| Glass | | | | | | |
| Rough Opening | Glass | -3 9/16 | (90) | | -3 1/16 | (78) |

| Ultimate Wood Inswing / Outswing French Door Transoms - In Sash | | | | | | |
|---|------------------|-----------|-------|-----|-----------|-------|
| Unit Measurements | | Width | | | Height | |
| From | To | in | mm | | in | mm |
| Frame | | | | | | |
| OM of Frame | Rough Opening | + 1 | (25) | | + 1/2 | (13) |
| Masonry Opening | Rough Opening | + 1/2 | (13) | | + 1/4 | (06) |
| Masonry Opening w/BMC | Rough Opening | -2 1/8 | (54) | | -1 1/16 | (27) |
| Masonry Opening w/Flat Casing | Rough Opening | -5 1/2 | (140) | | -2 3/4 | (70) |
| Operating Sash | | | | | | |
| Rough Opening | OM of Panel (x1) | -3 3/8 | (86) | | -3 3/16 | (81) |
| Rough Opening | OM of Panel (x2) | -3 1/2 | (89) | ÷ 2 | -3 3/16 | (81) |
| Rough Opening | OM of Panel (x3) | -3 5/8 | (92) | ÷ 3 | -3 3/16 | (81) |
| Rough Opening | OM of Panel (x4) | -3 3/4 | (95) | ÷ 4 | -3 3/16 | (81) |
| Rough Opening | OM of Sidelite | -3 3/8 | (86) | | -3 3/16 | (81) |
| Glass | Sash OM | + 8 5/32 | (207) | | + 4 11/16 | (119) |
| Glass | OM of Sidelite | + 4 21/32 | (118) | | + 4 11/16 | (119) |
| Glass | | | | | | |
| Rough Opening | Glass | -11 17/32 | (293) | | -7 7/8 | (200) |

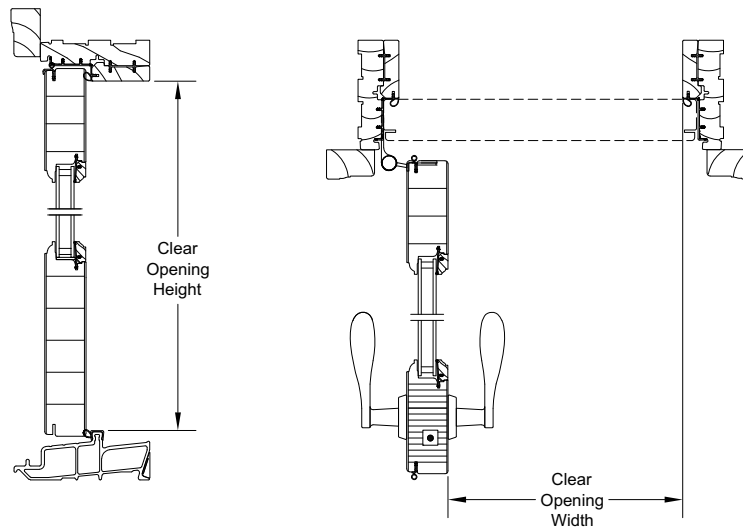
Net Clear Openings: Inswing

| Net Clear Opening Ultimate Wood Inswing French Door | | | |
|--|-------------|--------------------|--------|
| Width | | | |
| Unit Type | Call Number | Net Clear Openings | |
| | | ft-in | mm |
| 1 Panel Operator | 2-6R | 2-1 17/64 | (642) |
| | 3-0R | 2-7 17/64 | (794) |
| | 2-0 | 1-8 1/16 | (510) |
| | 2-6 | 2-2 1/16 | (662) |
| | 2-8 | 2-4 1/16 | (713) |
| | 3-0 | 2-8 5/64 | (815) |
| | 3-6 | 3-2 1/16 | (967) |
| 2 Panel Operator | 5-0R* | 4-3 9/16 | (1310) |
| | 6-0R* | 5-3 9/16 | (1614) |
| | 4-0 | 3-5 3/16 | (1046) |
| | 5-0 | 4-5 3/16 | (1351) |
| | 5-4 | 4-9 3/16 | (1453) |
| | 6-0 | 5-5 3/16 | (1656) |
| | 7-0 | 6-5 3/16 | (1961) |
| Height | | | |
| Unit Type | Call Number | Net Clear Openings | |
| | | ft - in | mm |
| All Configurations | 6-6R | 6-3 27/32 | (1927) |
| | 6-8 | 6-6 11/32 | (1990) |
| | 7-0 | 6-10 11/32 | (2092) |
| | 8-0 | 7-7 27/32 | (2333) |



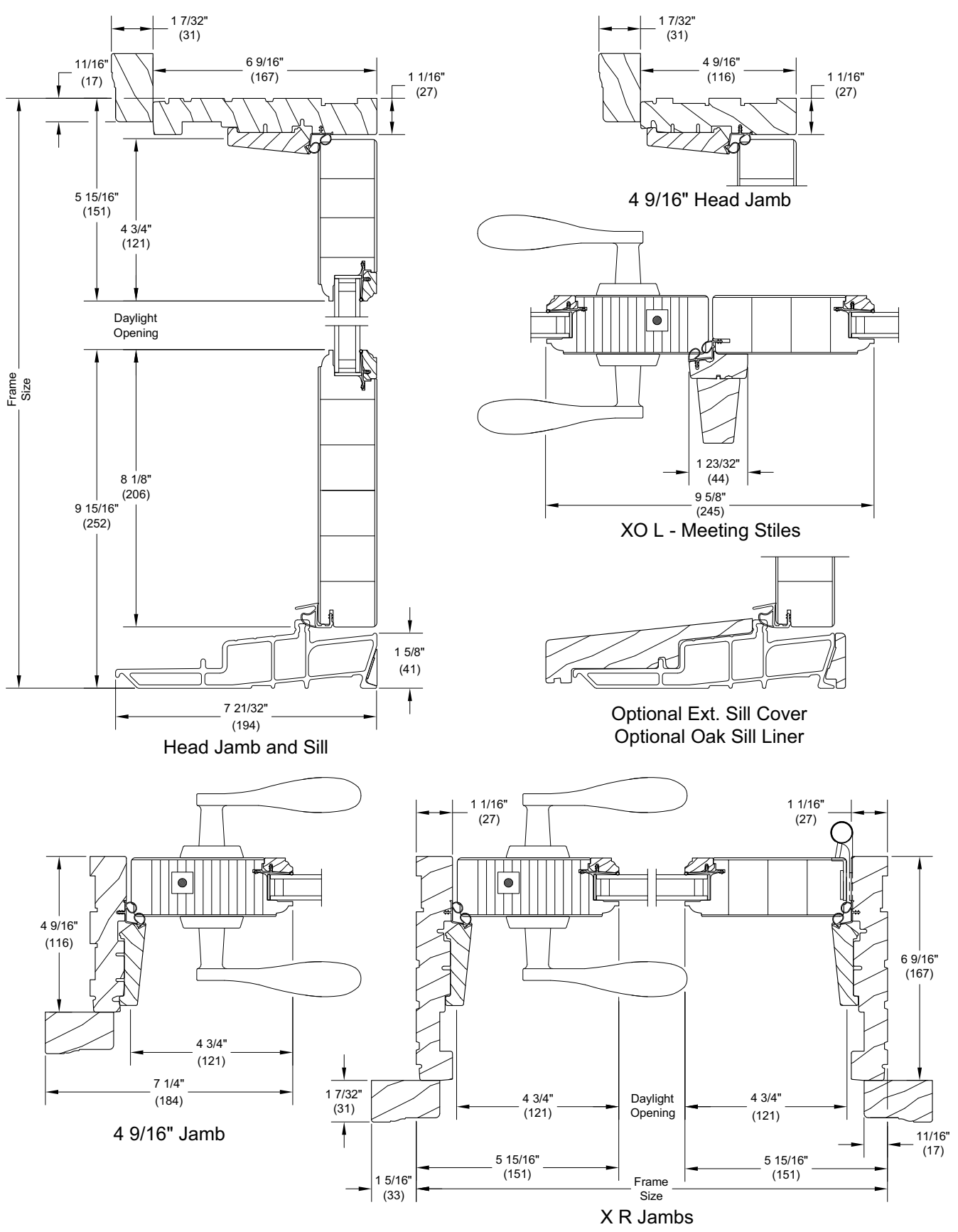
Net Clear Opening: Outswing

| Net Clear Opening Ultimate Wood Outswing French Door | | | |
|---|-------------|--------------------|--------|
| Width | | | |
| Unit Type | Call Number | Net Clear Openings | |
| | | ft-in | mm |
| 1 Panel Operator | 2-6R | 2-1 13/64 | (640) |
| | 3-0R | 2-7 13/64 | (793) |
| | 2-0 | 1-8 1/64 | (508) |
| | 2-6 | 2-2 1/64 | (661) |
| | 2-8 | 2-4 1/64 | (712) |
| | 3-0 | 2-8 1/64 | (813) |
| | 3-6 | 3-2 1/64 | (966) |
| 2 Panel Operator | 5-0R* | 4-2 7/64 | (1273) |
| | 6-0R* | 5-2 7/64 | (1578) |
| | 4-0 | 3-3 47/64 | (1009) |
| | 5-0 | 4-3 47/64 | (1314) |
| | 5-4 | 4-7 47/64 | (1416) |
| | 6-0 | 5-3 47/64 | (1619) |
| | 7-0 | 6-3 47/64 | (1924) |
| Height | | | |
| Unit Type | Call Number | Net Clear Openings | |
| | | ft - in | mm |
| All Configurations | 6-6R | 6-3 3/4 | (1924) |
| | 6-8 | 6-6 1/4 | (1987) |
| | 7-0 | 6-10 1/4 | (2089) |
| | 8-0 | 7-7 3/4 | (2330) |



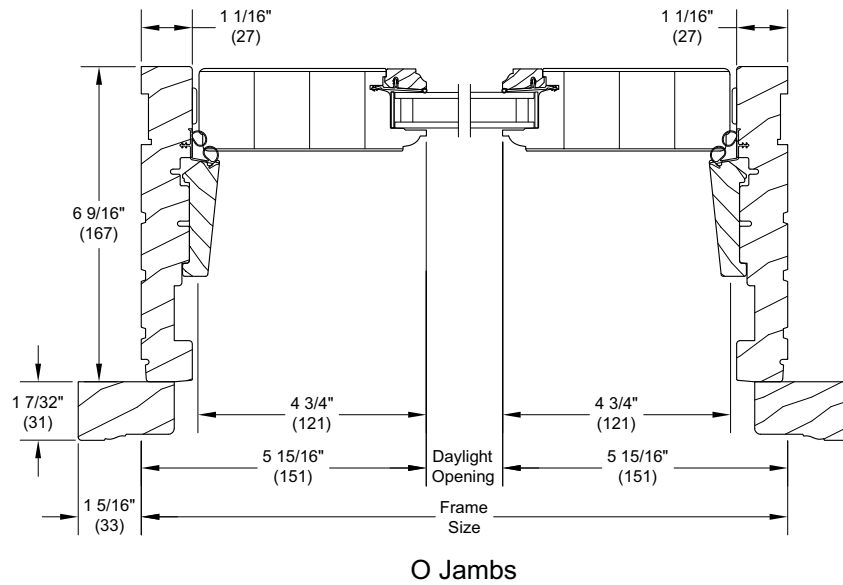
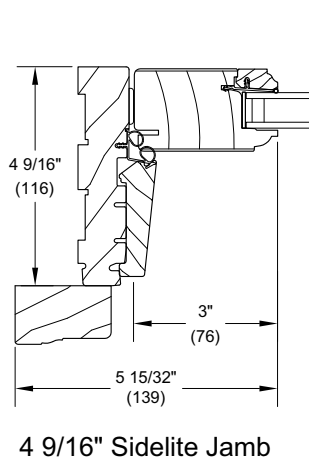
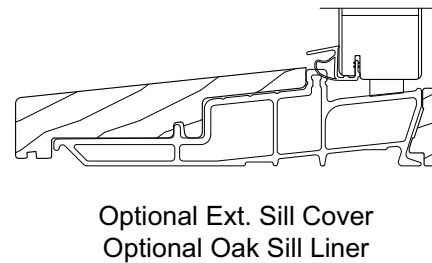
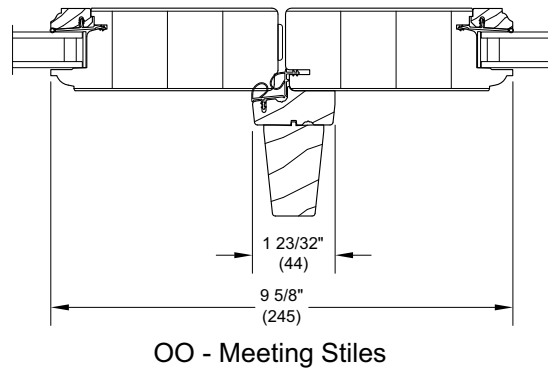
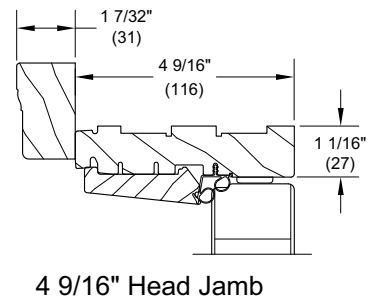
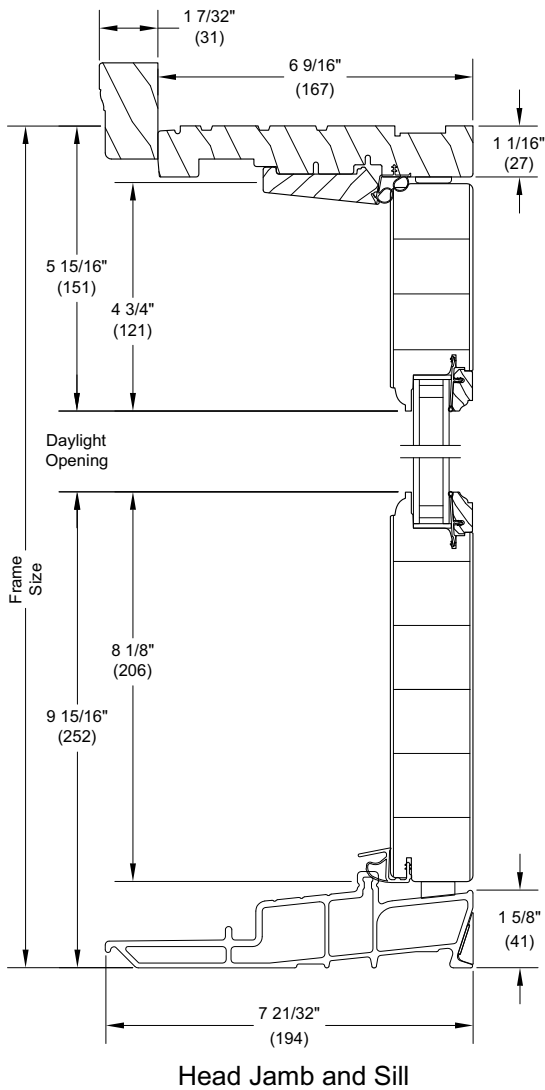
Inswing Section Details: Operating

Scale: 3" = 1' 0"



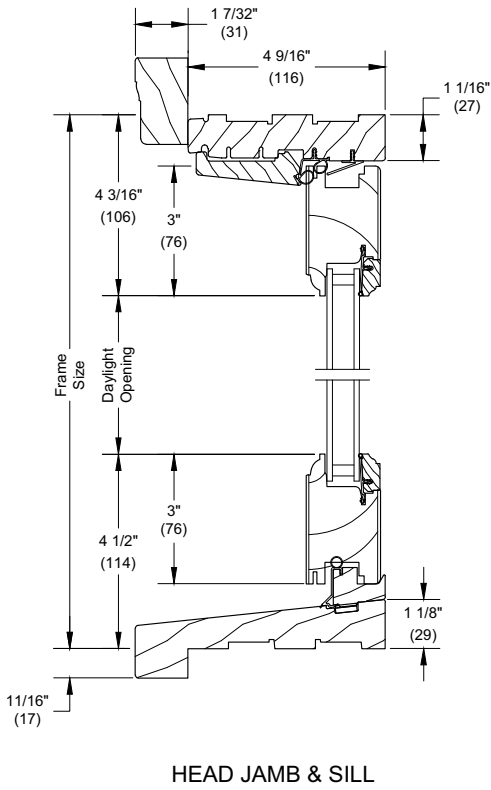
Inswing Section Details: Stationary and Sidelite

Scale: 3" = 1' 0"

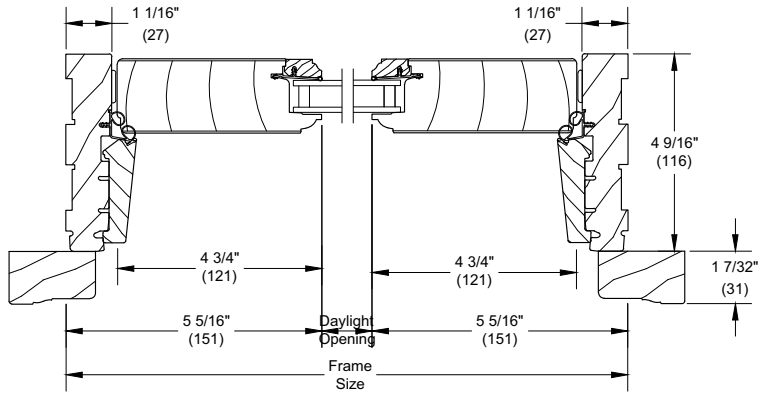


Inswing Section Details: In-Sash Transom

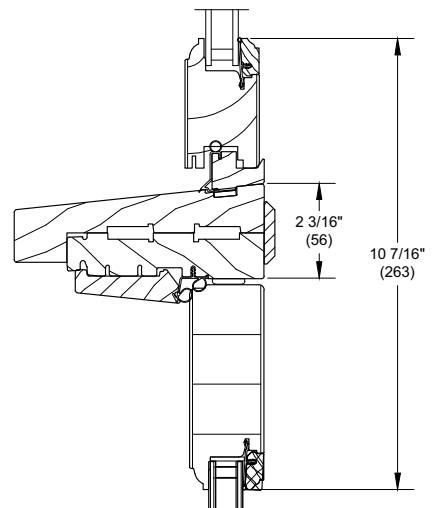
Scale: 3" = 1' 0"



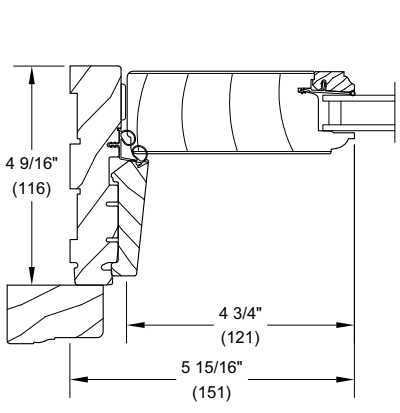
HEAD JAMB & SILL



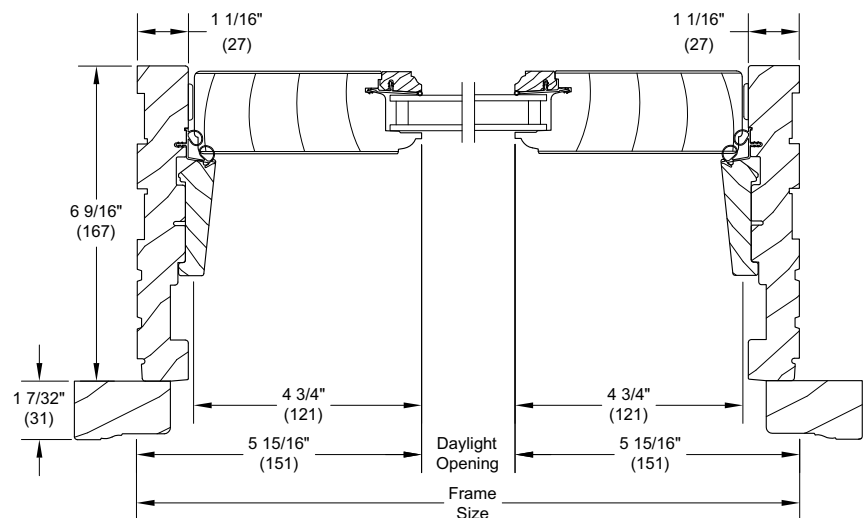
IN SASH TRANSOM JAMB



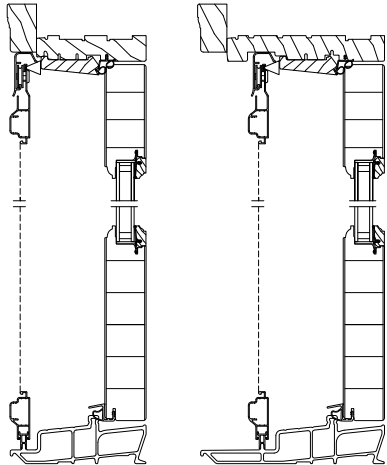
RECTANGULAR TRANSOM OVER ULTIMATE WOOD INSWING FRENCH DOOR



4 9/16" In Sash Transom Jamb



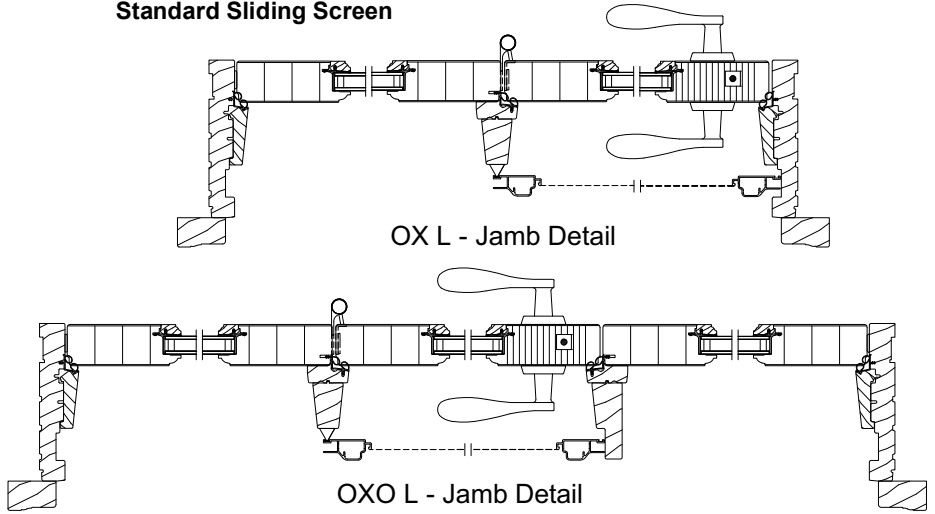
Inswing Section Details: Standard Sliding and Standard Swinging Screens



4 9/16" Head
Jamb and Sill

6 9/16" Head
Jamb and Sill

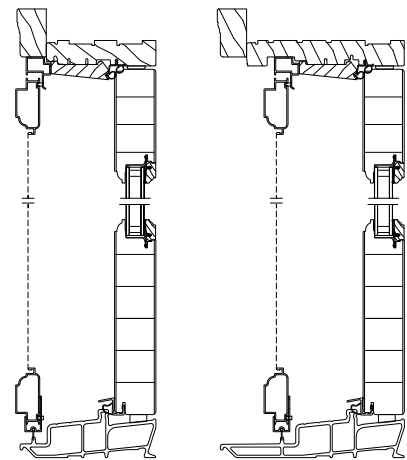
Standard Sliding Screen



OX L - Jamb Detail

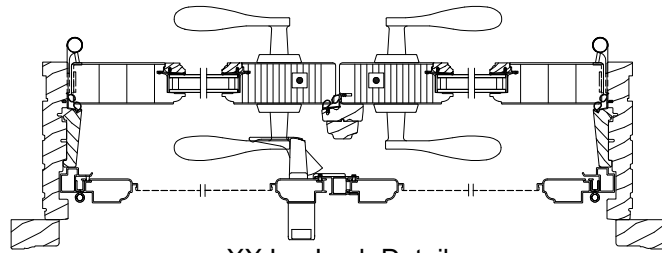
OXO L - Jamb Detail

Standard Swinging Screen

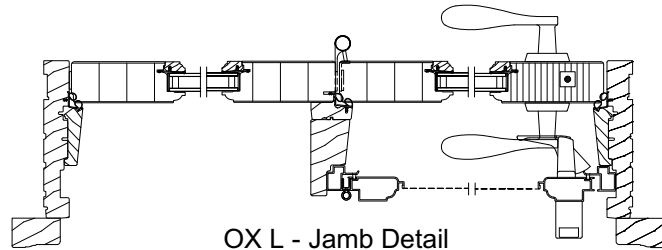


4 9/16" Head
Jamb and Sill

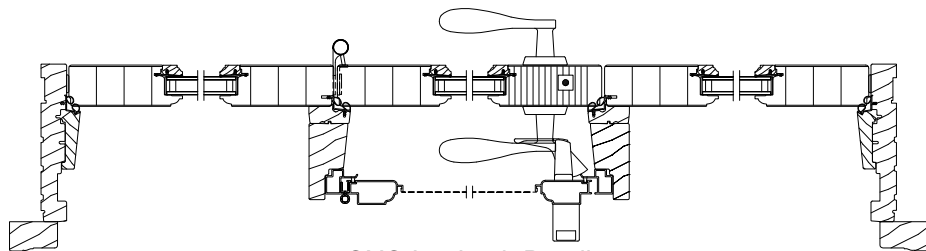
6 9/16" Head
Jamb and Sill



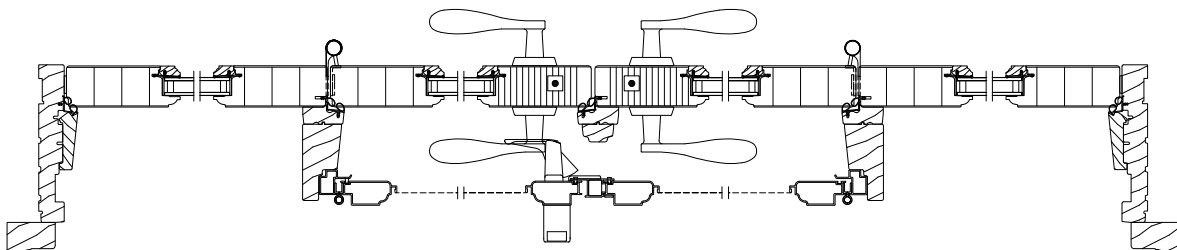
XX L - Jamb Detail



OX L - Jamb Detail

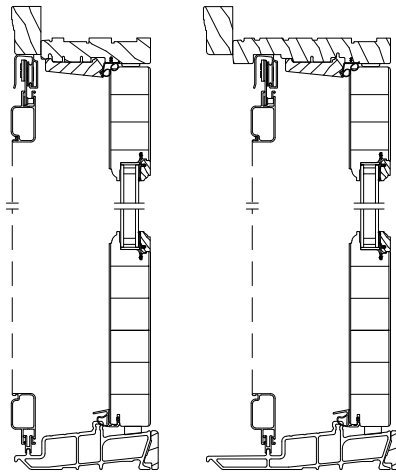


OXO L - Jamb Detail



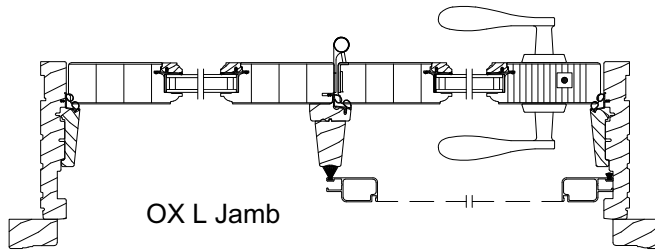
OXXO L - Jamb Detail

Inswing Section Details: Ultimate Sliding Screen

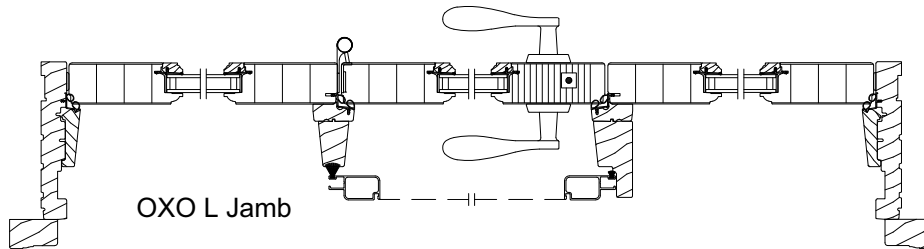


4 9/16" Head
Jamb and Sill

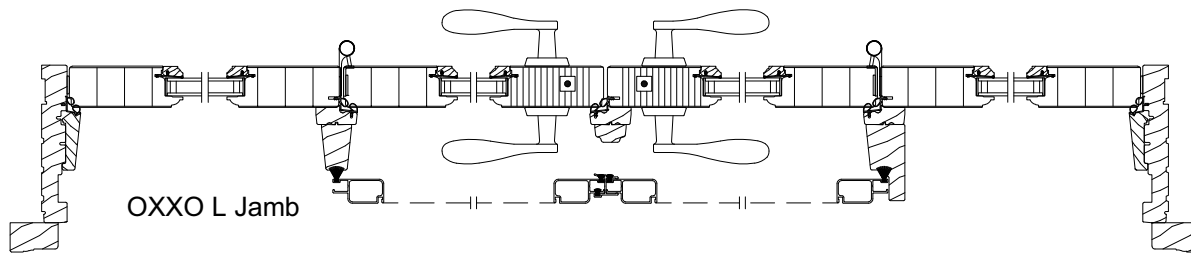
6 9/16" Head
Jamb and Sill



OX L Jamb

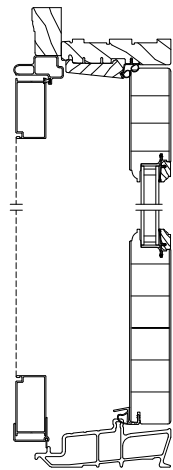


OXO L Jamb

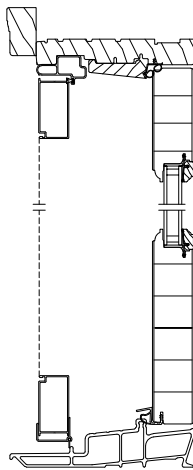


OXXO L Jamb

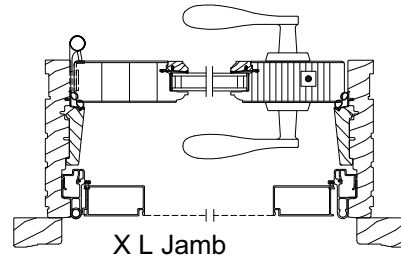
Inswing Section Details: Ultimate Swinging Screen



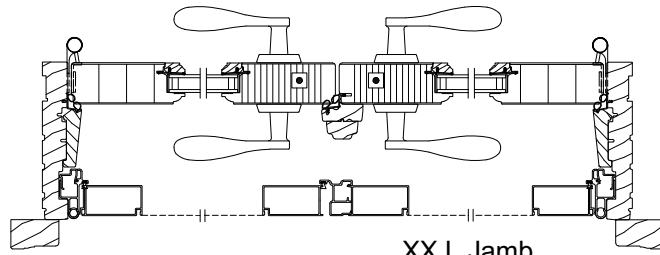
4 9/16" Head
Jamb and Sill



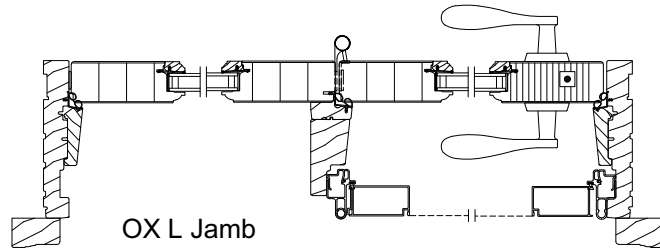
6 9/16" Head
Jamb and Sill



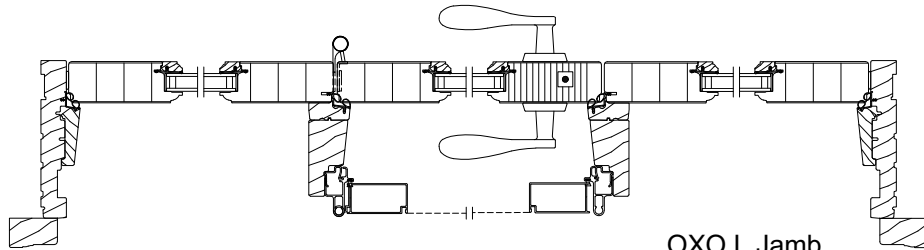
X L Jamb



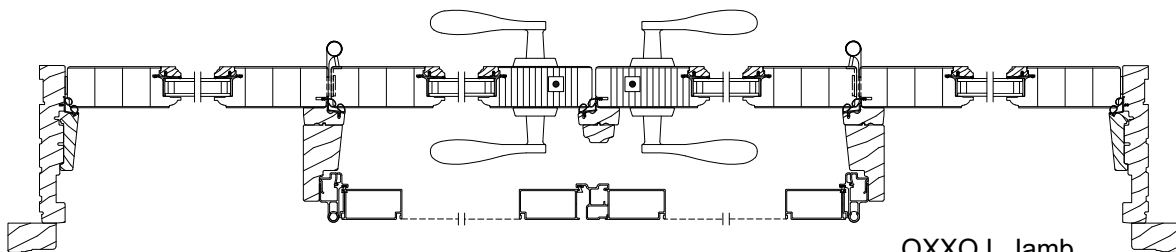
XX L Jamb



OX L Jamb

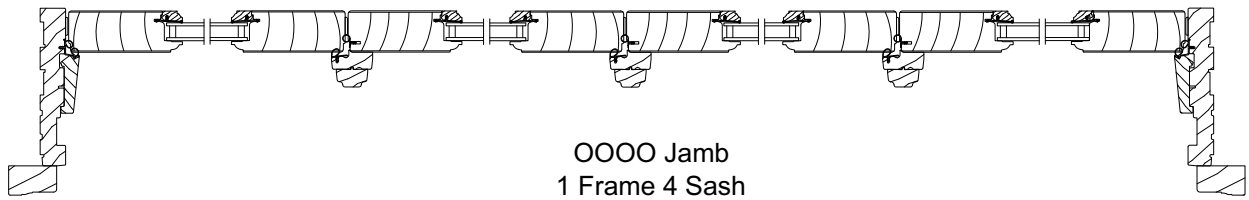
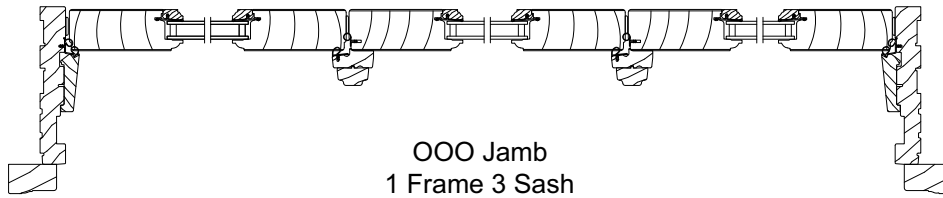
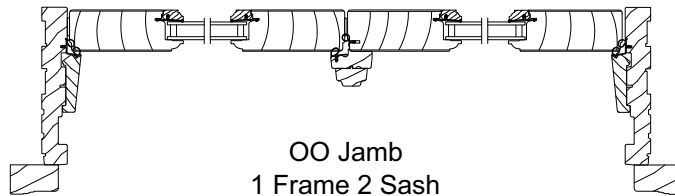
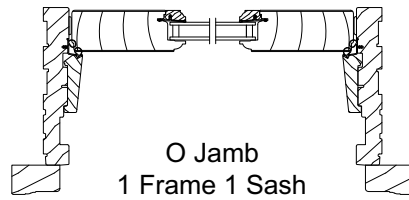
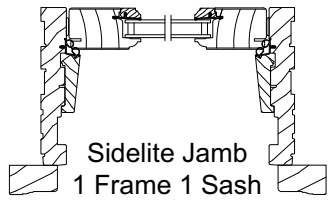


OXO L Jamb



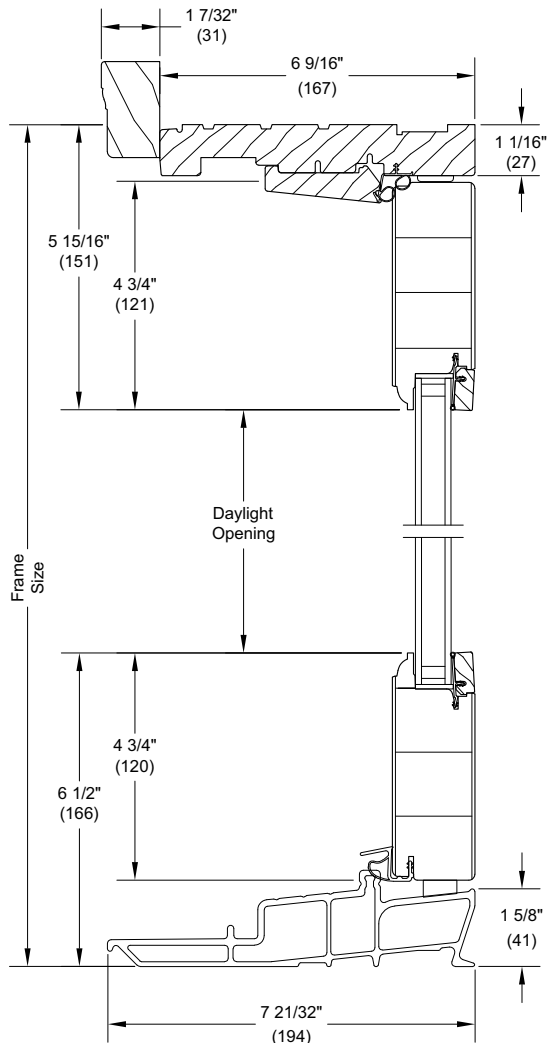
OXOX L Jamb

Inswing Section Details: In-Sash Transom Configurations

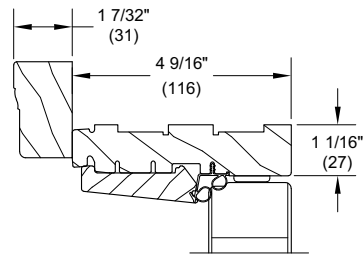


Inswing Section Details: Short Bottom Rail

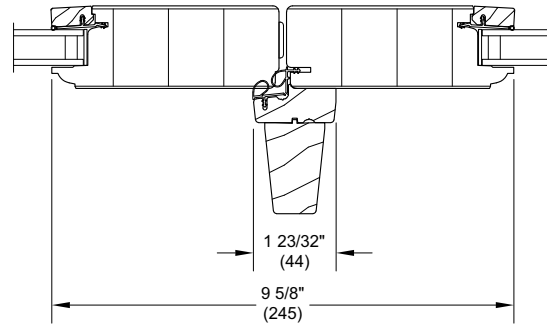
Scale: 3" = 1' 0"



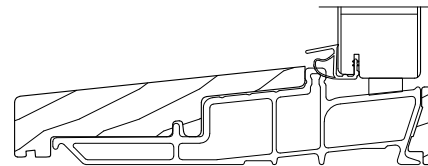
**Head Jamb and Sill
With 4 3/4" Short Bottom
Rail and Glazing Bead**



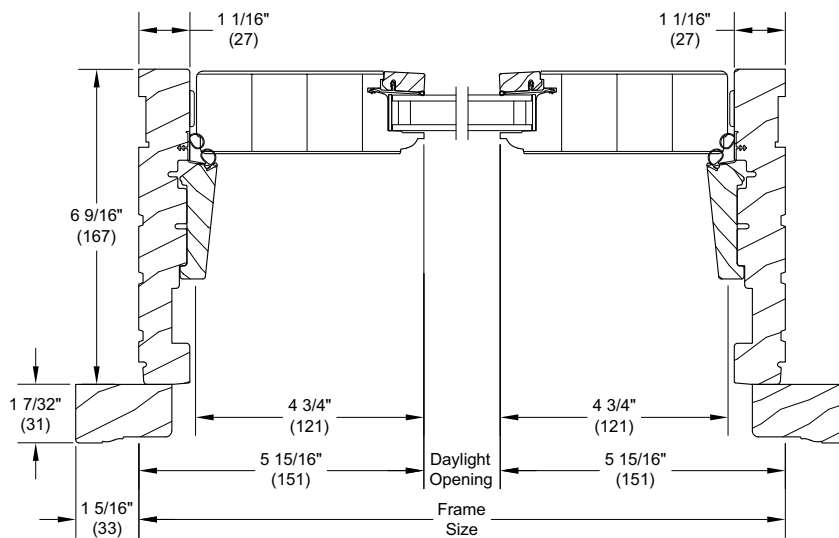
4 9/16" Head Jamb



OO - Meeting Stiles



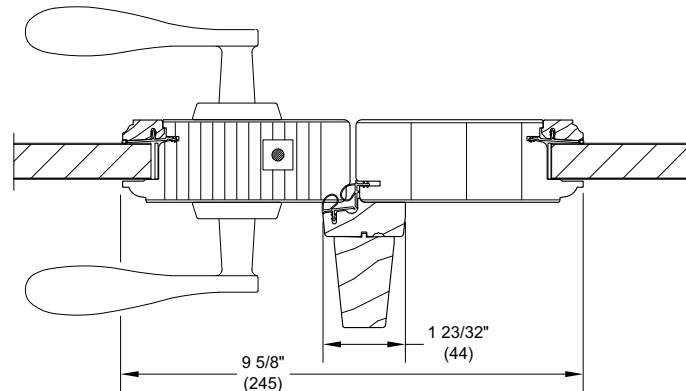
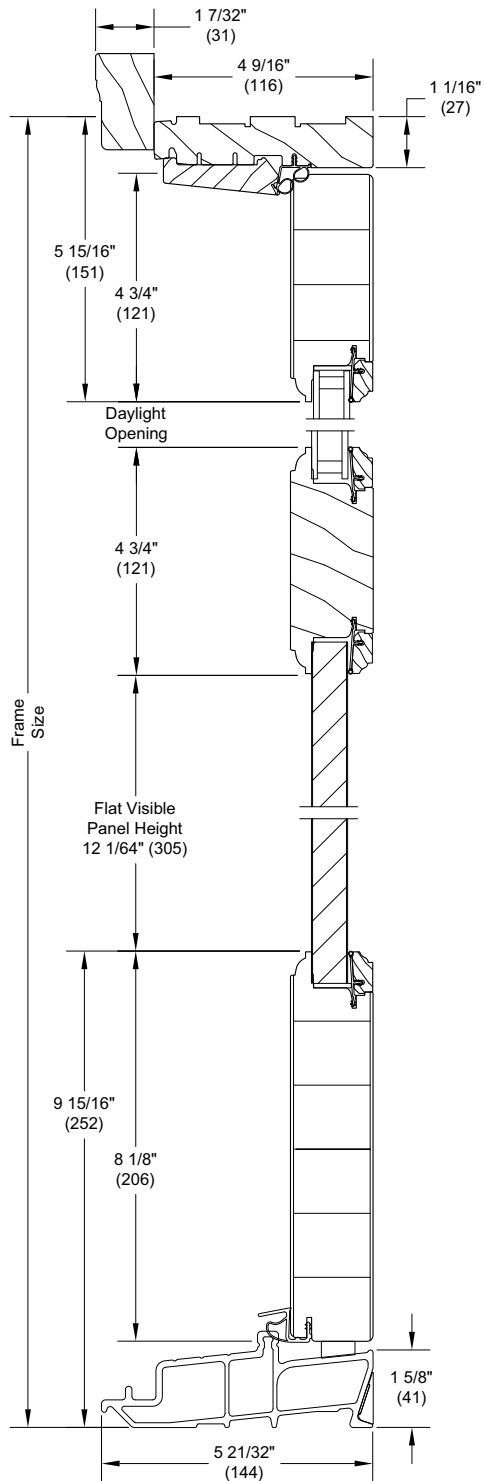
**Optional Ext. Sill Cover
Optional Oak Sill Liner**



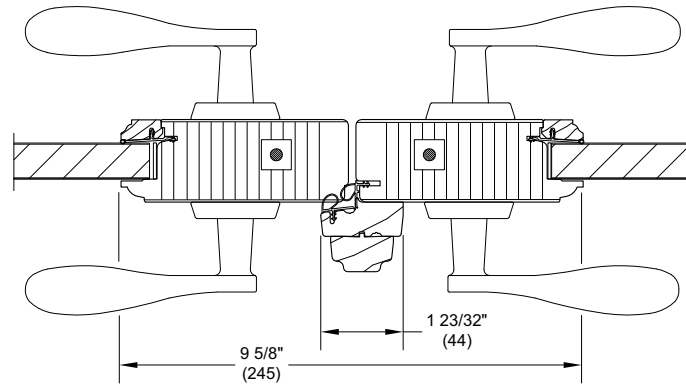
O Jambs

Inswing Section Details: Flat Panel Placement

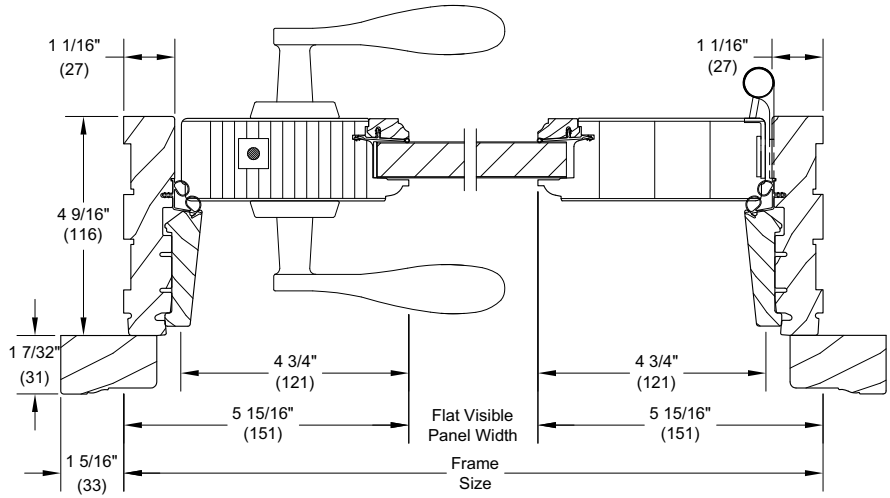
Scale: 3" = 1' 0"



OX L - Meeting Stiles



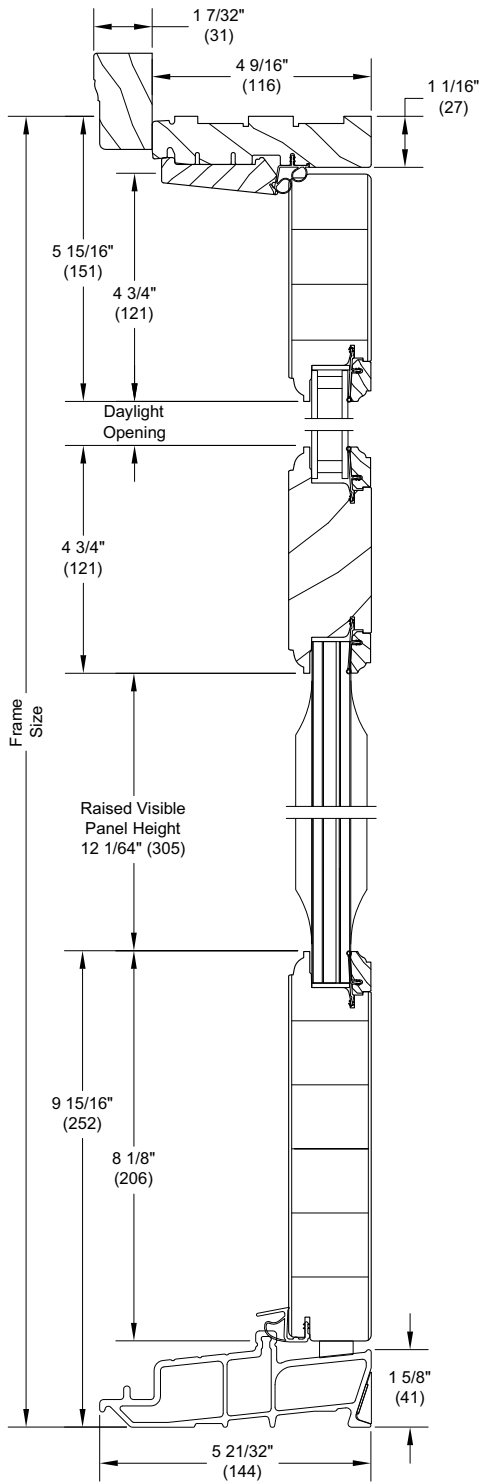
XX L - Meeting Stiles



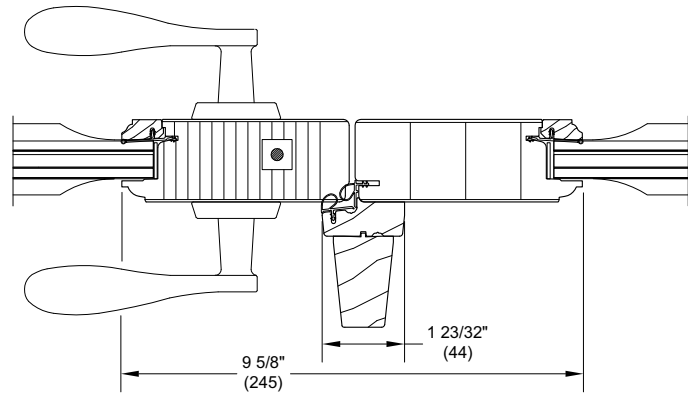
X R - Jamb

Inswing Section Details: Raised Panel Placement

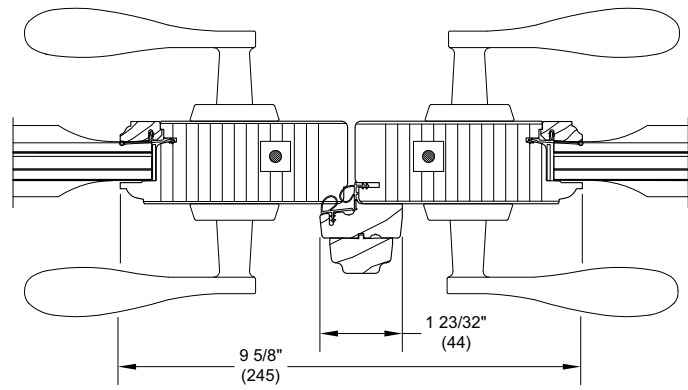
Scale: 3" = 1' 0"



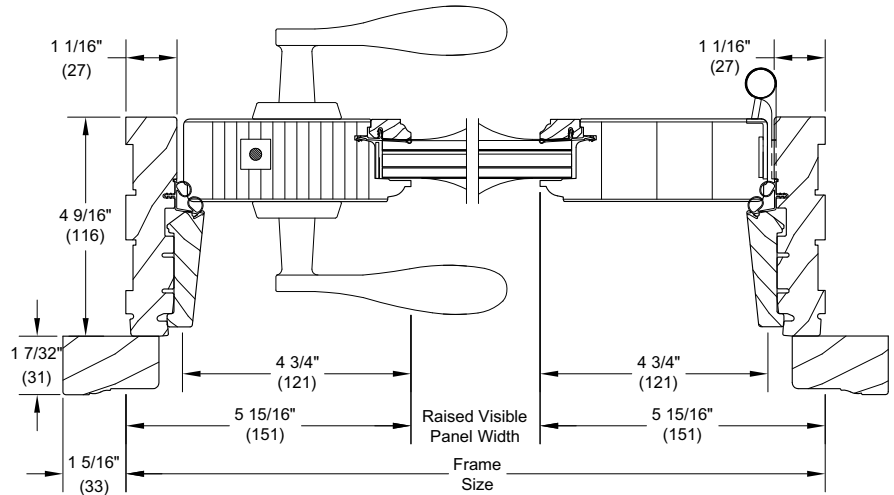
Head Jamb and Sill



OX L - Meeting Stiles



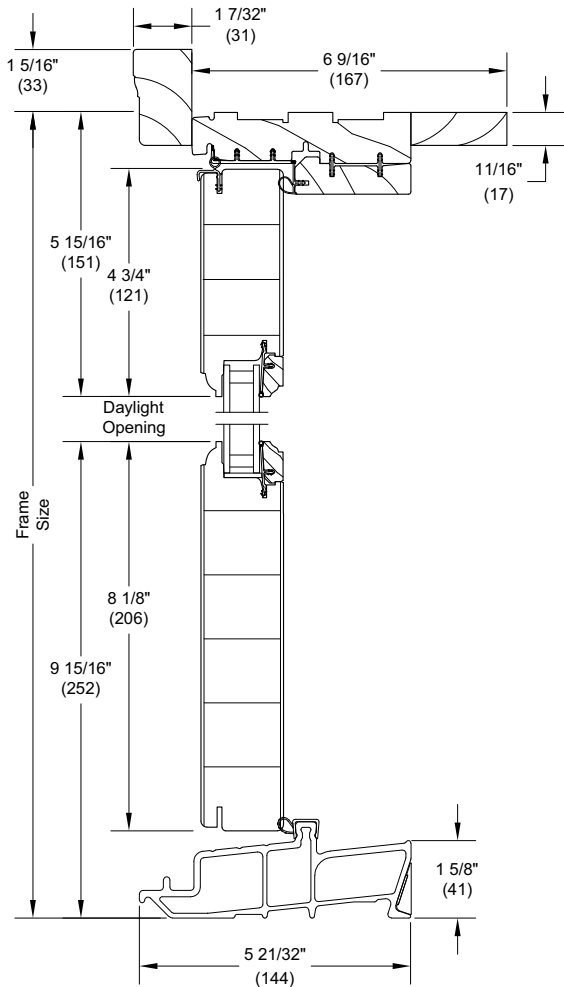
XX L - Meeting Stiles



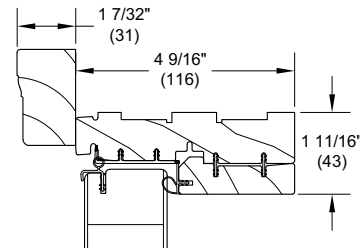
X R - Jamb

Outswing Section Details: Operating

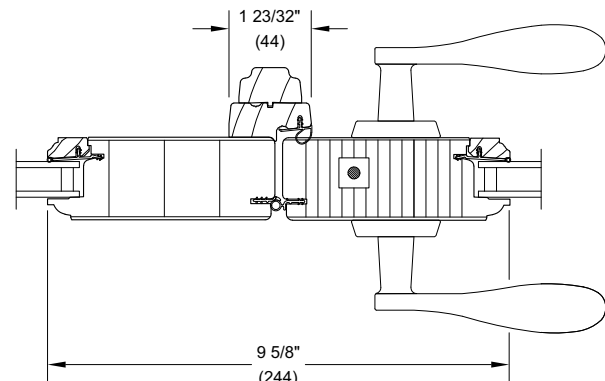
Scale: 3" = 1' 0"



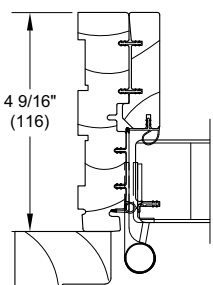
Head Jamb and Sill



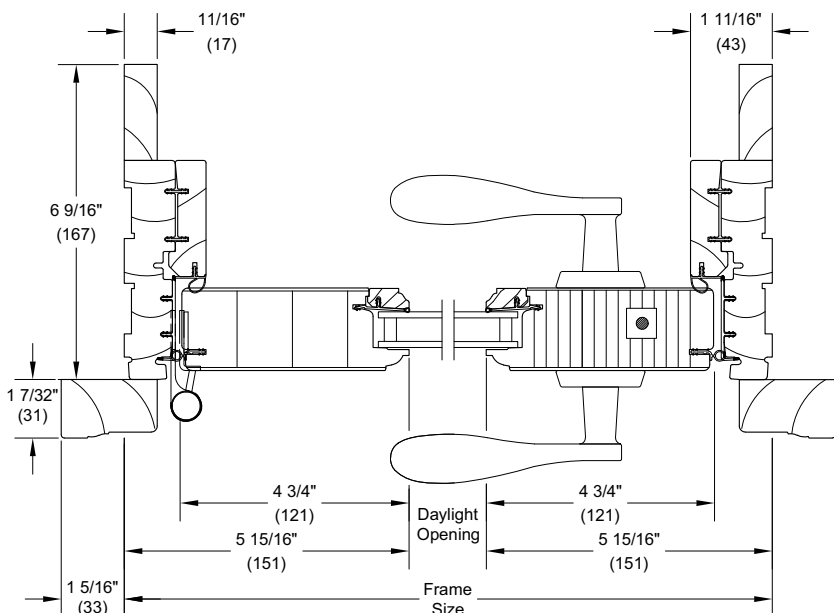
4 9/16" Head Jamb



OX L - Meeting Stiles



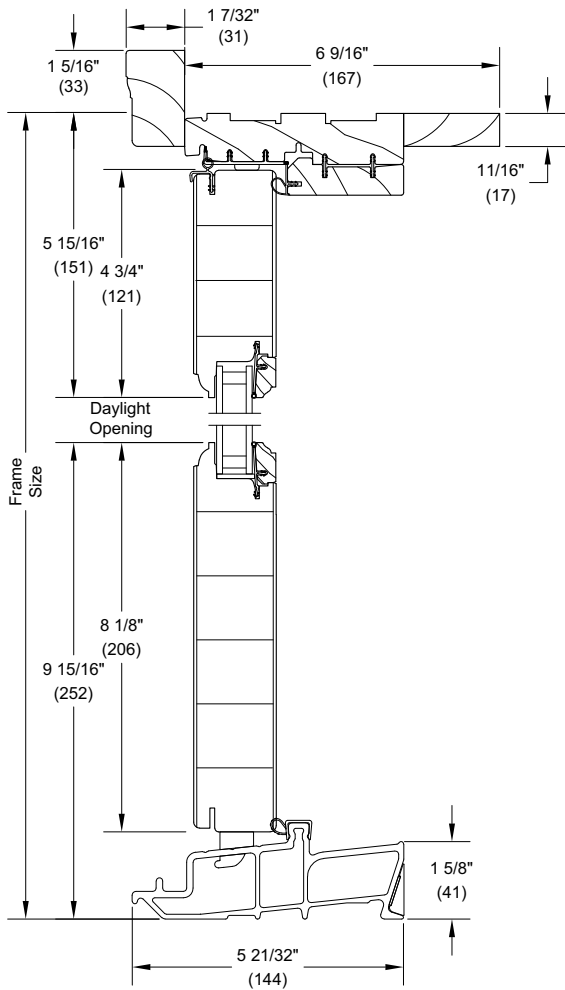
4 9/16" Jamb



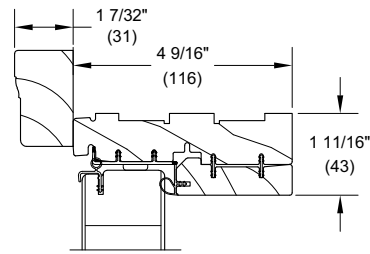
X R - Jamb

Outswing Section Details: Stationary and Sidelite

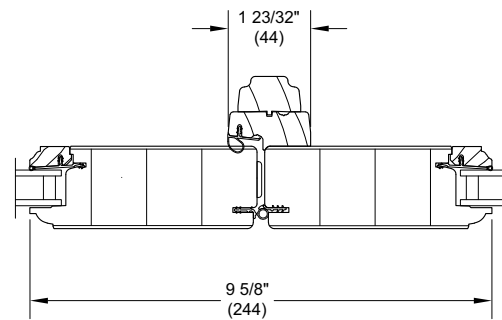
Scale: 3" = 1' 0"



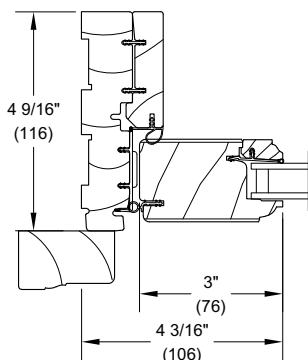
Head Jamb and Sill



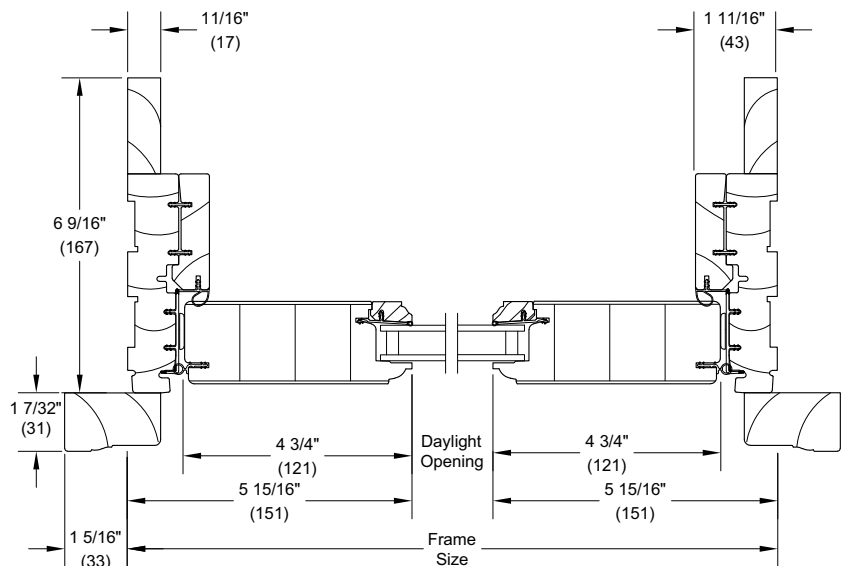
4 9/16" Head Jamb



OO - Meeting Stiles



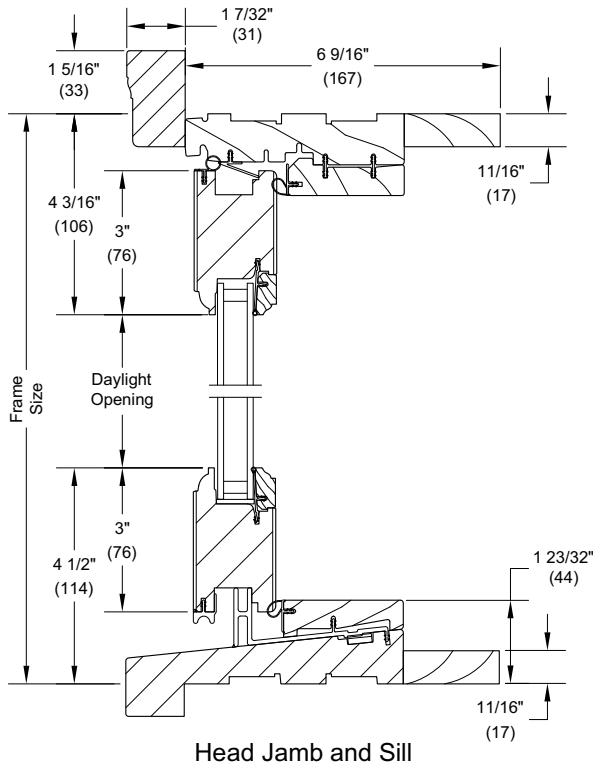
**O - Jamb
3" Stile**



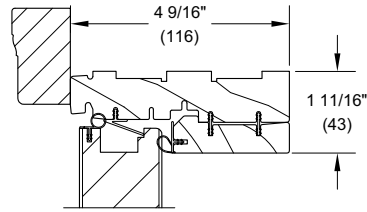
O - Jamb

Outswing Section Details: In-Sash Transom

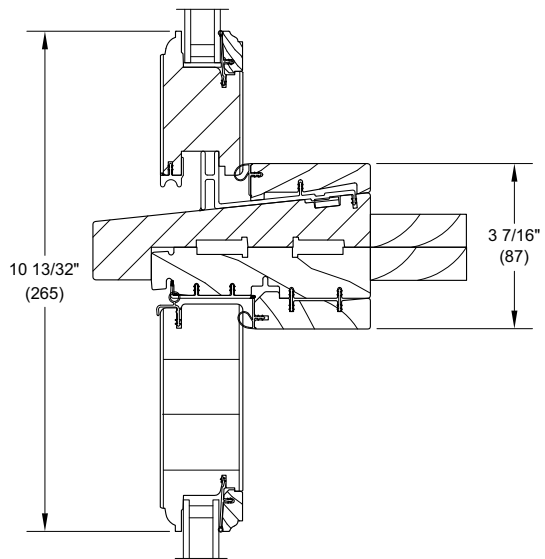
Scale: 3" = 1' 0"



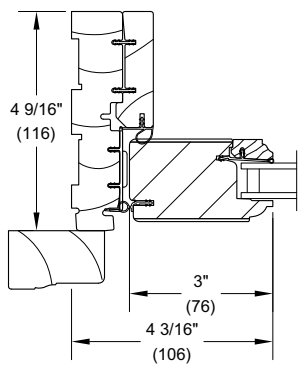
Head Jamb and Sill



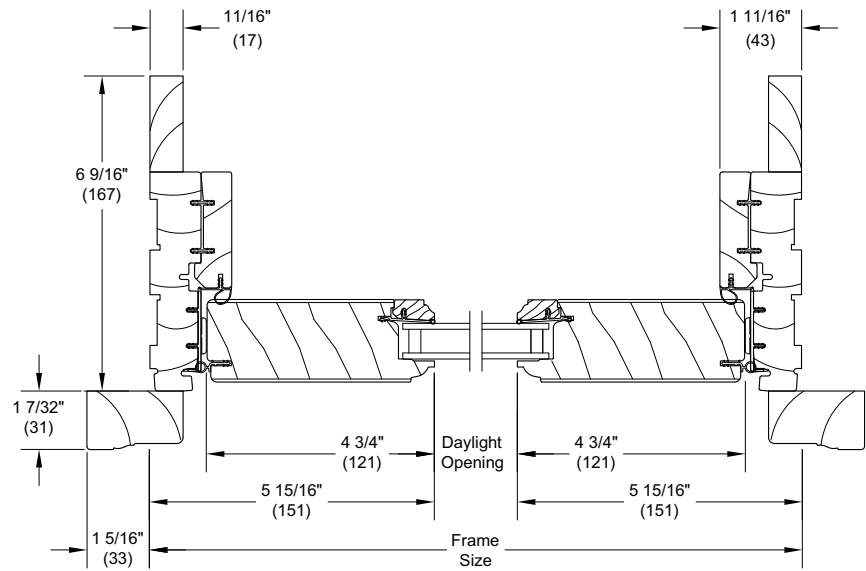
4 9/16" In-Sash Transom Head Jamb



Rectangular Transom over Outswing French Door

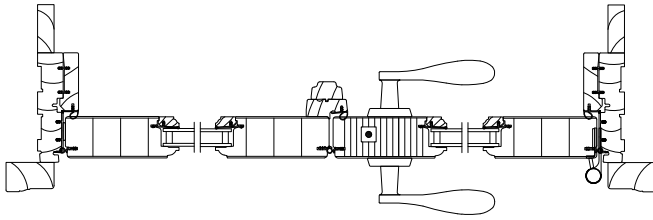


In-Sash Transom Jamb 3" Stile

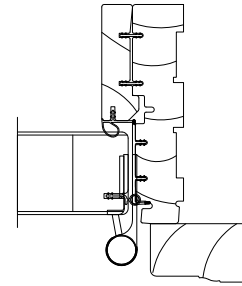


In-Sash Transom Jamb

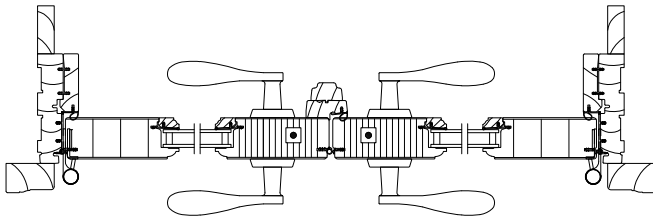
Outswing Section Details: Operating Panel Configurations



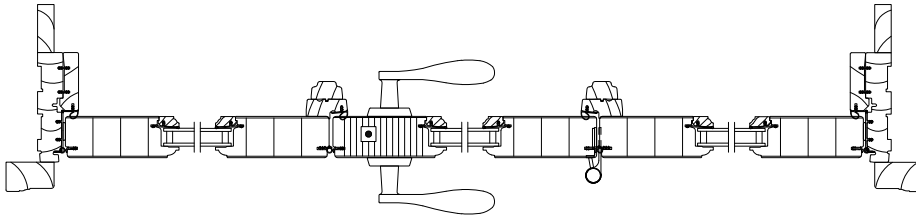
OX R - Jamb



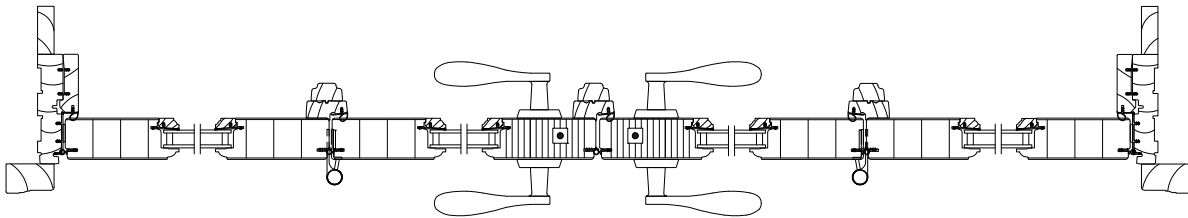
4 9/16\" - Jamb
Scale: 3\" = 1'-0\"



XX L - Jamb

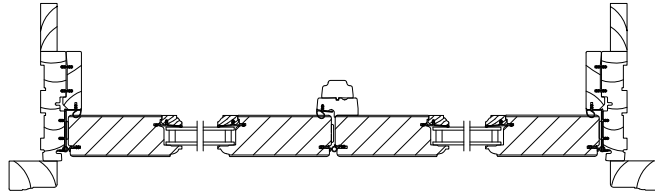


OXO L - Jamb

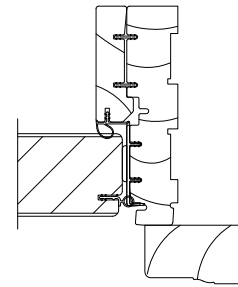


OXXO L - Jamb

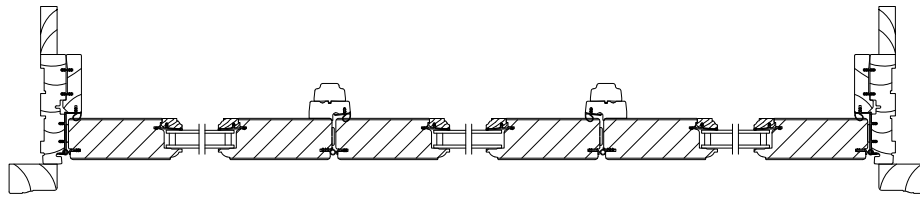
Outswing Section Details: In-Sash Transom Configurations



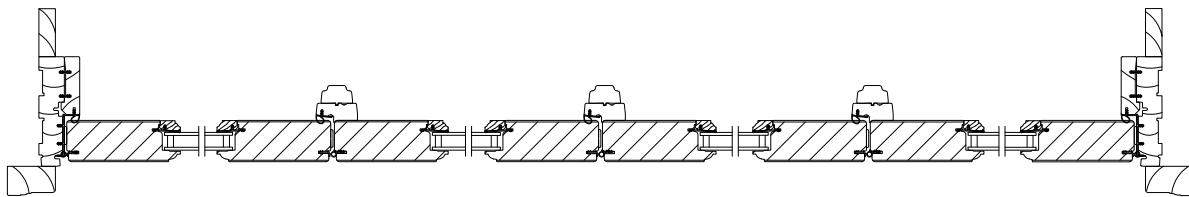
OO Jamb
1 Frame 2 Sash



4 9/16" - Jamb
Scale: 3" = 1' - 0"



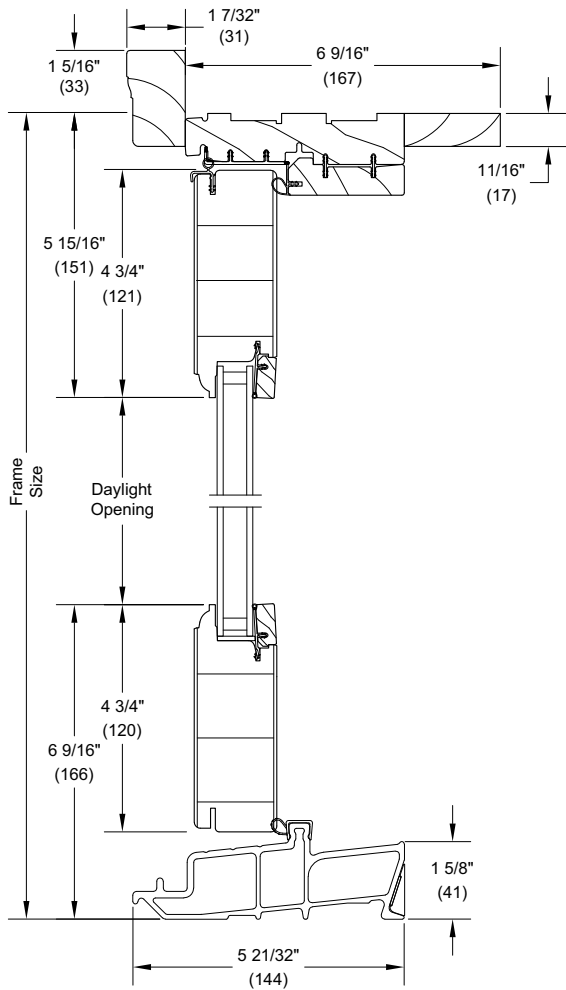
OOO Jamb
1 Frame 3 Sash



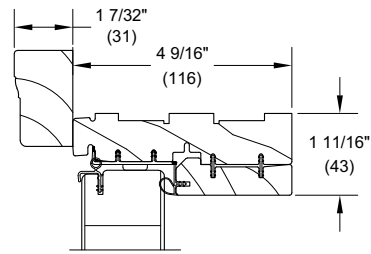
OOOO Jamb
1 Frame 4 Sash

Outswing Section Details: Short Bottom Rail

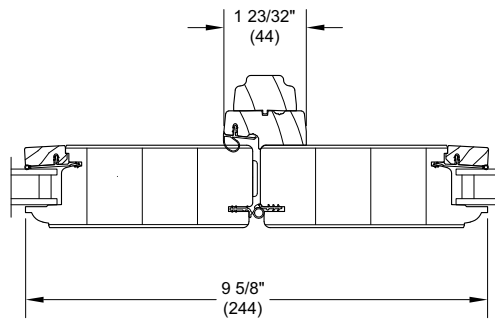
Scale: 3" = 1' 0"



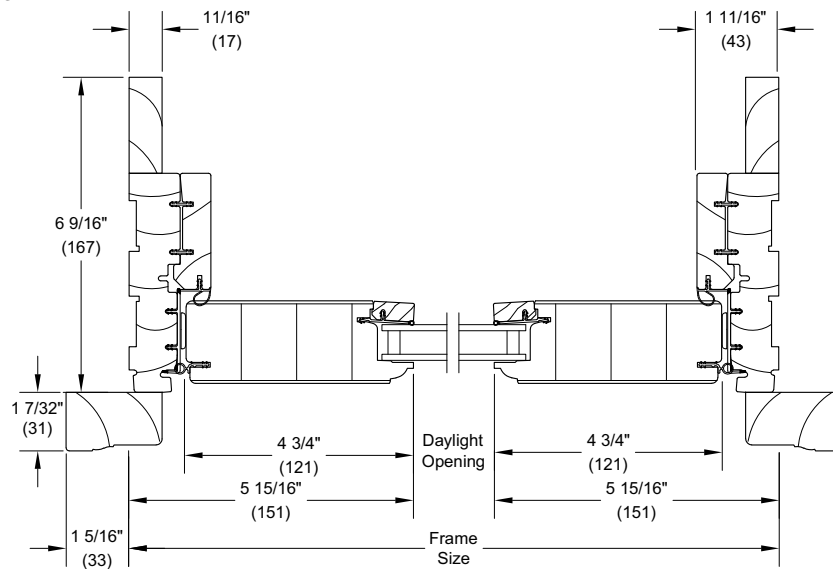
**Head Jamb and Sill
With 4 3/4" Short Bottom
Rail and Glazing Bead**



4 9/16" Head Jamb



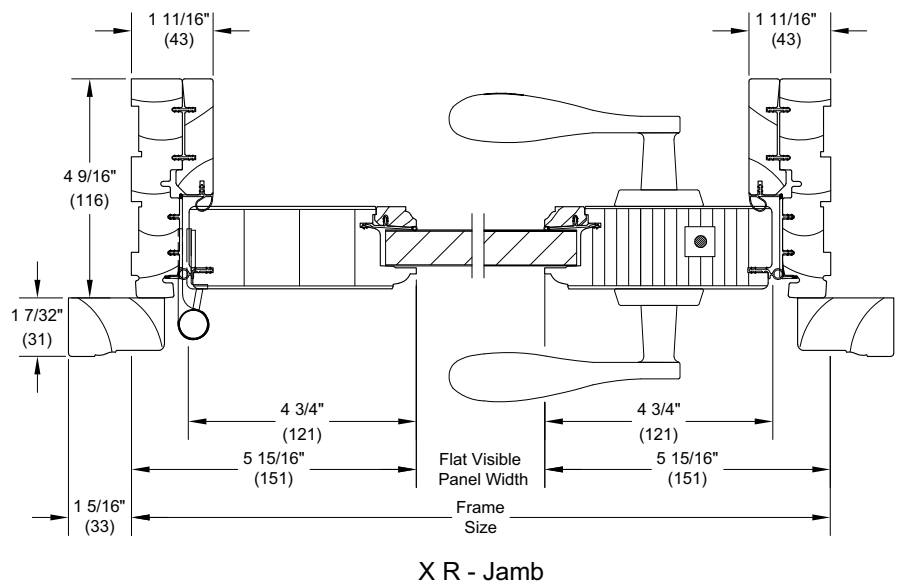
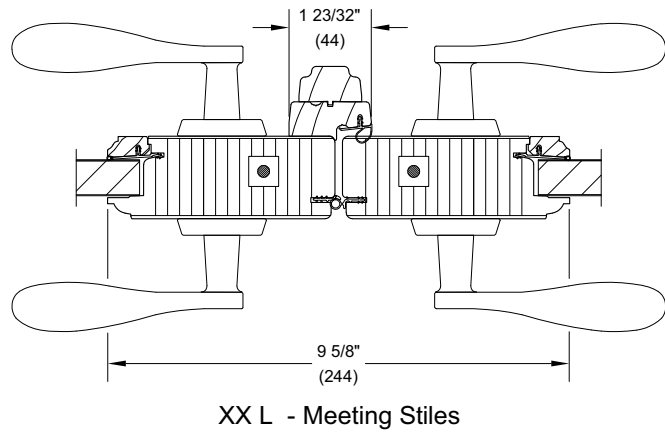
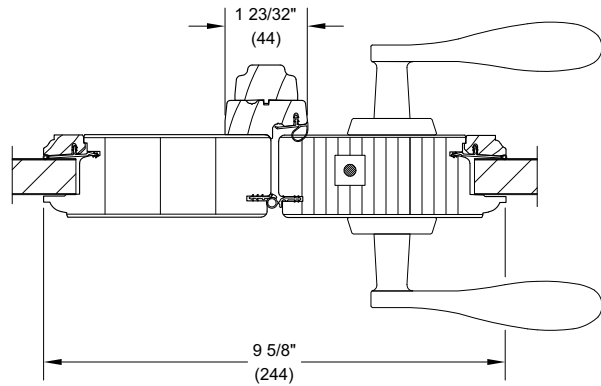
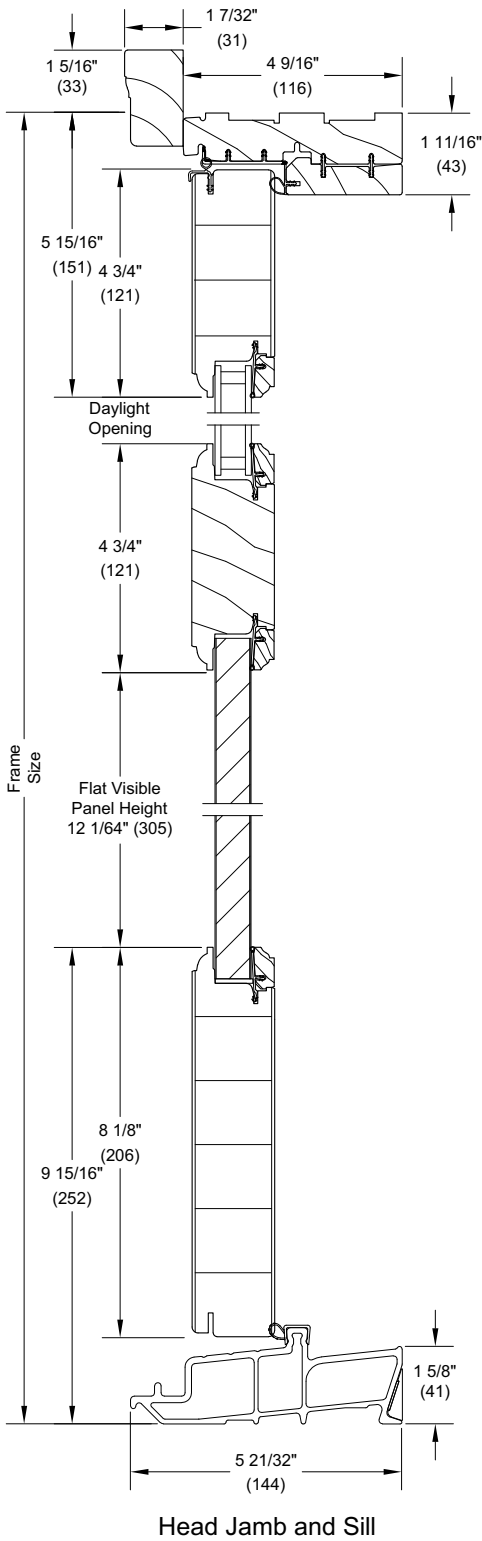
OO - Meeting Stiles



O - Jamb

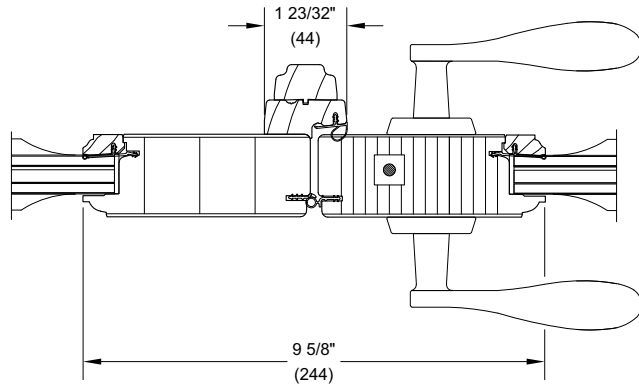
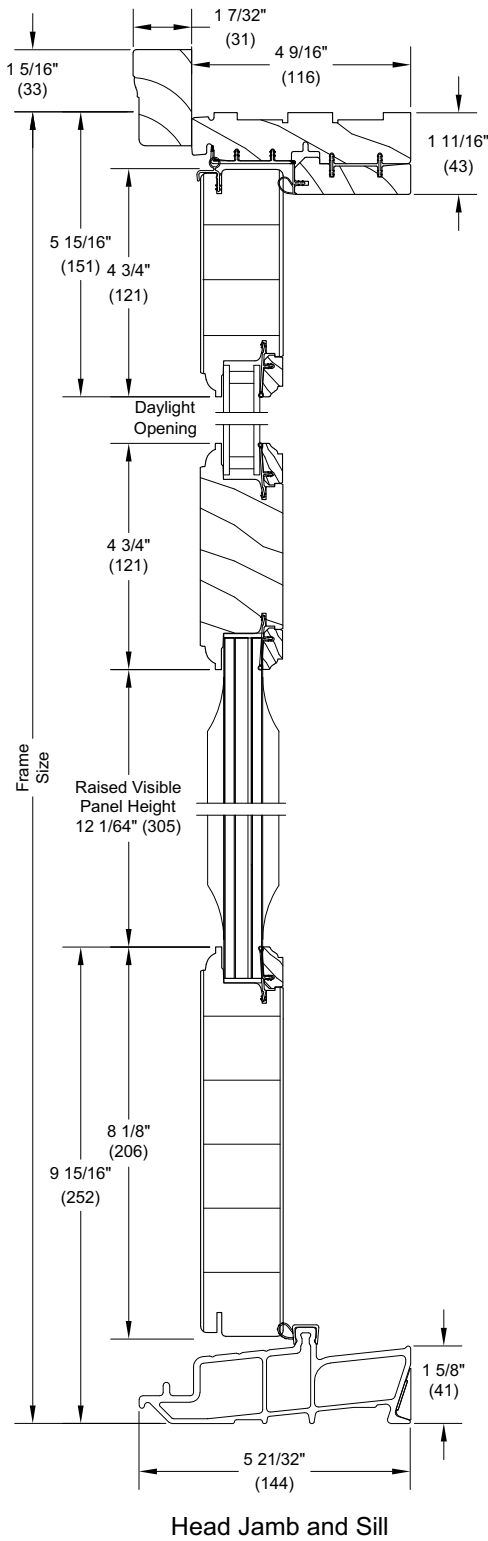
Outswing Section Details: Flat Panel Placement

Scale: 3" = 1' 0"

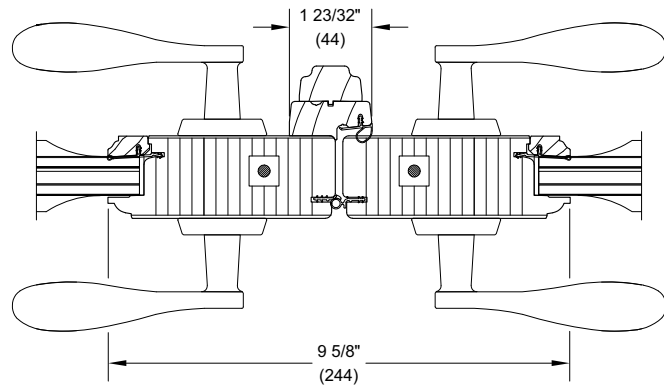


Outswing Section Details: Raised Panel Placement

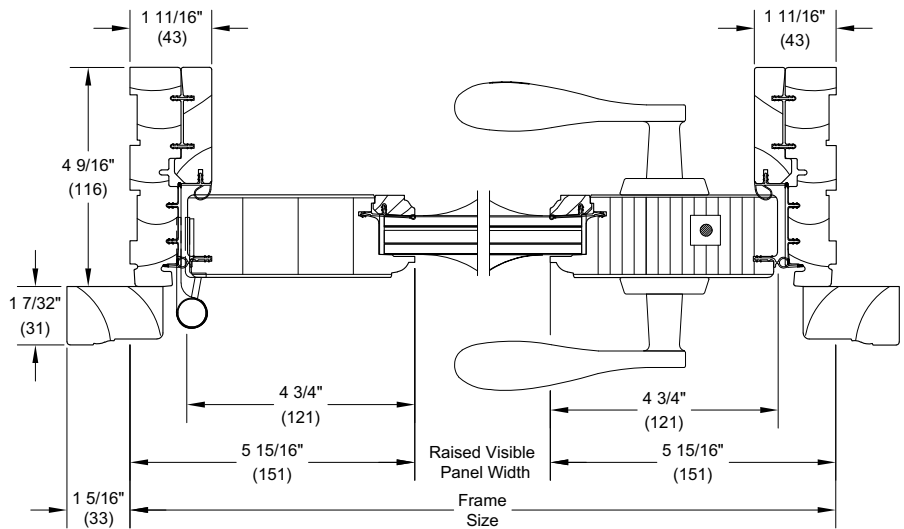
Scale: 3" = 1' 0"



OX L - Meeting Stiles



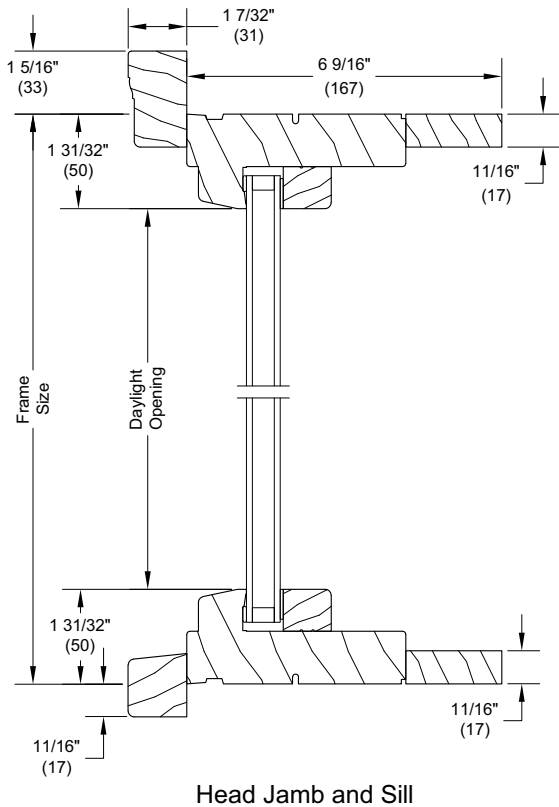
XX L - Meeting Stiles



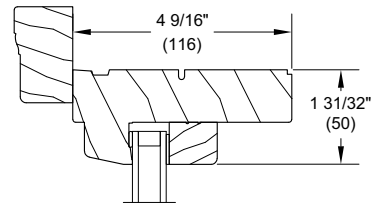
X R - Jamb

Inswing/Outswing Section Details: Direct Glaze Transom

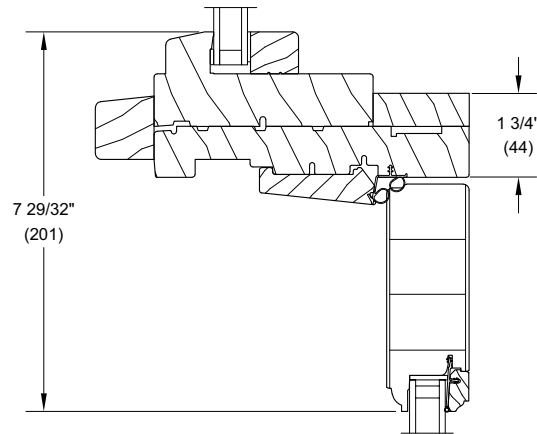
Scale: 3" = 1' 0"



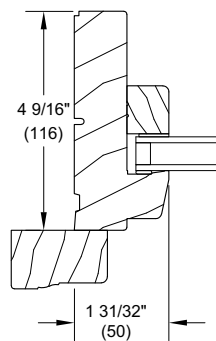
Head Jamb and Sill



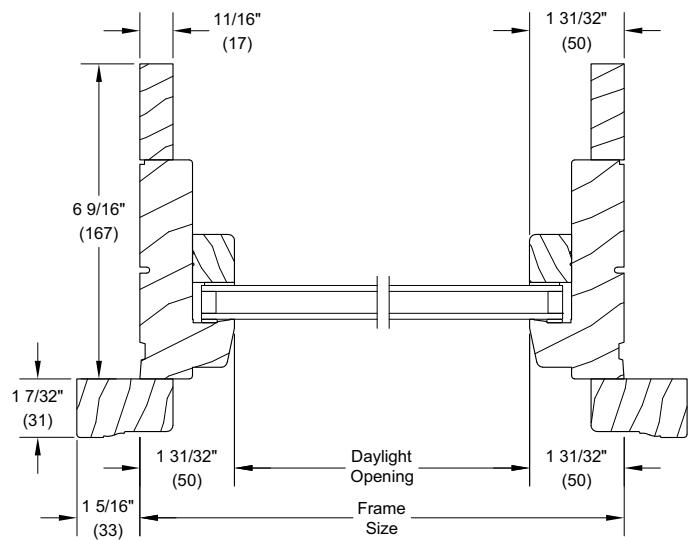
4 9/16" Head Jamb



Rectangular Ultimate Direct Glaze Transom over Ultimate Inswing French Door w/ 6 9/16" Jamb



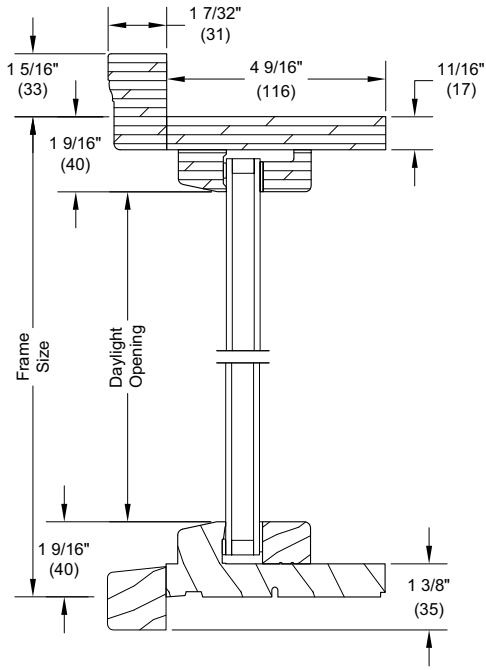
4 9/16" Side Jamb



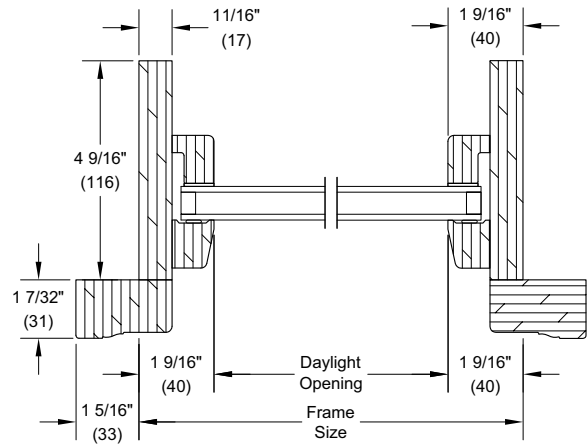
Ultimate Direct Glaze Transom Jamb

Inswing/Outswing Section Details: Round Top Direct Glaze

Scale: 3" = 1' 0"



Head Jamb and Sill



Jambs - RT1 and RT29