

Handle Kits	
1	Exterior and interior handle assembly
2	#6- 32 X 1 1/2" machine screws
2	Handle spindles
1	Strike with screws #8 X 3/4"
1	Strike spacer block
1	Allen wrench

NOTE: This handle may be used on both Standard and Ultimate Swinging Screen.

Handle Installation

1. Assemble the exterior handle, handle shaft, and interior handle. Make sure the handle shaft properly engages both the inside and outside handle mechanisms. See figure 1.

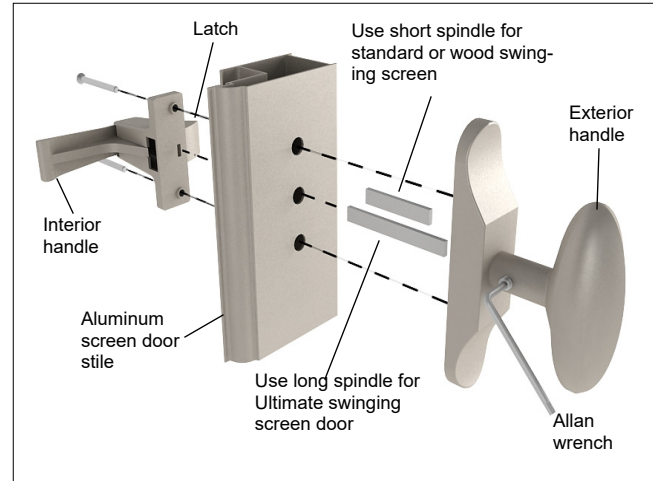


Figure 1

2. Tighten the handle assembly with the provided handle screws.

Strike Installation

1. Close the screen door and center the strike on the inside handle latch and mark the position for the screw holes. See figure 2.

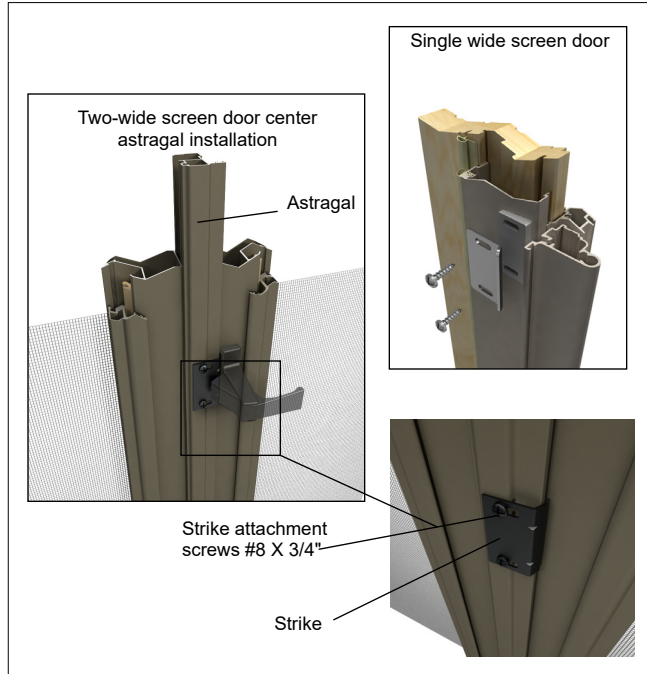


Figure 2

2. Drill 1/8"(3) pilot holes in the door jamb or passive screen astragal and position strike in place. Insert strike screws and snug up just over finger tight.
3. Close the screen panel and tap on the strike to adjust as necessary to assure tight latching of the active screen door panel.
4. Complete installation by tightening the strike screws.