

# Elevate Outswing / Sliding French Door Impact Mullion Kit Instructions



## BEFORE YOU BEGIN

### IMPORTANT

Read these instructions thoroughly before beginning to assemble any multiple Marvin units. Failure to assemble as recommended will void any warranty, written or implied. Refer to specific product installation instructions for proper installation methods.

*NOTE: When specifying or considering the structural load requirements for windows and doors, it is important to consider the method of fastening the unit(s) together in addition to the method of fastening multiple assemblies into an opening. The methods contained herein may not be appropriate for all performance requirements. Selection of the appropriate fastening method(s) is the sole responsibility of the installer, contractor, structural engineer, architect, building owner and/or installer.*

*NOTE: ELOFD multiple assemblies can be ordered factory mulled up to 3 units wide by 1 unit high, or 2 units wide by 2 units high as long as the following limitations are not exceeded:*

### ELOFD:

**Maximum RO Width: 109 15/16" (2792) not to exceed 96" (2438) in height.**

**Maximum RO Height: 100 1/2" (2553) not to exceed 73 5/8" (1870) in width.**

*NOTE: ISFD multiple assemblies are offered in a 2 high configuration only, thus ISFD multiple assemblies can be ordered factory mulled up to 1 unit wide by 2 units high as long as the following limitations are not exceeded:*

### ELSFD:

**Maximum RO Height: 100 1/2" (2553) not to exceed 72" (1829) in width.**

Assemblies exceeding these limitations must be field mulled and must be assembled using a structural mullion kit designed specifically for Marvin multiple assemblies. Contact your Marvin dealer for additional information.



### WARNING

Practice safety! Wear safety glasses or goggles and appropriate hearing protection when assembling multiple Marvin window and door products.

## Table of Contents

Mulling Procedure - Vertical .....	2
Transom to Door Mulling .....	3
IOFD 2 Wide x 2 High Mulling .....	5

## Impact Vertical Mullion Kit

Parts Shipped With Vertical Mullion Kit Outswing / Sliding French Door		
Illustrations (not to scale)	Description and Color	Part/Profile Number
	Interior mull trim*	W1241
	Foam "L" gasket*	10500388
	Mull sill bracket*	11862522
	Mull sealant foam tape - one sided adhesive  120" (3048)	10500050
	Aluminum mulling pin*	A330
	Nailing fin connector*	10500213

\* Length/color/number will vary depending on particular mull kit ordered.

*NOTE: Mullion kits will also include mullion clips or mullion brackets with screws depending on the type of installation. See Supplemental Instructions for IZ3 Rated Products (part number 19971049) for more information.*

### You Will Need to Supply

Safety glasses	Hearing protection
Phillips screwdriver	Scrap pieces of wood
Power drill	Clamps
3/16" drill bit	Hacksaw
1/4" drill bit	7/64" drill bit
Silicone sealant w/gun	3/8" drill bit
1/2" crown x 1" leg 16 gauge staples w/gun	

## Mulling Procedure - Vertical

1. Carefully lay units on a flat surface in the desired mulling configuration (interior facing up). Remove nailing fin from side jambs that will be mulled together. Apply L-gasket to the bottom corner of the exterior jamb as shown in figure 1. Apply adhesive mull tape the entire length of the jamb ensuring it is located 1/4" (6) from the exterior edge of Ultrex frame. See figure 2.

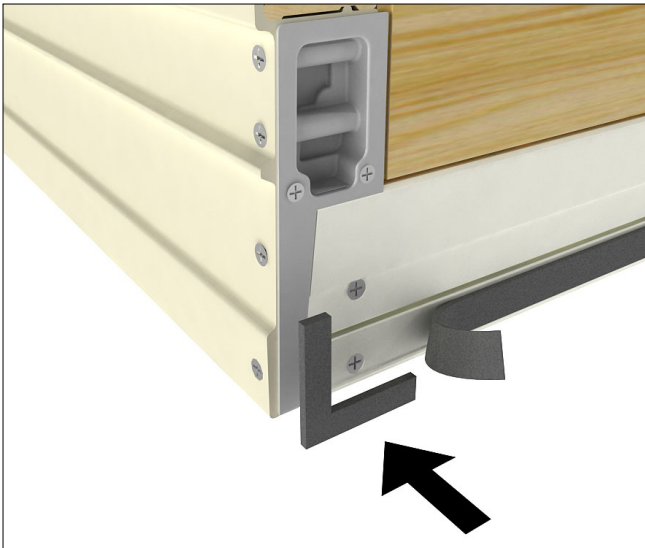


Figure 1



Figure 2

2. Check to be sure that frames at both sides of mullion are flush and nailing fin/drip cap kerfs are aligned. Lightly clamp units together on interior (use wood scraps to protect interior) near each end to hold units in place.
3. Drill outer edges of nailing fin/drip cap kerfs at head jamb mullion with a 3/16" drill bit as shown in figure 3. Clean fillings from the drilled area to help facilitate installation of mull pin.



Figure 3

4. Drive mull pin in the full length of the jamb (use hammer if necessary) ensuring that the mull pin is recessed 1/4" (6) to allow for sealant application later. See figure 4.



Figure 4

5. Re-check to make sure that units are flush and square with each other. Apply a third clamp to interior if necessary and fasten units together at interior jamb liners with 16 gauge staples spaced every 5" (127). See figure 5.

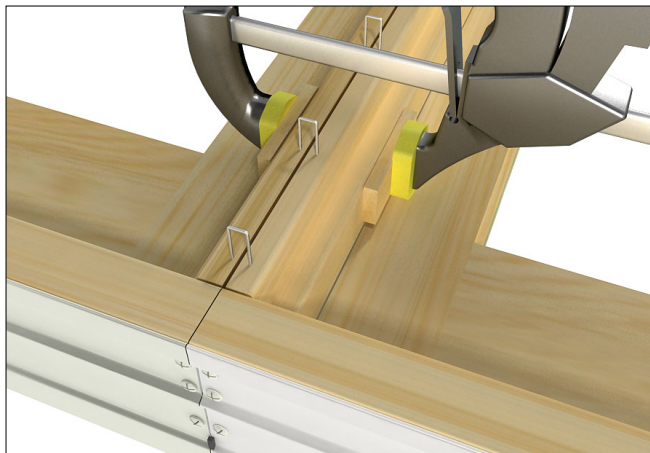


Figure 5

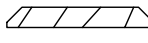

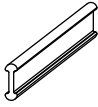
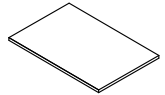
6. Remove the #8 x 2 1/8" Phillips pan head screws from the interior side of sill on each unit. Align holes of sill mull bracket with frame and reattach with previously removed screws. See figure 6.



Figure 6

7. Follow installation instructions for installing unit into rough or masonry opening. Interior mull trim should be applied only after unit is completely installed and interior trim is applied.
8. After installation, measure and mark the sill liner hole location; the location is dependent upon frame size, see figure 11. Center the 1/4" drill bit in the sill liner and drill through the sill. Replace the drill bit with a 3/8" bit and counter bore hole 1/2" deep. Fasten 3/16" x 2 3/4" masonry screws through pre-drilled holes in sill liner. Cover with wood plug provided. Repeat instructions on remaining mull frames.

## Transom to Door Mulling

Parts Shipped With Transom Mullion Kit Outswing / Sliding French Door		
Illustrations (not to scale)	Description and Color	Part/Profile Number
	Interior mull trim*	W1241
	Mull sealant foam tape - one sided adhesive  120" (3048)	11406224
	Aluminum mulling pin*	A330
	Nailing fin connector*	10500213

\* Length/color/number will vary depending on particular mull kit ordered.

*NOTE: Mullion kits will also include mullion clips or mullion brackets with screws depending on the type of installation. See Supplemental Instructions for IZ3 Rated Products (part number 19971049) for more information.*

You Will Need to Supply	
Safety glasses	Hearing protection
Phillips screwdriver	Scrap pieces of wood
Power drill	Clamps
Silicone sealant w/gun	3/16" drill bit
1/2" crown x 1" leg 16 gauge staples w/gun	



1. If applicable, remove nailing fin/drip cap from head jamb of door and sill of transom. Apply one sided mull sealant foam tape to the entire length of door head jamb ensuring it is located 1/4" (6) from the exterior edge of the Ultrex frame. See figure 7



Figure 7

2. Position rectangular unit on head jamb of door. Check to be sure that both ends of the transom sill are flush with door head jamb. Apply clamps to interior side at each end of head jamb and sill to prevent movement. Use scrap pieces of wood to prevent marring of wood surface. Make sure that nailing fin/drip cap kerfs line up on both ends. See figure 8. Drill the outer edges of mull kerf located at one side at head jamb of door and sill of transom with a 3/16" drill bit. This will help facilitate installation of mulling pin. Be sure to clean filings from the drilled area prior to mull pin installation.

3. Drive mull pin in the full length of sill/head jamb (use hammer if necessary) ensuring it is recessed 1/4" (6) to allow for sealant application later. See figure 8.

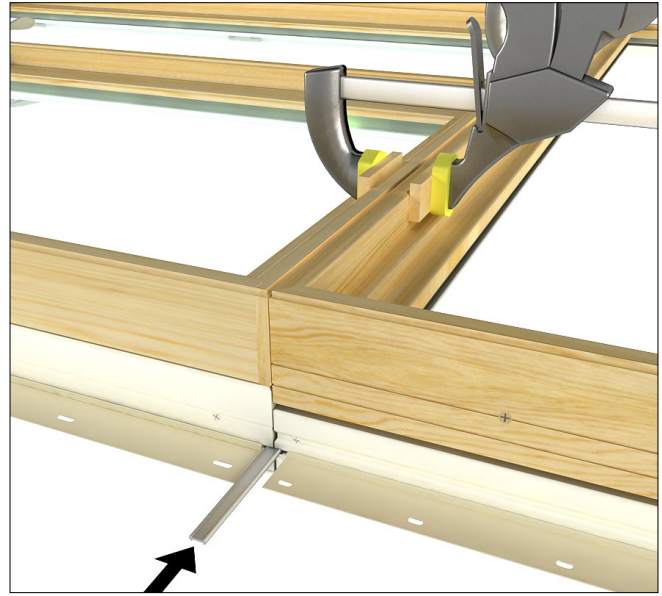


Figure 8

4. Apply third clamp if necessary and fasten transom sill and door head jamb with 16 gauge staples spaced every 5" (127). See figure 9.

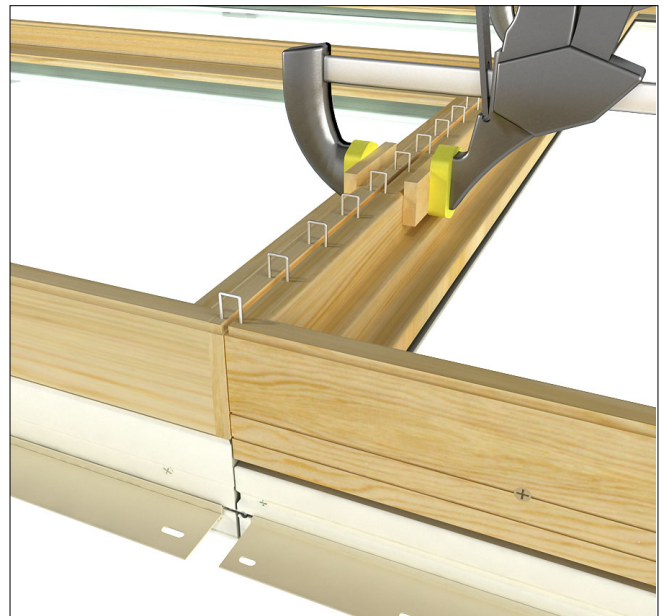


Figure 9

5. Apply silicone sealant at both mullion joints from the frame exterior edge to the drip cap/nauling fin kerf and across the kerf over the mulling pin as shown in figure 10. Apply nauling fin connector by removing the paper backing from the connector and pressing into place. See figure 10.

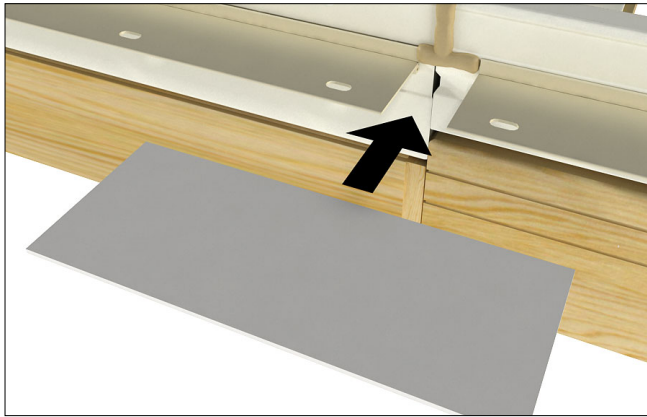


Figure 10

6. Follow installation instructions for installing unit into rough or masonry opening. Interior mull trim should be applied only after unit is completely installed and interior trim is applied.

7. After installation, measure and mark the sill liner hole location; the location is dependent upon frame size, see figure 11. Center the 1/4" drill bit in the sill liner and drill through the sill. Replace the drill bit with a 3/8" bit and counter bore hole 1/2" deep. Fasten 3/16" x 2 3/4" masonry screws through pre-drilled holes in sill liner. Cover with wood plug provided. Repeat instructions on remaining mull frames.

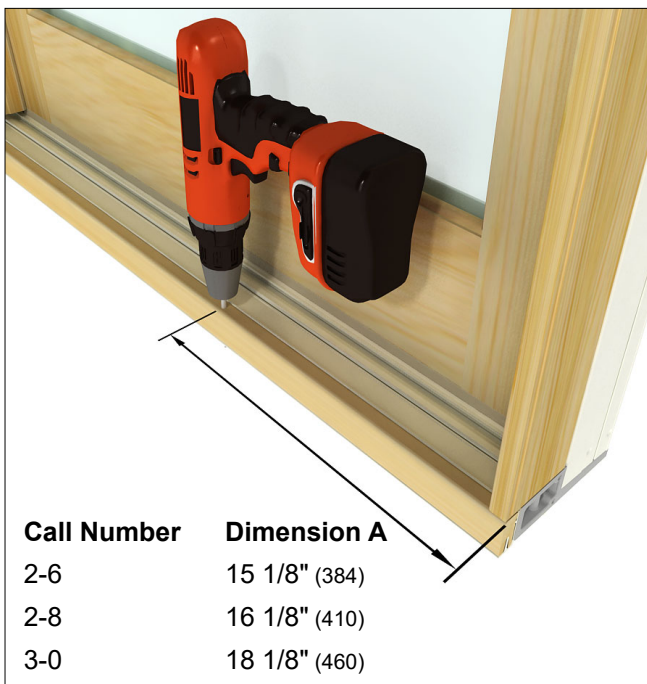
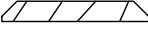
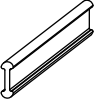

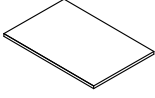



Figure 11

## ELOFD 2 Wide x 2 High Mulling

### Parts Shipped With Mullion Kit Transom

Illustrations (not to scale)	Description and Color	Part/Profile Number
	Interior mull trim*	W1241
	Aluminum mulling pin*	A330
	Roll mull sealant foam tape - one side adhesive 120" (3048)	11406224
	Nailing fin connector*	10500213
	#8-18 x 1 3/4" screws	11881123

\* Length/color/number will vary depending on particular mull kit ordered.

*NOTE: Mullion kits will also include mullion clips or mullion brackets with screws depending on the type of installation. See Supplemental Instructions for IZ3 Rated Products (part number 19971049) for more information.*

### You Will Need to Supply

Safety glasses	Hearing protection
Phillips screwdriver	Scrap pieces of wood
Power drill	Clamps
7/64" drill bit	3/16" drill bit
Silicone sealant w/gun	
1/2" crown x 1/2" leg 16 gauge staples w/gun	

*NOTE: Follow Vertical Mulling procedures steps 1 through 6 for the lower units (starting on page 2) before mulling the upper units in a 2 Wide X 2 High assembly.*

1. If applicable, remove nailing fin/drip cap from head jamb of door and sill of transom. Apply one sided mull sealant foam tape to the entire length of door head jamb ensuring it is located 1/4" (6) from the exterior edge of the Ultrex frame. See figure 12.



Figure 12

2. Position rectangular transom on the head jamb of door. Check to be sure that both ends of the transom sill are flush with door head jamb. Apply clamps to interior side at each end of head jamb and sill to prevent movement. Use scrap pieces of wood to prevent marring of wood surface. Make sure that nailing fin/drip cap kerfs line up on both ends. See figure 13. Drill the outer edges of mull kerf located at one side at head jamb of door and sill of transom with a 3/16" drill bit. This will help facilitate application of mulling pin. Be sure to clean fillings from the drilled area prior to mull pin installation.

3. Drive mull pin in the full length of sill/head jamb (use hammer if necessary) ensuring it is recessed 1/4" (6) to allow for sealant application later. See figure 13.

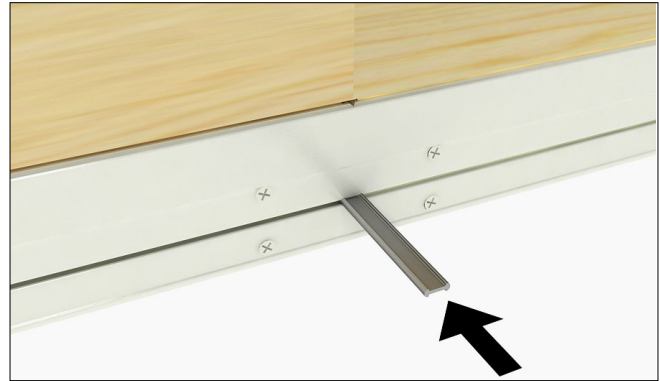


Figure 13

4. Apply third clamp if necessary and fasten transom sill and door head jamb with 1/2" x 1/2" 16 gauge staples spaced every 5" (127). See figure 14.

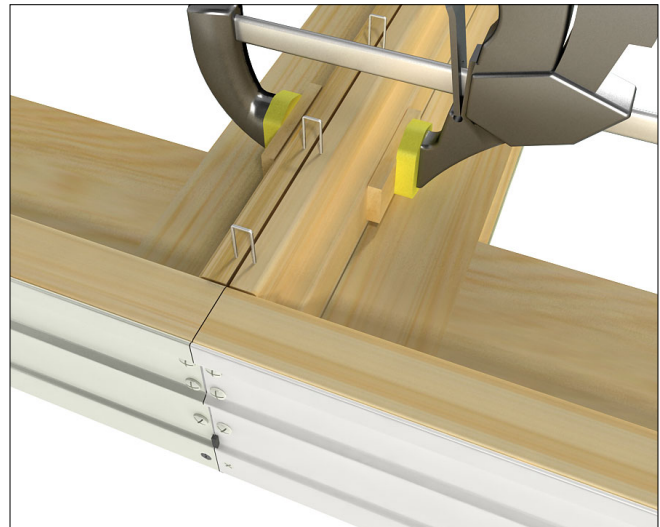


Figure 14



5. Remove the head jamb stop from the bottom mullied frame(s). Measure and mark the first hole location, 1 3/4" (4) from edge of interior wood and 3" (8) from edge of frame. Remaining hole spacing is dependent upon frame size. See figure 15. Mark the remaining holes 1 3/4" (4) from edge of wood. Pre-drill holes through head jamb with 7/64" bit. Fasten #8 x 1 3/4" screws through pre-drilled holes into the IDG frame. Reattach head jamb stop into the frame. See figure 15.

**NOTE:** Pre-drill hole through first layer of head jamb wood only, do not run drill bit through IDG frame.

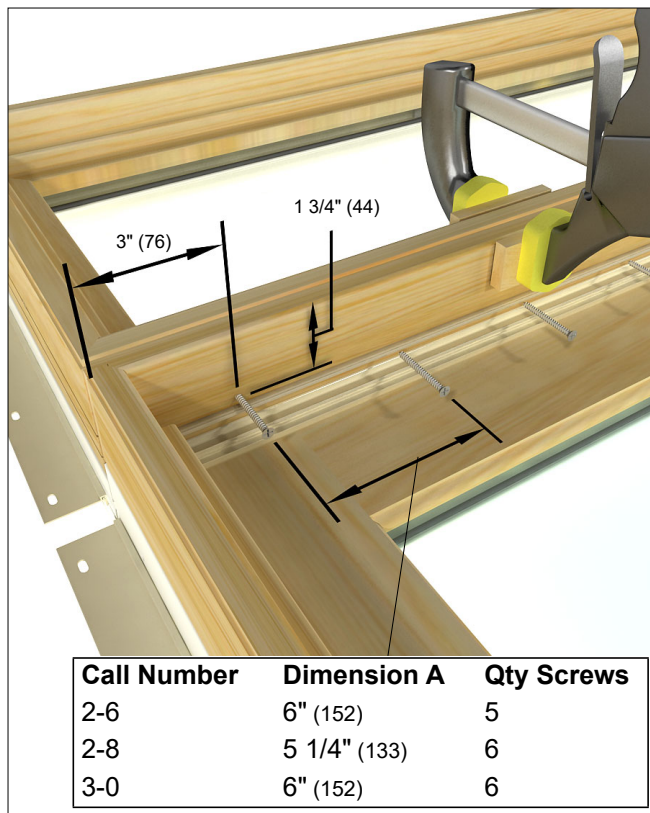


Figure 15

6. Apply silicone sealant at the head jamb mullion joint from the frame exterior edge to the drip cap/ nailing fin kerf and across the kerf over the mulling pin as shown in figure 16. Apply nailing fin connector by removing the paper backing from the connector and pressing into place. See figure 16.

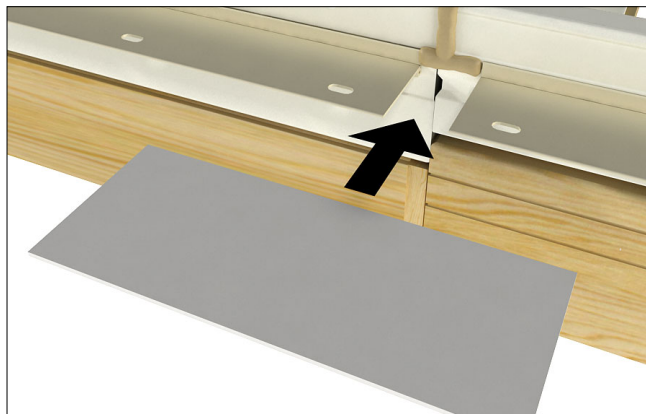


Figure 16

7. Follow installation instructions for installing unit into rough or masonry opening. Interior mull trim should be applied only after unit is completely installed and interior trim is applied.

8. After installation, measure and mark the sill liner hole location; the location is dependent upon frame size, see figure 11. Center the 1/4" drill bit in the sill liner and drill through the sill. Replace the drill bit with a 3/8" bit and counter bore hole 1/2" deep. Fasten 3/16" x 2 3/4" masonry screws through pre-drilled holes in sill liner. Cover with wood plug provided. Repeat instructions on remaining mull frames.