

Ultimate Multi-Slide Corner Door

Supplemental Assembly Instructions

ABSTRACT: Use the instructions in conjunction with the regular Ultimate Multi-Slide Door instructions (PN 19915468). This instruction will show the assembly for the corner configuration as well as how to install the frame and permanently fasten it into the opening. The majority of panel installation, rough opening prep, and flashing details can be found in the regular instructions.



Table of Contents

- Before You Begin 2
- Rough Opening Preparation 2
- Frame Assembly and Installation 3
- Fastening the Frame in the Opening 6
- Panel Installation..... 8

Before You Begin

WARNING!

Drilling, sawing, sanding or machining wood products can expose you to wood dust, a substance known to the State of California to cause cancer. Avoid inhaling wood dust or use a dust mask or other safeguards for personal protection. For more information go to www.P65Warnings.ca.gov/wood.

WARNING!

This product can expose you to chemicals including titanium oxide, which is known to the state of California to cause cancer. For more information, go to www.P65Warnings.ca.gov.

WARNING!

This product can expose you to chemicals including methanol, which is known to the state of California to cause birth defects or other reproductive harm. For more information, go to www.P65Warnings.ca.gov.

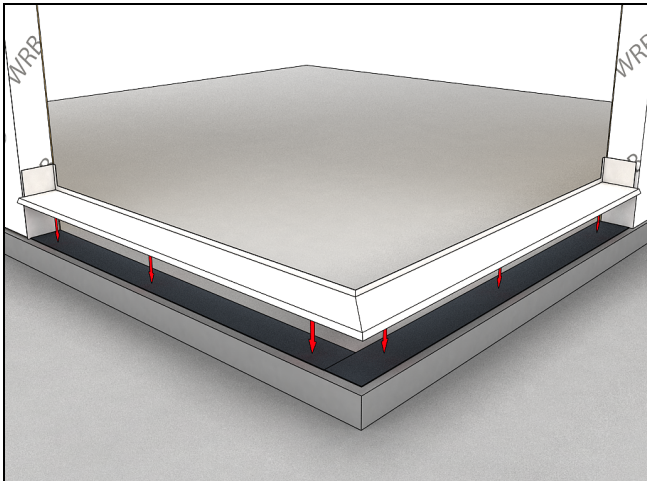
WARNING!

Always practice safety! Wear the appropriate eye, ear, and hand protection, especially when working with power tools.

Rough Opening Preparation

Use the [19915468 CMMSD Installation Instructions](#) sent with your door to prepare the opening. The following steps show variations to account for the corner opening.

1. Create a continuous pan. Follow material recommendations in the installation instructions for panning types. The ends of the panning must go up 4" on the sides. The rear leg must be as high as the sill liner.



Frame Assembly and Installation

1. Lay out the frame members on a flat surface and insert frame cladding corner keys into the head jamb. See [Figure 1](#)



Figure 1

2. Align side jamb to head jamb, using the frame cladding corner key as a reference. Slide the frame members together until the miter is aligned. See [Figure 2](#)

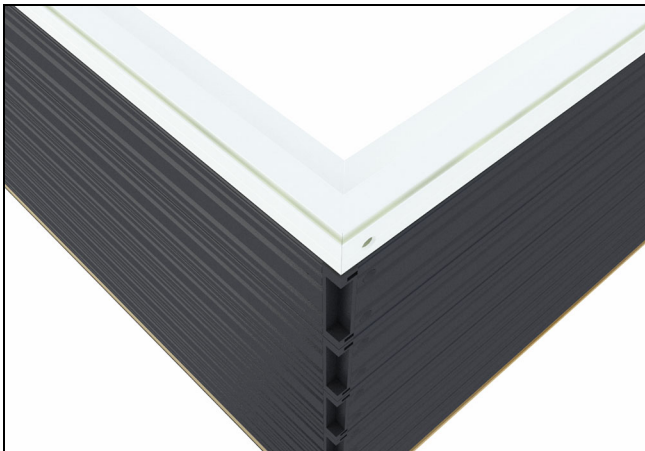


Figure 2

3. Fasten the head jamb to the side jamb using #8 x 1 1/4" pan head screws. See [Figure 3](#).

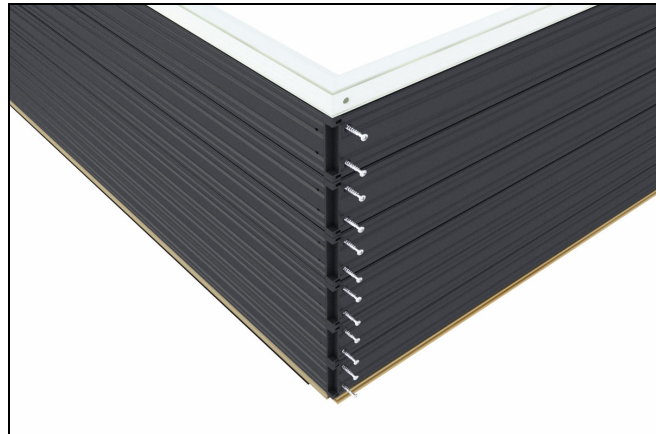


Figure 3

4. Do not install the screw into the frame cladding miter at this time. See [Figure 4](#)

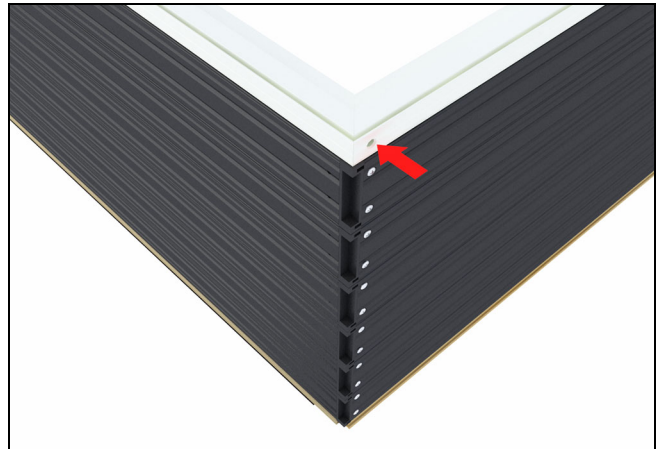


Figure 4

5. Align the side jamb to sill by sliding the corner keys into the sill. Fasten the side jamb and sill through the corner keys using two #8 x 1 3/4" pan head screws per key. See [Figure 5](#).

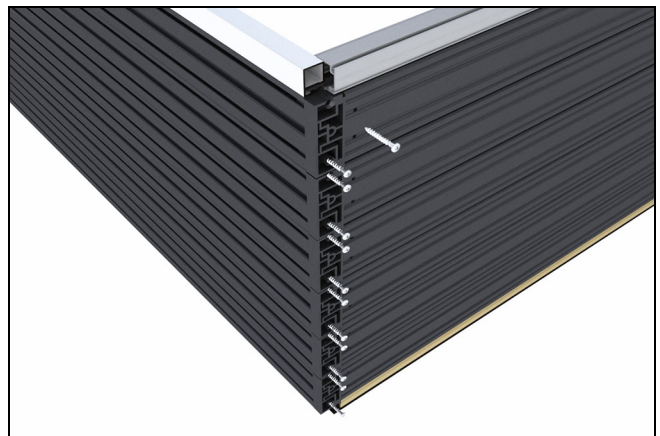


Figure 5

6. Align the story pole at the corner. Fasten the pole labeled top to head jamb and opposite end to the sill using four #7 x 2" flat head screws. The story pole is pre-drilled. See Figure 6.

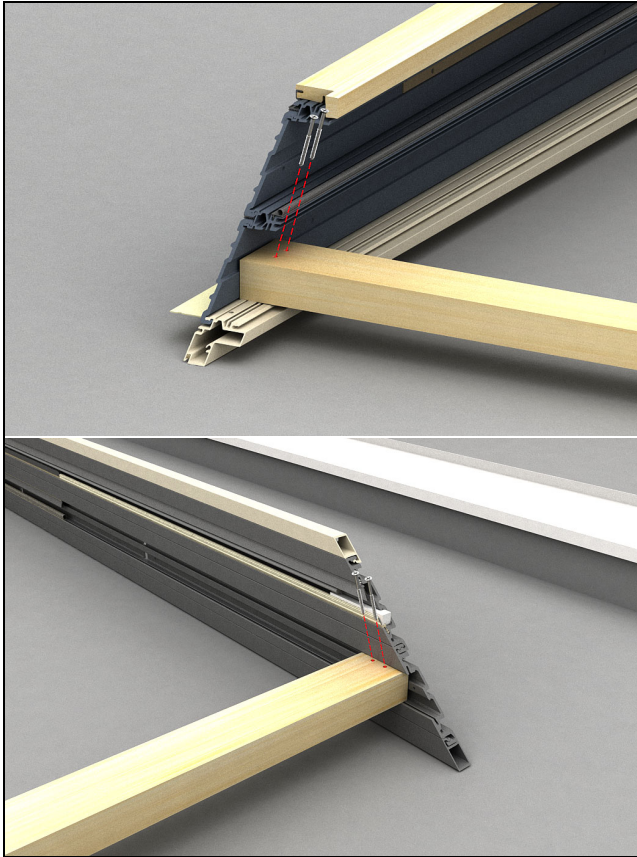


Figure 6

7. Inject both frame cladding corner key holes with sealant until squeeze out occurs. Fasten using a #8 x 1 1/2" flat head screw into each corner key. See Figure 7.

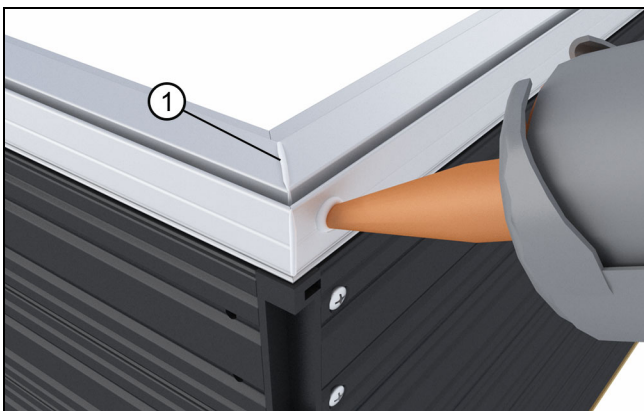


Figure 7

1	Squeeze out
---	-------------

8. Stand one side of the frame upright in front of the rough opening. See Figure 8.

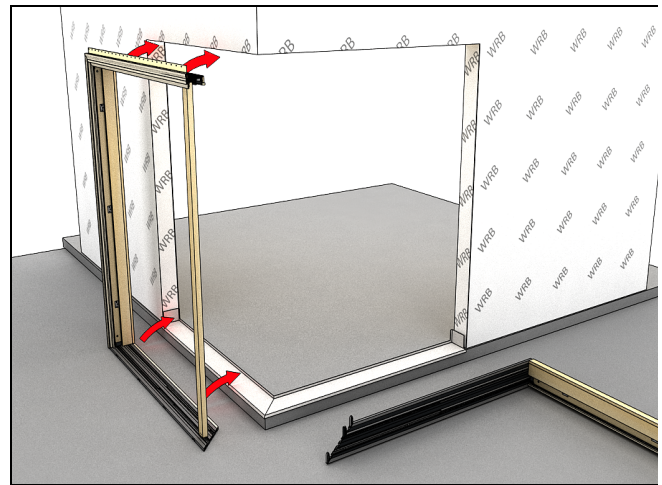


Figure 8

9. Place the frame in the opening and loosely install a few fasteners in the head jamb and side jamb. See Figure 9.

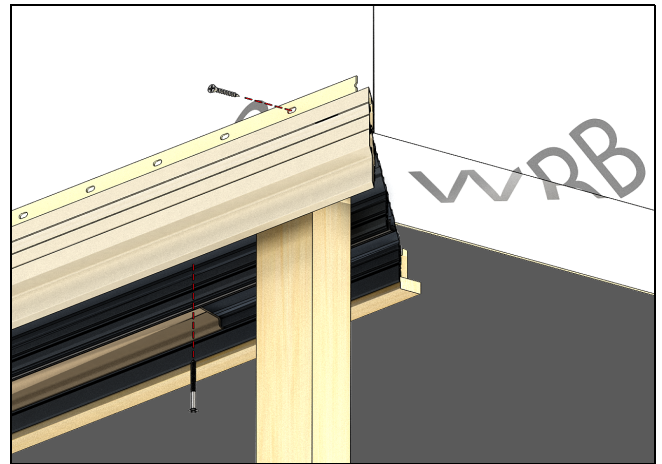


Figure 9

10. Remove the story pole and install it on the other side.

11. Repeat step 1 on page 3 through step 7 on page 4.

12. Insert the sill liner corner keys into the sill liner on the mitered ends. See Figure 10.

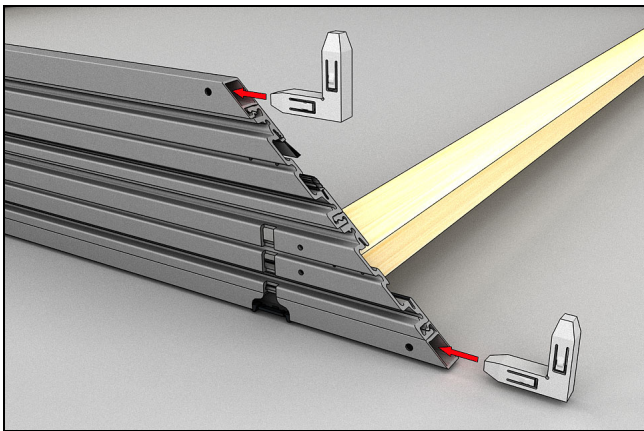


Figure 10

13. Insert the head jamb frame connector keys into the frame connectors on the mitered ends. Insert the frame cladding corner key into cladding. Fasten using #8 x 3/8" pan head screw into the corner key. See Figure 11.

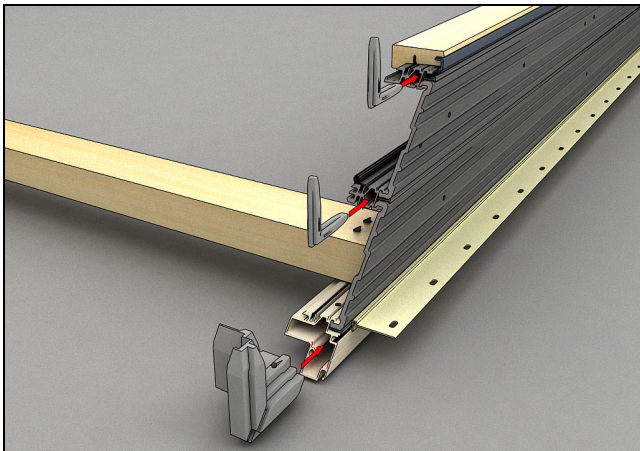


Figure 11

14. Stand the frame upright in front of the rough opening. See Figure 12.

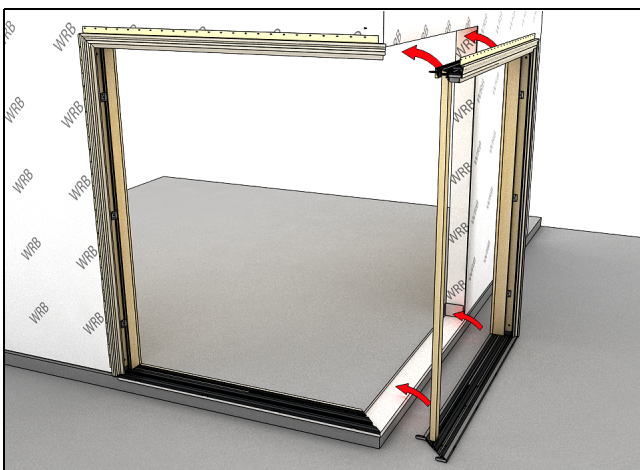


Figure 12

15. Align the corner keys at the head jamb and sill and place the frame into the opening. See Figure 13.

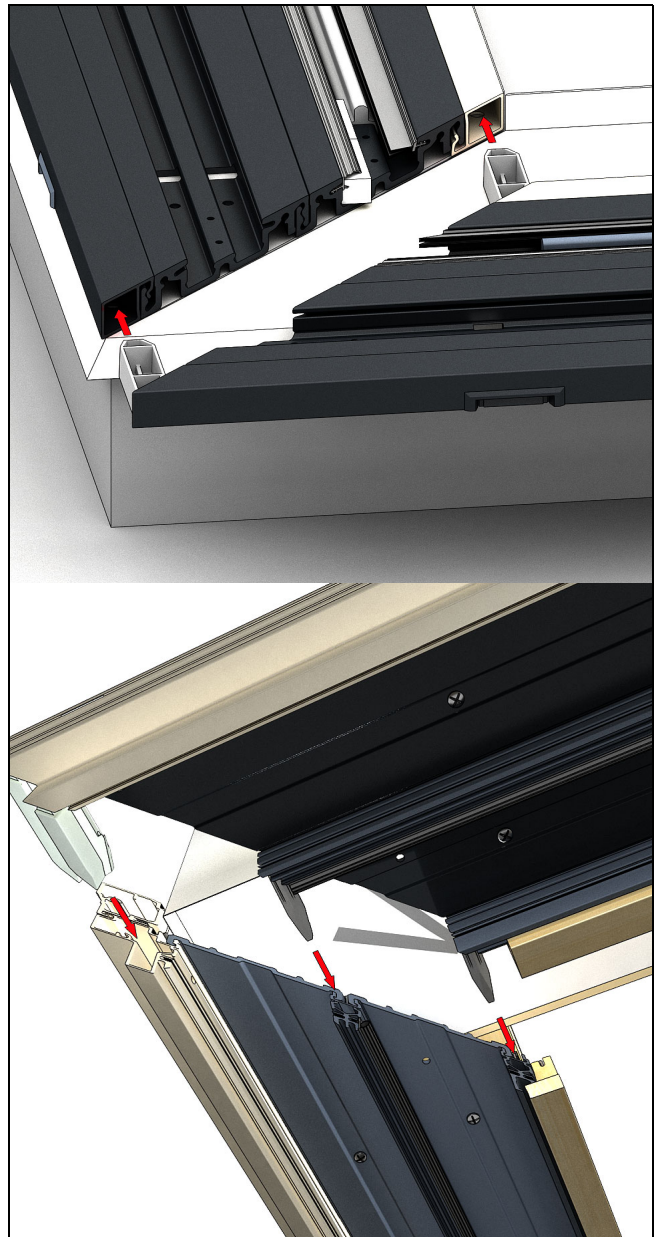


Figure 13

16. Place the sill "L" bracket into each mitered sill track. Fasten using a #8 x 3/8" pan head screw into each hole. See Figure 14.



Tip

Start with loosely fastening the two outside screws first before fully tightening all the screws.

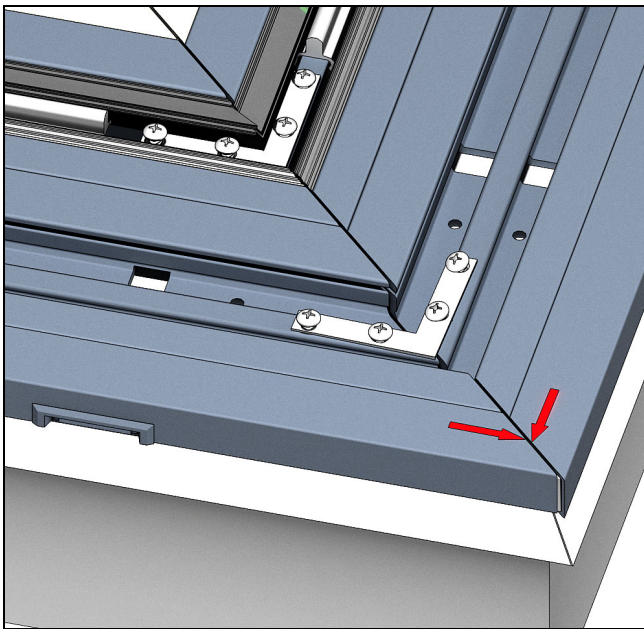


Figure 14

17. Fasten the frame cladding corner key using a #8 x 3/8" pan head screw into the remaining holes. See Figure 15.

 **Tip**

Start both screws before fully tightening.

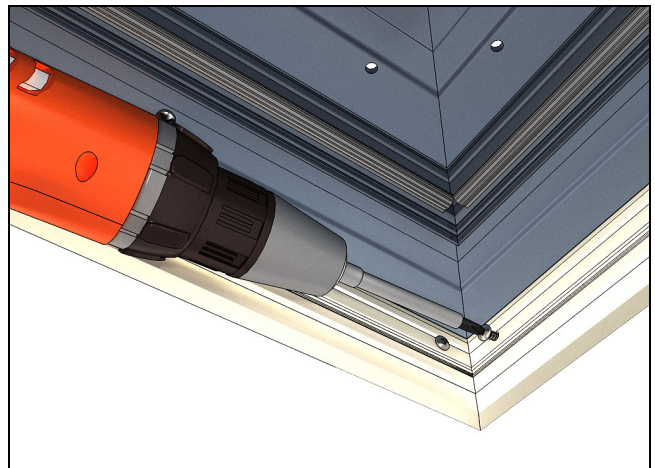


Figure 15

18. If necessary cut additional story poles for any side requiring additional support at the head jamb.

 **Tip**

Use frame crate material for additional story poles.

Fastening the Frame in the Opening

1. Remove the temporary screws holding the first half of the frame into the rough opening. See Figure 16.

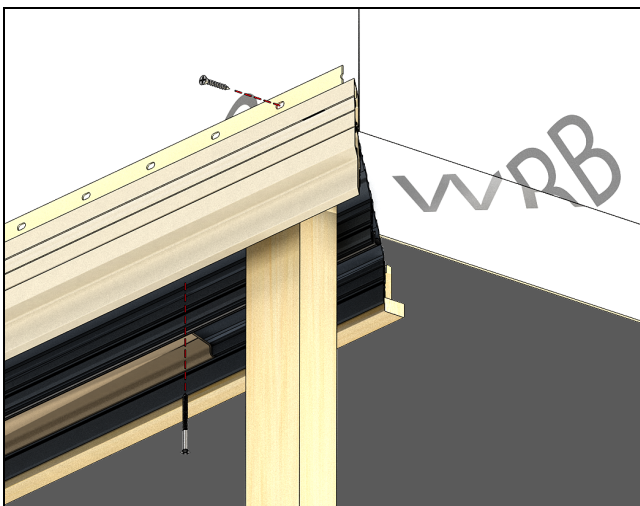


Figure 16

2. Make any adjustments to the corner miter to ensure a tight joint.

3. Begin to install anchor screws to secure the sill. After installing a few anchor screws, place a level on the sill and begin the leveling process, making sure that the sill is level. See Figure 17.

NOTE: If the sill has to be shimmed, the distance between the shims should be 12" (305) on center maximum.

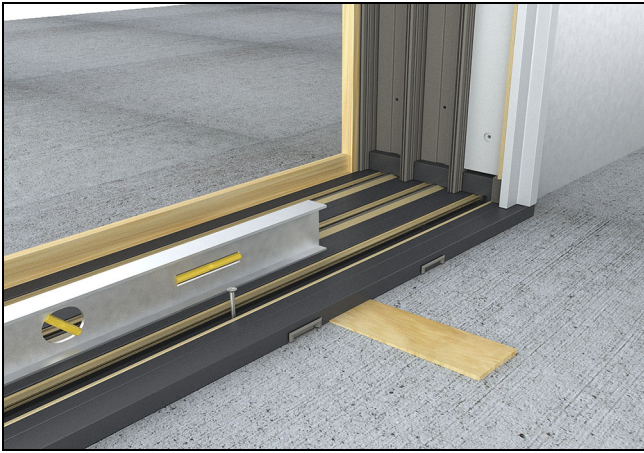


Figure 17

4. Plumb and true the side jambs, adding shims and #8 x 3" black installation screws (through provided installation holes) at the top and bottom corners. Ensure the frame is square. Add remaining shims and #8 x 3" black installation screws to side jamb. Follow the screw pattern as shown on page 4. Follow the same procedure for the other side jamb. [See Figure 18.](#)



Figure 18

5. If necessary, shim head jamb so that the story pole stays in light contact with the sill and head jamb frame. Fasten with #8 x 3" black installation screws. [See Figure 19.](#)

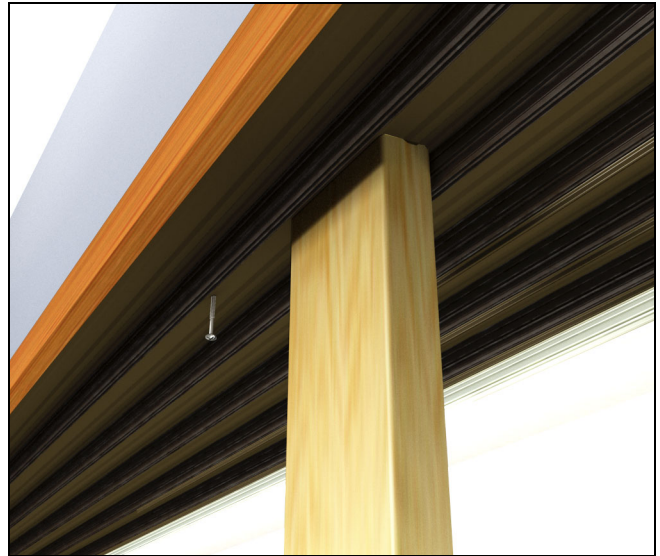


Figure 19

6. Install remaining #8 x 1 1/2" (minimum) installation screws into sill. These screws are not provided.

7. Using the pre-drilled holes on the inactive side, install the Flush Bolt Strike into the header with the #8x 3" installation screws. Square up the strike with the frame. Pre-drill in the center of the second slot and fasten into the header with #8x 3" installation screws. [See Figure 20.](#)

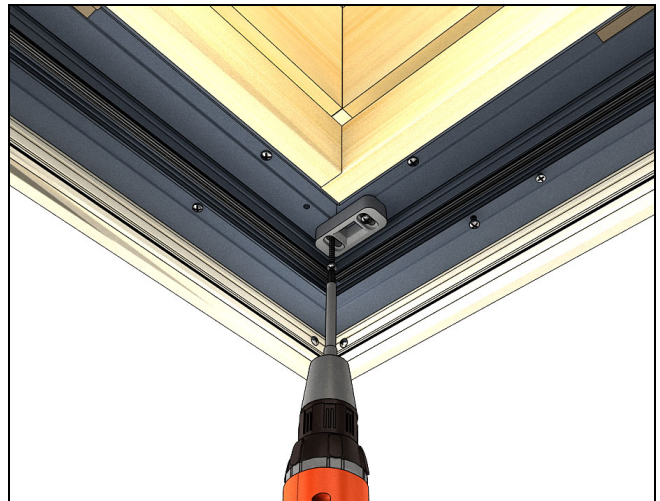


Figure 20

Panel Installation

1. Use the [19915468 CMMSD Installation Instructions](#) sent with your door to install and adjust the panels.



Figure 21

2. Clamp the corner cover to the corner panel. Align the pre-drilled hole at the bottom of the cover and stile. Fasten the corner cover to the stile using #6 x 1 1/2" flat head screws. Move the clamp next to each screw to ensure a tight connection of the corner cover. See [Figure 22](#).

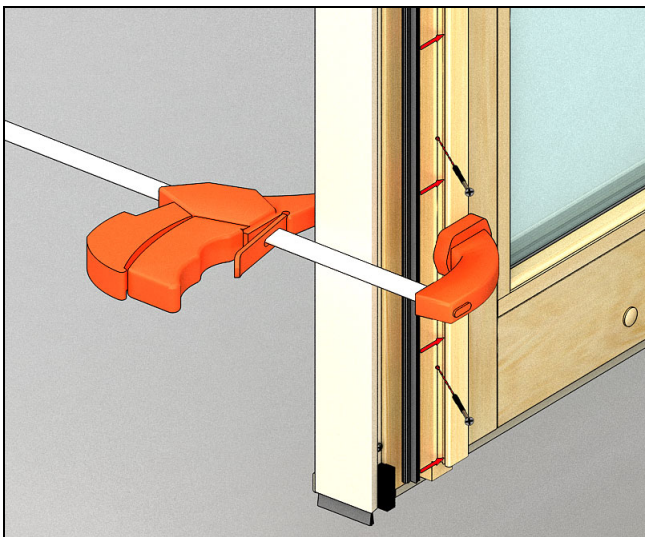


Figure 22

3. Install the weather strip into the corner cover kerf. See [Figure 23](#).

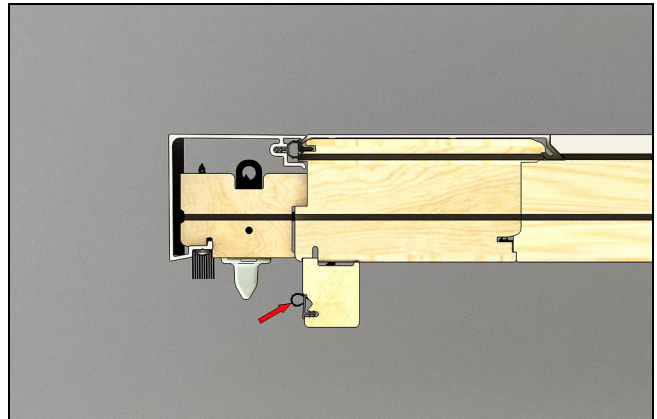


Figure 23

4. Attach the panel alignment bolts to the stile extension with the #8x 1 1/2" flat head color matched screws. See [Figure 24](#).

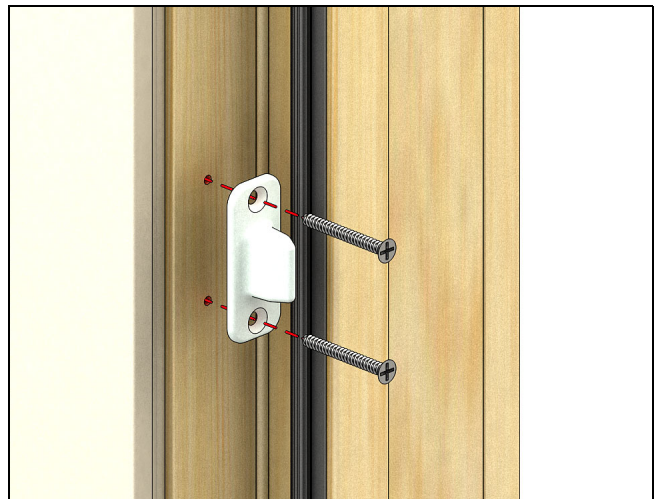


Figure 24

5. Install two foam blocks on the inactive side miter underneath the sill bulb weather strip. See [Figure 25](#).

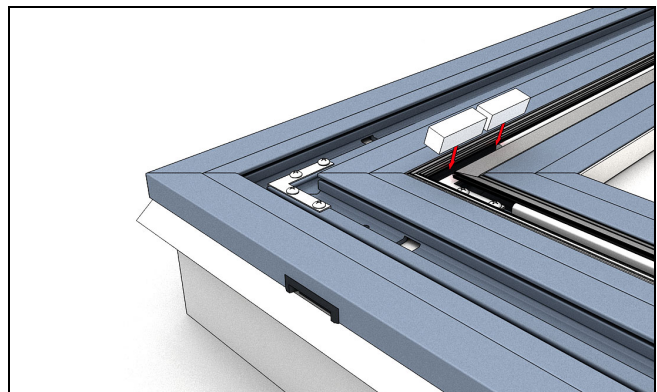


Figure 25

6. Install the sill corner key cover. [See Figure 26.](#)



Tip

Apply silicone or sealant inside the cover before applying it.

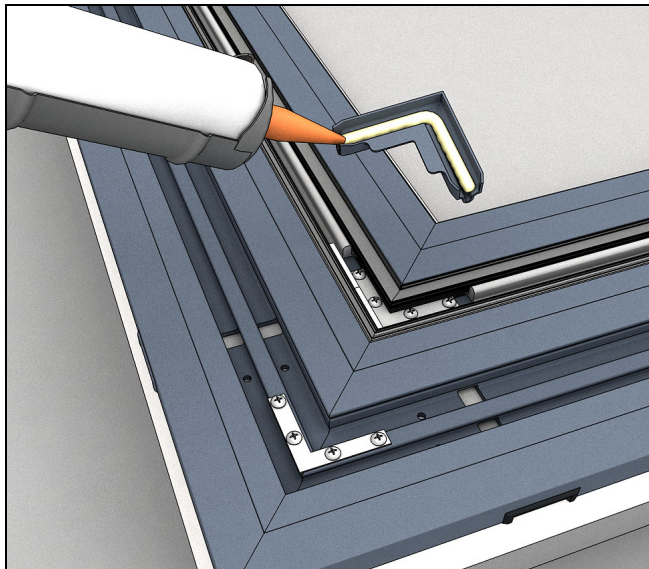


Figure 26

7. Use the [19915468 CMMSD Installation Instructions](#) sent with your door for final assembly.