

Coastline French Door Narrow Stile

Unit Features.....	1
Maximum Guidelines.....	3
Configurations.....	4
Inswing Section Details.....	5
Outswing Section Details.....	7
Mulling Section Details.....	9
Sidelite Section Details.....	10

Unit Features

Product Name: Coastline French Door Narrow Stile

- Inswing French Door Narrow Stile
- Outswing French Door Narrow Stile (Sidelite and Transom available)
- French Door Narrow Stile Sidelite (Transom available)

Abbreviation: COOFD NS IZ4, COIFD NS IZ4, COFD NS SL IZ4

Frame:

- .094" typical wall thickness
- 4.688" frame depth
- Installation screw holes are pre-punched for easy installation
- Optional Color Finishes:
 - Stone White
 - Bronze
 - Ebony
 - Walnut
 - Hazelnut
 - Red Cinnamon
 - English Oak
 - White Kynar
 - Bronze Kynar
 - Black Kynar
 - Custom Colors available

Panels:

- Solid bottom panel available
- Operator
 - Top Rail: 2"
 - Bottom Rail: 4" or 8"
 - Stile: 2"
- Sidelite
 - Top Rail: 2"
 - Bottom Rail: 4" or 8"
 - Stile: 2"
- Ogee Glass Stops available

Swing/Style Options:

- Hinge Right & Hinge Left Inswing
- Hinge Right & Hinge Left Outswing
- Sidelite
- Transom

Hardware:

- 3 point lock on all active doors
- Handle Finish Options:
 - Satin Nickel
 - White Acacia
 - Black Acacia
- Hinge Finish Options:
 - Satin Nickel
 - Dark Bronze
 - Polished Brass
 - Black

Sill:

- Standard (only available on Outswing or Sidelite)
- Low-Rise (only available on Outswing or Sidelite)
- Inswing (only available on Inswing)
- ADA (only available on Outswing)

Dividing Lite Options:

- 1 Lite
- SDL and GBG Patterns – Equal Rectangular
 - Profiles (exterior/interior):
 - 1" Ogee / 1" Ogee
 - 1" Flat / 1" Flat
 - 2" Flat / 2" Flat
 - 1" Square / 1" Square
 - 2" Square / 2" Square
 - 3" Square / 3" Square
 - GBG:
 - 13/16" Sightline
- True Divided Lites (Not available with SDL or GBG)
- Prepared for Exterior Iron Grill Available

Weather Strip:

- Fully weather stripped throughout providing a tight seal to prevent water and air infiltration.

Glass and Glazing:

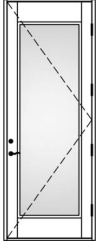
- Glass Options:
 - 7/16" HS Laminated PVB
 - 1" Insulated Laminated PVB
- Glass Tint Options
 - Clear
 - Grey Tint
 - Bronze Tint
 - Green Tint
 - Azurelite Blue Tint
 - LoE 366 Clear
 - LoE 366 Grey
 - LoE 366 Bronze
 - LoE 366/ I-89
- Options:
 - Pat 62 Obscure
 - White Interlayer
 - Rain
 - Glue-Chip
 - Double tint
 - Neat

Maximum Guidelines

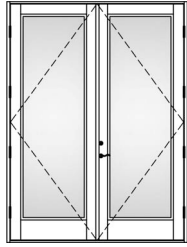
PRODUCT ABBREVIATION	MAX FRAMEAREA (sq ft)	MAX FRAME WIDTH (in)	MAXFRAME HEIGHT (in)	MAX DESIGN PRESSURE (PSF)	OPERATION
COIFD NS IZ4	36	39-3/8	132-5/8	+ 55 / -80	X
	70	76	132-5/8	+ 55 / -80	XX
COOFD NS IZ4	52	52	144	+ 60 / -60	X
	101	101-3/8	144	+ 60 / -60	XX
COFDNS SLIZ4	44	60	132-5/8	+ 80 / -80	FIXED
Max Area Cannot Be Exceeded, Reference Florida Product Approvals For Actual Design Pressure					

Configurations

Single French Door



Double French Door



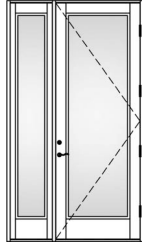
French Door Sidelite



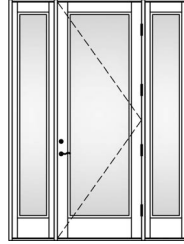
Single French Door Configurations



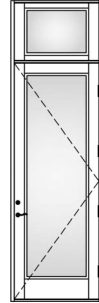
French Door X



French Door X w/Single Sidelite

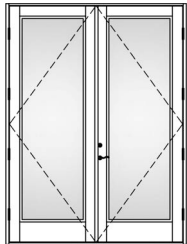


French Door X w/Double Sidelite

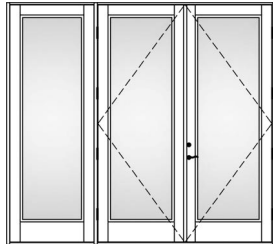


French Door X w/Transom

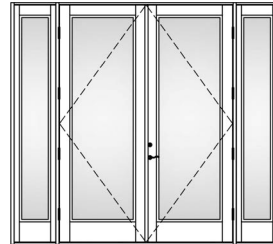
Double French Door Configurations



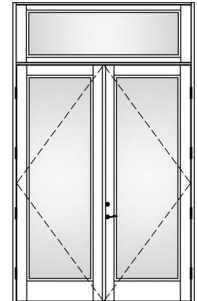
French Door XX



French Door XX w/Single Sidelite



French Door XX w/Double Sidelite



French Door XX w/Transom

French Door Sidelite Configurations



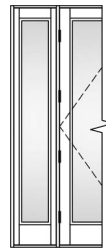
French Door Sidelite



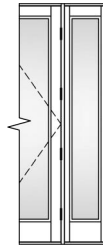
French Door Sidelite w/Transom



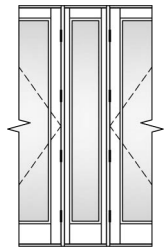
Standalone Sidelite



Left Hand Sidelite



Right Hand Sidelite



Center Sidelite



Hinge Right Outswing



Hinge Left Outswing

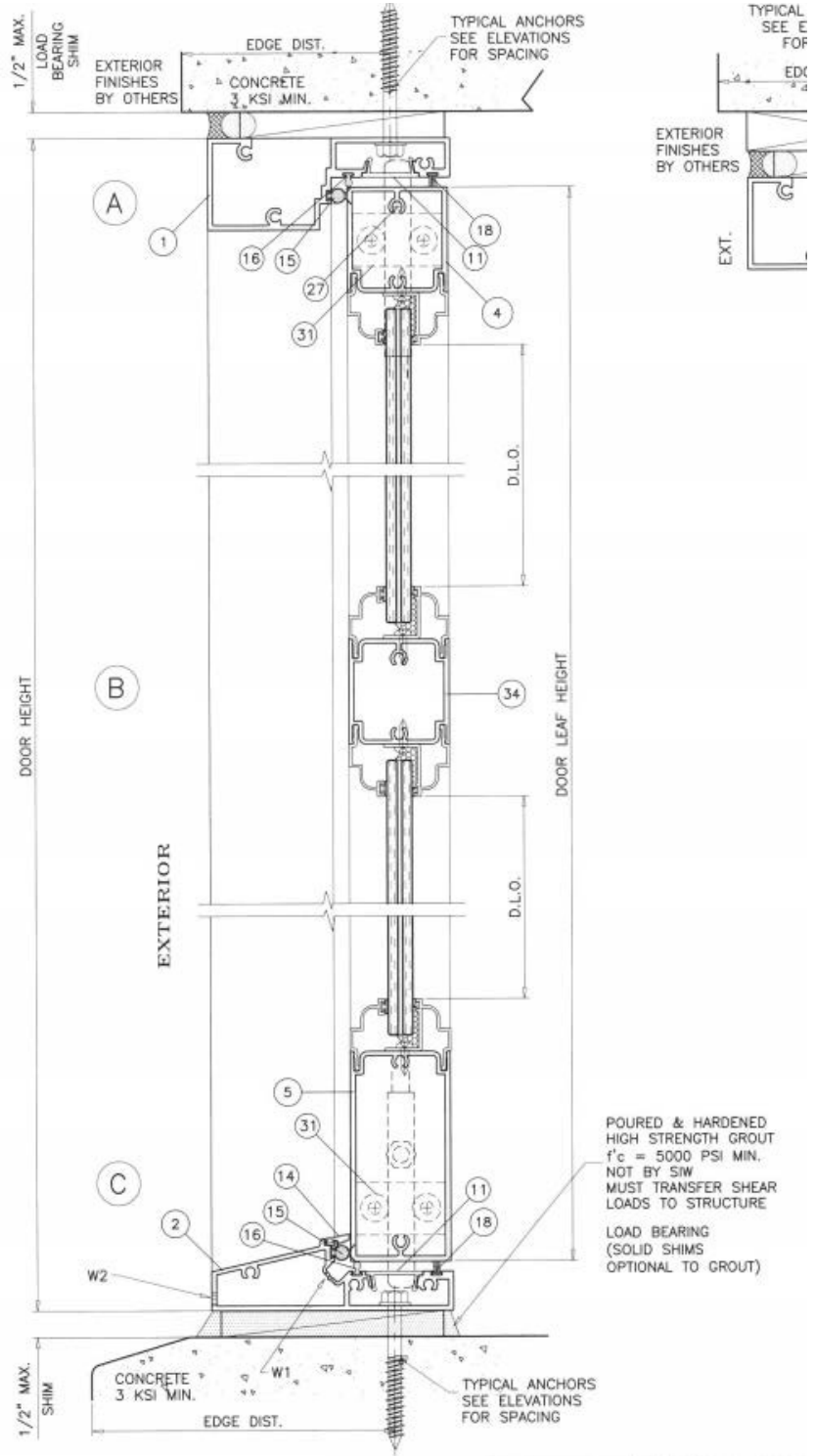


Hinge Right Inswing

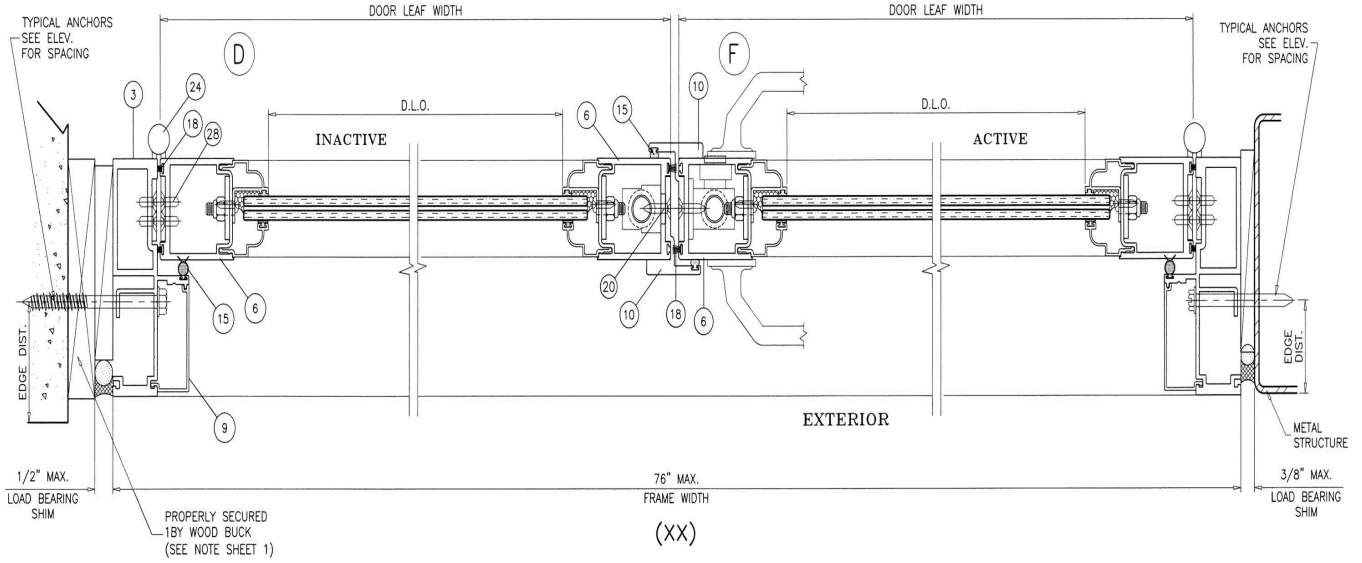
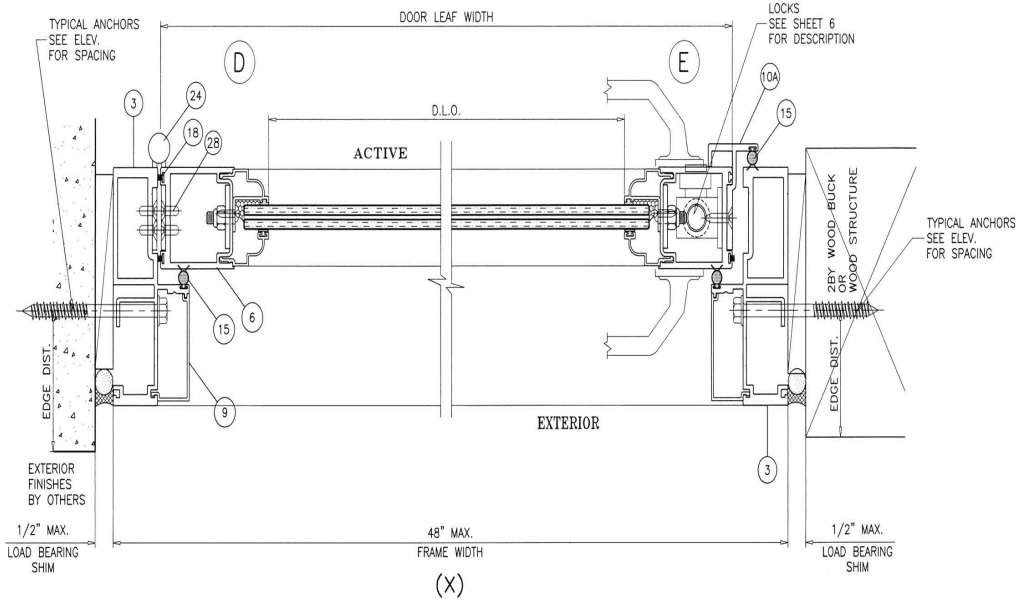


Hinge Left Inswing

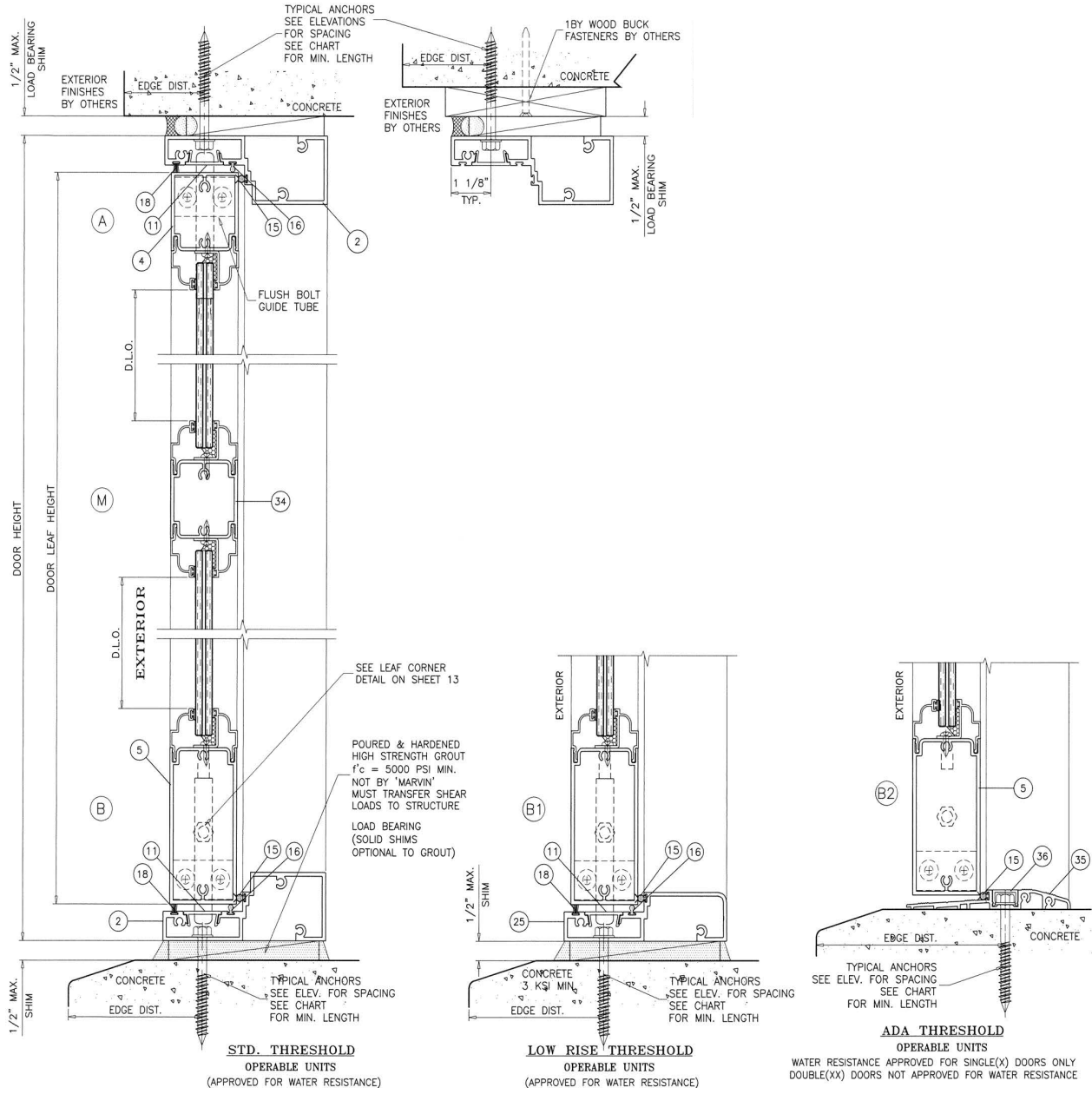
Section Details Inswing French Door Narrow Stile



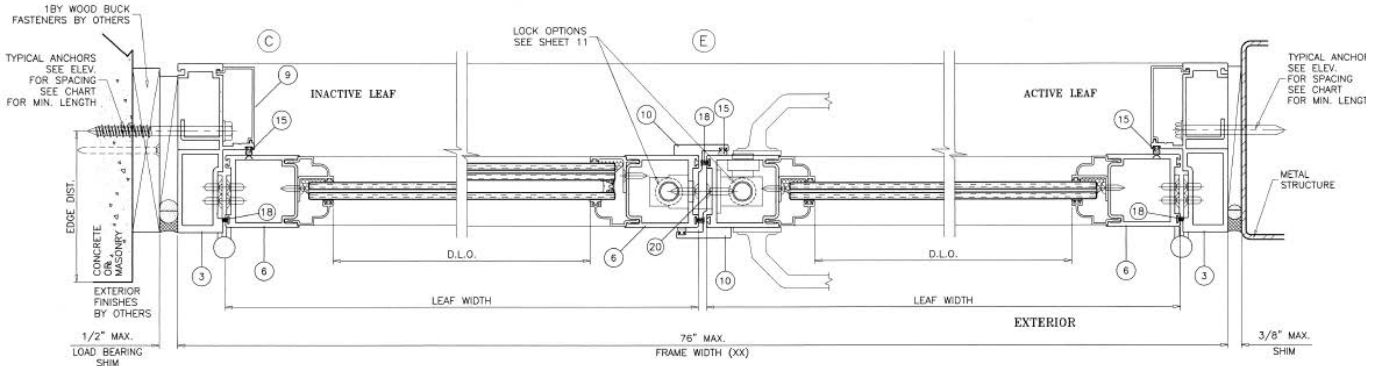
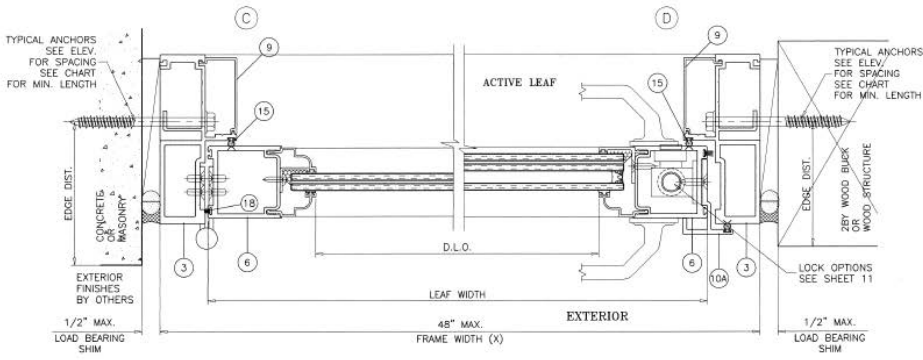
Section Details Inswing French Door Narrow Stile



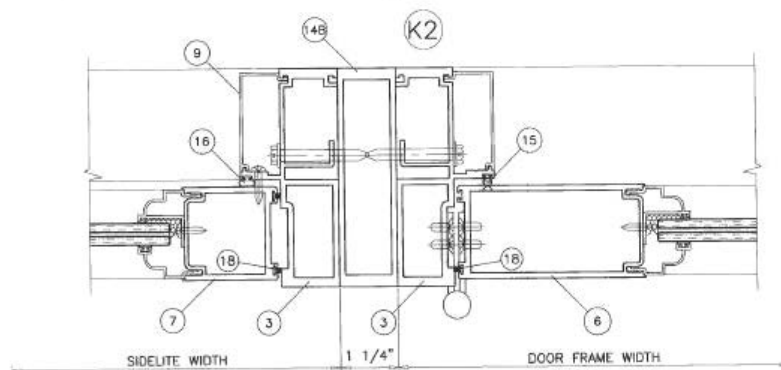
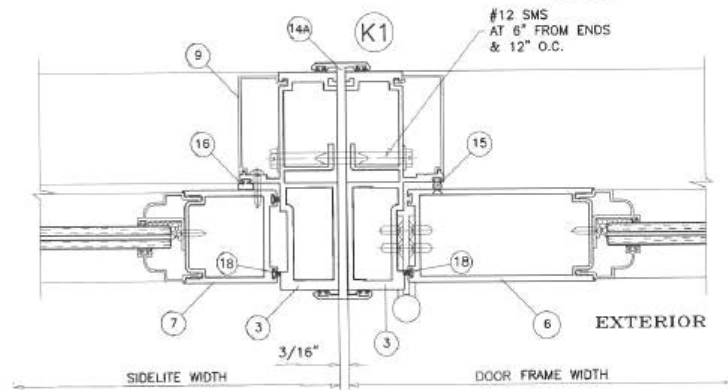
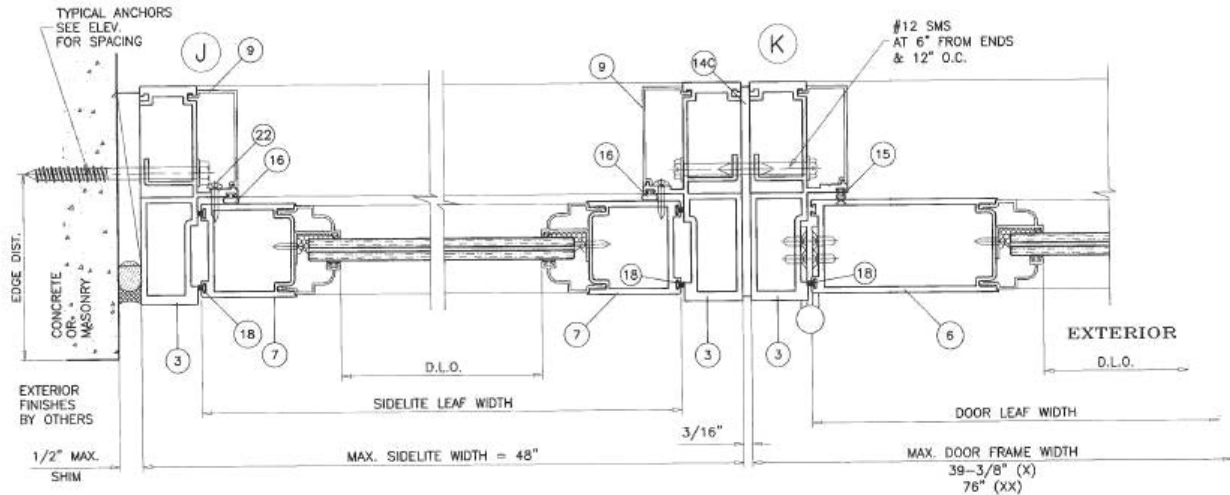
Section Details Outswing French Door Narrow Stile



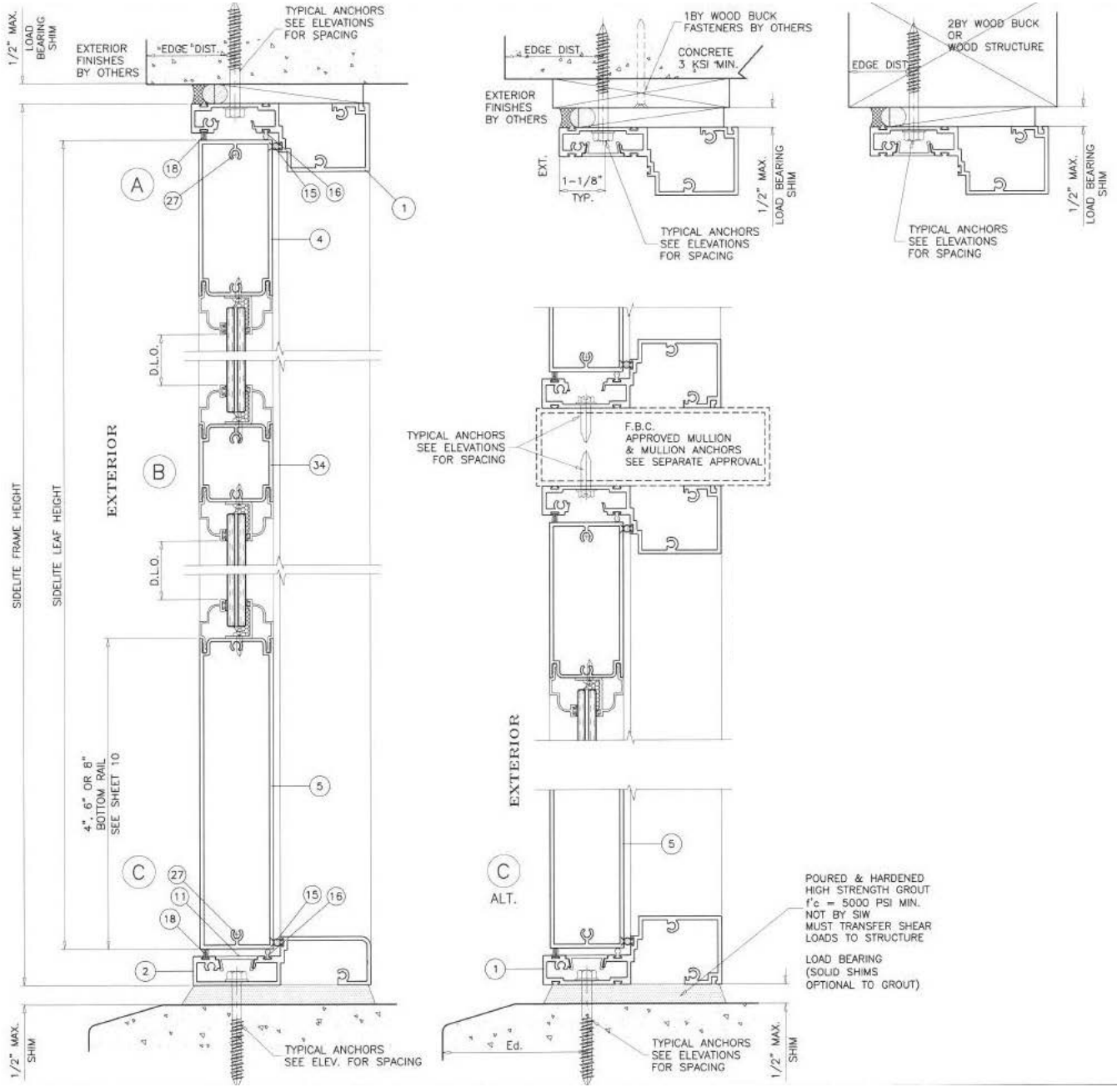
Section Details Outswing French Door Narrow Stile



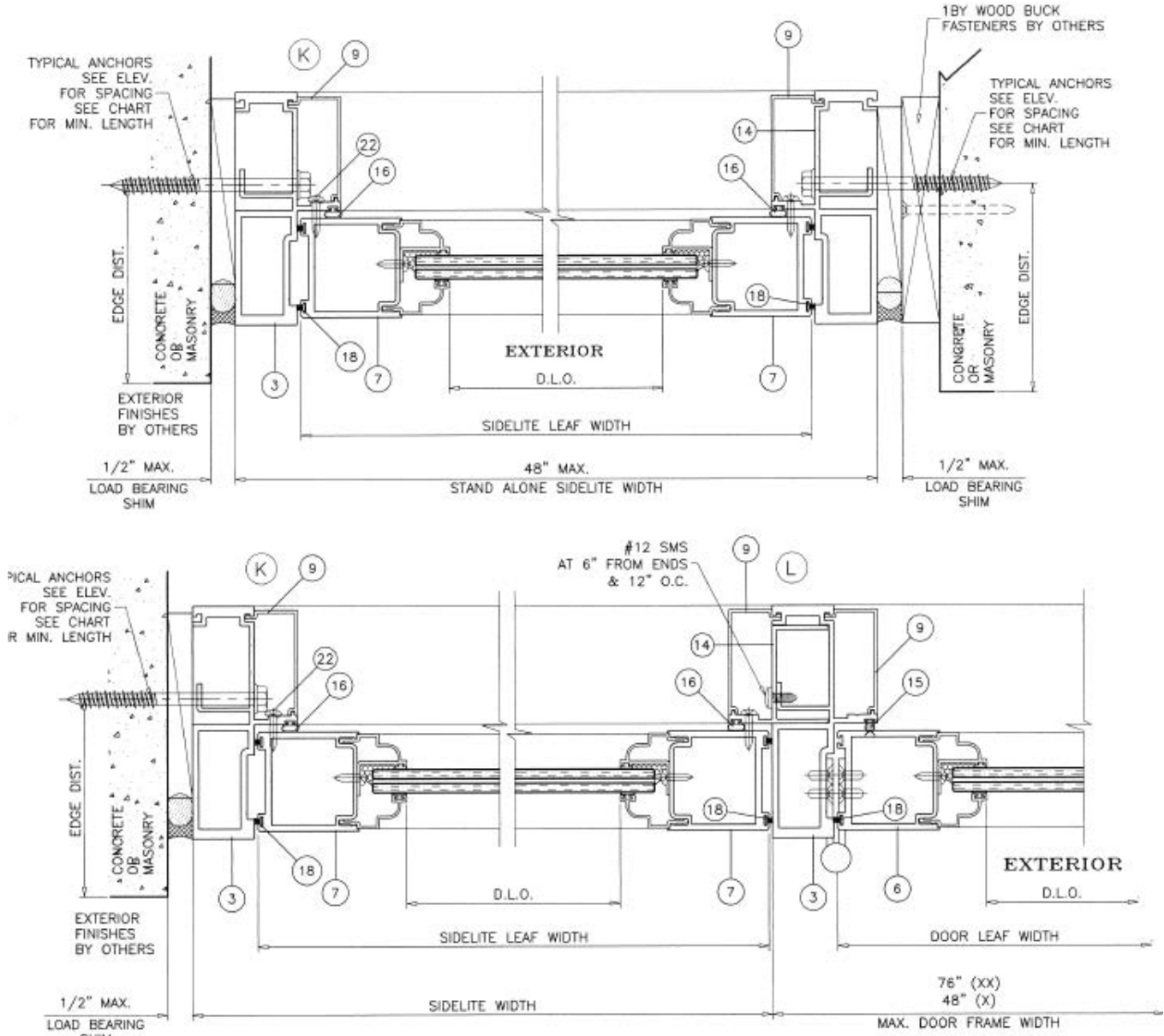
Section Details Mulling



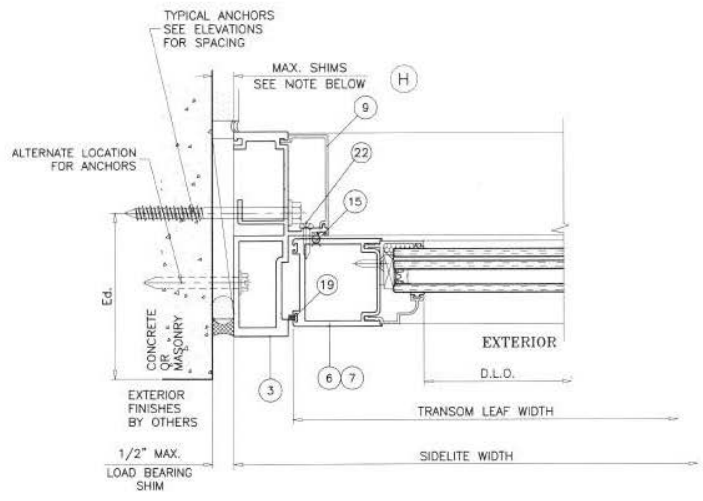
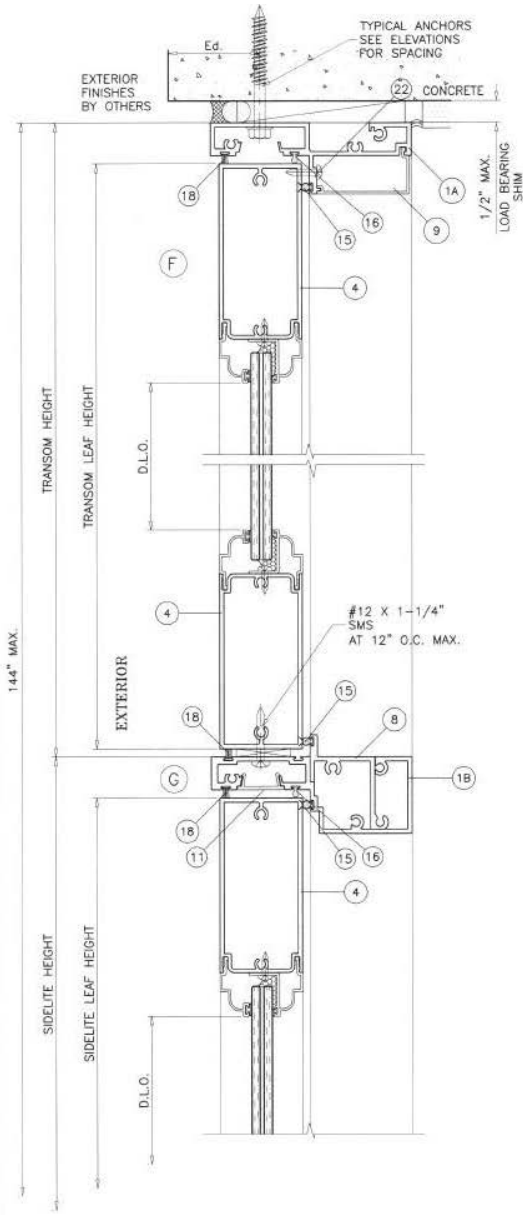
Section Details Sidelite/Transom



Section Details Sidelite/Transom



Section Details Sidelite/Transom Mull



SHIM SPACE AT TRANSOM MULL ENDS:
 ANCHORS INTO WOOD, MASONRY OR CONC.
 1/2" MAX. SHIMS
 ANCHORS INTO METAL STRUCTURES
 1/4" MAX. SHIMS