

Ultimate Wood Swinging French Door Arch Top 2 1/4"

Standard Unit Measurements and Spring Line Measurements.....	1
Minimum and Maximum Guidelines / Measurement Conversions / Certified Sizes	2
Net Clear Openings.....	3
Inswing Section Details: Operating	4
Inswing Section Details: Stationary and Sidelite	5
Inswing Section Details: Panel Configurations.....	6
Inswing Section Details: Flat Panel Placement.....	7
Inswing Section Details: Raised Panel Placement.....	8
Outswing Section Details: Operating.....	9
Outswing Section Details: Stationary and Sidelite	10
Outswing Section Details: Panel Configurations	11
Outswing Section Details: Flat Panel Placement	12
Outswing Section Details: Raised Panel Placement.....	13

Standard Unit Measurements and Spring Line Measurements

Standard Inswing and Outswing Unit Measurements													
Width													
Unit Type	Call Number	Masonry Opening		Rough Opening		Frame Size		Panel OM		Daylight Opening		Glass Size	
		ft - in	mm	ft - in	mm	ft - in	mm	ft-in	mm	ft - in	mm	ft-in	mm
1 Panel	2-6	2-10 9/16	(878)	2-8 7/16	(824)	2-7 7/16	(799)	2-5 1/16	(738)	1-5 3/32	(434)	1-6 13/32	(468)
	2-8	3-0 9/16	(929)	2-10 7/16	(875)	2-9 7/16	(849)	2-7 1/16	(789)	1-7 3/32	(485)	1-8 13/32	(518)
	3-0	3-4 9/16	(1030)	3-2 7/16	(976)	3-1 7/16	(951)	2-11 1/16	(891)	1-11 3/32	(587)	2-0 13/32	(620)
2 Panel	5-0	5-3 3/4	(1619)	5-1 5/8	(1565)	5-0 5/8	(1540)	2-5 1/16	(738)	1-5 3/32	(434)	1-6 13/32	(468)
	5-4	5-7 3/4	(1721)	5-5 5/8	(1667)	5-4 5/8	(1641)	2-7 1/16	(789)	1-7 3/32	(485)	1-8 13/32	(518)
	6-0	6-3 3/4	(1924)	6-1 5/8	(1870)	6-0 5/8	(1845)	2-11 1/16	(891)	1-11 3/32	(587)	2-0 13/32	(620)
Height													
Unit Type	Call Number	Masonry Opening		Rough Opening		Frame Size		Panel OM		Daylight Opening		Glass Size	
		ft - in	mm	ft - in	mm	ft - in	mm	ft-in	mm	ft - in	mm	ft - in	mm
All Configurations	8-0	8-1 1/16	(2465)	8-0	(2438)	7-11 1/2	(2426)	7-8 1/2	(2350)	6-6 3/8	(1991)	6-7 11/16	(2024)
	10-0	10-1 1/16	(3075)	10-0	(3048)	9-11 1/2	(3035)	9-8 1/2	(2959)	8-6 3/8	(2600)	8-7 11/16	(2634)

RT6 - Spring Line Measurements								
RO Radius Width for X = 3 - 4 1/2" (1029)								
RO Radius Width for XX = 6- 0 1/2" (1842)								
CN	Rough Opening		Rough Opening Springline		Frame Size		Frame Size Springline	
	ft-in	mm	ft-in	mm	ft-in	mm	ft-in	mm
2680	8-0	(2438)	7-8 39/64	(2352)	7-11 1/2	(2426)	7-8 9/32	(2344)
26100	10-0	(3048)	9-8 39/64	(2962)	9-11 1/2	(3035)	9-8 9/32	(2954)
2880	8-0	(2438)	7-8 5/32	(2341)	7-11 1/2	(2426)	7-7 27/32	(2333)
28100	10-0	(3048)	9-8 5/32	(2950)	9-11 1/2	(3035)	9-7 27/32	(2942)
3080	8-0	(2438)	7-7 5/32	(2315)	7-11 1/2	(2426)	7-6 27/32	(2308)
30100	10-0	(3048)	9-7 9/64	(2925)	9-11 1/2	(3035)	9-6 27/32	(2917)
5080	8-0	(2438)	7-5 1/8	(2264)	7-11 1/2	(2426)	7-4 13/16	(2256)
50100	10-0	(3048)	9-5 1/8	(2873)	9-11 1/2	(3035)	9-4 13/16	(2865)
5480	8-0	(2438)	7-4 5/32	(2239)	7-11 1/2	(2426)	7-3 27/32	(2231)
54100	10-0	(3048)	9-4 5/32	(2849)	9-11 1/2	(3035)	9-3 27/32	(2841)
6080	8-0	(2438)	7-1 61/64	(2183)	7-11 1/2	(2426)	7-1 43/64	(2176)
60100	10-0	(3048)	9-1 61/64	(2793)	9-11 1/2	(3035)	9-1 43/64	(2786)

RT2 - Spring Line Measurements								
CN	Rough Opening		Rough Opening Springline		Frame Size		Frame Size Springline	
	ft-in	mm	ft-in	mm	ft-in	mm	ft-in	mm
2680	8-0	(2438)	6-7 25/32	(2026)	7-11 1/2	(2426)	6-7 25/32	(2026)
26100	10-0	(3048)	8-7 25/32	(2636)	9-11 1/2	(3035)	8-7 25/32	(2636)
2880	8-0	(2438)	6-6 25/32	(2001)	7-11 1/2	(2426)	6-6 25/32	(2001)
28100	10-0	(3048)	8-6 25/32	(2611)	9-11 1/2	(3035)	8-6 25/32	(2611)
3080	8-0	(2438)	6-4 25/32	(1950)	7-11 1/2	(2426)	6-4 25/32	(1950)
30100	10-0	(3048)	8-4 25/32	(2560)	9-11 1/2	(3035)	8-4 25/32	(2560)
5080	8-0	(2438)	5-5 3/16	(1656)	7-11 1/2	(2426)	5-5 3/16	(1656)
50100	10-0	(3048)	7-5 3/16	(2265)	9-11 1/2	(3035)	7-5 3/16	(2265)
5480	8-0	(2438)	5-3 3/16	(1605)	7-11 1/2	(2426)	5-3 3/16	(1605)
54100	10-0	(3048)	7-3 3/16	(2215)	9-11 1/2	(3035)	7-3 3/16	(2215)
6080	8-0	(2438)	4-11 3/16	(1503)	7-11 1/2	(2426)	4-11 3/16	(1503)
60100	10-0	(3048)	6-11 3/16	(2113)	9-11 1/2	(3035)	6-11 3/16	(2113)

Minimum and Maximum Guidelines / Measurement Conversions / Certified Sizes

Minimum and Maximum Guidelines									
Unit Type		Frame Size							
		Min Width		Min Height		Max Width		Max Height	
		in	mm	in	mm	in	mm	in	mm
1 - Panel Stationary	RT2	20 5/16	(516)	25 29/64	(647)	37 7/16	(951)	119 1/2	(3035)
	RT6	29 9/16	(751)	22 27/32	(580)				
1 - Panel Operator	RT2	20 5/16	(516)	74 39/64	(1895)	37 7/16	(951)	119 1/2	(3035)
	RT6	29 9/16	(751)	72 5/16	(1837)				
2 - Panel Operator	RT2	45 1/2	(1156)	70 5/16	(1786)	72 5/8	(1845)	119 1/2	(3035)
	RT6	56 7/8	(1445)						

2 1/4" Arch Swinging Doors Extended Sizes				
Unit Type	Max Width		Max Height	
	in	mm	in	mm
1 - Panel Stationary	53 1/2	(1359)	119 1/2	(3035)
1 - Panel Operator	44 3/8	(1127)	119 1/2	(3035)
2 - Panel Operator	86 1/2	(2197)	119 1/2	(3035)

Unit Measurements		Width				Height	
From	To						
Frame		in	mm			in	mm
OM of Frame	Rough Opening	+1	(25)			+ 1/2	(13)
Masonry Opening	Rough Opening	+1/2	(13)			+ 1/4	(06)
Masonry Opening w/BMC	Rough Opening	-2 1/8	(54)			-1 1/16	(27)
Operating Panel		in	mm			in	mm
OM of Frame	OM of Panel (x1)	-2 3/8	(60)			-3	(00)
OM of Frame	OM of Panel (x2)	-2 1/2	(64)	÷	2	-3	(30)
Daylight Opening	OM of Panel	+11 31/32	(304)			+ 14 1/8	(152)
Glass		in	mm			in	mm
Daylight Opening	Glass	+ 1 5/16	(33)			+ 1 5/16	(17)

Product	Air Tested to psf	Water Tested to psf	Structural Tested to psf	Certification Rating	Design Pressure (DP)	Max Overall Width		Max Overall Height		# of Panels
						in	mm	in	mm	
Ultimate Wood Inswing French Door 2 1/4inch 30100 (O)	1.57	8.25 psf	+82.5/-97.5	LC-PG55-FD	+55/-65	37 7/16	(951)	119 1/2	(3035)	1
Ultimate Wood Inswing French Door 2 1/4inch 60100 (XX)	1.57	8.25 psf	+82.5/-97.5	LC-PG55-FD	+55/-65	72 5/8	(1845)	119 1/2	(3035)	2

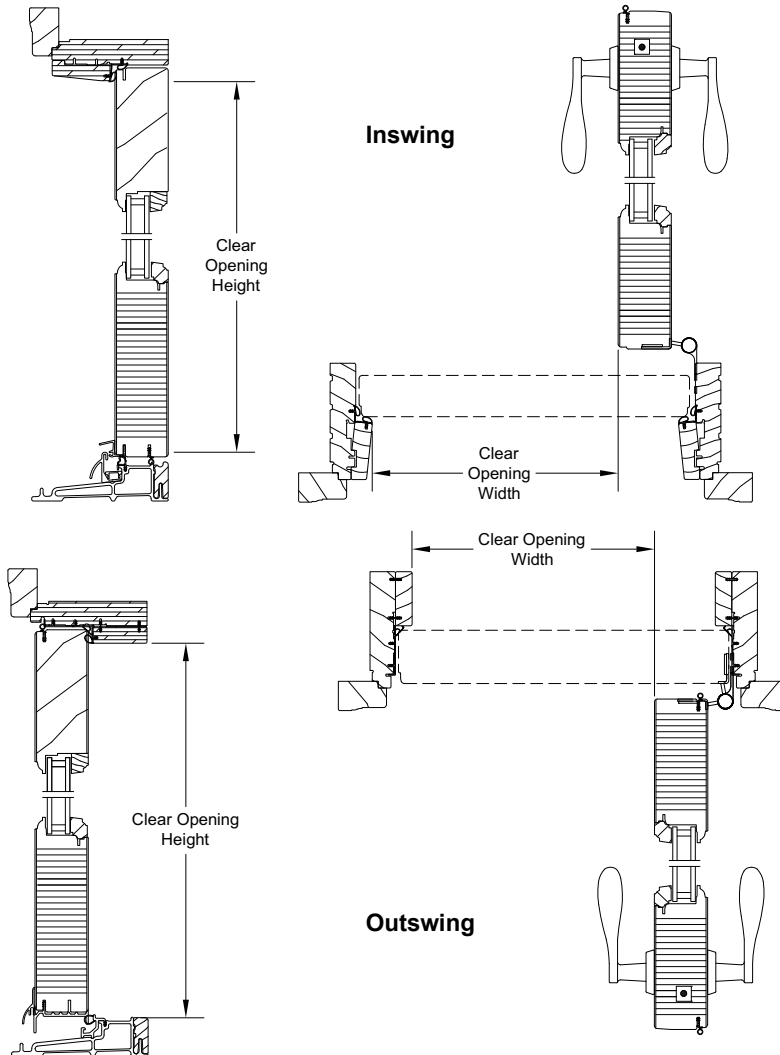
Product	Air Tested to psf	Water Tested to psf	Structural Tested to psf	Certification Rating	Design Pressure (DP)	Max Overall		Max Overall		# of Panels
						in	mm	in	mm	
Ultimate Wood Outswing French Door 2 1/4inch 30100 (O)	1.57	8.25	+82.5/-97.5	LC-PG55-FD	+55/-65	37 7/16	(951)	119 1/2	(3035)	1
Ultimate Wood Outswing French Door 2 1/4inch 60100 (XX)	1.57	8.25	+82.5/-97.5	LC-PG55-SHD	+55/-65	72 5/8	(1845)	119 1/2	(3035)	2

Net Clear Openings

Scale: 1 1/2" = 1'

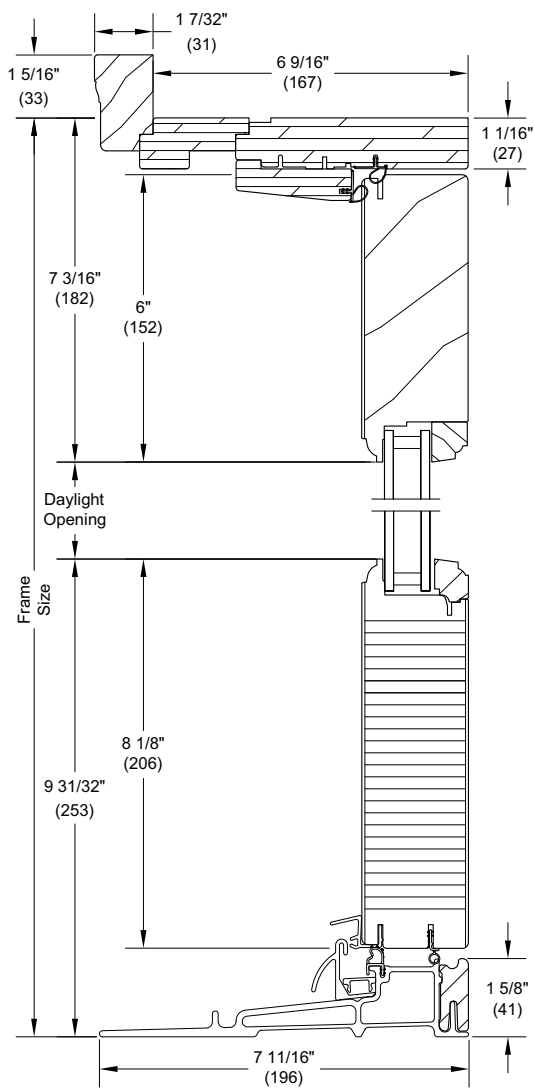
Net Clear Opening Ultimate Inswing French Door 2 1/4" Width			
Unit Type	Call Number	Net Clear Openings	
		ft-in	mm
1 Panel	2-6	2-1 15/32	(647)
	2-8	2-3 15/32	(698)
	3-0	2-7 15/32	(799)
2 Panel	5-0	4-4 3/16	(1325)
	5-4	4-8 3/16	(1427)
	6-0	5-4 3/16	(1630)
Height			
Unit Type	Call Number	Net Clear Openings	
		ft - in	mm
All Configurations At Springline	8-0	7-7 23/32	(2329)
	10-0	9-7 23/32	(2939)

Net Clear Opening Ultimate Outswing French Door 2 1/4" Width			
Unit Type	Call Number	Net Clear Openings	
		ft-in	mm
1 Panel	2-6	2-1 15/32	(647)
	2-8	2-3 15/32	(698)
	3-0	2-7 15/32	(799)
2 Panel	5-0	4-4 3/16	(1325)
	5-4	4-8 3/16	(1427)
	6-0	5-4 3/16	(1630)
Height			
Unit Type	Call Number	Net Clear Openings	
		ft - in	mm
All Configurations At Springline	8-0	7-8 1/8	(2340)
	10-0	9-8 1/8	(2950)

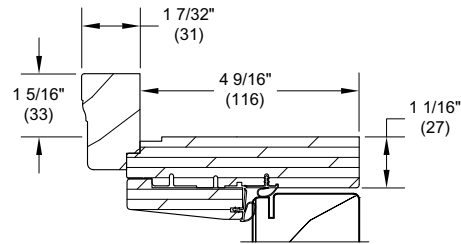


Inswing Section Details: Operating

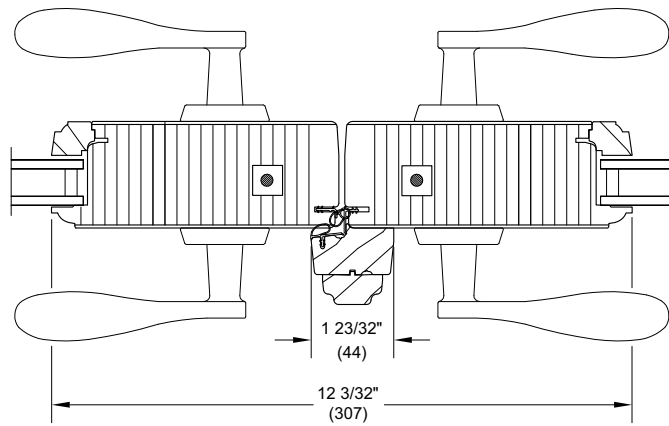
Scale: 3" = 1' 0"



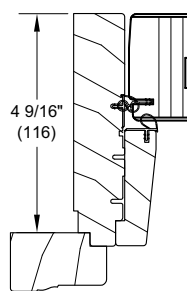
Head Jamb and Sill



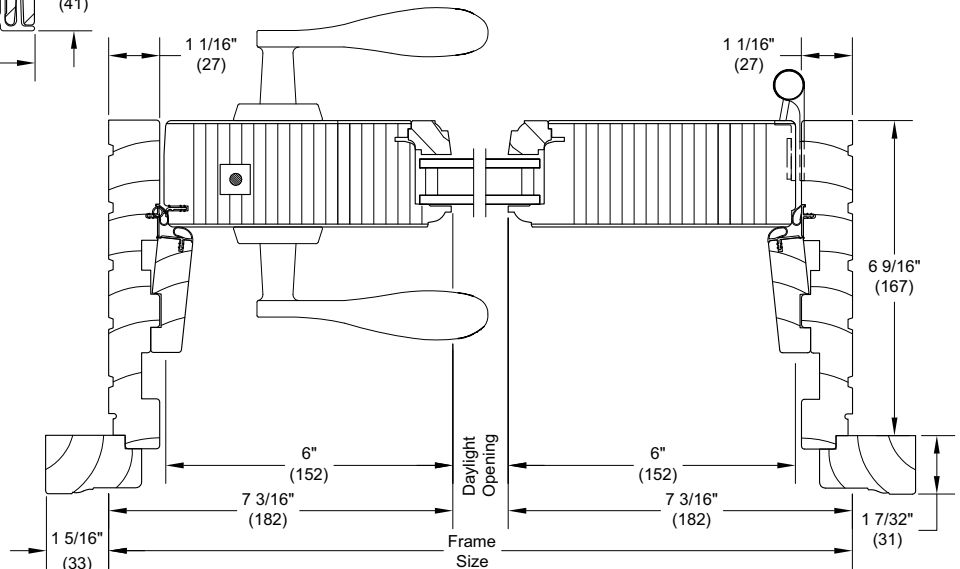
4 9/16" Head Jamb



XX L Meeting Stiles



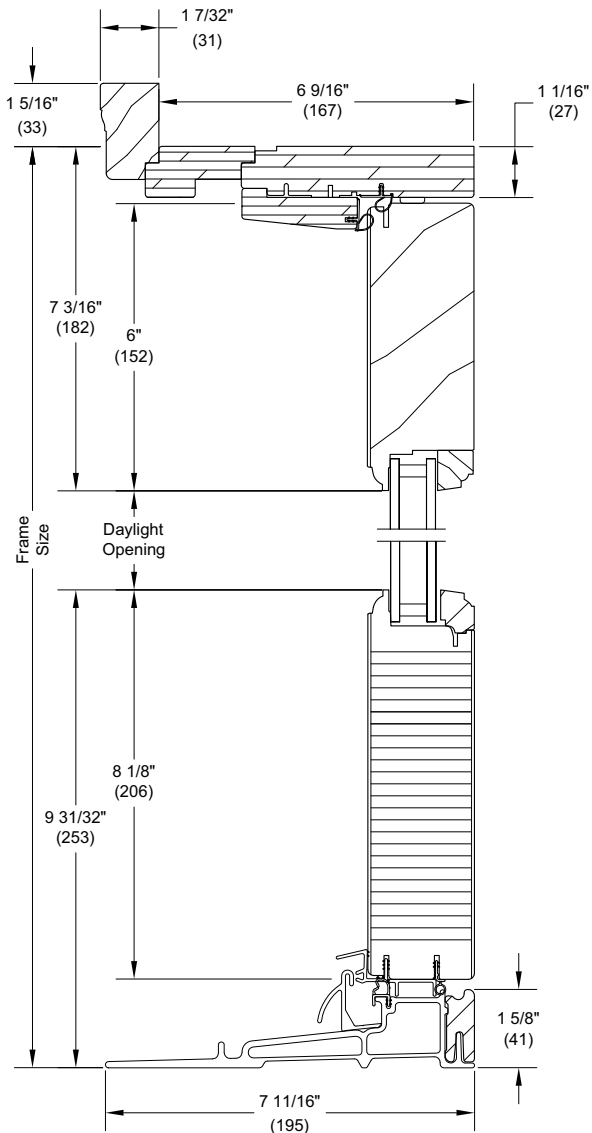
4 9/16" Jamb RT2



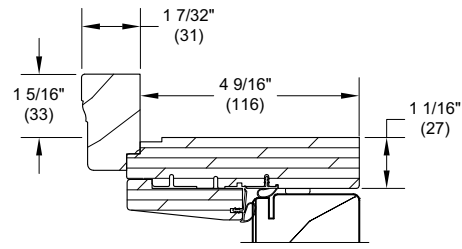
X R Jamb - RT6

Inswing Section Details: Stationary and Sidelite

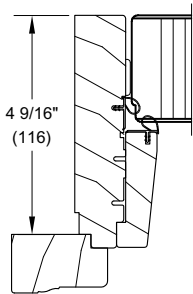
Scale: 3" = 1' 0"



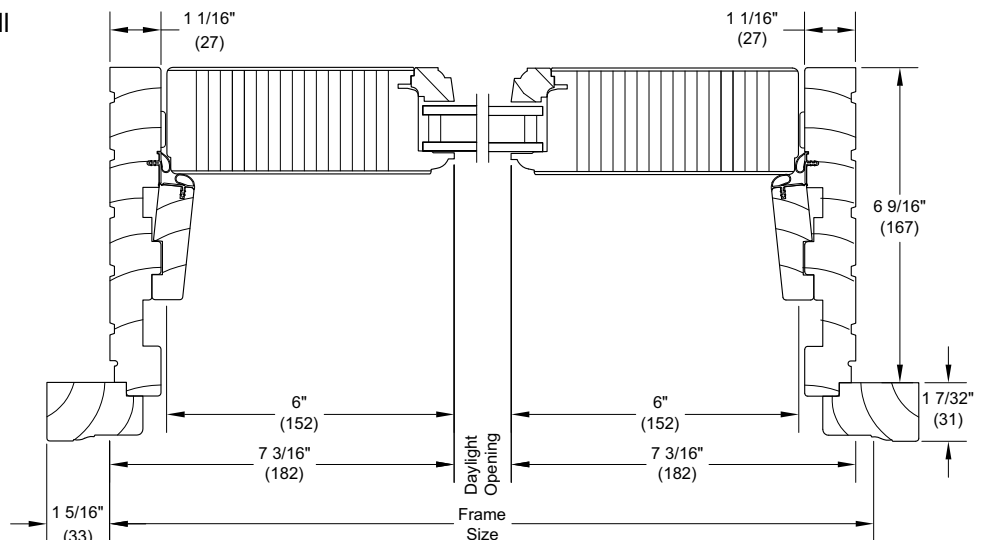
Head Jamb and Sill



4 9/16" Head Jamb



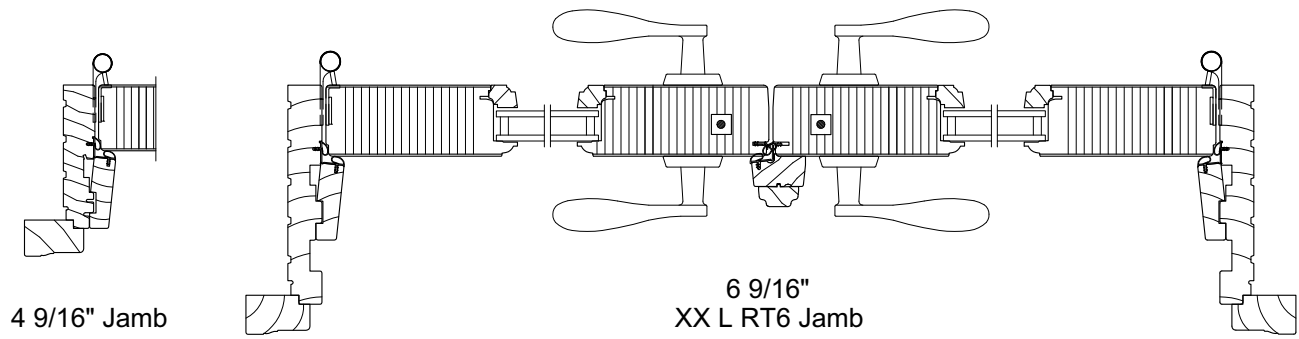
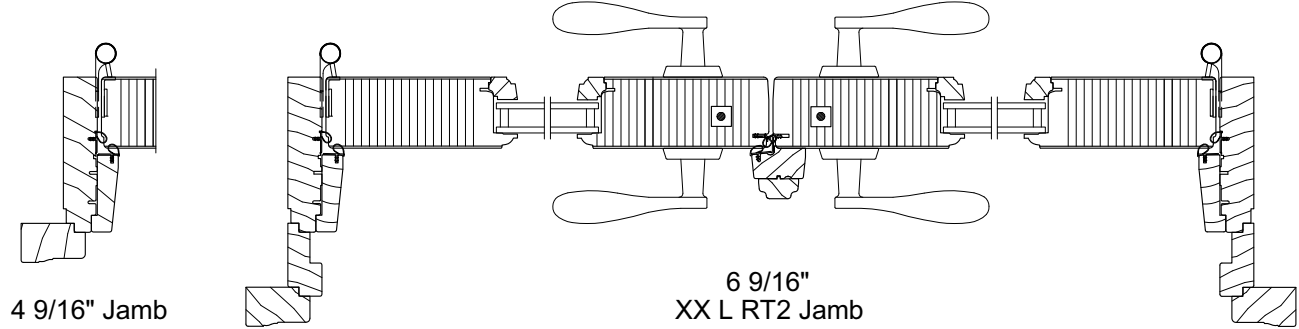
**4 9/16" Jamb
RT2**



O Jamb - RT6

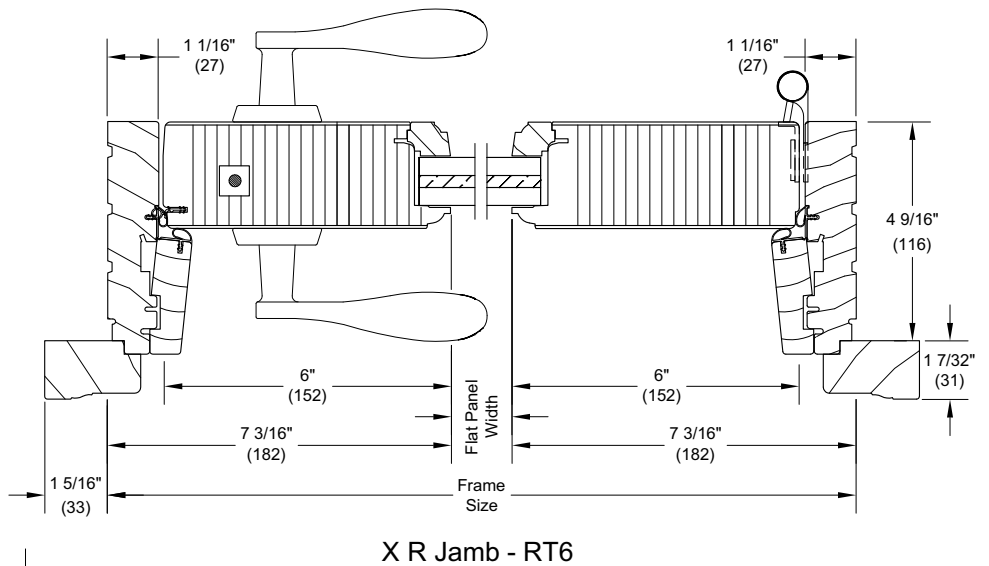
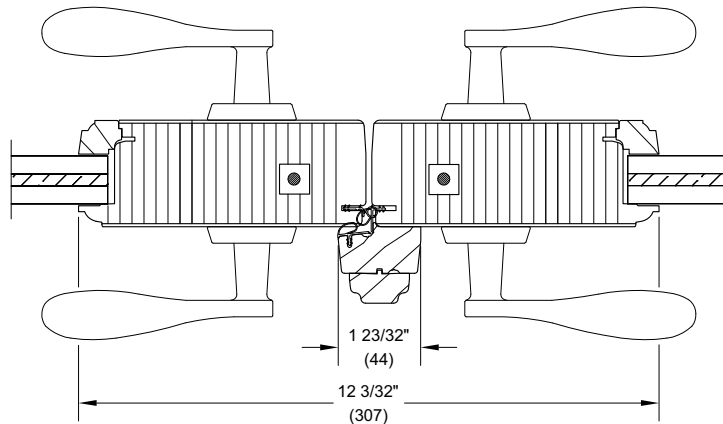
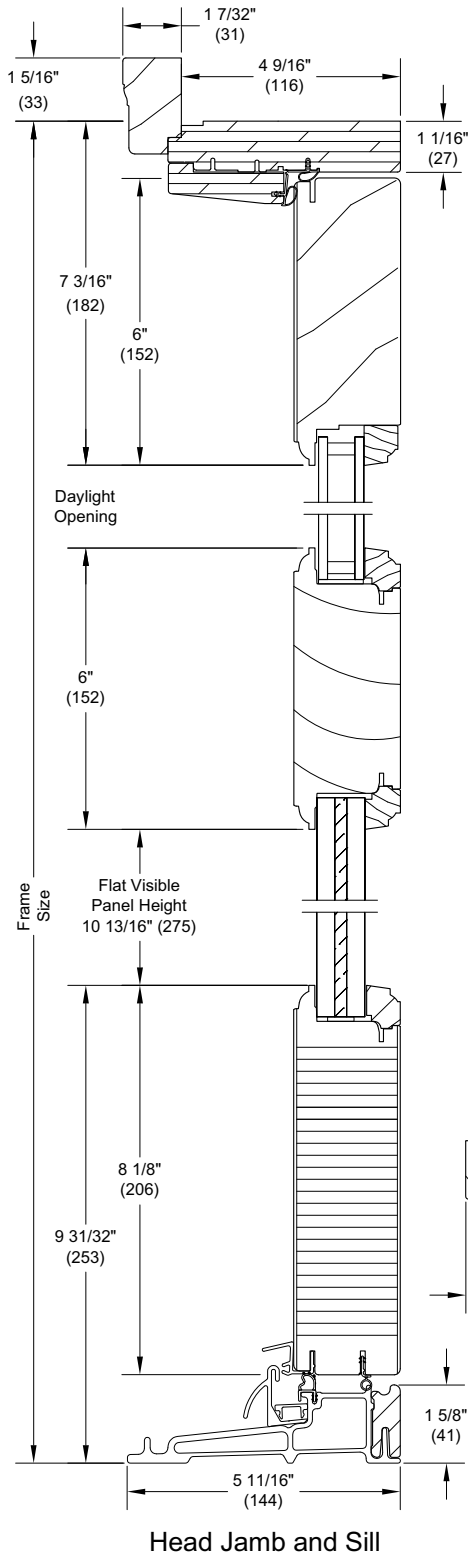
Inswing Section Details: Panel Configurations

Not to Scale



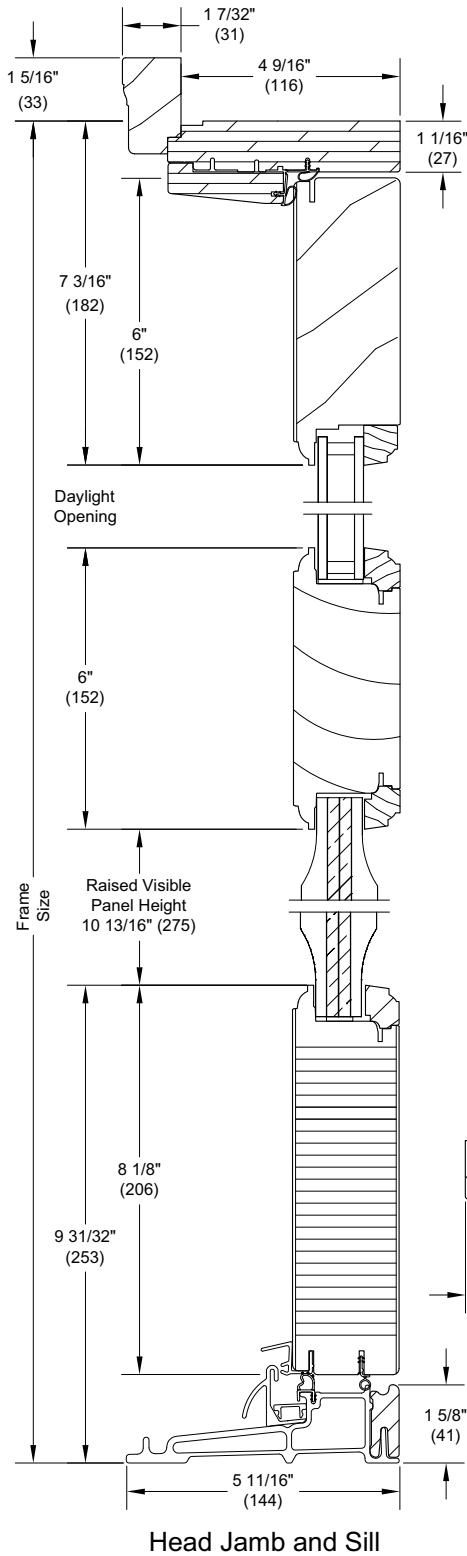
Inswing Section Details: Flat Panel Placement

Scale: 3" = 1' 0"

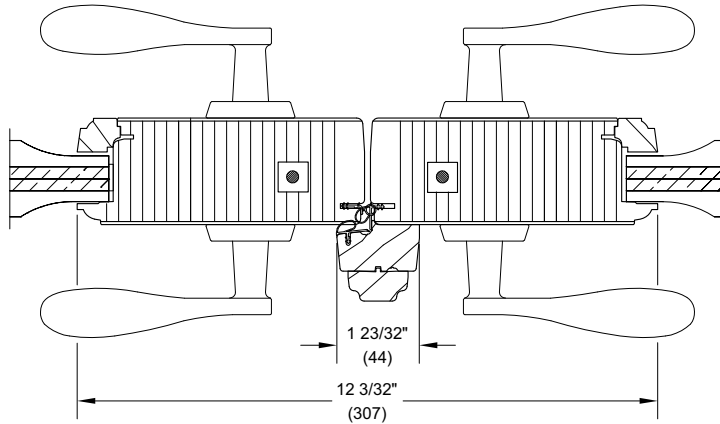


Inswing Section Details: Raised Panel Placement

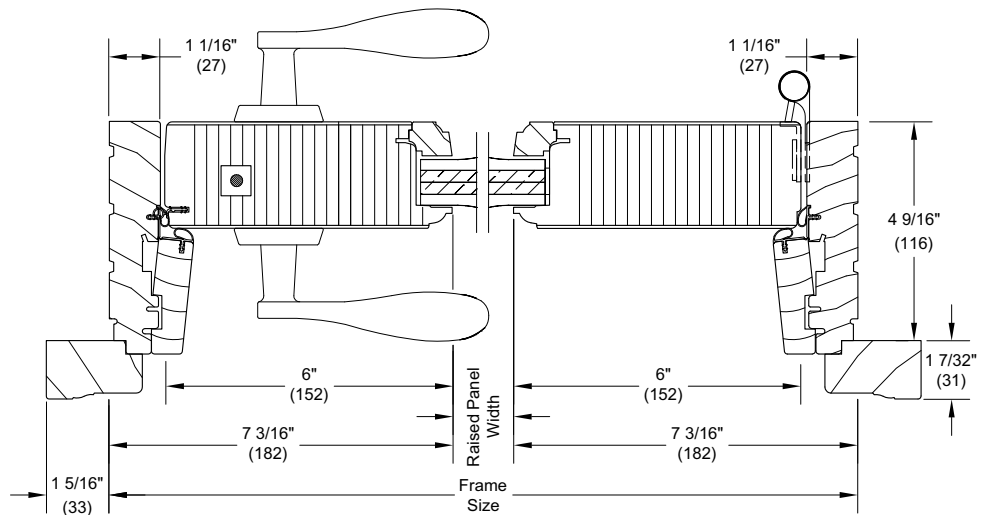
Scale: 3" = 1' 0"



Head Jamb and Sill



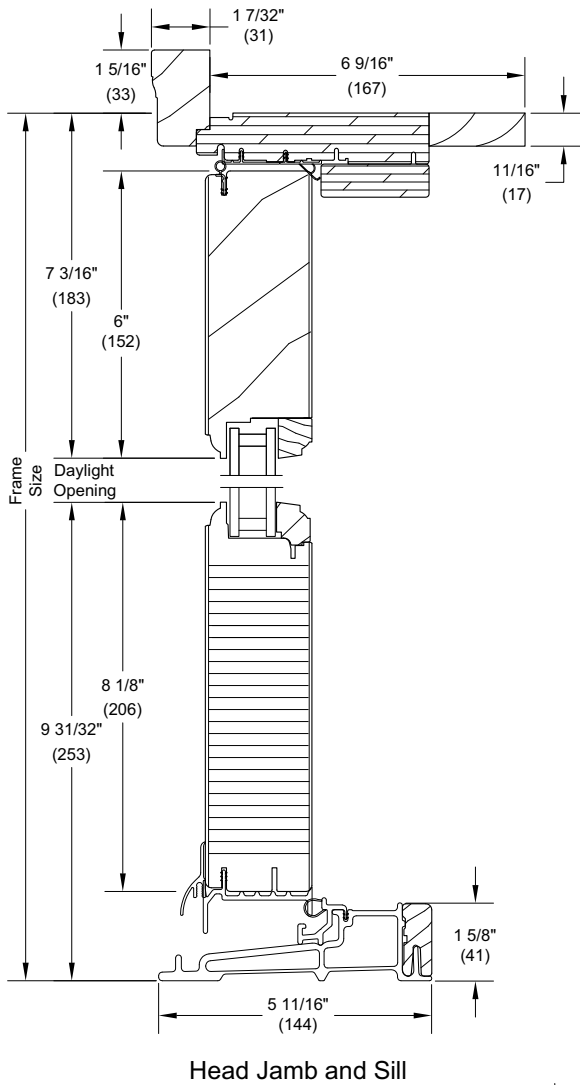
XX L Meeting Stiles



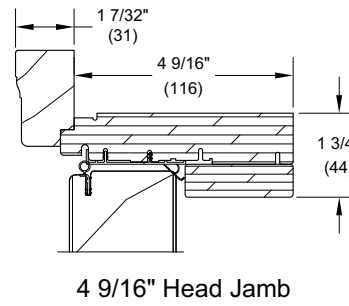
X R Jamb - RT6

Outswing Section Details: Operating

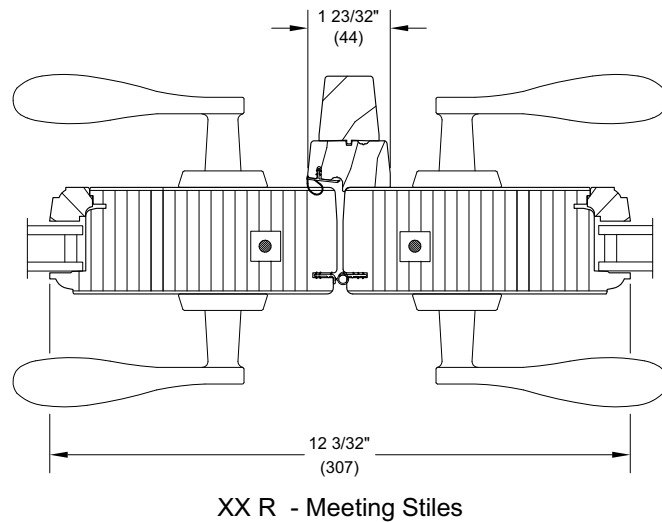
Scale: 3" = 1' 0"



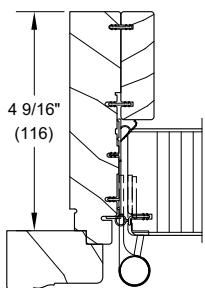
Head Jamb and Sill



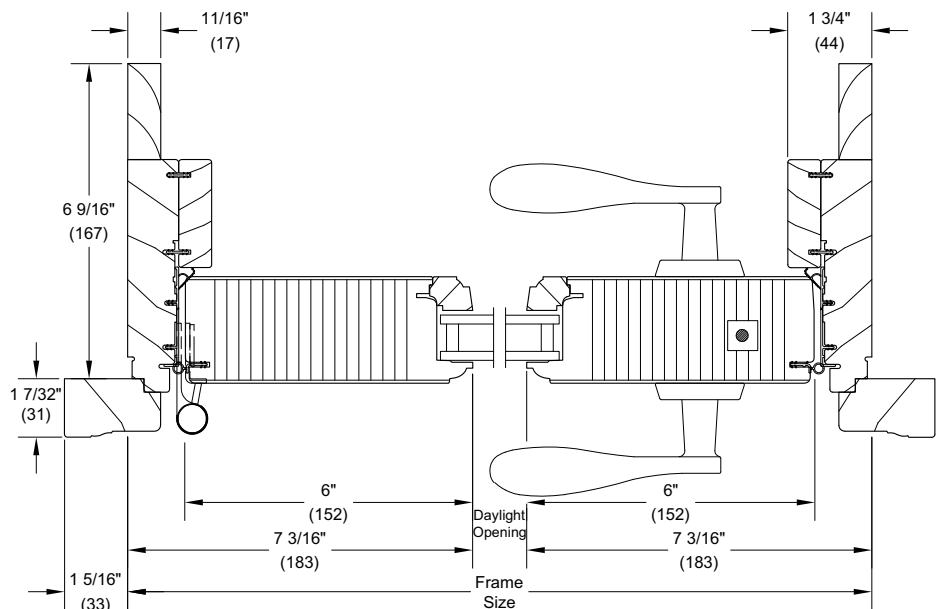
4 9/16" Head Jamb



XX R - Meeting Stiles



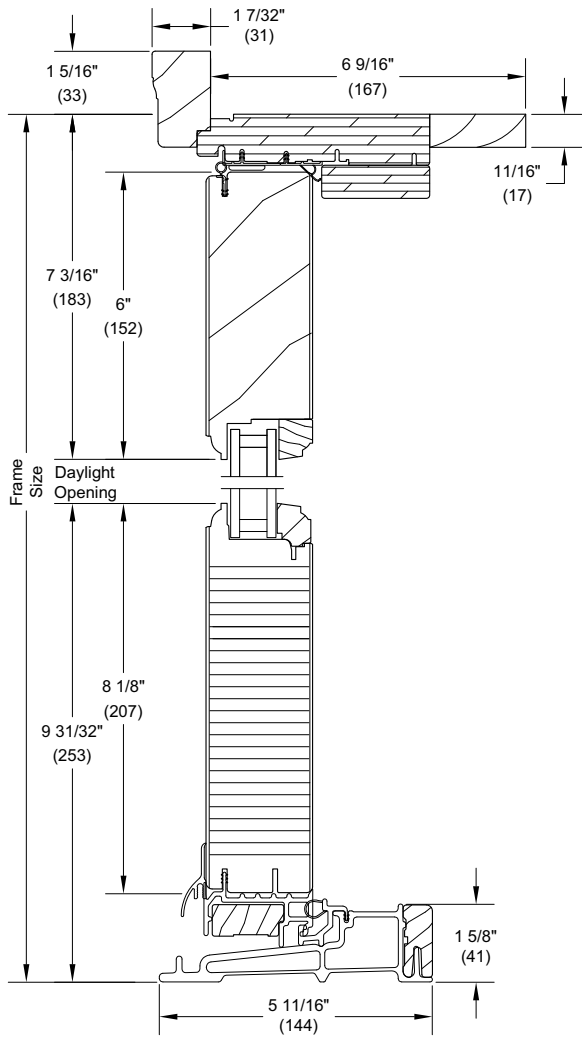
4 9/16" Jamb - RT2 & RT6



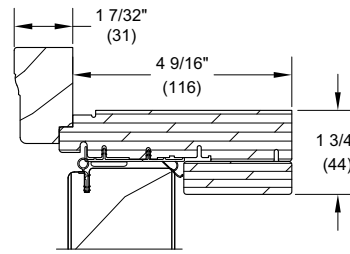
X R - Jamb - RT2 & RT6

Outswing Section Details: Stationary and Sidelite

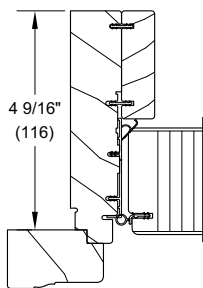
Scale: 3" = 1' 0"



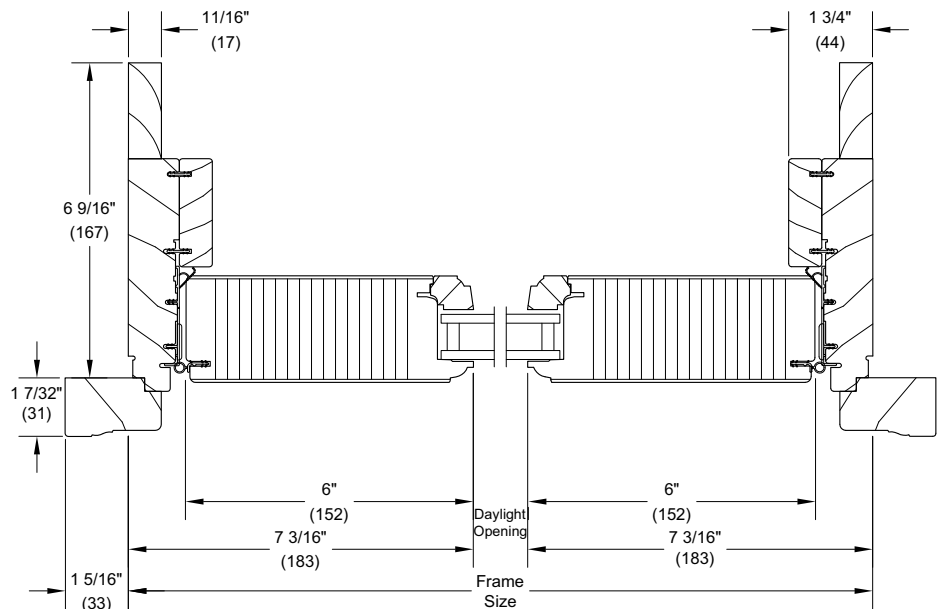
Head Jamb and Sill



4 9/16" Head Jamb



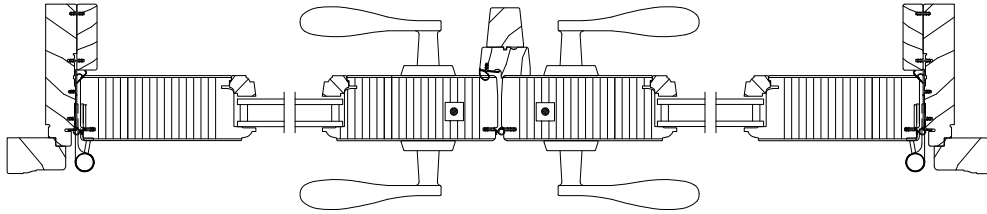
**4 9/16" Jamb
RT2 & RT6**



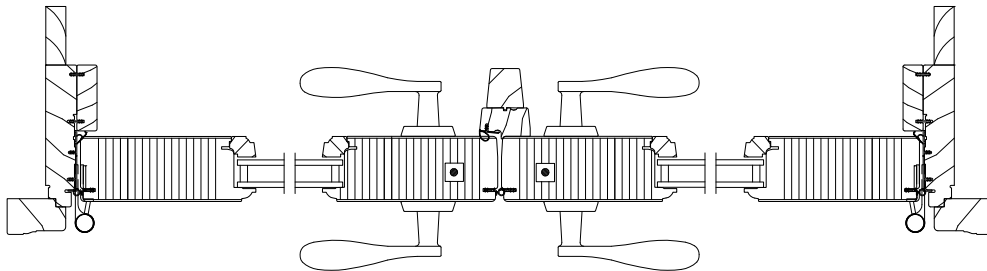
O - Jamb - RT2 & RT6

Outswing Section Details: Panel Configurations

Not to Scale



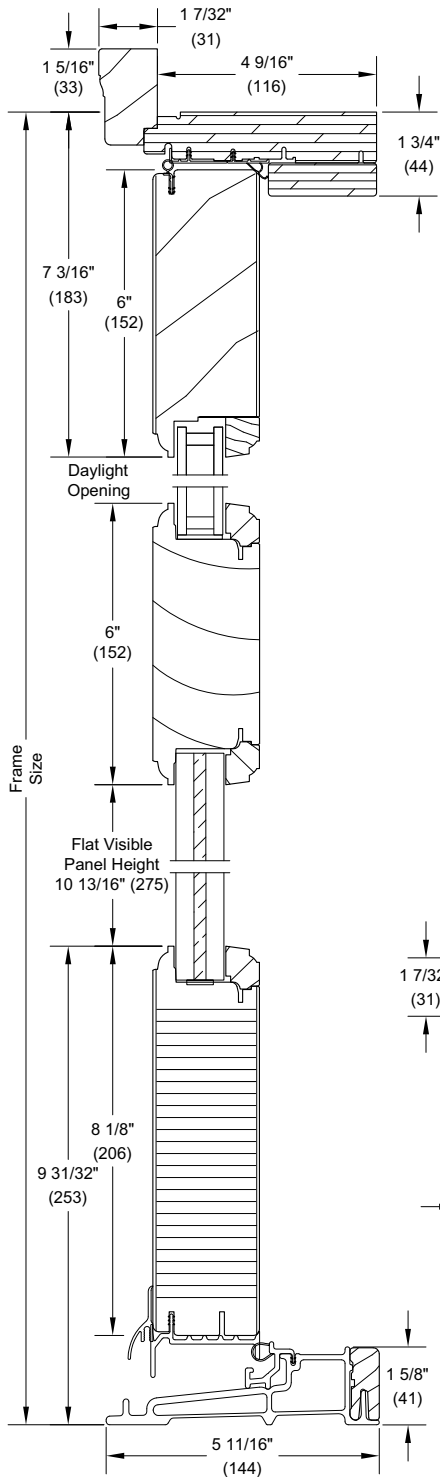
XX R 4 9/16" Jamb - RT2 & RT6



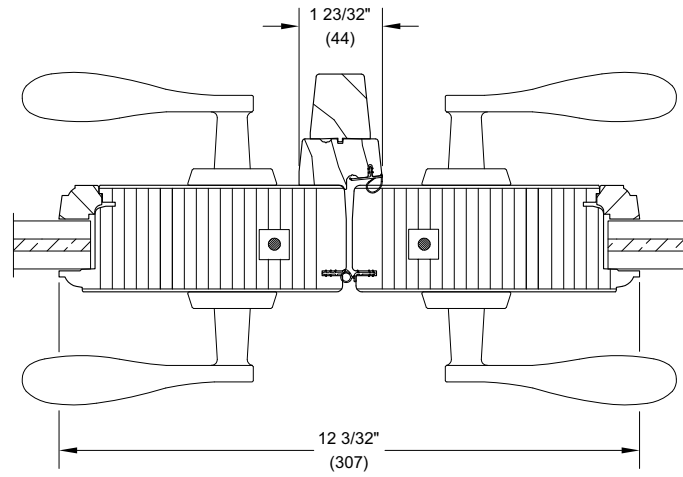
XX R 6 9/16" Jamb - RT2 & RT6

Outswing Section Details: Flat Panel Placement

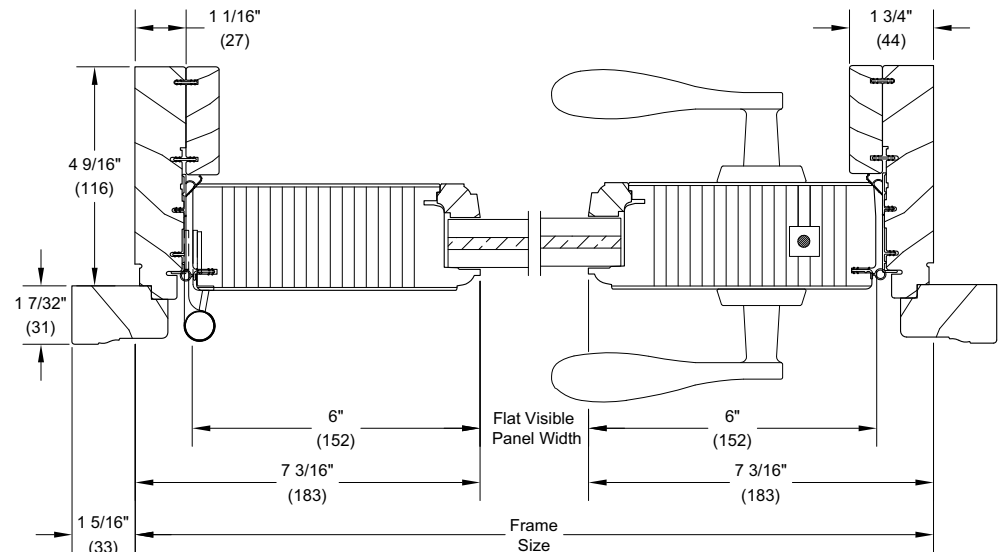
Scale: 3" = 1' 0"



Head Jamb and Sill



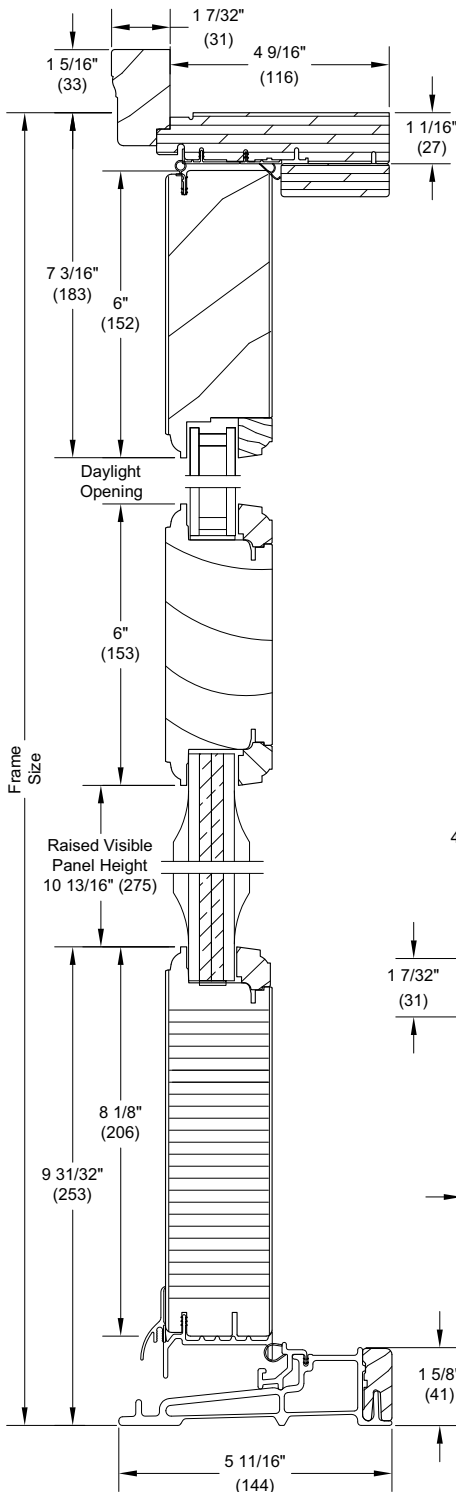
XX L - Meeting Stiles



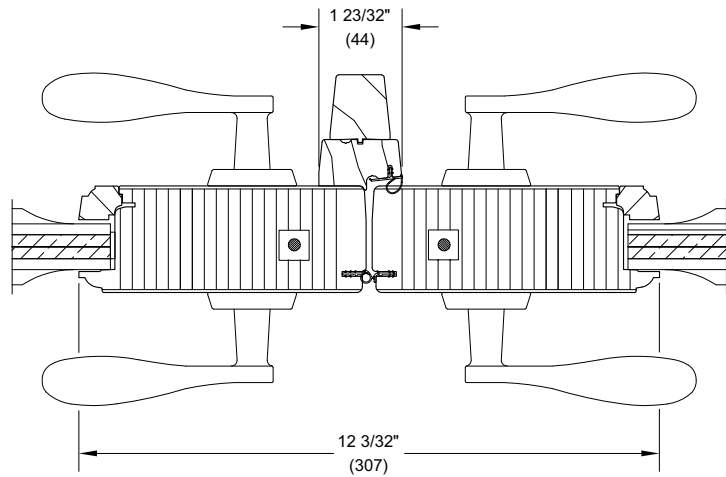
X R - Jamb - RT2 & RT6

Outswing Section Details: Raised Panel Placement

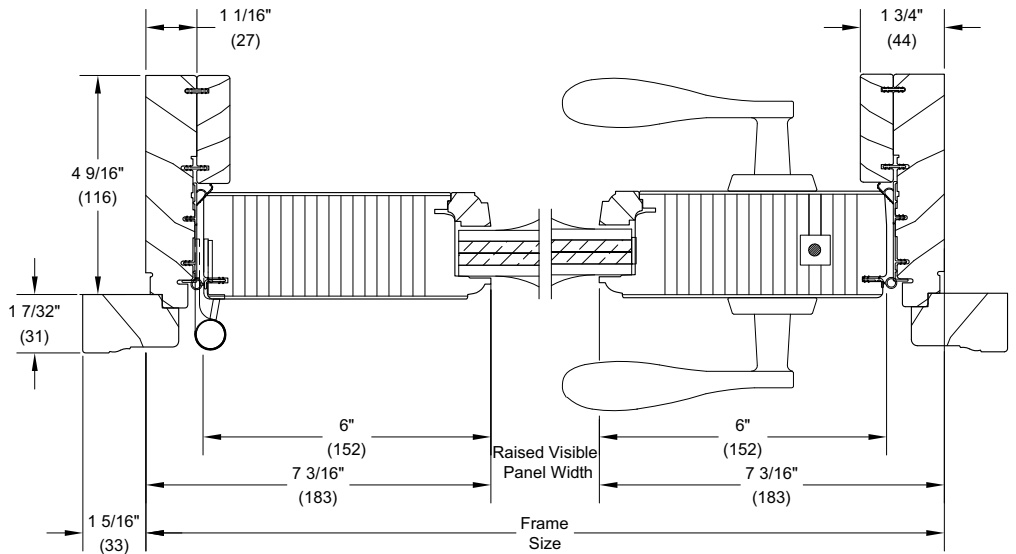
Scale: 3" = 1' 0"



Head Jamb and Sill



XX L - Meeting Stiles



X R - Jamb - RT2 & RT6