

Ultimate Swinging French Door

Supplemental Installation Instruction

ABSTRACT: This instruction will show installers how to permanently secure the door into the rough opening after it has been installed using the [General Door Installation](#) instructions which includes **RO prep, installation, and flashing/sealing procedures**. This is relevant for product produced from 2012 to present and applies to the following products:

- Ultimate Inswing (UIFD)
- Ultimate Inswing 2 1/4" (UIFD2.25)
- Ultimate Wood Inswing (UWIFD)
- Ultimate Outswing (UOFD)
- Ultimate Outswing 2 1 1/4" (UOFD2.25)
- Ultimate Wood Outswing (UWOFD)

WARNING!

Always practice safety! Wear the appropriate eye, ear, and hand protection, especially when working with power tools.

Standard Parts Shipped

Each Marvin Swinging Door is sent with a handle set, hinge screw package, and strike screw package. Ultimate units include a nailing fin corner gasket package.

Table of Contents

Permanently Securing the Door	2
Adjustable Hinge/Panel Alignment	4
Part Stop Removal and Replacement	6
Butt Hinge Adjustment	7

Permanently Securing the Door

For Units Using Jamb Screw Method:

1. Once the unit has been properly shimmed, plumbed, and squared fasten unit to wood buck/rough opening with minimum diameter of a #8 wood screw. Length of jamb screws may vary depending on type of unit, location and operation of the panel with a minimum buck penetration of 1 1/4" (32). A minimum jamb screw length of 3" (76) is required. Screws must be a minimum of 1" (25) from edge of buck. Place the screw 6" (152) from each corner, maximum 12" (305) on center, with a minimum of 2 per side. See Figure 1 for fastening detail for Inswing doors, Figure 2 for Outswing doors, and Part Stop Removal and Replacement on page 6 for Clad exterior stop removal instructions.

NOTE: Pre-drill the screw holes before installing the screws.

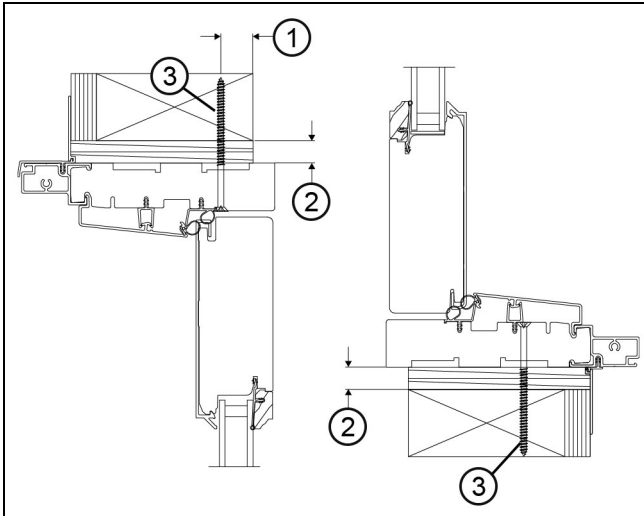


Figure 1 Inswing Operator and Stationary/Transom

1	1" minimum
2	1/2" maximum
3	Minimum #8 x 3" wood screw

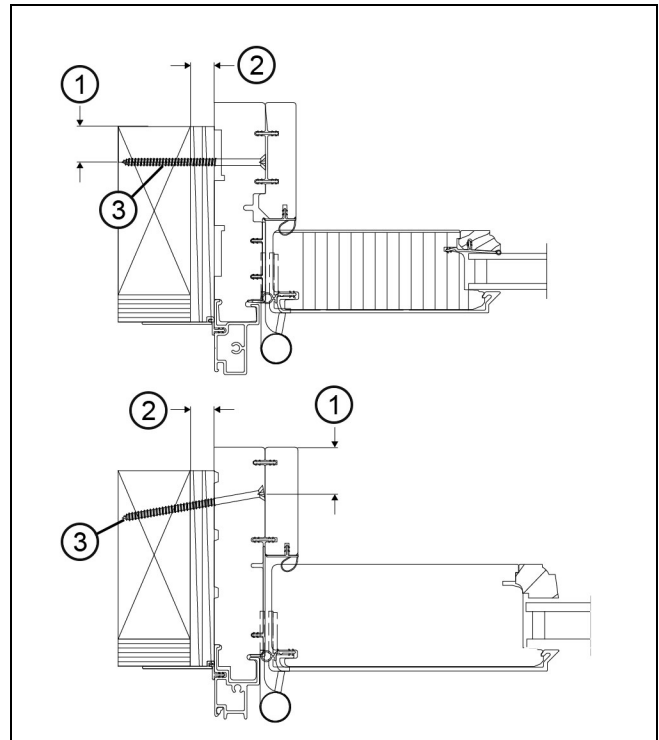


Figure 2 UOFD (top) and UOFD 2.25 (bottom)

1	1" minimum
2	1/2" maximum
3	Minimum #8 x 3" wood screw

2. For units using masonry clip and structural bracket installation (wood and clad): refer to the installation instructions included with the clips and/or brackets.

IMPORTANT

2 1/4" panel doors and IZ3 Installations: install the long screw (provided) through the hinge into the stud-wall on all hinges.

NOTE: All doors shown are Ultimate Inswing French Doors (UIFD) except as otherwise noted.

3. On all operating panels, install a provided #10 x 2 1/2" screw (two #12 x 2 1/2" screws for ball bearing hinges) as shown in Figure 3 and Figure 4. On Outswing products, inject pre-drilled screw holes with sealant before installing 2 1/2" screws into hinges.

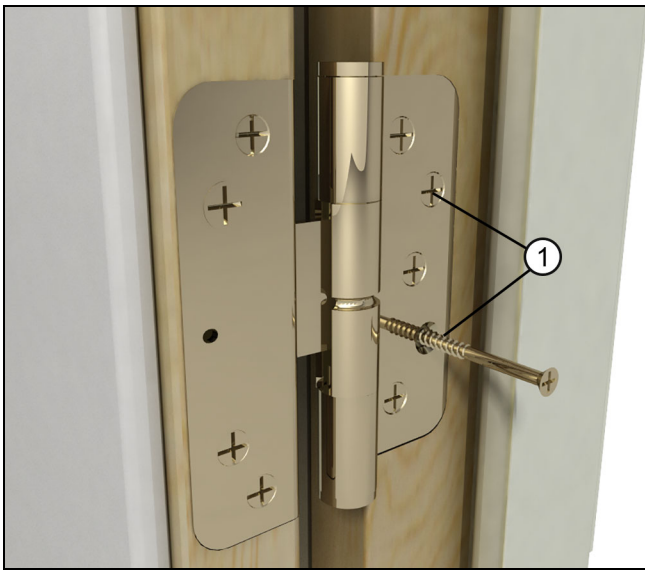


Figure 3 Adjustable hinge

1	#10 x 2 1/2" screw (1 for 1 3/4" doors, 2 for 2 1/4" doors)
---	---



Figure 4 Ball bearing hinge

1	#12 x 2 1/2" screws (1 for 1 3/4" doors, 2 for 2 1/4" doors)
---	--

4. On all side jamb and head jamb strike plates, remove and replace the screws fastening the strike to the frame with the longer screws and drive into the rough opening frame as shown in [Figure 5](#) and [Figure 6](#). On Ultimate Inswing Doors the screws will stay intact on the head jamb strike plate and two #8 installation screws will be applied through the retainer as shown in [Figure 7](#).



Figure 5 Ultimate Outswing Doors

1	#10 x 3" wood screw (UOFD)
2	#8HD -10-12 x 2 1/2" wood screw (UOFDIZ3 and UOFD2.25)

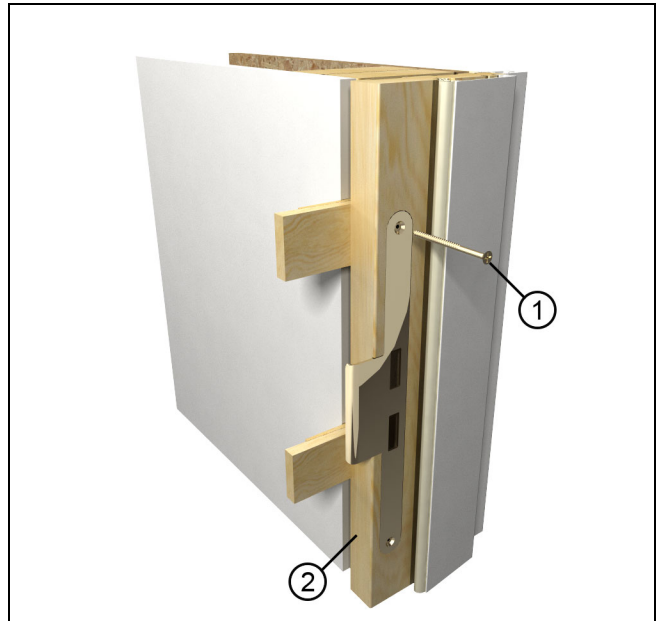


Figure 6

1	#8 x 2 1/2" wood screw
2	Locking stile jamb



Figure 7 Ultimate Inswing Doors

1	#8 x 1 1/2" wood screws (UIFD)
2	#8HD -10-12 x 3" wood screw (UIFDIZ3 and UIFD2.25)

⚠ WARNING!

If the unit has a sidelite or transom mullied above, use a 2" or smaller screw to prevent breaking the glass.

5. Close the panel(s) and check the margin between the active and inactive panel or panel and jambs. The door is designed to have a 1/8" (3) gap between the

panels. Correct the margin if needed by adjusting the long screw installed in the previous steps. See Figure 8.

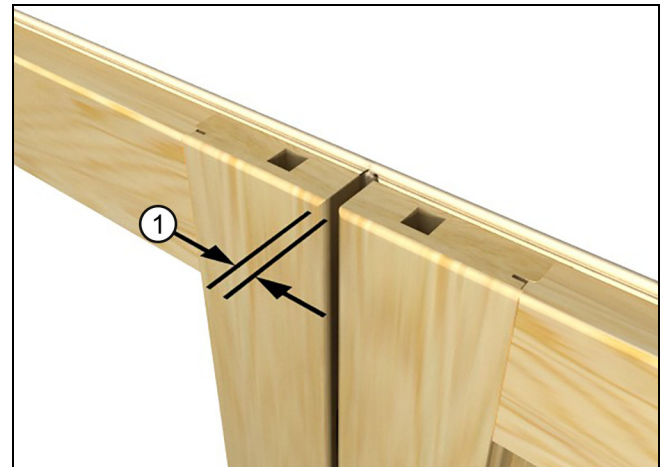


Figure 8

1	1/8" gap
---	----------

NOTE: Proceed to general door instruction for steps on how to secure the sill and final flashing and sealing procedures.

Adjustable Hinge/Panel Alignment

Before adjusting the panels ensure that the frame and sill are in a square, plumb, level and true condition. See #19970479 Door General Installation Instructions. Adjusting the panels will not correct a humped sill, sagging head jamb or frame that is not square and true. The adjustable hinges can correct minor misalignments in the door system.

If the hinges have to be adjusted away from the midpoint of the adjustment range to achieve panel alignment, carefully recheck the frame to ensure it is level/plumb, straight and square. The hinges are primarily for adjustment by the end user after the door has been in use. In some cases the hinges may need to be reset to the center of the adjustment range to correct movement that occurred during shipping/handling. Adjustable hinges are not intended to compensate for an improperly installed unit.

1. After establishing that the door frame is in a square and true condition inspect for even reveals between the door panels and frame. On XX and OXXO panels the tops of the panels should be even. See Figure 9.



Figure 9

2. Make horizontal adjustment first. To adjust panel(s) horizontally away from jamb, turn horizontal adjustment screw counter clockwise using 5/32" (4) Allen wrench provided. See Figure 10. To move the panel toward jamb, turn Allen screw clockwise. See Figure 11.

IMPORTANT

Make any vertical adjustments only after you have completed any horizontal adjustments.



Figure 10 Counterclockwise to move panel away from jamb.

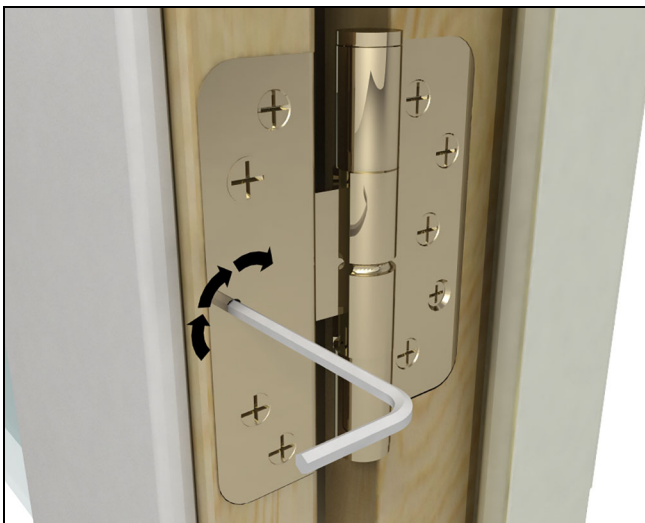


Figure 11 Clockwise to move panel toward jamb

3. To adjust the panel(s) vertically, turn the vertical adjustment screw clockwise using a 5/32" Allen wrench (provided). To lower the panel, turn the Allen screw counter-clockwise. See [Figure 12](#) and [Figure 13](#).



Figure 12 Raise the panel, clockwise adjustment



Figure 13 Lower the panel, counter-clockwise adjustment

Part Stop Removal and Replacement

This section will show how to remove and install the clad stationary and transom part stops

1. Starting at the top of the part stop insert a stiff putty knife or pry bar between the stop and frame. Gently press inward and pry the stop out of the exterior kerf. See Figure 14.

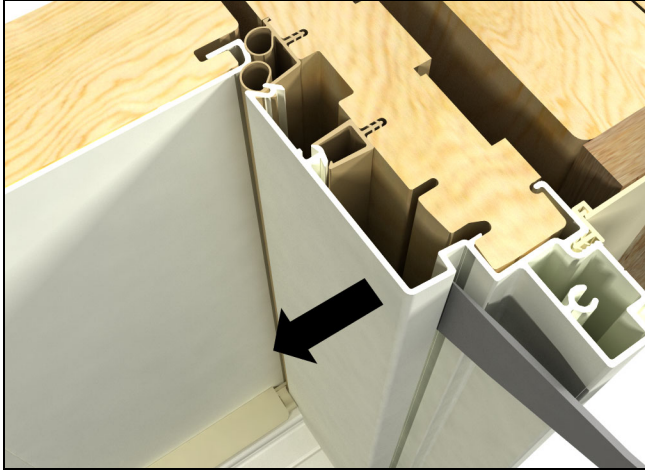


Figure 14 Need to update

2. Once the outer edge of the stop is loose, insert a pry bar all the way under the stop and pry the stop from the weather strip. See Figure 15.

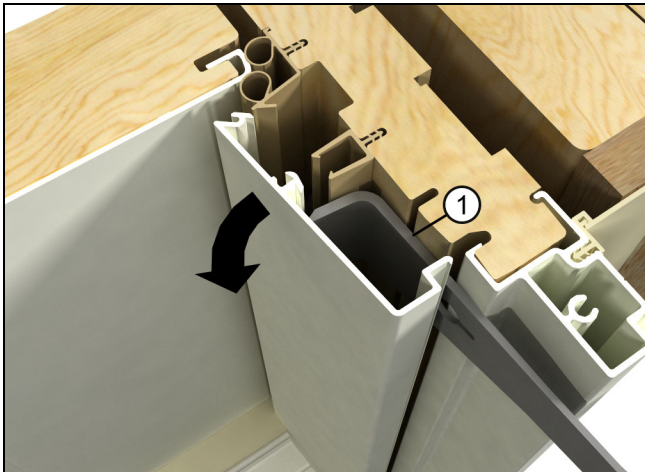


Figure 15 Need to update

1	Pry bar
---	---------

3. To reinstall the stop, slide the stop in at the bottom first between the bottom panel drip cap and jamb. Press the exterior flange of the side part stop into place first and then press the interior side of the stop until you can hear it snap along the entire length of the stop. Tuck the weather strip under the front edge of the stop. See Figure 16.

NOTE: During shipping the part stop may slip down. If this happens, we recommend inserting a pry bar between the sill and jamb part stop and gently pulling up on the pry bar to raise the part stop back into place.

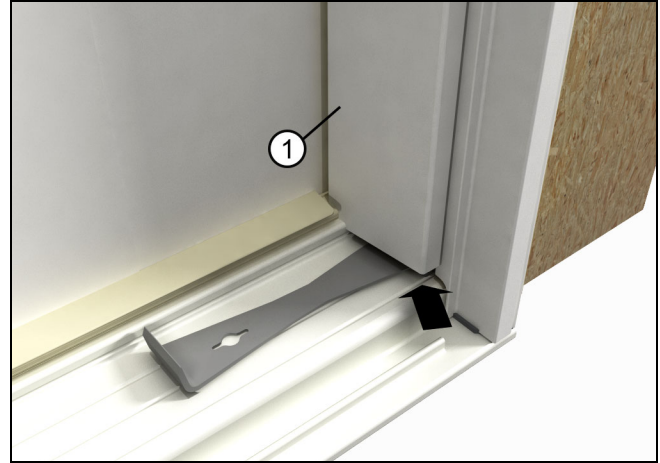


Figure 16

1	Part stop
---	-----------

NOTE: If you hear a “snap or pop”, this does not mean the stop is engaged with the weather strip. Proceed to tuck the weather strip under the stop after it snaps into place. See Figure 17 and Figure 18.

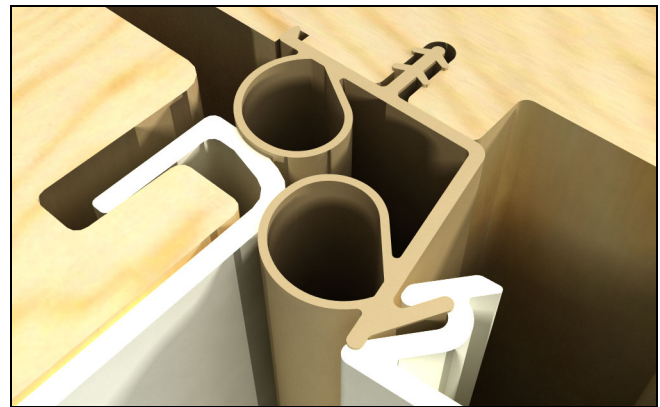


Figure 17 Correct

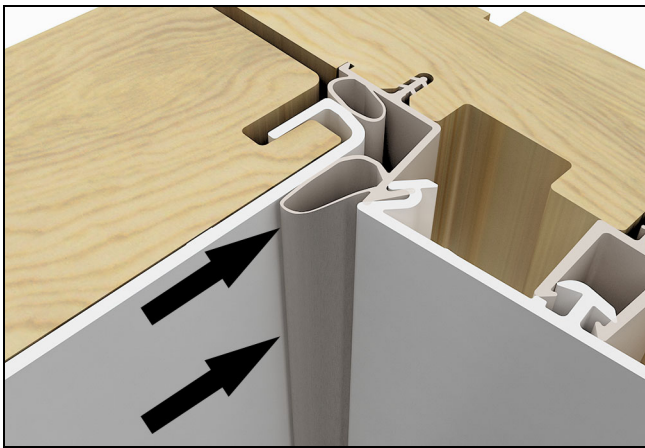


Figure 18 Incorrect: tuck weatherstrip UNDER part stop

4. Because the gap between the stationary panel and part stop is at a minimum, Marvin recommends using a

small pry bar or siding removal tool (shown) to help pull the weatherstrip into the part stop. See Figure 19.



Figure 19

Butt Hinge Adjustment

1. Doors equipped with butt hinges have 1/32" shims behind each leaf on all hinges (two shims/hinge). Horizontal panel adjustment is possible by removing or redistributing these shims.

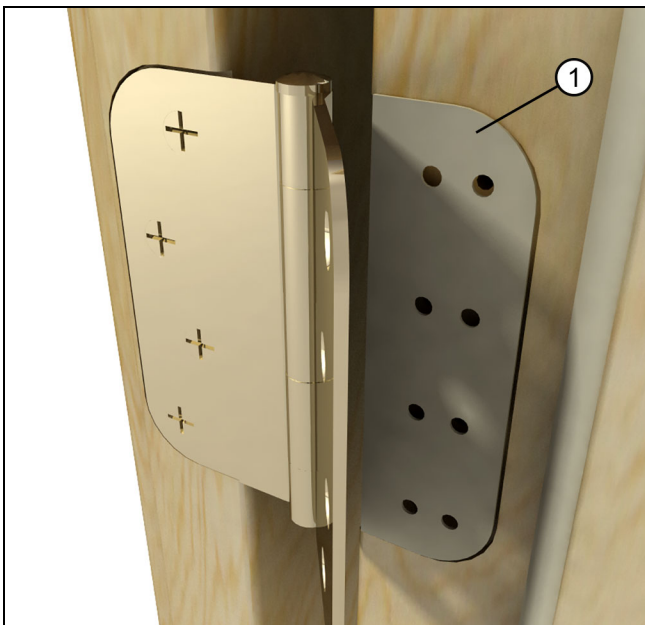


Figure 20

1	Shims
---	-------