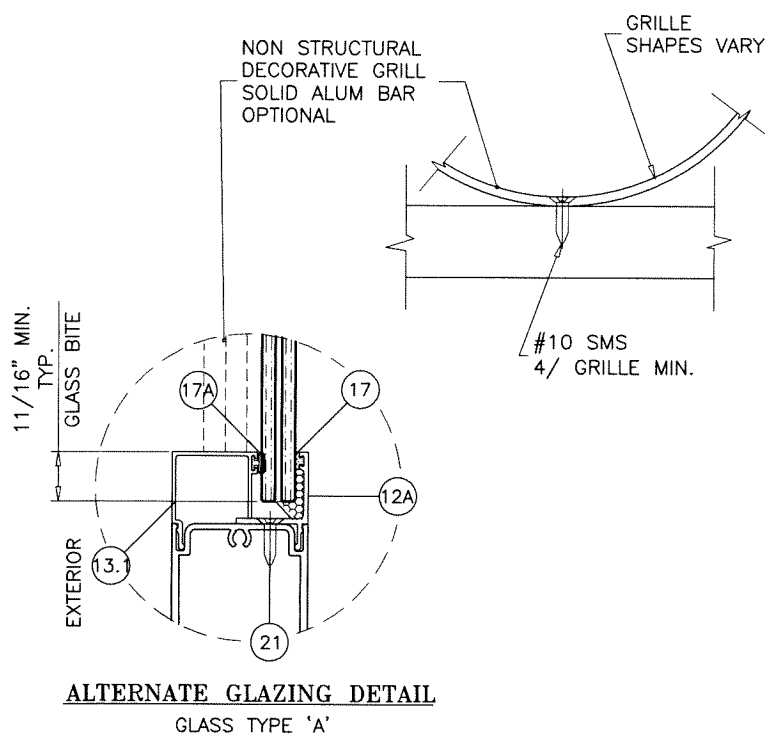


**GLASS TYPE 'A'**  
7/16" OVERALL LAM. GLASS

**GLASS TYPE 'A1'**  
1" OVERALL INSUL. LAM. GLASS

**GLAZING OPTIONS**



**ALTERNATE GLAZING DETAIL**  
GLASS TYPE 'A'

THESE DOORS ARE RATED FOR LARGE & SMALL MISSILE IMPACT.  
SHUTTERS ARE NOT REQUIRED.

**Coastline Outswing French Door Narrow Stile IZ4**

SINGLE (X) AND DOUBLE (XX) LEAF DOORS W/O TRANSOM SEE SHEET 2.  
SINGLE (O/X) AND DOUBLE (O/XX) LEAF DOORS WITH TRANSOMS SEE SHEET 3.  
SINGLE SIDELITE OR SIDELITES WITH SINGLE AND DOUBLE LEAF DOORS SEE SHEET 4.

LOWER VALUES FROM TRANSOM/SIDELITE CAPACITY CHART OR DOOR CAPACITY WILL APPLY TO ENTIRE SYSTEM.

SINGLE (X) AND DOUBLE (XX) DOORS WITH STANDARD AND LOW RISE THRESHOLDS APPROVED FOR INSTALLATIONS WHERE WATER INFILTRATION RESISTANCE IS REQUIRED.

SINGLE (X) DOORS WITH ADA THRESHOLD APPROVED FOR WATER INFILTRATION RESISTANCE.

DOUBLE (XX) DOORS WITH ADA THRESHOLD NOT APPROVED FOR WATER INFILTRATION RESISTANCE.

THIS PRODUCT HAS BEEN DESIGNED AND TESTED TO COMPLY WITH THE REQUIREMENTS OF THE 2020 (7TH EDITION)/2023 (8TH EDITION) FLORIDA BUILDING CODE INCLUDING HIGH VELOCITY HURRICANE ZONE (HVHZ).

1BY OR 2BY WOOD BUCKS & BUCK FASTENERS BY OTHERS, MUST BE DESIGNED AND INSTALLED ADEQUATELY TO TRANSFER APPLIED PRODUCT LOADS TO THE BUILDING STRUCTURE.

ANCHORS SHALL BE CORROSION RESISTANT, SPACED AS SHOWN ON DETAILS AND INSTALLED PER MANUF'S INSTRUCTIONS. SPECIFIED EMBEDMENT TO BASE MATERIAL SHALL BE BEYOND WALL DRESSING OR STUCCO.

A LOAD DURATION INCREASE IS USED IN DESIGN OF ANCHORS INTO WOOD ONLY.

ALL SHIMS TO BE HIGH IMPACT, NON-METALLIC AND NON-COMPRESSIBLE.

MATERIALS INCLUDING BUT NOT LIMITED TO STEEL/METAL SCREWS, THAT COME INTO CONTACT WITH OTHER DISSIMILAR MATERIALS SHALL MEET THE REQUIREMENTS OF THE 2020/2023 FLORIDA BLDG. CODE & ADOPTED STANDARDS.

THIS PRODUCT APPROVAL IS GENERIC AND DOES NOT PROVIDE INFORMATION FOR A SITE SPECIFIC PROJECT, i.e. LIFE SAFETY OF THIS PRODUCT, ADEQUACY OF STRUCTURE RECEIVING THIS PRODUCT AND SEALING AROUND OPENING FOR WATER INFILTRATION RESISTANCE ETC.

CONDITIONS NOT SHOWN IN THIS DRAWING ARE TO BE ANALYZED SEPARATELY, AND TO BE REVIEWED BY BUILDING OFFICIAL.

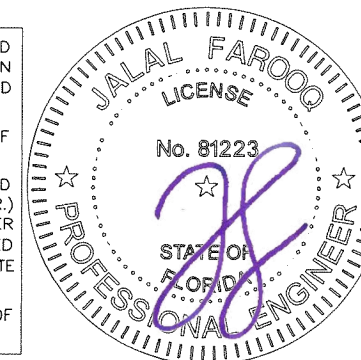
DESIGN LOADS SHOWN ARE BASED ON 'ALLOWABLE STRESS DESIGN (ASD)'.

MANUFACTURER'S LABEL SHALL BE LOCATED ON A READILY VISIBLE LOCATION IN ACCORDANCE WITH SECTION 1709.9.3 OF FLORIDA BUILDING CODE. LABELING TO COMPLY WITH SECTION 1709.9.2.

Sealed: 7/26/2023

FL #33689

A- CONTRACTOR TO BE RESPONSIBLE FOR THE SELECTION, PURCHASE AND INSTALLATION OF THIS PRODUCT BASED ON THIS PRODUCT EVALUATION PROVIDED HE/SHE DOES NOT DEVIATE FROM THE CONDITIONS DETAILED ON THIS DOCUMENT.  
B- THIS PRODUCT EVALUATION DOCUMENT WILL BE CONSIDERED INVALID IF ALTERED BY ANY MEANS.  
C- SITE SPECIFIC PROJECTS SHALL BE PREPARED BY A FLORIDA REGISTERED ENGINEER OR ARCHITECT WHICH WILL BECOME THE ENGINEER OF RECORD (E.O.R.) FOR THE PROJECT AND WHO WILL BE RESPONSIBLE FOR THE PROPER USE OF THE P.E.D. ENGINEER OF RECORD, ACTING AS A DELEGATED ENGINEER TO THE P.E.D. ENGINEER SHALL SUBMIT TO THIS LATTER THE SITE SPECIFIC DRAWINGS FOR REVIEW.  
D- THIS P.E.D. SHALL BEAR THE DATE AND ORIGINAL SEAL AND SIGNATURE OF THE PROFESSIONAL ENGINEER OF RECORD THAT PREPARED IT.



**af c**  
**AL-FAROOQ CORPORATION**  
ENGINEERS & PRODUCT DEVELOPMENT  
9360 SUNSET DRIVE, SUITE 220  
MIAMI, FLORIDA 33173 (C.A.N. 3538)  
TEL. (305) 264-8100 FAX. (305) 262-6978  
COMP-ANL\W17-50SIW

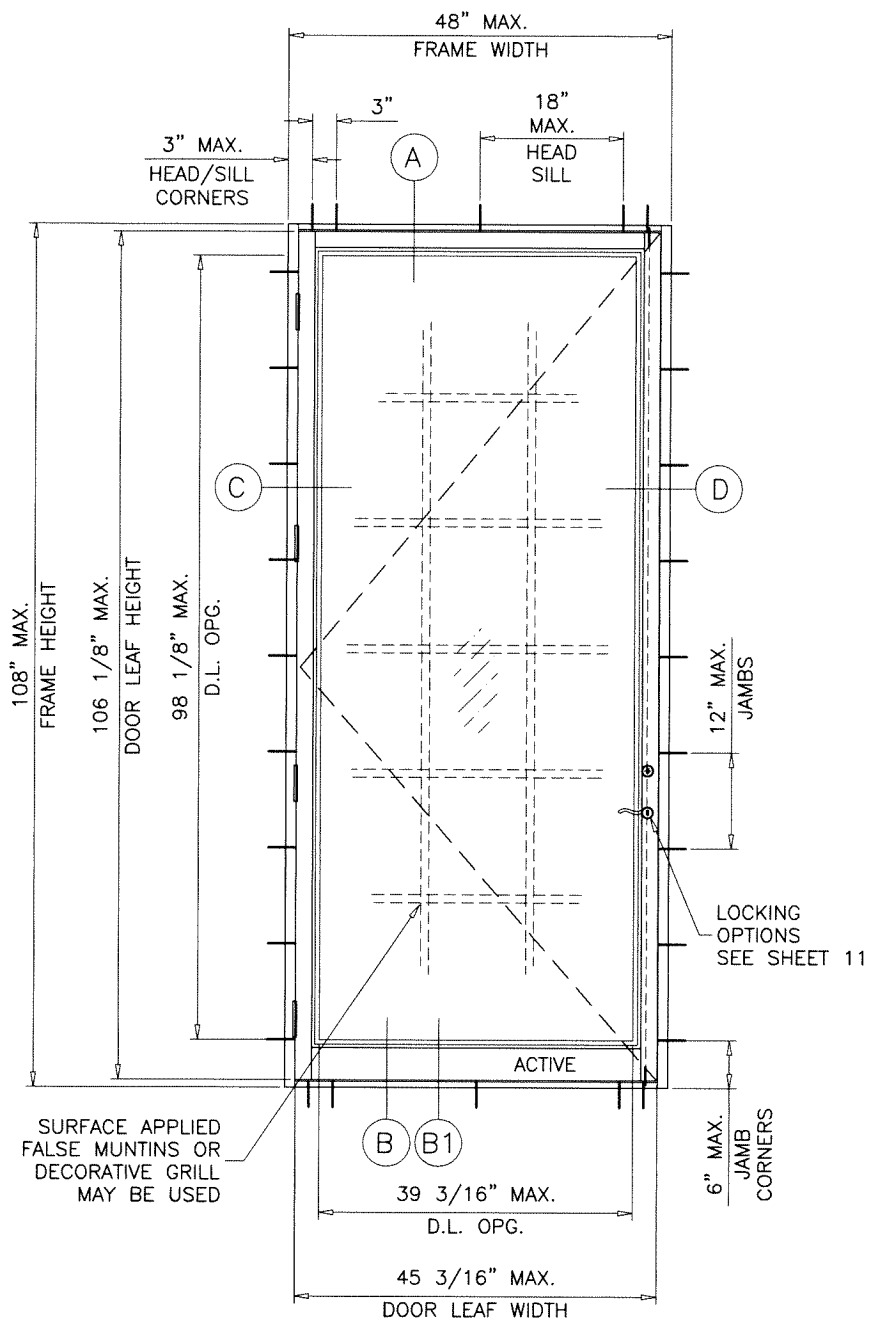
Coastline Outswing French Door Narrow Stile IZ4  
**MARVIN**  
PO Box 100, 401 State Ave. N.  
Warroad, MN. 56763  
Tel. (218) 386-1430 Ext. 2143

no	date	description
A	11.10.17	UPDATED TO 2017 FBC
B	12.18.18	COMPANY NAME REV.
C	08.26.20	UPDATED TO 2020 FBC
D	08.11.22	PVB INTERLAYER OPTION ADDED
E	07.25.23	UPDATED TO 2023 FBC

date: 05-16-17  
scale: 1/2"=1'-0"  
dr. by: TARIQ  
chk. by:

drawing no.  
**W17-50**

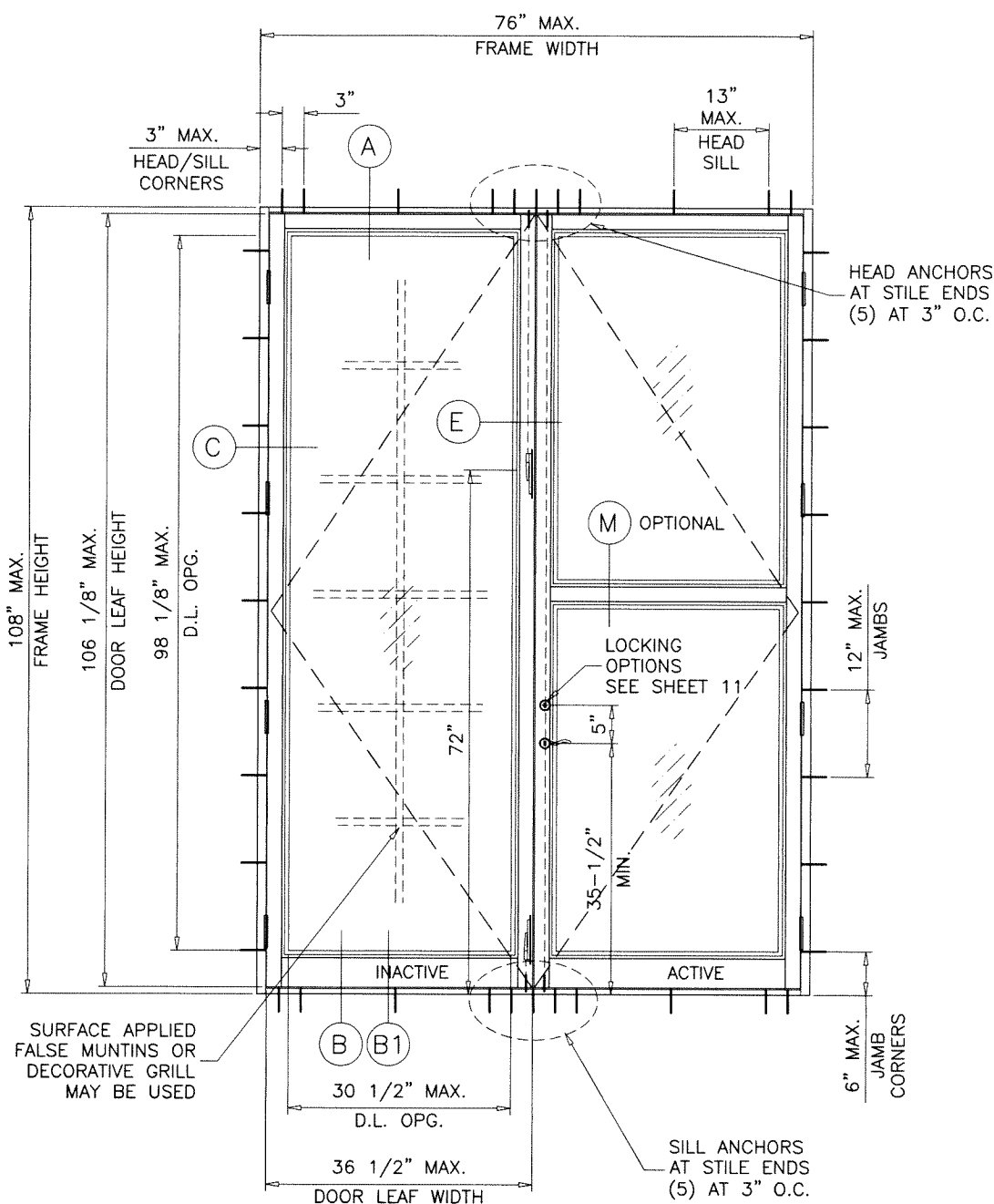
sheet 1 of 13



**TYPICAL ELEVATION**

( X )

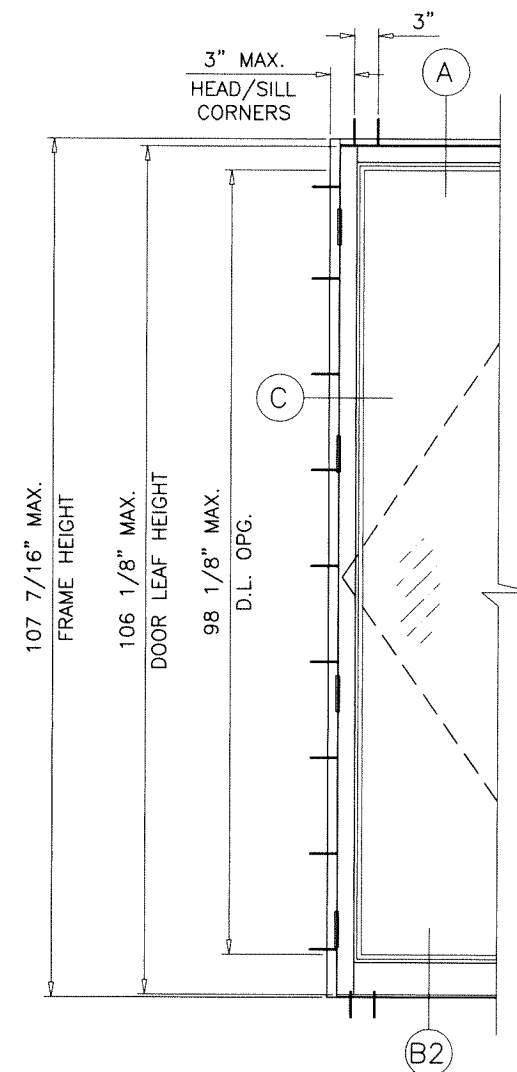
STD. & LOW RISE THRESHOLD



**TYPICAL ELEVATION**

( XX )

STD. & LOW RISE THRESHOLD



( X ) OR ( XX ) DOORS  
ADA THRESHOLD OPTION

SINGLE DOORS LOAD CAPACITY - PSF						
FRAME		LEAF		THRESHOLD TYPES	EXT.(+)	INT.(-)
WIDTH	HEIGHT	WIDTH	HEIGHT			
48"	108"	45-3/16"	106-1/8"	STD. & LOW RISE	50.0	60.0
48"	107-7/16"	45-3/16"	106-1/8"	ADA	50.0	60.0

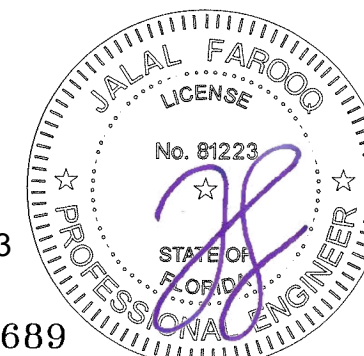
DOUBLE DOORS LOAD CAPACITY - PSF						
FRAME		LEAF		THRESHOLD TYPES	EXT.(+)	INT.(-)
WIDTH	HEIGHT	WIDTH	HEIGHT			
76"	108"	36-1/2"	106-1/8"	STD. & LOW RISE	50.0	60.0
76"	107-7/16"	36-1/2"	106-1/8"	ADA	50.0	60.0

NOTE:  
GLASS CAPACITIES ON THIS SHEET ARE  
BASED ON ASTM E1300-09 (3 SEC. GUSTS)  
AND FLORIDA BUILDING COMMISSION  
DECLARATORY STATEMENT DCA05-DEC-219

GLASS D.L.O. FORMULAE:  
 D.L.O. WIDTH = FRAME WIDTH - 8.813" (X DOORS)  
 = (FRAME WIDTH - 15.0")/2 (XX DOORS)  
 D.L.O. HEIGHT = FRAME HEIGHT - 9.875" (STD. & LOW RISE SILL)  
 = FRAME HEIGHT - 9.313" (ADA SILL)  
 LEAF HEIGHT = FRAME HEIGHT - 1.875" (STD. & LOW RISE SILL)  
 = FRAME HEIGHT - 1.313" (ADA SILL)

Sealed: 7/26/2023

FL #33689



**AL-FAROOQ CORPORATION**  
ENGINEERS & PRODUCT DEVELOPMENT  
9360 SUNSET DRIVE, SUITE 220  
MIAMI, FLORIDA 33173 (C.A.N. 3538)  
TEL. (305) 264-8100 FAX. (305) 262-6978  
COMP-ANL\W17-50SIW

Coastline Outswing French Door Narrow Stile IZ4



PO Box 100, 401 State Ave. N.  
Warroad, MN. 56763  
Tel. (218) 386-1430 Ext. 2143

revisions:  
no date by description

date: 05-16-17  
scale: 1/2"=1'-0"

dr. by: TARIQ

chk. by:

drawing no.

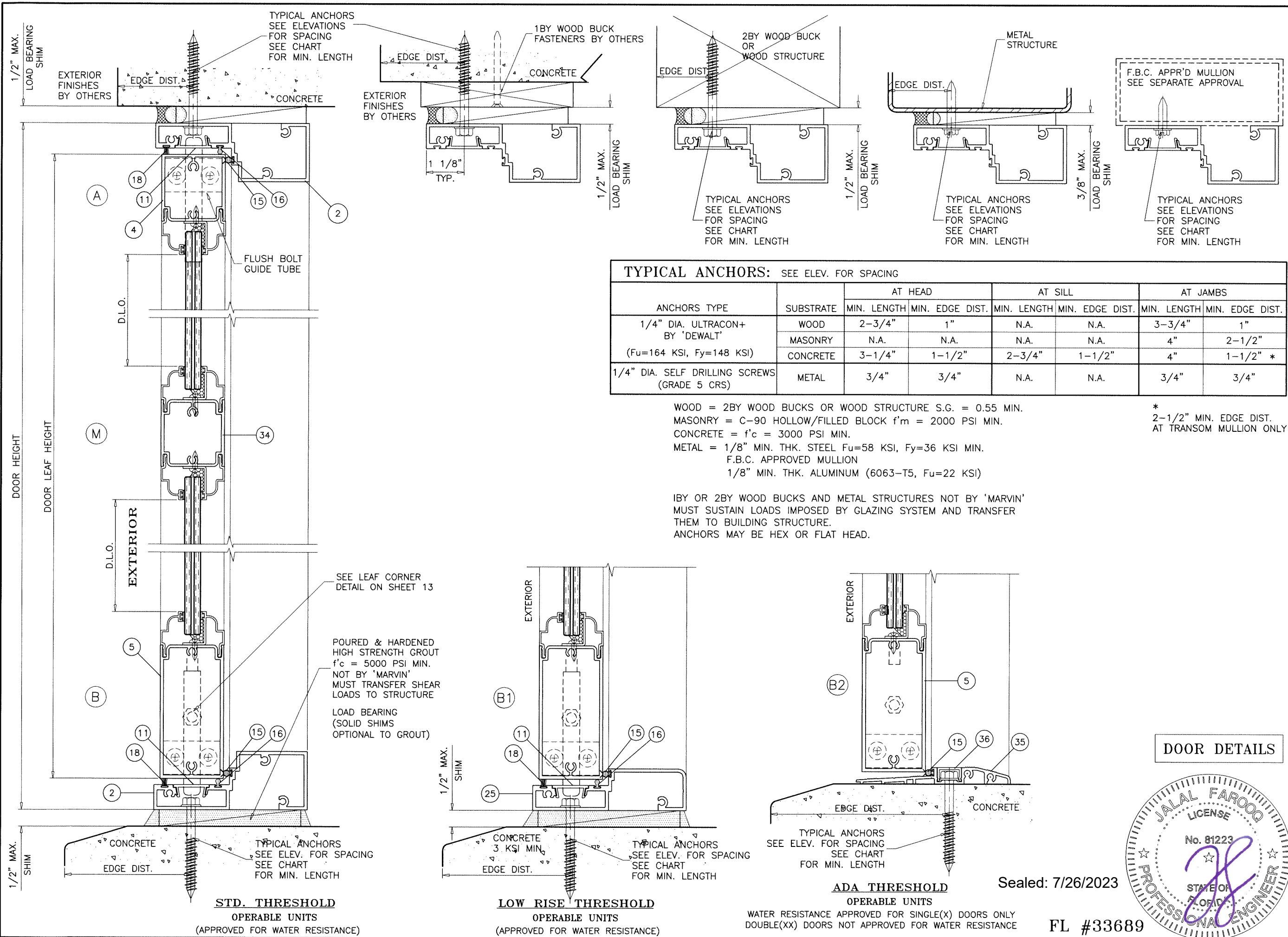
W17-50

sheet 2 of 13









**TYPICAL ANCHORS:** SEE ELEV. FOR SPACING

ANCHORS TYPE	SUBSTRATE	AT HEAD		AT SILL		AT JAMBS	
		MIN. LENGTH	MIN. EDGE DIST.	MIN. LENGTH	MIN. EDGE DIST.	MIN. LENGTH	MIN. EDGE DIST.
1/4" DIA. ULTRACON+ BY 'DEWALT' (Fu=164 KSI, Fy=148 KSI)	WOOD	2-3/4"	1"	N.A.	N.A.	3-3/4"	1"
	MASONRY	N.A.	N.A.	N.A.	N.A.	4"	2-1/2"
	CONCRETE	3-1/4"	1-1/2"	2-3/4"	1-1/2"	4"	1-1/2" *
1/4" DIA. SELF DRILLING SCREWS (GRADE 5 CRS)	METAL	3/4"	3/4"	N.A.	N.A.	3/4"	3/4"

WOOD = 2BY WOOD BUCKS OR WOOD STRUCTURE S.G. = 0.55 MIN.  
 MASONRY = C-90 HOLLOW/FILLED BLOCK f'm = 2000 PSI MIN.  
 CONCRETE = f'c = 3000 PSI MIN.  
 METAL = 1/8" MIN. THK. STEEL Fu=58 KSI, Fy=36 KSI MIN.  
 F.B.C. APPROVED MULLION  
 1/8" MIN. THK. ALUMINUM (6063-T5, Fu=22 KSI)

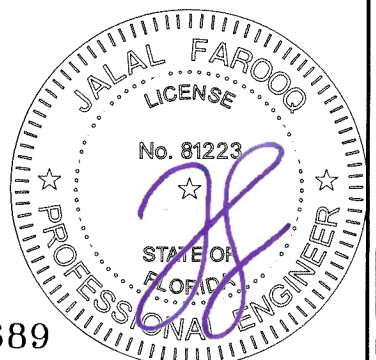
\* 2-1/2" MIN. EDGE DIST. AT TRANSOM MULLION ONLY

1BY OR 2BY WOOD BUCKS AND METAL STRUCTURES NOT BY 'MARVIN'  
 MUST SUSTAIN LOADS IMPOSED BY GLAZING SYSTEM AND TRANSFER THEM TO BUILDING STRUCTURE.  
 ANCHORS MAY BE HEX OR FLAT HEAD.

**afc**  
**AL-FAROOQ CORPORATION**  
 ENGINEERS & PRODUCT DEVELOPMENT  
 9360 SUNSET DRIVE, SUITE 220  
 MIAMI, FLORIDA 33173 (C.A.N. 3538)  
 TEL. (305) 264-8100 FAX. (305) 262-6978  
 COMP-ANL\W17-50SIW

Coastline Outswing French Door Narrow Stile IZ4  
**MARVIN**  
 PO Box 100, 401 State Ave. N.  
 Warroad, MN. 56763  
 Tel. (218) 386-1430 Ext. 2143

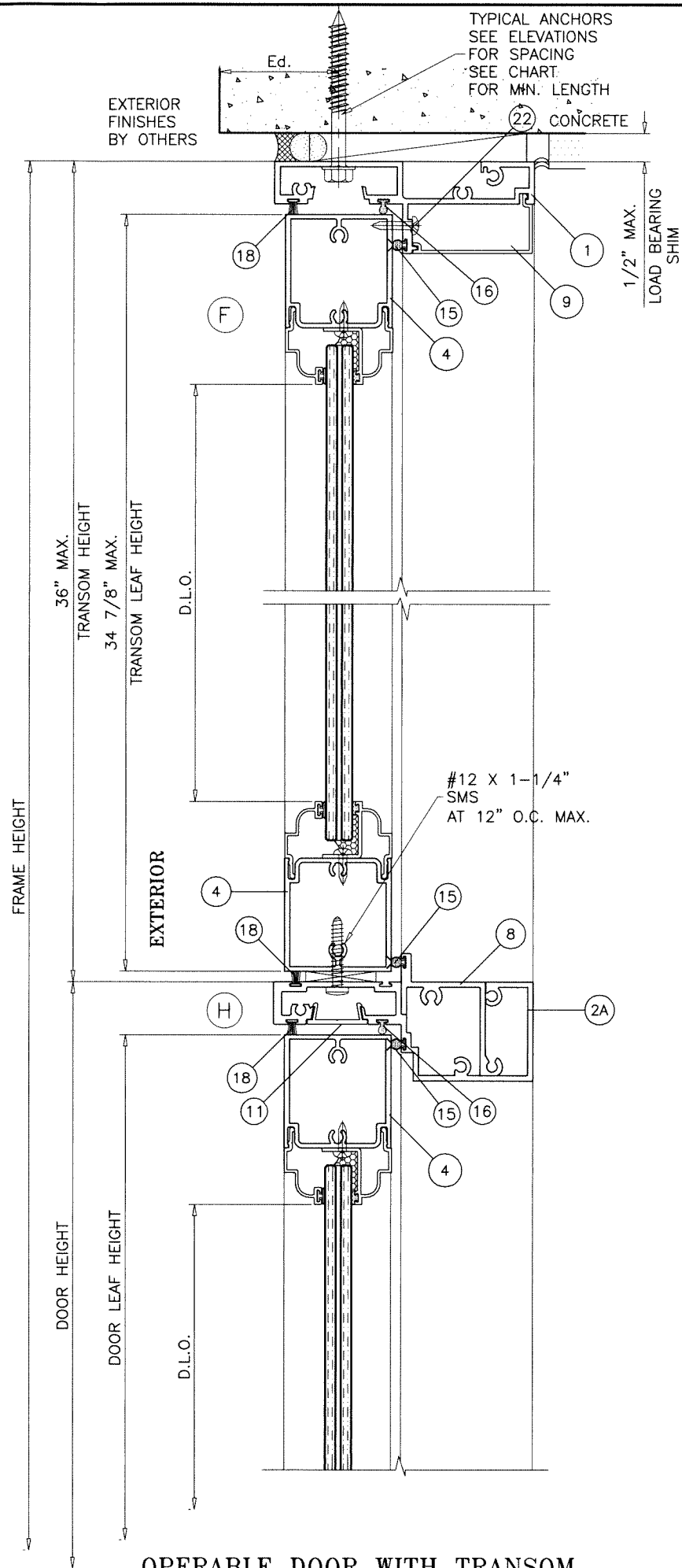
revisions:	no	date	by	description
date:	05-16-17	scale:	3/8" = 1"	
dr. by:	TARIQ	chk. by:		
drawing no.	W17-50			
sheet	6 of 13			



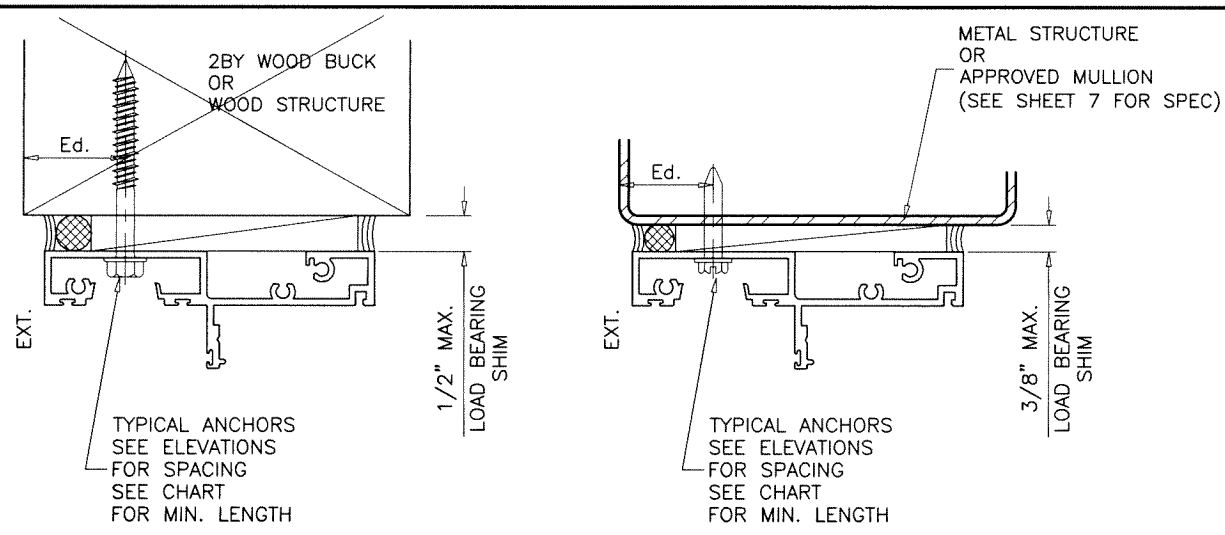
Sealed: 7/26/2023

FL #33689

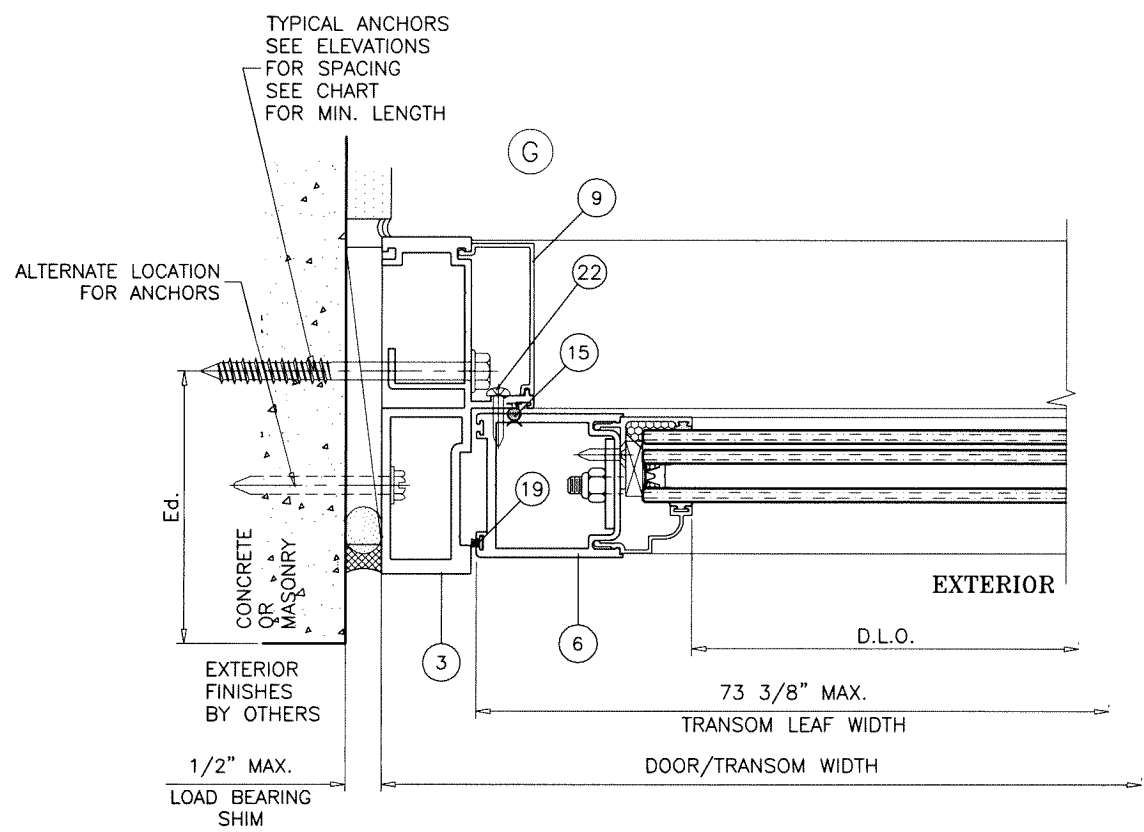




OPERABLE DOOR WITH TRANSOM

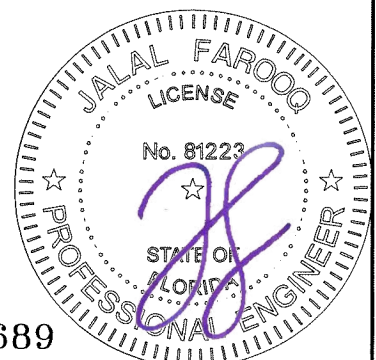


TRANSOM HEAD FRAME



TRANSOM DETAILS

Sealed: 7/26/2023



FL #33689



**AL-FAROOQ CORPORATION**  
 ENGINEERS & PRODUCT DEVELOPMENT  
 9360 SUNSET DRIVE, SUITE 220  
 MIAMI, FLORIDA 33173 (C.A.N. 3538)  
 TEL. (305) 264-8100 FAX. (305) 262-6978  
 COMP-ANL\W17-50SIW

---

Coastline Outswing French Door Narrow Stile IZ4



**MARVIN**  
 PO Box 100, 401 State Ave. N.  
 Warroad, MN. 56763  
 Tel. (218) 386-1430 Ext. 2143

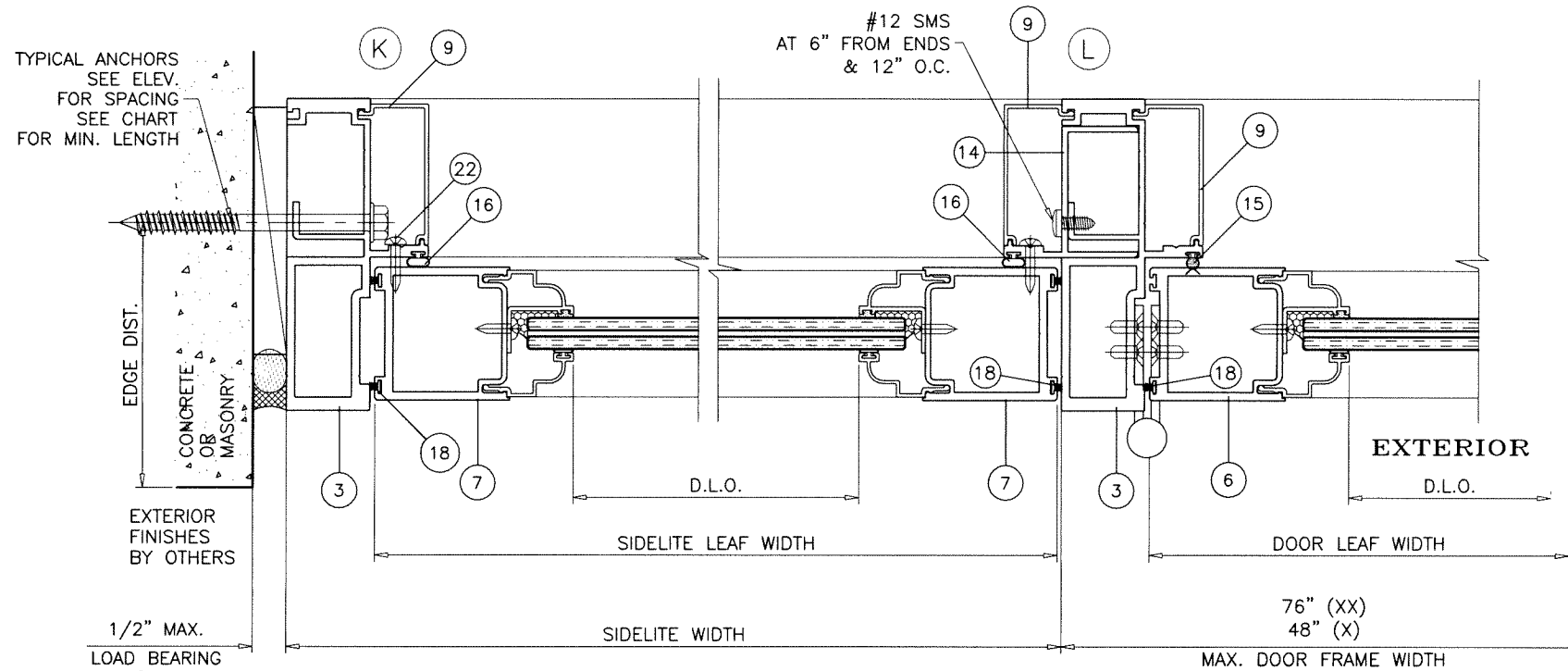
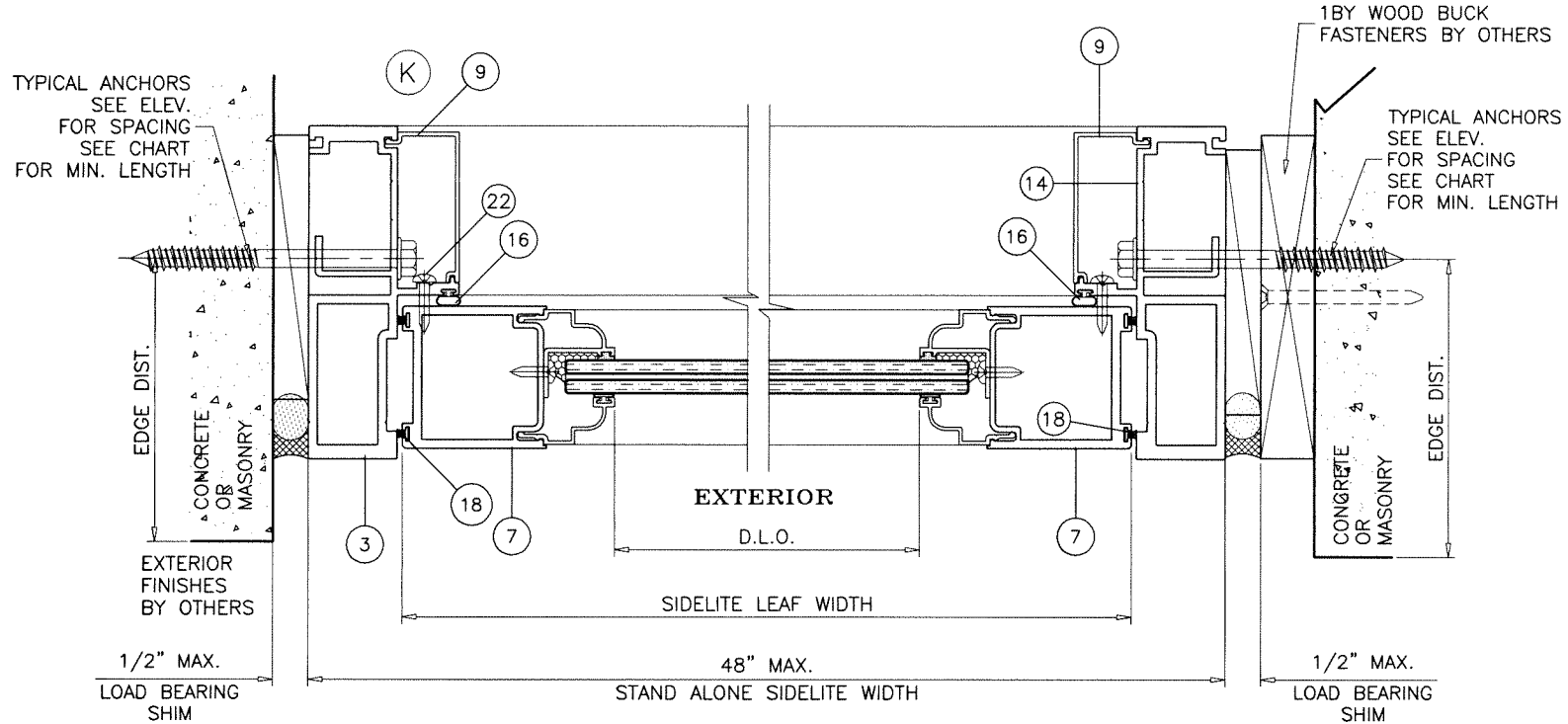
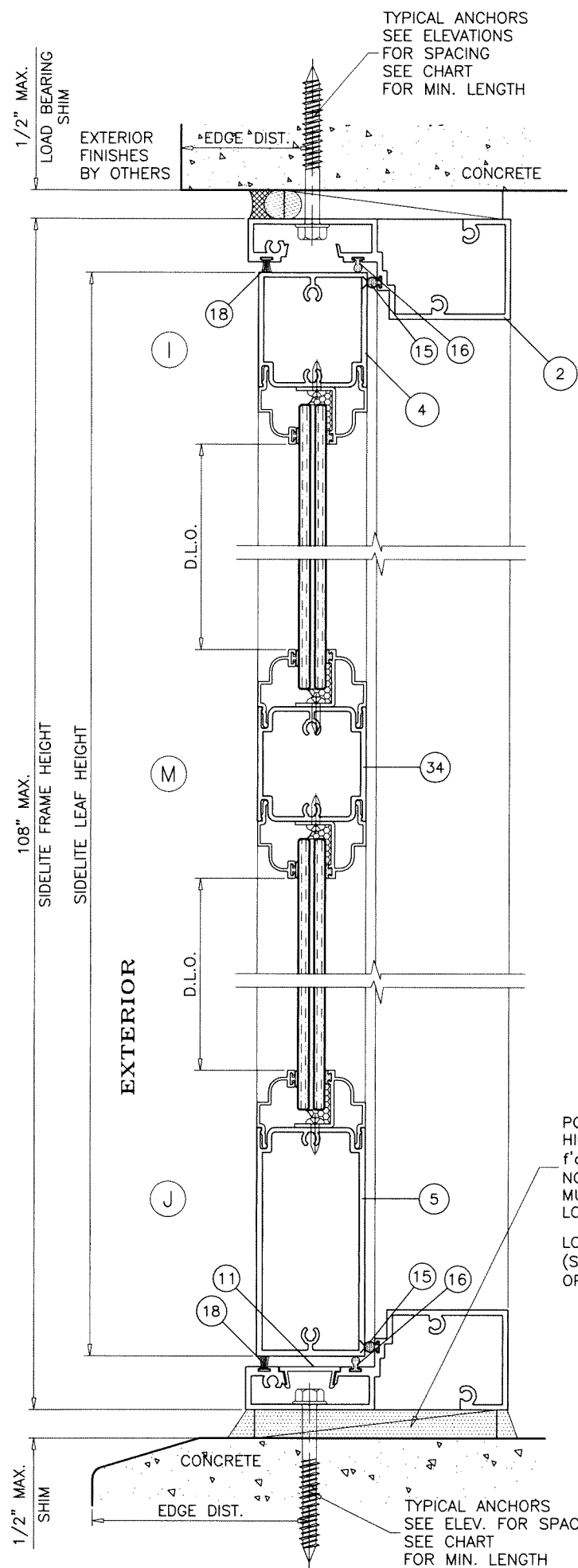
revisions:	
no	date by description

date: 05-16-17  
 scale: 3/8" = 1"  
 dr. by: TARIQ  
 chk. by:  

drawing no.  
**W17-50**

sheet 8 of 13





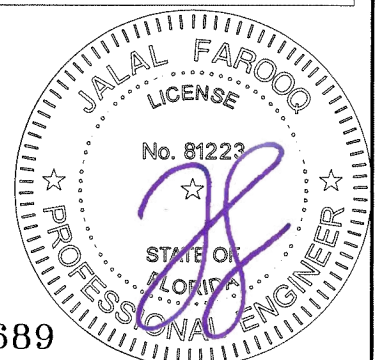
SIDELITE DETAILS

SIDELITE WITH DOOR DETAILS

NOTE:  
MAX. FRAME AREA OF ALTERNATE SIZE NOT TO EXCEED=127.31 SQ. FT.

Sealed: 7/26/2023

FL #33689



**af c**  
**AL-FAROOQ CORPORATION**  
ENGINEERS & PRODUCT DEVELOPMENT  
9360 SUNSET DRIVE, SUITE 220  
MIAMI, FLORIDA 33173  
TEL. (305) 264-8100 FAX. (305) 262-6978  
C.A.N. 3538

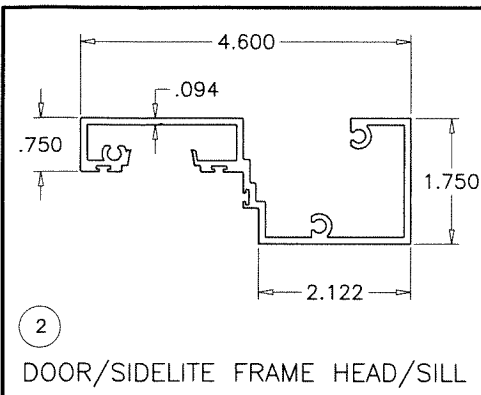
Coastline Outswing French Door Narrow Stile IZ4  
**MARVIN**  
PO Box 100, 401 State Ave. N.  
Warroad, MN. 56763  
Tel. (218) 386-1430 Ext. 2143

revisions:	no	date	by	description

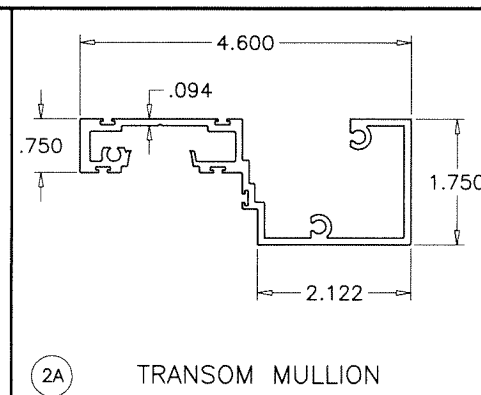
date: 05-16-17  
scale: 3/8" = 1"  
dr. by: TARIQ  
chk. by:

drawing no.  
**W17-50**

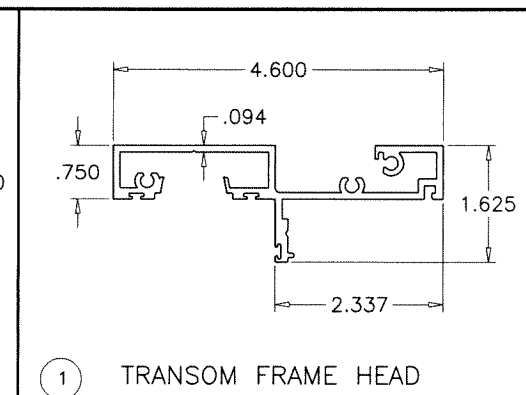
sheet 9 of 13



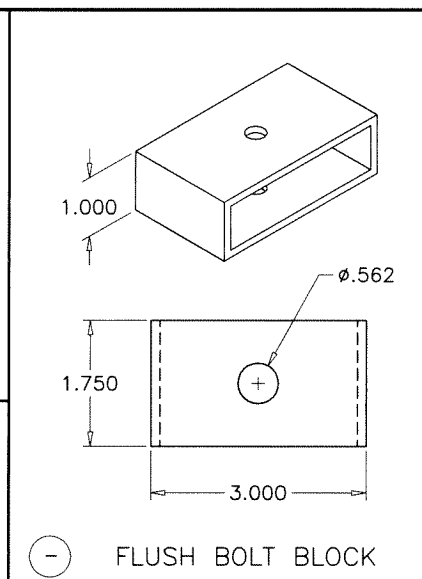
2 DOOR/SIDELITE FRAME HEAD/SILL



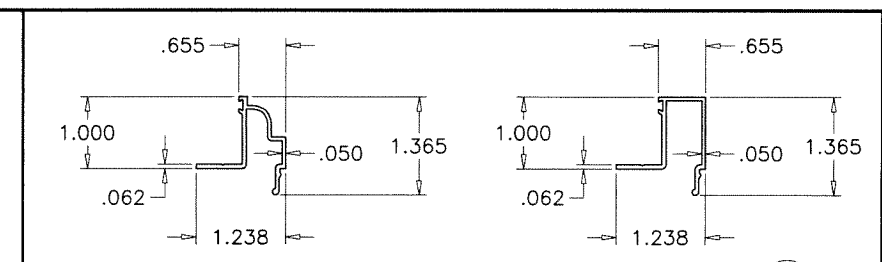
2A TRANSOM MULLION



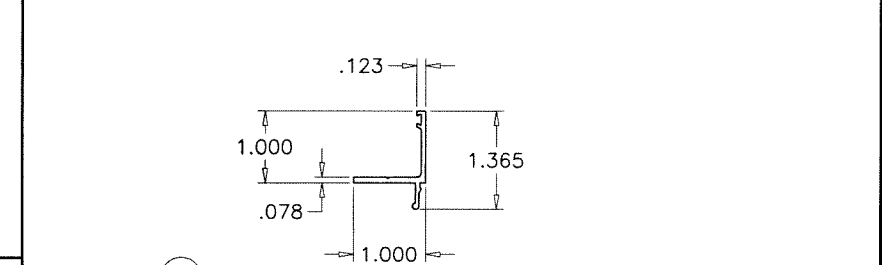
1 TRANSOM FRAME HEAD



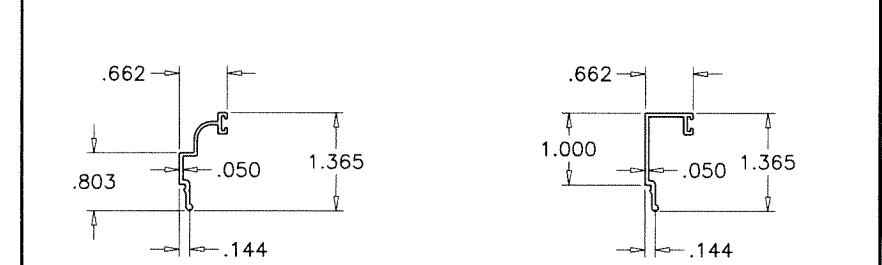
- FLUSH BOLT BLOCK



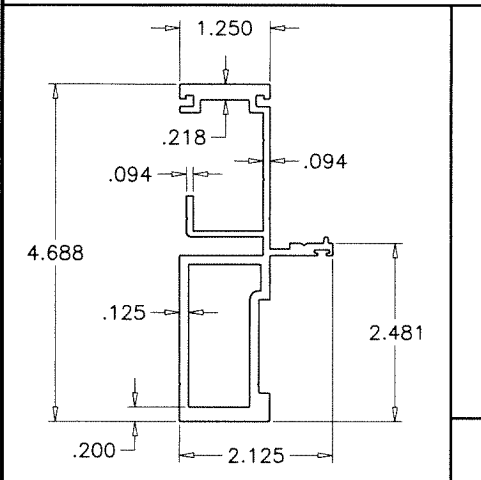
12 INT. GLASS STOP (LAM. GLASS)



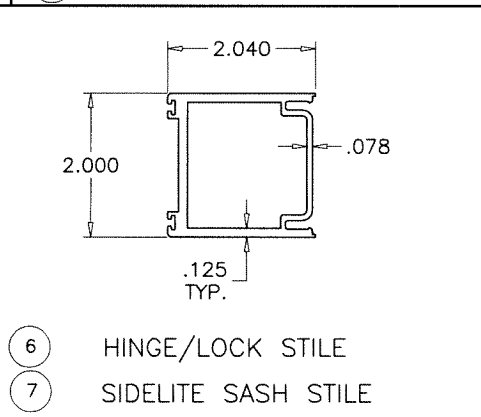
12A INT. GLASS STOP (INSUL. LAM. GLASS)



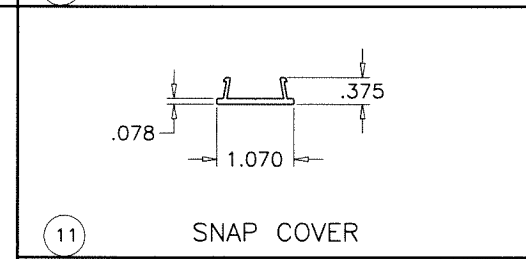
13 EXTERIOR GLASS STOP



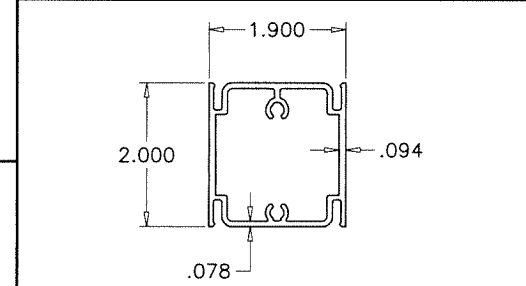
3 FRAME JAMB



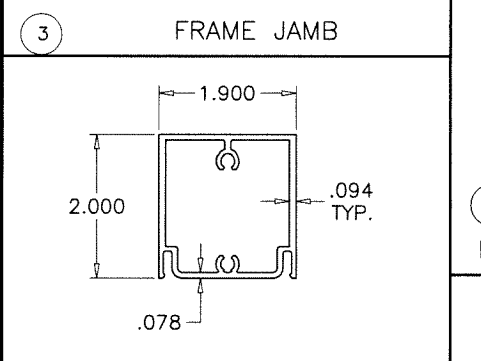
6 HINGE/LOCK STILE  
7 SIDELITE SASH STILE



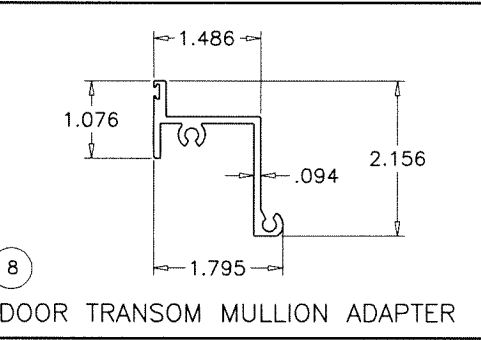
11 SNAP COVER



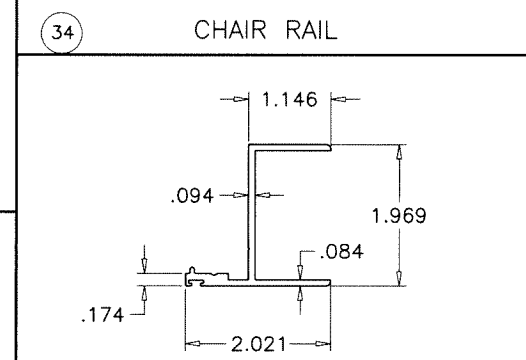
34 CHAIR RAIL



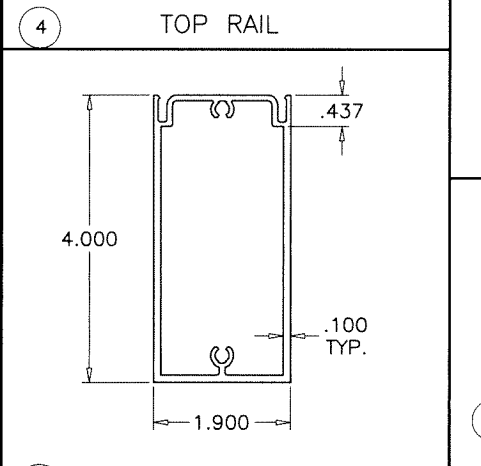
4 TOP RAIL



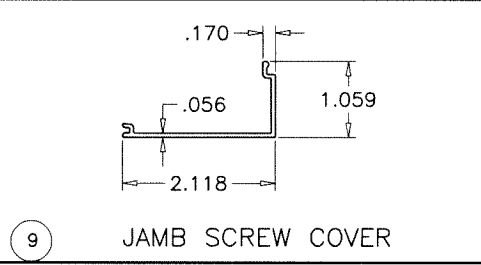
8 DOOR TRANSOM MULLION ADAPTER



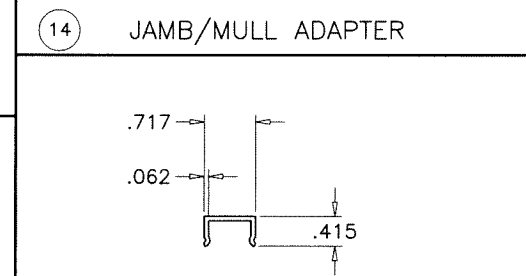
14 JAMB/MULL ADAPTER



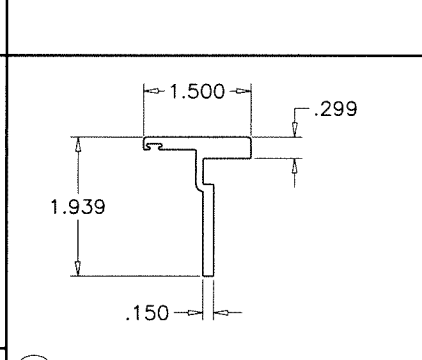
5 BOTTOM RAIL



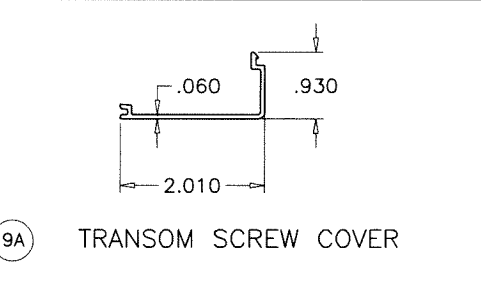
9 JAMB SCREW COVER



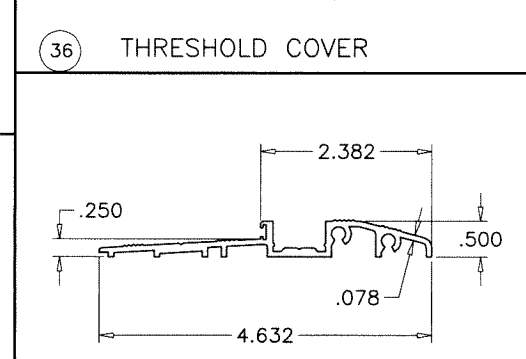
36 THRESHOLD COVER



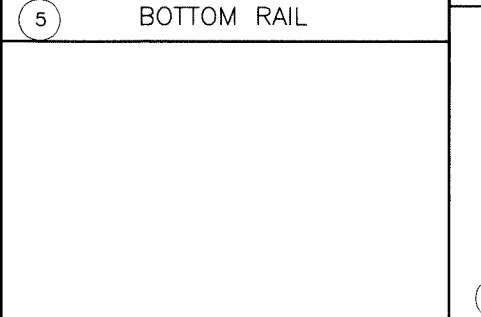
10 DOUBLE DOOR ASTRAGAL



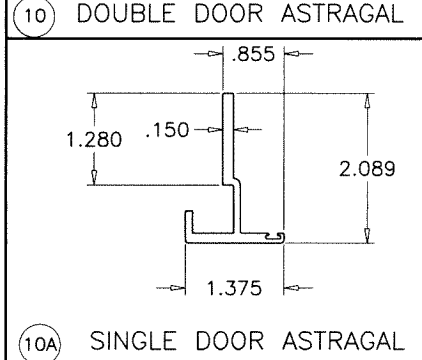
9A TRANSOM SCREW COVER



35 ADA THRESHOLD



25 LOW RISE THRESHOLD



10A SINGLE DOOR ASTRAGAL

**af c**  
**AL-FAROOQ CORPORATION**  
 ENGINEERS & PRODUCT DEVELOPMENT  
 9360 SUNSET DRIVE, SUITE 220  
 MIAMI, FLORIDA 33173 (C.A.N. 3538)  
 TEL. (305) 264-8100 FAX. (305) 262-6978  
 COMP-ANL\W17-50SIW

Coastline Outswing French Door Narrow Stile IZ4  
**MARVIN**  
 PO Box 100, 401 State Ave. N.  
 Warroad, MN. 56763  
 Tel. (218) 386-1430 Ext. 2143

revisions:	no	date	by	description

date: 05-16-17  
 scale: 3/8" = 1"  
 dr. by: TARIQ  
 chk. by:

drawing no.  
**W17-50**  
 sheet 10 of 13

Sealed: 7/26/2023

FL #33689



**LOCK OPTIONS 1 & 2**

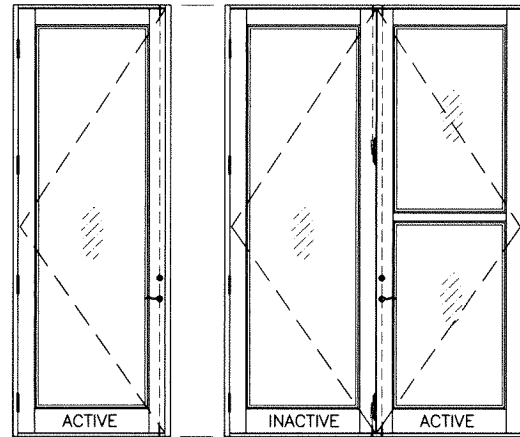
**ACTIVE LEAF:**

**OPTION #1:**  
3 POINT LOCK ASSEMBLY (SERIES 2222) BY 'REGENT' WITH HOOK BOLT AT 36" FROM BOTTOM FLUSH BOLTS CONNECTED TO LOCK KEY OPERATED ON EXTERIOR AND THUMB TURN ON INTERIOR AND ENGAGING FRAME AT HEAD AND SILL

**OPTION #2:**  
LOCK ASSEMBLY (DL01-6014) BY 'INTERLOCK USA' WITH THROW BOLT AT 35-1/2" FROM BOTTOM FLUSH BOLTS CONNECTED TO LOCK KEY OPERATED ON EXTERIOR AND THUMB TURN ON INTERIOR AND ENGAGING FRAME AT HEAD AND SILL

**INACTIVE LEAF**

CONCEALED FLUSH BOLTS (FB-1202-914) BY 'SULLIVAN & ASSOC.' MANUALLY OPERATED LEVERS MOUNTED ON INSIDE FACE OF LEAF STILE LOCATED AT 13-1/2" FROM BOTTOM AND 34" FROM TOP



**HINGES:**

4" X 4" ST. STEEL BUTT HINGES DELTANA (DSB4NB OR SD44HD) AT 13" FROM TOP AND BOTTOM ENDS AND 26-5/8" O.C. MAX. HINGE ATTACHED TO DOOR FRAME AND DOOR STILE USING (4) #12 X 1" FH MS  
3 HINGES PER LEAF UPTO 6/8 HIGH DOORS  
4 HINGES PER LEAF DOORS HIGHER THAN 6/8

**SEALANTS:**

ALL JOINTS AND FRAME CONNECTIONS SEALED WITH SMALL JOINT SEALER.

ITEM #	PART #	REQD.	DESCRIPTION	MATERIAL	MANUF./SUPPLIER/REMARKS
1	SIW523	AS REQD.	FRAME TRANSOM HEAD	6063-T6	ALTERNATE TO 2
2	SIW505	1	DOOR/SIDELITE FRAME HEAD/SILL	6063-T6	-
2A	SIW505B	1	TRANSOM MULLION	6063-T6	-
3	SIW506	2/DOOR	FRAME JAMB	6063-T6	-
4	SIW549	1/ LEAF	DOOR TOP/BOTTOM RAIL	6063-T6	-
5	SIW502	1/ LEAF	DOOR BOTTOM RAIL	6063-T6	SEE SHEET 13
6	SIW507	2/ LEAF	HINGE STILE/LOCK STILE	6063-T6	-
7	SIW507	2/ LEAF	SIDELITE SASH STILE	6063-T6	-
8	SIW542	AS REQD.	DOOR TRANSOM MULLION ADAPTER	6063-T6	-
9	SIW511	AS REQD.	SCREW COVER	6063-T6	JAMB & TRANSOM
10	SIW509	AS REQD.	DOUBLE DOOR ASTRAGAL	6063-T6	-
10A	SIW535	AS REQD.	SINGLE DOOR ASTRAGAL	6063-T6	-
11	SIW510	AS REQD.	SCREW COVER	6063-T5	-
12	SIW512	AS REQD.	INTERIOR GLASS STOP (LAM. GLASS)	6063-T5	-
12.1	SIW540	AS REQD.	INTERIOR GLASS STOP SQUARE (LAM. GLASS)	6063-T5	-
12A	DWF-024	AS REQD.	INTERIOR GLASS STOP (INSUL. LAM. GLASS)	6063-T5	-
13	SIW513	AS REQD.	EXTERIOR GLASS STOP	6063-T6	-
13.1	SIW541	AS REQD.	EXTERIOR GLASS STOP SQUARE	6063-T6	-
14	SIW504	AS REQD.	DOOR JAMB/MULL ADAPTER	6063-T6	-
15	9016E	-	BULB W'STRIPPING	VINYL	CENTRAL PLSTICS
16	U4513	-	Q-LON W'STRIPPING	VINYL	SCHLEGEL
17	E20218	AS REQD.	INTERIOR GLAZING GASKET (DUROMETER 70±5)	TPE	ULTRAFAB
17A	5530	AS REQD.	EXTERIOR GLAZING GASKET (DUROMETER 70±5)	SANTOPRENE	CENTRAL PLASTICS
18	W23201NW0020	AS RQD.	FINSEAL PILE W'STRIPPING	-	ULTRAFAB
20	#8 X 1/2"	-	ASTRAGAL SCREWS PH SMS	-	AT 4" FROM ENDS & 8" O.C.
21	#8 X 1/2"	AS REQD.	GLASS STOP SCREWS SELF DRILLING	-	AT 6" FROM ENDS & 14-1/4" O.C. MAX.
22	#12 X 1-1/4"	-	FIX. PANEL SCREWS PH SMS	-	AT 6" FROM ENDS & 17" O.C. MAX.
24	SD44HD	4/LEAF	BUTT HINGES	ST. STEEL	DELTANA
25	SIW515	1	LOW RISE THRESHOLD	6063-T6	-
26	#12 X 4"	1/ CORNER	FRAME ASSEMBLY SCREWS	ST. STEEL	PH SMS
27	#12 X 2"	AS REQD.	FRAME AND LEAF ASSEMBLY SCREWS	ST. STEEL	PH SMS
28	#12 X 1/2"	AS REQD.	HINGE ASSEMBLY SCREWS	ST. STEEL	FH MS TYPE F SS
31	SIW521	-	FLUSH BOLT BLOCK	6063-T6	-
32	#2	-	FLUSH BOLTS	-	SULLIVAN & ASSOC.
34	SIW539	-	2" CHAIR RAIL	6063-T6	-
35	SIW546	1	ADA THRESHOLD	6063-T6	-
36	SIW547	1	THRESHOLD COVER	6063-T6	-
37	-	AS REQD.	SETTING BLOCKS AT 1/4 POINTS	EPDM	DUROMETER 85±5 SHORE A

**af c**  
**AL-FAROOQ CORPORATION**  
ENGINEERS & PRODUCT DEVELOPMENT  
9360 SUNSET DRIVE, SUITE 220  
MIAMI, FLORIDA 33173 (C.A.N. 3538)  
TEL. (305) 264-8100 FAX. (305) 262-6978  
COMP-ANL\W17-50SIW

Coastline Outswing French Door Narrow Stile IZ4  
**MARVIN**  
PO Box 100, 401 State Ave. N.  
Warroad, MN. 56763  
Tel. (218) 386-1430 Ext. 2143

revisions:	no	date	by	description

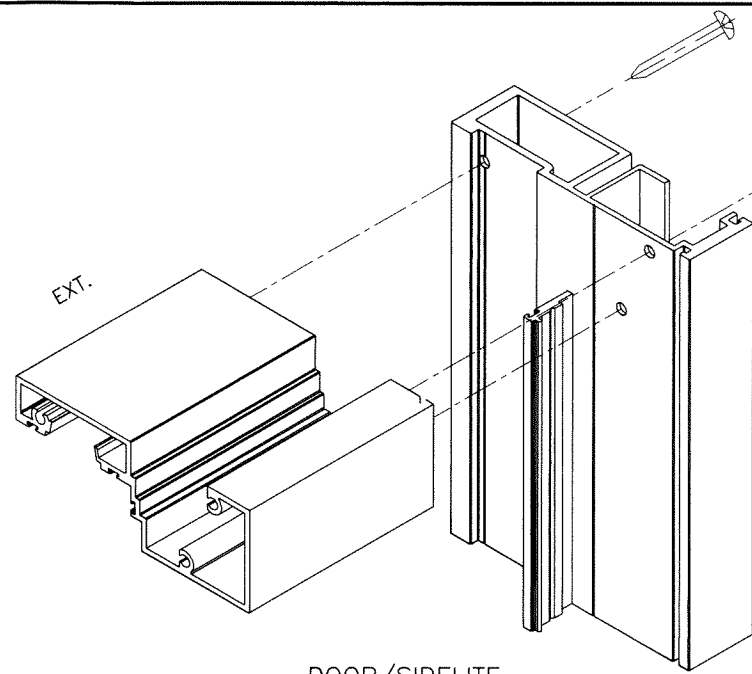
date: 05-16-17  
scale: 3/8" = 1"  
dr. by: TARIQ  
chk. by:

drawing no.  
**W17-50**  
sheet 11 of 13

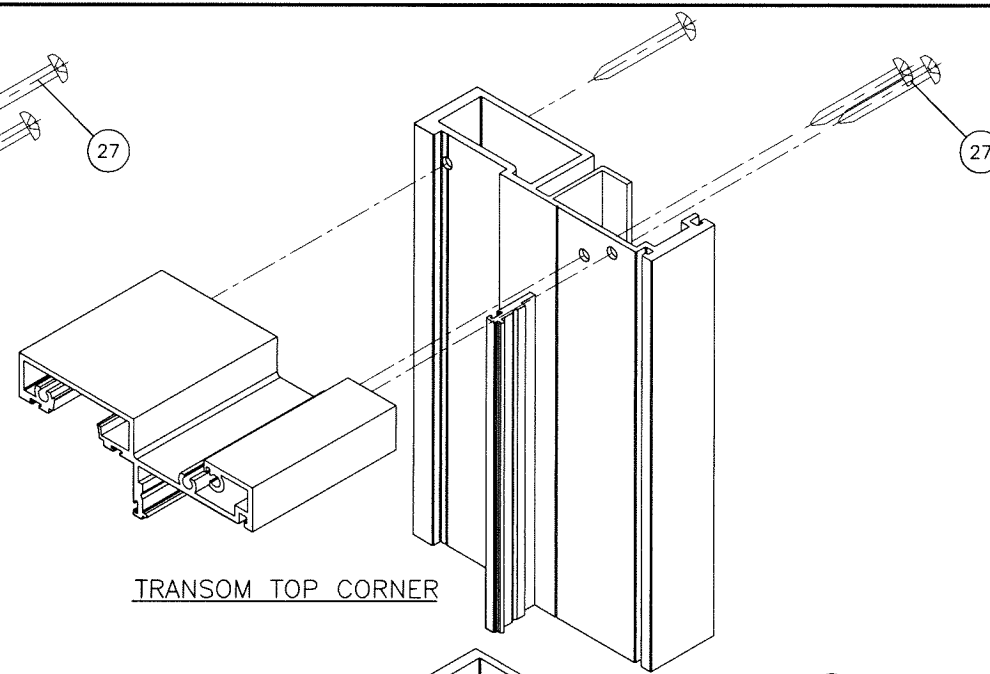


Sealed: 7/26/2023

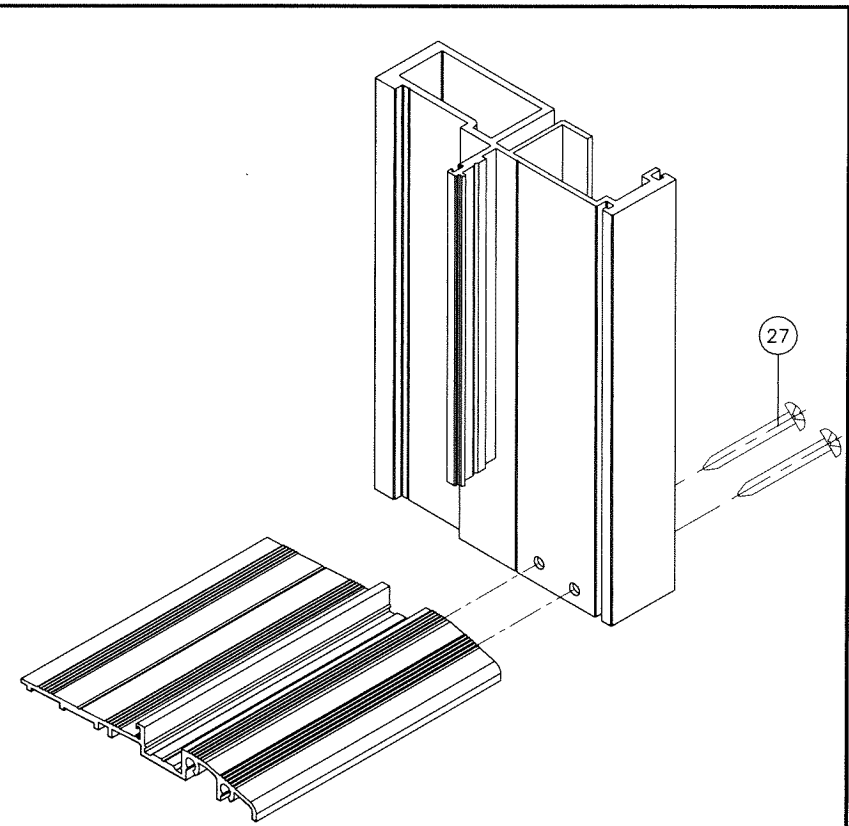
FL #33689



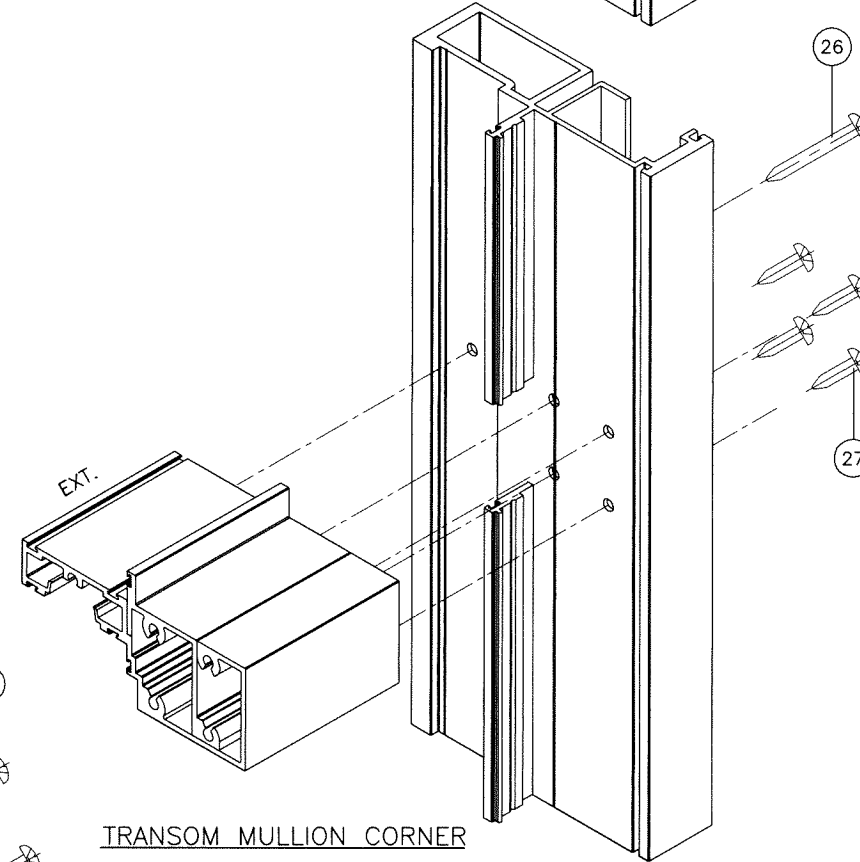
DOOR/SIDELITE  
FRAME TOP CORNER



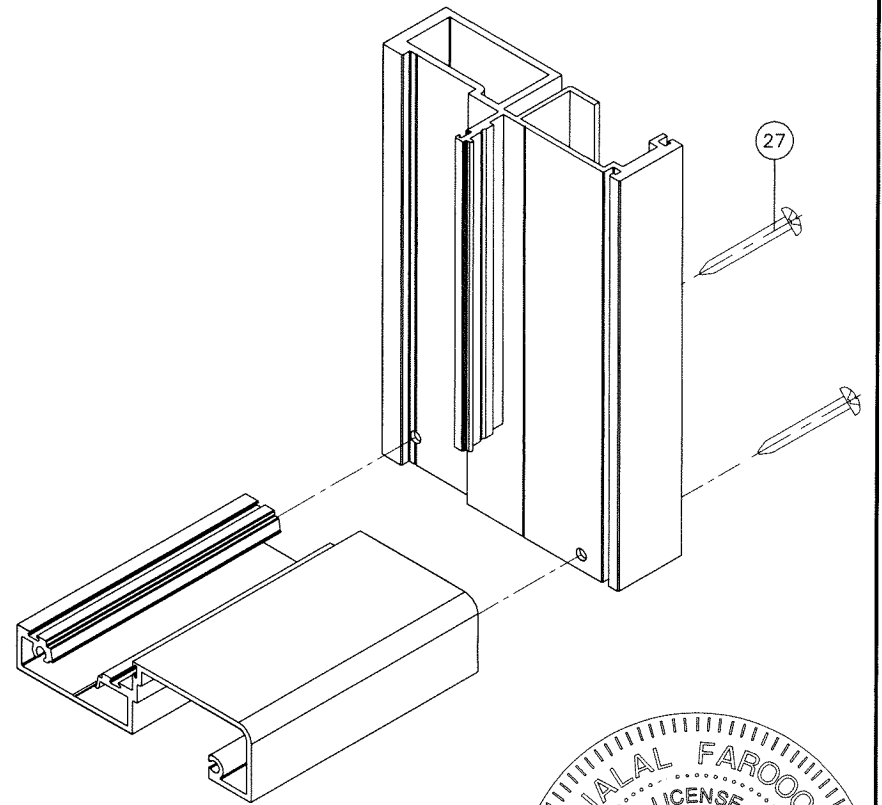
TRANSOM TOP CORNER



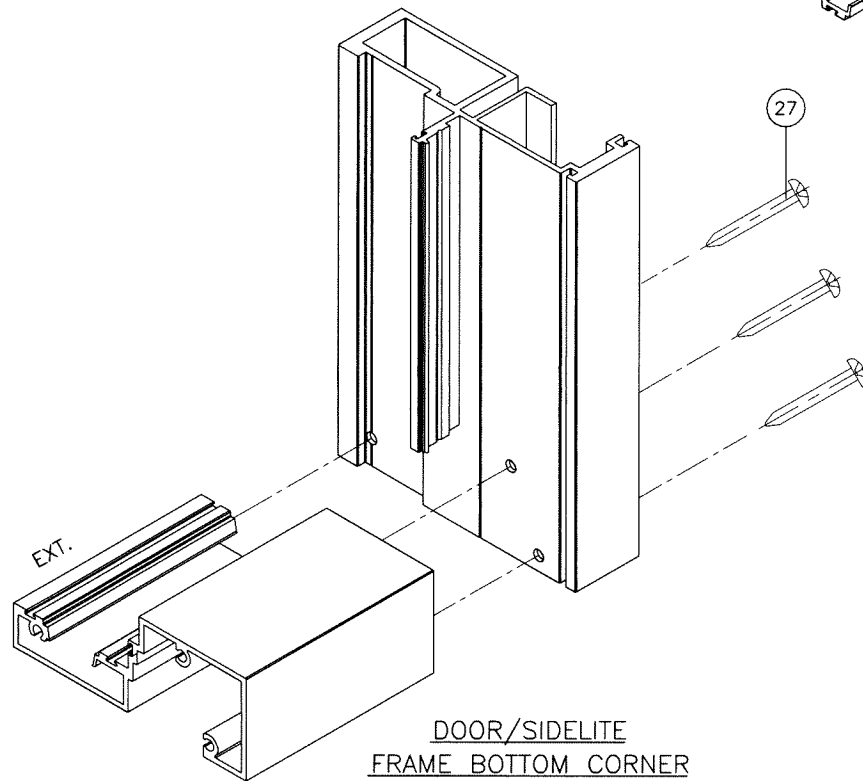
ADA THRESHOLD CORNER



TRANSOM MULLION CORNER



LOW RISE THRESHOLD CORNER



DOOR/SIDELITE  
FRAME BOTTOM CORNER

Sealed: 7/26/2023

FL #33689



**a f c**  
**AL-FAROOQ CORPORATION**  
 ENGINEERS & PRODUCT DEVELOPMENT  
 9360 SUNSET DRIVE, SUITE 220 (C.A.N. 3538)  
 MIAMI, FLORIDA 33173 TEL. (305) 264-8100 FAX. (305) 262-6978  
 COMP-ANL W17-50SIW

Coastline Outswing French Door Narrow Stile IZ4  
**MARVIN**  
 PO Box 100, 401 State Ave. N.  
 Warrroad, MN. 56763  
 Tel. (218) 386-1430 Ext. 2143

revisions:	
no	date by description

date: 05-16-17  
 scale: 3/8" = 1"  
 dr. by: TARIQ  
 chk. by:  

drawing no.  
**W17-50**  
 sheet 12 of 13

