

Vivid™ Casement/Awning

Unit Features.....	1
Minimum and Maximum Guidelines	4
Certification Sizes and Ratings	5
Standard Unit Measurements.....	6
Egress/Net Clear Opening	9
Egress, Lite and Vent Measurements - Casement.....	10
Lite and Vent Measurements - Awning	14
Measurement Conversions	18
STC/OITC Charts	19
Mulling Information.....	22
Section Details: Dual Pane IG.....	24
Section Details: Triple Pane IG	25
Screen Options.....	26
Jamb Extension Options	27
Divided Lite Options	28

Unit Features

Vivid™ Casement: VCA

Vivid™ Awning: VAWN

Vivid™ Casement Picture: VCAP

Frame and Sash

- The frame and sash exteriors are made of Ultrex®, an advanced pultruded fiberglass material that is resistant to thermal expansion and contraction.
- The frame and sash interiors are made of a proprietary fiberglass reinforced composite material that is extruded into profiles.
- Exterior colors: Stone White, Bronze, Ebony, or Pebble Gray
- Interior colors: Stone White or Ebony
- Dimensions: 3 5/8" (92) deep x 2 7/8" (73) tall

Frame

- Frame Depth: 3 5/8" (92)
- Jamb Depth: 2 1/2" (64)
- Frame Dimensions: 3 5/8" (92) x 1 5/32" (29)
- Structural components of the frame are Ultrex on the exterior and fiberglass-reinforced composite on the interior.
- Corner Construction
 - Right angle with 45-degree Ultrex miter and injection molded corner key.
- Integrated drywall return

Sash

- Overall assembled sash thickness is 1 19/32" (40) for dual pane, and 2" (50) for triple pane. Ultrex is 0.080" - 0.088" (2) thick. Sash can be replaced but not reglazed.
- Some sizes of dual pane product require 2" sash thickness. Refer to OMS.
- Sash Width: 2 1/8" (53)
- Structural components of the sash are Ultrex on the exterior and fiberglass reinforced composite on the interior

Jamb Extension

- Factory applied pine painted to interior finish color. Standard jamb depth is 2 1/2" (64). Extension available in three widths:
 - For 4 9/16" jamb depth, 37/64" (15) x 2 1/4" (57)
 - For 6 9/16" jamb depth, 37/64" (15) x 4 1/4" (108)
 - For 6 13/16" jamb depth, 37/64" (15) x 4 1/2" (114)
- Default color will match the unit interior selection. Color selection may optionally differ from the interior color selection of the window frame.

Glazing

- Standard Glazing: Dual-pane, insulated glass with one (1) lite, LowE2 with Argon.
- Dual-pane units are manufactured with an 3/4" (19) or 1 3/16" (30) IG with Low E1, E2, E3, E2/ERS, E3/ERS, or no coating including argon gas fill.
- Triple pane units are manufactured with a 1 3/16" IG with Low E1, E2, E3, E2/ERS, E3/ERS, or no coating including argon gas fill.
- Tempered glass and/or obscure glass, and California Fire glass (annealed exterior and tempered interior glazing configuration) are available as an option.
- The glazing seals are silicone bedding on both the interior and the exterior surfaces of a two-piece sash. All glazing sealant is black in color
- STC/OITC values are available for 3.1 mm thickness glass.
 - Optional 3.1/4.7 STC/OITC upgrade glass is available. See the Product Performance chapter for STC and OITC ratings.
- Capillary tubes required for IG units at high elevations. Argon not available with capillary tubes.
- Decorative glass options include glue chip, rain, reed, narrow reed, frost, and tinted (bronze, gray or green). Decorative glass is not available with Low E1, Low E2/ERS, Low E3/ERS, or STC/OITC.

Unit Features (Continued)

Casement Hardware

- Hardware finishes available in Stone White, Satin Nickel, Matte Black, and Matte Bronze
- Roto Hardware
 - Single arm roto hardware factory installed on casement units
 - Call number 1-6 and 1-8, and frame sizes 20" wide and under require dyad operators.
 - Roto gear hardware is an E-coated, high-strength, low-alloy steel.
- Hinges
 - The hinge track is stainless steel
 - Hinge shoe is injection molded with a stainless steel insert.
 - Hinge arm is E-coated high strength, low alloy steel
 - Hinges are adjustable with a range of 1/8"
 - Wash mode feature on all units wider than frame width of 20"
- Units with a frame height of greater than 29 1/2" (749) will have a snubber on the jamb and stile to interlock the sash to the frame on the hinge side.
- Folding handle with removable snap fit covers.
- The locking hardware consists of multi-point locking mechanism that is actuated from a single point operation.
- Optional coastal hardware is available.
- Optional factory applied Window Opening Control Device is available. This device works in accordance to ASTM F2090-17 Standard Specification for Window Fall Prevention Devices with Emergency Escape (Egress) Release Mechanisms.
 - Min size: 20" (508) x 16" (406) - max size: 41" (1041) x 95 1/2" (2425)
 - Stainless Steel.
- Optional field or factory applied Sash Limiter- 3" Travel is available.
 - Min size: 24" (609) x 16" (406) - max size: 41" (1041) x 95 1/2" (2425).
 - Non-Custodial and Custodial options are available.
 - Units with sash limiters do not meet egress criteria.

Awning Hardware

- Hardware finishes available in Stone White, Satin Nickel, Matte Black, and Matte Bronze
- Roto Hardware
 - Single arm roto hardware factory installed on all awning units.
 - Roto hardware is an E-coated high strength, low alloy steel.
- Hinges
 - The hinge track is stainless steel
 - Hinge arm is E-coated high strength, low alloy steel
 - Hinge shoe is injection molded with a stainless steel insert.
- Folding handle with removable snap fit covers
- Units with a frame width of greater than 35" (889) will have a snubber on the top rail/head jamb.
- A single point or double point lock on each jamb/stile, depending on unit size, with a removable escutcheon and handle. Some sizes may include one or two additional lock points at the sill.
- Optional coastal hardware is available
- Optional field or factory applied Sash Limiter - 3" Travel is available
 - Min size: 24" (609) x 16" (406) - max size: 71" (1803) x 59 1/2" (902) or 59 1/2" (902) x 71" (1803)
 - Custodial and Non-Custodial options are available.

Unit Features (Continued)

Weather Strip

- All units are dual weather stripped.
- The primary weather strip is a black extruded vinyl-covered foam filled bulb that attaches to all four sides of the frame.
- The secondary weather strip is a black extruded UV stabilized polypropylene hollow that is attached to the sash.

Interior / Exterior Simulated Divided Lites (SDL):

- Interior bar: Fiberglass Reinforced Composite, 7/8" (22) wide bars, finish to match interior.
- Exterior bar: Ultrex, 7/8" (22) wide bars, finish to match exterior.
- Pattern: Rectangular, Prairie, Cottage, or Horizontal Trellis style cuts.
- Special size Direct Glaze Rectangle units will default to a 10" (254) daylight opening with a minimum 4" (102) daylight opening available. Due to size limitation, 6 or 9 lite Prairie cut may apply. Default is 9 lite for stand alone units.
- Simulated check rail option: 2" (51). Pattern available: simulated rail in standard center or center specified location with 2" (51) patterns above, below or both in patterns of rectangular equal lite or prairie lite cuts.
- SDL with spacer bar available in standard rectangle only with standard lite patterns.
- For triple pane units, the spacer bar is located in both air spaces.
- SDL is unavailable with rain, reed and narrow reed decorative glass. Glue chip requires tempered glass. Tinted glass is not available with spacer bar.

Grilles-Between-The-Glass (GBG):

- 23/32" (18) roll-form contoured aluminum bar placed between two panes of glass.
 - Pattern: rectangular, 6 or 9 lite Prairie cut, or Cottage style cut.
 - Exterior color: Stone White, Pebble Gray, Bronze, or Ebony.
 - Interior Color: Stone White, Ebony, or Obscure glass.
 - For triple pane units, the GBG bar is located in both air spaces.
 - GBGs are not available on tint-glazed units.

Exterior Casing

- Non-integral to the unit.
- Field applied only
- Fastened to the exterior wall with barb and kerf: 2" (51) brick mould casing. Extends 1 11/16" (43) from frame.
- 3 1/2" (89) flat casing available as full surround or with sill nosing. Extends 3 3/16" (81) from frame.
- Sill Nosing extends 1 11/16" (43) from frame
- Also available with 1" (25) ranch style sill and header overhang.

Installation

- Factory applied rigid nailing fin is standard.
- If specified on order, structural brackets for masonry applications are available in place of the rigid nailing fin.
- If specified on the order, through-jamb screws are available in place of or in addition to the rigid nailing fin.
- All units include pre-drilled holes for through jamb screws.
- Through-jamb installation is standard on Insert applications.

Insect Screen

- Roll formed aluminum frame
 - Corners are mitered and joined with internal corner keys which are not visible. .
 - 49/64" thick by 3/8" wide.
- Extruded aluminum frame
 - Corners are mitered and joined with internal corner keys which are not visible.
 - 53/64" thick by 19/64" wide.
- Features a bottom rail lift and top rail mounted springs that allow it to be removed from the interior of the unit.
- Charcoal fiberglass screen cloth.
- Default color will match the unit interior selection. Color selection may optionally differ from the interior color selection of the window frame.

Minimum and Maximum Guidelines

Casement/Awning/Picture

Unit Type	Pane Type	Frame Size								Glass Limits	
		Min Width		Min Height		Max Width		Max Height		Max Glass Area*	
		in		in	mm	in	mm	in	mm	ft ²	m ²
VCA	Dual	16	(406)	16	(406)	41	(1041)	95 1/2	(2426)		
	Triple (without Divided Lites)	16	(406)	16	(406)	32 5/16	(821)	95 3/16	(2418)		
	Triple (without Divided Lites)	16	(406)	16	(406)	41	(1041)	74 15/16	(1903)		
	Triple (with Divided Lites)	16	(406)	16	(406)	27 9/16	(700)	95 3/16	(2418)		
	Triple (with Divided Lites)	16	(406)	16	(406)	41	(1041)	62 13/16	(1595)		
VAWN	Dual & Triple	16	(406)	16	(406)	59	(1499)	71 1/2	(1816)		
	Dual & Triple	16	(406)	16	(406)	71	(1803)	59 1/2	(1511)		
VCAP	Dual	16	(406)	16	(406)	71	(1803)	95 1/2	(2426)		
	Dual	16	(406)	16	(406)	95	(2413)	71 1/2	(1816)		
	Triple - Tempered	16	(406)	16	(406)	95	(2413)	52 3/16	(1326)		
	Triple - Tempered	16	(406)	16	(406)	52 3/16	(1326)	95 3/16	(2418)		
	Triple - Annealed	16	(406)	16	(406)	71	(1803)	95 3/16	(2418)	27.999	2.601
	Triple - Annealed	16	(406)	16	(406)	95	(2413)	71 1/2	(1816)	27.999	2.601

* Glass area limits vary based on aspect ratio. Max glass area listed; refer to OMS for specific size availability.

Certification Sizes and Ratings**Casement/Awning/Pictures**

Product	Air Tested to PSF	Water Tested to psf	Design Pressure (DP)	Certification Rating	Max Overall Width		Max Overall Height	
					in	mm	in	mm
Vivid Casement	1.57	7.52	50	LC-PG50-C	41	(1041)	95 1/2	(2426)
Vivid Awning	1.57	7.52	50	LC-PG50-AP	71	(1803)	59 1/2	(1511)
Vivid Awning	1.57	7.52	50	LC-PG50-AP	59	(1499)	71 1/2	(1816)
Vivid Casement Picture	1.57	7.52	50	LC-PG50-FW	72	(1829)	96	(2438)

Standard Unit Measurements

Casement

Standard Casement Unit Measurements														
Width														
Call Number	Masonry Opening		Rough Opening		Inside Opening		Frame Size		Sash Size		Screen OM		Daylight Opening	
	ft-in	mm	ft-in	mm	ft-in	mm	ft-in	mm	ft-in	mm	ft-in	mm	in	mm
16	1-5 1/2	(445)	1-6	(457)	1-5 3/8	(441)	1-5	(432)	1-3 29/64	(393)	1-1	(330)	11 15/64	(285)
18	1-7 1/2	(495)	1-8	(508)	1-7 3/8	(492)	1-7	(483)	1-5 29/64	(443)	1-3	(381)	13 15/64	(336)
20	1-11 1/2	(597)	2-0	(610)	1-11 3/8	(594)	1-11	(584)	1-9 29/64	(545)	1-7	(483)	17 15/64	(438)
25	2-4 1/2	(724)	2-5	(737)	2-4 3/8	(721)	2-4	(711)	2-2 29/64	(672)	2-0	(610)	22 15/64	(565)
26	2-5 1/2	(749)	2-6	(762)	2-5 3/8	(746)	2-5	(737)	2-3 29/64	(697)	2-1	(635)	23 15/64	(590)
29	2-8 1/2	(826)	2-9	(838)	2-8 3/8	(822)	2-8	(813)	2-6 29/64	(774)	2-4	(711)	26 15/64	(666)
30	2-11 1/2	(902)	3-0	(914)	2-11 3/8	(899)	2-11	(889)	2-9 29/64	(850)	2-7	(787)	29 15/64	(743)
36	3-5 1/2	(1054)	3-6	(1067)	3-5 3/8	(1051)	3-5	(1041)	3-3 29/64	(1002)	3-1	(940)	35 15/64	(895)

Standard Casement Unit Measurements														
Height														
Call Number	Masonry Opening		Rough Opening		Inside Opening		Frame Size		Sash Size		Screen OM		Daylight Opening	
	ft-in	mm	ft-in	mm	ft-in	mm	ft-in	mm	ft-in	mm	ft-in	mm	in	mm
16	1-5 3/4	(451)	1-6	(457)	1-5 3/4	(451)	1-5 1/2	(445)	1-3 61/64	(405)	1-1 5/64	(332)	11 47/64	(298)
18	1-7 3/4	(502)	1-8	(508)	1-7 3/4	(502)	1-7 1/2	(495)	1-5 61/64	(456)	1-3 5/64	(383)	13 47/64	(349)
20	1-11 3/4	(603)	2-0	(610)	1-11 3/4	(603)	1-11 1/2	(597)	1-9 61/64	(558)	1-7 5/64	(485)	17 47/64	(450)
26	2-5 3/4	(756)	2-6	(762)	2-5 3/4	(756)	2-5 1/2	(749)	2-3 61/64	(710)	2-1 5/64	(637)	23 47/64	(603)
30	2-11 3/4	(908)	3-0	(914)	2-11 3/4	(908)	2-11 1/2	(902)	2-9 61/64	(862)	2-7 5/64	(789)	29 47/64	(755)
36	3-5 3/4	(1060)	3-6	(1067)	3-5 3/4	(1060)	3-5 1/2	(1054)	3-3 61/64	(1015)	3-1 5/64	(942)	35 47/64	(908)
40	3-11 3/4	(1213)	4-0	(1219)	3-11 3/4	(1213)	3-11 1/2	(1207)	3-9 61/64	(1167)	3-7 5/64	(1094)	41 47/64	(1060)
46	4-5 3/4	(1365)	4-6	(1372)	4-5 3/4	(1365)	4-5 1/2	(1359)	4-3 61/64	(1320)	4-1 5/64	(1247)	47 47/64	(1212)
50	4-11 3/4	(1518)	5-0	(1524)	4-11 3/4	(1518)	4-11 1/2	(1511)	4-9 61/64	(1472)	4-7 5/64	(1399)	53 47/64	(1365)
56	5-5 3/4	(1670)	5-6	(1676)	5-5 3/4	(1670)	5-5 1/2	(1664)	5-3 61/64	(1624)	5-1 5/64	(1551)	59 47/64	(1517)
60	5-11 3/4	(1822)	6-0	(1829)	5-11 3/4	(1822)	5-11 1/2	(1816)	5-9 61/64	(1777)	5-7 5/64	(1704)	65 47/64	(1670)
66	6-5 3/4	(1975)	6-6	(1981)	6-5 3/4	(1975)	6-5 1/2	(1969)	6-3 61/64	(1929)	6-1 5/64	(1856)	71 47/64	(1822)
70	6-11 3/4	(2127)	7-0	(2134)	6-11 3/4	(2127)	6-11 1/2	(2121)	6-9 61/64	(2082)	6-7 5/64	(2009)	77 47/64	(1974)
76	7-5 3/4	(2280)	7-6	(2286)	7-5 3/4	(2280)	7-5 1/2	(2273)	7-3 61/64	(2234)	7-1 5/64	(2161)	83 47/64	(2127)
80	7-11 3/4	(2432)	8-0	(2438)	7-11 3/4	(2432)	7-11 1/2	(2426)	7-9 61/64	(2386)	7-7 5/64	(2313)	89 47/64	(2279)

Standard Unit Measurements (Continued)
Awning

Standard Awning Unit Measurements														
Width														
Call Number	Masonry Opening		Rough Opening		Inside Opening		Frame Size		Sash Size		Screen OM		Daylight Opening	
	ft-in	mm	ft-in	mm	ft-in	mm	ft-in	mm	ft-in	mm	ft-in	mm	in	mm
16	1-5 1/2	(445)	1-6	(457)	1-5 3/8	(441)	1-5	(432)	1-3 29/64	(393)	1-1	(330)	11 15/64	(285)
18	1-7 1/2	(495)	1-8	(508)	1-7 3/8	(492)	1-7	(483)	1-5 29/64	(443)	1-3	(381)	13 15/64	(336)
20	1-11 1/2	(597)	2-0	(610)	1-11 3/8	(594)	1-11	(584)	1-9 29/64	(545)	1-7	(483)	17 15/64	(438)
25	2-4 1/2	(724)	2-5	(737)	2-4 3/8	(721)	2-4	(711)	2-2 29/64	(672)	2-0	(610)	22 15/64	(565)
26	2-5 1/2	(749)	2-6	(762)	2-5 3/8	(746)	2-5	(737)	2-3 29/64	(697)	2-1	(635)	23 15/64	(590)
29	2-8 1/2	(826)	2-9	(838)	2-8 3/8	(822)	2-8	(813)	2-6 29/64	(774)	2-4	(711)	26 15/64	(666)
30	2-11 1/2	(902)	3-0	(914)	2-11 3/8	(899)	2-11	(889)	2-9 29/64	(850)	2-7	(787)	29 15/64	(743)
36	3-5 1/2	(1054)	3-6	(1067)	3-5 3/8	(1051)	3-5	(1041)	3-3 29/64	(1002)	3-1	(940)	35 15/64	(895)
40	3-11 1/2	(1207)	4-0	(1219)	3-11 3/8	(1203)	3-11	(1194)	3-9 29/64	(1155)	3-7	(1092)	41 15/64	(1047)
46	4-5 1/2	(1359)	4-6	(1372)	4-5 3/8	(1356)	4-5	(1346)	4-3 29/64	(1307)	4-1	(1245)	47 15/64	(1200)
50	4-11 1/2	(1511)	5-0	(1524)	4-11 3/8	(1508)	4-11	(1499)	4-9 29/64	(1459)	4-7	(1397)	53 15/64	(1352)
56	5-5 1/2	(1664)	5-6	(1676)	5-5 3/8	(1661)	5-5	(1651)	5-3 29/64	(1612)	5-1	(1549)	59 15/64	(1505)
60	5-11 1/2	(1816)	6-0	(1829)	5-11 3/8	(1813)	5-11	(1803)	5-9 29/64	(1764)	5-7	(1702)	65 15/64	(1657)

Standard Awning Unit Measurements														
Height														
Call Number	Masonry Opening		Rough Opening		Inside Opening		Frame Size		Sash Size		Screen OM		Daylight Opening	
	ft-in	mm	ft-in	mm	ft-in	mm	ft-in	mm	ft-in	mm	ft-in	mm	in	mm
16	1-5 3/4	(451)	1-6	(457)	1-5 3/4	(451)	1-5 1/2	(445)	1-3 61/64	(405)	1-1 5/64	(332)	11 47/64	(298)
18	1-7 3/4	(502)	1-8	(508)	1-7 3/4	(502)	1-7 1/2	(495)	1-5 61/64	(456)	1-3 5/64	(383)	13 47/64	(349)
20	1-11 3/4	(603)	2-0	(610)	1-11 3/4	(603)	1-11 1/2	(597)	1-9 61/64	(558)	1-7 5/64	(485)	17 47/64	(450)
26	2-5 3/4	(756)	2-6	(762)	2-5 3/4	(756)	2-5 1/2	(749)	2-3 61/64	(710)	2-1 5/64	(637)	23 47/64	(603)
30	2-11 3/4	(908)	3-0	(914)	2-11 3/4	(908)	2-11 1/2	(902)	2-9 61/64	(862)	2-7 5/64	(789)	29 47/64	(755)
36	3-5 3/4	(1060)	3-6	(1067)	3-5 3/4	(1060)	3-5 1/2	(1054)	3-3 61/64	(1015)	3-1 5/64	(942)	35 47/64	(908)
40	3-11 3/4	(1213)	4-0	(1219)	3-11 3/4	(1213)	3-11 1/2	(1207)	3-9 61/64	(1167)	3-7 5/64	(1094)	41 47/64	(1060)
46	4-5 3/4	(1365)	4-6	(1372)	4-5 3/4	(1365)	4-5 1/2	(1359)	4-3 61/64	(1320)	4-1 5/64	(1247)	47 47/64	(1212)
50	4-11 3/4	(1518)	5-0	(1524)	4-11 3/4	(1518)	4-11 1/2	(1511)	4-9 61/64	(1472)	4-7 5/64	(1399)	53 47/64	(1365)
56	5-5 3/4	(1670)	5-6	(1676)	5-5 3/4	(1670)	5-5 1/2	(1664)	5-3 61/64	(1624)	5-1 5/64	(1551)	59 47/64	(1517)
60	5-11 3/4	(1822)	6-0	(1829)	5-11 3/4	(1822)	5-11 1/2	(1816)	5-9 61/64	(1777)	5-7 5/64	(1704)	65 47/64	(1670)

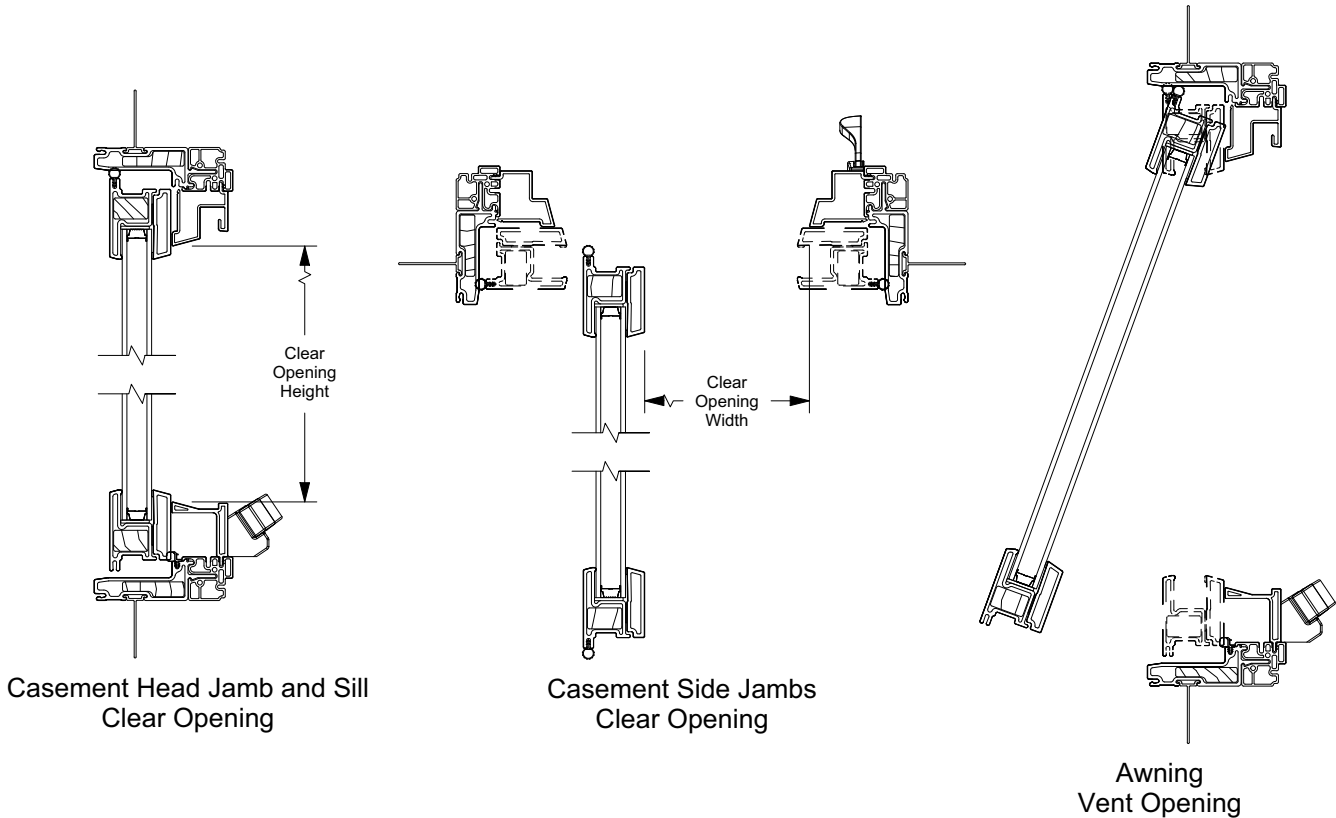
Standard Unit Measurements (Continued)

Casement Picture

Standard Casement Picture Unit Measurements												
Width												
Call Number	Masonry Opening		Rough Opening		Inside Opening		Frame Size		Sash Size		Daylight Opening	
	ft-in	mm	ft-in	mm	ft-in	mm	ft-in	mm	ft-in	mm	in	mm
16	1-5 1/2	(445)	1-6	(457)	1-5 3/8	(441)	1-5	(432)	1-3 29/64	(393)	11 15/64	(285)
18	1-7 1/2	(495)	1-8	(508)	1-7 3/8	(492)	1-7	(483)	1-5 29/64	(443)	13 15/64	(336)
20	1-11 1/2	(597)	2-0	(610)	1-11 3/8	(594)	1-11	(584)	1-9 29/64	(545)	17 15/64	(438)
25	2-4 1/2	(724)	2-5	(737)	2-4 3/8	(721)	2-4	(711)	2-2 29/64	(672)	22 15/64	(565)
26	2-5 1/2	(749)	2-6	(762)	2-5 3/8	(746)	2-5	(737)	2-3 29/64	(697)	23 15/64	(590)
29	2-8 1/2	(826)	2-9	(838)	2-8 3/8	(822)	2-8	(813)	2-6 29/64	(774)	26 15/64	(666)
30	2-11 1/2	(902)	3-0	(914)	2-11 3/8	(899)	2-11	(889)	2-9 29/64	(850)	29 15/64	(743)
36	3-5 1/2	(1054)	3-6	(1067)	3-5 3/8	(1051)	3-5	(1041)	3-3 29/64	(1002)	35 15/64	(895)
40	3-11 1/2	(1207)	4-0	(1219)	3-11 3/8	(1203)	3-11	(1194)	3-9 29/64	(1155)	41 15/64	(1047)
46	4-5 1/2	(1359)	4-6	(1372)	4-5 3/8	(1356)	4-5	(1346)	4-3 29/64	(1307)	47 15/64	(1200)
50	4-11 1/2	(1511)	5-0	(1524)	4-11 3/8	(1508)	4-11	(1499)	4-9 29/64	(1459)	53 15/64	(1352)
56	5-5 1/2	(1664)	5-6	(1676)	5-5 3/8	(1661)	5-5	(1651)	5-3 29/64	(1612)	59 15/64	(1505)
60	5-11 1/2	(1816)	6-0	(1829)	5-11 3/8	(1813)	5-11	(1803)	5-9 29/64	(1764)	65 15/64	(1657)
66	6-5 1/2	(1969)	6-6	(1981)	6-5 3/8	(1965)	6-5	(1956)	6-3 29/64	(1917)	71 15/64	(1809)
70	6-11 1/2	(2121)	7-0	(2134)	6-11 3/8	(2118)	6-11	(2108)	6-9 29/64	(2069)	77 15/64	(1962)
76	7-5 1/2	(2273)	7-6	(2286)	7-5 3/8	(2270)	7-5	(2261)	7-3 29/64	(2221)	83 15/64	(2114)
80	7-11 1/2	(2426)	8-0	(2438)	7-11 3/8	(2423)	7-11	(2413)	7-9 29/64	(2374)	89 15/64	(2267)

Standard Casement Picture Unit Measurements												
Height												
Call Number	Masonry Opening		Rough Opening		Inside Opening		Frame Size		Sash Size		Daylight Opening	
	ft-in	mm	ft-in	mm	ft-in	mm	ft-in	mm	ft-in	mm	in	mm
16	1-5 3/4	(451)	1-6	(457)	1-5 3/4	(451)	1-5 1/2	(445)	1-3 61/64	(405)	11 47/64	(298)
18	1-7 3/4	(502)	1-8	(508)	1-7 3/4	(502)	1-7 1/2	(495)	1-5 61/64	(456)	13 47/64	(349)
20	1-11 3/4	(603)	2-0	(610)	1-11 3/4	(603)	1-11 1/2	(597)	1-9 61/64	(558)	17 47/64	(450)
26	2-5 3/4	(756)	2-6	(762)	2-5 3/4	(756)	2-5 1/2	(749)	2-3 61/64	(710)	23 47/64	(603)
30	2-11 3/4	(908)	3-0	(914)	2-11 3/4	(908)	2-11 1/2	(902)	2-9 61/64	(862)	29 47/64	(755)
36	3-5 3/4	(1060)	3-6	(1067)	3-5 3/4	(1060)	3-5 1/2	(1054)	3-3 61/64	(1015)	35 47/64	(908)
40	3-11 3/4	(1213)	4-0	(1219)	3-11 3/4	(1213)	3-11 1/2	(1207)	3-9 61/64	(1167)	41 47/64	(1060)
46	4-5 3/4	(1365)	4-6	(1372)	4-5 3/4	(1365)	4-5 1/2	(1359)	4-3 61/64	(1320)	47 47/64	(1212)
50	4-11 3/4	(1518)	5-0	(1524)	4-11 3/4	(1518)	4-11 1/2	(1511)	4-9 61/64	(1472)	53 47/64	(1365)
56	5-5 3/4	(1670)	5-6	(1676)	5-5 3/4	(1670)	5-5 1/2	(1664)	5-3 61/64	(1624)	59 47/64	(1517)
60	5-11 3/4	(1822)	6-0	(1829)	5-11 3/4	(1822)	5-11 1/2	(1816)	5-9 61/64	(1777)	65 47/64	(1670)
66	6-5 3/4	(1975)	6-6	(1981)	6-5 3/4	(1975)	6-5 1/2	(1969)	6-3 61/64	(1929)	71 47/64	(1822)
70	6-11 3/4	(2127)	7-0	(2134)	6-11 3/4	(2127)	6-11 1/2	(2121)	6-9 61/64	(2082)	77 47/64	(1974)
76	7-5 3/4	(2280)	7-6	(2286)	7-5 3/4	(2280)	7-5 1/2	(2273)	7-3 61/64	(2234)	83 47/64	(2127)
80	7-11 3/4	(2432)	8-0	(2438)	7-11 3/4	(2432)	7-11 1/2	(2426)	7-9 61/64	(2386)	89 47/64	(2279)

Egress/Net Clear Opening



Egress Conversions

Net Clear Opening: Actual usable space through which a person can pass in an emergency. For windows, it means the unobstructed area when the window is fully open, excluding any parts of the window frame, sash, or other obstructions.

Egress: In construction, egress refers to the means of exiting or escaping a building or structure in the event of an emergency.

To meet egress requirements, a window must:

- have a minimum width of 20 inches (508mm) when the sash is open to 90 degrees.
- have a minimum height of 24 inches (610mm)
- have a minimum square footage (of Net Clear Opening) of 5.7 square feet.

Egress Minimum Opening and Conversions from Frame Size			
Minimum Value for Net Clear Opening	Desired Dimension	Hinge Type	Formula
20 in	Egress opening width, in	10" hinge for unit frame width 14–22"	= VCA frame OM width - 9.726
		18" hinge for unit frame width 22–29" 22" hinge for unit frame width 29–41"	= VCA frame OM width - 7.210
24 in	Egress opening height, in	All	= VCA frame OM height - 5.137
5.7 ft ²	Egress opening area, ft ²	All	= ((Egress opening width, in) x (Egress opening height, in)) / 144

Egress, Lite and Vent Measurements - Casement

CN	Clear Opening Width		Clear Opening Height		Egress Opening		Vent Opening	
	ft - in	mm	ft - in	mm	ft ²	cm ²	ft ²	cm ²
1616	0-7 9/32	(185)	1-0 23/64	(314)	0.62	(580)	0.62	(580)
1618	0-7 9/32	(185)	1-2 23/64	(365)	0.73	(674)	0.73	(674)
1620	0-7 9/32	(185)	1-6 23/64	(466)	0.93	(862)	0.93	(862)
1626	0-7 9/32	(185)	2-0 23/64	(619)	1.23	(1143)	1.23	(1143)
1630	0-7 9/32	(185)	2-6 23/64	(771)	1.53	(1425)	1.53	(1425)
1636	0-7 9/32	(185)	3-0 23/64	(924)	1.84	(1706)	1.84	(1706)
1640	0-7 9/32	(185)	3-6 23/64	(1076)	2.14	(1988)	2.14	(1988)
1646	0-7 9/32	(185)	4-0 23/64	(1228)	2.44	(2270)	2.44	(2270)
1650	0-7 9/32	(185)	4-6 23/64	(1381)	2.75	(2551)	2.75	(2551)
1656	0-7 9/32	(185)	5-0 23/64	(1533)	3.05	(2833)	3.05	(2833)
1660	0-7 9/32	(185)	5-6 23/64	(1686)	3.35	(3114)	3.35	(3114)
1666	0-7 9/32	(185)	6-0 23/64	(1838)	3.66	(3396)	3.66	(3396)
1670	0-7 9/32	(185)	6-6 23/64	(1990)	3.96	(3677)	3.96	(3677)
1676	0-7 9/32	(185)	7-0 23/64	(2143)	4.26	(3959)	4.26	(3959)
1680	0-7 9/32	(185)	7-6 23/64	(2295)	4.56	(4241)	4.56	(4241)
1816	0-9 9/32	(236)	1-0 23/64	(314)	0.80	(740)	0.80	(740)
1818	0-9 9/32	(236)	1-2 23/64	(365)	0.93	(859)	0.93	(859)
1820	0-9 9/32	(236)	1-6 23/64	(466)	1.18	(1099)	1.18	(1099)
1826	0-9 9/32	(236)	2-0 23/64	(619)	1.57	(1458)	1.57	(1458)
1830	0-9 9/32	(236)	2-6 23/64	(771)	1.96	(1817)	1.96	(1817)
1836	0-9 9/32	(236)	3-0 23/64	(924)	2.34	(2176)	2.34	(2176)
1840	0-9 9/32	(236)	3-6 23/64	(1076)	2.73	(2535)	2.73	(2535)
1846	0-9 9/32	(236)	4-0 23/64	(1228)	3.11	(2894)	3.11	(2894)
1850	0-9 9/32	(236)	4-6 23/64	(1381)	3.50	(3253)	3.50	(3253)
1856	0-9 9/32	(236)	5-0 23/64	(1533)	3.89	(3612)	3.89	(3612)
1860	0-9 9/32	(236)	5-6 23/64	(1686)	4.27	(3971)	4.27	(3971)
1866	0-9 9/32	(236)	6-0 23/64	(1838)	4.66	(4330)	4.66	(4330)
1870	0-9 9/32	(236)	6-6 23/64	(1990)	5.05	(4689)	5.05	(4689)
1876	0-9 9/32	(236)	7-0 23/64	(2143)	5.43	(5048)	5.43	(5048)
1880	0-9 9/32	(236)	7-6 23/64	(2295)	5.82	(5407)	5.82	(5407)

"E" indicates size meets egress requirements. .

Egress, Lite and Vent Measurements - Casement

CN	Clear Opening Width		Clear Opening Height		Egress Opening		Vent Opening	
	ft - in	mm	ft - in	mm	ft ²	cm ²	ft ²	cm ²
2016	1-3 51/64	(401)	1-0 23/64	(314)	1.36	(1259)	1.36	(1259)
2018	1-3 51/64	(401)	1-2 23/64	(365)	1.57	(1463)	1.57	(1463)
2020	1-3 51/64	(401)	1-6 23/64	(466)	2.01	(1871)	2.01	(1871)
2026	1-3 51/64	(401)	2-0 23/64	(619)	2.67	(2482)	2.67	(2482)
2030	1-3 51/64	(401)	2-6 23/64	(771)	3.33	(3093)	3.33	(3093)
2036	1-3 51/64	(401)	3-0 23/64	(924)	3.99	(3704)	3.99	(3704)
2040	1-3 51/64	(401)	3-6 23/64	(1076)	4.65	(4316)	4.65	(4316)
2046	1-3 51/64	(401)	4-0 23/64	(1228)	5.30	(4927)	5.30	(4927)
2050	1-3 51/64	(401)	4-6 23/64	(1381)	5.96	(5538)	5.96	(5538)
2056	1-3 51/64	(401)	5-0 23/64	(1533)	6.62	(6149)	6.62	(6149)
2060	1-3 51/64	(401)	5-6 23/64	(1686)	7.28	(6760)	7.28	(6760)
2066	1-3 51/64	(401)	6-0 23/64	(1838)	7.93	(7372)	7.93	(7372)
2070	1-3 51/64	(401)	6-6 23/64	(1990)	8.59	(7983)	8.59	(7983)
2076	1-3 51/64	(401)	7-0 23/64	(2143)	9.25	(8594)	9.25	(8594)
2080	1-3 51/64	(401)	7-6 23/64	(2295)	9.91	(9205)	9.91	(9205)
2516	1-8 51/64	(528)	1-0 23/64	(314)	1.78	(1658)	1.78	(1658)
2518	1-8 51/64	(528)	1-2 23/64	(365)	2.07	(1926)	2.07	(1926)
2520	1-8 51/64	(528)	1-6 23/64	(466)	2.65	(2463)	2.65	(2463)
2526	1-8 51/64	(528)	2-0 23/64	(619)	3.52	(3268)	3.52	(3268)
2530	1-8 51/64	(528)	2-6 23/64	(771)	4.38	(4073)	4.38	(4073)
2536	1-8 51/64	(528)	3-0 23/64	(924)	5.25	(4877)	5.25	(4877)
2540 E	1-8 51/64	(528)	3-6 23/64	(1076)	6.12	(5682)	6.12	(5682)
2546 E	1-8 51/64	(528)	4-0 23/64	(1228)	6.98	(6487)	6.98	(6487)
2550 E	1-8 51/64	(528)	4-6 23/64	(1381)	7.85	(7292)	7.85	(7292)
2556 E	1-8 51/64	(528)	5-0 23/64	(1533)	8.71	(8096)	8.71	(8096)
2560 E	1-8 51/64	(528)	5-6 23/64	(1686)	9.58	(8901)	9.58	(8901)
2566 E	1-8 51/64	(528)	6-0 23/64	(1838)	10.45	(9706)	10.45	(9706)
2570 E	1-8 51/64	(528)	6-6 23/64	(1990)	11.31	(10511)	11.31	(10511)
2576 E	1-8 51/64	(528)	7-0 23/64	(2143)	12.18	(11316)	12.18	(11316)
2580 E	1-8 51/64	(528)	7-6 23/64	(2295)	13.05	(12120)	13.05	(12120)

"E" indicates size meets egress requirements.

Egress, Lite and Vent Measurements - Casement

CN	Clear Opening Width		Clear Opening Height		Egress Opening		Vent Opening	
	ft - in	mm	ft - in	mm	ft ²	cm ²	ft ²	cm ²
2616	1-9 51/64	(553)	1-0 23/64	(314)	1.87	(1738)	1.87	(1738)
2618	1-9 51/64	(553)	1-2 23/64	(365)	2.17	(2019)	2.17	(2019)
2620	1-9 51/64	(553)	1-6 23/64	(466)	2.78	(2581)	2.78	(2581)
2626	1-9 51/64	(553)	2-0 23/64	(619)	3.69	(3425)	3.69	(3425)
2630	1-9 51/64	(553)	2-6 23/64	(771)	4.59	(4268)	4.59	(4268)
2636	1-9 51/64	(553)	3-0 23/64	(924)	5.50	(5112)	5.50	(5112)
2640 E	1-9 51/64	(553)	3-6 23/64	(1076)	6.41	(5955)	6.41	(5955)
2646 E	1-9 51/64	(553)	4-0 23/64	(1228)	7.32	(6799)	7.32	(6799)
2650 E	1-9 51/64	(553)	4-6 23/64	(1381)	8.23	(7642)	8.23	(7642)
2656 E	1-9 51/64	(553)	5-0 23/64	(1533)	9.13	(8486)	9.13	(8486)
2660 E	1-9 51/64	(553)	5-6 23/64	(1686)	10.04	(9329)	10.04	(9329)
2666 E	1-9 51/64	(553)	6-0 23/64	(1838)	10.95	(10173)	10.95	(10173)
2670 E	1-9 51/64	(553)	6-6 23/64	(1990)	11.86	(11016)	11.86	(11016)
2676 E	1-9 51/64	(553)	7-0 23/64	(2143)	12.77	(11860)	12.77	(11860)
2680 E	1-9 51/64	(553)	7-6 23/64	(2295)	13.67	(12703)	13.67	(12703)
2916	2-0 51/64	(630)	1-0 23/64	(314)	2.13	(1977)	2.13	(1977)
2918	2-0 51/64	(630)	1-2 23/64	(365)	2.47	(2297)	2.47	(2297)
2920	2-0 51/64	(630)	1-6 23/64	(466)	3.16	(2937)	3.16	(2937)
2926	2-0 51/64	(630)	2-0 23/64	(619)	4.19	(3897)	4.19	(3897)
2930	2-0 51/64	(630)	2-6 23/64	(771)	5.23	(4856)	5.23	(4856)
2936 E	2-0 51/64	(630)	3-0 23/64	(924)	6.26	(5816)	6.26	(5816)
2940 E	2-0 51/64	(630)	3-6 23/64	(1076)	7.29	(6775)	7.29	(6775)
2946 E	2-0 51/64	(630)	4-0 23/64	(1228)	8.33	(7735)	8.33	(7735)
2950 E	2-0 51/64	(630)	4-6 23/64	(1381)	9.36	(8695)	9.36	(8695)
2956 E	2-0 51/64	(630)	5-0 23/64	(1533)	10.39	(9654)	10.39	(9654)
2960 E	2-0 51/64	(630)	5-6 23/64	(1686)	11.42	(10614)	11.42	(10614)
2966 E	2-0 51/64	(630)	6-0 23/64	(1838)	12.46	(11573)	12.46	(11573)
2970 E	2-0 51/64	(630)	6-6 23/64	(1990)	13.49	(12533)	13.49	(12533)
2976 E	2-0 51/64	(630)	7-0 23/64	(2143)	14.52	(13493)	14.52	(13493)
2980 E	2-0 51/64	(630)	7-6 23/64	(2295)	15.56	(14452)	15.56	(14452)

"E" indicates size meets egress requirements.

Egress, Lite and Vent Measurements - Casement

CN	Clear Opening Width		Clear Opening Height		Egress Opening		Vent Opening	
	ft - in	mm	ft - in	mm	ft ²	cm ²	ft ²	cm ²
3016	2-3 51/64	(706)	1-0 23/64	(314)	2.39	(2217)	2.39	(2217)
3018	2-3 51/64	(706)	1-2 23/64	(365)	2.77	(2575)	2.77	(2575)
3020	2-3 51/64	(706)	1-6 23/64	(466)	3.54	(3292)	3.54	(3292)
3026	2-3 51/64	(706)	2-0 23/64	(619)	4.70	(4368)	4.70	(4368)
3030 E	2-3 51/64	(706)	2-6 23/64	(771)	5.86	(5444)	5.86	(5444)
3036 E	2-3 51/64	(706)	3-0 23/64	(924)	7.02	(6520)	7.02	(6520)
3040 E	2-3 51/64	(706)	3-6 23/64	(1076)	8.18	(7595)	8.18	(7595)
3046 E	2-3 51/64	(706)	4-0 23/64	(1228)	9.33	(8671)	9.33	(8671)
3050 E	2-3 51/64	(706)	4-6 23/64	(1381)	10.49	(9747)	10.49	(9747)
3056 E	2-3 51/64	(706)	5-0 23/64	(1533)	11.65	(10822)	11.65	(10822)
3060 E	2-3 51/64	(706)	5-6 23/64	(1686)	12.81	(11898)	12.81	(11898)
3066 E	2-3 51/64	(706)	6-0 23/64	(1838)	13.97	(12974)	13.97	(12974)
3070 E	2-3 51/64	(706)	6-6 23/64	(1990)	15.12	(14050)	15.12	(14050)
3076 E	2-3 51/64	(706)	7-0 23/64	(2143)	16.28	(15125)	16.28	(15125)
3080 E	2-3 51/64	(706)	7-6 23/64	(2295)	17.44	(16201)	17.44	(16201)
3616	2-9 51/64	(858)	1-0 23/64	(314)	2.90	(2695)	2.90	(2695)
3618	2-9 51/64	(858)	1-2 23/64	(365)	3.37	(3131)	3.37	(3131)
3620	2-9 51/64	(858)	1-6 23/64	(466)	4.31	(4003)	4.31	(4003)
3626 E	2-9 51/64	(858)	2-0 23/64	(619)	5.72	(5311)	5.72	(5311)
3630 E	2-9 51/64	(858)	2-6 23/64	(771)	7.12	(6619)	7.12	(6619)
3636 E	2-9 51/64	(858)	3-0 23/64	(924)	8.53	(7927)	8.53	(7927)
3640 E	2-9 51/64	(858)	3-6 23/64	(1076)	9.94	(9235)	9.94	(9235)
3646 E	2-9 51/64	(858)	4-0 23/64	(1228)	11.35	(10543)	11.35	(10543)
3650 E	2-9 51/64	(858)	4-6 23/64	(1381)	12.76	(11851)	12.76	(11851)
3656 E	2-9 51/64	(858)	5-0 23/64	(1533)	14.16	(13159)	14.16	(13159)
3660 E	2-9 51/64	(858)	5-6 23/64	(1686)	15.57	(14467)	15.57	(14467)
3666 E	2-9 51/64	(858)	6-0 23/64	(1838)	16.98	(15775)	16.98	(15775)
3670 E	2-9 51/64	(858)	6-6 23/64	(1990)	18.39	(17083)	18.39	(17083)
3676 E	2-9 51/64	(858)	7-0 23/64	(2143)	19.80	(18391)	19.80	(18391)
3680 E	2-9 51/64	(858)	7-6 23/64	(2295)	21.20	(19699)	21.20	(19699)

"E" indicates size meets egress requirements.

Lite and Vent Measurements - Awning

CN	Vent Opening Width		Vent Opening Height		Vent Opening	
	ft - in	mm	ft - in	mm	ft ²	cm ²
1616	0-11 55/64	(301)	1-0 23/64	(314)	1.02	(946)
1618	0-11 55/64	(301)	1-2 23/64	(365)	1.18	(1099)
1620	0-11 55/64	(301)	1-6 23/64	(466)	1.51	(1405)
1626	0-11 55/64	(301)	2-0 23/64	(619)	2.01	(1865)
1630	0-11 55/64	(301)	2-6 23/64	(771)	2.50	(2324)
1636	0-11 55/64	(301)	3-0 23/64	(924)	3.00	(2783)
1640	0-11 55/64	(301)	3-6 23/64	(1076)	3.49	(3242)
1646	0-11 55/64	(301)	4-0 23/64	(1228)	3.98	(3701)
1650	0-11 55/64	(301)	4-6 23/64	(1381)	4.48	(4161)
1656	0-11 55/64	(301)	5-0 23/64	(1533)	4.97	(4620)
1660	0-11 55/64	(301)	5-6 23/64	(1686)	5.47	(5079)
1816	1-1 55/64	(352)	1-0 23/64	(314)	1.19	(1106)
1818	1-1 55/64	(352)	1-2 23/64	(365)	1.38	(1285)
1820	1-1 55/64	(352)	1-6 23/64	(466)	1.77	(1642)
1826	1-1 55/64	(352)	2-0 23/64	(619)	2.35	(2179)
1830	1-1 55/64	(352)	2-6 23/64	(771)	2.92	(2716)
1836	1-1 55/64	(352)	3-0 23/64	(924)	3.50	(3252)
1840	1-1 55/64	(352)	3-6 23/64	(1076)	4.08	(3789)
1846	1-1 55/64	(352)	4-0 23/64	(1228)	4.66	(4326)
1850	1-1 55/64	(352)	4-6 23/64	(1381)	5.23	(4862)
1856	1-1 55/64	(352)	5-0 23/64	(1533)	5.81	(5399)
1860	1-1 55/64	(352)	5-6 23/64	(1686)	6.39	(5935)
2016	1-5 55/64	(454)	1-0 23/64	(314)	1.53	(1425)
2018	1-5 55/64	(454)	1-2 23/64	(365)	1.78	(1655)
2020	1-5 55/64	(454)	1-6 23/64	(466)	2.28	(2116)
2026	1-5 55/64	(454)	2-0 23/64	(619)	3.02	(2808)
2030	1-5 55/64	(454)	2-6 23/64	(771)	3.77	(3499)
2036	1-5 55/64	(454)	3-0 23/64	(924)	4.51	(4191)
2040	1-5 55/64	(454)	3-6 23/64	(1076)	5.26	(4882)
2046	1-5 55/64	(454)	4-0 23/64	(1228)	6.00	(5574)
2050	1-5 55/64	(454)	4-6 23/64	(1381)	6.74	(6265)
2056	1-5 55/64	(454)	5-0 23/64	(1533)	7.49	(6957)
2060	1-5 55/64	(454)	5-6 23/64	(1686)	8.23	(7648)

Lite and Vent Measurements - Awning

CN	Vent Opening Width		Vent Opening Height		Vent Opening	
	ft - in	mm	ft - in	mm	ft ²	cm ²
2516	1-10 55/64	(581)	1-0 23/64	(314)	1.96	(1824)
2518	1-10 55/64	(581)	1-2 23/64	(365)	2.28	(2119)
2520	1-10 55/64	(581)	1-6 23/64	(466)	2.92	(2709)
2526	1-10 55/64	(581)	2-0 23/64	(619)	3.87	(3594)
2530	1-10 55/64	(581)	2-6 23/64	(771)	4.82	(4479)
2536	1-10 55/64	(581)	3-0 23/64	(924)	5.77	(5364)
2540	1-10 55/64	(581)	3-6 23/64	(1076)	6.73	(6249)
2546	1-10 55/64	(581)	4-0 23/64	(1228)	7.68	(7134)
2550	1-10 55/64	(581)	4-6 23/64	(1381)	8.63	(8019)
2556	1-10 55/64	(581)	5-0 23/64	(1533)	9.58	(8904)
2560	1-10 55/64	(581)	5-6 23/64	(1686)	10.54	(9789)
2616	1-11 55/64	(606)	1-0 23/64	(314)	2.05	(1903)
2618	1-11 55/64	(606)	1-2 23/64	(365)	2.38	(2211)
2620	1-11 55/64	(606)	1-6 23/64	(466)	3.04	(2827)
2626	1-11 55/64	(606)	2-0 23/64	(619)	4.04	(3751)
2630	1-11 55/64	(606)	2-6 23/64	(771)	5.03	(4675)
2636	1-11 55/64	(606)	3-0 23/64	(924)	6.03	(5598)
2640	1-11 55/64	(606)	3-6 23/64	(1076)	7.02	(6522)
2646	1-11 55/64	(606)	4-0 23/64	(1228)	8.01	(7446)
2650	1-11 55/64	(606)	4-6 23/64	(1381)	9.01	(8369)
2656	1-11 55/64	(606)	5-0 23/64	(1533)	10.00	(9293)
2660	1-11 55/64	(606)	5-6 23/64	(1686)	11.00	(10217)
2916	2-2 55/64	(682)	1-0 23/64	(314)	2.31	(2143)
2918	2-2 55/64	(682)	1-2 23/64	(365)	2.68	(2489)
2920	2-2 55/64	(682)	1-6 23/64	(466)	3.43	(3182)
2926	2-2 55/64	(682)	2-0 23/64	(619)	4.54	(4222)
2930	2-2 55/64	(682)	2-6 23/64	(771)	5.66	(5262)
2936	2-2 55/64	(682)	3-0 23/64	(924)	6.78	(6302)
2940	2-2 55/64	(682)	3-6 23/64	(1076)	7.90	(7342)
2946	2-2 55/64	(682)	4-0 23/64	(1228)	9.02	(8382)
2950	2-2 55/64	(682)	4-6 23/64	(1381)	10.14	(9422)
2956	2-2 55/64	(682)	5-0 23/64	(1533)	11.26	(10461)
2960	2-2 55/64	(682)	5-6 23/64	(1686)	12.38	(11501)

Lite and Vent Measurements - Awning

CN	Vent Opening Width		Vent Opening Height		Vent Opening	
	ft - in	mm	ft - in	mm	ft ²	cm ²
3016	2-5 55/64	(759)	1-0 23/64	(314)	2.56	(2382)
3018	2-5 55/64	(759)	1-2 23/64	(365)	2.98	(2767)
3020	2-5 55/64	(759)	1-6 23/64	(466)	3.81	(3538)
3026	2-5 55/64	(759)	2-0 23/64	(619)	5.05	(4694)
3030	2-5 55/64	(759)	2-6 23/64	(771)	6.30	(5850)
3036	2-5 55/64	(759)	3-0 23/64	(924)	7.54	(7006)
3040	2-5 55/64	(759)	3-6 23/64	(1076)	8.79	(8162)
3046	2-5 55/64	(759)	4-0 23/64	(1228)	10.03	(9318)
3050	2-5 55/64	(759)	4-6 23/64	(1381)	11.27	(10474)
3056	2-5 55/64	(759)	5-0 23/64	(1533)	12.52	(11630)
3060	2-5 55/64	(759)	5-6 23/64	(1686)	13.76	(12786)
3616	2-11 55/64	(911)	1-0 23/64	(314)	3.08	(2860)
3618	2-11 55/64	(911)	1-2 23/64	(365)	3.58	(3323)
3620	2-11 55/64	(911)	1-6 23/64	(466)	4.57	(4249)
3626	2-11 55/64	(911)	2-0 23/64	(619)	6.07	(5637)
3630	2-11 55/64	(911)	2-6 23/64	(771)	7.56	(7025)
3636	2-11 55/64	(911)	3-0 23/64	(924)	9.06	(8413)
3640	2-11 55/64	(911)	3-6 23/64	(1076)	10.55	(9802)
3646	2-11 55/64	(911)	4-0 23/64	(1228)	12.04	(11190)
3650	2-11 55/64	(911)	4-6 23/64	(1381)	13.54	(12578)
3656	2-11 55/64	(911)	5-0 23/64	(1533)	15.03	(13966)
3660	2-11 55/64	(911)	5-6 23/64	(1686)	16.53	(15355)
4016	3-5 55/64	(1063)	1-0 23/64	(314)	3.59	(3339)
4018	3-5 55/64	(1063)	1-2 23/64	(365)	4.18	(3879)
4020	3-5 55/64	(1063)	1-6 23/64	(466)	5.34	(4960)
4026	3-5 55/64	(1063)	2-0 23/64	(619)	7.08	(6580)
4030	3-5 55/64	(1063)	2-6 23/64	(771)	8.83	(8201)
4036	3-5 55/64	(1063)	3-0 23/64	(924)	10.57	(9821)
4040	3-5 55/64	(1063)	3-6 23/64	(1076)	12.32	(11442)
4046	3-5 55/64	(1063)	4-0 23/64	(1228)	14.06	(13062)
4050	3-5 55/64	(1063)	4-6 23/64	(1381)	15.80	(14683)
4056	3-5 55/64	(1063)	5-0 23/64	(1533)	17.55	(16303)
4060	3-5 55/64	(1063)	5-6 23/64	(1686)	19.29	(17924)

Lite and Vent Measurements - Awning

CN	Vent Opening Width		Vent Opening Height		Vent Opening	
	ft - in	mm	ft - in	mm	ft ²	cm ²
4616	3-11 55/64	(1216)	1-0 23/64	(314)	4.11	(3818)
4619	3-11 55/64	(1216)	1-3 23/64	(390)	5.11	(4744)
4620	3-11 55/64	(1216)	1-6 23/64	(466)	6.10	(5670)
4626	3-11 55/64	(1216)	2-0 23/64	(619)	8.10	(7523)
4630	3-11 55/64	(1216)	2-6 23/64	(771)	10.09	(9376)
4636	3-11 55/64	(1216)	3-0 23/64	(924)	12.09	(11229)
4640	3-11 55/64	(1216)	3-6 23/64	(1076)	14.08	(13081)
4646	3-11 55/64	(1216)	4-0 23/64	(1228)	16.07	(14934)
4650	3-11 55/64	(1216)	4-6 23/64	(1381)	18.07	(16787)
4656	3-11 55/64	(1216)	5-0 23/64	(1533)	20.06	(18640)
4660	3-11 55/64	(1216)	5-6 23/64	(1686)	22.06	(20492)
5016	4-5 55/64	(1368)	1-0 23/64	(314)	4.62	(4296)
5019	4-5 55/64	(1368)	1-3 23/64	(390)	5.75	(5339)
5020	4-5 55/64	(1368)	1-6 23/64	(466)	6.87	(6381)
5026	4-5 55/64	(1368)	2-0 23/64	(619)	9.11	(8466)
5030	4-5 55/64	(1368)	2-6 23/64	(771)	11.36	(10551)
5036	4-5 55/64	(1368)	3-0 23/64	(924)	13.60	(12636)
5040	4-5 55/64	(1368)	3-6 23/64	(1076)	15.85	(14721)
5046	4-5 55/64	(1368)	4-0 23/64	(1228)	18.09	(16806)
5050	4-5 55/64	(1368)	4-6 23/64	(1381)	20.33	(18891)
5056	4-5 55/64	(1368)	5-0 23/64	(1533)	22.58	(20976)
5060	4-5 55/64	(1368)	5-6 23/64	(1686)	24.82	(23061)
5616	4-11 55/64	(1521)	1-0 23/64	(314)	5.14	(4775)
5619	4-11 55/64	(1521)	1-3 23/64	(390)	6.39	(5933)
5620	4-11 55/64	(1521)	1-6 23/64	(466)	7.63	(7092)
5626	4-11 55/64	(1521)	2-0 23/64	(619)	10.13	(9409)
5630	4-11 55/64	(1521)	2-6 23/64	(771)	12.62	(11727)
5636	4-11 55/64	(1521)	3-0 23/64	(924)	15.12	(14044)
5640	4-11 55/64	(1521)	3-6 23/64	(1076)	17.61	(16361)
5646	4-11 55/64	(1521)	4-0 23/64	(1228)	20.11	(18678)
5650	4-11 55/64	(1521)	4-6 23/64	(1381)	22.60	(20996)
6016	5-5 55/64	(1673)	1-0 23/64	(314)	5.65	(5253)
6019	5-5 55/64	(1673)	1-3 23/64	(390)	7.03	(6528)
6020	5-5 55/64	(1673)	1-6 23/64	(466)	8.40	(7803)
6026	5-5 55/64	(1673)	2-0 23/64	(619)	11.14	(10352)
6030	5-5 55/64	(1673)	2-6 23/64	(771)	13.89	(12902)
6036	5-5 55/64	(1673)	3-0 23/64	(924)	16.63	(15451)
6040	5-5 55/64	(1673)	3-6 23/64	(1076)	19.38	(18001)
6046	5-5 55/64	(1673)	4-0 23/64	(1228)	22.12	(20550)
6050	5-5 55/64	(1673)	4-6 23/64	(1381)	24.86	(23100)

Measurement Conversions
Operating Casement and Awning

Unit Measurements - Operator Casement and Awning					
From	To	Width		Height	
Frame Measurements		in	mm	in	mm
Masonry Opening	Rough Opening	+ 1/2	(13)	+ 1/4	(6)
OM of Frame	Rough Opening	+ 1	(25)	+ 1/2	(13)
Glass Size	Rough Opening	+ 5 3/16	(132)	+ 4 11/16	(119)
Sash Opening	Rough Opening	+ 2 13/64	(56)	+ 1 45/64	(43)
Masonry Opening	Inside Opening	-1/8	-(3)	0	()
OM of Frame	Inside Opening	+ 3/8	(10)	+ 1/4	(6)
Glass Size	Inside Opening	+ 4 9/16	(116)	+ 4 7/16	(113)
Sash Opening	Inside Opening	+ 1 37/64	(40)	+ 1 29/64	(37)
Sash		in	mm	in	mm
Glass Size	OM of Sash	+ 2 41/64	(67)	+ 2 41/64	(67)
OM of Sash	Rough Opening	+ 2 35/64	(65)	+ 2 3/64	(52)
OM of Sash	Inside Opening	+ 1 59/64	(49)	+ 1 51/64	(46)
Glass Size	Daylight Opening	-1 37/64	-(40)	-1 37/64	-(40)
Rough Opening	Daylight Opening	-6 49/64	-(172)	-6 17/64	-(159)
Inside Opening	Daylight Opening	-6 9/64	-(156)	-6 1/64	-(153)
Screen		in	mm	in	mm
Rough Opening	OM of Screen	-5 1/16	(129)	-5 3/64	(128)
Inside Opening	OM of Screen	-4 7/16	(113)	-4 51/64	(122)
Daylight Opening	OM of Screen	+ 1 5/8	(41)	+ 1 7/32	(31)

Casement Picture

Unit Measurement - Casement Picture					
From	To	Width		Height	
Frame Measurements		in	mm	in	mm
Masonry Opening	Rough Opening	+ 1/2	(13)	+ 1/4	(6)
OM of Frame	Rough Opening	+ 1	(25)	+ 1/2	(13)
Glass Size	Rough Opening	+ 5 3/16	(132)	+ 4 11/16	(119)
Sash Opening	Rough Opening	+ 2 5/32	(55)	+ 2 5/32	(55)
Masonry Opening	Inside Opening	-1/8	-(3)	0	()
OM of Frame	Inside Opening	+ 3/8	(10)	+ 1/4	(6)
Glass Size	Inside Opening	+ 4 9/16	(116)	+ 4 7/16	(113)
Sash Opening	Inside Opening	+ 1 37/64	(40)	+ 1 29/64	(37)
Sash		in	mm	in	mm
Glass Size	OM of Sash	+ 2 41/64	(67)	+ 2 41/64	(67)
OM of Sash	Rough Opening	+ 2 35/64	(65)	+ 2 3/64	(52)
OM of Sash	Inside Opening	+ 1 59/64	(49)	+ 1 51/64	(46)
Glass Size	Daylight Opening	-1 37/64	(40)	-1 37/64	(40)
Rough Opening	Daylight Opening	-6 49/64	(172)	-6 17/64	(159)
Inside Opening	Daylight Opening	-6 9/64	(156)	-6 1/64	(153)

STC/OITC Charts

Performance Chart

Vivid Casement Family STC/OITC Ratings							
Frame Type	Exterior Pane (mm)	Airspace (mm)	Interior Glazing or Center Glazing (mm)	Airspace (mm)	Interior Glazing (mm)	STC	OITC
VCA	1/8" (3.1)	1/2" (13.0)	1/8" (3.1)	--	--	29	24
	1/8" (3.1)	7/16" (11.5)	3/16" (4.7)	--	--	32	28
	1/8" (3.1)	3/8" (9.8)	1/8" (3.1)	3/8" (9.8)	1/8" (3.1)	30	24
	3/16" (4.7)	5/16" (8.0)	5/32" (3.9)	5/16" (8.0)	3/16" (4.7)	30	25
VAWN	1/8" (3.1)	1/2" (13.0)	1/8" (3.1)	--	--	28	24
	1/8" (3.1)	7/16" (11.5)	3/16" (4.7)	--	--	33	28
	1/8" (3.1)	3/8" (9.8)	1/8" (3.1)	3/8" (9.8)	1/8" (3.1)	28	23
	3/16" (4.7)	5/16" (8.0)	5/32" (3.9)	5/16" (8.0)	3/16" (4.7)	30	24
VCAP	1/8" (3.1)	1/2" (13.0)	1/8" (3.1)	--	--	28	24
	1/8" (3.1)	7/16" (11.5)	3/16" (4.7)	--	--	32	27
	1/8" (3.1)	3/8" (9.8)	1/8" (3.1)	3/8" (9.8)	1/8" (3.1)	28	23
	3/16" (4.7)	5/16" (8.0)	5/32" (3.9)	5/16" (8.0)	3/16" (4.7)	32	26

STC/OITC CHARTS

Availability Chart - Casement

		Width (CN)							
		16	18	20	25	26	29	30	36
Height (CN)	16								
	18								
	20								
	26								
	30								
	36								
	40								
	46								
	50								
	56								
	60								
	66								
	70								
	76								
	80								

 STC/OITC Upgrade Available

 STC/OITC Upgrade NOT Available

NOTE:


This chart is for reference only. For exact limits of STC/OITC upgrade refer to OMS or contact a Marvin Sales & Support representative.

Availability Chart - Awning

		Width (CN)												
		16	18	20	25	26	29	30	36	40	46	50	56	60
Height (CN)	16													
	18													
	20													
	26													
	30													
	36													
	40													
	46													
	50													
	56													
	60													

 STC/OITC Upgrade Available

 STC/OITC Upgrade NOT Available

 Unit not available

NOTE:

This chart is for reference only. For exact limits of STC/OITC upgrade refer to OMS or contact a Marvin Sales & Support representative.


STC/OITC CHARTS

Availability Chart - Casement Picture

		Width (CN)																
		16	18	20	25	26	29	30	36	40	46	50	56	60	66	70	76	80
Height (CN)	16	Available	Available	Available	Available	Available	Available	Available	Available	Available	Available	Available	Available	Available	Available	Available	Available	Available
	18	Available	Available	Available	Available	Available	Available	Available	Available	Available	Available	Available	Available	Available	Available	Available	Available	Available
	20	Available	Available	Available	Available	Available	Available	Available	Available	Available	Available	Available	Available	Available	Available	Available	Available	Available
	26	Available	Available	Available	Available	Available	Available	Available	Available	Available	Available	Available	Available	Available	Available	Available	Available	Available
	30	Available	Available	Available	Available	Available	Available	Available	Available	Available	Available	Available	Available	Available	Available	Available	Available	Available
	36	Available	Available	Available	Available	Available	Available	Available	Available	Available	Available	Available	Available	Available	Available	Available	Available	Available
	40	Available	Available	Available	Available	Available	Available	Available	Available	Available	Available	Available	Available	Available	Available	Available	Available	Available
	46	Available	Available	Available	Available	Available	Available	Available	Available	Available	Available	Available	Available	Available	Available	Available	Available	Available
	50	Available	Available	Available	Available	Available	Available	Available	Available	Available	Available	Available	Available	Available	Available	Available	Available	Available
	56	Available	Available	Available	Available	Available	Available	Available	Available	Available	Available	Available	Available	Available	Available	Available	Available	Available
	60	Available	Available	Available	Available	Available	Available	Available	Available	Available	Available	Available	Available	Available	Available	Available	Available	Available
	66	Available	Available	Available	Available	Available	Available	Available	Available	Available	Available	Available	Available	Available	Available	Available	Available	Available
	70	Available	Available	Available	Available	Available	Available	Available	Available	Available	Available	Available	Available	Available	Available	Available	Available	Available
	76	Available	Available	Available	Available	Available	Available	Available	Available	Available	Available	Available	Available	Available	Available	Available	Available	Available
	80	Available	Available	Available	Available	Available	Available	Available	Available	Available	Available	Available	Available	Available	Available	Available	Available	Available

 STC/OITC Upgrade Available

 STC/OITC Upgrade NOT Available

 Unit not available

NOTE:

This chart is for reference only. For exact limits of STC/OITC upgrade refer to OMS or contact a Marvin Sales & Support representative.

Mulling Information

Mulling Guidelines and Performance

- Two Mull Systems:
 - Standard Mull: includes mull pin, sealing tape, installation brackets, exterior and interior trim.
 - 1/2" Mull Reinforcement (MRF): 1/2" space mull includes interlocking opposing mull pins, sealing weather strip, installation brackets, exterior and interior trim.
- Prep for field mull option. Assemblies will be prepared for field mulling by applying as many of the components as possible and providing the required mulling kits automatically.
 - Jamb Extensions will be shipped separate.
- Kits include instructions, mull covers, mull plugs and brackets, shipped separate.

Performance Ratings

The total configuration rating is the lowest performance between the units in the mull and the mullion itself. For example, PG50 windows attached with a PG25 mullion have an assembly rated to PG25.

Standard Mull (PG25)

- Vertical (Ribbon) Mulls:
 - **Maximum Factory Assembled (by Frame Size):** not to exceed 144" (3658) x 96" (2438)
 - **Maximum Certified Continuous Span x Tributary Width (Frame Size):** not to exceed 96" (2438) x 72" (1829)
- Horizontal (Stacked) Mulls:
 - **Maximum Factory Assembled (by Frame Size):** not to exceed 96" (2438) x 96" (2438)
 - **Maximum Certified Continuous Span x Tributary Width (Frame Size):** not to exceed 96" (3658) x 72" (1829)
- Multi-Wide x Multi-High Mulls: Not available.

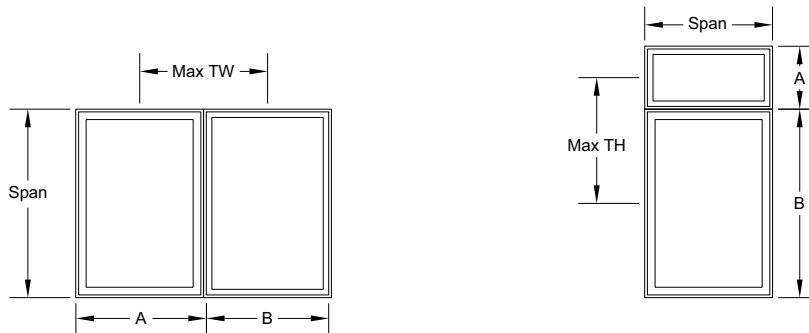
Mull Reinforcement (PG40)

- Vertical (Ribbon) Mulls
 - **Maximum Factory Assembled (by Frame Size):** not to exceed 144" (3657) x 96" (2438)
 - **Maximum Certified Continuous Span x Tributary Width (Frame Size):** not to exceed 96" (2438) x 72 1/2" (1841)
- Horizontal (Stacked) Mulls
 - **Maximum Factory Assembled (by Frame Size):** not to exceed 96" (2438) x 96" (2438)
 - **Maximum Certified Continuous Span x Tributary Width (Frame Size):** not to exceed 96" (2438) x 72 1/2" (1841)

Mull Reinforcement (PG50)

- Vertical (Ribbon) Mulls
 - **Maximum Factory Assembled (by Frame Size):** not to exceed 112 1/2" (2857) x 96" (2438)
 - **Maximum Certified Continuous Span x Tributary Width (Frame Size):** not to exceed 96" (2438) x 56 1/2" (1435)
- Horizontal (Stacked) Mulls
 - **Maximum Factory Assembled (by Frame Size):** not to exceed 96" (2438) x 96" (2438)
 - **Maximum Certified Continuous Span x Tributary Width (Frame Size):** not to exceed 96" (2438) x 56 1/2" (1435)
- Multi-Wide x Multi-High Mulls
 - **Maximum Factory Assembled (by Frame Size):** not to exceed 96" (2438) x 96" (2438)
 - **Maximum Certified Continuous Span x Tributary Width (Frame Size):** not to exceed 96" (2438) x 48 1/4" (1225)

Tributary Width (TW) or Height (TH) = $(A+B)/2+(S)$, where (S) = 0 for Standard Mulls and (S)=1/2" for MRF Mulls. (S) is not Span, but it is the space between mulls.



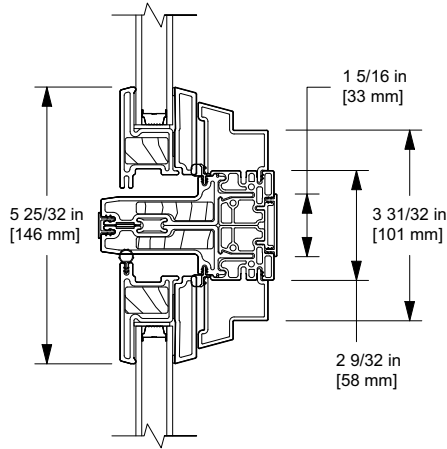
NOTE: Field mulling window assemblies beyond the above limitations is not recommended and not certified.

Mulling (Continued)

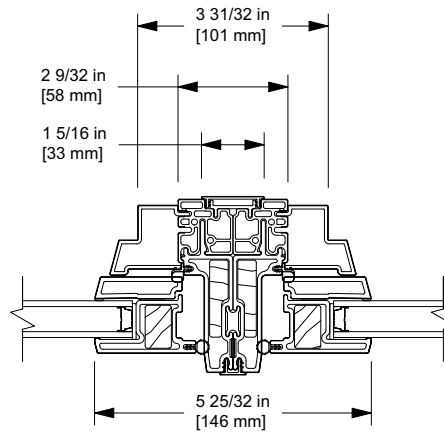
Mull Types and Section Details

Standard Mull (Frame-to-Frame)

- Mull certification includes 6" Split Mull Gussets for field mulls or 12" Mull Gussets for factory mulls at all mull joints.
- Configurations not offered: Stepped mulls, Palladians, Polygon Shapes

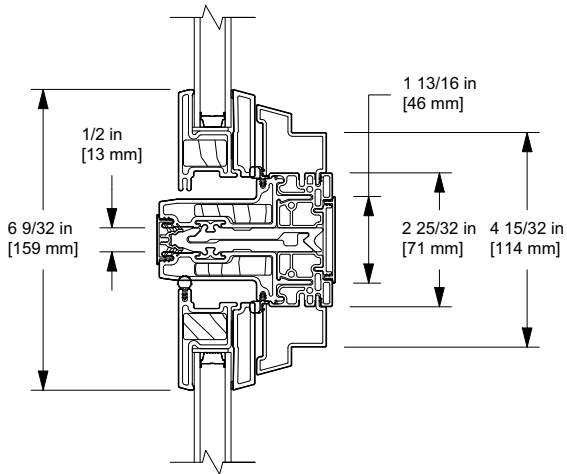


Horizontal Standard Mull

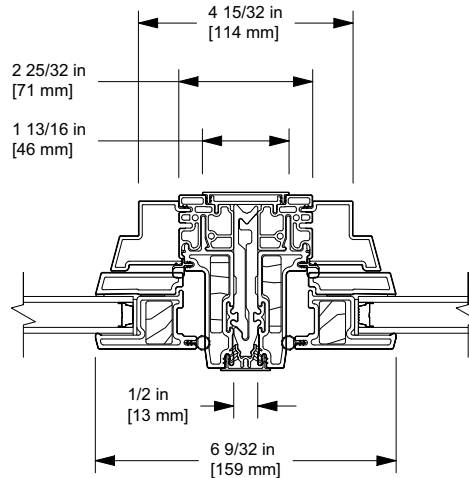


Vertical Standard Mull

Mull Reinforcement (MRF)



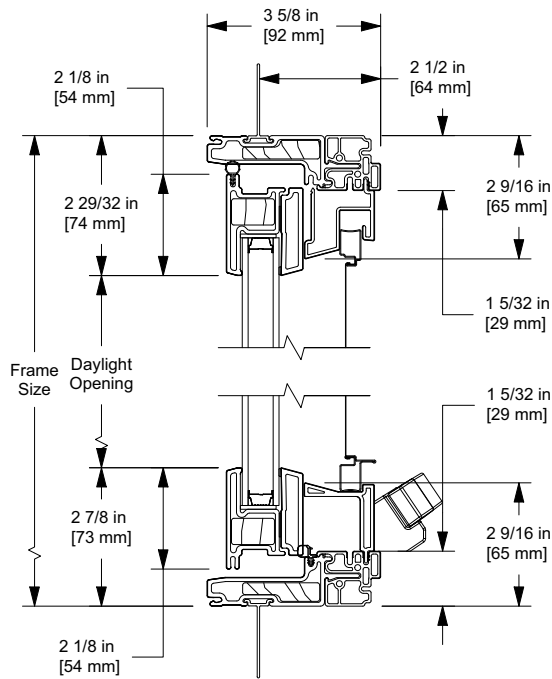
Horizontal Mull Reinforcement



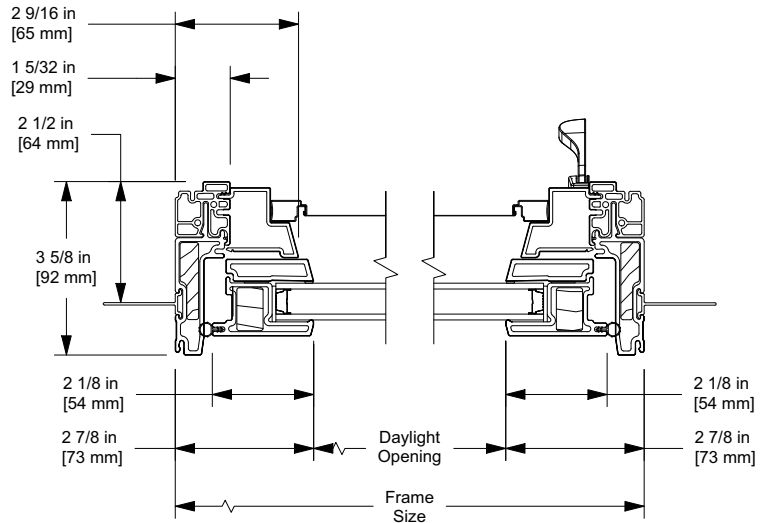
Vertical Mull Reinforcement

Section Details: Dual Pane IG

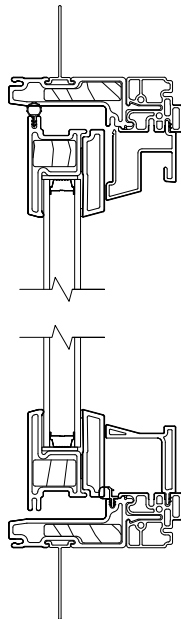
Scale: 3" = 1' 0"



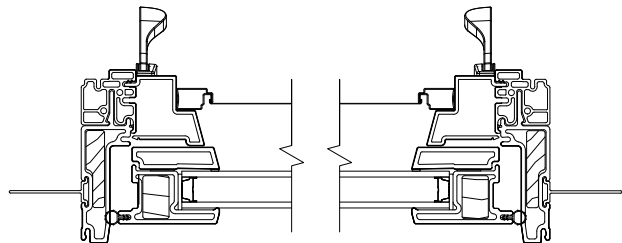
Casement/Awning Operator Head Jamb and Sill



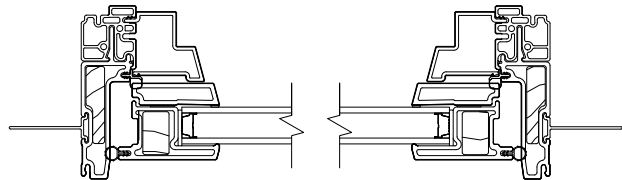
Casement Operator Side Jamb



Casement Picture Head Jamb and Sill



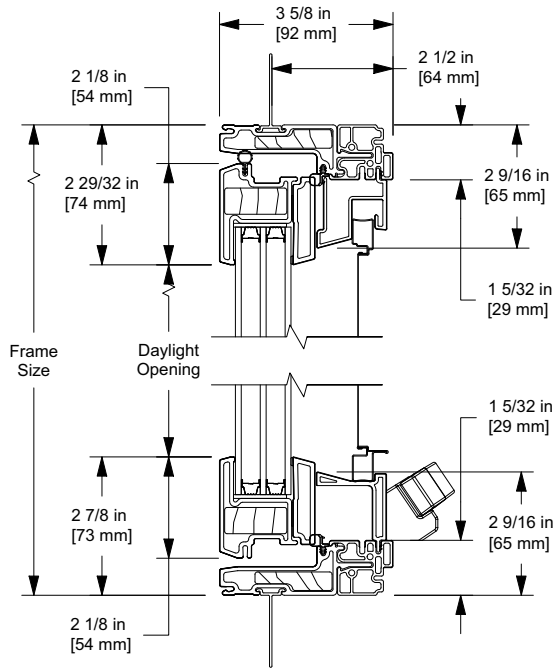
Awning Operator Side Jamb



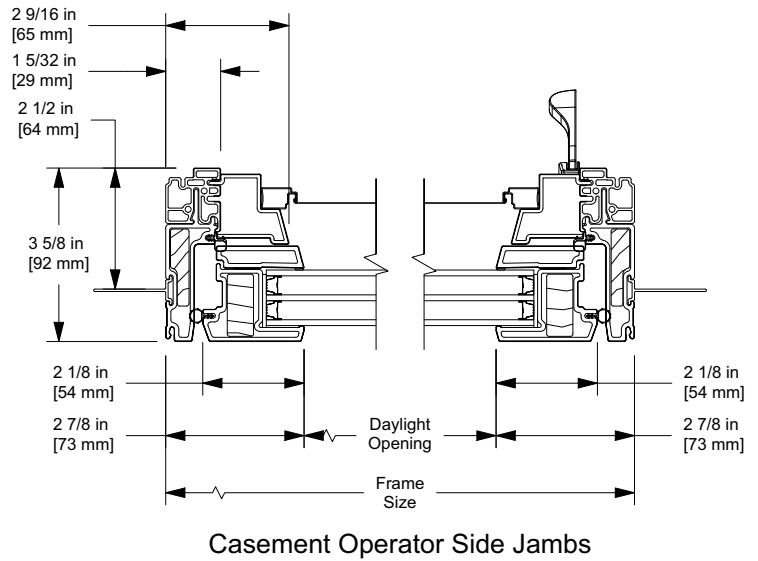
Casement Picture Side Jamb

Section Details: Triple Pane IG

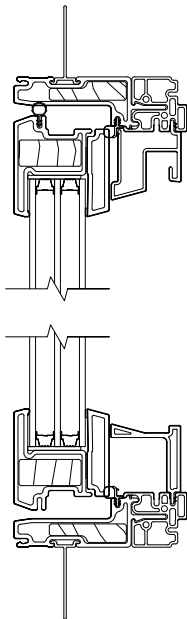
Scale: 3" = 1' 0"



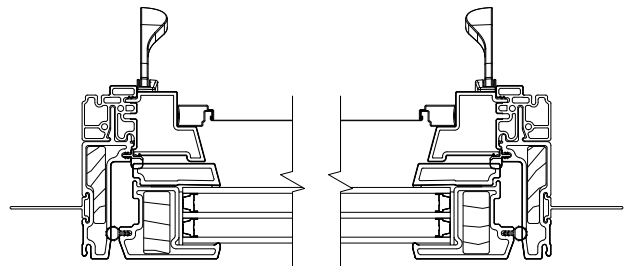
Casement/Awning Operator Head Jamb and Sill



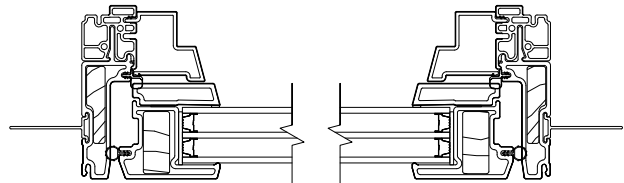
Casement Operator Side Jamb



Casement Picture Head Jamb and Sill



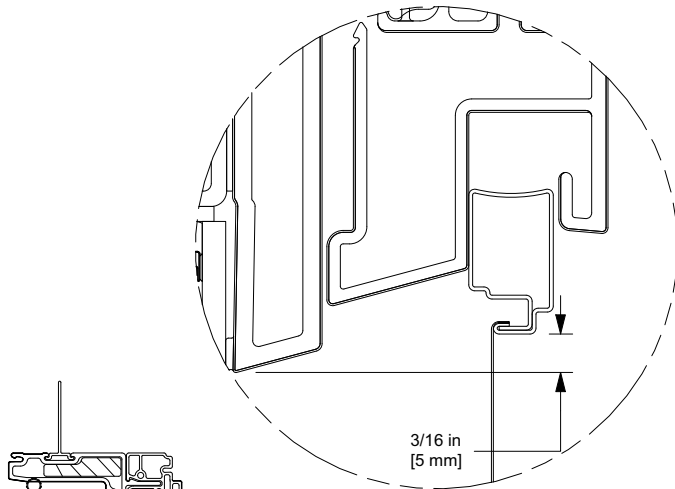
Awning Operator Side Jamb



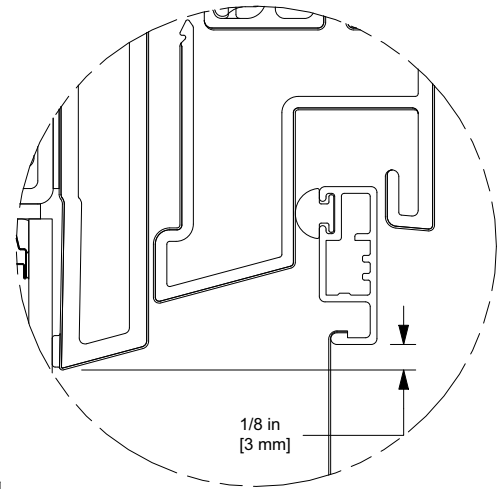
Casement Picture Side Jamb

Screen Options

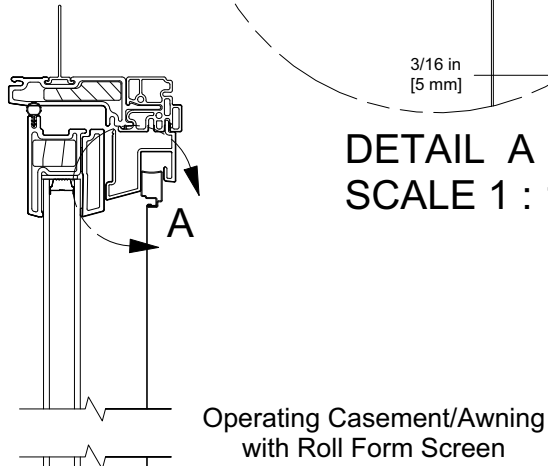
Scale: 3" = 1' 0"



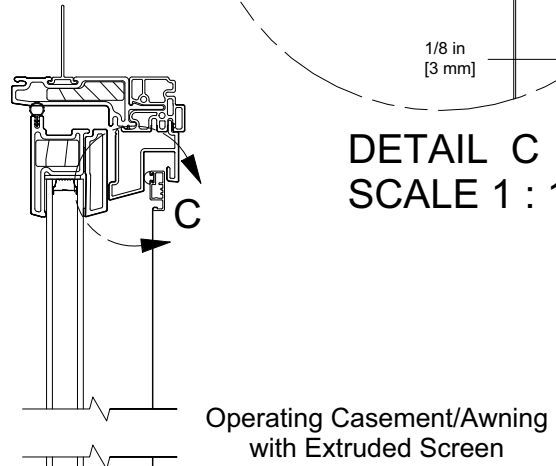
DETAIL A
SCALE 1 : 1



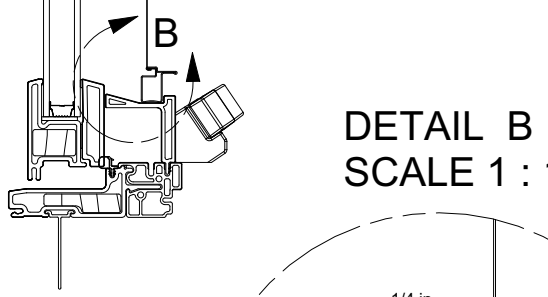
DETAIL C
SCALE 1 : 1



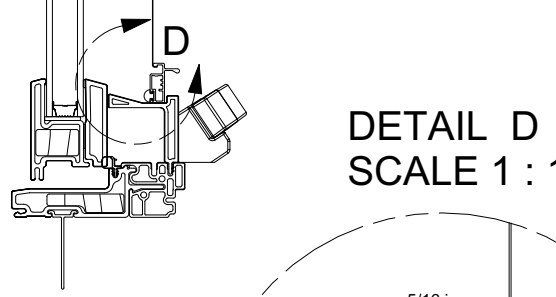
Operating Casement/Awning
with Roll Form Screen



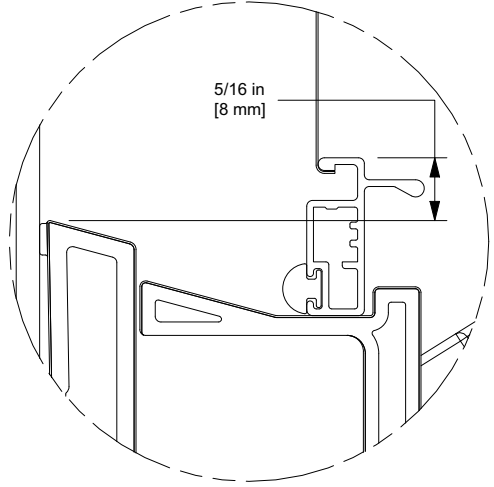
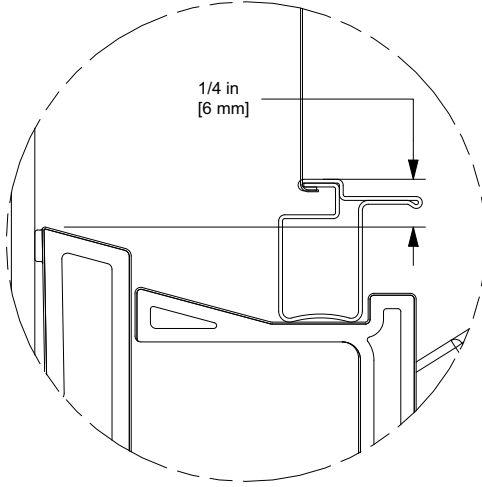
Operating Casement/Awning
with Extruded Screen



DETAIL B
SCALE 1 : 1

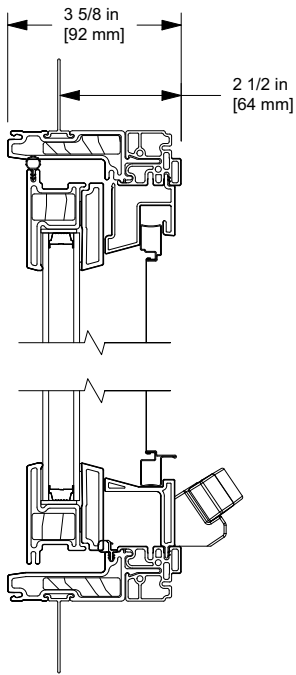


DETAIL D
SCALE 1 : 1

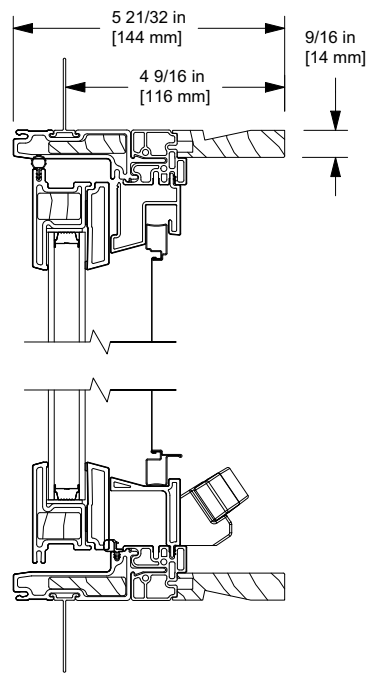


Jamb Extension Options

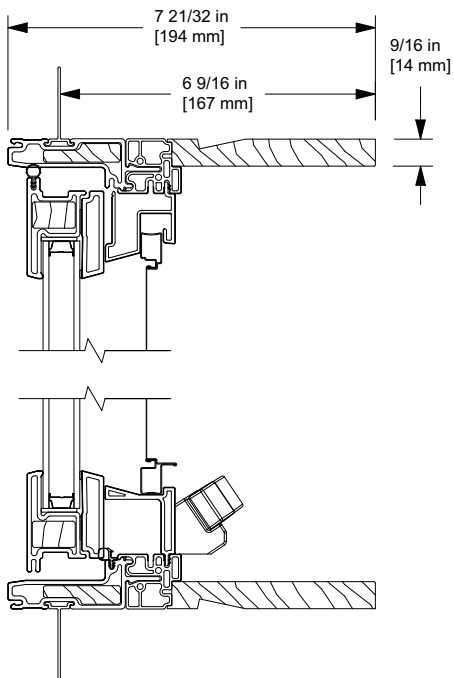
Scale: 3" = 1' 0"



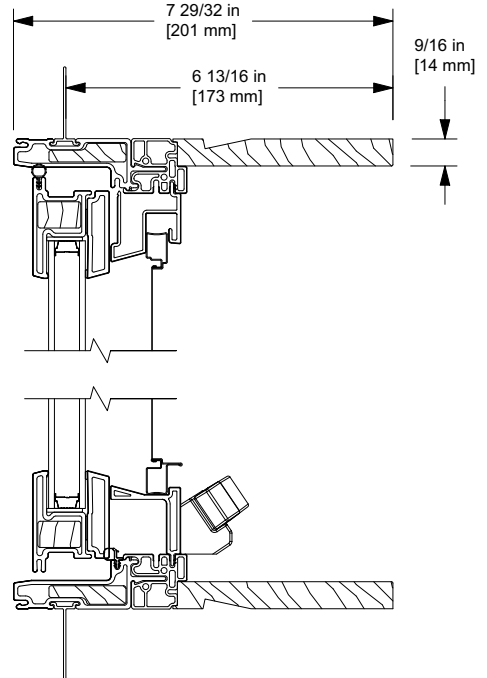
Standard Jamb Depth



4 9/16 inch Jamb



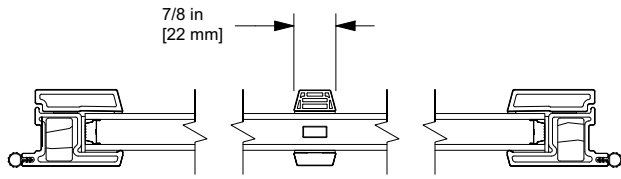
6 9/16 inch Jamb



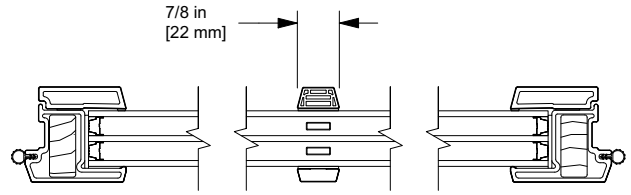
6 13/16 inch Jamb

Divided Lite Options

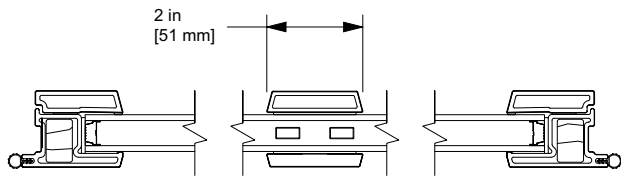
Scale: 3" = 1' 0"



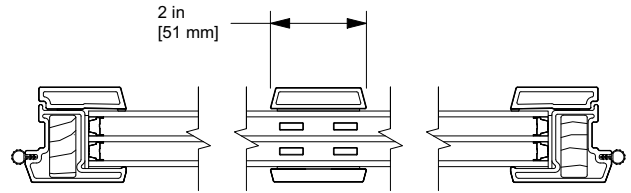
SDL, 7/8 inch



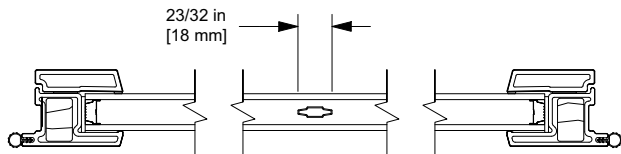
SDL, 7/8 inch



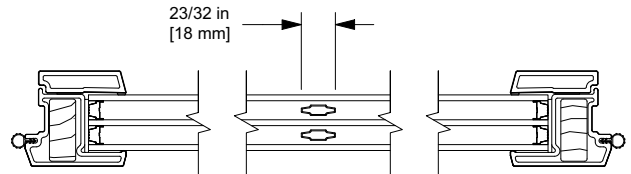
Simulated Check Rail



Simulated Check Rail



GBG, Contoured



GBG, Contoured

Divided Lite Options

Lite Cut Patterns

Casement Default Rectangular Lite Pattern per sash - GBG or SDLS

Standard CN Height	Standard CN Width							
	16	18	20	25	26	29	30	36
16	2W2H	2W2H	2W2H	2W2H	3W2H	3W2H	3W2H	4W2H
18	2W2H	2W2H	2W2H	2W2H	3W2H	3W2H	3W2H	4W2H
20	2W2H	2W2H	2W2H	2W2H	3W2H	3W2H	3W2H	4W2H
26	2W2H	2W2H	2W2H	2W2H	3W2H	3W2H	3W2H	4W2H
30	2W2H	2W2H	2W2H	2W2H	3W2H	3W2H	3W2H	4W2H
36	2W3H	2W3H	2W3H	2W3H	3W3H	3W3H	3W3H	4W3H
40	2W3H	2W3H	2W3H	2W3H	3W3H	3W3H	3W3H	4W3H
46	2W4H	2W4H	2W4H	2W4H	3W4H	3W4H	3W4H	4W4H
50	2W4H	2W4H	2W4H	2W4H	3W4H	3W4H	3W4H	4W4H
56	2W5H	2W5H	2W5H	2W5H	3W5H	3W5H	3W5H	4W5H
60	2W5H	2W5H	2W5H	2W5H	3W5H	3W5H	3W5H	4W5H
66	2W6H	2W6H	2W6H	2W6H	3W6H	3W6H	3W6H	4W6H
70	2W6H	2W6H	2W6H	2W6H	3W6H	3W6H	3W6H	4W6H
76	2W7H	2W7H	2W7H	2W7H	3W7H	3W7H	3W7H	4W7H
80	2W7H	2W7H	2W7H	2W7H	3W7H	3W7H	3W7H	4W7H

Casement Optional Standard Cottage Pattern per sash - GBG or SDLS

Standard CN Height	Standard CN Width							
	16	18	20	25	26	29	30	36
All Heights	3-Lite	3-Lite	3-Lite	4-Lite	4-Lite	4-Lite	4-Lite	5-Lite

Awning Default Rectangular Lite Pattern per sash - GBG or SDLS

Standard CN Height	Standard CN Width												
	16	18	20	25	26	29	30	36	40	46	50	56	60
16	2W2H	2W2H	2W2H	3W2H	3W2H	3W2H	3W2H	4W2H	4W2H	5W2H	5W2H	6W2H	6W2H
18	2W2H	2W2H	2W2H	3W2H	3W2H	3W2H	3W2H	4W2H	4W2H	5W2H	5W2H	6W2H	6W2H
20	2W2H	2W2H	2W2H	3W2H	3W2H	3W2H	3W2H	4W2H	4W2H	5W2H	5W2H	6W2H	6W2H
26	2W2H	2W2H	2W2H	3W2H	3W2H	3W2H	3W2H	4W2H	4W2H	5W2H	5W2H	6W2H	6W2H
30	2W2H	2W2H	2W2H	3W2H	3W2H	3W2H	3W2H	4W2H	4W2H	5W2H	5W2H	6W2H	6W2H
36	2W3H	2W3H	2W3H	3W3H	3W3H	3W3H	3W3H	4W3H	4W3H	5W3H	5W3H	6W3H	6W3H
40	2W3H	2W3H	2W3H	3W3H	3W3H	3W3H	3W3H	4W3H	4W3H	5W3H	5W3H	6W3H	6W3H
46	2W4H	2W4H	2W4H	3W4H	3W4H	3W4H	3W4H	4W4H	4W4H	5W4H	5W4H	6W4H	6W4H
50	2W4H	2W4H	2W4H	3W4H	3W4H	3W4H	3W4H	4W4H	4W4H	5W4H	5W4H	6W4H	6W4H
56	2W5H	2W5H	2W5H	3W5H	3W5H	3W5H	3W5H	4W5H	4W5H	5W5H	5W5H	N/A	N/A
60	2W5H	2W5H	2W5H	3W5H	3W5H	3W5H	3W5H	4W5H	4W5H	5W5H	5W5H	N/A	N/A

Awning Optional Standard Cottage Pattern per sash - GBG or SDLS

Standard CN Height	Standard CN Width												
	16	18	20	25	26	29	30	36	40	46	50	56	60
All Heights	3-Lite	3-Lite	3-Lite	3-Lite	4-Lite	4-Lite	4-Lite	5-Lite	5-Lite	6-Lite	6-Lite	7-Lite	7-Lite

NOTE: See Notes on Divided Lites on next page.

Divided Lite Options

Lite Cut Patterns

Casement Picture Default Rectangular Lite Pattern per sash - GBG or SDLS

Standard CN Height	Standard CN Width																
	16	18	20	25	26	29	30	36	40	46	50	56	60	66	70	76	80
16	2W2H	2W2H	2W2H	3W2H	3W2H	3W2H	3W2H	4W2H	4W2H	5W2H	5W2H	6W2H	6W2H	7W2H	7W2H	8W2H	8W2H
18	2W2H	2W2H	2W2H	3W2H	3W2H	3W2H	3W2H	4W2H	4W2H	5W2H	5W2H	6W2H	6W2H	7W2H	7W2H	8W2H	8W2H
20	2W2H	2W2H	2W2H	3W2H	3W2H	3W2H	3W2H	4W2H	4W2H	5W2H	5W2H	6W2H	6W2H	7W2H	7W2H	8W2H	8W2H
26	2W2H	2W2H	2W2H	3W2H	3W2H	3W2H	3W2H	4W2H	4W2H	5W2H	5W2H	6W2H	6W2H	7W2H	7W2H	8W2H	8W2H
30	2W2H	2W2H	2W2H	3W2H	3W2H	3W2H	3W2H	4W2H	4W2H	5W2H	5W2H	6W2H	6W2H	7W2H	7W2H	8W2H	8W2H
36	2W3H	2W3H	2W3H	3W3H	3W3H	3W3H	3W3H	4W3H	4W3H	5W3H	5W3H	6W3H	6W3H	7W3H	7W3H	8W3H	8W3H
40	2W3H	2W3H	2W3H	3W3H	3W3H	3W3H	3W3H	4W3H	4W3H	5W3H	5W3H	6W3H	6W3H	7W3H	7W3H	8W3H	8W3H
46	2W4H	2W4H	2W4H	3W4H	3W4H	3W4H	3W4H	4W4H	4W4H	5W4H	5W4H	6W4H	6W4H	7W4H	7W4H	8W4H	8W4H
50	2W4H	2W4H	2W4H	3W4H	3W4H	3W4H	3W4H	4W4H	4W4H	5W4H	5W4H	6W4H	6W4H	7W4H	7W4H	8W4H	8W4H
56	2W5H	2W5H	2W5H	3W5H	3W5H	3W5H	3W5H	4W5H	4W5H	5W5H	5W5H	6W5H	6W5H	7W5H	7W5H	8W5H	8W5H
60	2W5H	2W5H	2W5H	3W5H	3W5H	3W5H	3W5H	4W5H	4W5H	5W5H	5W5H	6W5H	6W5H	7W5H	7W5H	8W5H	8W5H
66	2W6H	2W6H	2W6H	3W6H	3W6H	3W6H	3W6H	4W6H	4W6H	5W6H	5W6H	6W6H	6W6H	N/A	N/A	N/A	N/A
70	2W6H	2W6H	2W6H	3W6H	3W6H	3W6H	3W6H	4W6H	4W6H	5W6H	5W6H	6W6H	6W6H	N/A	N/A	N/A	N/A
76	2W7H	2W7H	2W7H	3W7H	3W7H	3W7H	3W7H	4W7H	4W7H	5W7H	5W7H	6W7H	6W7H	N/A	N/A	N/A	N/A
80	2W7H	2W7H	2W7H	3W7H	3W7H	3W7H	3W7H	4W7H	4W7H	5W7H	5W7H	6W7H	6W7H	N/A	N/A	N/A	N/A

Casement Picture Optional Standard Cottage Pattern per sash - GBG or SDLS

Standard CN Height	Standard CN Width																
	16	18	20	25	26	29	30	36	40	46	50	56	60	66	70	76	80
All Heights	3-Lite	3-Lite	3-Lite	4-Lite	4-Lite	4-Lite	4-Lite	5-Lite	5-Lite	6-Lite	6-Lite	7-Lite	8-Lite	8-Lite	9-Lite	9-Lite	10-Lite

NOTES:

- Rectangle GBGs and SDLS for special size units will default to the next smaller standard size lite pattern. Also available with Prairie patterns, Cottage patterns, and customer specified equal rectangular lite patterns.
- Prairie available in 9 lite and 6 lite and 4 lite top, bottom, left, and right patterns.
- Cottage GBGs and SDLS for special size units will default to the next smaller standard size lite pattern. Cottage GBGs and SDLS are also available in customer selected lite patterns.
- Trellis Horizontal GBGs and SDLS are also available in customer selected lite patterns.
- Minimum DLO measurement for equal lite GBG option is 3" (76) and will be validated by OMS.
- Minimum DLO measurement for SDLS options is 4" (102) and will be validated by OMS.
- Standard DLO measurement for Prairie GBG and SDLS options is 4" (102). Special DLO corners are not available.
- Standard DLO height measurement for Cottage GBG and SDLS options is 10" (254). Minimum DLO height is 3" (76). for GBG and 4" (102) for SDLS for both one and two high patterns.
- GBGs are not available with an unsupported bar length >72" (1829).
- GBGs are not available on Triple Pane VCA products above certain sizes and will be validated by OMS.
- Simulated Rail: Rectangular, Prairie 6-Lite and 9-Lite SDL patterns are available with Simulated Rail.
- Simulated Rail: Custom ratio and specified DLO are available with Simulated Rail and will be validated by OMS.