



Ultimate and Ultimate Wood Casement Collection

Replacement Parts

Specifications and technical data are subject to change without notice.

Numbers listed in () parentheses are metric equivalents in millimeters rounded to the nearest whole number.

Suggested fasteners are not included and must be ordered separately.

Illustrations are not to scale.

Contents

| | |
|--|----|
| Product History..... | 4 |
| Ultimate Casement/Awning | 6 |
| Ultimate Casement/Awning Picture..... | 7 |
| Ultimate Casement Corner | 8 |
| Ultimate Casement/Awning Push Out | 9 |
| Ultimate Casement/Awning Push Out Picture..... | 10 |
| Ultimate Casement Round Top..... | 11 |
| Ultimate Casement Stationary Round Top..... | 12 |
| Ultimate Casement Operator Polygon | 13 |
| Ultimate Casement Stationary Polygon..... | 14 |
| Ultimate French Casement..... | 15 |
| Ultimate French Casement Stationary..... | 16 |
| Ultimate French Casement Push Out..... | 17 |
| Ultimate French Casement Push Out Stationary..... | 18 |
| Ultimate Casement Venting Picture | 19 |
| Ultimate Casement/Awning Narrow Frame | 20 |
| Ultimate Casement/Awning Narrow Frame Picture..... | 21 |
| Ultimate Casement/Awning Narrow Frame Push Out | 22 |
| Ultimate Casement/Awn Narrow Frame Push Out Picture..... | 23 |
| Ultimate Casement Narrow Frame Operator Round Top | 24 |
| Ultimate Casement Narrow Frame Stationary Round Top..... | 25 |
| Ultimate Casement Narrow Frame Operator Polygon | 26 |
| Ultimate Casement Narrow Frame Stationary Polygon | 27 |
| Ultimate French Casement Narrow Frame Push Out..... | 28 |
| Ultimate French Casement Narrow Frame Push Out Stationary..... | 29 |
| Ultimate Wood Casement/Awning | 30 |
| Ultimate Wood Casement/Awning Picture..... | 31 |
| Ultimate Wood Casement/Awning Push Out | 32 |
| Ultimate Wood Casement/Awning Push Out Picture..... | 33 |
| Ultimate Wood Casement Round Top..... | 34 |
| Ultimate Wood Casement Stationary Round Top..... | 35 |

Contents continued on next page

Contents (cont.)

| | |
|--|-----|
| Ultimate Wood Casement Operator Polygon | 36 |
| Ultimate Wood Casement Stationary Polygon | 37 |
| Ultimate Wood French Casement | 38 |
| Ultimate Wood French Casement Stationary | 39 |
| Ultimate Wood French Casement Push Out | 40 |
| Ultimate Wood French Casement Push Out Stationary | 41 |
| Ultimate Wood Casement/Awning Narrow Frame - DISC-NA 8/30/21 | 42 |
| Ultimate Wood Casement/Awning Narrow Frame Picture - DISC-NA 8/30/21 | 43 |
| Ultimate Wood Casement/Awning Narrow Frame Push Out - DISC-NA 8/30/21 | 44 |
| Ultimate Wood Casement/Awn Narrow Frame Push Out Picture - DISC-NA 8/30/21 | 45 |
| Ultimate Wood Casement Narrow Frame Operator Round Top - DISC-NA 8/30/21 | 46 |
| Ultimate Wood Casement Narrow Frame Stationary Round Top - DISC-NA 8/30/21 | 47 |
| Ultimate Wood Casement Narrow Frame Operator Polygon - DISC-NA 8/30/21 | 48 |
| Ultimate Wood Casement Narrow Frame Stationary Polygon - DISC-NA 8/30/21 | 49 |
| Installation Parts | 50 |
| Handles | 51 |
| Hinges | 55 |
| Hinges - Discontinued Limited Availability (LA) | 62 |
| Operators | 63 |
| Operators - Discontinued No Availability (NA) | 68 |
| Locking Hardware | 69 |
| Locking Hardware - Discontinued No Availability (NA) | 84 |
| Lock Status Sensor Parts | 85 |
| Powerdrive | 86 |
| WOCD Field Applied and Replacement Kits | 90 |
| WOCD Field Applied and Replacement Kits - Disc LA | 94 |
| Miscellaneous Parts | 96 |
| Miscellaneous Parts - Discontinued No Availability (NA) | 102 |
| Fasteners | 103 |
| Vinyl Parts | 104 |
| Wood Parts - Fabricated | 105 |
| Wood Parts Fabricated - Discontinued No Availability (NA) | 110 |

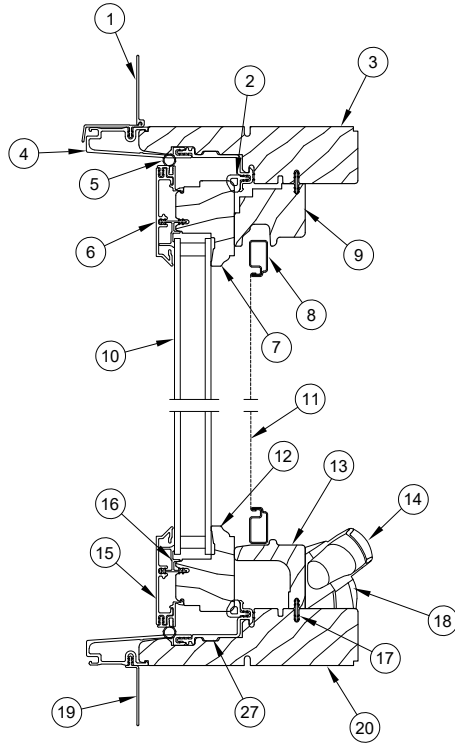
Contents continued on next page

Contents (cont.)

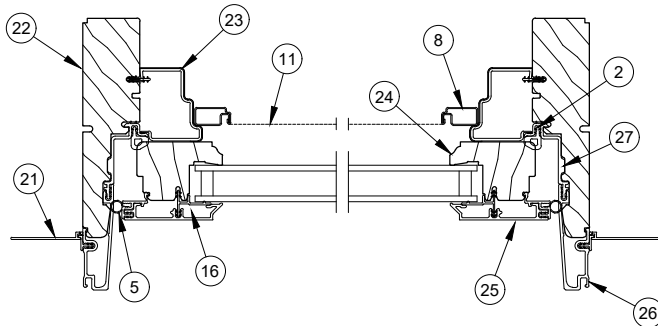
| | |
|---|-----|
| Weather Strip | 111 |
| Weather Strip - Discontinued No Availability (NA) | 114 |
| Screen Replacement | 115 |
| Screen Parts | 116 |
| Screen Parts - Discontinued No Longer Available (NA)..... | 121 |
| Retractable Screen - Part IDs | 122 |
| Retractable Screen Mesh Cartridge - Configured Parts in OMS | 124 |
| Retractable Screen Parts..... | 125 |
| Sash Replacement - Configured Parts in OMS | 130 |
| Tools..... | 131 |

| Produced | Unit Type | Features and Changes |
|----------|---|---|
| 2008 | Ultimate and Ultimate Wood Casement/Awning Narrow Frame | 3/17/2008: Introduced the Ultimate Casement/Awning Narrow Frame. See Product Bulletin 408 for more details. 6/02/2008: Introduced charcoal colored high transparency screen mesh (CH HI-TRAN). This will be standard on Ultimate Casement/Awning Narrow Frame wood screens. It will be an option on aluminum screens. |
| | Ultimate Casement/Awning | 9/02/2008 Introduced the Ultimate Casement and the Ultimate Awning. See Product Bulletin 415 for more details. |
| 2009 | Ultimate Wood Casement/Awning Ultimate Casement/Awning Push Out Ultimate Wood Casement/Awning Push Out Ultimate Casement/Awning Narrow Frame Push Out | 1/26/2009: Introduced the Ultimate Wood Casement and Ultimate Wood Awning, Ultimate Casement Push Out, Ultimate Awning Push Out, Ultimate Wood Casement Push Out, Ultimate Wood Awning Push Out and the Ultimate Casement Narrow Frame Push Out. See Product Bulletin 424. Connecting Barb changed from V1700 to V803. |
| | Ultimate and Ultimate Wood Casement Round Top | 3/23/2009: Added LoE3-366 as a standard option for all products. Added Cedro Macho as a standard option for all Ultimate products. 3/31/2009: Introduced the Ultimate and Ultimate Wood Casement Round Top. See Product Bulletin 433 for more details. |
| | Ultimate and Ultimate Wood Casement IZ3 | 7/27/2009: Introduced IZ3 Ultimate and Ultimate Wood Casement. See Product Bulletin 442 for more details. |
| | Ultimate and Ultimate Wood Casement | 12/04/2009 Introduced the 90 degree Sash-to-Sash Corner unit. Stationary assemblies only. CN3672 maximum size. See Product Bulletin 448 for more details. |
| 2010 | Ultimate Wood Casement/Awning Ultimate Casement/Awning Narrow Frame | 1/18/2010: Introduced the Retractable Screen. See Product Bulletin 450 for more details. |
| | Ultimate and Ultimate Wood Casement Stationary Polygon | 2/22/2010: Introduced the Ultimate and Ultimate Wood Casement Stationary Polygon. Only stationary units available at this time. See Product Bulletin 454 for more details. |
| | Ultimate and Ultimate Wood French Casement Push Out Ultimate French Casement Narrow Frame Push Out | 3/4/2010: The Ultimate and Ultimate Wood French Casement Push Out and the Ultimate French Casement Narrow Frame Push Out is available. See Product Bulletin 459 for more details. |
| | Ultimate and Ultimate Wood Awning IZ3 | 3/29/2010: Introduced the Ultimate and Ultimate Wood Awning IZ3. See Product Bulletin 461 for more details. |
| | Ultimate Casement Venting Picture | 4/26/2010: Introduced the Ultimate Casement Venting Picture. See Product Bulletin 464 for more details. |
| | Ultimate and Ultimate Wood French Casement | 6/28/2010: Introduced the Ultimate and Ultimate Wood French Casement. See Product Bulletin 470 for more details. |
| | Ultimate Casement/Awning Push Out Ultimate Wood Casement/Awning Push Out Ultimate Casement/Awning Narrow Frame Push Out | 6/28/2010: Added the Retractable Screen option to the Push Out. See Product Bulletin 471 for more details. |
| | Ultimate Wood Casement/Awning Narrow Frame Ultimate Wood Casement/Awning Narrow Frame Push Out | 8/30/2010 Introduced the Ultimate Wood Narrow Frame Casement and Awning, and the Ultimate Wood Narrow Frame Push Out Casement and Awning. See Product Bulletin 473 for more details. |
| 2011 | All | 4/25/2011: Added LoE-180 as a standard option for all products. White painted interior finish option introduced for all products. |
| 2012 | Ultimate Casement Narrow Frame Round Top Ultimate Wood Casement Narrow Frame Round Top Ultimate Casement Narrow Frame Operator Polygon Ultimate Wood Casement Narrow Frame Operator Polygon Ultimate Casement Operator Polygon Ultimate Wood Casement Operator Polygon | 12/17/2012: Introduced the Ultimate and Ultimate Wood Casement Narrow Frame Round Top, Ultimate and Ultimate Wood Casement Narrow Frame Operator Polygon, and the Ultimate and Ultimate Wood Operator Polygon. See Product Bulletin 524 for more details. |
| | All | 12/17/2012: Introduced clear interior finish option on all products. See Product Bulletin 523 for more details. |

| Produced | Unit Type | Features and Changes |
|----------|--|--|
| 2013 | All | 4/29/2013: Introduced interior stain options. Stain colors are Wheat, Honey, Leather, Hazelnut, Cabernet and Espresso. |
| | Ultimate Casement/Awning Ultimate Wood Casement/Awning Ultimate Casement/Awning Narrow Frame Ultimate Wood Casement/Awning Narrow Frame | 12/16/2013: Interior Shades option introduced. See Product Bulletin 542 for more details. |
| 2015 | Ultimate Wood Casement/Awning | 6/29/2015: Introduced a new bottom sash weather strip, V2512, for all Wood Ultimate Casement/Awning products (see Customer Service Bulletin 163). 11/30/2015: Enhancements were made to the retractable screen. See Product Bulletin 622 for more details. |
| 2016 | Ultimate Casement Corner | 6/27/2016: Introduced the Clad Ultimate Corner Window. |
| | All | 6/27/2016: Introduced Matte Black as a standard hardware color. 10/31/2016: Obsolescence of the wood species Cedro Macho for all products. |
| 2017 | Ultimate Casement/Awning | 12/18/2017: Introduced the Lock Status Sensor. See Product Bulletin 698 for more details. |
| 2018 | Ultimate Casement | 12/17/2018: V2843 Vinyl Sash Glazing Bead replaces the V1611. |
| 2020 | Ultimate Casement Ultimate Casement Narrow Frame | 4/27/2020: Added WOCD field applied and replacement kits. See Product Bulletin 758 for more details. |
| 2021 | Ultimate Wood Casement Narrow Frame | 08/30/2021: Ultimate Wood Casement Narrow Frame portfolio of products have moved to DISC NA 8/30/21 (No Longer Available) status. All replacement parts are still available. See Product Bulletin 790 for more information. |
| | All Ultimate Casement | 10/25/2021: The standard screen mesh changed from Charcoal Fiberglass Mesh to Marvin Bright View™, previously known as Charcoal Hi-Transparency Mesh. See Product Bulletin 793 for more details. 12/13/2021: The interior glazing profile option of Ovolo for Ultimate Casement and Awning products will be moved to Discontinued - Limited availability status (Disc-LA). The Ovolo interior glazing profile will remain available for replacement sash only. This change is limited to Ultimate Clad products, there is no change to the Ultimate Wood products. See Product Bulletin 803 for more details. |
| 2022 | All Ultimate Casement | 06/27/2022: The Aluminum Screen will be the standard for units with a frame size height of $\leq 54 \frac{1}{2}$ ", with an option of the Extruded Aluminum Screen available. The standard screen for any unit with a frame size height $> 54 \frac{1}{2}$ " will be the Extruded Aluminum Screen. This improvement to screen frames includes all Ultimate and Ultimate Wood windows that accept an aluminum screen, including Round Top and Polygon shapes. See Product Bulletin 832 for more details. |
| | Ultimate Casement Push Out Ultimate Casement Narrow Frame Push Out Ultimate Casement Ultimate Casement Narrow Frame | 08/29/2022: New WOCD introduced as factory applied or field installation. For more information, see Product Bulletin 841. |
| 2023 | All | 04/24/2023: The Retractable Screen was moved to Discontinued - No Availability (DISC-NA). See Product Bulletin 873 for more information. |
| | Ultimate and Ultimate Wood Casement, Awning, Ultimate and Ultimate Wood Casement Polygons, Ultimate and Ultimate Wood Casement, Awning and French Push Out | 10/30/2023: An ERS coating became available as a standard option for current Triple Pane offerings. See Product Bulletin 904 for more details. |
| 2024 | Ultimate Casement, Awning and Polygon Ultimate Casement and Awning Push Out Ultimate Casement, Awning and Polygon Narrow Frame Ultimate Casement and Awning Narrow Frame Push Out | 04/29/2024: Introduced square exterior glazing profile option for Ultimate Casement, Awning and Polygon Full Frame and Narrow Frame products. See Product Bulletin 929 for more information. |

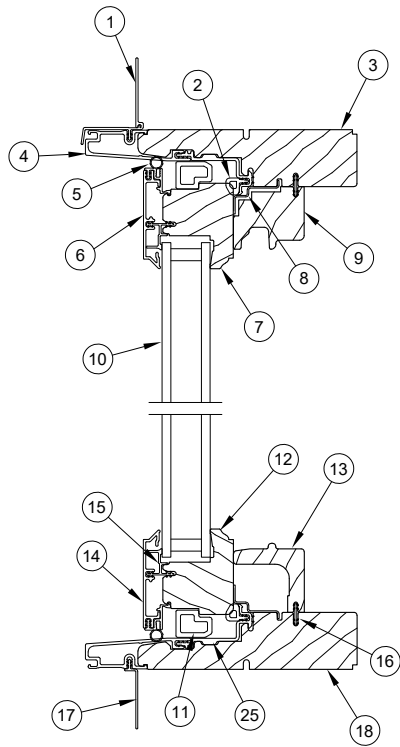


Head Jamb and Sill

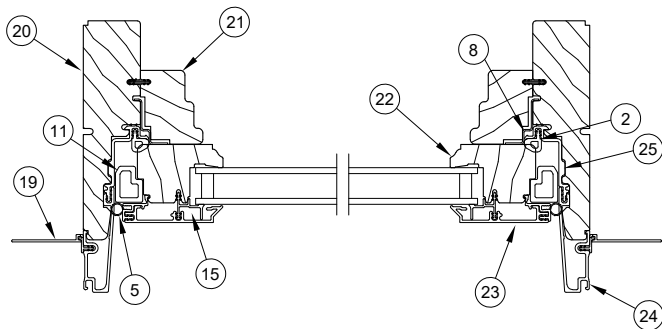


Jamb

1. Head Jamb Nailing Fin and Drip Cap, V119
2. Frame Weather Strip, V1983
3. Head Jamb
4. Head Jamb Cladding
5. Sash Weather Strip, V1797
6. Top Rail Cladding
7. Top Rail
8. Screen Frame
9. Head Jamb Stop, W9787
10. Insulating Glass
11. Screen Mesh
12. Bottom Rail
13. Sill Cover, W9788
14. Folding Crank Handle
15. Bottom Rail Cladding
16. Sash Glazing Bead, V2843
17. Connecting Barb, V803
18. Folding Crank Handle Cover
19. Sill Nailing Fin, V084
20. Sill
21. Jamb Nailing Fin, V104
22. Jamb
23. Jamb Stop, V1666
24. Stile
25. Stile Cladding
26. Jamb Cladding
27. Frame Thermal Break

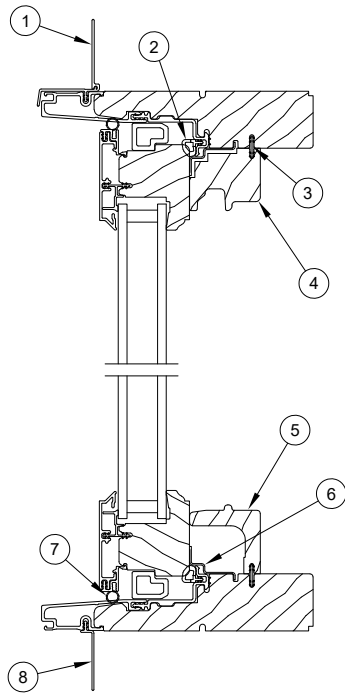


Head Jamb and Sill

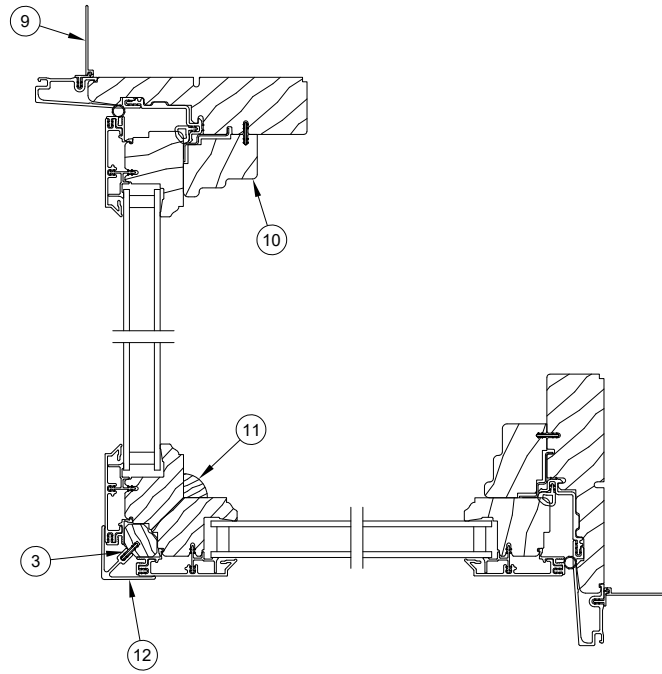


Jamb

1. Head Jamb Nailing Fin and Drip Cap, V119
2. Frame Weather Strip, V1983
3. Head Jamb
4. Head Jamb Cladding
5. Sash Weather Strip, V1797
6. Top Rail Cladding
7. Top Rail
8. Stationary Bracket
9. Head Jamb Stop, W9787
10. Insulating Glass
11. Stationary Sash Block, V1613
12. Bottom Rail
13. Sill Cover, W9788
14. Bottom Rail Cladding
15. Sash Glazing Bead, V2843
16. Connecting Barb, V803
17. Sill Nailing Fin, V084
18. Sill
19. Jamb Nailing Fin, V104
20. Jamb
21. Jamb Stop, W9790
22. Stile
23. Stile Cladding
24. Jamb Cladding
25. Frame Thermal Break

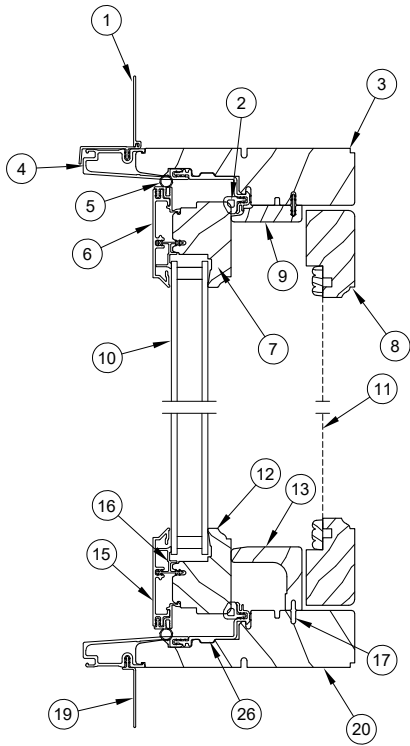


Head Jamb and Sill

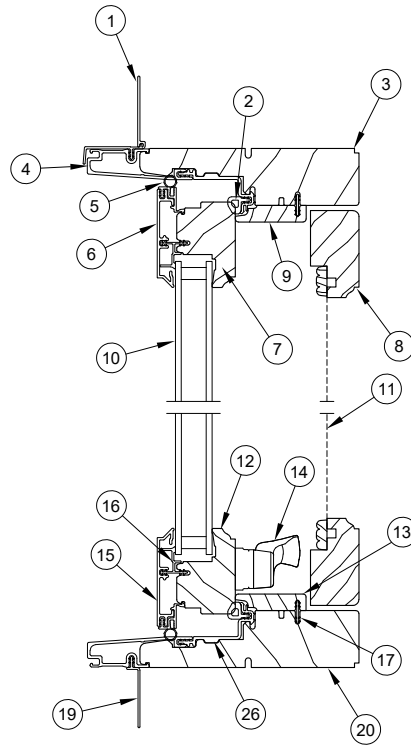


Jamb

1. Head Jamb Nailing Fin/Drip Cap, V119
2. Frame Weather Strip, V1983
3. Connecting Barb, V803
4. Head Jamb Cover, W9787
5. Sill Cover, W9788
6. Sash Bracket
7. Sash Weather Strip, V1797
8. Sill Nailing Fin, V084
9. Jamb Nailing Fin, V104
10. Jamb Cover, W9790
11. Corner Stile Trim, W7003
12. Corner Stile Cladding, A1848

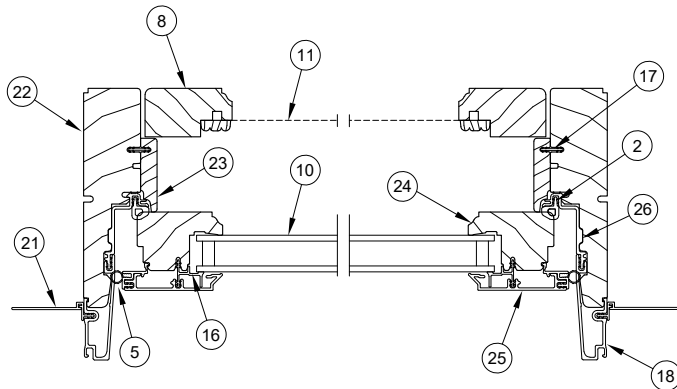


Casement Head Jamb and Sill

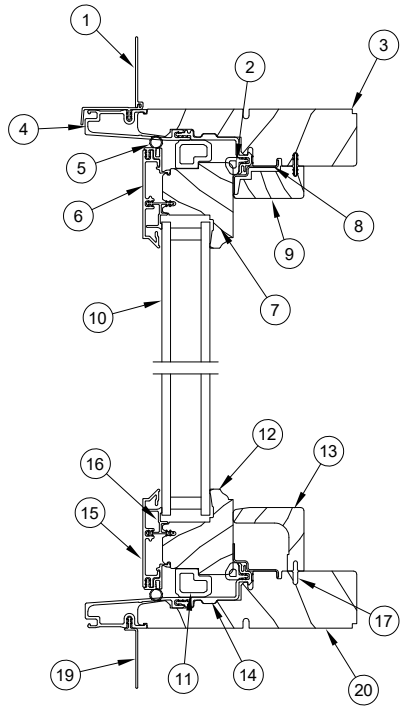


Awning Head Jamb and Sill

1. Head Jamb Nailing Fin and Drip Cap, V119
2. Frame Weather Strip, V1983
3. Head Jamb
4. Head Jamb Cladding
5. Sash Weather Strip, V1797
6. Top Rail Cladding
7. Top Rail
8. Screen Frame
9. Head Jamb Stop, W10231
10. Insulating Glass
11. Screen Mesh
12. Bottom Rail
13. Sill Cover, W10329 (CA), W10231 (AWN)
14. Handle
15. Bottom Rail Cladding
16. Sash Glazing Bead, V2843
17. Connecting Barb, V803
18. Jamb Cladding
19. Sill Nailing Fin, V084
20. Sill
21. Jamb Nailing Fin, V104
22. Jamb
23. Jamb Stop, W10230
24. Stile
25. Stile Cladding
26. Frame Thermal Break

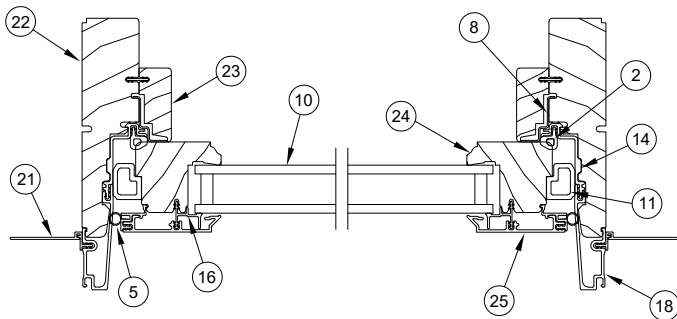


**Jamb
(Awning shown)**

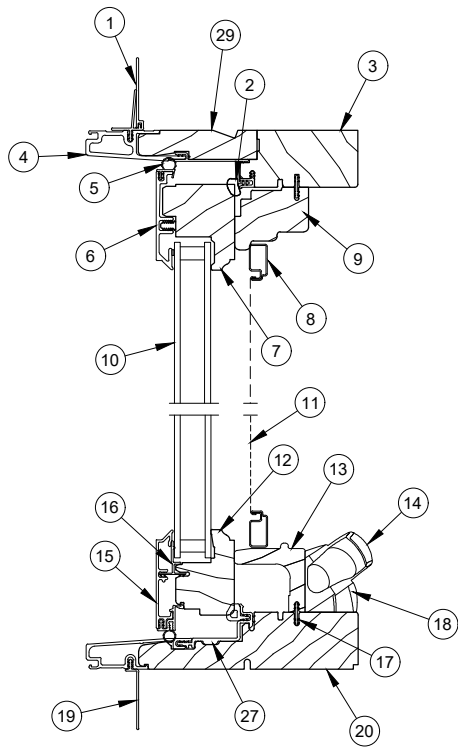


Head Jamb and Sill

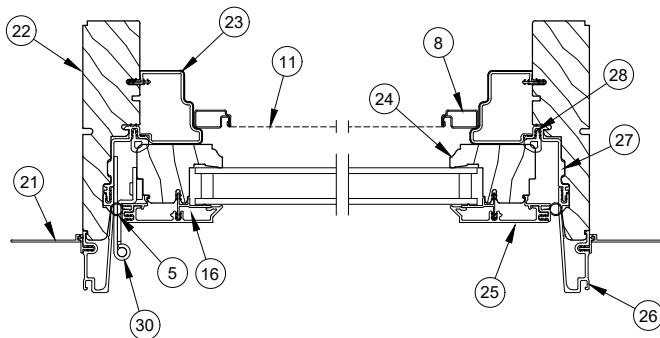
1. Head Jamb Nailing Fin and Drip Cap, V119
2. Frame Weather Strip, V1983
3. Head Jamb
4. Head Jamb Cladding
5. Sash Weather Strip, V1797
6. Top Rail Cladding
7. Top Rail
8. Stationary Bracket
9. Head Jamb Stop, W11312
10. Insulating Glass
11. Stationary Sash Block, V1613
12. Bottom Rail
13. Sill Cover, W10329
14. Frame Thermal Break
15. Bottom Rail Cladding
16. Sash Glazing Bead, V2843
17. Connecting Barb, V803
18. Jamb Cladding
19. Sill Nailing Fin, V084
20. Sill
21. Jamb Nailing Fin, V104
22. Jamb
23. Jamb Stop, W11311
24. Stile
25. Stile Cladding



**Jamb
(Casement shown)**

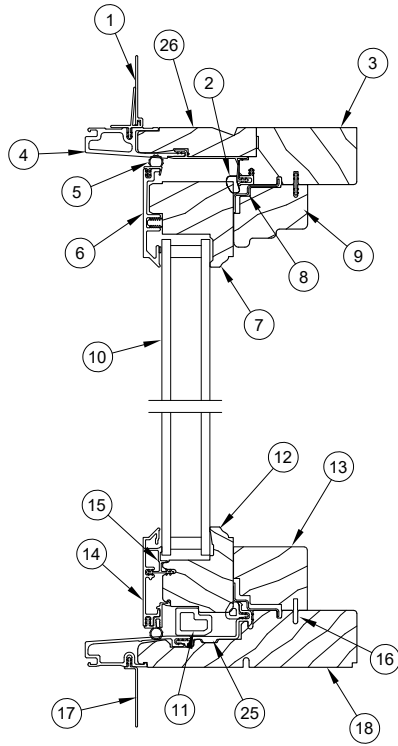


Head Jamb and Sill



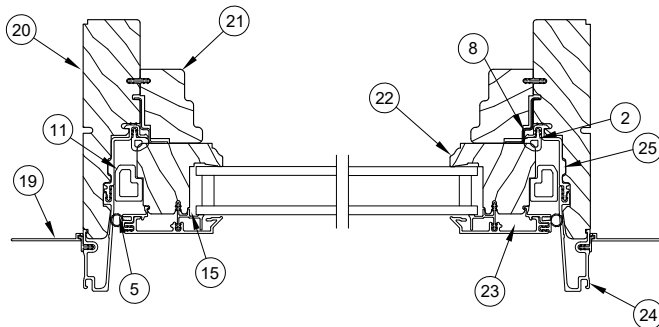
Jamb

1. Head Jamb Nailing Fin and Drip Cap, V110
2. Head Jamb Weather Strip, V1725
3. Head Jamb Interior Component
4. Head Jamb Cladding
5. Sash Weather Strip (Top Rail), V1655
6. Top Rail Cladding
7. Top Rail
8. Screen Frame
9. Head Jamb Stop, W9767
10. Insulating Glass
11. Screen Mesh
12. Bottom Rail
13. Sill Cover, W10430
14. Folding Crank Handle
15. Bottom Rail Cladding
16. Sash Glazing Bead, V2843
17. Connecting Barb, V803
18. Folding Crank Handle Cover
19. Sill Nailing Fin, V084
20. Sill
21. Jamb Nailing Fin, V104
22. Jamb
23. Jamb Stop, V1666
24. Stile
25. Stile Cladding
26. Jamb Cladding
27. Frame Thermal Break
28. Frame Weatherstrip, V1983
29. Head Jamb Exterior Component
30. Butt Hinge

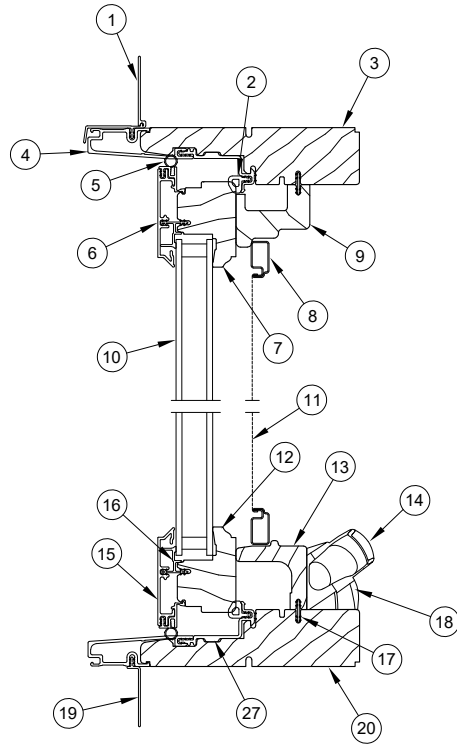


Head Jamb and Sill

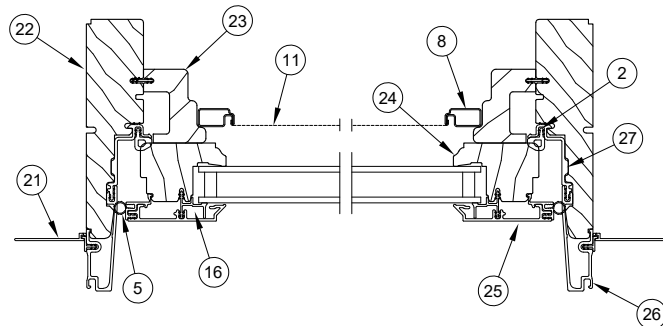
1. Head Jamb Nailing Fin and Drip Cap, V110
2. Head Jamb Weather Strip, V1725
3. Interior Frame Component
4. Head Jamb Cladding
5. Top Rail Weather Strip, V1655
6. Top Rail Cladding
7. Top Rail
8. Stationary Bracket
9. Head Jamb Stop, W9767
10. Insulating Glass
11. Stationary Sash Block, V1613
12. Bottom Rail
13. Sill Cover, W10454
14. Bottom Rail Cladding
15. Sash Glazing Bead, V2843
16. Connecting Barb, V803
17. Sill Nailing Fin, V084
18. Sill
19. Jamb Nailing Fin, V104
20. Jamb
21. Jamb Stop, W9790
22. Stile
23. Stile Cladding
24. Jamb Cladding
25. Frame Thermal Break
26. Exterior Frame Component



Jamb

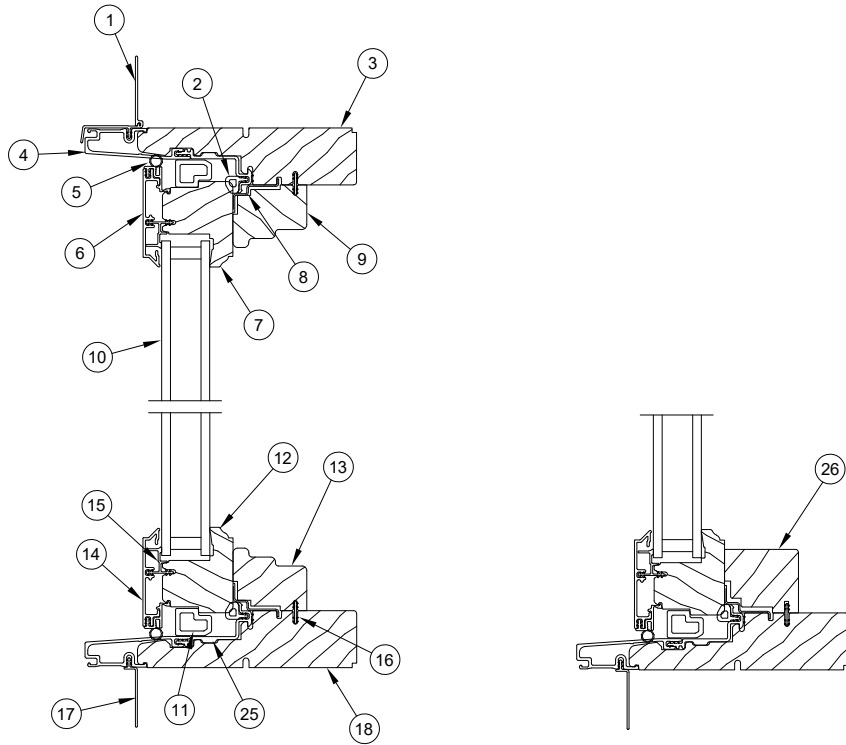


Head Jamb and Sill

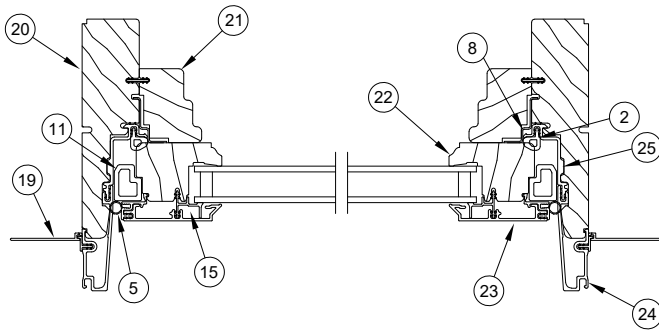


Jamb

1. Head Jamb Nailing Fin and Drip Cap, V119
2. Frame Weather Strip, V1983
3. Head Jamb
4. Head Jamb Cladding
5. Sash Weather Strip (Top Rail), V1797
6. Top Rail Cladding
7. Top Rail
8. Screen Frame
9. Head Jamb Stop, W12988
10. Insulating Glass
11. Screen Mesh
12. Bottom Rail
13. Sill Cover, W10430
14. Folding Crank Handle
15. Bottom Rail Cladding
16. Sash Glazing Bead, V2843
17. Connecting Barb, V803
18. Folding Handle Cover
19. Sill Nailing Fin, V084
20. Sill
21. Jamb Nailing Fin, V104
22. Jamb
23. Jamb Stop, Operator, W12988
24. Stile
25. Stile Cladding
26. Jamb Cladding
27. Frame Thermal Break

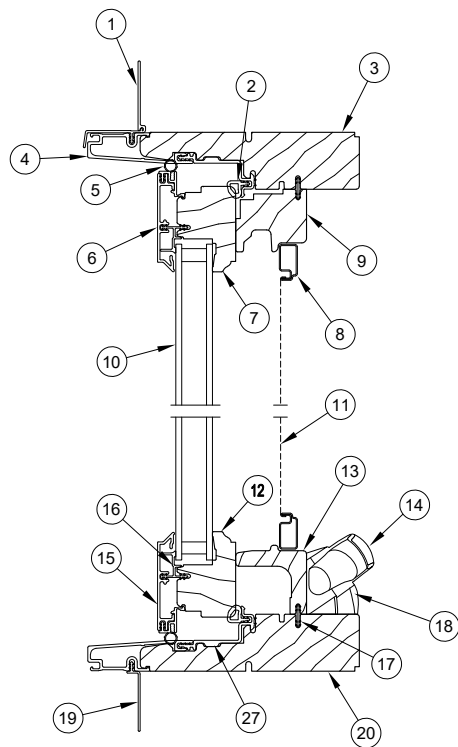


Head Jamb and Sill

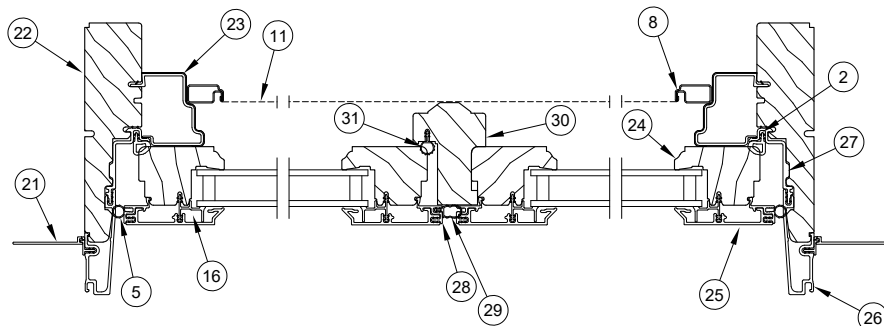


Jamb

1. Head Jamb Nailing Fin and Drip Cap, V119
2. Frame Weather Strip, V1983
3. Head Jamb
4. Head Jamb Cladding
5. Sash Weather Strip (Top Rail), V1797
6. Top Rail Cladding
7. Top Rail
8. Stationary Bracket
9. Head Jamb Stop, W9790
10. Insulating Glass
11. Stationary Sash Block, V1613
12. Bottom Rail
13. Sill Cover, Sloped Sill Option, W9790
14. Bottom Rail Cladding
15. Sash Glazing Bead, V2843
16. Connecting Barb, V803
17. Sill Nailing Fin, V084
18. Sill
19. Jamb Nailing Fin. V104
20. Jamb
21. Jamb Stop, W9790
22. Stile
23. Stile Cladding
24. Jamb Cladding
25. Frame Thermal Break
26. Sill Cover – Flat Sill Option, W10454

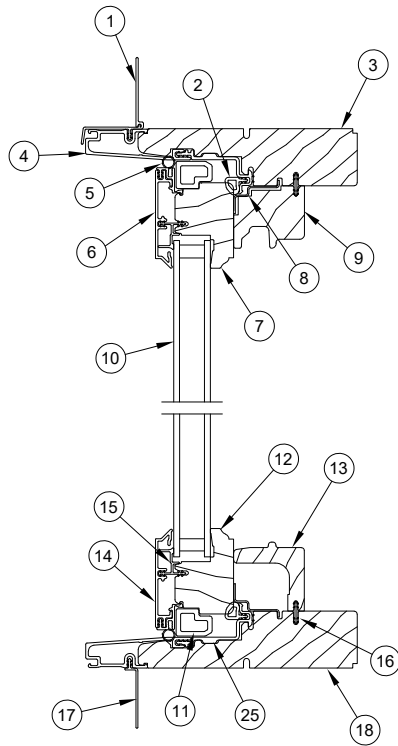


Head Jamb and Sill

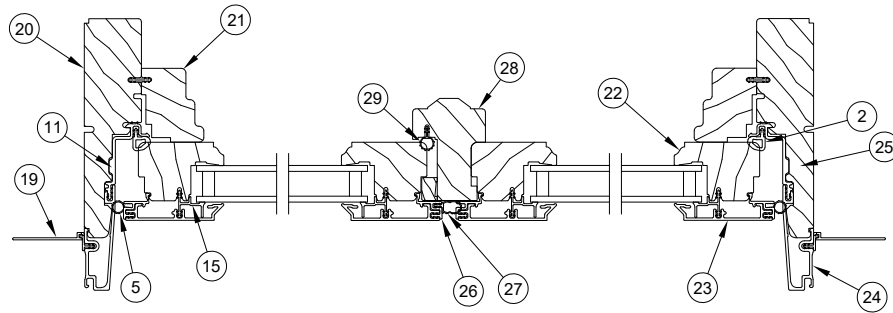


Jamb

1. Head Jamb Nailing Fin and Drip Cap, V119
2. Frame Weather Strip, V1983
3. Head Jamb
4. Head Jamb Cladding
5. Sash Weather Strip, V1797
6. Top Rail Cladding
7. Top Rail
8. Screen Frame
9. Head Jamb Stop, W9787
10. Insulating Glass
11. Screen Mesh
12. Bottom Rail
13. Sill Cover, W9788
14. Handle
15. Bottom Rail Cladding
16. Sash Glazing Bead, V2843
17. Connecting Barb, V803
18. Handle Cover
19. Sill Nailing Fin, V084
20. Sill
21. Jamb Nailing Fin, V104
22. Jamb
23. Jamb Stop, V1666
24. Stile
25. Stile Cladding
26. Jamb Cladding
27. Frame Thermal Break
28. Meeting Stile Weather Strip Carrier, V1932
29. Meeting Stile Weather Strip, V1935
30. Astragal
31. Astragal Weather Strip, V147

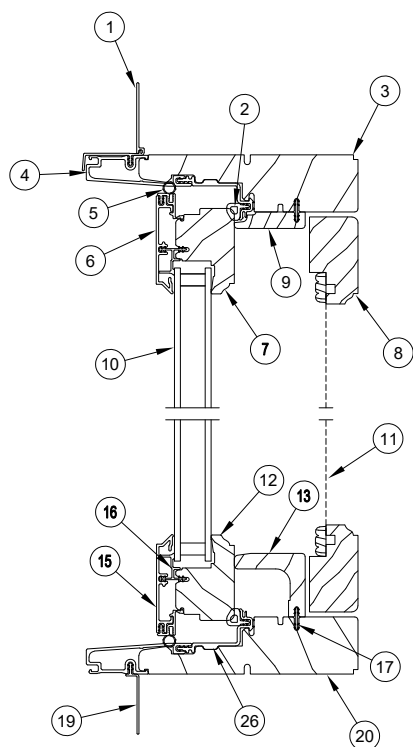


Head Jamb and Sill

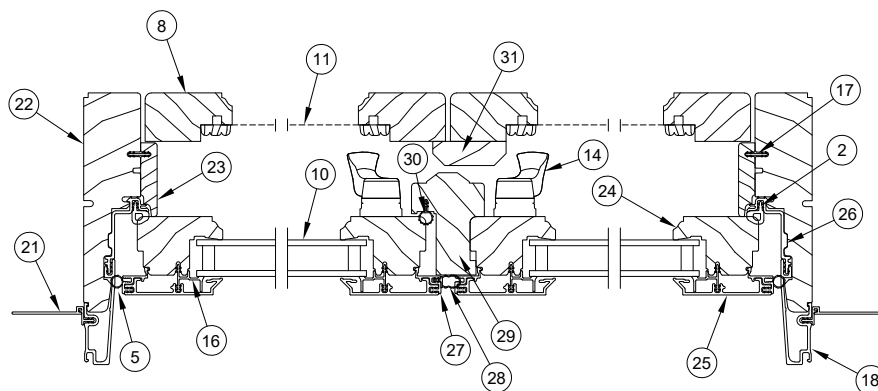


Jamb

1. Head Jamb Nailing Fin and Drip Cap, V119
2. Frame Weather Strip, V1983
3. Head Jamb
4. Head Jamb Cladding
5. Sash Weather Strip, V1797
6. Top Rail Cladding
7. Top Rail
8. Stationary Bracket
9. Head Jamb Stop, W9787
10. Insulating Glass
11. Stationary Sash Block, V1613
12. Bottom Rail
13. Sill Cover, W9788
14. Bottom Rail Cladding
15. Sash Glazing Bead, V2843
16. Connecting Barb, V803
17. Sill Nailing Fin. V084
18. Sill
19. Jamb Nailing Fin, V104
20. Jamb
21. Jamb Stop, W9790
22. Stile
23. Stile Cladding
24. Jamb Cladding
25. Frame Thermal Break
26. Meeting Stile Weather Strip Carrier, V1932
27. Meeting Stile Weather Strip, V1935
28. Astragal
29. Astragal Weather Strip, V147

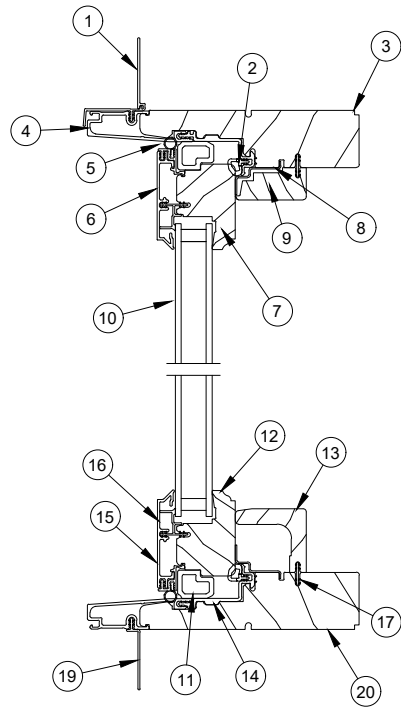


Head Jamb and Sill



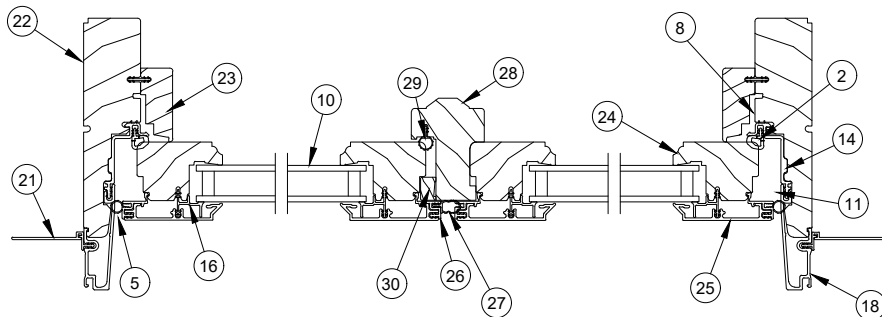
Jamb

1. Head Jamb Nailing Fin and Drip Cap, V119
2. Frame Weather Strip, V1983
3. Head Jamb
4. Head Jamb Cladding
5. Sash Weather Strip, V1797
6. Top Rail Cladding
7. Top Rail
8. Screen Frame
9. Head Jamb Stop, W10231
10. Insulating Glass
11. Screen Mesh
12. Bottom Rail
13. Sill Cover, W10329
14. Handle
15. Bottom Rail Cladding
16. Sash Glazing Bead, V2843
17. Connecting Barb, V803
18. Jamb Cladding
19. Sill Nailing Fin, V084
20. Sill
21. Jamb Nailing Fin, V104
22. Jamb
23. Jamb Stop, W10230
24. Stile
25. Stile Cladding
26. Frame Thermal Break
27. Meeting Stile Weather Strip Carrier, V1932
28. Meeting Stile Weather Strip, V1935
29. Astragal
30. Astragal Weather Strip, V147
31. Screen Astragal

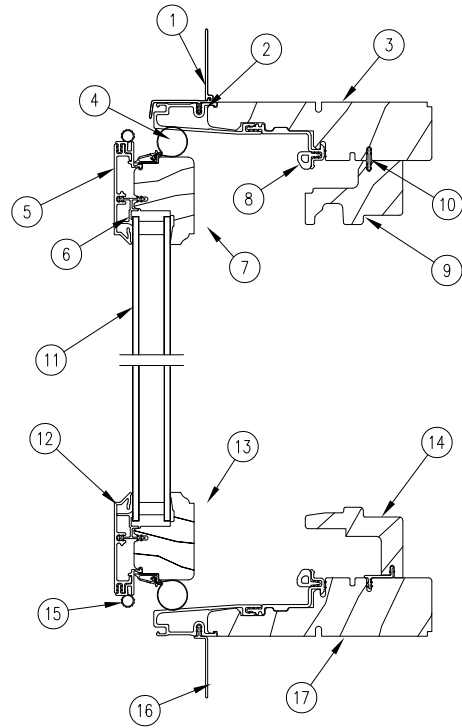


Head Jamb and Sill

1. Head Jamb Nailing Fin and Drip Cap, V119
2. Frame Weather Strip, V1983
3. Head Jamb
4. Head Jamb Cladding
5. Sash Weather Strip, V1797
6. Top Rail Cladding
7. Top Rail
8. Stationary Bracket
9. Head Jamb Stop, W11312
10. Insulating Glass
11. Stationary Sash Block, V1613
12. Bottom Rail
13. Sill Cover, W10329
14. Frame Thermal Break
15. Bottom Rail Cladding
16. Sash Glazing Bead, V2843
17. Connecting Barb, V803
18. Jamb Cladding
19. Sill Nailing Fin, V084
20. Sill
21. Jamb Nailing Fin, V104
22. Jamb
23. Jamb Stop, W11311
24. Stile
25. Stile Cladding
26. Meeting Stile Weather Strip Carrier, V1932
27. Meeting Stile Weather Strip, V1935
28. Astragal
29. Astragal Weather Strip, V147

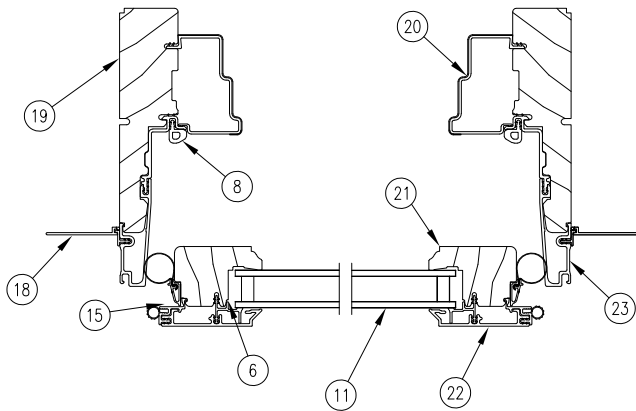


Jamb

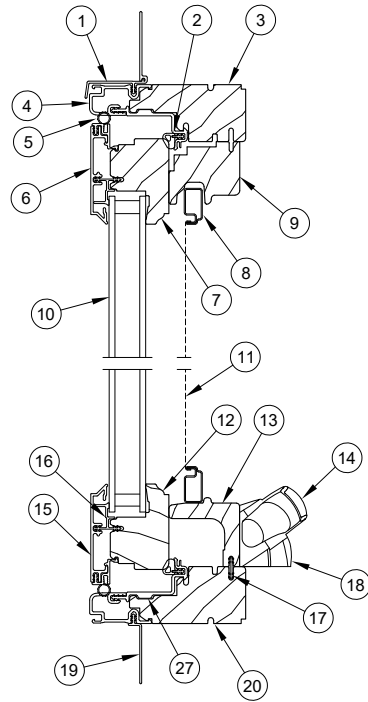


Head Jamb and Sill

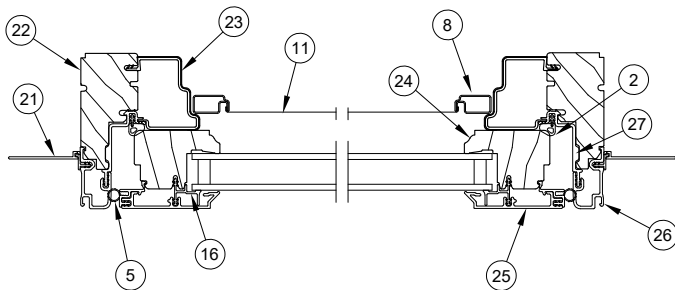
1. Head Jamb Nailing Fin, V119
2. Head Jamb Cladding
3. Head Jamb
4. Screen Bulb Assembly
5. Top Rail Cladding
6. Sash Cladding Connector
7. Top Rail
8. Frame Weather Strip, V1983
9. Head Jamb Stop, W10670
10. Connecting Barb, V803
11. Insulating Glass
12. Bottom Rail Cladding
13. Bottom Rail
14. Sill Stop, W10667
15. Sash Weather Strip, V1797
16. Sill Nailing Fin, V084
17. Sill
18. Jamb Nailing Fin, V104
19. Jamb
20. Side Stop, V1926
21. Stile
22. Stile Cladding
23. Jamb Cladding



Jamb

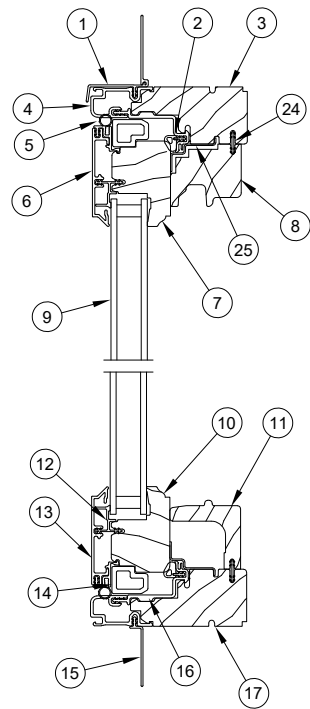


Head Jamb and Sill

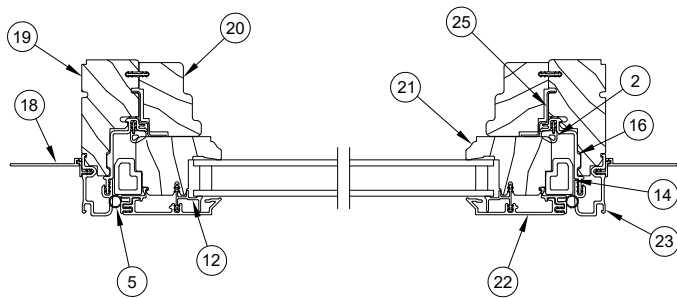


Jamb

1. Head Jamb Nailing Fin and Drip Cap, V119
2. Frame Weather Strip, V1983
3. Head Jamb
4. Head Jamb Cladding
5. Sash Weather Strip, V1797
6. Top Rail Cladding
7. Top Rail
8. Screen Frame
9. Head Jamb Stop, W9787
10. Insulating Glass
11. Screen Mesh
12. Bottom Rail
13. Sill Cover, W9788
14. Folding Crank Handle
15. Bottom Rail Cladding
16. Sash Glazing Bead, V2843
17. Connecting Barb, V803
18. Folding Crank Handle Cover
19. Sill Nailing Fin, V084
20. Sill
21. Jamb Nailing Fin, V104
22. Jamb
23. Jamb Stop, V1666
24. Stile
25. Stile Cladding
26. Jamb Cladding
27. Frame Thermal Break

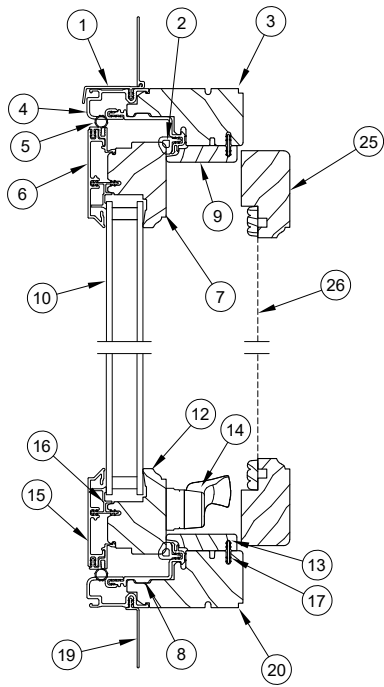


Head Jamb and Sill

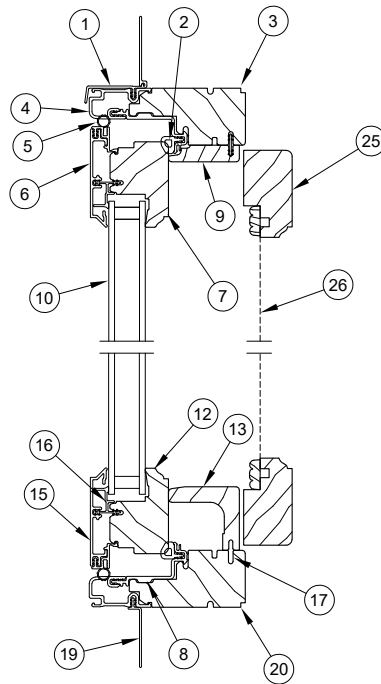


Jamb

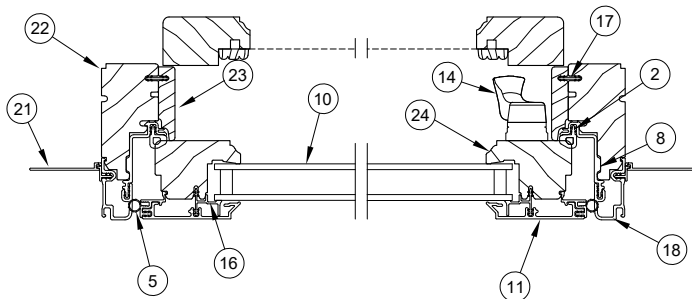
1. Head Jamb Nailing Fin and Drip Cap, V119
2. Frame Weather Strip, V1983
3. Head Jamb
4. Head Jamb Cladding
5. Sash Weather Strip, V1797
6. Top Rail Cladding
7. Top Rail
8. Head Jamb Stop, W9787
9. Insulating Glass
10. Bottom Rail
11. Sill Cover, W9788
12. Sash Glazing Bead, V2843
13. Bottom Rail Cladding
14. Stationary Sash Block, V1613
15. Sill Nailing Fin, V084
16. Frame Thermal Break
17. Sill
18. Jamb Nailing Fin, V104
19. Jamb
20. Jamb Stop, W9790
21. Stile
22. Stile Cladding
23. Jamb Cladding
24. Connecting Barb, V803
25. Stationary Sash Bracket



Awning Head Jamb and Sill

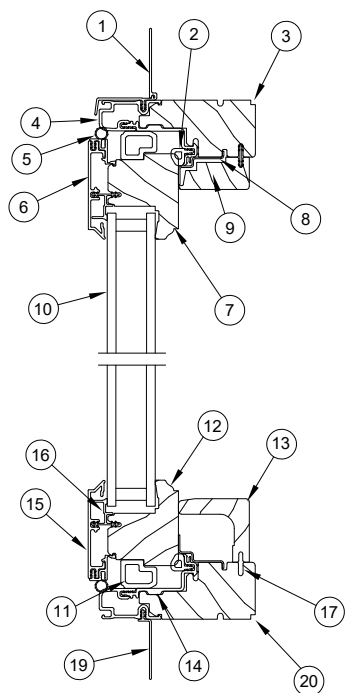


Casement Head Jamb and Sill



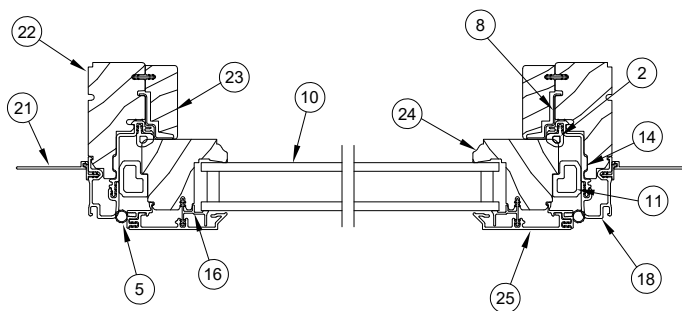
Jamb (Casement shown)

1. Head Jamb Nailing Fin and Drip Cap, V119
2. Frame Weather Strip, V1983
3. Head Jamb
4. Head Jamb Cladding
5. Sash Weather Strip, V1797
6. Top Rail Cladding
7. Top Rail
8. Frame Thermal Break
9. Head Jamb Stop, W10231
10. Insulating Glass
11. Stile Cladding
12. Bottom Rail
13. Sill Cover, W10329 (CA), W10231 (AWN)
14. Handle
15. Bottom Rail Cladding
16. Sash Glazing Bead, V2843
17. Connecting Barb, V803
18. Jamb Cladding
19. Sill Nailing Fin, V084
20. Sill
21. Jamb Nailing Fin, V104
22. Jamb
23. Jamb Stop, W10230
24. Stile
25. Wood Screen
26. Screen Mesh

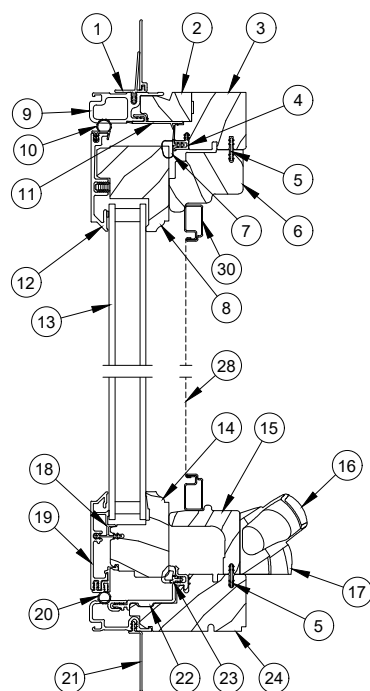


Head Jamb and Sill

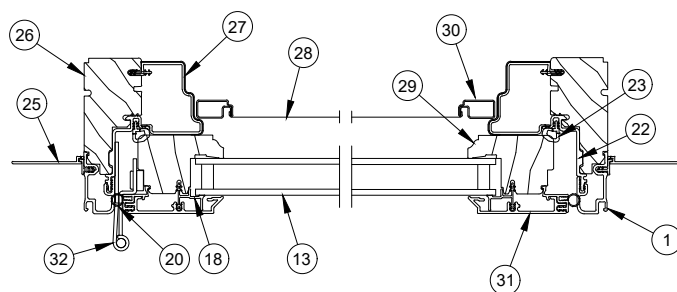
1. Head Jamb Nailing Fin and Drip Cap, V119
2. Frame Weather Strip, V1983
3. Head Jamb
4. Head Jamb Cladding
5. Sash Weather Strip, V1797
6. Top Rail Cladding
7. Top Rail
8. Stationary Bracket
9. Head Jamb Stop, W11312
10. Insulating Glass
11. Stationary Sash Block, V1613
12. Bottom Rail
13. Sill Cover, W10329
14. Frame Thermal Break
15. Bottom Rail Cladding
16. Sash Glazing Bead, V2843
17. Connecting Barb, V803
18. Jamb Cladding
19. Sill Nailing Fin, V084
20. Sill
21. Jamb Nailing Fin, V104
22. Jamb
23. Jamb Stop, W11311
24. Stile
25. Stile Cladding



Jamb (Casement shown)

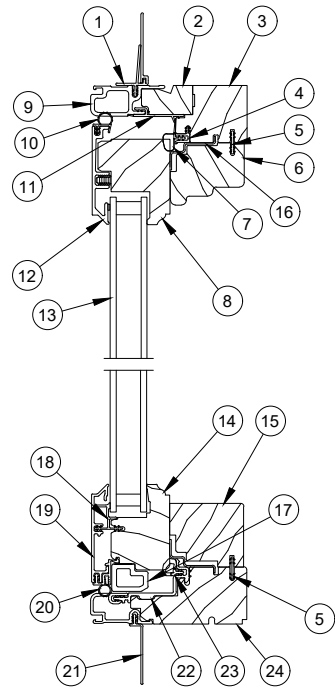


Head Jamb and Sill



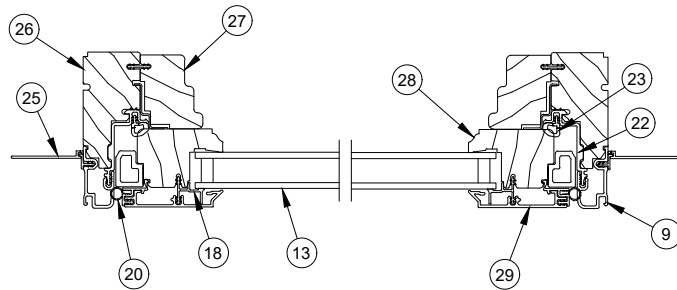
Jamb

1. Head Jamb Nailing Fin and Drip Cap, V110
2. Head Jamb Exterior Component
3. Head Jamb Interior Component
4. Head Jamb Vinyl Kerf
5. Connecting Barb, V803
6. Head Jamb Stop, W9767
7. Head Jamb Weather Strip, V1725
8. Top Rail
9. Frame Cladding
10. Sash Weather Strip (Top Rail), V1655
11. Head Jamb Thermal Break
12. Top Rail Cladding
13. Insulating Glass
14. Bottom Rail
15. Sill Cover, W10430
16. Folding Crank Handle
17. Folding Crank Handle Cover
18. Sash Glazing Bead, V2843
19. Bottom Rail Cladding
20. Sash Weather Strip, V1797
21. Sill Nailing Fin, V084
22. Frame Thermal Break
23. Frame Weather Strip, V1983
24. Sill
25. Jamb Nailing Fin, V104
26. Frame
27. Jamb Side Stop, V1666
28. Screen Mesh
29. Stile
30. Screen Frame
31. Stile Cladding
32. Butt Hinge

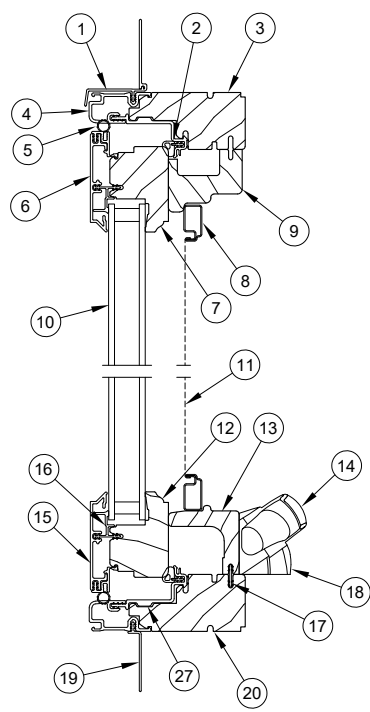


Head Jamb and Sill

1. Head Jamb Nailing Fin and Drip Cap, V110
2. Head Jamb Exterior Component
3. Head Jamb Interior Component
4. Head Jamb Vinyl Kerf
5. Connecting Barb, V803
6. Head Jamb Stop, W9767
7. Head Jamb Weather Strip, V1725
8. Top Rail
9. Frame Cladding
10. Sash Weather Strip (Top Rail), V1655
11. Head Jamb Thermal Break
12. Top Rail Cladding
13. Insulating Glass
14. Bottom Rail
15. Sill Cover, W10454
16. Stationary Bracket
17. Stationary Sash Block, V1613
18. Sash Glazing Bead, V2843
19. Bottom Rail Cladding
20. Sash Weather Strip, V1797
21. Sill Nailing Fin, V084
22. Frame Thermal Break
23. Frame Weather Strip, V1983
24. Sill
25. Jamb Nailing Fin, V104
26. Frame
27. Jamb Side Stop, W9790
28. Stile
29. Stile Cladding

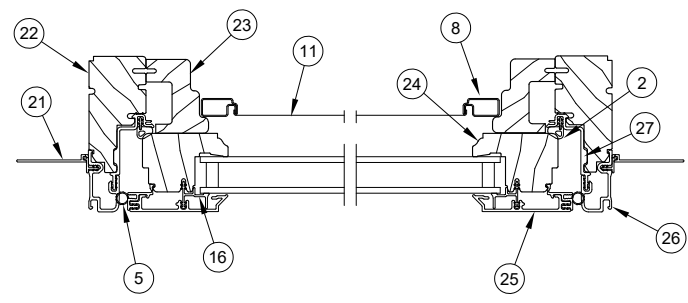


Jamb

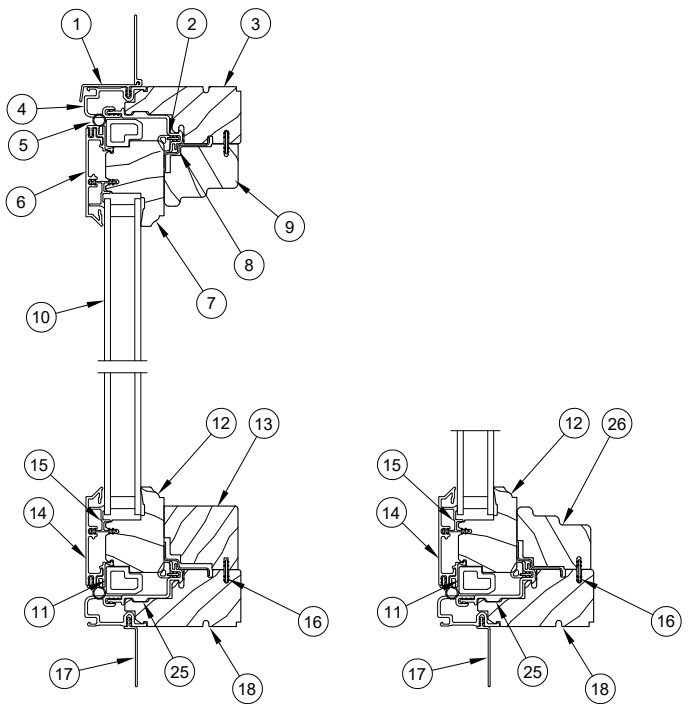


Head Jamb and Sill

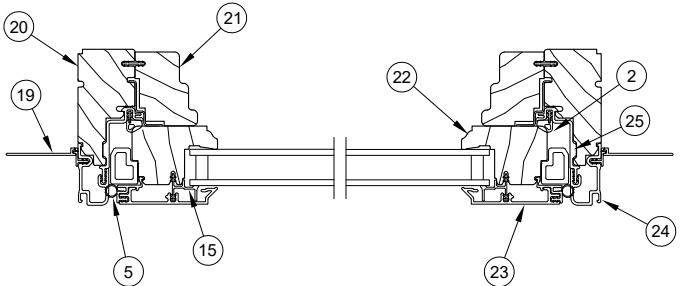
1. Head Jamb Nailing Fin and Drip Cap, V119
2. Frame Weather Strip, V1983
3. Head Jamb
4. Head Jamb Cladding
5. Sash Weather Strip (Top Rail), V1797
6. Top Rail Cladding
7. Top Rail
8. Screen Frame
9. Head Jamb Stop, W12988
10. Insulating Glass
11. Screen Mesh
12. Bottom Rail
13. Sill Cover, W10430
14. Folding Crank Handle
15. Bottom Rail Cladding
16. Sash Glazing Bead, V2843
17. Connecting Barb, V803
18. Folding Crank Handle Cover
19. Sill Nailing Fin, V084
20. Sill
21. Jamb Nailing Fin, V104
22. Jamb
23. Jamb Stop, W12988
24. Stile
25. Stile Cladding
26. Jamb Cladding
27. Frame Thermal Break



Jamb

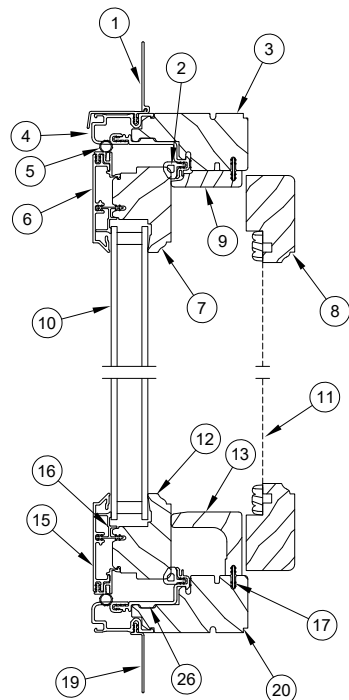


Head Jamb and Sill

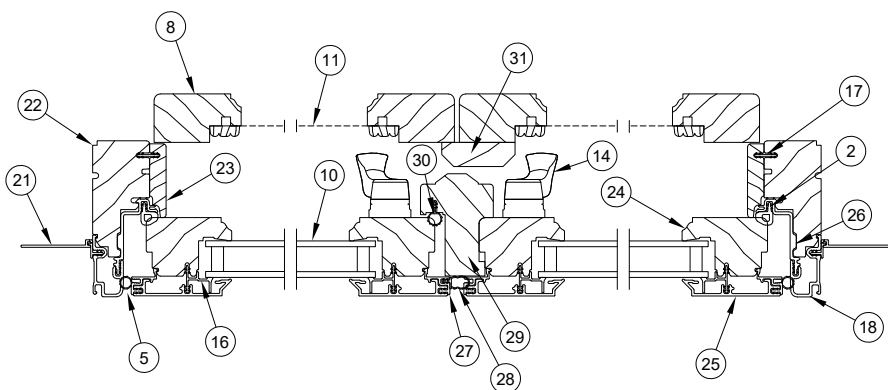


Jamb

1. Head Jamb Nailing Fin and Drip Cap, V119
2. Frame Weather Strip, V1983
3. Head Jamb
4. Head Jamb Cladding
5. Sash Weather Strip (Top Rail), V1797
6. Top Rail Cladding
7. Top Rail
8. Stationary Bracket
9. Head Jamb Stop, W9790
10. Insulating Glass
11. Stationary Sash Block, V1613
12. Bottom Rail
13. Sill Cover, Flat Sill Option, W10454
14. Bottom Rail Cladding
15. Sash Glazing Bead, V2843
16. Connecting Barb, V803
17. Sill Nailing Fin, V084
18. Sill
19. Jamb Nailing Fin, V104
20. Jamb
21. Jamb Stop, W9790
22. Stile
23. Stile Cladding
24. Jamb Cladding
25. Frame Thermal Break
26. Sill Cover, Sloped Sill Option, W9790

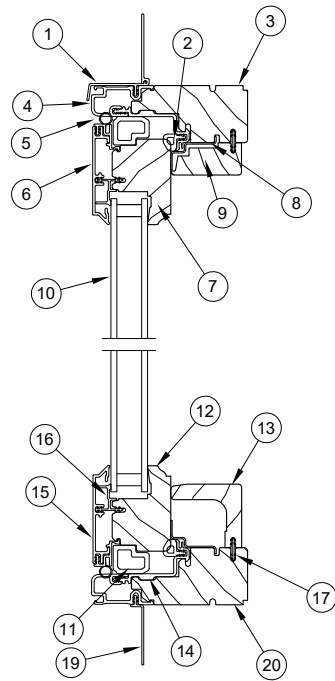


Head Jamb and Sill



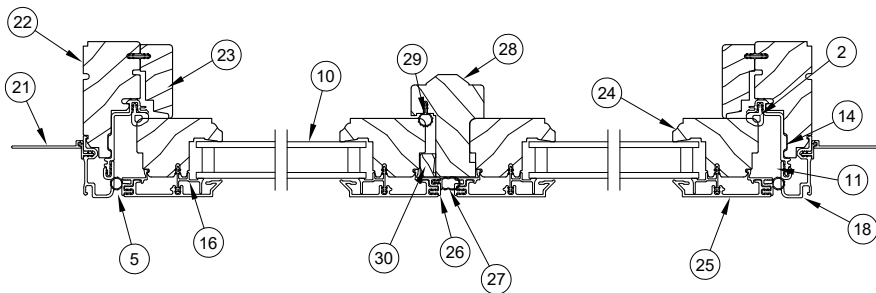
Jamb

1. Head Jamb Nailing Fin and Drip Cap, V119
2. Frame Weather Strip, V1983
3. Head Jamb
4. Head Jamb Cladding
5. Sash Weather Strip, V1797
6. Top Rail Cladding
7. Top Rail
8. Screen Frame
9. Head Jamb Stop, W10231
10. Insulating Glass
11. Screen Mesh
12. Bottom Rail
13. Sill Cover, W10329
14. Handle
15. Bottom Rail Cladding
16. Sash Glazing Bead, V2843
17. Connecting Barb, V803
18. Jamb Cladding
19. Sill Nailing Fin, V084
20. Sill
21. Jamb Nailing Fin, V104
22. Jamb
23. Jamb Stop, W10230
24. Stile
25. Stile Cladding
26. Frame Thermal Break
27. Meeting Stile Weather Strip Carrier, V1932
28. Meeting Stile Weather Strip, V1935
29. Astragal
30. Astragal Weather Strip, V147
31. Screen Astragal

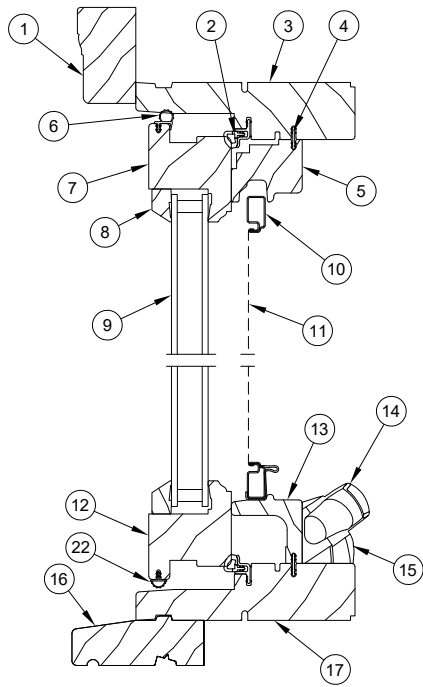


Head Jamb and Sill

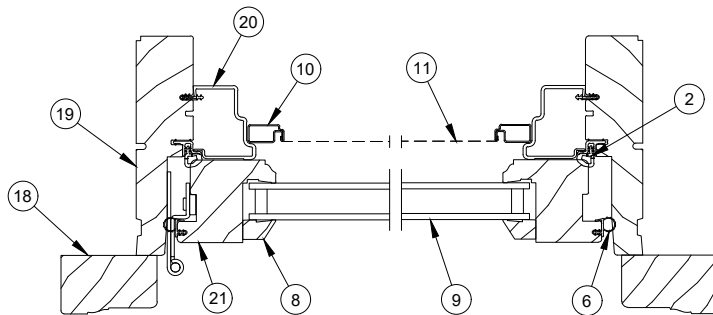
1. Head Jamb Nailing Fin and Drip Cap, V119
2. Frame Weather Strip, V1983
3. Head Jamb
4. Head Jamb Cladding
5. Sash Weather Strip, V1797
6. Top Rail Cladding
7. Top Rail
8. Stationary Bracket
9. Head Jamb Stop, W11312
10. Insulating Glass
11. Stationary Sash Block, V1613
12. Bottom Rail
13. Sill Cover, W10329
14. Frame Thermal Break
15. Bottom Rail Cladding
16. Sash Glazing Bead, V2843
17. Connecting Barb, V803
18. Jamb Cladding
19. Sill Nailing Fin, V084
20. Sill
21. Jamb Nailing Fin, V104
22. Jamb
23. Jamb Stop, W11311
24. Stile
25. Stile Cladding
26. Meeting Stile Weather Strip Carrier, V1932
27. Meeting Stile Weather Strip, V1935
28. Astragal
29. Astragal Weather Strip, V147



Jamb

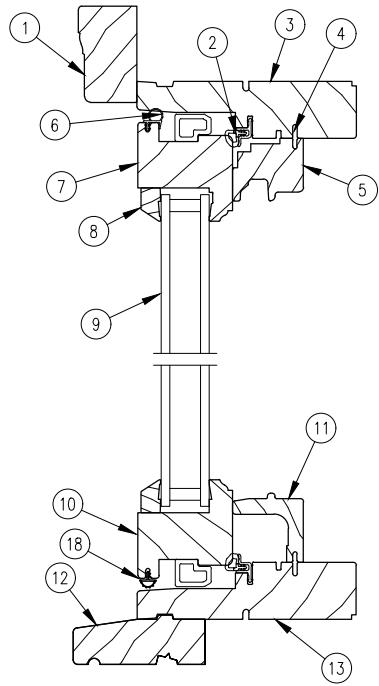


Head Jamb and Sill



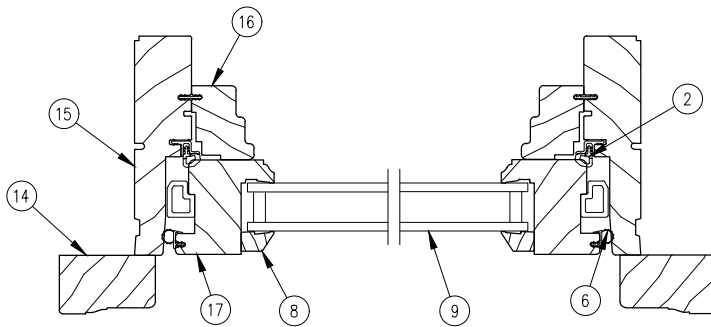
Jamb

1. Head Jamb Brick Mould Casing, W1047
2. Frame Weather Strip, V1983
3. Head Jamb
4. Connecting Barb, V803
5. Head Jamb Stop, W9787
6. Sash Weather Strip, V1655
7. Top Rail
8. Glazing Bead, W10384
9. Insulating Glass
10. Screen Frame
11. Screen Mesh
12. Bottom Rail
13. Hardware Cover, W9788
14. Folding Crank Handle
15. Folding Crank Cover
16. Subsill, W10333
17. Sill
18. Jamb Brick Mould Casing, W1047
19. Jamb
20. Jamb Stop, V1666
21. Stile
22. Sash Weather Strip, V2512

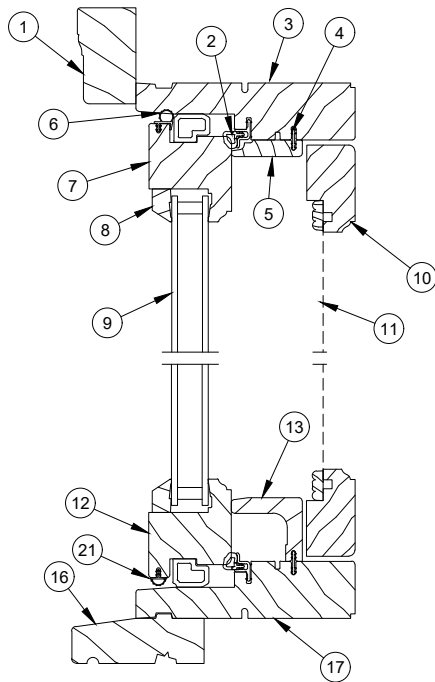


Head Jamb and Sill

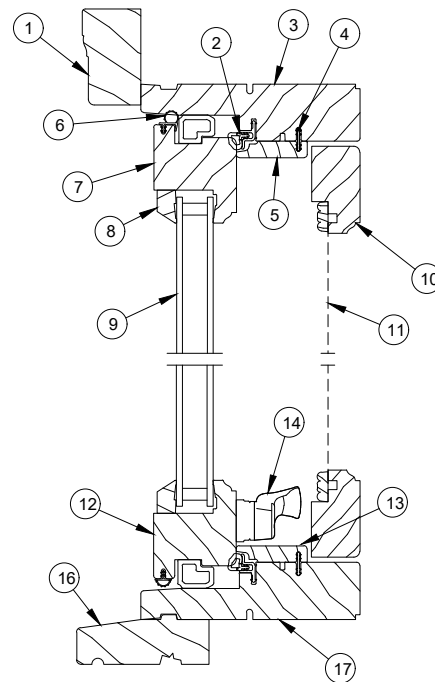
1. Head Jamb Brick Mould Casing, W1047
2. Frame Weather Strip, V1983
3. Head Jamb
4. Connecting Barb, V803
5. Head Jamb Stop, W9787
6. Sash Weather Strip, V1655
7. Top Rail
8. Glazing Bead, W10384
9. Insulating Glass
10. Bottom Rail
11. Hardware Cover, W9788
12. Subsill, W10333
13. Sill
14. Jamb Brick Mould Casing, W1047
15. Jamb
16. Jamb Stop, W9790
17. Stile
18. Sash Weather Strip, V2512



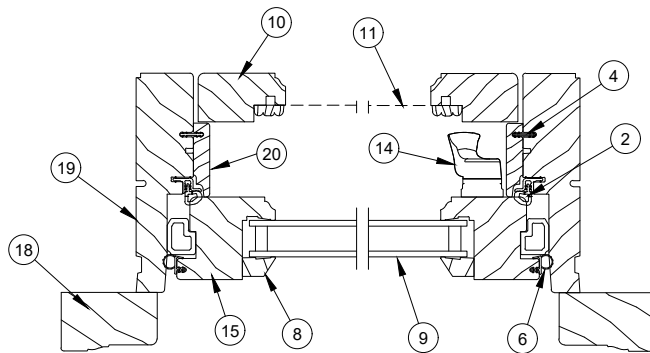
Jamb



Head Jamb and Sill (Casement)

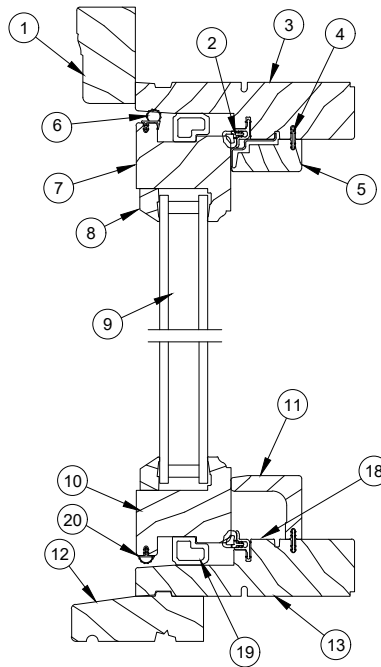


Head Jamb and Sill (Awning)



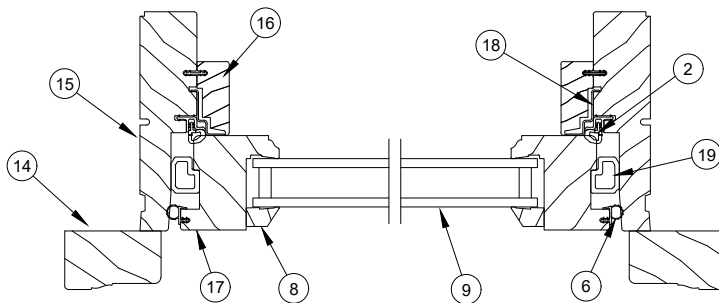
Jamb (Casement shown)

1. Head Jamb Brick Mould Casing, W1047
2. Frame Weather Strip, V1983
3. Head Jamb
4. Connecting Barb, V803
5. Head Jamb Stop, W10231
6. Sash Weather Strip, V1655
7. Top Rail
8. Glazing Bead, W10384
9. Insulating Glass
10. Screen Frame
11. Screen Mesh
12. Bottom Rail
13. Sill Cover, W10329 (CA), W10231 (AWN)
14. Handle
15. Stile
16. Subsill, W10333
17. Sill
18. Jamb Brick Mould Casing, W1047
19. Jamb
20. Jamb Stop, W10230
21. Sash Weather Strip, V2512

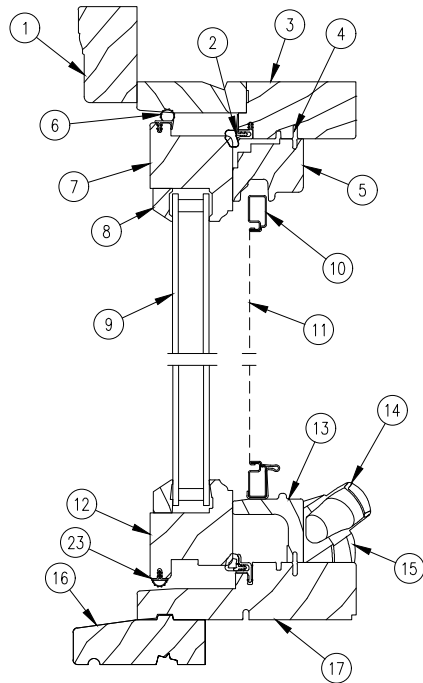


Head Jamb and Sill (Casement)

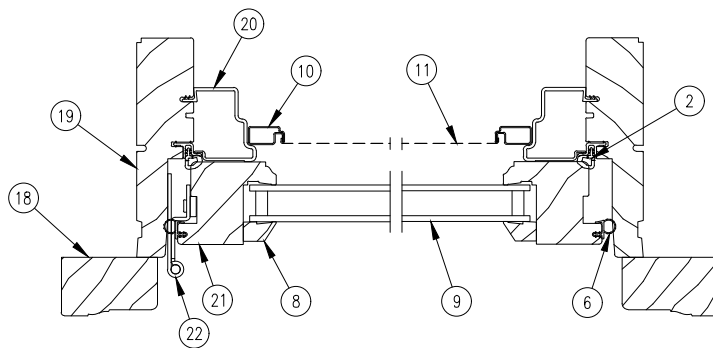
1. Head Jamb Brick Mould Casing, W1047
2. Frame Weather Strip, V1983
3. Head Jamb
4. Connecting Barb, V803
5. Head Jamb Stop, W11312
6. Sash Weather Strip, V1655
7. Top Rail
8. Glazing Bead, W10384
9. Insulating Glass
10. Bottom Rail
11. Sill Cover, W10329
12. Subsill, W10333
13. Sill
14. Jamb Brick Mould Casing, W1047
15. Jamb
16. Jamb Stop, W11311
17. Stile
18. Stationary Bracket
19. Stationary Sash Block, V1613
20. Sash Weather Strip, V2512



Jamb

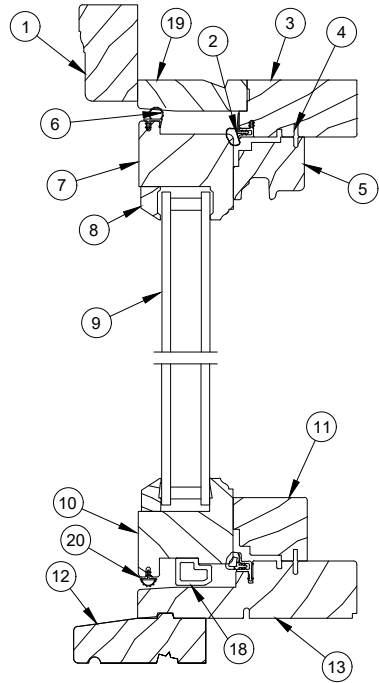


Head Jamb and Sill



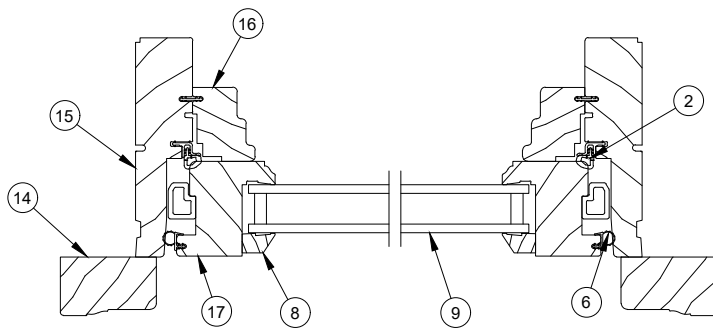
Jamb

1. Head Jamb Brick Mould Casing, W1047
2. Head Jamb Weather Strip, V1725
3. Head Jamb
4. Connecting Barb, V803
5. Head Jamb Stop, W9767
6. Sash Weather Strip, V1655
7. Top Rail
8. Glazing Bead, W10384
9. Insulating Glass
10. Screen Frame
11. Screen Mesh
12. Bottom Rail
13. Sill Cover, W10430
14. Folding Crank Handle
15. Handle Cover
16. Subsill, W10333
17. Sill
18. Jamb Brick Mould Casing, W1047
19. Jamb
20. Jamb Stop, V1666
21. Stile
22. Butt Hinge
23. Sash Weather Strip, V2512

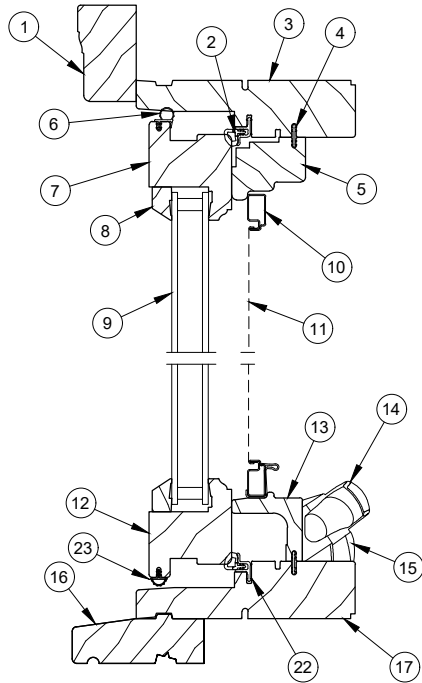


Head Jamb and Sill

1. Head Jamb Brick Mould Casing, W1047
2. Head Jamb Weather Strip, V1725
3. Head Jamb
4. Connecting Barb, V803
5. Head Jamb Stop, W9767
6. Sash Weather Strip, V1655
7. Top Rail
8. Glazing Bead, W10384
9. Insulating Glass
10. Bottom Rail
11. Sill Cover, W10454
12. Subsill, W10333
13. Sill
14. Jamb Brick Mould Casing, W1047
15. Jamb
16. Jamb Stop, W9790
17. Stile
18. Stationary Sash Block, V1613
19. Head Jamb Exterior Component
20. Sash Weather Strip, V2512

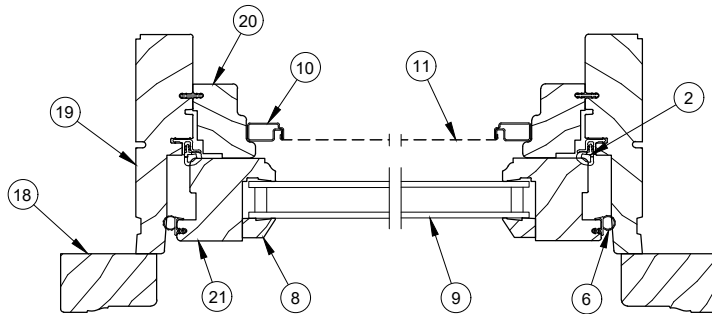


Jamb

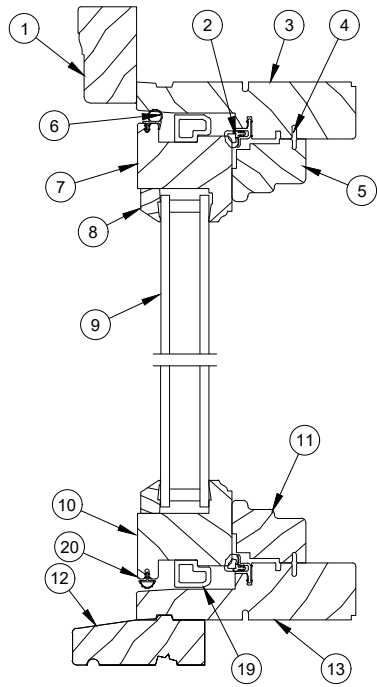


Head Jamb and Sill

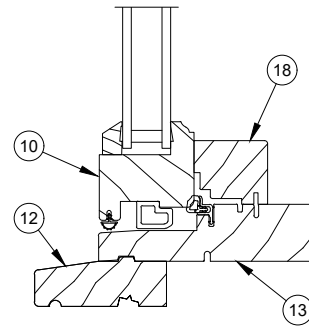
1. Head Jamb Brick Mould Casing, W1047
2. Frame Weather Strip, V1983
3. Head Jamb
4. Connecting Barb, V803
5. Head Jamb Stop, W9790
6. Sash Weather Strip, V1655
7. Top Rail
8. Glazing Bead, W10384
9. Insulating Glass
10. Screen Frame
11. Screen Mesh
12. Bottom Rail
13. Sill Cover, W10430
14. Folding Handle
15. Folding Handle Cover
16. Subsill, W10333
17. Sill
18. Jamb Brick Mould Casing, W1047
19. Jamb
20. Jamb Stop, W9790
21. Stile
22. Frame Weather Strip, V1983
23. Sash Weather Strip, V2512



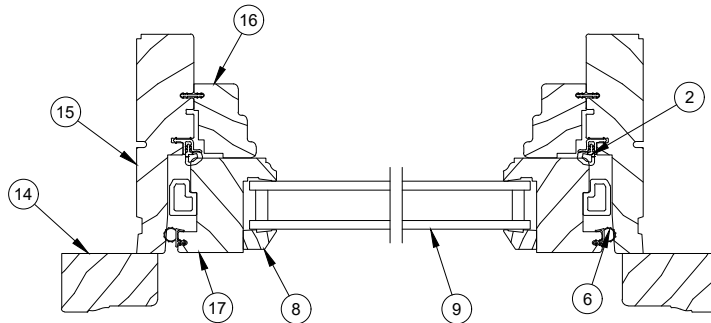
Jamb



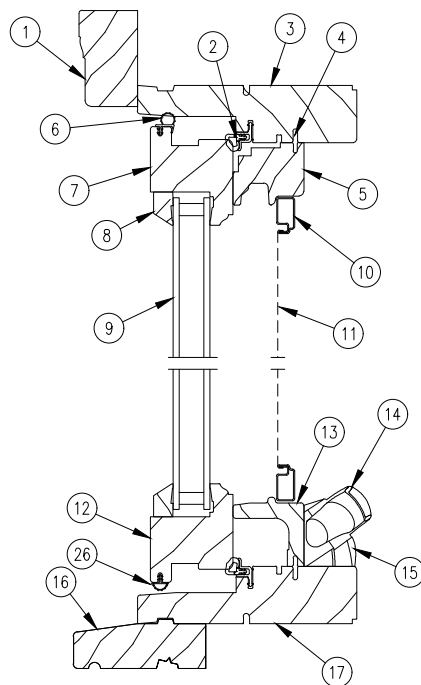
Head Jamb and Sill



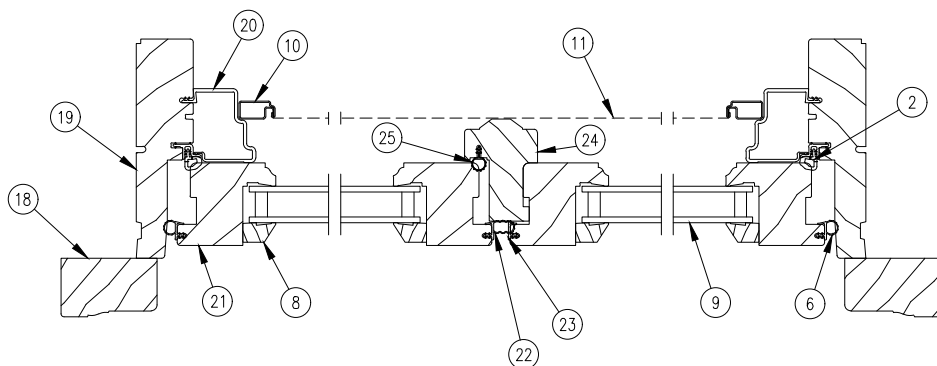
1. Head Jamb Brick Mould Casing, W1047
2. Frame Weather Strip, V1983
3. Head Jamb
4. Connecting Barb, V803
5. Head Jamb Stop, W9790
6. Sash Weather Strip, V1655
7. Top Rail
8. Glazing Bead, W10384
9. Insulating Glass
10. Bottom Rail
11. Sill Cover – Sloped Option, W9790
12. Subsill, W10333
13. Sill
14. Jamb Brick Mould Casing, W1047
15. Jamb
16. Jamb Stop, W9790
17. Stile
18. Sill Cover – Flat Option, W10454
19. Stationary Sash Block, V1613
20. Sash Weather Strip, V2512



Jamb

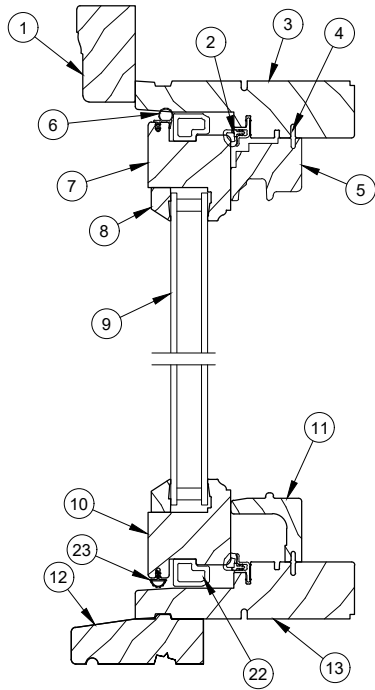


Head Jamb and Sill

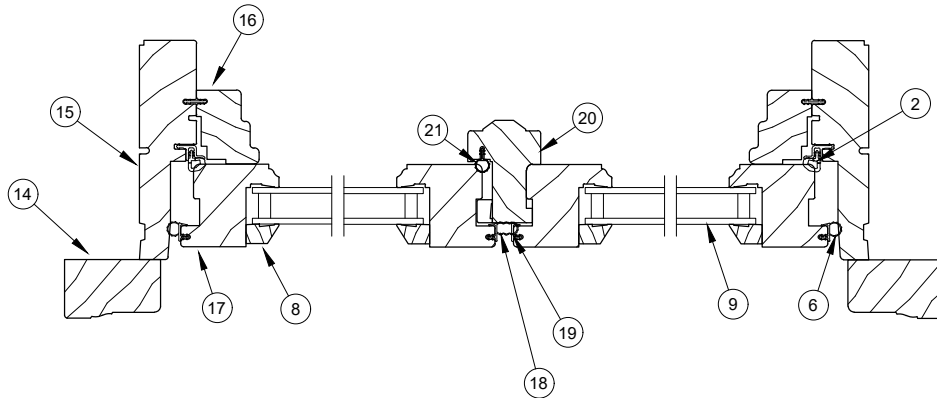


Jamb

1. Head Jamb Brick Mould Casing, W1047
2. Frame Weather Strip, V1983
3. Head Jamb
4. Connecting Barb, V803
5. Head Jamb Stop, W9787
6. Sash Weather Strip, V1655
7. Top Rail
8. Glazing Bead, W10384
9. Insulating Glass
10. Screen Frame
11. Screen Mesh
12. Bottom Rail
13. Sill Cover, W9788
14. Handle
15. Handle Cover
16. Subsill, W10333
17. Sill
18. Jamb Brick Mould Casing, W1047
19. Jamb
20. Jamb Stop, V1666
21. Stile
22. Meeting Stile Weather Strip, V1937
23. Meeting Stile Weather Strip Carrier, V1936
24. Astragal
25. Astragal Weather Strip, V147
26. Sash Weather Strip, V2512

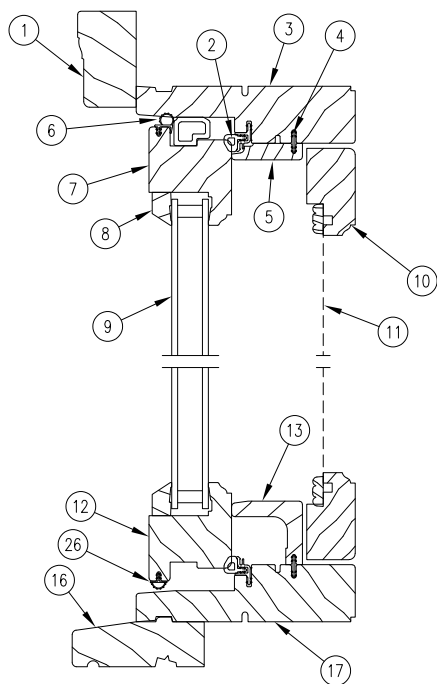


Head Jamb and Sill

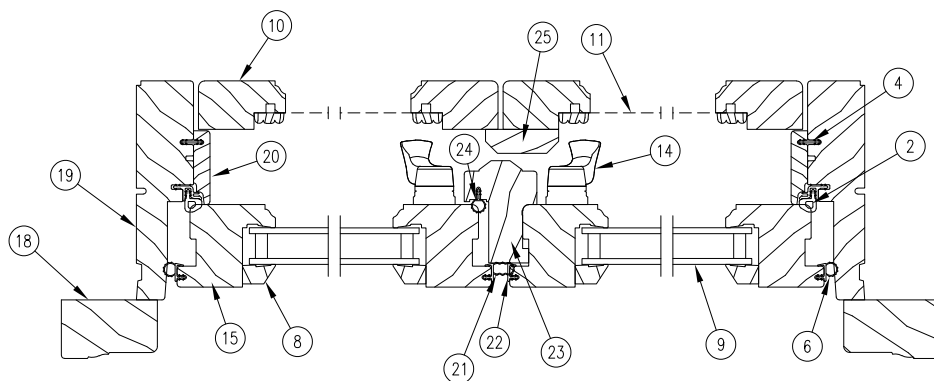


Jamb

1. Head Jamb Brick Mould Casing, W1047
2. Frame Weather Strip, V1983
3. Head Jamb
4. Connecting Barb, V803
5. Head Jamb Stop, W9787
6. Sash Weather Strip, V1655
7. Top Rail
8. Glazing Bead, W10384
9. Insulating Glass
10. Bottom Rail
11. Sill Cover, W9788
12. Subsill, W10333
13. Sill
14. Jamb Brick Mould Casing, W1047
15. Jamb
16. Jamb Stop, W9790
17. Stile
18. Meeting Stile Weather Strip, V1937
19. Meeting Stile Weather Strip Carrier, V1936
20. Astragal
21. Astragal Weather Strip, V147
22. Stationary Sash Block, V1613
23. Sash Weather Strip, V2512

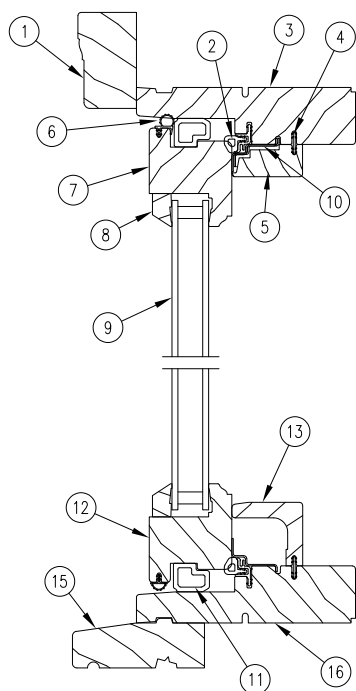


Head Jamb and Sill

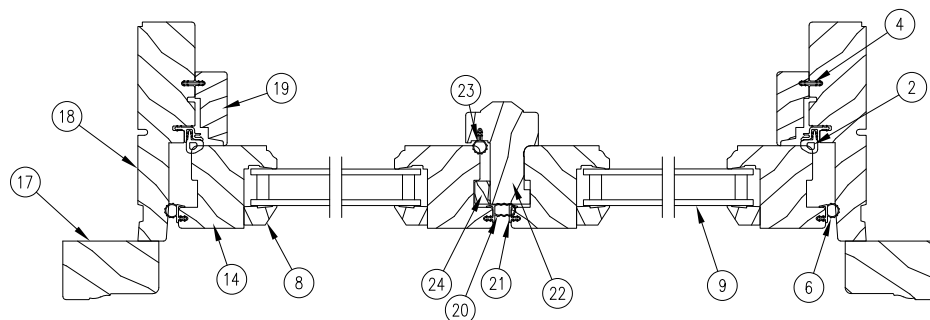


Jamb

1. Head Jamb Brick Mould Casing, W1047
2. Frame Weather Strip, V1983
3. Head Jamb
4. Connecting Barb, V803
5. Head Jamb Stop, W10231
6. Sash Weather Strip, V1655
7. Top Rail
8. Glazing Bead, W10384
9. Insulating Glass
10. Screen Frame
11. Screen Mesh
12. Bottom Rail
13. Sill Cover, W10329
14. Handle
15. Stile
16. Subsill, W10333
17. Sill
18. Jamb Brick Mould Casing, W1047
19. Jamb
20. Jamb Stop, W10230
21. Active Meeting Stile Weather Strip, V1937
22. Meeting Stile Weather Strip Carrier, V1936
23. Astragal
24. Astragal Weather Strip, V147
25. Screen Astragal
26. Sash Weather Strip, V2512



Head Jamb and Sill



Jamb

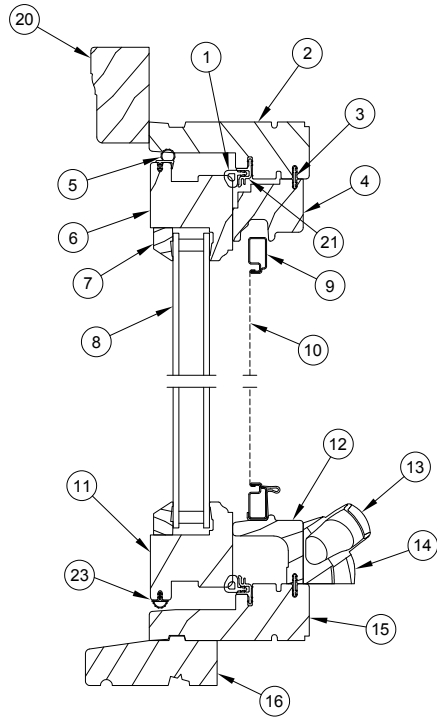
- 1. Head Jamb Brick Mould Casing, W1047
- 2. Frame Weather Strip, V1983
- 3. Head Jamb
- 4. Connecting Barb, V803
- 5. Head Jamb Stop, W11312
- 6. Sash Weather Strip, V1655
- 7. Top Rail
- 8. Glazing Bead, W10384
- 9. Insulating Glass

- 10. Stationary Bracket
- 11. Stationary Sash Block, V1613
- 12. Bottom Rail
- 13. Sill Cover, W10329
- 14. Stile
- 15. Subsill, W10333
- 16. Sill
- 17. Jamb Brick Mould Casing, W1047

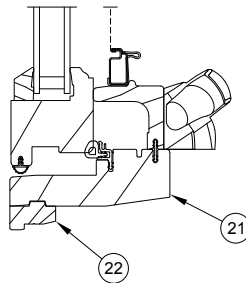
- 18. Jamb
- 19. Jamb Stop, W11311
- 20. Active Meeting Stile Weather Strip, V1937
- 21. Meeting Stile Weather Strip Carrier, V1936
- 22. Astragal
- 23. Astragal Weather Strip, V147
- 24. Sash Interlock Block
- 25. Sash Weather Strip, V2512

Ultimate Wood Casement/Awning Narrow Frame

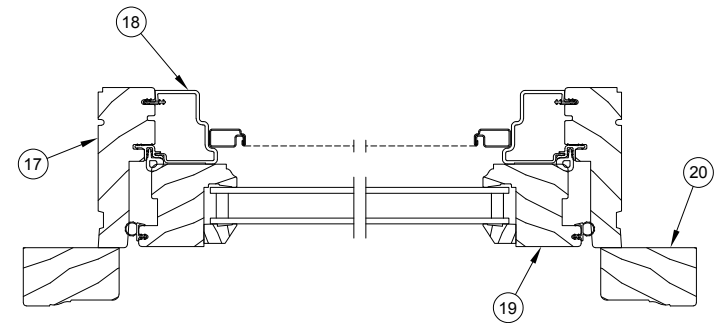
DISC-NA 8/30/21



Head Jamb and Sill



14 Degree Sloped Sill Option



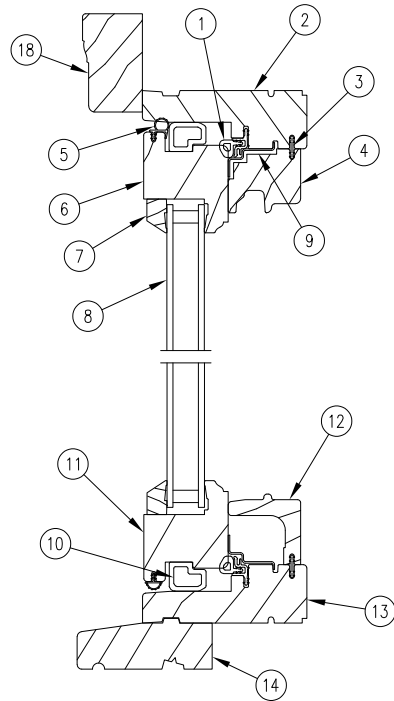
Jamb

- 1. Frame Weather Strip, V1983
- 2. Head Jamb
- 3. Connecting Barb, V803
- 4. Head Jamb Stop, W9787
- 5. Sash Weather Strip, V1655
- 6. Top Rail
- 7. Glazing Bead, W10384
- 8. Insulating Glass

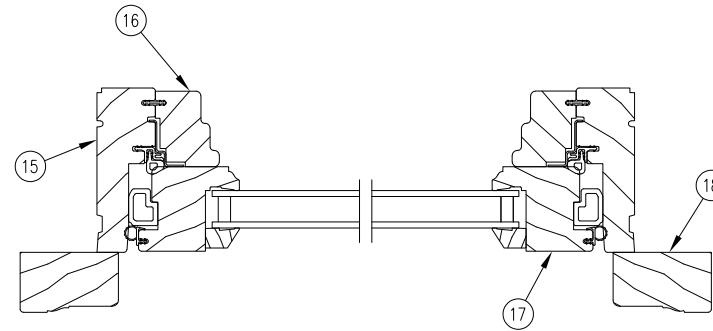
- 9. Screen Frame
- 10. Screen Mesh
- 11. Bottom Rail
- 12. Hardware Cover, W9788
- 13. Folding Crank Handle
- 14. Folding Crank Cover
- 15. Sill
- 16. Subsill, W10333

- 17. Jamb
- 18. Jamb Stop, V1666
- 19. Stile
- 20. Brick Mould Casing, W1047
- 21. 14 Degree Sloped Sill Option
- 22. Sill Riser, W11076
- 23. Sash Weather Strip, V2512

Ultimate Wood Casement/Awning Narrow Frame Picture - DISC-NA 8/30/21



Head Jamb and Sill

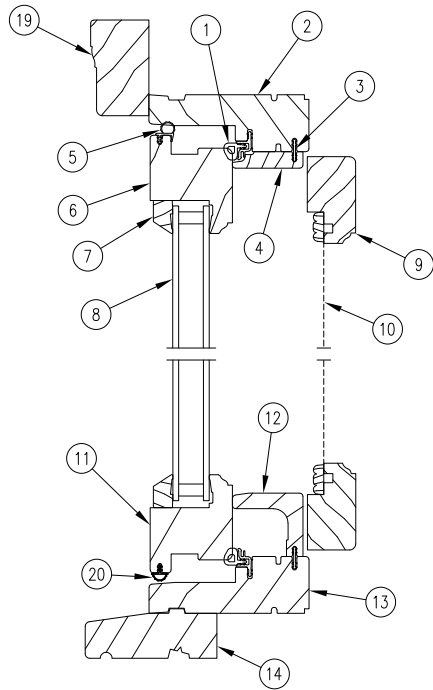


Jamb

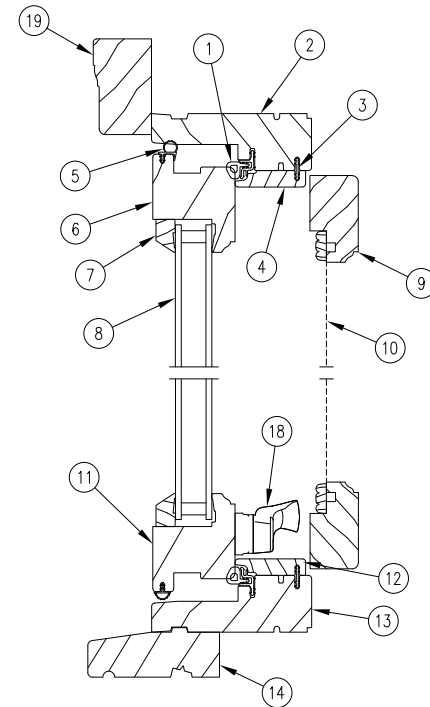
- | | | |
|-------------------------------|----------------------------------|-------------------------------------|
| 1. Frame Weather Strip, V1983 | 8. Insulating Glass | 15. Jamb |
| 2. Head Jamb | 9. Stationary Bracket | 16. Jamb Stop, W9790 |
| 3. Connecting Barb, V803 | 10. Stationary Sash Block, V1613 | 17. Stile |
| 4. Head Jamb Stop, W9787 | 11. Bottom Rail | 18. Brick Mould Casing, W1047 |
| 5. Sash Weather Strip, V1655 | 12. Sill Cover, W9788 | 19. Bottom Rail Weatherstrip, V2512 |
| 6. Top Rail | 13. Sill | |
| 7. Glazing Bead, W10384 | 14. Subsill, W10333 | |

Ultimate Wood Casement/Awning

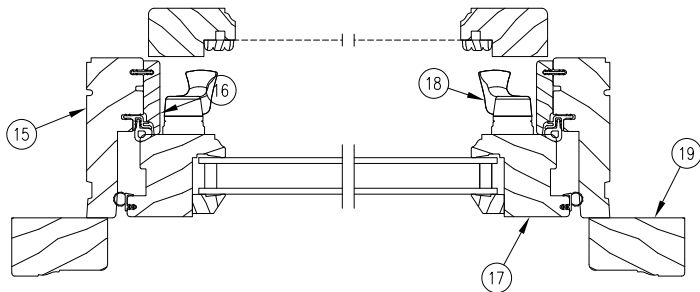
Narrow Frame Push Out - DISC-NA 8/30/21



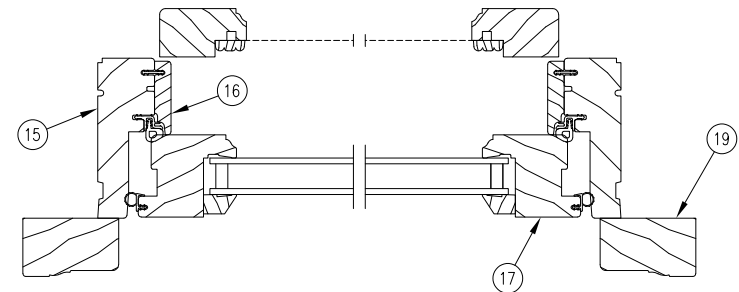
**Casement
Head Jamb and Sill Detail**



**Awning
Head Jamb and Sill Detail**



Jamb (Casement shown)

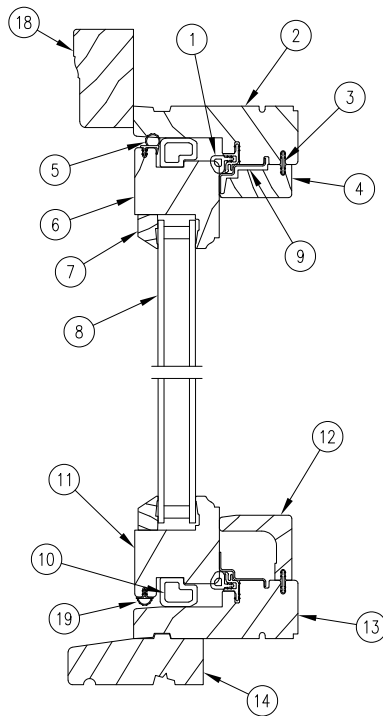


Jamb (Awning shown)

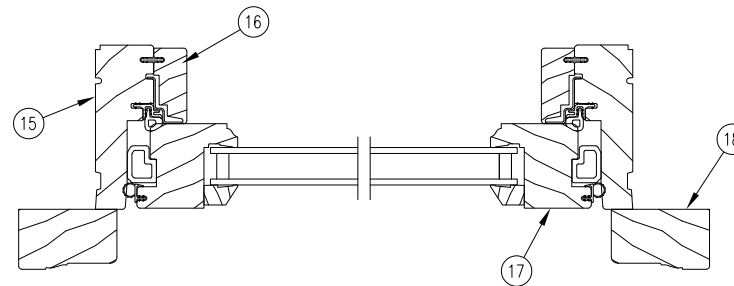
1. Frame Weather Strip, V1983
2. Head Jamb
3. Connecting Barb, V803
4. Head Jamb Stop, W10231
5. Sash Weather Strip, V1655
6. Top Rail
7. Glazing Bead, W10384
8. Insulating Glass
9. Screen Frame
10. Screen Mesh
11. Bottom Rail
12. Sill Cover, W10329 (CA), W10231 (AWN)
13. Sill
14. Subsill, W10333
15. Jamb
16. Jamb Stop, W10230
17. Stile
18. Handle
19. Brick Mould Casing, W0147
20. Sash Weather Strip, V2512

Ultimate Wood Casement/Awning

Narrow Frame Push Out Picture - DISC-NA 8/30/21



Head Jamb and Sill (Casement Shown)



Jamb (Casement shown)

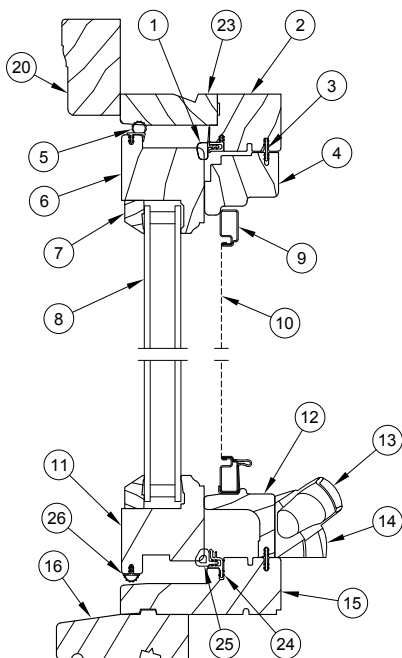
1. Frame Weather Strip, V1983
2. Head Jamb
3. Connecting Barb, V803
4. Head Jamb Stop, W11312
5. Sash Weather Strip, V1655
6. Top Rail
7. Glazing Bead, W10384

8. Insulating Glass
9. Stationary Bracket, V1613
10. Stationary Sash
11. Bottom Rail
12. Sill Cover, W10329
13. Sill

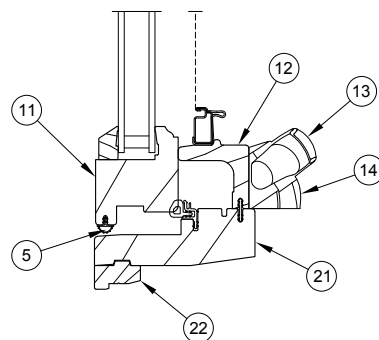
14. Subsill, W10333
15. Jamb
16. Jamb Stop, W11311
17. Stile
18. Brick Mould Casing, W1047
19. Sash Weather Strip, V2512

Ultimate Wood Casement/Awning

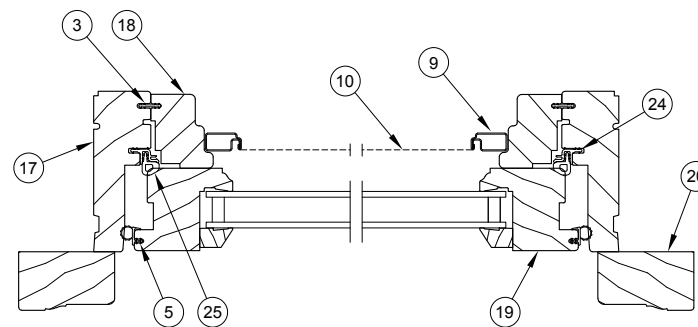
Narrow Frame Operator Round Top - DISC-NA 8/30/21



Head Jamb and Sill



14 Degree Sloped Sill Option



Jamb

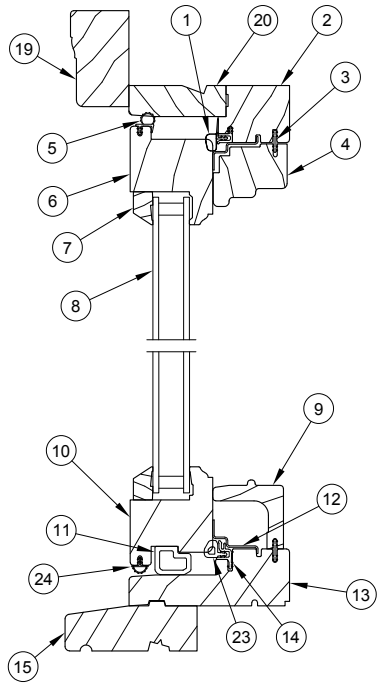
- 1. Head Jamb Weather Strip, V1725
- 2. Head Jamb, Interior Component
- 3. Connecting Barb, V803
- 4. Head Jamb Stop, W9767
- 5. Sash Weather Strip, V1655
- 6. Top Rail
- 7. Glazing Bead, W10384
- 8. Insulating Glass
- 9. Screen Frame

- 10. Screen Mesh
- 11. Bottom Rail
- 12. Sill Cover, W10430
- 13. Folding Crank Handle
- 14. Folding Crank Handle Cover
- 15. Sill
- 16. Subsill, W10333
- 17. Jamb
- 18. Jamb Stop, W9790

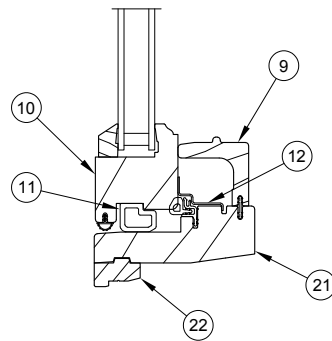
- 19. Stile
- 20. Brick Mould Casing, W1047
- 21. 14 Degree Sloped Sill Option
- 22. Sill Riser, W11076
- 23. Head Jamb, Exterior Component
- 24. Weather Strip Carrier
- 25. Frame Weatherstrip, V1983
- 26. Sash Weather Strip, V2512

Ultimate Wood Casement/Awning

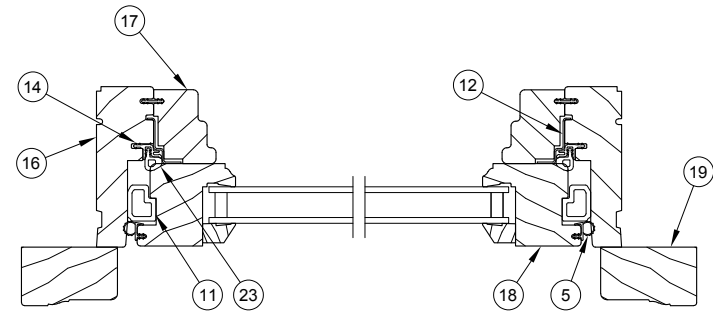
Narrow Frame Stationary Round Top - DISC-NA 8/30/21



Head Jamb and Sill



14 Degree Sloped Sill Option



Jamb

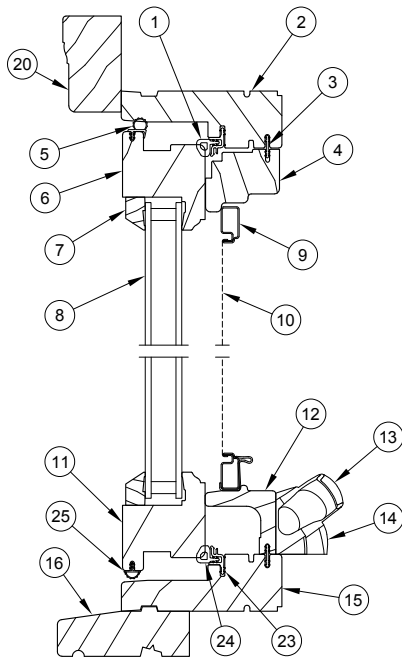
1. Head Jamb Weather Strip, V1725
2. Head Jamb, Interior Component
3. Connecting Barb, V803
4. Head Jamb Stop, W9767
5. Sash Weather Strip, V1655
6. Top Rail
7. Glazing Bead, W10384
8. Insulating Glass

9. Sill Cover, W10454
10. Bottom Rail
11. Stationary Sash Block, V1613
12. Stationary Bracket
13. Sill
14. Weather Strip Carrier
15. Subsill, W10333
16. Jamb

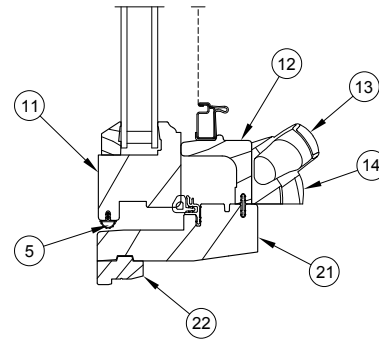
17. Jamb Stop, W9790
18. Stile
19. Brick Mould Casing, W1047
20. Head Jamb, Exterior Component
21. 14 Degree Sloped Sill Option
22. Sill Riser, W11076
23. Frame Weatherstrip, V1983
24. Sash Weather Strip, V2512

Ultimate Wood Casement/Awning

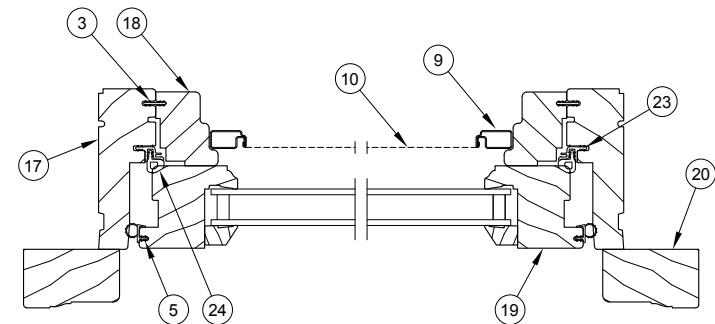
Narrow Frame Operator Polygon - DISC-NA 8/30/21



Head Jamb and Sill



14 Degree Sloped Sill Option



Jamb

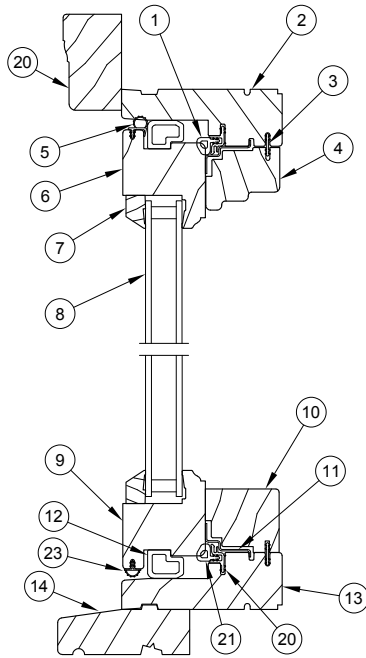
1. Head Jamb Weather Strip, V1983
2. Head Jamb
3. Connecting Barb, V803
4. Head Jamb Stop, W9790
5. Sash Weather Strip, V1655
6. Top Rail
7. Glazing Bead, W10384
8. Insulating Glass
9. Screen Frame

10. Screen Mesh
11. Bottom Rail
12. Sill Cover, W10430
13. Folding Crank Handle
14. Folding Crank Handle Cover
15. Sill
16. Subsill, W10333
17. Jamb
18. Jamb Stop, W9790

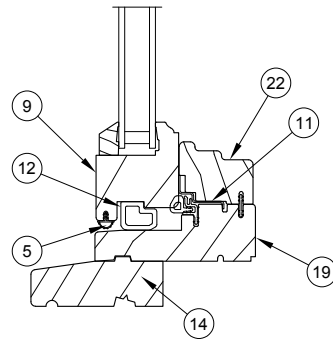
19. Stile
20. Brick Mould Casing, W1047
21. 14 Degree Sloped Sill Option
22. Sill Riser, W11076
23. Weather Strip Carrier
24. Frame Weather Strip, V1983
25. Sash Weather Strip, V2512

Ultimate Wood Casement/Awning

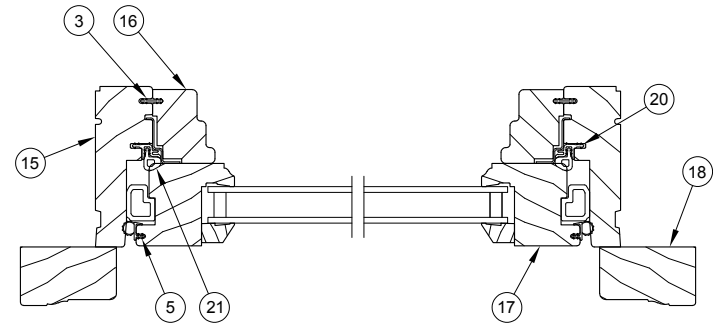
Narrow Frame Stationary Polygon - DISC-NA 8/30/21



Head Jamb and Sill



14 Degree Sloped Sill Option



Jamb

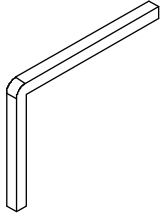
1. Frame Weather Strip, V1983
2. Head Jamb
3. Connecting Barb, V803
4. Head Jamb Stop, W9767
5. Sash Weather Strip, V1655
6. Top Rail
7. Glazing Bead, W10384
8. Insulating Glass

9. Bottom Rail
10. Sill Cover, W10430
11. Sash Bracket
12. Stationary Sash Block, V1613
13. Sill
14. Subsill, W10333
15. Jamb
16. Jamb Stop, W9790

17. Stile
18. Brick Mould Casing, W1047
19. 14 Degree Sloped Sill Option
20. Weather Strip Carrier
21. Frame Weather Strip, V1983
22. Stationary Sill Stop, W9790
23. Sash Weather Strip, V2512

Construction Handle

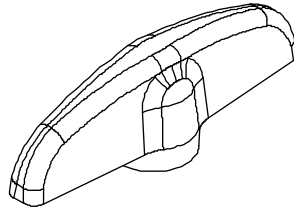
| |
|----------|
| PN |
| 10501401 |



T-Handle, Operator

Construction handle only

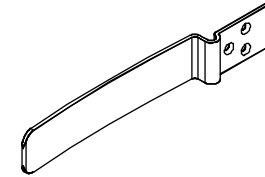
| |
|----------|
| PN |
| 10898670 |



Sash Removal/Installation Tool

Venting Picture

| |
|----------|
| PN |
| 11860024 |



Folding Handle and Cover

Crank Casement/Awning

Casement and Awning Narrow Frame

French Casement

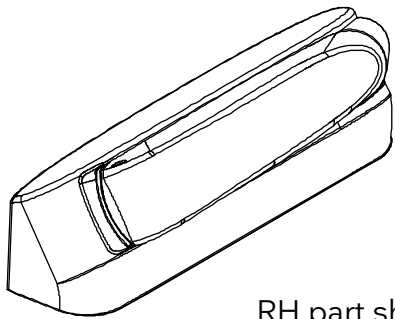
Casement operators under 20" frame width use a dyad operator which requires an opposite handed cover.

NOTE: When ordering a handle for a unit with a Casement dyad operator, order a RH part number for a LH operator and vice versa.

NOTE: Awning units always require LH handles and covers.

NOTE: LH parts will be sent in a white bag and RH parts will be sent in a red bag.

| Color | LH PN | RH PN |
|-------------------|----------|----------|
| Satin Taupe | 10898730 | 10898735 |
| White | 10898750 | 10898755 |
| Bronze | 10898740 | 10898745 |
| Brass | 10898760 | 10898761 |
| Antique Brass | 10898762 | 10898763 |
| Satin Chrome | 10898766 | 10898767 |
| Oil Rubbed Bronze | 10898768 | 10898769 |
| Satin Nickel | 10898770 | 10898771 |
| Polished Chrome | 10898764 | 10898765 |
| Matte Black | 10898772 | 10898773 |

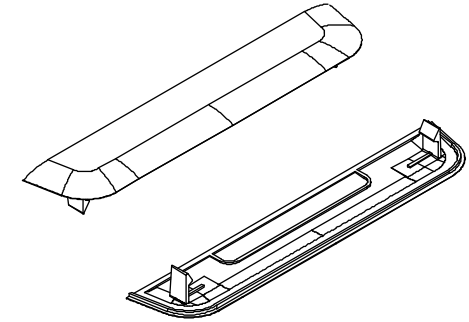


RH part shown

Folding Handle Under Cover

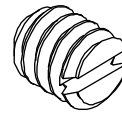
Casement and Awning Narrow Frame only

| Color | PN |
|-------------------|----------|
| Satin Taupe | 10898589 |
| White | 10898599 |
| Bronze | 10898609 |
| Brass | 10898619 |
| Antique Brass | 10898629 |
| Satin Chrome | 10898649 |
| Oil Rubbed Bronze | 10898659 |
| Satin Nickel | 10898669 |
| Polished Chrome | 10898639 |
| Matte Black | 10898729 |



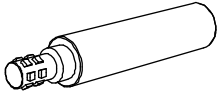
Set Screw for Folding Handle

| PN |
|----------|
| 10898583 |



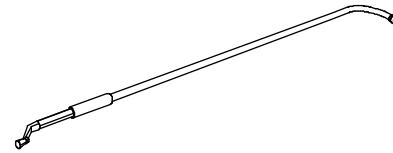
Extension, 2"

| Color | PN |
|-------------|----------|
| Satin Taupe | 05570436 |
| Bronze | 05570432 |
| White | 05570430 |



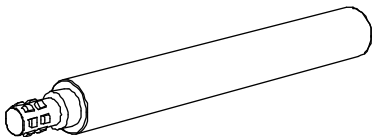
Crank, Pole

| Length | Color | PN |
|-------------|-------------|----------|
| 60" (1524) | Mill Finish | 01590321 |
| 96" (2438) | | 01590411 |
| 138" (3505) | | 05540711 |



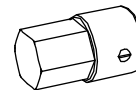
Extension, 4"

| Color | PN |
|-------------|----------|
| Satin Taupe | 05570435 |
| Bronze | 05570431 |
| White | 05570429 |



Adapter, Pole Crank

| Color | PN |
|-------------|----------|
| Mill Finish | 05570447 |



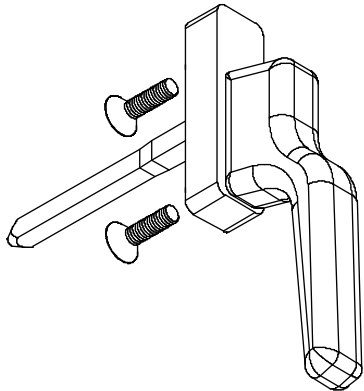
French Handle Package

French Casement

Includes:

- 1 - Handle
- 2 - 1/4" x 3/4" machine screws (only available with the handle package)

| Color | PN |
|-------------------|----------|
| White | 10816150 |
| Bronze | 10816151 |
| Brass | 10816152 |
| Satin Taupe | 10816153 |
| Antique Brass | 10816154 |
| Polished Chrome | 10816155 |
| Satin Chrome | 10816156 |
| Oil Rubbed Bronze | 10816157 |
| Satin Nickel | 10816158 |



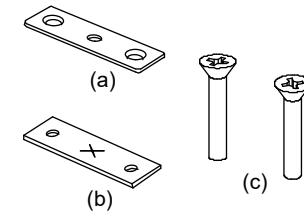
Handle Accessory Kit

Includes:

- 1 - Face plate (a) - (10816041)
- 1 - Gasket (b) - (10816098)
- 2 - M5x2mm flat head screws (c) - (10816045)

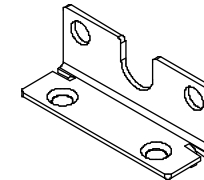
NOTE: For French Casement Handle

| PN |
|----------|
| 11850115 |



French Handle Mounting Bracket

| PN |
|----------|
| 11861169 |



Lock Handle

Casement/Awning Narrow Frame Push Out
Casement/Awning Push Out
French Casement Push Out
French Casement Narrow Frame Push Out
French Casement Push Out

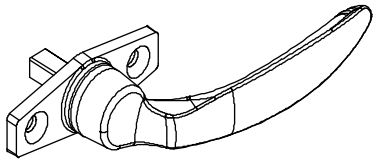
Includes:

2 - #10-32 x 7/8" flat head screws:

Oil Rubbed Bronze (11801089), Antique Brass (11801092),
 Brass (11801091), Satin Nickel (11801090), White (11801093),
 Matte Black (11801094)

NOTE: Awning Push Out uses only LH handles

| Handle Color | LH PN | RH PN |
|-------------------|----------|----------|
| Oil Rubbed Bronze | 10898400 | 10898401 |
| Antique Brass | 10898406 | 10898407 |
| Brass | 10898404 | 10898405 |
| Satin Nickel | 10898402 | 10898403 |
| White | 10898408 | 10898409 |
| Matte Black | 10898418 | 10898419 |



RH Shown

Dummy Handle

Casement/Awning Narrow Frame Push Out
Casement/Awning Push Out
French Casement Push Out
French Casement Narrow Frame Push Out
French Casement Push Out

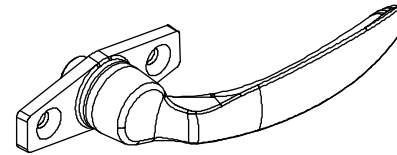
Includes:

2 - #10-32 x 7/8" flat head screws:

Oil Rubbed Bronze (11801089), Satin Nickel (11801090),
 Brass (11801091), Antique Brass (11801092)

NOTE: Awning Push Out uses only LH handles

| Color | LH PN | RH PN |
|-------------------|----------|----------|
| Oil Rubbed Bronze | 10898410 | 10898411 |
| Brass | 10898414 | 10898415 |
| Antique Brass | 10898416 | 10898417 |
| Satin Nickel | 10898412 | 10898413 |



RH Shown

Hinge Arm

Casement

Casement/French Casement Push Out

Includes:

Hinge Arm

#8-18 x 1" Steel Zinc E-Gard screws (11800552)

UL/LR = Upper Left / Lower Right

LL/UR = Lower Left / Upper Right

(as viewed from exterior)

Product and Sizing (18" arms)

Casement and Casement Push Out = 20" (508) - 23 63/64" (609) Frame width

French Casement Push Out = 40" (1016) - 47 63/64" (1219) Frame width

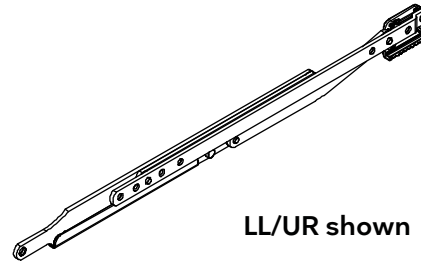
| Length | Color | Handing | PN |
|----------|-----------------|---------|----------|
| 18" arms | E-Gard | UL/LR | 10816401 |
| | | LL/UR | 10816400 |
| | Stainless Steel | UL/LR | 10826401 |
| | | LL/UR | 10826400 |

Product and Sizing (22" arms)

Casement and Casement Push Out = 24" (610) and wider Frame width

French Casement Push Out = 48" (1219) and wider Frame width

| Length | Color | Handing | PN |
|----------|-----------------|---------|----------|
| 22" arms | E-Gard | UL/LR | 10816405 |
| | | LL/UR | 10816404 |
| | Stainless Steel | UL/LR | 10826405 |
| | | LL/UR | 10826404 |



LL/UR shown

Non-Wash Mode Hinge Arm

Casement/Awning

French Casement

French Casement Push Out

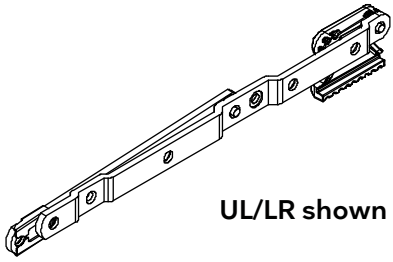
Includes:

Hinge Arm

#8-18 x 1" E-Gard screws (11800552)

| Product and Sizing |
|---|
| Casement/Awning = /< 20" (508) frame width |
| French Casement Push Out = 36" (904) - 39.999" (1016) frame width |
| French Casement = 40" (1016) - 45 1/16" (1145) frame width |

| Length | Color | LH PN | RH PN |
|--------|-----------------|----------|----------|
| 10" | E-Gard | 10816408 | 10816409 |
| | Stainless Steel | 10826408 | 10826409 |



Non-Wash Mode Hinge Arm Without Stop

French Casement

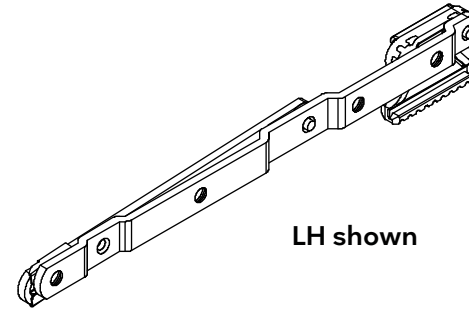
Includes:

Hinge Arm

#8-18 x 1" E-Gard screws (11800552)

| Product and Sizing |
|---|
| French Casement 45.064" (1145) - 60" (1524) frame width |

| Length | Color | LH PN | RH PN |
|--------|-----------------|----------|----------|
| 10" | E-Gard | 10816422 | 10816423 |
| | Stainless Steel | 10826422 | 10826423 |



Hinge Arm

Crank Awning

Includes:

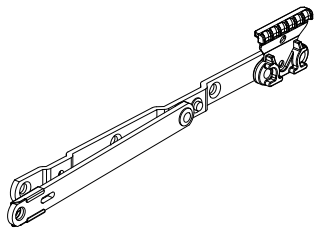
Hinge Arm

#8-18 x 1" Steel Zinc E-Gard screws (11800552)

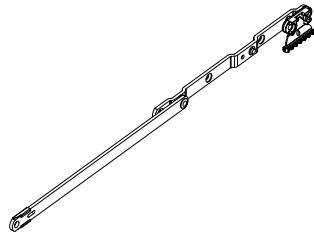
| Frame height sizes | Length | Color | LH PN | RH PN |
|--|-----------|-----------------|----------|----------|
| 11 1/2" (292) - 20 7/64" (510) | 10" arms* | E-Gard | 10816408 | 10816409 |
| | | Stainless Steel | 10826408 | 10826409 |
| *When used with the 12" (305) Awning operator, the minimum frame height is 15 1/8" (384) | | | | |

| Frame height sizes | Length | Color | LH PN | RH PN |
|--------------------------------|----------|-----------------|----------|----------|
| 20 1/8" (511) - 35 7/64" (891) | 18" arms | E-Gard | 10816412 | 10816413 |
| | | Stainless Steel | 10826412 | 10826413 |

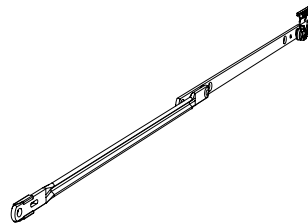
| Frame height sizes | Length | Color | LH PN | RH PN |
|----------------------------|----------|-----------------|----------|----------|
| 35 1/8" (892) - 96" (2438) | 26" arms | E-Gard | 10816416 | 10816417 |
| | | Stainless Steel | 10826416 | 10826417 |



10" Hinge Arm



18" Hinge Arm

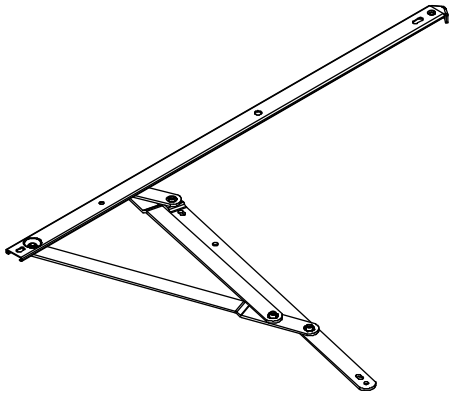


26" Hinge Arm

4-Bar Hinge Assembly

Awning Push Out

| Frame Height Range | Hinge Length | Color | Size | PN |
|--------------------|---------------|-----------------|------|----------|
| 11.875" - 24.875" | 10.500" (267) | Stainless Steel | 10" | 10827120 |
| 24.876" - 35.875" | 16.500" (419) | | 16" | 10827121 |
| 35.876" - 47.125" | 24.500" (622) | | 24" | 10827122 |



Hinge Track

Casement

French Casement

Casement/French Casement Push Out

Includes:

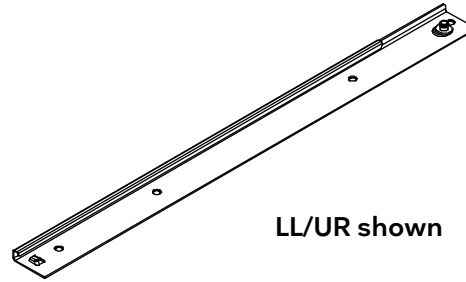
Hinge Track

#7-19 x 5/8" Stainless Steel screws (11800736)

UL/LR = Upper Left / Lower Right

LL/UR = Lower Left / Upper Right

(as viewed from exterior)

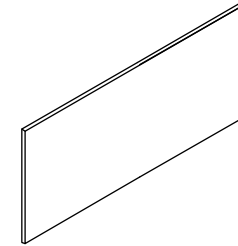


LL/UR shown

Gasket, Hinge Track, Sill

Ultimate Wood Products only

| Length | PN |
|--------|----------|
| 10" | 10815710 |
| 18" | 10815718 |
| 22" | 10815722 |



| Product and Sizing (10" arms) | Length | Handing | PN |
|---|-------------|---------|----------|
| Casement and Casement Push Out = /< 20" (508) frame width French Casement Push Out = 36" (914) - 39.999" (991) frame width French Casement = 40" (1016) and greater frame width | 10" arms | UL/LR | 10816410 |
| | | LL/UR | 10816411 |

| Product and Sizing (18" arms) | Length | Handing | PN |
|--|-------------|---------|----------|
| Casement and Casement Push Out = 20" (508) - 23.999" (610) frame width French Casement Push Out = 40.0" (1016) - 47.000" (1194) frame width | 18" arms | UL/LR | 10816403 |
| | | LL/UR | 10816402 |

| Product and Sizing (22" arms) | Length | Handing | PN |
|---|-------------|---------|----------|
| Casement and Casement Push Out = 24" (610) and wider frame width French Casement Push Out = 48" (1219) and greater frame width | 22" arms | UL/LR | 10816407 |
| | | LL/UR | 10816406 |

Hinge Track

Crank Awning

Includes:

Hinge Arm - stainless steel finish
 #7-19 x 5/8" stainless steel screws (11800736)

| Sizing | Length | LH PN | RH PN |
|--|-------------|----------|----------|
| Frame height 11 1/2" (292) - 20 7/64" (510) | 10" tracks* | 10816410 | 10816411 |
| Frame height 20 1/8" (511) - 35 7/64" (891) | 18" tracks | 10816414 | 10816415 |
| Frame height 35 1/8" (892) - 96" (2438) | 26" tracks | 10816418 | 10816419 |
| *When used with the 12" (305) Awning operator, the minimum frame height is 15 1/8" (384) | | | |

Hinge Track with Non-adjustable Stud

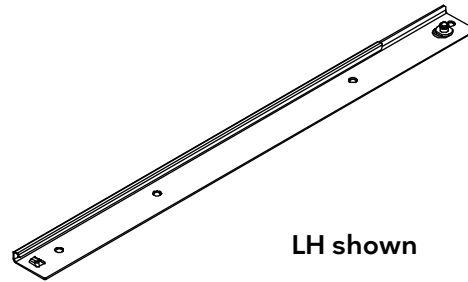
NOTE: For Field Service Only

Crank Awning

Includes:

Hinge Arm - stainless steel finish
 #7-19 x 5/8" stainless steel screws

| Sizing | Length | LH PN | RH PN |
|---|------------|----------|----------|
| Frame height 20 1/8" (511) - 35 7/64" (891) | 18" tracks | 10816494 | 10816495 |
| Frame height 35 1/8" (892) - 96" (2438) | 26" tracks | 10816492 | 10816493 |



LH shown

Butt Hinge

*Casement Round Top, Casement Narrow Frame Round Top
Casement Polygon, Casement Narrow Frame Polygon*

Usage dates:

4/23/2013 to present

Includes:

Type A-17, full thread screws:

1- #10x3" stainless steel (11801031)

3- #10x5/8" stainless steel (11800564)

4- #8x1" coordinated colored screw head with hinge ordered:

Beige (11800559), White (11800558), Black (11800560),

Stainless Steel (no color) (11800556)

| Color | PN |
|-----------------|----------|
| Beige | 10819314 |
| White | 10819315 |
| Black | 10819316 |
| Stainless Steel | 10819317 |

Backer Plate

Includes:

1 - Backer plate

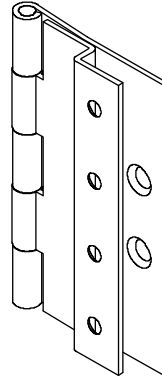
1 - #10 x 5/8" stainless steel screw (11800564)

NOTE: One backer plate needed per hinge

| Color | PN |
|-------|----------|
| Black | 10500441 |



**Backer
Plate**



Hinge

Butt Hinge

*Casement Round Top, Casement Narrow Frame Round Top
Casement Polygon, Casement Narrow Frame Polygon*

Usage dates:

10/15/2012 to 04/22/2013

Includes:

Type A-17, full thread screws:

1 - #10 x 3" stainless steel (11801031)

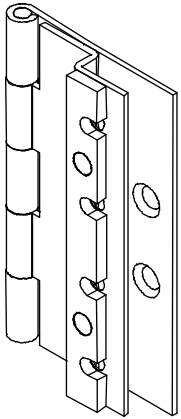
3 - #10 x 5/8" stainless steel (11800564)

4 - #8 x 1" coordinated colored screw head with hinge ordered:

Beige (11800559), White (11800558), Black (11800560),

Stainless Steel (no color) (11800556)

| Color | PN |
|-----------------|----------|
| Beige | 10819304 |
| White | 10819305 |
| Black | 10819306 |
| Stainless Steel | 10819307 |



Butt Hinge

Casement Round Top

Usage dates:

03/30/2009 to 10/14/2012

Includes:

Type A-17, full thread screws:

1 - #10 x 3" stainless steel (11801031)

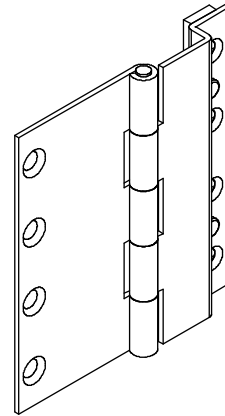
3 - #10 x 5/8" stainless steel (11800562)

4 - #8 x 1" coordinated colored screw head with hinge ordered:

Beige (11800559), White (11800558), Black (11800560),

Stainless Steel (no color) (11800556)

| Color | PN |
|-----------------|----------|
| Beige | 10819300 |
| White | 10819301 |
| Black | 10819302 |
| Stainless Steel | 10819303 |



Dyad Operator

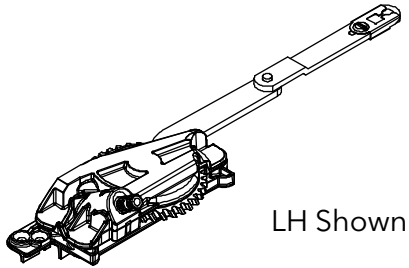
Casement

Casement Narrow Frame

French Casement

| Product and Sizing |
|--|
| Casement/Casement Narrow Frame <20" (508) frame width |
| French Casement 40" (1016)-45 1/16" (1145) frame width |

| Color | LH PN | RH PN |
|-----------------|----------|----------|
| E-Gard | 10816298 | 10816299 |
| Stainless Steel | 10826298 | 10826299 |



Stud Bracket, Dyad Operator

Casement

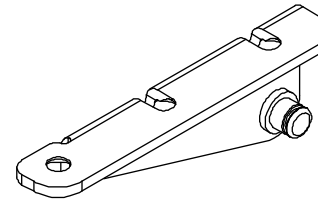
Casement Narrow Frame

French Casement

Includes:

- 1 - Stud Bracket
- 2 - #8-18 x 1" screws (11800552)

| Color | LH PN | RH PN |
|-----------------|----------|----------|
| E-Gard | 10816300 | 10816301 |
| Stainless Steel | 10826300 | 10826301 |



Single Arm Operator

Casement

Casement Operator Polygon and Round Top

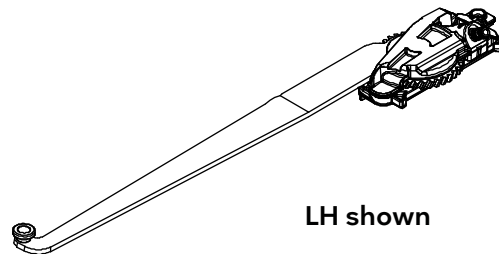
French Casement

| Product and Sizing (8 3/4" arm) | Length | Color | LH PN | RH PN |
|--|--------|-----------------|----------|----------|
| Casement and Casement Operator Polygon/Round Top < 19" (483) frame width French Casement 45 1/16" (1145) - 47 5/8" (1209) frame width | 8 3/4" | E-Gard | 10816341 | 10816342 |
| | | Stainless Steel | 10826341 | 10826342 |

| Product and Sizing (10" arm) | Length | Color | LH PN | RH PN |
|--|--------|-----------------|----------|----------|
| Casement and Casement Operator Polygon/Round Top 20" (508) -24" (610) frame width French Casement 47 5/8" (1210) - 56 1/4" (1428) frame width | 10" | E-Gard | 10816290 | 10816291 |
| | | Stainless Steel | 10826290 | 10826291 |

| Product and Sizing (14" arm) | Length | Color | LH PN | RH PN |
|---|--------|-----------------|----------|----------|
| Casement and Casement Operator Polygon/Round Top 24.001" (610) - 30" (762) frame width French Casement 56 1/4" (1428) - 60" (1524) frame width | 14" | E-Gard | 10816292 | 10816293 |
| | | Stainless Steel | 10826292 | 10826293 |

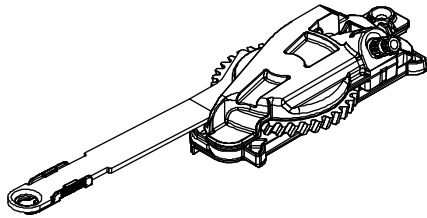
| Product and Sizing (18" arm) | Length | Color | LH PN | RH PN |
|---|--------|-----------------|----------|----------|
| Casement and Casement Operator Polygon/Round Top 30.001" (762) - 44" (1018) frame width | 18" | E-Gard | 10816294 | 10816295 |
| | | Stainless Steel | 10826294 | 10826295 |



Single Arm Operator

Crank Awning

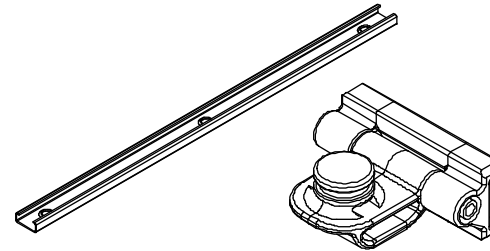
| Sizing | Length | Color | PN |
|---------------------------------|--------|-----------------|----------|
| Frame width < 24" (61) | 5" | E-Gard | 10816287 |
| | | Stainless Steel | 10826287 |
| Frame width 24" (61) - 32" (81) | 8.5" | E-Gard | 10816280 |
| | | Stainless Steel | 10826280 |
| Frame width >32" (81) | 12" | E-Gard | 10816285 |
| | | Stainless Steel | 10826285 |



Operator Track and Pivot Slide

Crank Awning

| Sizing | Length | Color | PN |
|---------------------------------|--------|-----------------|----------|
| Frame width < 24" (61) | 5" | E-Gard | 10816286 |
| | | Stainless Steel | 10826286 |
| Frame width 24" (61) - 32" (81) | 8.5" | E-Gard | 10816289 |
| | | Stainless Steel | 10826289 |
| Frame width >32" (81) | 12" | E-Gard | 10816284 |
| | | Stainless Steel | 10826284 |

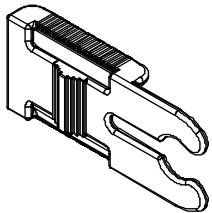


Detach Clip for Single Arm Operator

NOTE: For field replacement

Crank Awning

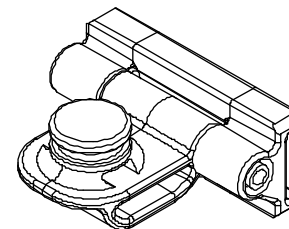
| PN |
|----------|
| 10500452 |



Pivot Slide

Crank Awning

| PN |
|----------|
| 10816282 |



Operator Track

Casement

French Casement

Casement Round Top

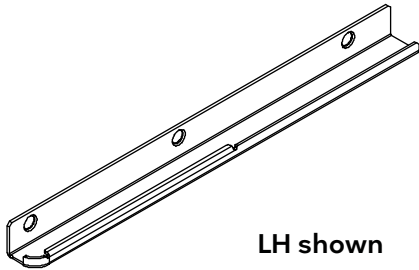
Casement Narrow Frame Round Top

Casement Operator Polygon

Casement Narrow Frame Operator Polygon

NOTE: For Casement units manufactured 11/01/2008 and after.

| Product and Sizing | | Length | Color | LH PN | RH PN |
|---|--|---------|-----------------|----------|----------|
| French Casement 45 1/16" (1145) - 47 5/8" (1209) frame width | All Casement Operator Round Tops and Casement Operator Polygons | 8 5/16" | E-Gard | 10816345 | 10816346 |
| | | | Stainless Steel | 10826345 | 10826346 |
| French Casement - All other frame widths | All other Casement products | 9" | E-Gard | 10816343 | 10816344 |
| | | | Stainless Steel | 10826343 | 10826344 |



LH shown

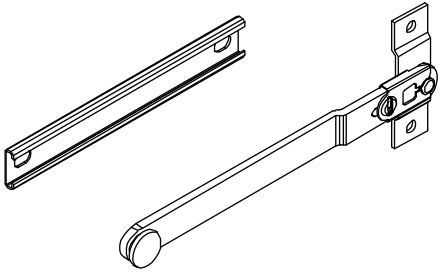
Sash Limiter Kit, Non-Custodial

Casement/Awning

Includes:

- 1 - Sash Limiter and Track Assembly
- 4 - #8 x 11/16" Phillips Pan Head AB SMS screws (11886875)

| |
|----------|
| PN |
| 11850795 |



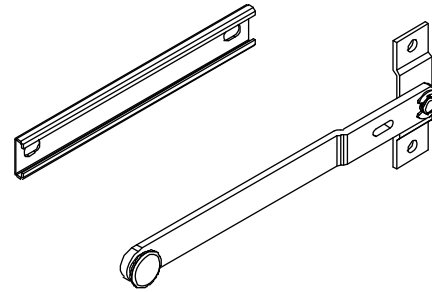
Sash Limiter Kit, Custodial

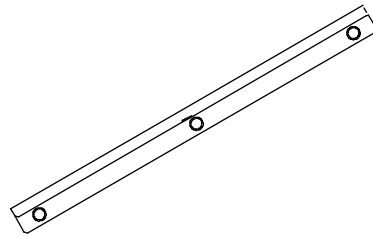
Casement/Awning

Includes:

- 1 - Sash Limiter and Track Assembly
- 4 - #8 x 11/16" Torx T20 Pan head screws (11886876)
- 1 - Snap Ring
- 1 - Torx Tamper-Proof Custodial Bit (02071481)

| |
|----------|
| PN |
| 11850794 |





Operator Track

For units manufactured before 11/1/2008

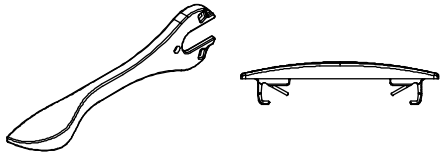
Replace with current 9"

Lock Handle and Escutcheon

Crank Casement/Awning

NOTE: Used on units manufactured after 10/04/2008

| Color | PN |
|-------------------|----------|
| Satin Taupe | 10816304 |
| White | 10816305 |
| Bronze | 10816306 |
| Brass | 10816307 |
| Antique Brass | 10816308 |
| Satin Chrome | 10816310 |
| Oil Rubbed Bronze | 10816311 |
| Satin Nickel | 10816312 |
| Polished Chrome | 10816309 |
| Matte Black | 10816399 |



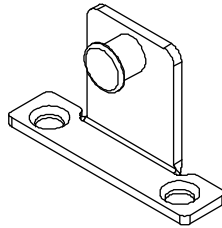
Keeper

Crank Casement/Awning

Includes:

- 1 - Keeper
- 2 - #8-18 x 1" screws (11800552)

| Color | PN |
|-----------------|----------|
| E-Gard | 10816225 |
| Stainless Steel | 10826225 |



Extended Leg Keeper

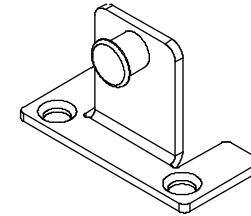
IZ3 Casement Round Top

Casement Narrow Frame Round Top

Casement Operator Polygon

Casement Narrow Frame Operator Polygon

| Color | PN |
|-----------------|----------|
| Zinc | 10816226 |
| Stainless Steel | 10826226 |



Keeper

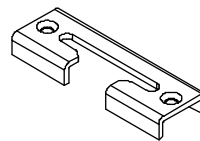
Casement/Awning Push Out

Casement/Awning Narrow Frame Push Out

Includes:

- 2 - #8 x 1" full thread screws (11800551)

| PN |
|----------|
| 10501399 |



Keeper

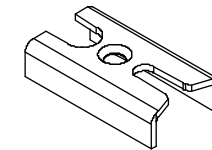
French Casement Push Out

French Casement Narrow Frame Push Out

Includes:

- 2 - #8 x 5/8" full thread screws (11805180)

| PN |
|----------|
| 10817198 |



ATC (Around the Corner) Lock Assembly

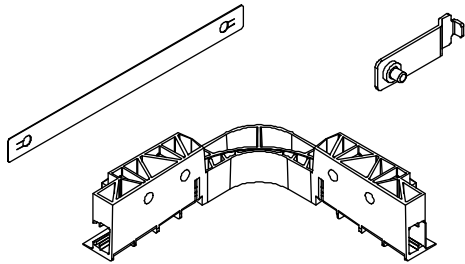
Crank Awning

Includes:

Lock Assembly

#8-18 x 1 1/4" Pan head screws (11800557)

| Frame width sizing | PN |
|----------------------------|----------|
| 16.000" to 36.000": no ATC | 10501402 |
| 36.001" - 56.000": 1 ATC | |
| 56.001" - 96.000": 2 ATCs | |



Cam Lock

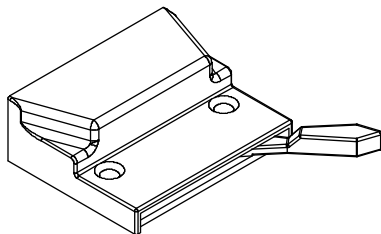
Casement Round Top

Includes:

2 - #8 x 1 1/2" Phillips flat head self-tapping screws: Bronze (11881117), White (11881118), Satin Taupe (11881116)

2 - #7 x 1 1/4" Phillips flat head self-tapping screws: Brass (11807120)

| Color | PN |
|-------------|----------|
| Bronze | 10814904 |
| White | 10814905 |
| Satin Taupe | 10814907 |
| Brass | 10814906 |



Lock Base Assembly

Non-Handed

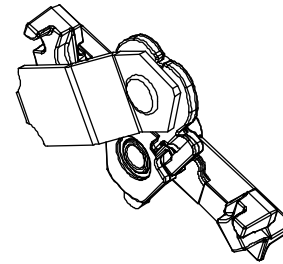
Crank Casement/Awning (manufactured 10/04/2008 and later)

Includes:

Lock Base Assembly

#8 x 1 1/4" Pan head screws (11800557)

| PN |
|----------|
| 10816313 |



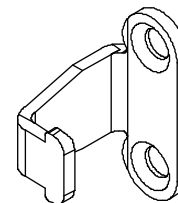
High Strength Keeper

Casement Round Top

Includes:

2 - #8 x 1 1/4" flat head screws (11808118)

| PN |
|----------|
| 10814900 |



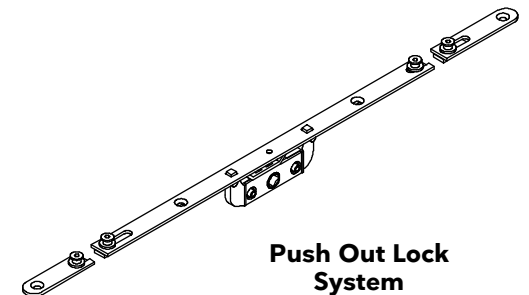
Push Out Lock System

Casement/Awning Push Out

| Standard Location | | | | | |
|----------------------|-------------------------------------|--------------------------------|--------------------|-------------------|-----------------|
| Description | Lock Bar Finish Overall (in inches) | Frame Height Range (in inches) | Stainless Steel PN | Steel (Yellow) PN | Handle Location |
| Lock System (250mm) | 9 27/32" | 15 1/16" - 23 9/32" | 10827100 | 10817100 | Centered |
| Lock System (400mm) | 15 3/4" | >23 9/32" - 31 5/32" | 10827101 | 10817101 | Centered |
| Lock System (600mm) | 23 5/8" | >31 5/32" - 39 1/32" | 10827102 | 10817102 | Centered |
| Lock System (800mm) | 31 1/2" | >39 1/32" - 46 29/32" | 10827103 | 10817103 | Centered |
| Lock System (1000mm) | 39 3/8" | >46 29/32" - 54 25/32" | 10827104 | 10817104 | Centered |
| Lock System (1200mm) | 47 1/4" | >54 25/32" - 64 9/32" | 10827105 | 10817105 | Centered |
| Lock System (1200mm) | 47 1/4" | >64 9/32" - 66 5/16" | 10827105 | 10817105 | Below Center |
| Lock System (1400mm) | 55 1/8" | >66 5/16" - 74 3/16" | 10827106 | 10817106 | Below Center |
| Lock System (1600mm) | 63" | >74 3/16" - 82 1/16" | 10827107 | 10817107 | Below Center |
| Lock System (1800mm) | 70 7/8" | >82 1/16" - 89 7/32" | 10827108 | 10817108 | Below Center |
| Lock System (1950mm) | 76 25/32" | 89 7/32" - 96 7/32" | 10827109 | 10817109 | Below Center |

| Low Lock Standard Location (NOTE: The low lock box handle is located 7 7/8" from the bottom of the hardware) | | | | | |
|--|-------------------------------------|--------------------------------|--------------------|-------------------|-----------------|
| Description | Lock Bar Finish Overall (in inches) | Frame Height Range (in inches) | Stainless Steel PN | Steel (Yellow) PN | Handle Location |
| Lock System (600mm) | 23 5/8" | 35 1/16" - 42 31/32" | 10827110 | 10817110 | Low |
| Lock System (800mm) | 31 1/2" | >42 31/32" - 50 13/16" | 10827111 | 10817111 | Low |
| Lock System (1000mm) | 39 3/8" | >50 13/16" - 58 11/16" | 10827112 | 10817112 | Low |
| Lock System (1200mm) | 47 1/4" | >58 11/16" - 66 9/16" | 10827113 | 10817113 | Low |
| Lock System (1400mm) | 55 1/8" | >66 9/16" - 74 7/16" | 10827114 | 10817114 | Low |
| Lock System (1600mm) | 63" | >74 7/16" - 82 5/16" | 10827115 | 10817115 | Low |
| Lock System (1800mm) | 70 7/8" | >82 5/16" - 89 7/32" | 10827116 | 10827116 | Low |
| Lock System (1950mm) | 76 25/32" | >89 7/32" - 96 15/32" | 10827117 | 10817117 | Low |

| Awning Push Out Locks | | | | |
|-----------------------|-------------------------------------|-------------------------------|--------------------|-------------------|
| Lock CN | Lock Bar Finish Overall (in inches) | Frame Width Range (in inches) | Stainless Steel PN | Steel (Yellow) PN |
| 250 | 9 27/32" | 16 1/16" - 21 31/32" | 10827100 | 10817100 |
| 400 | 15 3/4" | >21 31/32" - 29 27/32" | 10827101 | 10817101 |
| 600 | 23 5/8" | >29 27/32" - 37 23/32" | 10827102 | 10817102 |
| 800 | 31 1/2" | >37 23/32" - 45 19/32" | 10827103 | 10817103 |
| 1000 | 39 3/8" | >45 19/32" - 53 15/32" | 10827104 | 10817104 |
| 1200 | 47 1/4" | >53 15/32" - 64 15/32" | 10827105 | 10817105 |
| 1400 | 55 1/8" | >64 15/32" - 72 11/32" | 10827106 | 10817106 |

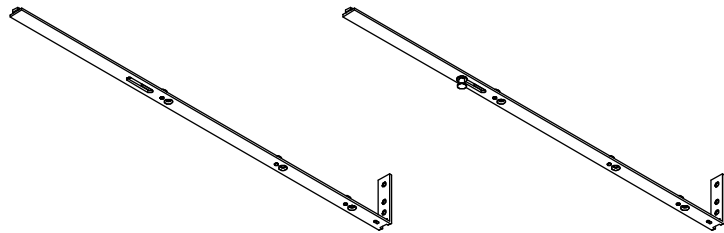


Push Out Lock System

French Casement Push Out

| Lock CN | Primary with Cam | Secondary without Cam |
|---------|---------------------|-----------------------|
| 260 | N/A (use SS part #) | 10817171 |
| 390 | N/A (use SS part #) | 10817172 |
| 520 | N/A (use SS part #) | 10817173 |
| 650 | N/A (use SS part #) | N/A (use SS part #) |
| 780 | N/A (use SS part #) | 10817175 |
| 910 | 10817156 | 10817176 |
| 1040 | 10817157 | 10817177 |
| 1170 | 10817158 | 10817178 |
| 1300 | 10817159 | 10817179 |
| 1430 | 10817160 | 10817180 |

| Lock CN | Stainless Steel PN Primary with Cam | Stainless Steel PN Secondary without Cam |
|---------|--|---|
| 260 | 10827151 | 10827171 |
| 390 | 10827152 | 10827172 |
| 520 | 10827153 | 10827173 |
| 650 | 10827154 | 10827174 |
| 780 | 10827155 | 10827175 |
| 910 | 10827156 | 10827176 |
| 1040 | 10827157 | 10827177 |
| 1170 | 10827158 | 10827178 |
| 1300 | 10827159 | 10827179 |
| 1430 | 10827160 | 10827180 |



Secondary Lock Bar
No Cam

Primary Lock Bar
Cam

Push Out Lock System

French Casement Push Out

| Standard Handle Location | | | | | |
|--------------------------|------------------------------------|---------------------------------------|---|--|---------------|
| Frame Height | Part Number Primary (Top with Cam) | Part Number Primary (Bottom with Cam) | Part Number Secondary (Top without Cam) | Part Number Secondary (Bottom without Cam) | Handle Height |
| 21.000" - 27 11/32" | N/A (use SS part #) | N/A (use SS part #) | 10817171 | 10817171 | Centered |
| 27 3/8" - 37 15/32" | N/A (use SS part #) | N/A (use SS part #) | 10817172 | 10817172 | Centered |
| > 37 15/32" - 47 27/32" | N/A (use SS part #) | N/A (use SS part #) | 10817173 | 10817173 | Centered |
| > 47 27/32" - 57 31/32" | N/A (use SS part #) | N/A (use SS part #) | N/A (use SS part #) | N/A (use SS part #) | Centered |
| > 57 31/32" - 64 9/32" | N/A (use SS part #) | N/A (use SS part #) | 10817175 | 10817175 | Centered |
| > 64 9/32" - 66 19/32" | N/A (use SS part #) | N/A (use SS part #) | 10817175 | 10817175 | 32 1/2" |
| > 66 19/32" - 71 3/4" | 10817156 | N/A (use SS part #) | 10817176 | 10817175 | 32 1/2" |
| > 71 3/4" - 72" | 10817157 | N/A (use SS part #) | 10817177 | 10817175 | 32 1/2" |

| Standard Handle Location | | | | | |
|--------------------------|---|--|--|---|---------------|
| Frame Height | Stainless Steel PN Primary (Top with Cam) | Stainless Steel PN Primary (Bottom with Cam) | Stainless Steel PN Secondary (Top without Cam) | Stainless Steel PN Secondary (Bottom without Cam) | Handle Height |
| 21.000" - 27 11/32" | 10827151 | 10827151 | 10827171 | 10827171 | Centered |
| 27 3/8" - 37 15/32" | 10827152 | 10827152 | 10827172 | 10827172 | Centered |
| > 37 15/32" - 47 27/32" | 10827153 | 10827153 | 10827173 | 10827173 | Centered |
| > 47 27/32" - 57 31/32" | 10827154 | 10827154 | 10827174 | 10827174 | Centered |
| > 57 31/32" - 64 9/32" | 10827155 | 10827155 | 10827175 | 10827175 | Centered |
| > 64 9/32" - 66 19/32" | 10827155 | 10827155 | 10827175 | 10827175 | 32 1/2" |
| > 66 19/32" - 71 3/4" | 10827156 | 10827155 | 10827176 | 10827175 | 32 1/2" |
| > 71 3/4" - 72" | 10827157 | 10827155 | 10827177 | 10827175 | 32 1/2" |

Push Out Lock System

French Casement Push Out

| Low Handle Location | | | | | |
|-------------------------|------------------------------------|---------------------------------------|---|--|---------------|
| Frame Height | Part Number Primary (Top with Cam) | Part Number Primary (Bottom with Cam) | Part Number Secondary (Top without Cam) | Part Number Secondary (Bottom without Cam) | Handle Height |
| 35 1/16" - 35 7/16" | N/A (use SS part #) | N/A (use SS part #) | 10817172 | N/A (use SS part #) | 16.72" |
| >35 7/16" - 40 21/32" | N/A (use SS part #) | N/A (use SS part #) | 10817173 | N/A (use SS part #) | 16.72" |
| > 40 21/32" - 45 11/16" | N/A (use SS part #) | N/A (use SS part #) | N/A (use SS part #) | N/A (use SS part #) | 16.72" |
| > 45 11/16" - 50 13/16" | N/A (use SS part #) | N/A (use SS part #) | 10817175 | N/A (use SS part #) | 16.72" |
| > 50 13/16" - 55 31/32" | 10817156 | N/A (use SS part #) | 10817176 | N/A (use SS part #) | 16.72" |
| > 55 31/32" - 61 1/32" | 10817157 | N/A (use SS part #) | 10817177 | N/A (use SS part #) | 16.72" |
| 61 1/32" - 66 5/32" | 10817158 | N/A (use SS part #) | 10817178 | N/A (use SS part #) | 16.72" |
| > 66 5/32" - 71 9/32" | 10817159 | N/A (use SS part #) | 10817179 | N/A (use SS part #) | 16.72" |
| > 71 9/32" - 72" | 10817160 | N/A (use SS part #) | 10817180 | N/A (use SS part #) | 16.72" |

| Low Handle Location | | | | | |
|-------------------------|---|--|--|---|---------------|
| Frame Height | Stainless Steel PN Primary (Top with Cam) | Stainless Steel PN Primary (Bottom with Cam) | Stainless Steel PN Secondary (Top without Cam) | Stainless Steel PN Secondary (Bottom without Cam) | Handle Height |
| 35 1/16" - 35 7/16" | 10827152 | 10827152 | 10827172 | 10827172 | 16.72" |
| >35 7/16" - 40 21/32" | 10827153 | 10827152 | 10827173 | 10827172 | 16.72" |
| > 40 21/32" - 45 11/16" | 10827154 | 10827152 | 10827174 | 10827172 | 16.72" |
| > 45 11/16" - 50 13/16" | 10827155 | 10827152 | 10827175 | 10827172 | 16.72" |
| > 50 13/16" - 55 31/32" | 10827156 | 10827152 | 10827176 | 10827172 | 16.72" |
| > 55 31/32" - 61 1/32" | 10827157 | 10827152 | 10827177 | 10827172 | 16.72" |
| 61 1/32" - 66 5/32" | 10827158 | 10827152 | 10827178 | 10827172 | 16.72" |
| > 66 5/32" - 71 9/32" | 10827159 | 10827152 | 10827179 | 10827172 | 16.72" |
| > 71 9/32" - 72" | 10827160 | 10827152 | 10827180 | 10827172 | 16.72" |

French Lock Box and Cover

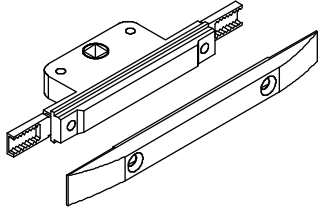
French Casement Push Out

Ultimate French Casement Narrow Frame Push Out

Includes:

2 – #8 x 1" screws (11800563)

| Color | PN |
|---------|----------|
| Coastal | 10827199 |



French Casement Lock Bar (Linkage)

French Casement

| Standard Heights | | |
|------------------|-----------------------|----------|
| CN | Frame Height (Inches) | PN |
| CN 32 | 31 1/8" | 10816434 |
| CN 36 | 35 1/8" | 10816435 |
| CN 40 | 39 1/8" | 10816436 |
| CN 48 | 47 1/8" | 10816437 |
| CN 56 | 55 1/8" | 10816438 |
| CN 60 | 59 1/8" | 10816439 |
| CN 64 | 63 1/8" | 10816440 |
| CN 72 | 71 1/8" | 10816441 |

| Special Heights | |
|-----------------------------|----------|
| Frame Range Height (Inches) | PN |
| 21" – 26 13/16" | 10816442 |
| > 26 13/16" – 31 1/8" | 10816434 |
| > 31 1/8" – 35 1/8" | 10816435 |
| > 35 1/8" – 39 1/8" | 10816436 |
| > 39 1/8" – 42 3/8" | 10816443 |
| > 42 3/8" – 47 1/8" | 10816437 |
| > 47 1/8" – 49 7/16" | 10816444 |
| > 49 7/16" – 55 1/8" | 10816438 |
| > 55 1/8" – 59 1/8" | 10816439 |
| > 59 1/8" – 63 1/8" | 10816440 |
| > 63 1/8" – 71 1/8" | 10816441 |

When ordering a tie bar, specify:

1. Type of unit;
2. frame size;
3. part number;
4. description.

NOTE: When ordering a tie bar for the Ultimate Awning Narrow Frame, measure the window frame size and order the part number referenced.

| Awning and Awning Narrow Frame | | | |
|------------------------------------|-----------------|---------------|----------------|
| Operator Jamb Tie Bar Part Numbers | | | |
| Frame Height | Frame Width | PN | Tie Bar Length |
| 11 1/2" - 17 1/8" | ALL | 10816314 (LH) | 7 1/2" |
| | | 10816315 (RH) | 7 1/2" |
| 17 5/32" - 39 1/8" | 16" - 72" | 10816316 | 10" |
| 39 5/32" - 42 1/8" | 16" - 56" | 10816316 | 10" |
| | 56 1/32" - 72" | 10816317 | 23 1/2" |
| 42 5/32" - 47 1/8" | 16" - 39 31/32" | 10816316 | 10" |
| | 40" - 72" | 10816328 | 26 1/2" |
| 47 5/32" - 53 1/8" | 16" - 35 31/32" | 10816316 | 10" |
| | 36" - 72" | 10816318 | 29 1/2" |
| 53 5/32" - 59 1/8" | 16" - 31 31/32" | 10816316 | 10" |
| | 32" - 72" | 10816329 | 32 1/2" |
| 59 5/32" - 65 1/8" | 16" - 27 31/32" | 10816316 | 10" |
| | 28" - 72" | 10816319 | 35 1/2" |
| 65 5/32" - 71 1/8" | 16" - 23 31/32" | 10816316 | 10" |
| | 24" - 72" | 10816330 | 38 1/2" |
| 71 5/32" - 81 1/8" | 16" - 64" | 10816330 | 38 1/2" |
| 81 5/32" - 89 1/8" | 16" - 48" | 10816324 | 59 1/2" |
| 89 5/32" - 96" | 16" - 48" | 10816325 | 65 1/2" |

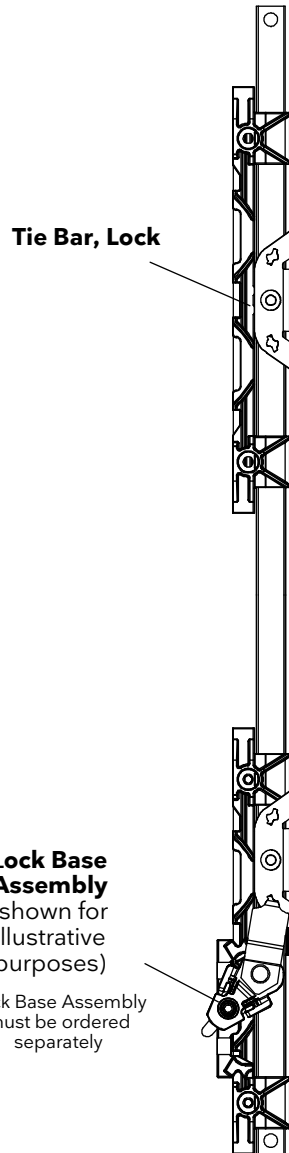
| Awning and Awning Narrow Frame | | | | |
|------------------------------------|----------------------|----------------------|----------|----------------|
| Operator Sill Tie Bar Part Numbers | | | | |
| Frame Height | Frame Width | Sill Lock (Exterior) | | Tie Bar Length |
| | | RH PN | LH PN | |
| 11 1/2" - 17 1/8" | ALL | N/A | N/A | N/A |
| 17 5/32" - 96" | 16" - 36" | N/A | N/A | N/A |
| | 36 1/32" - 38 31/32" | N/A | 10816331 | 10" |
| | 39" - 42 31/32" | N/A | 10816333 | 12" |
| | 43" - 46 31/32" | N/A | 10816334 | 14" |
| | 47" - 56" | N/A | 10816335 | 16" |
| | 56 1/32" - 59 31/32" | 10816332 | 10816331 | 10" |
| | 60" - 63 31/32" | 10816336 | 10816333 | 12" |
| | 64" - 67 31/32" | 10816337 | 10816334 | 14" |
| | 68" - 96" | 10816338 | 10816335 | 16" |

When ordering a tie bar, specify:

1. Type of unit;
2. frame size;
3. part number;
4. description.

NOTE: When ordering a tie bar for the Ultimate Casement Narrow Frame measure the window frame size and order the part number referenced.

| Casement and Casement Narrow Frame Tie Bar Assembly Part Numbers | | | |
|--|-----------------------|---------------|----------------|
| Frame Height | Number of Lock Points | PN | Tie Bar Length |
| 11 1/2" - 17 1/8" | 1 | 10816314 (LH) | 7 1/2" |
| | 1 | 10816315 (RH) | 7 1/2" |
| 17 5/32" - 31 3/32" | 1 | 10816316 | 10" |
| 31 1/8" - 37 1/8" | 2 | 10816317 | 23 1/2" |
| 37 5/32" - 43 1/8" | 2 | 10816318 | 29 1/2" |
| 43 5/32" - 49 1/8" | 2 | 10816319 | 35 1/2" |
| 49 5/32" - 55 1/8" | 2 | 10816320 | 41 1/2" |
| 55 5/32" - 61 1/8" | 3 | 10816339 | 47 1/2" |
| 61 5/32" - 67 1/8" | 3 | 10816340 | 53 1/2" |
| 67 5/32" - 77 1/8" | 3 | 10816324 | 59 1/2" |
| 77 5/32" - 83 1/8" | 3 | 10816325 | 65 1/2" |
| 83 5/32" - 89 1/8" | 3 | 10816326 | 71 1/2" |
| 89 5/32" - 102" | 3 | 10816327 | 79 1/2" |



| Casement IZ3 Tie Bar Assembly Part Numbers | | | |
|--|-----------------------|---------------|----------------|
| Frame Height | Number of Lock Points | PN | Tie Bar Length |
| 11 1/2" - 17 1/8" | 1 | 10816314 (LH) | 7 1/2" |
| | 1 | 10816315 (RH) | 7 1/2" |
| 17 5/32" - 25 1/8" | 1 | 10816316 | 10" |
| 25 5/32" - 28 1/8" | 2 | 10816377 | 18" |
| 28 1/8" - 31 1/8" | 2 | 10816368 | 20 1/2" |
| 31 5/32" - 37 1/8" | 2 | 10816317 | 23 1/2" |
| 37 5/32" - 43 1/8" | 2 | 10816318 | 29 1/2" |
| 43 5/32" - 46 1/8" | 2 | 10816319 | 35 1/2" * |
| 46 5/32" - 49 1/8" | 2 | 10816330 | 38 1/2" * |
| 49 5/32" - 55 1/8" | 3 | 10816378 | 42" |
| 55 5/32" - 61 1/8" | 3 | 10816339 | 47 1/2" |
| 61 5/32" - 64 1/8" | 3 | 10816340 | 53 1/2" |
| 64 5/32" - 68 1/8" | 3 | 10816355 | 56 1/2" |
| 68 5/32" - 77 1/8" | 4 | 10816379 | 61" |
| 77 5/32" - 85 1/8" | 4 | 10816380 | 70" |
| 85 5/32" - 91 1/8" | 4 | 10816381 | 77 1/2" |
| 91 5/32" - 96 1/8" | 5 | 10816382 | 84" |
| * Tie Bar support is used | | | |

When ordering a tie bar, specify:

1. Type of unit;
2. part number;
3. description.

| Casement Round Top/Casement Narrow Frame Round Top Tie Bar Assembly Part Numbers | | | |
|---|--|-----------|-----------------------|
| Ultimate Spring Line Range on Locking Side | Number of Lock Points (doesn't include radius lock point) | PN | Tie Bar Length |
| 26.125" - 29.124" | 2 | 10816368 | 20.500" |
| 29.125" - 32.124" | 2 | 10816317 | 23.500" |
| 32.125" - 35.124" | 2 | 10816328 | 26.500" |
| 35.125" - 38.124" | 2 | 10816318 | 29.500" |
| 38.125" - 41.124" | 2 | 10816329 | 32.500" |
| 41.125" - 44.124" | 2 | 10816319 | 35.000"*** |
| 44.125" - 47.124" | 2 | 10816330 | 38.500"*** |
| 47.125" - 50.124" | 2 | 10816320 | 41.500"*** |
| 50.125" - 53.124" | 2 | 10816353 | 44.500"*** |
| 53.125" - 56.124" | 3 | 10816339 | 47.500" |
| 56.125" - 59.124" | 3 | 10816354 | 50.500" |
| 59.125" - 62.124" | 3 | 10816340 | 53.500" |
| 62.125" - 65.124" | 3 | 10816355 | 56.500" |
| 65.125" - 68.124" | 3 | 10816324 | 59.500" |
| 68.125" - 71.124" | 3 | 10816356 | 62.500" |
| 71.125" - 74.124" | 3 | 10816325 | 65.500" |
| 74.125" - 77.124" | 3 | 10816357 | 68.500" |
| 77.125" - 80.124" | 3 | 10816326 | 71.500" |
| 80.125" - 83.124" | 3 | 10816358 | 74.500" |
| 83.125" - 86.124" | 3 | 10816359 | 77.500" |
| 86.125" - 96.125" | 3 | 10816327 | 79.500" |
| **Center support component is used for 35.500" - 44.500" two point tie bars. | | | |
| Center support is positioned approximately at center of tie bar between cams on jamb. | | | |

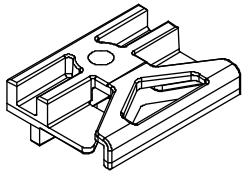
| Casement Round Top/Casement Narrow Frame Round Top Radius Tie Bar Assemblies for RT2, RT30 and RT37, Location of Lock Point is at 1/3 Arc | | | | |
|--|----------------------------------|-----------|-----------------------|-----------------------|
| Radius Range | Spring Line to Lock Point | PN | Tie Bar Length | Tie Bar Radius |
| *10.75" - 13.99" | 12" | 10816360 | 15.500" | 12" |
| 14" - 17.999" | 16" | 10816361 | 19.500" | 16" |
| 18" - 20" | 20" | 10816362 | 24.500" | 20" |
| Casement Round Top/Casement Narrow Frame Round Top Radius Tie Bar Assemblies for RT9, RT10, RT33, RT34, RT40, and RT41, Location of Lock Point is at 1/2 Arc. | | | | |
| Radius Range | Spring Line to Lock Point | PN | Tie Bar Length | Tie Bar Radius |
| *18" - 21.999" | 15" | 10816363 | 19.500" | 20" |
| *22" - 25.999" | 18" | 10816364 | 22.500" | 24" |
| 26" - 29.999" | 21" | 10816365 | 25.500" | 28" |
| 30" - 33.999" | 24" | 10816366 | 28.500" | 32" |
| 34" - 40" | 28" | 10816367 | 32.500" | 37" |
| *Needed for CW certification only | | | | |

Tie Bar Support

- Casement Operator Round Top*
- Casement Narrow Frame Round Top*
- Casement Operator Polygon*
- Casement Narrow Frame Operator Polygon*

| Color | PN |
|-------|----------|
| Black | 10815284 |

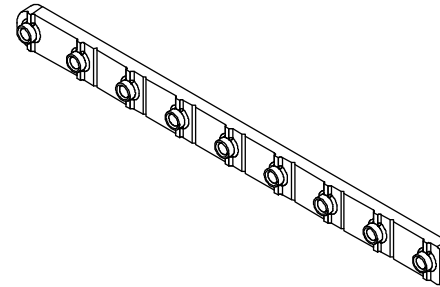
| Suggested Fastener | | |
|--------------------|----------------------------|----------|
| 1 | #8 x 1 1/4" pan head screw | 11800557 |



Tie Bar Connector

- Casement Operator Round Top*
- Casement Narrow Frame Round Top*
- Casement Operator Polygon*
- Casement Narrow Frame Operator Polygon*

| Color | PN |
|-------|----------|
| Zinc | 10815285 |



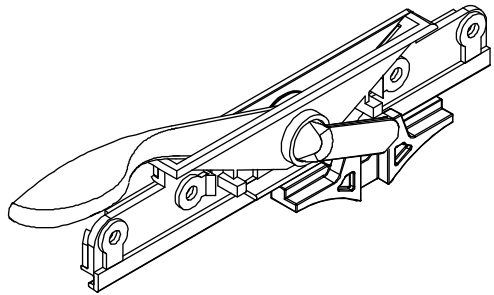
Handle Assembly

Venting Picture

Includes:

- 1 - Handle assembly
- 2 - #8 x 1" Phillips pan head self-tapping screws (11808100)

| Color | LH PN | RH PN |
|-------------------|----------|----------|
| White | 10898209 | 10898200 |
| Bronze | 10898210 | 10898201 |
| Satin Taupe | 10898211 | 10898202 |
| Brass | 10898212 | 10898204 |
| Antique Brass | 10898214 | 10898206 |
| Satin Chrome | 10898213 | 10898205 |
| Satin Nickel | 10898216 | 10898208 |
| Oil Rubbed Bronze | 10898215 | 10898207 |
| Polished Chrome | 10898217 | 10898218 |



RH Shown

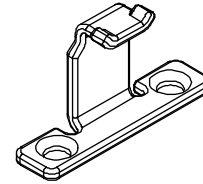
Keeper Kit

Venting Picture

Includes:

- 2 - Keepers (10814816)
- 4 - #8-18 x 1 1/4" Phillips flat head self-tapping screws (11808118)

| PN |
|----------|
| 11860701 |



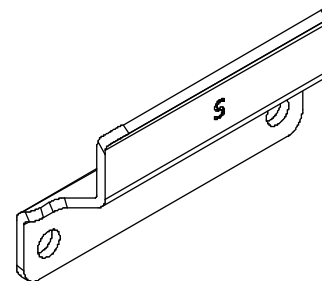
Secondary Lock Clip

Venting Picture

Includes:

- 1-Secondary lock clip
- 2 - #8-18 x 1 1/2" Phillips truss head self-tapping screws (11808150)

| PN |
|--------|
| 105551 |



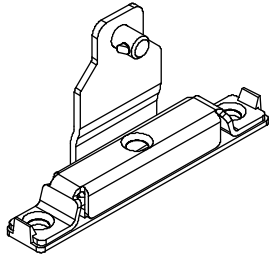
Sash Bracket

Venting Picture

Includes:

- 1 - Sash bracket
- 3 - #8 x 1 1/4" Phillips flat head, Type AB stainless steel screws (11808118)

| PN |
|----------|
| 10810013 |



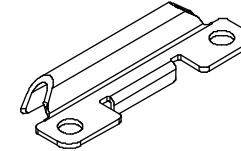
Frame Bracket

Venting Picture

Includes:

- 1-Frame bracket
- 2-#8 x 1" full thread screws (11808100)

| PN |
|----------|
| 10810014 |



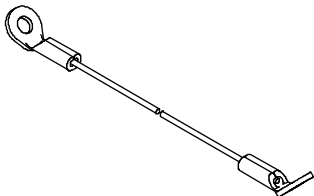
Structural Cable

Venting Picture

Includes:

- 1 - Structural cable
- 2 - #8 x 1" full thread screws (11808100)

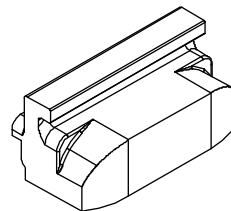
| PN |
|----------|
| 10810015 |



Cam

Venting Picture

| PN |
|----------|
| 10811002 |



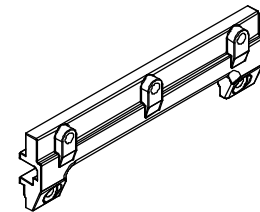
Cam Retainer

Venting Picture

Includes:

- 1-Retainer
- 2 - #8 x 1" Phillips full thread screws (11808100)

| PN |
|----------|
| 10811003 |



Hardware Assembly

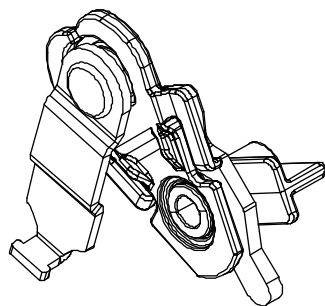
Venting Picture

Includes:

- 1 - Hardware assembly
- 2 - #8-18 x 1 1/2" Phillips truss head self-tapping screws (11808150)
- 2 - #8-18 x 1 1/2" Phillips truss head self-tapping screws with shims washers (11808151)
- 6 - #7HD-#8-18 x 1" Phillips flat head self-tapping screws (11800771)

| CN | LH PN | RH PN | Pairs |
|-------|----------|----------|----------|
| CN 36 | 10810508 | 10810501 | 11851136 |
| CN 40 | 10810509 | 10810502 | 11851140 |
| CN 48 | 10810510 | 10810503 | 11851148 |
| CN 56 | 10810511 | 10810504 | 11851156 |
| CN 60 | 10810512 | 10810505 | 11851160 |
| CN 64 | 10810513 | 10810506 | 11851164 |
| CN 72 | 10810524 | 10810523 | 11851272 |
| CN 78 | 10810519 | 10810515 | 11851178 |
| CN84 | 10810520 | 10810516 | 11851184 |
| CN 92 | 10810521 | 10810517 | 11851192 |
| CN 96 | 10810522 | 10810518 | 11851196 |





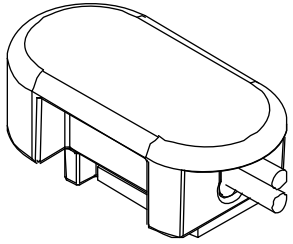
Lock Base Assembly

For units manufactured before 10/04/2008

Replace with current

Reed Capsule

| Color | PN |
|-------|----------|
| Black | 10501846 |

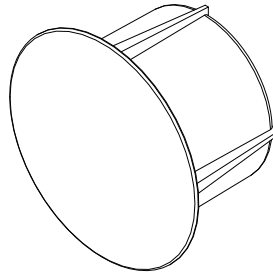


Magnet Housing Assembly

Includes:

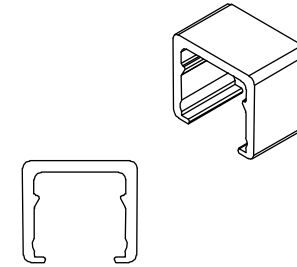
- 1 - Magnet, 1/4" x 5/8" N52
- 1 - Magnet housing

| Color | PN |
|-------|----------|
| Black | 10501836 |
| White | 10501837 |



Lock Status Sensor Clip

| PN |
|----------|
| 10500890 |

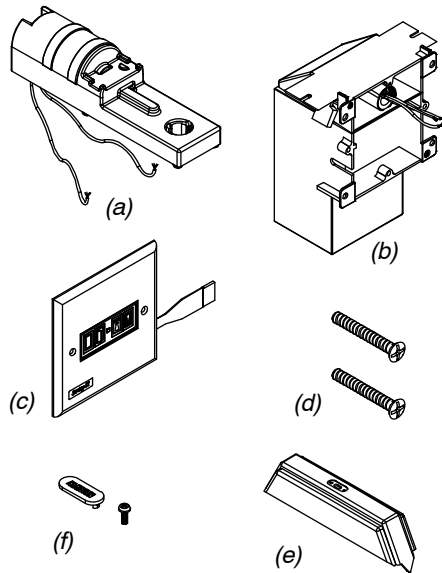


Sentry II Operator Kit, Complete

Includes:

- 1 – Operator motor (a)
- 1 – Control box (b) (05570558)
- 1 – Cover plate (c) (05570559)
- 1 – Cover plate screws (d)
- 1 – Decorative cover (e)
- 1 – Decorative button (f)
- 1 – Hardware package (PN 05570557, contents shown to the right)

| Color | PN |
|-------------|----------|
| Satin Taupe | 05570536 |
| Bronze | 05570538 |
| White | 05570537 |



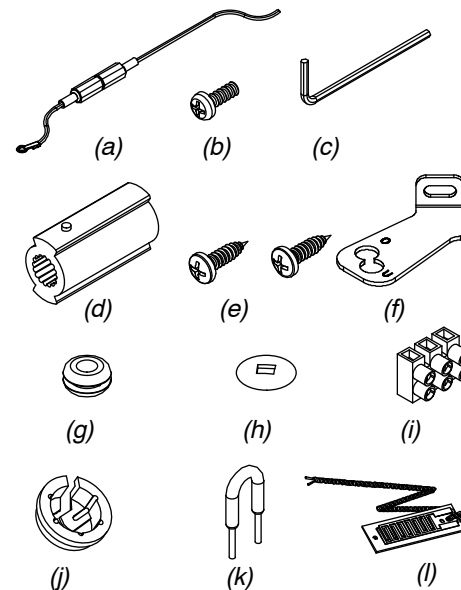
Hardware Package

For Sentry II Operator

Includes:

- 1 – Screen interlock (a)
- 2 – Screen interlock mounting screws (b)
- 1 – Hex wrench (c)
- 1 – Spline adaptor (d)
- 2 – #8 x 5/8 pan head bracket screws (e)
- 1 – Bracket (f)
- 1 – Isolation grommet (g)
- 1 – Push on fastener (h)
- 1 – Connector (i)
- 1 – Strain relief (j)
- 1 – Wire piece (k)
- 1 – Rain sensor (l)

| PN |
|----------|
| 05570557 |



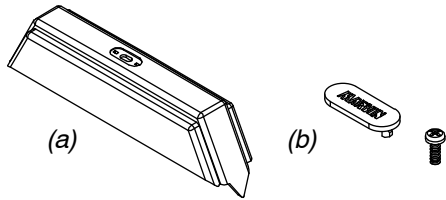
Decorative Cover Kit

For Sentry II Operator

Includes:

- 1 - Motor cover (a)
- 1 - Decorative button with screw (b)

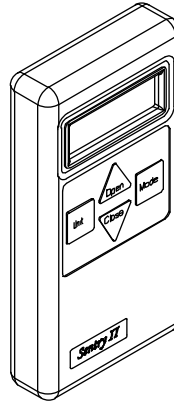
| Color | PN |
|-------------|----------|
| Satin Taupe | 05570554 |
| Bronze | 05570556 |
| White | 05570555 |



Remote Control

For Sentry II Operator

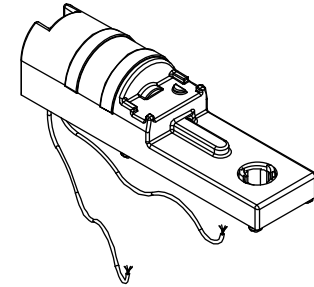
| PN |
|----------|
| 05570541 |



Replacement Operator Motor

For Sentry II Operator

| PN |
|----------|
| 05570543 |

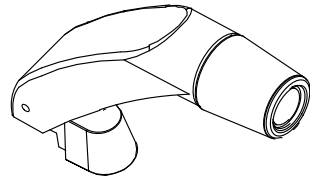


Folding Handle

Includes:

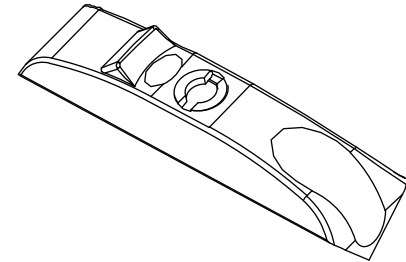
- 1 - Handle with set screw

| Color | PN |
|-------------------|----------|
| Satin Taupe | 10898282 |
| Bronze | 10898302 |
| White | 10898292 |
| Brass | 10898312 |
| Antique Brass | 10898322 |
| Satin Chrome | 10898342 |
| Satin Nickel | 10898362 |
| Oil Rubbed Bronze | 10898352 |



Folding Handle Cover

| Color | PN |
|-------------------|----------|
| Satin Taupe | 10898281 |
| Bronze | 10898301 |
| White | 10898291 |
| Brass | 10898311 |
| Antique Brass | 10898321 |
| Satin Chrome | 10898341 |
| Satin Nickel | 10898361 |
| Oil Rubbed Bronze | 10898351 |



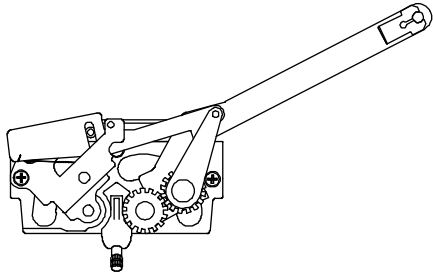
Roto-gear Operator, Op-O-Lock

For 6" (152) guide bar

Includes:

- 1 - Roto-gear
- 5 - #8 x 1" Phillips flat head wood screws (11800740)

| Description | PN |
|----------------------------|----------|
| CN 28 to under CN 36 width | 10811423 |



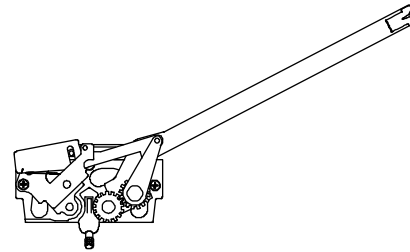
Roto-gear Operator, Op-O-Lock

For 10" (254) guide bar

Includes:

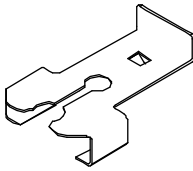
- 1 - Roto-gear
- 5 - #8 x 1" Phillips flat head wood screws (11800740)

| Description | PN |
|----------------------|----------|
| CN 36 width and over | 10811422 |



Detach Clip, Awning Roto-Gear

| Color | PN |
|-------------|----------|
| Mill Finish | 10814838 |

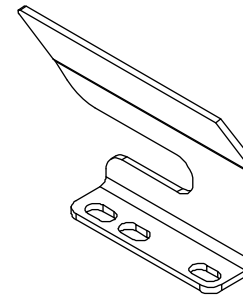


Keeper, Op-O-Lock

Includes:

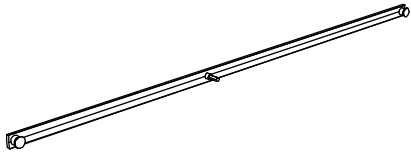
- 1 - Keeper
- 3 - #8 x 1" Phillips flat head wood screws (11808101)

| PN |
|----------|
| 10817204 |



Tie Bar, Op-O-Lock

| Description | Length | PN |
|----------------------------|----------------|----------|
| CN 28 to under CN 36 width | 22 3/8" (568) | 10816121 |
| CN 36 to under CN 48 width | 30 3/8" (772) | 10816132 |
| CN 48 width and over | 42 3/8" (1076) | 10816141 |

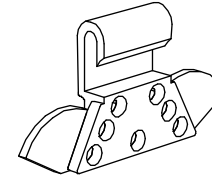


Tie Bar Guide, Op-O-Lock

Includes:

- 1 - Tie bar guide
- 3 - #8 x 1" Phillips flat head wood screws (11800740)

| PN |
|----------|
| 10811406 |

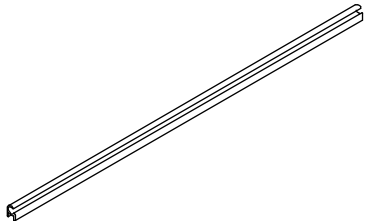


Guide Bar, Op-O-Lock

Includes:

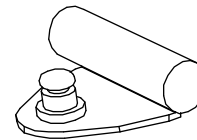
- 1 - Guide bar
- 2 - #7HD - #8-18 x 1" Phillips flat head wood screw (11800773)

| Description | Length | PN |
|----------------------------|---------------|----------|
| CN 28 to under CN 36 width | 6 3/4" (171) | 11101206 |
| CN 36 width and over | 10 1/4" (260) | 11101210 |



Guide Bar Shoe

| Color | PN |
|-------------|----------|
| Mill Finish | 10811430 |



WOCD Field Applied, Complete for Sash and Frame

Ultimate Casement

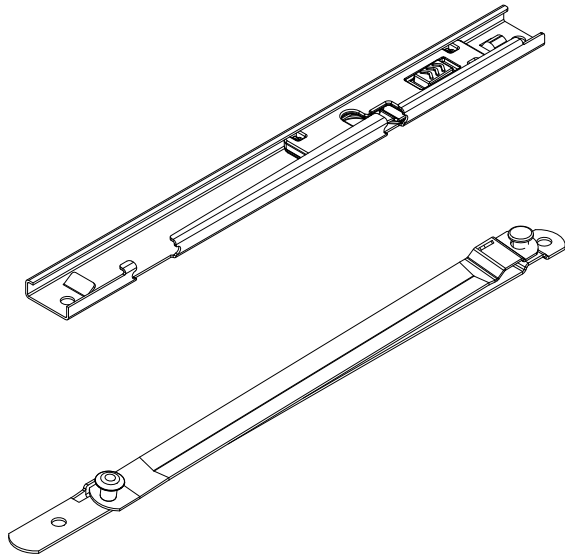
Includes:

- 1 - Sash arm, non-self locating (Type A shown)
- 1 - Frame track, self locating (Type A shown)
- 5 - #8 x 1/2" Phillips pan head stainless steel screws
- 1 - Template, Ultimate Full Frame Crankout Casement
- 1 - WOCD field applied installation instructions
- 1 - Casement WOCD safety information

Usage dates:

08/29/2022 to present

| Kit | Handing | Finish | PN |
|-----|---------|-----------|----------|
| A | LH | Stainless | 11852532 |
| B | RH | Steel | 11852533 |



WOCD Field Applied, Complete for Sash and Frame

Ultimate Casement Narrow Frame

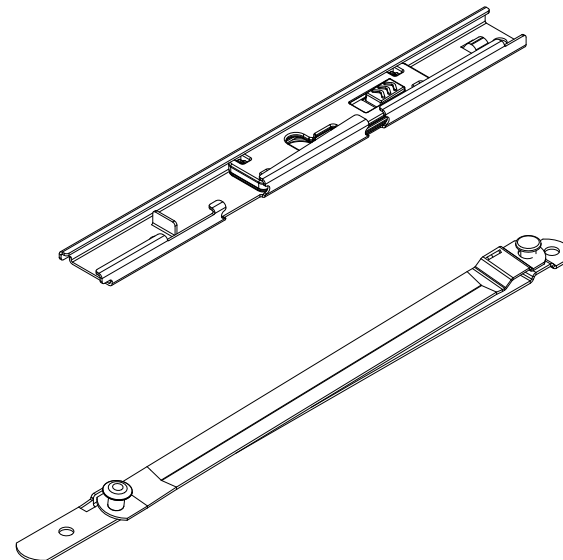
Includes:

- 1 - Sash arm, non-self locating (Type A shown)
- 1 - Frame track, narrow profile (Type A shown)
- 5 - #8 x 1/2" Phillips pan head stainless steel screws
- 1 - Template, Ultimate Narrow Frame Casement
- 1 - WOCD field applied installation instructions
- 1 - Casement WOCD safety information

Usage dates:

08/29/2022 to present

| Kit | Handing | Finish | PN |
|-----|---------|-----------|----------|
| A | LH | Stainless | 11852534 |
| B | RH | Steel | 11852535 |



NOTE: For windows without factory-applied WOCD, refer to Product Bulletin 841 for more information.

WOCD Field Applied, Frame

Ultimate Casement

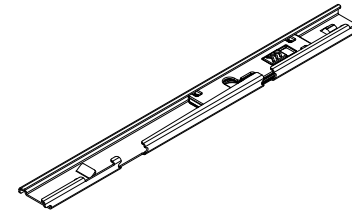
Includes:

- 1 - Frame Track, self locating (Type A shown)
- 2 - #8 x 1/2" Phillips pan head stainless steel screws
- 1 - Template, Ultimate Full Frame Crankout Casement
- 1 - WOCD field applied installation instructions
- 1 - Casement WOCD safety information

Usage dates:

08/29/2022 to present

| Kit | Handing | Finish | PN |
|-----|---------|-----------------|----------|
| A | LH | Stainless Steel | 11852546 |
| B | RH | | 11852547 |



WOCD Field Applied, Frame

Ultimate Casement Narrow Frame

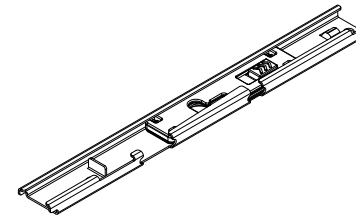
Includes:

- 1 - Frame Track, narrow profile (Type A shown)
- 2 - #8 x 1/2" Phillips pan head stainless steel screws
- 1 - Template, Ultimate Narrow Frame Casement
- 1 - WOCD field applied installation instructions
- 1 - Casement WOCD safety information

Usage dates:

08/29/2022 to present

| Kit | Handing | Finish | PN |
|-----|---------|-----------------|----------|
| A | LH | Stainless Steel | 11852550 |
| B | RH | | 11852551 |



WOCD Field Applied, Sash

Ultimate Casement

Ultimate Casement Narrow Frame

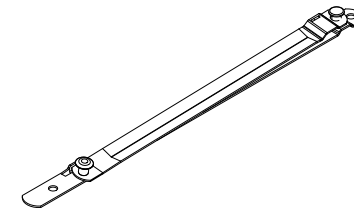
Includes:

- 1 - Sash arm, non-self locating (Type A shown)
- 3 - #8 x 1/2" Phillips pan head stainless steel screws
- 1 - Template, Ultimate Full Frame Crankout Casement
- 1 - WOCD field applied installation instructions
- 1 - Casement WOCD safety information

Usage dates:

08/29/2022 to present

| Kit | Handing | Finish | PN |
|-----|---------|-----------------|----------|
| A | LH | Stainless Steel | 11852544 |
| B | RH | | 11852545 |



NOTE: For windows without factory-applied WOCD, refer to Product Bulletin 841 for more information.

WOCD Field Applied, Complete for Sash and Frame

Ultimate Casement Push Out

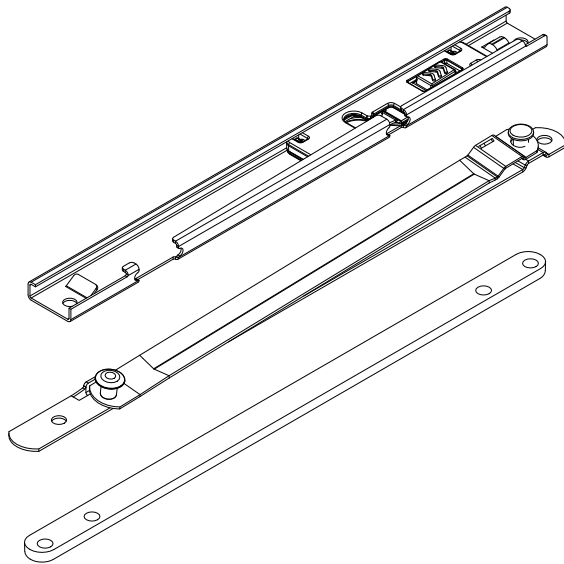
Includes:

- 1 - Sash arm, non-self locating (Type A shown)
- 1 - Frame track, non self locating (Type A shown)
- 1 - Non-self locating shim
- 5 - #8 x 1/2" Phillips pan head stainless steel screws
- 1 - Template, Ultimate Full Frame Push Out Casement
- 1 - WOCD field applied installation instructions
- 1 - Casement WOCD safety information

Usage dates:

08/29/2022 to present

| Kit | Handing | Finish | PN |
|-----|---------|-----------------|----------|
| A | LH | Stainless Steel | 11852536 |
| B | RH | | 11852537 |



WOCD Field Applied, Complete for Sash and Frame

Ultimate Casement Narrow Frame Push Out

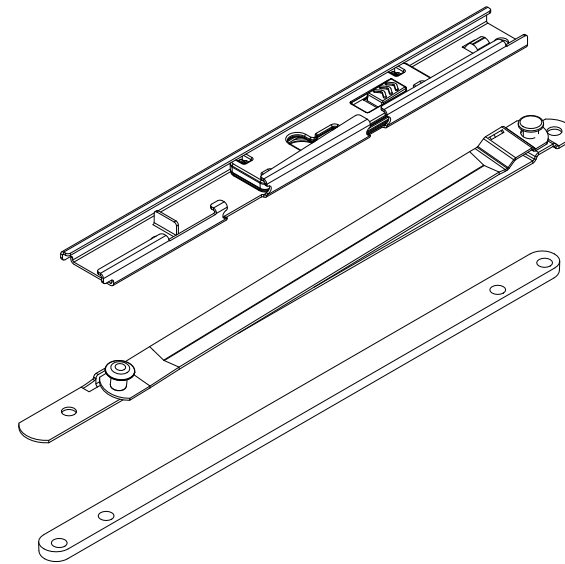
Includes:

- 1 - Sash arm, non-self locating (Type A shown)
- 1 - Frame Track, narrow profile (Type A shown)
- 1 - Non-self locating shim
- 5 - #8 x 1/2" Phillips pan head stainless steel screws
- 1 - Template, Ultimate Narrow Frame Push Out Casement
- 1 - WOCD field applied installation instructions
- 1 - Casement WOCD safety information

Usage dates:

08/29/2022 to present

| Kit | Handing | Finish | PN |
|-----|---------|-----------------|----------|
| A | LH | Stainless Steel | 11852538 |
| B | RH | | 11852539 |



NOTE: For windows without factory-applied WOCD, refer to Product Bulletin 841 for more information.

WOCD Field Applied, Sash

Ultimate Casement Push Out

Ultimate Casement Narrow Frame Push Out

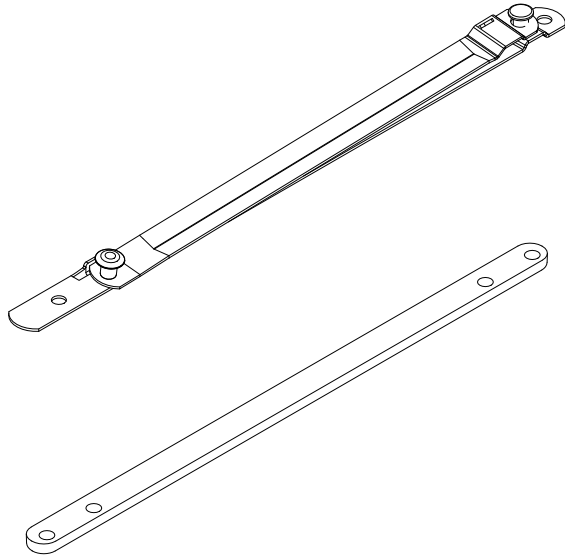
Includes:

- 1 - Sash arm, non-self locating (Type A shown)
- 1 - Non-self locating shim
- 3 - #8 x 1/2" Phillips pan head stainless steel screws
- 1 - Template, Ultimate Full Frame Push Out Casement
- 1 - WOCD field applied installation instructions
- 1 - Casement WOCD safety information

Usage dates:

08/29/2022 to present

| Kit | Handing | Finish | PN |
|-----|---------|-----------------|----------|
| A | LH | Stainless Steel | 11852554 |
| B | RH | | 11852555 |



WOCD Field Applied, Frame

Ultimate Casement Push Out

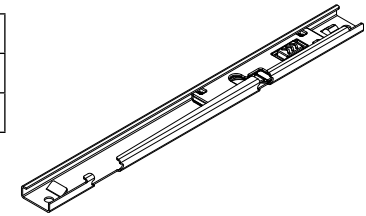
Includes:

- 1 - Frame track, non-self locating (Type A shown)
- 2 - #8 x 1/2" Phillips pan head stainless steel screws
- 1 - Template, Ultimate Full Frame Push Out Casement
- 1 - WOCD field applied installation instructions
- 1 - Casement WOCD safety information

Usage dates:

08/29/2022 to present

| Kit | Handing | Finish | PN |
|-----|---------|-----------------|----------|
| A | LH | Stainless Steel | 11852548 |
| B | RH | | 11852549 |



WOCD Field Applied, Frame

Ultimate Casement Narrow Frame Push Out

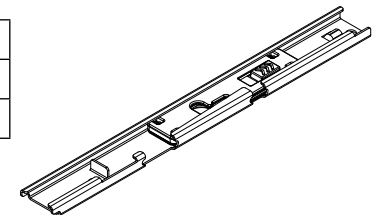
Includes:

- 1 - Frame Track, narrow profile (Type A shown)
- 2 - #8 x 1/2" Phillips pan head stainless steel screws
- 1 - Template, Ultimate Narrow Frame Push Out Casement
- 1 - WOCD field applied installation instructions
- 1 - Casement WOCD safety information

Usage dates:

08/29/2022 to present

| Kit | Handing | Finish | PN |
|-----|---------|-----------------|----------|
| A | LH | Stainless Steel | 11852552 |
| B | RH | | 11852553 |



NOTE: For windows without factory-applied WOCD, refer to Product Bulletin 841 for more information.

WOCD Field Applied and Replacement Kit, Frame

Ultimate Casement

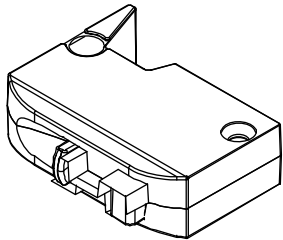
Includes:

- 1 – WOCD, locking assembly
- 2 – #8 x 1 1/2" Type AB, 2/3 thread screw
- 1 – UCA WOCD safety information
- 1 – UCA WOCD field applied instructions
- 1 – WOCD hang tag

Usage dates:

4/27/2020 to 8/29/2022

| Color | PN |
|-------------------|----------|
| Satin Taupe | 11850970 |
| Stone White | 11850971 |
| Brass | 11850972 |
| Antique Brass | 11850973 |
| Satin Nickel | 11850974 |
| Polished Chrome | 11850975 |
| Satin Chrome | 11850976 |
| Oil Rubbed Bronze | 11850977 |
| Bronze | 11850978 |
| Matte Black | 11850979 |



WOCD Field Applied and Replacement Kit, Sash

Ultimate Casement

Includes:

- 1 – WOCD tether assembly
- 2 – #8–15 x 1" , Type A–17, full thread screw
- 1 – WOCD safety information
- 1 – WOCD field applied instructions
- 1 – WOCD hang tag

Usage dates:

4/27/2020 to 8/29/2022

| Color | PN |
|-------|----------|
| Beige | 11850980 |



NOTE: For windows without factory-applied WOCD, refer to Product Bulletin 758 for more information.

WOCD Field Applied and Replacement Kit, Complete

Ultimate Casement

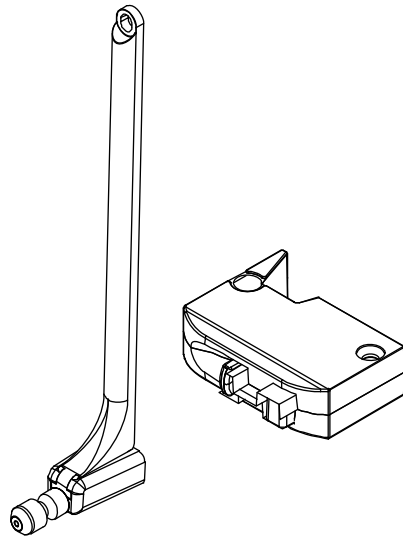
Includes:

- 1 – WOCD tether assembly
- 2 – #8–15 x 1” , Type A–17, full thread screw
- 1 – WOCD, locking assembly
- 2 – #8 x 1 1/2” Type AB, 2/3 thread screw
- 1 – WOCD safety information
- 1 – WOCD field applied instructions
- 1 – WOCD hang tag
- 1 – WOCD sticker

Usage dates:

4/27/2020 to 8/29/2022

| Color | PN |
|-------------------|----------|
| Satin Taupe | 11850711 |
| Stone White | 11850712 |
| Brass | 11850713 |
| Antique Brass | 11850714 |
| Satin Nickel | 11850715 |
| Polished Chrome | 11850716 |
| Satin Chrome | 11850717 |
| Oil Rubbed Bronze | 11850718 |
| Bronze | 11850719 |
| Matte Black | 11850720 |



NOTE: For windows without factory-applied WOCD, refer to Product Bulletin 758 for more information.

Snubber Replacement Kit

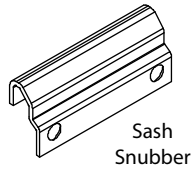
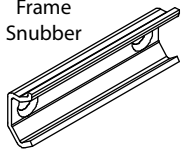
All Casement products (excluding IZ3 and Awning Push Out products)

Includes:

- 4 - Frame snubbers (11861161)
- 8 - #7-19 x 5/8" screws (11800736)
- 4 - Sash snubbers (11861160)
- 8 - #8-15 x 1" screws (11800551)

| PN |
|----------|
| 11862419 |

Frame Snubber



Sash Snubber

Snubber Replacement Kit

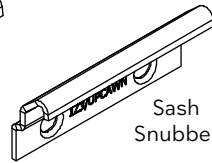
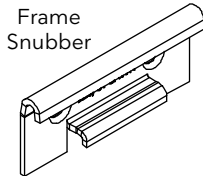
IZ3 and Awning Push Out products

Includes:

- 1 - Frame snubber (11861175)
- 2 - #7-19 x 5/8" screw (11800736)
- 1 - Sash snubber (11861174)
- 2 - #8-15 x 1" screw (11800551)

| PN |
|----------|
| 11862420 |

Frame Snubber



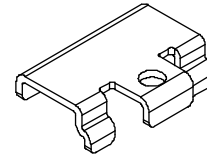
Sash Snubber

Impact Tie Bar Hold Down

IZ3/IZ4

| PN |
|----------|
| 10816392 |

| Suggested Fastener | PN |
|-------------------------------|----------|
| 1 - #8 x1 1/4" pan head screw | 11800557 |



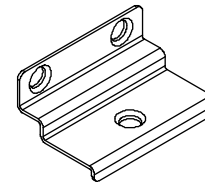
Stationary Bracket

Includes:

- 1 - Bracket
- 3 - #8 - 18 x 1" Steel Zinc E-Gard (11800552)

NOTE: Used on all stationary units

| PN |
|----------|
| 11860340 |



Sash Strike Kit

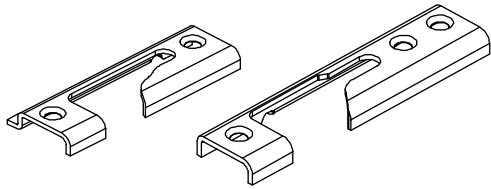
French Casement

Includes:

- 2 – Header, Sill Astragal Strike (10817210)
- 1 – Header, Astragal Strike (10817211)
- 7 – #8 x 1 1/4" Phillips flat head SST screws (11808118)

NOTE: For units produced after 03/27/2017.
For units produced prior to 03/27/2017 contact your Marvin Representative.

| PN |
|----------|
| 11851611 |



Frame Kit Width <50 1/2"

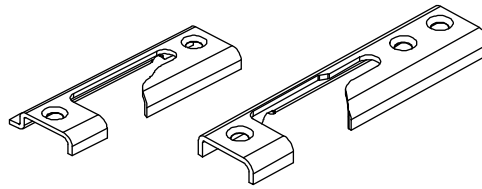
French Casement

Includes:

- 1 – Header, Sill Astragal Strike (10817210)
- 1 – Header, Astragal Strike (10817211)
- 5 – #8 x 3" Phillips flat head SST screws (11800858)

NOTE: For units produced after 03/27/2017.
For units produced prior to 03/27/2017 contact your Marvin Representative.

| PN |
|----------|
| 11851613 |



Frame Kit Width = and >50 1/2"

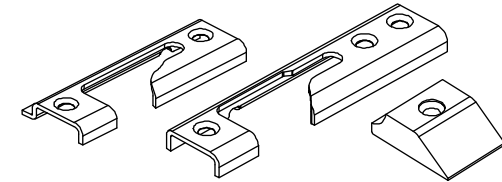
French Casement

Includes:

- 2 – Header, Sill Astragal Strike (10817210)
- 1 – Header, Astragal Strike (10817211)
- 2 – Sill Ramp (10817200)
- 7 – #8 x 3" Phillips flat head SST screws (11800858)
- 2 – #8 x 7/8" Phillips flat head SST screws (11806100)

NOTE: For units produced after 03/27/2017.
For units produced prior to 03/27/2017 contact your Marvin Representative.

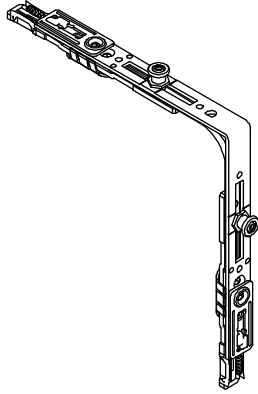
| PN |
|----------|
| 11851615 |



Top Corner Drive

French Casement

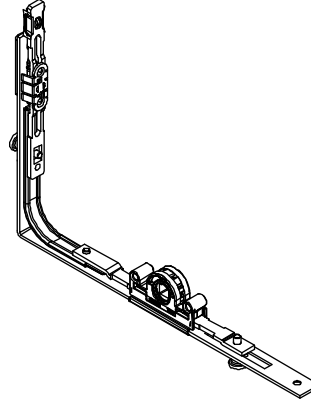
| |
|----------|
| PN |
| 10816431 |



Bottom Corner Drive

French Casement

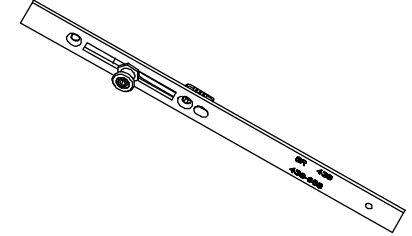
| |
|----------|
| PN |
| 10816430 |



Top Corner Extension, 206mm

French Casement

| |
|----------|
| PN |
| 10816432 |

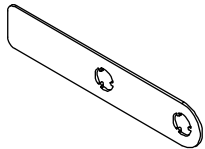


Top Corner Drive Filler

French Casement

NOTE: For units under 51 1/2" frame size width

| |
|----------|
| PN |
| 10816433 |



Shoot Bolt Strike

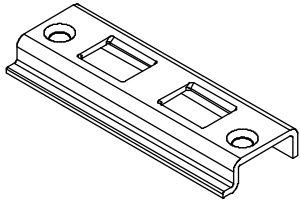
French Casement Push Out

Ultimate French Casement Narrow Frame Push Out

Includes:

2 – #10 x 3” screws (11801031)

| PN |
|----------|
| 10817197 |



Sill Ramp

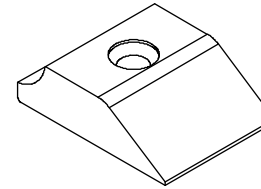
French Casement Push Out

Ultimate French Casement Narrow Frame Push Out

Includes:

1 – #8x 7/8” screw (11806100)

| PN |
|----------|
| 10817200 |



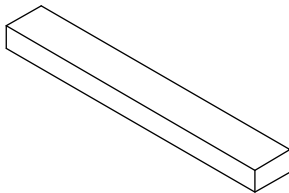
Astragal Block Seal

French Casement

French Casement Push Out

Ultimate French Casement Narrow Frame Push Out

| PN |
|----------|
| 11869827 |



Astragal Block

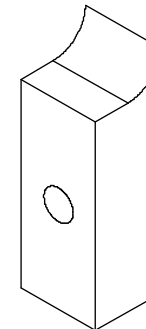
French Casement Push Out

Ultimate French Casement Narrow Frame Push Out

Includes:

1 – #4x 3/4” screw (11800334)

| Color | PN |
|-------|----------|
| Beige | 10817201 |



Friction Limiter Track Assembly

Casement/French Casement Push Out products

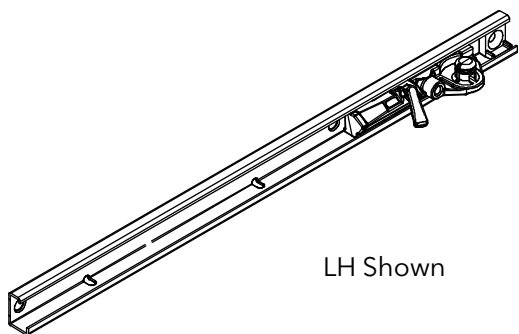
Includes:

1 - Track, Arm, Bracket Assembly

#8 x 1" flat head screws, E-Gard (11800552) or Stainless Steel (11800556)

#8 x 1 1/8" screws (11800555)

| Frame width sizes | Color | LH PN | RH PN |
|---|-----------------|----------|----------|
| Casement Push Out 16" (406) - 19 31/32" (507) and French Casement Push Out 36" (914) - 38 11/16" (983) | E-Gard | 10817130 | 10817131 |
| | Stainless Steel | 10827130 | 10827131 |
| Casement Push Out 20" (508) - 28 1/2" (724) and French Casement Push Out 38 3/4" (984) - 55 11/16" (1414) | E-Gard | 10817133 | 10817134 |
| | Stainless Steel | 10827133 | 10827134 |
| Casement Push Out 28 17/32" (725) - 35" (889) and French Casement Push Out 55 3/4" (1416) - 68 11/16" (1745) | E-Gard | 10817136 | 10817137 |
| | Stainless Steel | 10827136 | 10817137 |
| Casement Push Out 35 1/32" (890) - 40" (1016) and French Casement Push Out 68 3/4" (1746) and greater | E-Gard | 10817139 | 10817140 |
| | Stainless Steel | 10827139 | 10827140 |



LH Shown

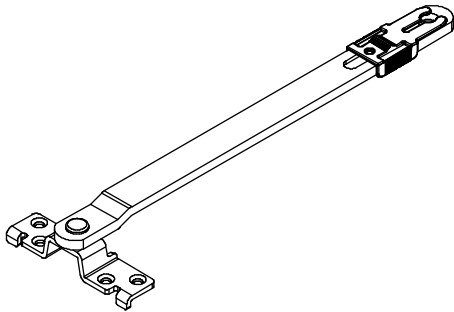
Limiters Arm Assembly

Casement/French Casement Push Out products

Includes:

- 1 - Track, Arm, Bracket Assembly
- #8 x 1" flat head screws, E-Gard (11800552) or Stainless Steel (11800556)
- #8 x 1 1/8" screws, (11800555)

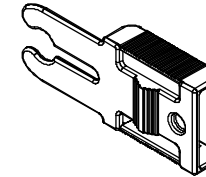
| Frame width sizes | Color | PN |
|--|-----------------|----------|
| Casement Push Out 16" (406) - 19 31/32" (507) and French Casement Push Out 36" (914) - 38 11/16" (983) | E-Gard | 10817132 |
| | Stainless Steel | 10827132 |
| Casement Push Out 20" (508) - 28 1/2" (724) and French Casement Push Out 38 3/4" (984) - 55 11/16" (1414) | E-Gard | 10817135 |
| | Stainless Steel | 10827135 |
| Casement Push Out 28 17/32" (725) - 35" (889) and French Casement Push Out 55 3/4" (1416) - 68 11/16" (1745) | E-Gard | 10817138 |
| | Stainless Steel | 10827138 |
| Casement Push Out 35 1/32" (890) - 40" (1016) and French Casement Push Out 68 3/4" (1746) and greater | E-Gard | 10817141 |
| | Stainless Steel | 10827141 |



Friction Limiter Slider

NOTE: For field replacement

| PN |
|----------|
| 10500453 |

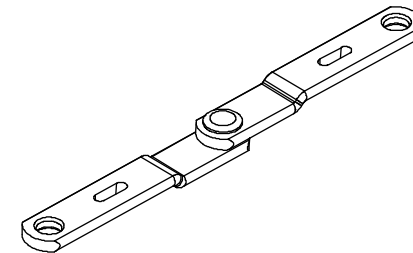


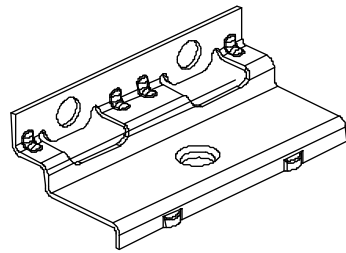
Sash Limiter Arm

Push Out products

| PN |
|----------|
| 10814818 |

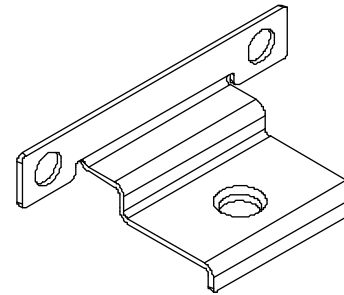
| Suggested Fastener | PN |
|--|----------|
| 2 - Snap Studs for each sash limiter arm | 10814819 |





Stationary Bracket

Used until 5/5/2011. Replace with current



Stationary Bracket

Used until 6/29/2009. Replace with current

#8 x 3" Square Head Screw

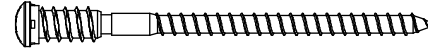
| |
|----------|
| PN |
| 11800550 |



Jamb Jack Screw

2 per unit

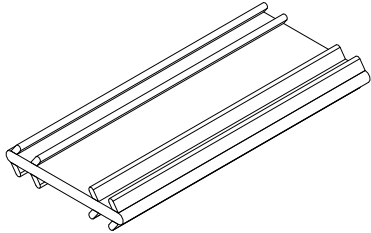
| |
|----------|
| PN |
| 11800553 |



Connecting Barb

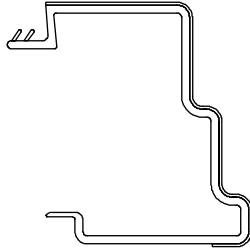
V803

| Length | PN |
|------------|----------|
| Specify LF | 15812999 |



To order, specify (use all that apply):

1. Original order number/line number
2. Profile
3. Type of unit (operating, stationary, picture, awning or venting picture)
4. Unit inside opening, rough opening or frame size (include both height and width measurements for Venting Picture units)
5. Length
6. Handing
 - a. NOTE: For casement operating - Left hand or right hand as determined from the location of the hinges on the exterior of the unit.
7. Species (if applicable)
8. Finish
9. State "Prep for Window Opening Control Device" (WOCD) when applicable. NOTE: V1666 is not available on WOCD units manufactured prior to 8/29/2022, use Solid Wood Jamb Stop, W12988.

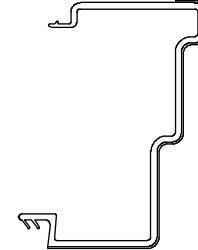


Jamb Side Stop (wood veneer), V1666

NOTE: When ordering, provide wood species and finish.

Casement: Order as lock side, hinge side (no lock), or pair.

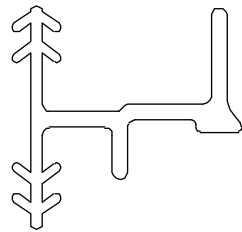
Awning: Order as LH or RH side, or pair (viewed from exterior).



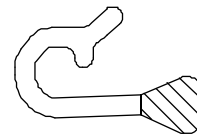
Vinyl Side Stop (wood veneer), V1926, Venting Picture Only

NOTE: When ordering, provide wood species and finish.

Order as LH, RH, or pair (viewed from exterior).

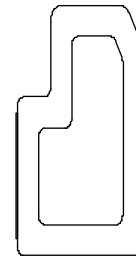


Glazing Bead, Sash, V2843



Accessory Kerf Gasket, V1660

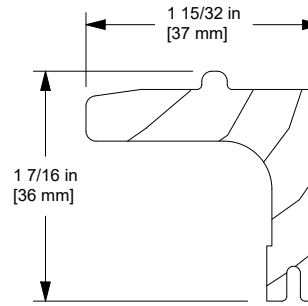
Used on A1530, A1531, A1532, A1533, A1557



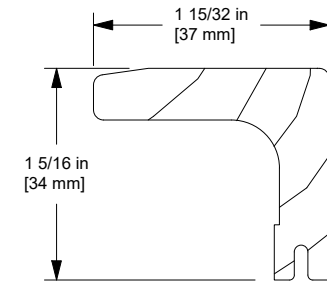
Stationary Sash Block, V1613

To order, specify:

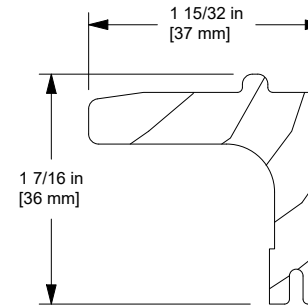
1. Profile number or part number
2. Inside opening (needs to include both height and width measurements for Venting Picture units).
3. Type of unit
4. Left hand or right hand operation for casement (as determined from the location of the hinges on the exterior of the unit).
5. Length
6. Finish
7. Species (if applicable)
8. State "Prep for Window Opening Control Device" (WOCD) when applicable.



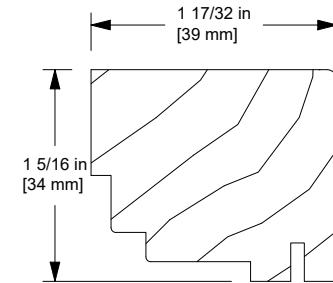
Sill Cover, W9788



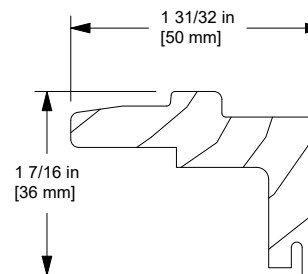
Sill Cover, W10329



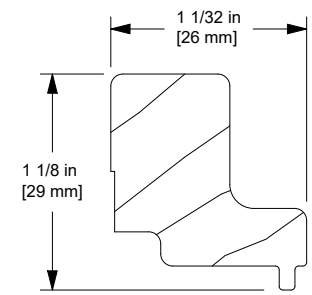
Sill Cover, Operator, W10430



Sill Cover, Stationary, W10454



Sill Stop, W10667

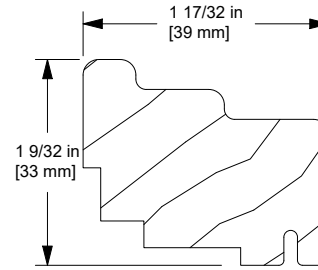


Sill Support Block, W10696

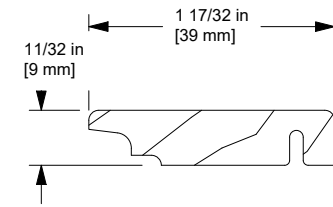
| Profile | Description |
|---------|--|
| W9788 | Sill Cover Operator and Stationary |
| W10329 | Sill Cover Casement Push Out, Casement Push Out Narrow Frame, French Casement Push Out, Ultimate French Casement Narrow Frame Push Out |
| W10430 | Sill Cover - Operator Casement Round Top, Casement Narrow Frame Round Top |
| | Sill Cover - Operator and Stationary Casement Polygon, Casement Narrow Frame Polygon |
| W10454 | Sill Cover - Stationary Ultimate Casement Narrow Frame Stationary Round Top Ultimate Casement Narrow Frame Stationary Polygon |
| W10667 | Sill Stop Casement Venting Picture, Op-O-Lock Sill Cover - Awning |
| W10696 | Sill Support Block French Casement, French Casement Push Out French Casement Round Top, Venting Picture |

To order, specify:

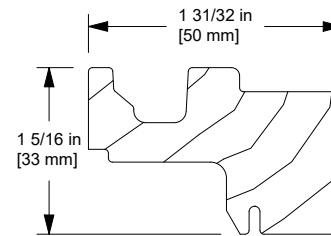
1. Profile number or part number
2. Inside opening (needs to include both height and width measurements for Venting Picture units).
3. Type of unit
4. Left hand or right hand operation for casement (as determined from the location of the hinges on the exterior of the unit).
5. Length
6. Finish
7. Species (if applicable)
8. State "Prep for Window Opening Control Device" (WOCD) when applicable.



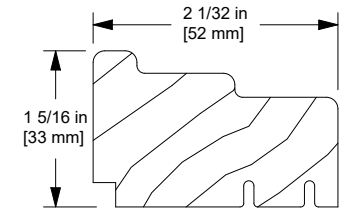
**Stationary Solid Wood
Jamb Stop, W9790**



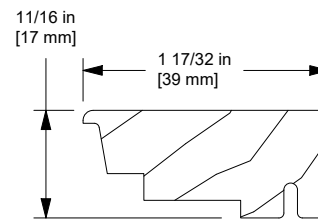
Jamb Stop, W10230



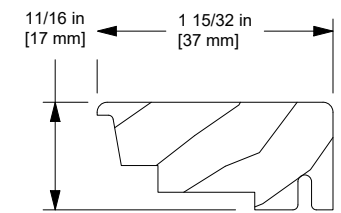
**Op-O-Lock Head Jamb
Stop, W10670**



**Optional Solid Wood Stop,
W10759**



**Jamb Stop, Stationary,
W11311**

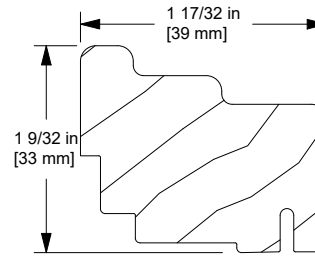


**Head Jamb Stop Stationary,
W11312**

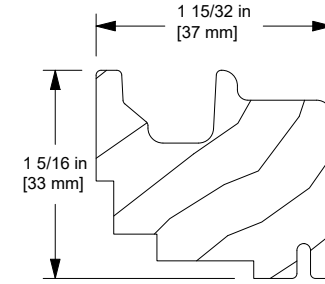
| Profile | Description |
|---------|--|
| W9790 | Jamb Stop, Stationary Casement, Casement Narrow Frame, Casement Round Top |
| | Jamb Stop - Stationary and Operator Casement Narrow Frame Round Top, Casement Polygon Case- ment Narrow Frame Polygon |
| W10230 | Jamb Stop Push Out products |
| W10670 | Op-O-Lock Head Jamb Stop Awning |
| | Head Jamb Stop Venting Picture |
| W10759 | Op-O-Lock Jamb Stop Awning |
| | Optional Solid Wood Stop Venting Picture |
| W11311 | Jamb Stop, Stationary Push Out products |
| W11312 | Head Jamb Stop, Stationary Push Out |

To order, specify:

1. Profile number or part number
2. Inside opening (needs to include both height and width measurements for Venting Picture units).
3. Type of unit
4. Left hand or right hand operation for casement (as determined from the location of the hinges on the exterior of the unit).
5. Length
6. Finish
7. Species (if applicable)
8. State "Prep for Window Opening Control Device" (WOCD) when applicable.

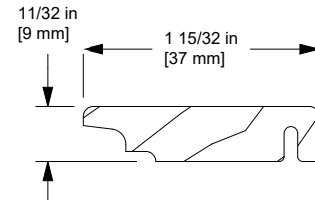


Head Jamb Stop, W9767

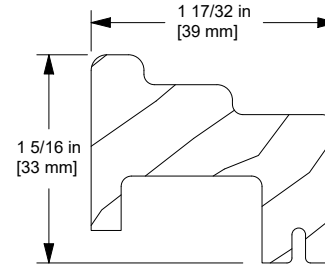


Head Jamb Stop, W9787

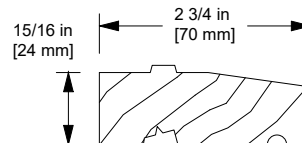
| Profile | Description |
|---------------|--|
| W9767 | Head Jamb Stop Casement Round Top, French Casement Round Top Casement Narrow Frame Round Top |
| W9787 | Head Jamb Stop Operator and Stationary |
| W10231 | Head Jamb Stop Push Out Sill Cover Push Out Awning |
| W12988 | Jamb Stop, Operator French Casement – stationary (optional) Ultimate Casement Operator Polygon Ultimate Awning, Ultimate Awning Narrow Frame, Ultimate Casement, Ultimate Casement Narrow Frame IZ4 (where applicable) |
| W10333 | Subsill – Ultimate Wood products Casement/Picture/Awning, Push Out/Picture/Awning Casement Round Top, French Casement French Casement Push Out Casement Narrow Frame Round Top |
| W10342 | 3 1/2" Extended Subsill – Ultimate Wood products Casement/Picture/Awning, Push Out/Picture/Awning Casement Round Top, Casement Narrow Frame Round Top |



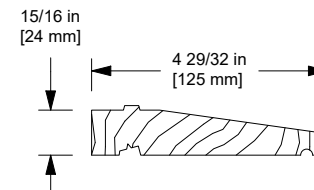
Head Jamb Stop, W10231



Solid Wood Jamb Stop, W12988



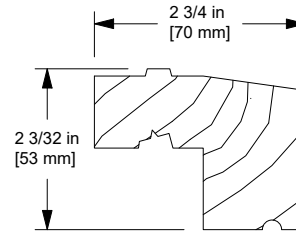
Subsill, W10333



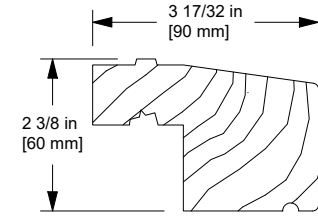
3 1/2" Extended Subsill, W10342

To order, specify:

1. Profile number or part number
2. Inside opening (needs to include both height and width measurements for Venting Picture units).
3. Type of unit
4. Left hand or right hand operation for casement (as determined from the location of the hinges on the exterior of the unit).
5. Length
6. Finish
7. Species (if applicable)
8. State "Prep for Window Opening Control Device" (WOCD) when applicable.

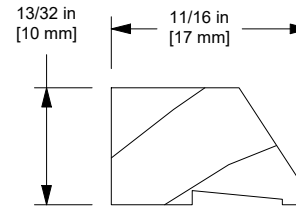


2" Simulated Thick Sill, W10340

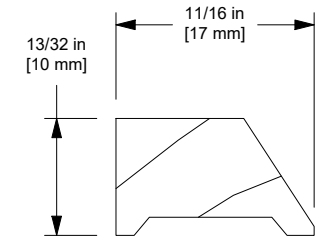


Extended 2" Simulated Thick Sill, W10341

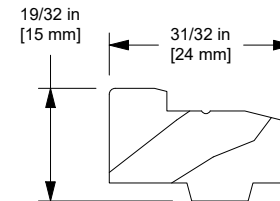
| Profile | Description |
|---------|---|
| W10340 | 2" Simulated Thick Sill – Ultimate Wood products Casement/Picture/Awning, Push Out/Picture/Awning Casement Round Top, Casement Narrow Frame Round Top |
| W10341 | Extended 2" Simulated Thick Sill – Ultimate Wood products Casement/Picture/Awning, Push Out/Picture/Awning Casement Narrow Frame, French Casement French Casement Push Out, Casement Round Top Casement Narrow Frame Round Top |
| W10384 | Putty Bead – Ultimate Wood products Casement/Picture/Awning, Push Out/Picture/Awning Casement Narrow Frame, French Casement French Casement Push Out, Casement Round Top Casement Narrow Frame Round Top Casement Narrow Frame Operator Polygon Casement Operator Round Top, Operator/Stationary Polygon |
| W10398 | Putty Bead – Ultimate Wood products Casement Round Top, Casement Narrow Frame Round Top |
| W11076 | Sill Riser – Ultimate Wood products Casement/Picture/Awning, Push Out/Picture/Awning Casement Round Top, French Casement French Casement Push Out Casement Narrow Frame Round Top |



Putty Bead, W10384



Putty Bead, W10398

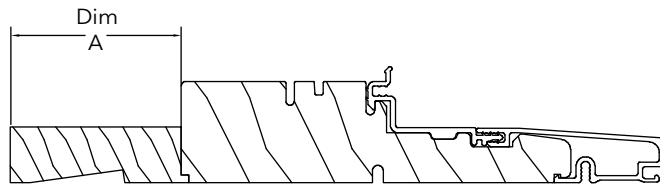


Sill Riser, W11076

| Profile | Description | Dim A |
|---------|------------------------|----------|
| W10168 | 1" Jamb Extension | 1" |
| W10170 | 2" Jamb Extension | 2" |
| W10171 | 3" Jamb Extension | 3" |
| W10172 | 4" Jamb Extension | 4" |
| W9923 | 6" Jamb Extension | 6" |
| W9821 | 4 9/16" Jamb Extension | 2 13/32" |
| W9894 | 6 9/16" Jamb Extension | 4 13/32" |

NOTE: For more information see the Miscellaneous Mouldings and Extrusions Chapter.

Overall Jamb Width Dimensions



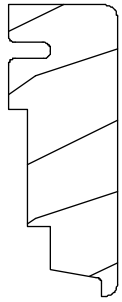
Ultimate full frame shown

Ultimate Full Frame: overall jamb width = 4 9/16" + Dim A

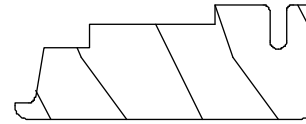
Ultimate Narrow Frame: overall jamb width = 2 1/4" + Dim A

Ultimate Wood Full Frame: overall jamb width = 4 9/16" + Dim A

Ultimate Wood Narrow Frame: overall jamb width = 3 11/32" + Dim A



W10242
Push Out
Discontinued usage 7/2011
Replace with W11311



W10243
Push Out
Discontinued usage 7/2011
Replace with W11312

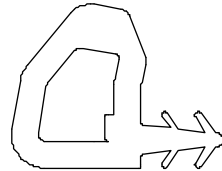
Frame Weather Strip

V1983

Usage dates:

May 2010 to present

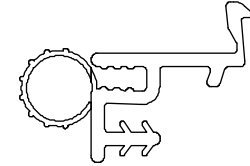
| Length | Color | PN |
|----------------|-------|----------|
| Specify Length | Beige | 15356398 |



Sash Weather Strip

V1797 (for aluminum exterior products)

| Length | Color | PN |
|--------|-------|----------|
| 150" | White | 15357099 |
| | Black | 15357299 |
| | Beige | 15357199 |



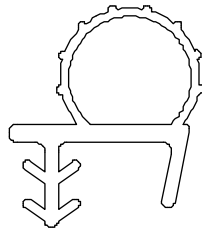
Sash Weather Strip

V1655

Ultimate Wood (sash)

Ultimate and Ultimate Wood Casement Round Top, Ultimate and Ultimate Wood Casement Narrow Frame Round Top (top rail)

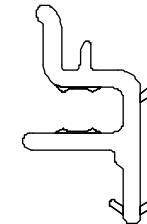
| Length | Color | PN |
|--------|-------|----------|
| 150" | Beige | 15705399 |
| | White | 15705199 |
| | Black | 15705599 |



Weather Strip Carrier

V1832

| Length | Color | PN |
|--------|-------|----------|
| 150" | Beige | 15913099 |



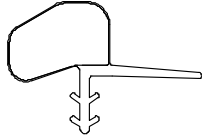
Head Jamb Weather Strip

V1725

Casement Round Top

Casement Narrow Frame Round Top

| Length | Color | PN |
|----------------|-------|----------|
| Specify Length | Beige | 15913299 |



Active Meeting Stile Weather Strip

V1935

Ultimate French Casement

Ultimate French Casement Push Out

Ultimate French Casement Narrow Frame Push Out

| Length | Color | PN |
|--------|-------|----------|
| 100" | White | 15357398 |
| | Beige | 15357498 |
| | Black | 15357598 |



Meeting Stile Weather Strip Carrier

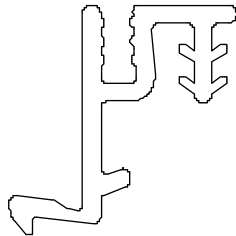
V1932

Ultimate French Casement

Ultimate French Casement Push Out

Ultimate French Casement Narrow Frame Push Out

| Length | Color | PN |
|--------|-------|----------|
| 100" | White | 15357698 |
| | Beige | 15357798 |
| | Black | 15357898 |



Astragal Weather Strip

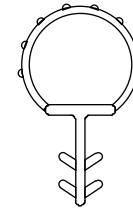
V147

Ultimate French Casement

Ultimate French Casement Push Out

Ultimate French Casement Narrow Frame Push Out

| Length | Color | PN |
|--------|-------|----------|
| 150" | White | 17002300 |
| | Beige | 15351699 |
| | Black | 17002299 |

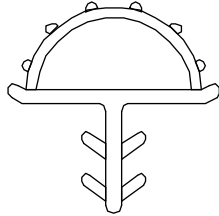


Bottom Rail Weather Strip

V2512

Ultimate Wood

| Length | Color | PN |
|--------|-------|----------|
| 150" | Beige | 15708799 |
| | White | 15708798 |
| | Black | 15708797 |



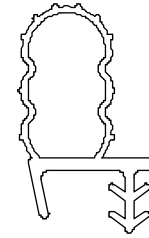
Astragal Weather Strip

V1937

Ultimate Wood French Casement

Ultimate Wood French Casement Push Out

| Length | Color | PN |
|--------|-------|----------|
| 100" | White | 15357398 |
| | Beige | 15358498 |
| | Black | 15358598 |



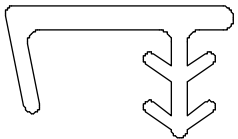
Meeting Stile Weather Strip

V1936

Ultimate Wood French Casement

Ultimate Wood French Casement Push Out

| Length | Color | PN |
|--------|-------|----------|
| 100" | White | 15358698 |
| | Beige | 15358798 |
| | Black | 15358898 |

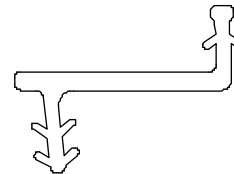


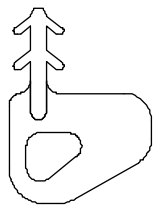
Offset Connecting Barb

V1922

Ultimate Casement Venting Picture

| Length | PN |
|--------|----------|
| 5" | 15900400 |

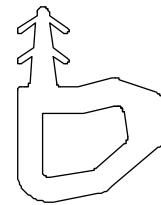




Frame Weather Strip, V1708

Used until September 2009

No longer available, replace with V1983



Frame Weather Strip, V1956

Used September 2009 to May 2010

No longer available, replace with V1983

Screen Replacement

Screens are available with aluminum or wood surround. Standard mesh is Marvin Bright View™. Aluminum mesh is available as an option in black, charcoal, bright aluminum, or bright bronze. Aluminum surrounds are available in Satin Taupe, Bronze, White, Brown and Pebble Gray.

NOTE: The Aluminum Screen will be the standard for units with a frame size height of $\leq 54 \frac{1}{2}$ " , with an option of the Extruded Aluminum Screen available. The standard screen for any unit with a frame size height $> 54 \frac{1}{2}$ " will be the Extruded Aluminum Screen.

NOTE: Screens are ordered by the outside measurement (OM) of the screen.

To order, specify:

1. Original order number;
2. size; If there is no existing screen to obtain the OM of the screen, determine the size of the screen by using the conversions and chart. The daylight opening is the measurement of the visible glass.
3. surround color;
4. mesh type.

| Ultimate and Ultimate Wood Casement/Awning Ultimate and Ultimate Wood Casement/Awning Narrow Frame Ultimate and Ultimate Wood Casement/Awning Push Out Ultimate and Ultimate Wood Casement/Awning Narrow Frame Push Out | | |
|---|----------------|----------------|
| Screen | Width | Height |
| Daylight Opening to OM of Screen (Standard bottom rail) | +1 1/8" (144) | +29/32" (23) |
| Daylight Opening to OM of Screen (Wide bottom rail) | +1 1/8" (144) | +2 13/32" (61) |
| Swinging Wood Screen (Ultimate Push Out) | Width | Height |
| Rough Opening to OM of Screen | -3 19/32" (91) | -4 1/32" (102) |
| Daylight Opening to OM of Screen | +3 7/32" (82) | +3 7/32" (82) |
| Swinging Wood Screen (Ultimate Wood Push Out) | Width | Height |
| Rough Opening to OM of Screen | -3 19/32" (91) | -4 1/32" (102) |
| Daylight Opening to OM of Screen | +3 7/32" (82) | +3 7/32" (82) |

| Ultimate and Ultimate Wood French Casement Ultimate and Ultimate Wood French Casement Push Out Ultimate French Casement Narrow Frame Push Out | | |
|--|---|-----------------|
| Screen (Ultimate) | Width | Height |
| Frame Size to OM of Screen | -4 9/32" (109) | -4 27/32" (123) |
| Swinging Wood Screen (Ultimate) | Width | Height |
| Frame Size to OM of Screen | (Frame width -2 11/16") Divided by 2 | -2 19/32" (66) |
| Screen (Ultimate Wood) | Width | Height |
| Frame Size to OM of Screen | -4 9/32" (109) | -5 25/32" (147) |
| Swinging Wood Screen (Ultimate Wood) | Width | Height |
| Frame Size to OM of Screen | (Frame width -2 11/16") Divided by 2 | -3 17/32" (90) |

Leaf Spring

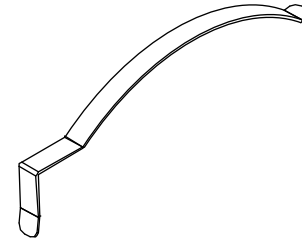
For Aluminum Screens

| |
|-----------|
| PN |
| 11868835 |



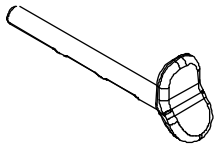
Bow Spring, Wood Screen

| |
|-----------|
| PN |
| 11868020 |



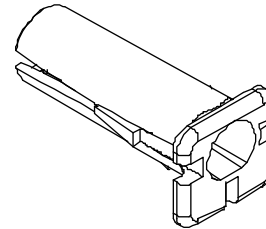
Plunger, Wood Screen

| Description | PN |
|----------------------------------|----------|
| Wood Screen | 11860242 |
| Wood Screen with Square Sticking | 11860211 |



Screen Frame Insert, Wood Screen

| Color | PN |
|-------|----------|
| Black | 11860241 |



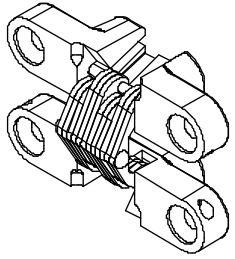
SOSS Hinge Kit

Casement/Awning Push Out (does not include Narrow Frame products)

Includes:

- 1 - SOSS Hinge (11902382)
- 4 - #5 x 3/4" Phillips flat head screws (11800575)

| Color | PN |
|-------|----------|
| Black | 11850740 |



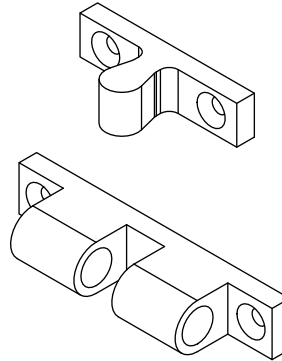
Ball Tension Catch Kit

Push Out Screen

Includes:

- 1 - Ball and catch
- 6 - Screws

| Color | PN |
|-------------------|----------|
| Antique Brass | 11850745 |
| Brass | 11850746 |
| Oil Rubbed Bronze | 11850747 |
| Satin Nickel | 11850748 |



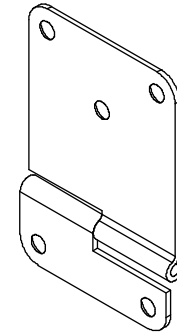
Butt Hinge Kit

Push Out Screen

Includes:

- 1 - Butt hinge
- 6 - Screws (11800794)

| Color | LH PN | RH PN |
|-------------------|----------|----------|
| Oil Rubbed Bronze | 11850741 | 11850742 |
| Satin Nickel | 11850743 | 11850744 |



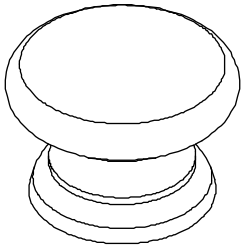
Screen Knob Kit

Push Out Screen

Includes:

- 1 - Knob
- 1 - #10 x 1.75" washer head screw (11100901)

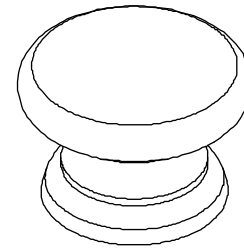
| Color | PN |
|----------------|----------|
| Pine | 11856402 |
| Oak | 11856403 |
| Mahogany | 11856404 |
| Cherry | 11856405 |
| Walnut | NA |
| Douglas Fir | 11856408 |
| Primed | 11856419 |
| White | 11856420 |
| Designer Black | 11856458 |



Screen Knob

Push Out Screen

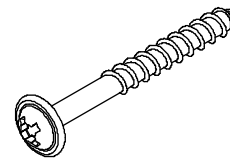
| Finish | Wood Species | | | | |
|----------|--------------|----------|-----------|----------|-------------|
| | Pine | Cherry | White Oak | Mahogany | Douglas Fir |
| Clear | 11100617 | 11100610 | 11100613 | 11100612 | 11100615 |
| Wheat | 11100659 | 11100652 | 11100655 | 11100654 | 11100657 |
| Honey | 11100667 | 11100660 | 11100663 | 11100662 | 11100665 |
| Hazelnut | 11100675 | 11100668 | 11100671 | 11100670 | 11100673 |
| Leather | 11100683 | 11100676 | 11100679 | 11100678 | 11100681 |
| Espresso | 11100699 | 11100692 | 11100695 | 11100694 | 11100697 |
| Cabernet | 11100691 | 11100684 | 11100687 | 11100686 | 11100689 |



Knob Mount Screw

NOTE: Knob mount screw must be ordered separately if desired knob finish is not available in a kit.

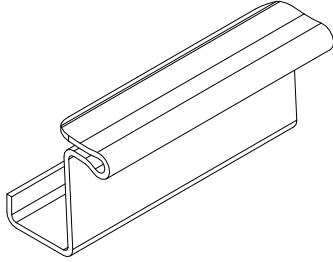
| Description | PN |
|-------------------------------|----------|
| #10 x 1.75" Washer Head Screw | 11100901 |



Screen Lift, Aluminum Screen

Package of 2

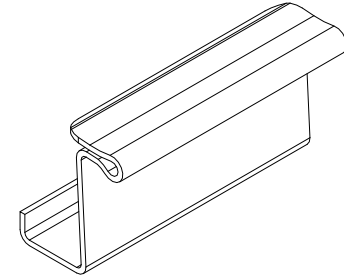
| Color | PN |
|-------------|----------|
| Satin Taupe | 11873306 |
| Stone White | 11873300 |
| Bronze | 11873301 |
| Ebony | 11873319 |



Screen Lift, Extruded Screen

Package of 2

| Color | PN |
|-------------|----------|
| Satin Taupe | 11873322 |
| Stone White | 11873323 |
| Bronze | 11873324 |
| Ebony | 11873325 |



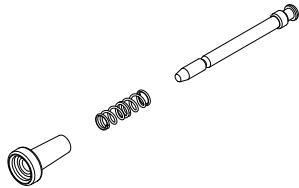
Screen Plunger Kit

Aluminum Screen

Includes:

- 1 - Plunger Bolt
- 1 - Plunger Spring
- 1 - Plunger Cap, Black

| PN |
|----------|
| 11851053 |



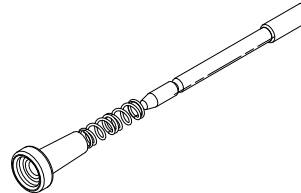
Plunger and Spring Assembly

Extruded Aluminum Screen

Includes:

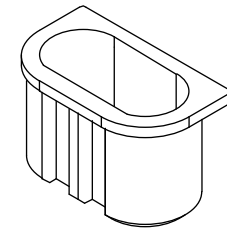
- 1 - Plunger Bolt
- 1 - Plunger Spring
- 1 - Plunger Cap, Black

| PN |
|----------|
| 10500706 |



Screen Pin Receptacle

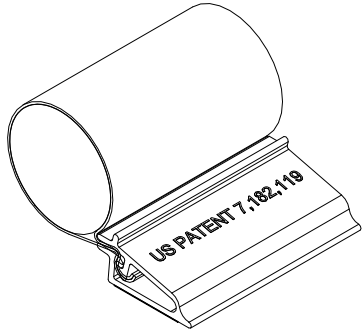
| PN |
|----------|
| 05070410 |



Screen Bulb Assembly

Venting Picture

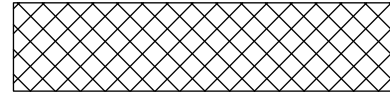
| Length | PN |
|--------|----------|
| 120" | 15623299 |

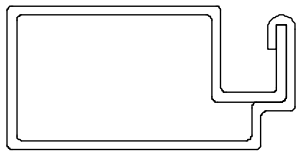


Screen Corner Key

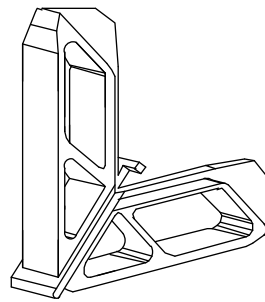
Venting Picture

| PN |
|----------|
| 10500365 |

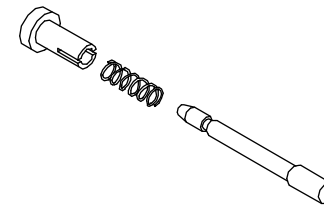




Screen Surround, Aluminum Profile



Corner Key, Screen

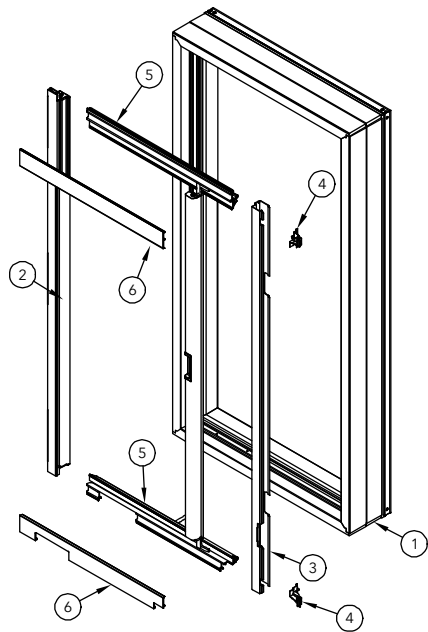


Plunger and Spring Assembly

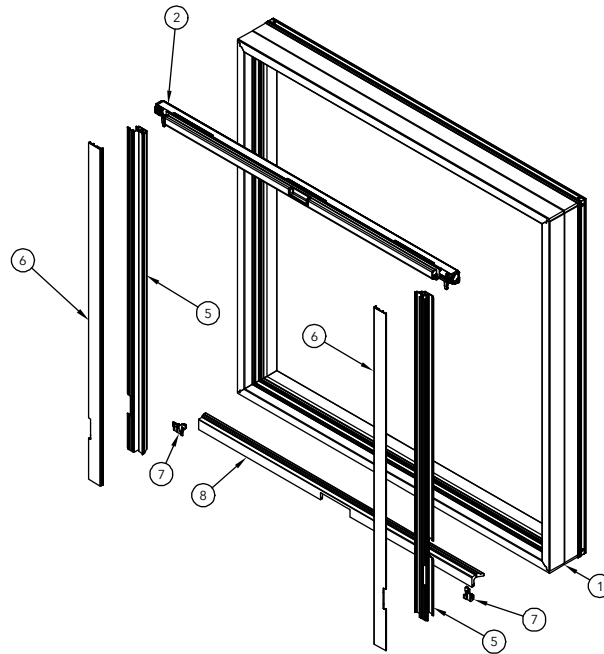
The Retractable Screen is not available as a complete assembly. For profile illustrations see profiles on the following pages.

1. Unit Assembly
2. Screen Housing ordered after 11/30/2015
3. Jamb Side Stop – C0048 (Casement, Casement Narrow Frame)
4. Lock Insert – Casement (included with the side jamb stop)
5. Track – C0129 (Casement, Casement Narrow Frame), Jamb Track – C0131 (Awning, Awning Narrow Frame)
6. Track Cover – C0130 (Casement, Casement Narrow Frame), C0132 (Awning, Awning Narrow Frame)
7. Track End Cap – Awning (included with the track)
8. Sill Cover – W10831 (Awning, Awning Narrow Frame)

NOTE: Not shown: Screen mesh cartridge (which consist of a mesh roll, screen tube, free spin plug, spring assembly) can be ordered separately for warranty purposes.



Ultimate Casement

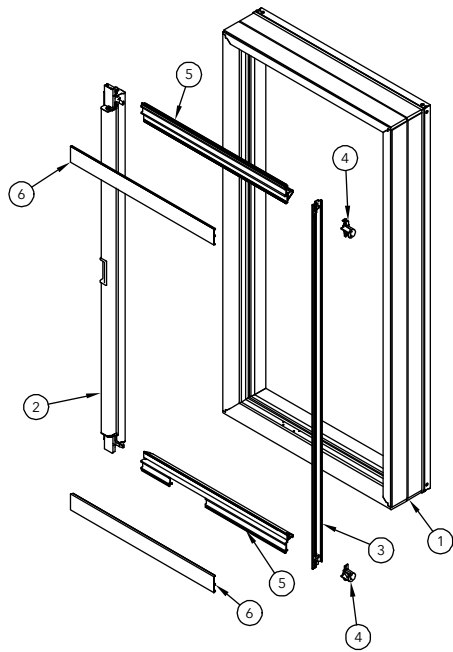


Ultimate Awning

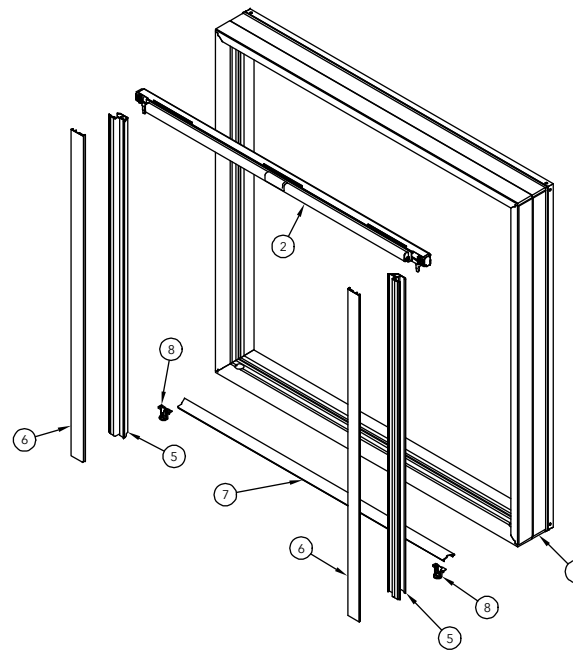
The Retractable Screen is not available as a complete assembly. For profile illustrations see profiles on the following pages.

1. Unit Assembly
2. Screen Housing ordered after 11/30/2015
3. Vertical Side Jamb Stop – C0074 (Casement Push Out, Casement Narrow Frame Push Out)
4. Locking Plug – Casement (included with the side jamb stop)
5. Track, C0129 (Casement Push Out, Casement Narrow Frame Push Out), Jamb Track, – C0131 (Awning Push Out, Awning Narrow Frame Push Out)
6. Track Cover, C0130 (Casement Push Out, Casement Narrow Frame Push Out) – C0132 (Awning Push Out, Awning Narrow Frame Push Out)
7. Sill Cover, C0075 (Awning Push Out, Awning Narrow Frame Push Out)
8. Locking Plug – Awning

NOTE: Not shown: Screen mesh cartridge (which consist of a mesh roll, screen tube, free spin plug, spring assembly) can be ordered separately for warranty purposes.



Ultimate Push Out Casement



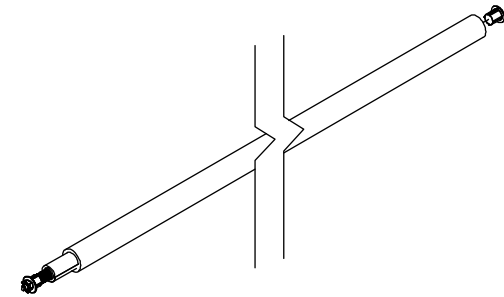
Ultimate Push Out Awning

Ordering Retractable Screen Mesh Cartridges, specify:

1. Outside Measurement (OM) of screen or Call Number (Casement/Awning). OM of screen* (Casement/Awning Narrow Frame). Use one of the following along with the conversion chart to determine the OM of screen.
 - a. Original order number and line number. If you do not have the original order number, use options below.
 - b. Frame size.
 - c. Measure the Retractable Screen OM (see illustration). Precise measurements are extremely critical for optimal fit.
2. Handing (if Casement);
3. Wood species;
4. Gliding block color;
5. Track color.

*NOTE: Screens CAN ONLY be ordered by screen OM for Casement/Awning Narrow Frame products.

NOTE: Converted measurements from DLO to frame size will NOT work.

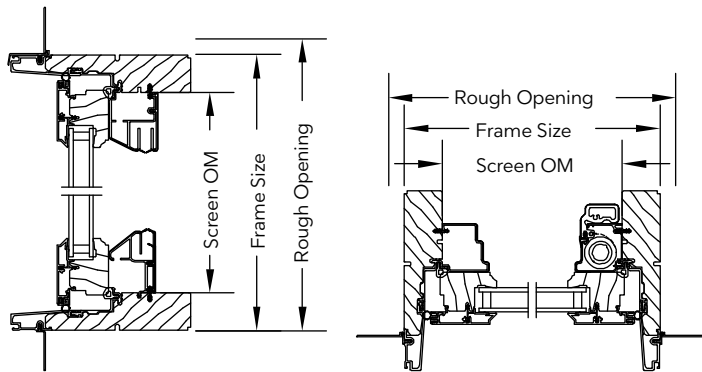


Retractable Screen Mesh Cartridge

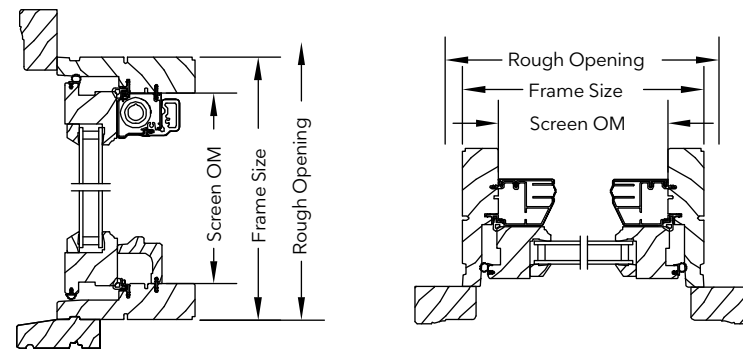
Where to measure Retractable Screen OM for Screen Mesh Replacement

| Ultimate Products | | |
|--|--------------|--------------|
| Screen | Width | Height |
| Frame Size to OM of Retractable Screen | -2 3/8" (60) | -2 3/8" (60) |

| Ultimate Wood Products | | |
|--|--------------|---------------|
| Screen | Width | Height |
| Frame Size to OM of Retractable Screen | -2 3/8" (60) | -3 5/16" (84) |



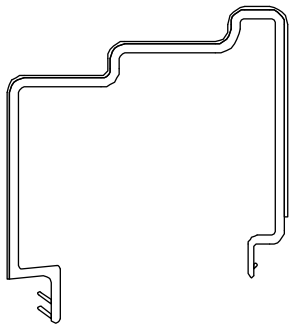
Ultimate Casement



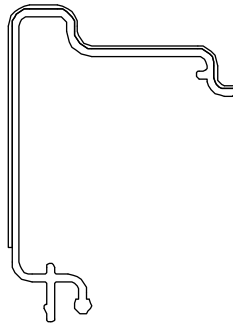
Ultimate Wood Awning

To order Retractable Screen parts, specify:

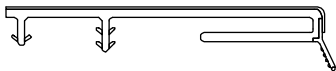
1. Outside Measurement (OM) of screen. OM is mandatory. Use one of the following along with the conversion chart to determine your screen OM.
 - a. Original order number and line number. If you do not have the original order number, use options below.
 - b. Call number or frame size. Use the call number, if possible. NOTE: Converted measurements from DLO to frame size will NOT work.
 - c. Measure the Retractable Screen OM. Precise measurements are extremely critical for optimal fit.
2. Profile number;
3. Type of unit:
 - a. Casement: left hand or right hand operation for casement (as determined from the location of the hinges on the exterior of the unit);
 - b. Awning: left or right hand track and/or cover (as determined by the location of the part viewed from the exterior of the unit);
4. Finish;
5. Species (if applicable);
6. State "Prep for Window Opening Control Device" when applicable;
7. Flexible seal on Track and Track Cover, and Pull Bar weather strip color will match Glide Block color (please specify).



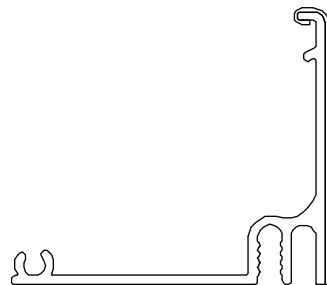
Jamb Side Stop, C0048



Exterior Housing, C0049



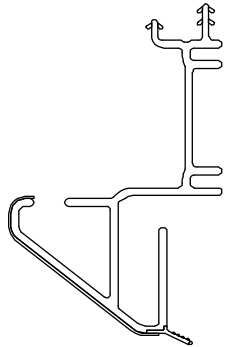
Jamb Track Cover, C0132



Interior Housing, C0032

| Profile | Description |
|---------|--|
| C0048 | Casement, Casement Narrow Frame |
| C0049 | Casement |
| C0132 | Awning, Awning Narrow Frame, Awning Push Out, Awning Narrow Frame Push Out |
| C0032 | Casement |

| Profile | Description |
|---------|--|
| C0074 | Casement Push Out, Casement Narrow Frame Push Out |
| C0134 | Casement/Awning, Casement/Awning Narrow Frame, Casement/Awning Push Out, Casement/Awning Narrow Frame Push Out |
| C0129 | Casement, Casement Narrow Frame, Casement Push Out, Casement Narrow Frame Push Out |
| C0130 | Casement, Casement Narrow Frame, Casement Push Out, Casement Narrow Frame Push Out |
| C0075 | Awning Push Out, Awning Narrow Frame Push Out |
| C0131 | Awning, Awning Narrow Frame, Awning Push Out, Awning Narrow Frame Push Out |
| W10831 | Awning, Awning Narrow Frame |



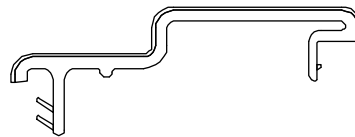
Track, C0129

Specify Head Jamb or Sill

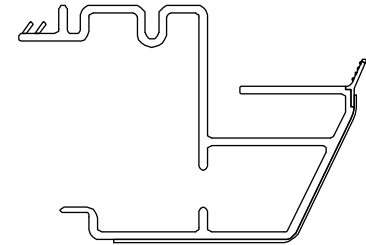


Track Cover, C0130

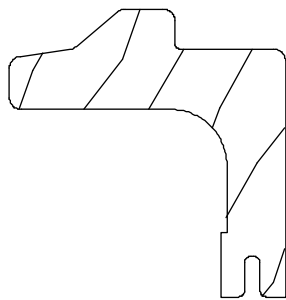
Specify Head Jamb or Sill



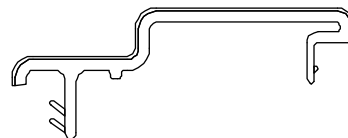
Horizontal Sill Stop Cover, C0075



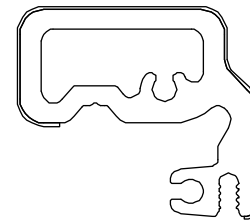
Jamb Track, C0131



Sill Cover, W10831



Vertical Side Stop, C0074



Pull Bar, C0134

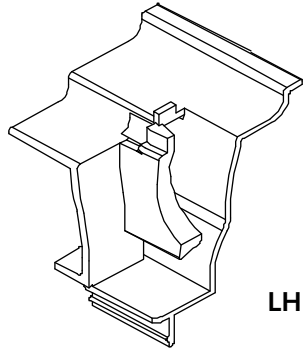
Glide Block (not shown) and weather strip included

Lock Insert Kit, Casement

Includes:

- 1 - LH locking insert
- 1 - RH locking insert

| |
|----------|
| PN |
| 11850759 |



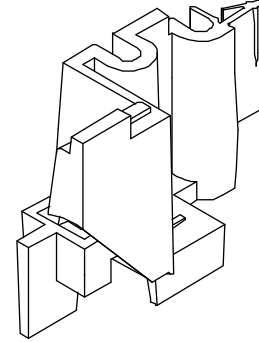
LH shown

Locking Insert Kit, Awning

Includes:

- 1 - LH locking insert
- 1 - RH locking insert

| |
|----------|
| PN |
| 11850760 |



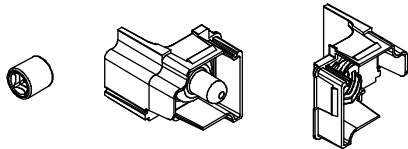
LH shown

End Cap Kit, Casement

Includes:

- 1 - Winder tool
- 1 - Free spin end cap
- 1 - Ratchet End Cap

| |
|----------|
| PN |
| 11850775 |

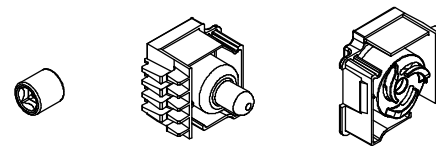


End Cap Kit, Awning

Includes:

- 1 - Winder tool
- 1 - Free spin end cap
- 1 - Ratchet end cap

| |
|----------|
| PN |
| 11850776 |



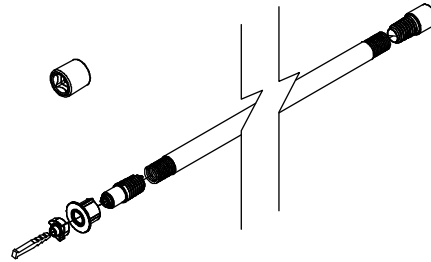
Small Spring Assembly Kit

Includes:

- 1 - Winder tool
- 1 - Small spring assembly

NOTE: For all Casement frame OM and Awning frame OM 20.000" to 24.414"

| PN |
|----------|
| 11850777 |



Large Spring Assembly Kit

Includes:

- 1 - Winder tool
- 1 - Large spring assembly

NOTE: For Awning frame OM 24.415" to 72.000"

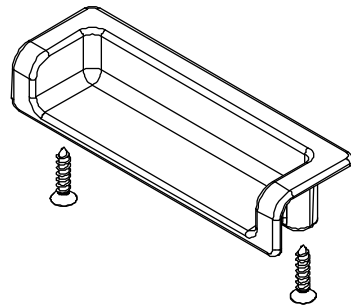
| PN |
|----------|
| 11850778 |

Pull Bar Handle Kit

Includes:

- 1 - Handle
- 2 - 3/8" full thread screws (11800336)

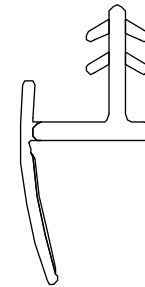
| Color | PN |
|-------------------|----------|
| Satin Taupe | 11851061 |
| Bronze | 11851062 |
| Stone White | 11851060 |
| Brass | 11851065 |
| Antique Brass | 11851064 |
| Polished Chrome | 11851068 |
| Satin Chrome | 11851067 |
| Oil Rubbed Bronze | 11851063 |
| Satin Nickel | 11851066 |
| Matte Black | 11851069 |



Pull Bar Weather Strip

V2193

| Length | Color | PN |
|--------|-------------|----------|
| 120" | Stone White | 15712099 |
| | Beige | 15712199 |
| | Black | 15712299 |

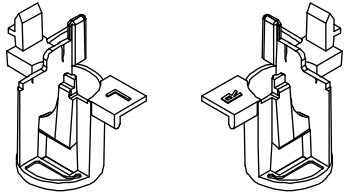


Casement Push Out Locking Plug Kit

Includes:

- 1- RH locking plug
- 1- LH locking plug
- 1 - Instruction

| PN |
|----------|
| 11850761 |

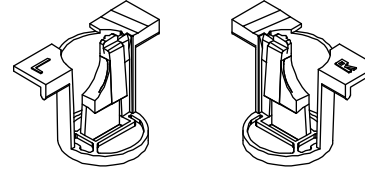


Awning Push Out Locking Plug Kit

Includes:

- 1- RH locking plug
- 1- LH locking plug
- 1 - Instruction

| PN |
|----------|
| 11850762 |

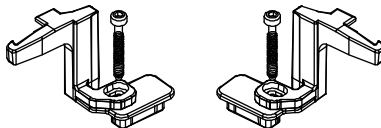


Gliding Block Kit

Includes:

- 1 - LH gliding block
- 1 - LH end cap
- 1 - RH gliding block
- 1 - RH end cap
- 2 - Gliding block fastener, Beige (11806382), Black (11806384) Stone White (11806383)

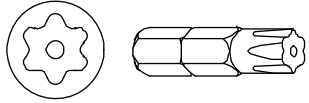
| Color | PN |
|-------------|----------|
| Beige | 11850756 |
| Black | 11850757 |
| Stone White | 11850758 |



Replacement sash are available in Configured Parts in OMS.

T20 Torx Tamper-Proof Custodial Bit

| |
|----------|
| PN |
| 02071481 |



Lock Handle Wrench

| |
|----------|
| PN |
| 10810020 |

