

Elevate Casement/Awning Insert Window Measuring Instruction



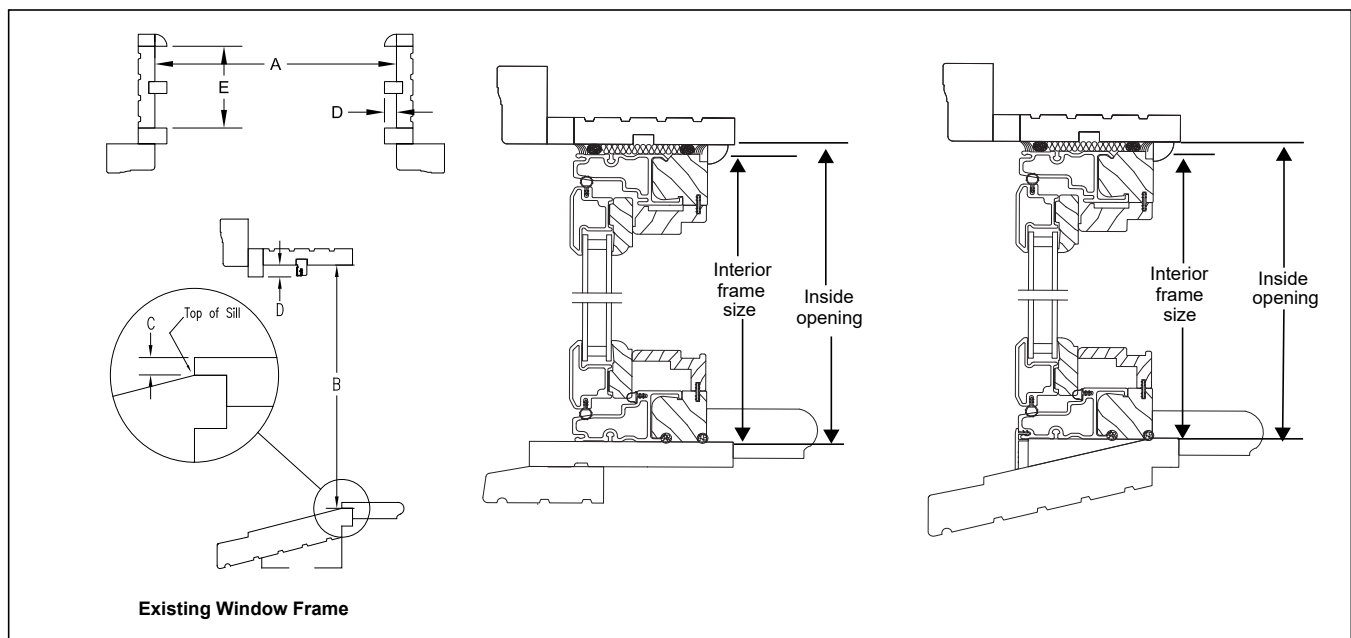
Before You Begin

- These measuring instructions cover the following product types: Elevate Insert Casement (ELCANF), Elevate Insert Awning (ELAWNNF), Elevate Insert Picture (ELCANFP), and Elevate Insert Transom (ELCANFTR).
- Be sure to inspect the exterior around the existing window unit for rot or deterioration. If there is damage to the exterior, a full frame unit installation may be a better choice.

NOTE: Numbers listed in parentheses () are metric equivalents in millimeters to the nearest whole number.

You will need to supply:

Tape measure



Required Measurements

NOTE: To calculate the exact frame size, refer to the standard sizing charts and/or measurement conversions in the Integrity ADM.

1. **Inside Opening Width (A):** Measure inside of frame at three locations: the sill, center of jambs, and head jamb. Record the **narrowest** measurement.

NOTE: Do not measure width from parting stops, blind stops, hardware, or weather strip.

2. **Inside Opening Height (B):** Measure from the top of the sill to the bottom of the head jamb.
3. **Stool Height (C):** Use a measuring tape to determine the stool height. If the stool height is greater than 1 5/16" (33), modification to the existing sill may be necessary.

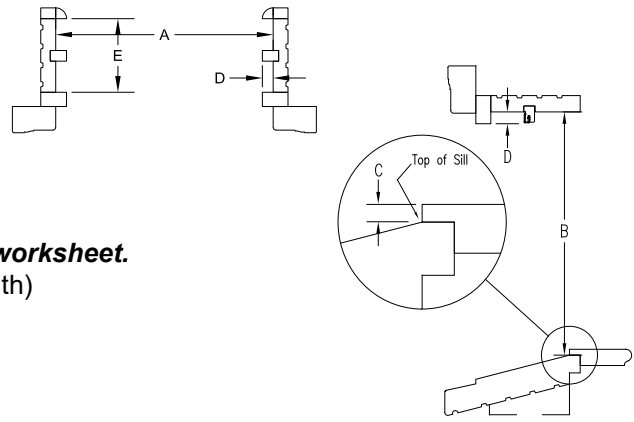
Recommended Measurements

4. Measure the width of the blind stops from the inside opening to the edge of the blind stop (D). If width exceeds 1/2" (13), modification to the blind stop or an exterior installation may be necessary.
5. Measure Jamb pocket depth (E). If depth is less than 3 1/4" (83) or greater than 3 1/2" (89), modification to the pocket may be necessary. (Exterior installation is recommended for pocket depths less than 3 1/4" (83).)

PROJECT _____

MEASURED BY: _____

DATE: _____



Follow the steps on the previous page to fill in this worksheet.

Measurement **A: Inside Opening Width** (narrowest width)

Measurement **B: Inside Opening Height**

Measurement **C: Stool Height**

Measurement **D: Blind Stop Width***

Measurement **E: Jamb Pocket Depth****

NOTE: Insert units will be manufactured 3/8" (10) smaller in width and 1/4" (6) smaller in height than the inside opening measurement specified.

Window/Location	Product Description	Required Measurement			Recommended Measurement	
		A	B	C	D*	E**

*Modifications may be necessary for interior installation if the widths of the blind stops exceed 1/2" (3).

**If less than 3 1/4" (83) or greater than 3 1/2" (89), modifications to the pocket may be necessary.

Site Map																			