



Ultimate Outswing Door 2.25 (3" Stiles)

Replacement Parts

Specifications and technical data are subject to change without notice.

Numbers listed in () parentheses are metric equivalents in millimeters rounded to the nearest whole number.

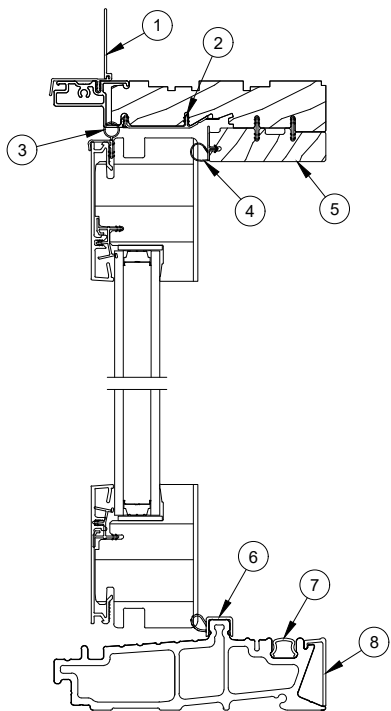
Suggested fasteners are not included and must be ordered separately.

Illustrations are not to scale.

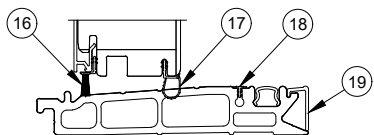
Contents

Product History.....	2
Part Identification - X L and XX L.....	3
Part Identification - Jamb.....	4
Part Identification - Stationary.....	5
Part Identification - Transom.....	6
Panel Options.....	7
Installation Parts.....	8
Minimalist Handle.....	9
Minimalist Handle - Keyed Cylinder.....	18
Narrow Contemporary Handle.....	19
Narrow Contemporary Handle - Keyed Cylinder.....	24
Hinge Handing Location.....	25
Hinges.....	26
Miscellaneous Parts.....	27
Miscellaneous Parts - Accessibility Sill.....	32
Lock Status Sensor Parts.....	34
Aluminum Parts - Fabricated.....	35
Vinyl Parts - Fabricated.....	36
Wood Parts - Fabricated.....	37
Weather Strip.....	38
Weather Strip - Accessibility Sill.....	39
Sill Replacement - Configured Parts in OMS.....	41
Service Only Parts.....	42

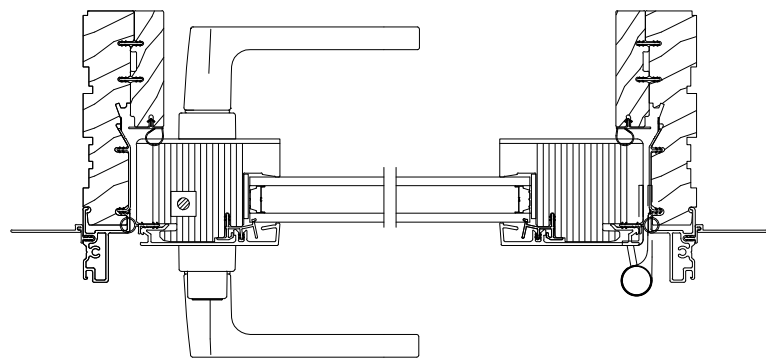
Produced	Unit Type	Features and Changes
2021	Ultimate Outswing Door 2.25 (3" Stiles)	06/28/2021: Introduced the Ultimate Outswing Door 2.25 (3" Stile).
2022	Ultimate Outswing Door 2.25 (3" Stiles)	02/28/2022: The Ultimate Outswing Door 2.25 (3" Stile) is now available with Impact Zone 3 (IZ3) certification. See Product Bulletin 807 for more details.
2023	Ultimate Outswing Door 2.25 (3" Stiles)	10/30/2023: An ERS coating became available as a standard option for current Triple Pane offerings. See Product Bulletin 904 for more details
2024	Ultimate Outswing Door 2.25 (3" Stiles)	<p>02/26/2024: Performance Sill color changes from Bronze to Ebony, see Product Bulletin 909 for more information. Added panel options, see Product Bulletin 910 for additional information. Narrow Contemporary Handle options were added for the Ultimate Swinging Door 2.25. See Product Bulletin 911 for more information.</p> <p>04/29/24: Replacement Sills were made available in Configured Parts in OMS.</p> <p>10/28/2024: Accessibility Sill became available. See Product Bulletin 938 for more information. The Bronze Performance sill moved to Discontinued - No Longer Available status (DISC-NA). See Product Bulletin 909 for more information.</p> <p>11/25/2024: Updated Adjustable Hinge Packages to G2 version, utilizing the current adjustable hinge with G2 fastener usage.</p>



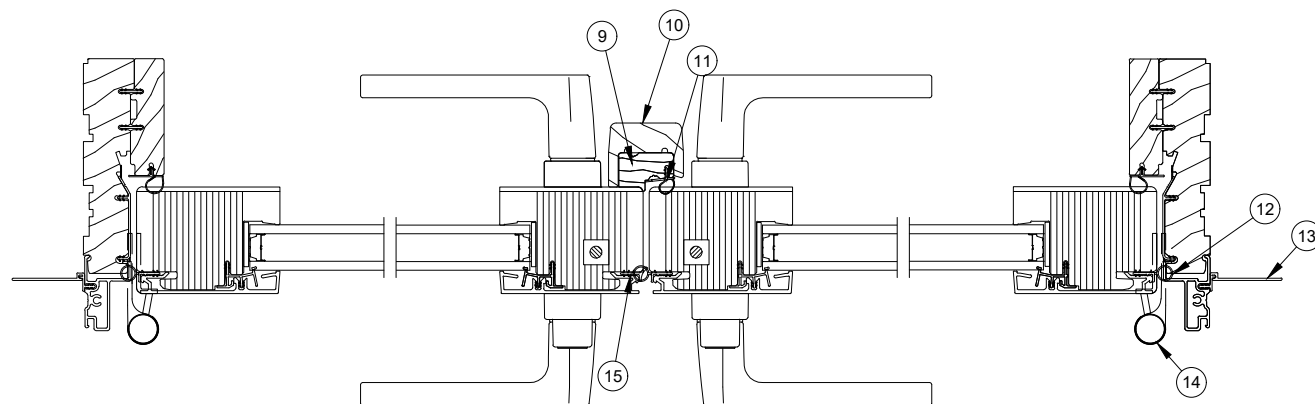
Head Jamb and Performance Sill Detail



Accessibility Sill Detail

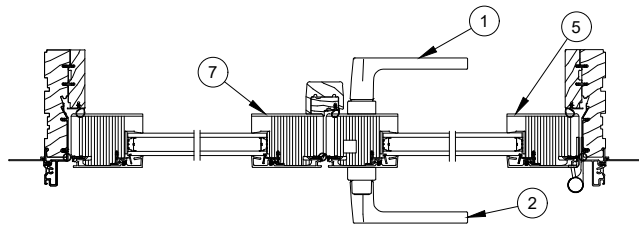


X L Jamb

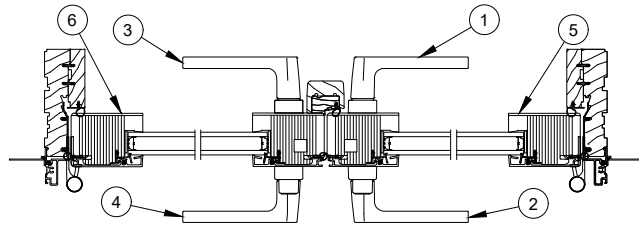


XX L Jamb

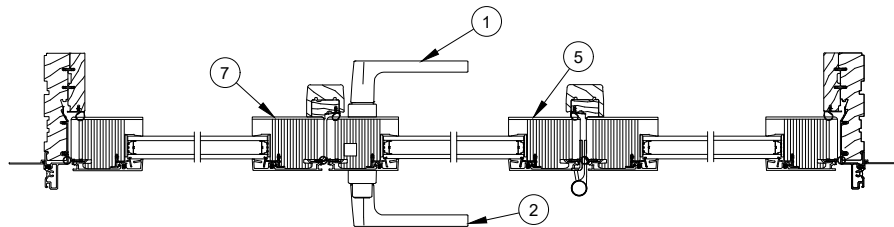
- | | | |
|--|--|--|
| 1. Head Jamb Nailing Fin, V119 | 8. Sill Liner, A3727 | 14. Adjustable Hinge |
| 2. Exterior Vinyl Frame Cover, V3224 | 9. Astragal Base, W13639 | 15. Inactive Weather Strip, V3242 |
| 3. Panel Cover Weather Strip, V3241 | 10. Astragal Cap (Ogee), W13640 | 16. Pile Weather Strip, Accessibility Sill, V03381 |
| 4. Frame/Parting Stop Weather Strip, V3117 | 11. Astragal Base Weather Strip, V3208 | 17. Weather Strip, Accessibility Sill, V03405 |
| 5. Jamb/Head Jamb Parting Stop, W13541 | 12. Stile Weather Strip, V3243 | 18. Kerf Filler, Accessibility Sill, V03427 |
| 6. Sill Weather Strip, V2026 | 13. Jamb Nailing Fin, V104 | 19. Sill Liner, Accessibility Sill, A03955 |
| 7. Interior Sill Filler, V3120 | | |



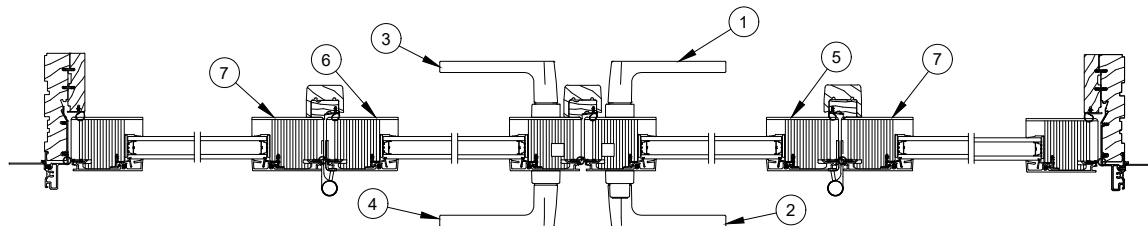
2 Panel Jamb Detail - OX L



2 Panel Jamb Detail - XX L

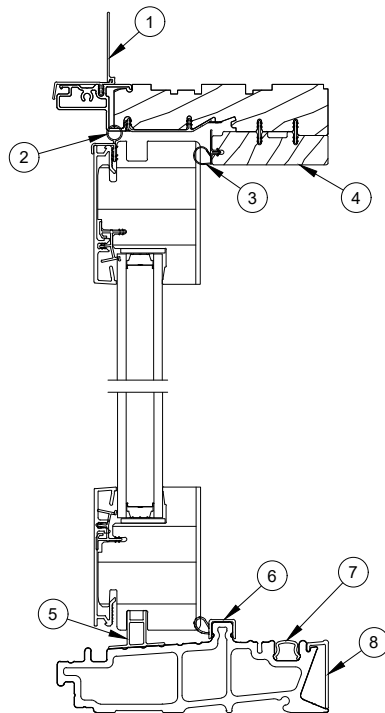


3 Panel Operating Jamb OXO L

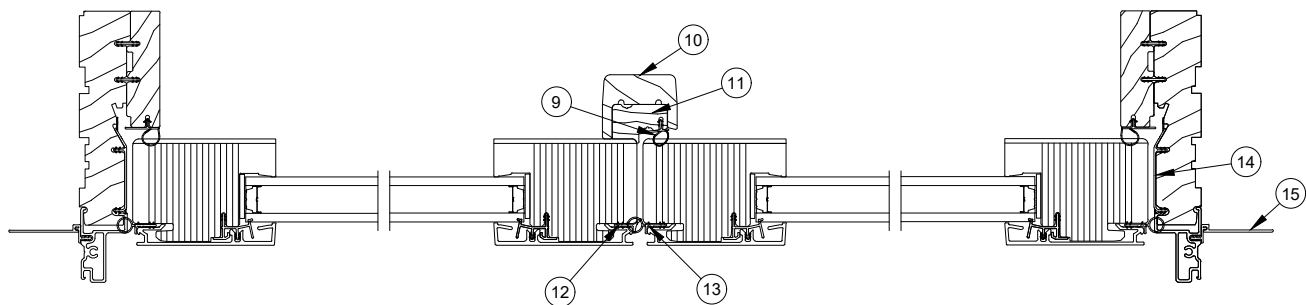


4 Panel Operating Jamb OXXO L

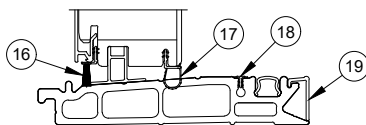
1. Active Handle, Interior
2. Active Handle, Exterior
3. Inactive Handle, Interior
4. Inactive Handle, Exterior
5. Active Panel
6. Inactive Panel
7. Stationary Panel



Head Jamb and Performance Sill Detail



OO Jamb Detail

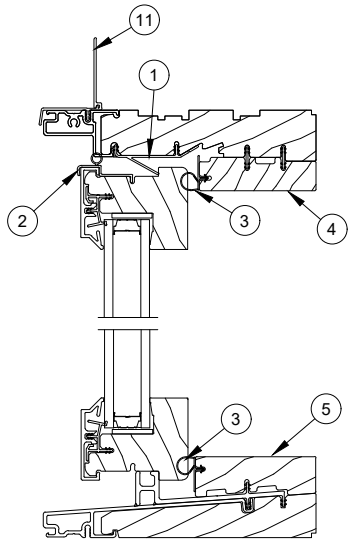


Accessibility Sill Detail

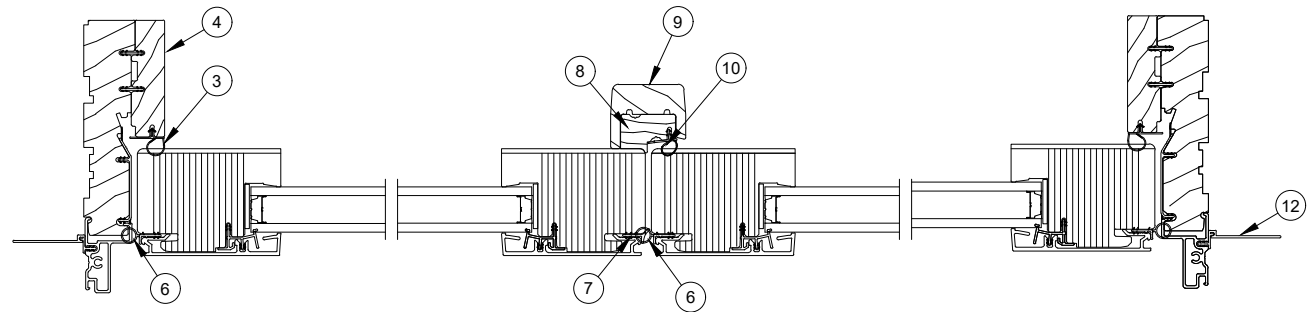
1. Head Jamb Nailing Fin, V119
2. Panel Cover Weather Strip, V3241
3. Parting Stop Weather Strip, V3117
4. Jamb/Head Jamb Parting Stop, W13541
5. Stationary Block, Exterior Sill, A3638
6. Sill Weather Strip, V2026
7. Interior Sill Filler, V3120

8. Sill Liner, A3727
9. Astragal Base Weather Strip, V3208
10. Astragal Cap (Ogee), W13640
11. Astragal Base, W13639
12. Inactive Weather Strip, V3242
13. Stile Weather Strip, V3243

14. Exterior Vinyl Frame Cover, V3224
15. Jamb Nailing Fin, V104
16. Pile Weather Strip, Accessibility Sill, V03381
17. Weather Strip, Accessibility Sill, V03405
18. Kerf Filler, Accessibility Sill, V03427
19. Sill Liner, Accessibility Sill, A03955



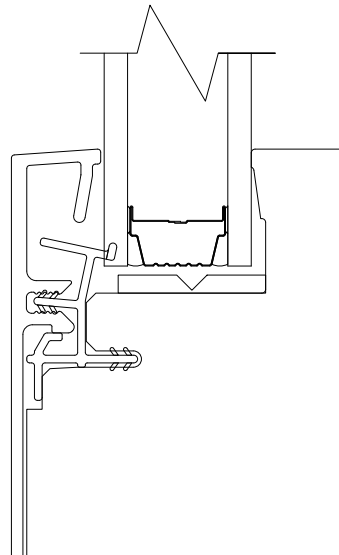
Head Jamb & Sill



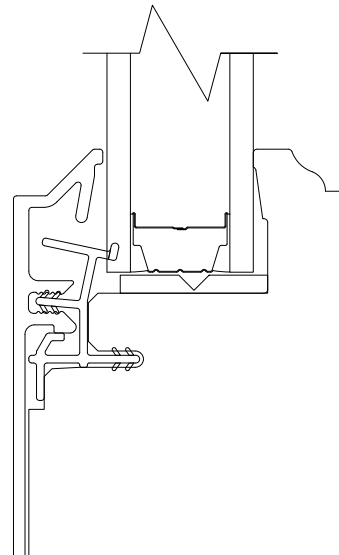
Jamb - Transom 00
(1 Frame - 2 Sash)

1. Exterior Cover, Panel Retainer, V3123
2. Top Rail Weather Strip, Transom, V3133
3. Frame/Parting Stop Weather Strip, V3117
4. Jamb/Head Jamb Parting Stop, A13541
5. Sill Cover, Transom, W13567
6. Stile Weather Strip, V3243

7. Inactive Weather Strip, V3242
8. Astragal Base, W13639
9. Astragal Cap (Ogee), W13640
10. Astragal Base Weather Strip, V3208
11. Head Jamb Nailing Fin, V119
12. Jamb Nailing Fin, V104



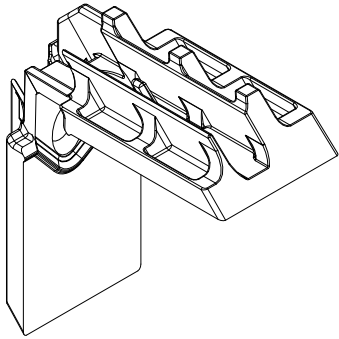
Standard
Square Interior
Square Exterior



Option
Ogee Interior
Putty Exterior

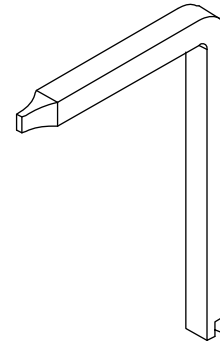
4 9/16" Upper Frame Key

Color	PN
Black	11869925



Construction Handle

PN
10830451

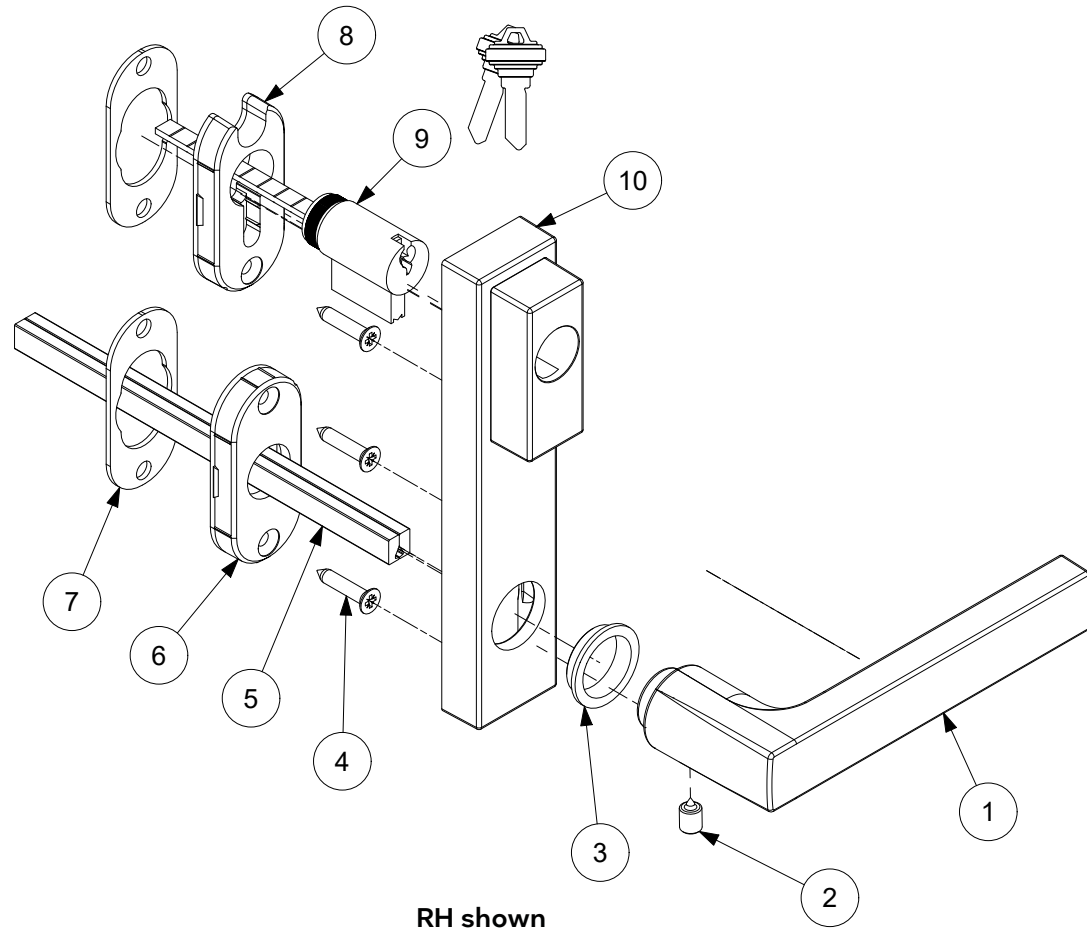


Minimalist Handle, Exterior, Active, Keyed

Includes:

- (1) Lever handle
 - (2) Set screw
 - (3) Lever bushing
 - (4) Wood screw, qty 3
 - (5) Split spindle, 2 1/4" doors
 - (5) Split spindle, 1 3/4" doors
 - (6) Handle rosette base
 - (7) Gasket, rosette base, qty 2
 - (8) Cylinder rosette base
 - (9) Keyed cylinder (includes 2 keys)
 - (10) Exterior Escutcheon with cylinder housing
- Installation instruction
Hex wrench

LH Outswing Panel uses RH PN RH Outswing Panel uses LH PN		
Color	LH PN	RH PN
Matte Black	11870040	11870032
Satin Nickel PVD	11870042	11870034
Oil Rubbed Bronze PVD	11870044	11870036
Dark Bronze	11870046	11870038

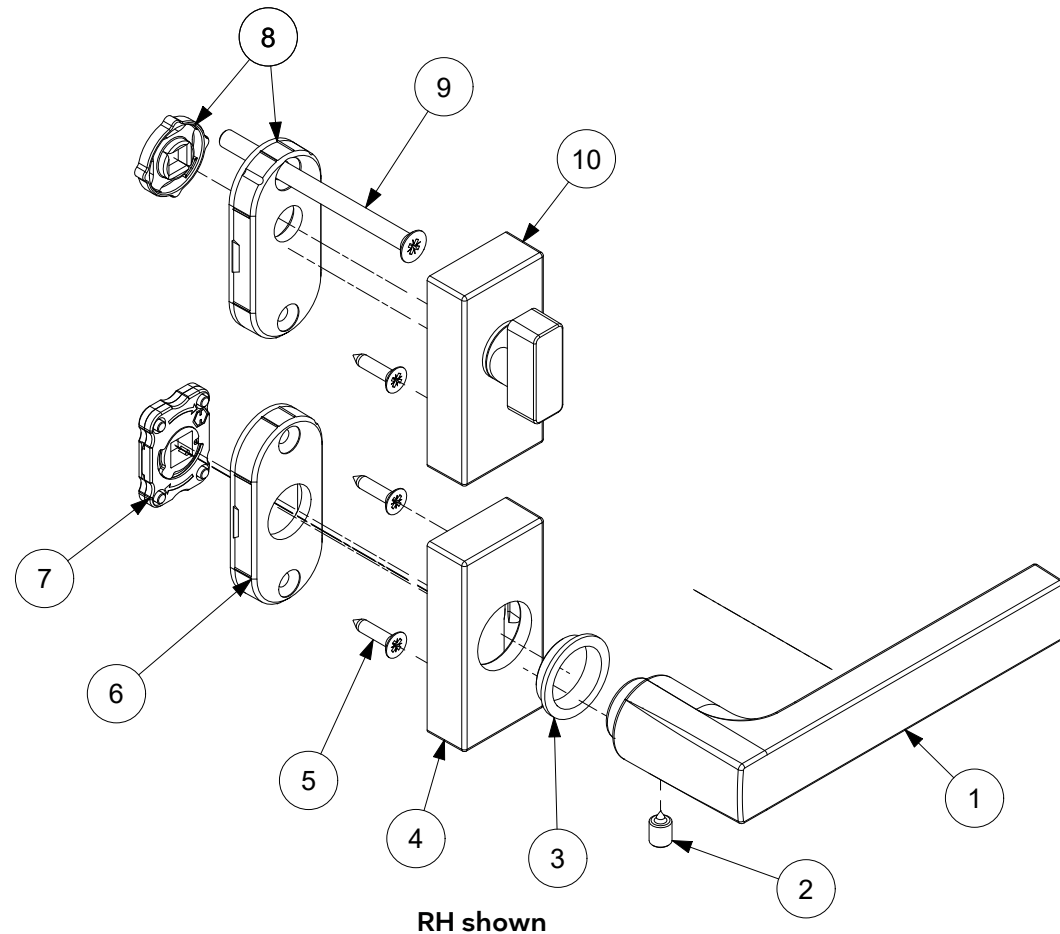


Minimalist Handle, Interior, Active, Keyed

Includes:

- (1) Lever handle
- (2) Set screw
- (3) Lever bushing
- (4) Lever rosette
- (5) Wood screws, qty 3
- (6) Lever rosette base
- (7) Spring cartridge
- (8) Thumb turn rosette base with washer
- (9) M5 x 70 machine screw
- (9) M5 x 60 machine screw
- (10) Thumb turn rosette assembly

LH Outswing Panel uses LH PN RH Outswing Panel uses RH PN		
Color	LH PN	RH PN
Matte Black	11870008	11870001
Satin Nickel PVD	11870010	11870002
Oil Rubbed Bronze PVD	11870012	11870004
Dark Bronze	11870014	11870006

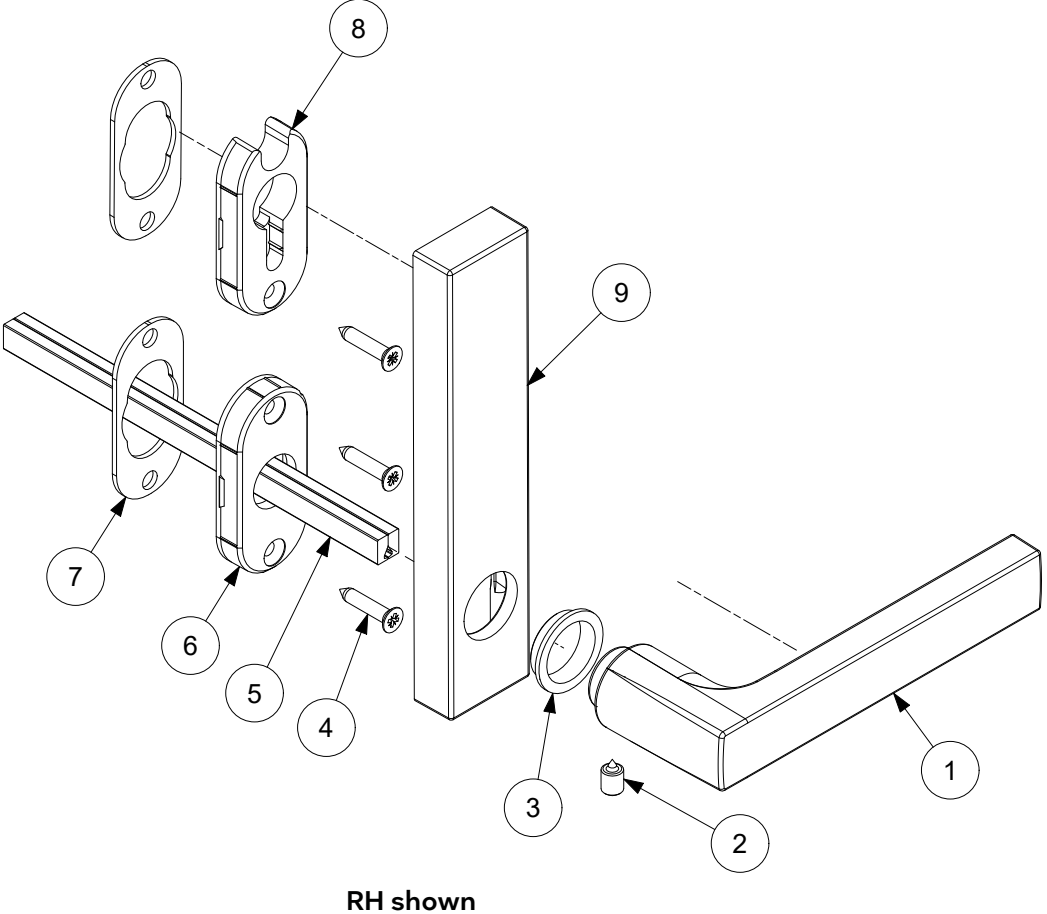


Minimalist Handle, Exterior, Active, Non-Keyed

Includes:

- (1) Lever handle
 - (2) Set screw
 - (3) Lever bushing
 - (4) Wood screws, qty 3
 - (5) Split spindle, 2 1/4" doors
 - (5) Split spindle, 1 3/4" doors
 - (6) Lever rosette base with gasket
 - (7) Gasket, rosette base, qty 2
 - (8) Cylinder rosette base with gasket
 - (9) Backplate, exterior, non-keyed
- Installation instruction

LH Outswing Panel uses RH PN RH Outswing Panel uses LH PN		
Color	LH PN	RH PN
Matte Black	11870024	11870017
Satin Nickel PVD	11870026	11870018
Oil Rubbed Bronze PVD	11870028	11870020
Dark Bronze	11870030	11870022

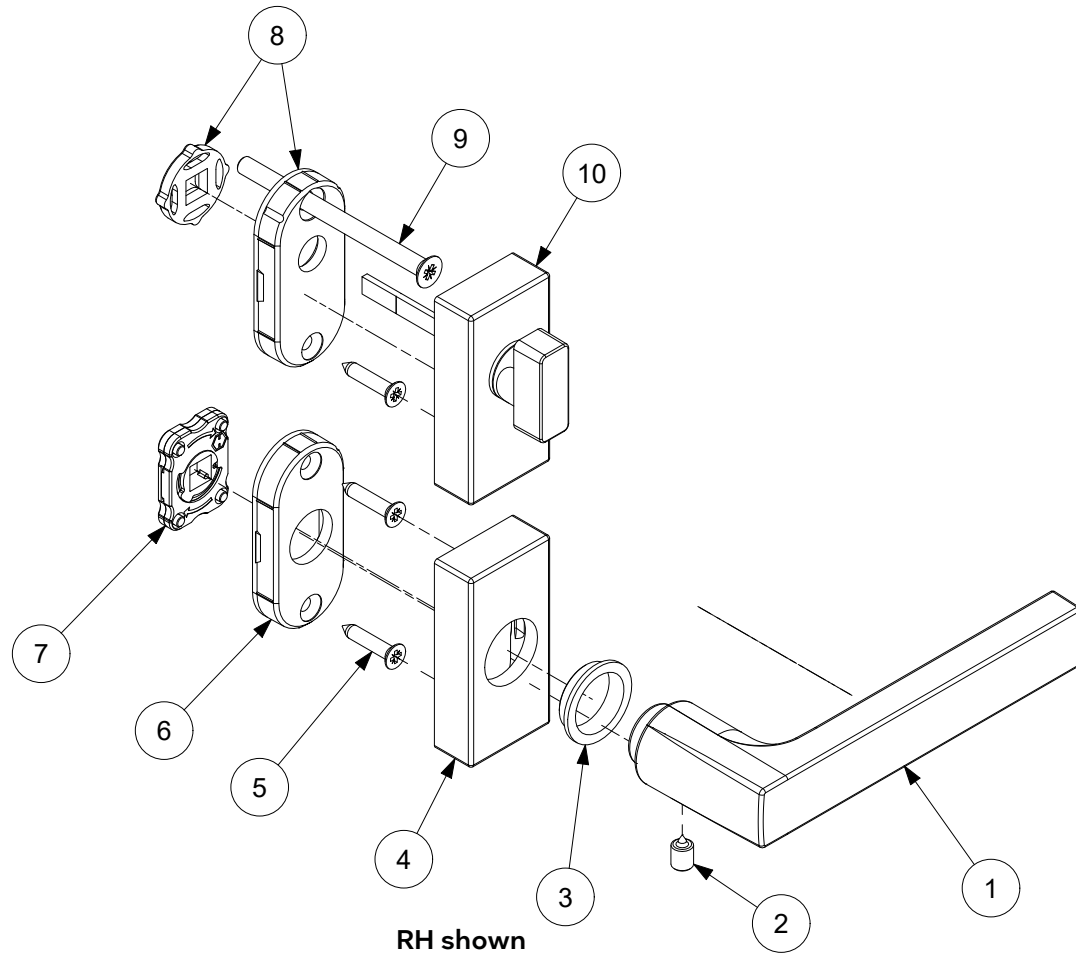


Minimalist Handle, Interior, Active, Non-Keyed

Includes:

- (1) Lever handle
- (2) Set screw
- (3) Lever bushing
- (4) Lever rosette
- (5) Wood screws, qty 3
- (6) Lever rosette base
- (7) Spring cartridge
- (8) Thumb turn rosette base with washer
- (9) M5 x 70 machine screw
- (9) M5 x 60 machine screw
- (10) Thumb turn rosette assembly

LH Outswing Panel uses LH PN RH Outswing Panel uses RH PN		
Color	LH PN	RH PN
Matte Black	11870056	11870048
Satin Nickel PVD	11870058	11870050
Oil Rubbed Bronze PVD	11870060	11870052
Dark Bronze	11870062	11870054

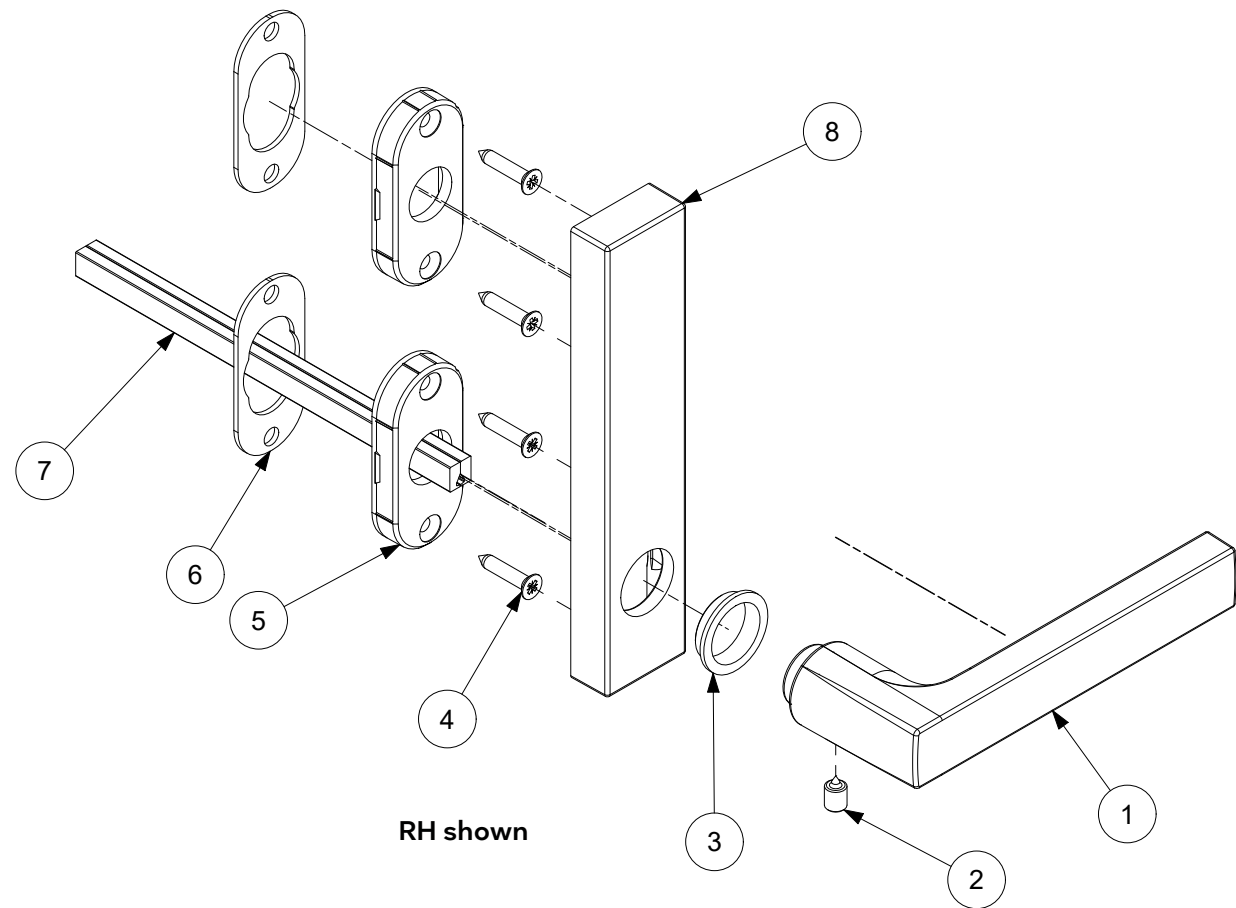


Minimalist Handle, Exterior, Inactive/Dummy

Includes:

- (1) Lever handle
 - (2) Set screw
 - (3) Lever bushing
 - (4) Wood screws, qty 4
 - (5) Lever rosette base, qty 2
 - (6) Lever rosette gasket, qty 2
 - (7) Split spindle, 2 1/4" Doors
 - (7) Split spindle, 1 3/4" Doors
 - (8) Backplate, escutcheon, non-keyed
- Hex wrench
Installation instruction

LH Outswing Panel uses RH PN RH Outswing Panel uses LH PN		
Color	LH PN	RH PN
Matte Black	11870072	11870064
Satin Nickel PVD	11870074	11870066
Oil Rubbed Bronze PVD	11870076	11870069
Dark Bronze	11870078	11870071

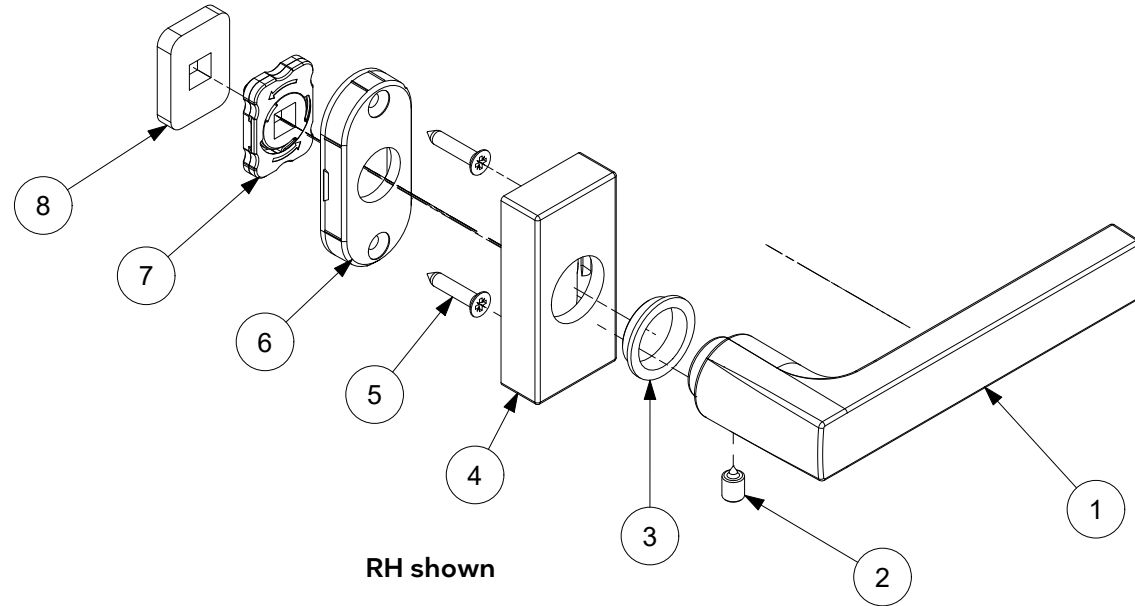


Minimalist Handle, Interior, Inactive/Dummy

Includes:

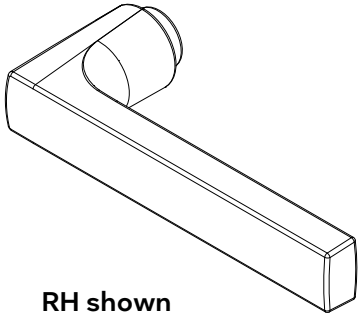
- (1) Lever handle
 - (2) Set screw
 - (3) Lever bushing
 - (4) Lever rosette
 - (5) Wood screws, qty 2
 - (6) Lever rosette base
 - (7) Spring cartridge
 - (8) Fixing plate
- Installation instruction
Hex wrench

LH Outswing Panel uses LH PN RH Outswing Panel uses RH PN		
Color	LH PN	RH PN
Matte Black	11870088	11870081
Satin Nickel PVD	11870090	11870082
Oil Rubbed Bronze PVD	11870092	11870084
Dark Bronze	11870094	11870086



Lever Handle

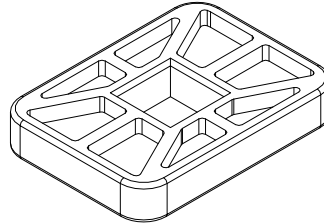
Color	LH PN	RH PN
Matte Black	11869951	11869950
Satin Nickel PVD	11869953	11869952
Oil Rubbed Bronze PVD	11869955	11869954
Dark Bronze	11869957	11869956



RH shown

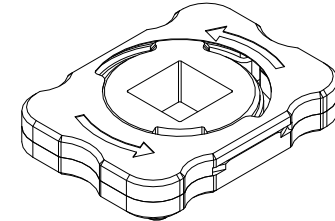
Fixing Plate, Dummy

PN
11869978



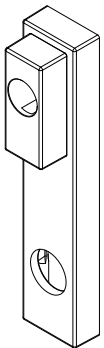
Spring Cartridge

PN
11869979



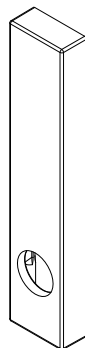
Backplate, Exterior, Keyed

Color	PN
Matte Black	11869960
Satin Nickel PVD	11869961
Oil Rubbed Bronze PVD	11869962
Dark Bronze	11869963



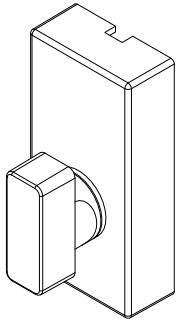
Backplate, Exterior, Non-Keyed

Color	PN
Matte Black	11869964
Satin Nickel PVD	11869965
Oil Rubbed Bronze PVD	11869966
Dark Bronze	11869967



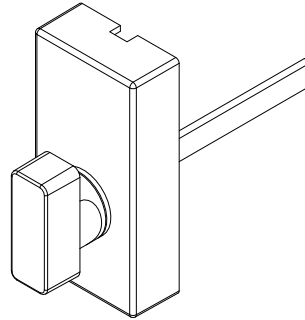
Thumb Turn Rosette Assembly, Keyed

Color	PN
Matte Black	11869972
Satin Nickel PVD	11869973
Oil Rubbed Bronze PVD	11869974
Dark Bronze	11869975



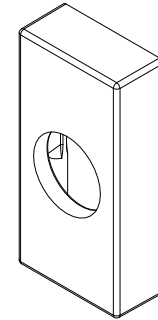
Thumb Turn Rosette Assembly, Non-Keyed

Color	PN
Matte Black	11869985
Satin Nickel PVD	11869986
Oil Rubbed Bronze PVD	11869988
Dark Bronze	11869987



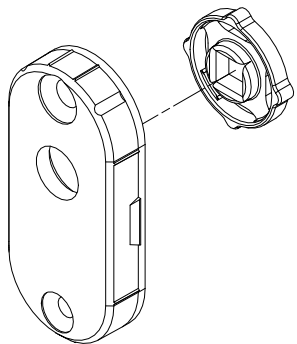
Handle Rosette

Color	PN
Matte Black	11869968
Satin Nickel PVD	11869969
Oil Rubbed Bronze PVD	11869970
Dark Bronze	11869971



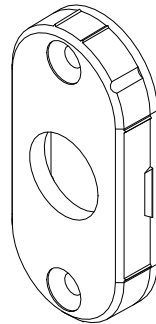
Thumb Turn Rosette Base and Washer

PN
11869983



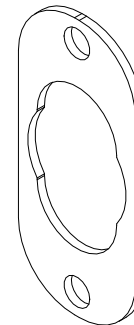
Handle Rosette Base

PN
11869981



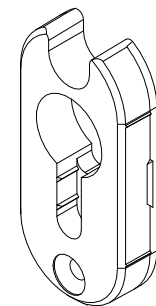
Gasket, Rosette Base

PN
11869980



Cylinder Rosette Base

PN
11869982

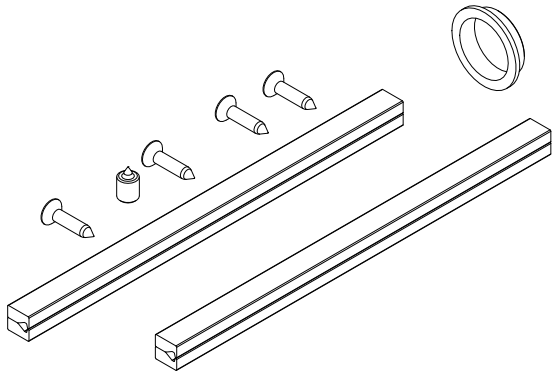


Field Service Parts Kit, Exterior

Includes:

- 4 - 3.9x19MM screw
- 1 - Set screw
- 1 - 8 x 130 mm spindle
- 1 - 8 x 140 mm spindle
- 1 - Lever bushing
- 1 - Hex wrench

PN
11844035

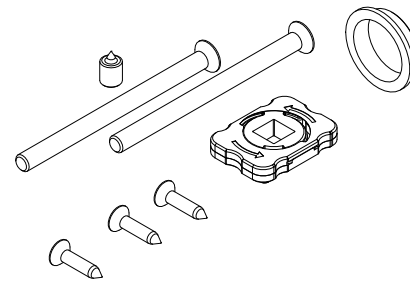


Field Service Parts Kit, Interior

Includes:

- 1 - Set screw
- 1 - M5 x 60 machine screw
- 1 - M5 x 70 machine screw
- 3 - 3.9 x 19 mm screw
- 1 - Spring cartridge
- 1 - Lever bushing
- 1 - Hex wrench

PN
11844036



Keyed Cylinder

(Schalge "C" keyway)

For service replacement only.

Includes:

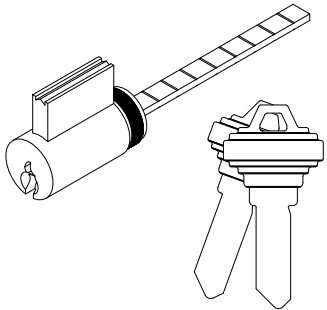
2 - keys

NOTE: For Keyed Alike orders, use program C87P2

Satin Nickel PVD and Matte Black use Chrome Face

Oil Rubbed Bronze PVD and Dark Bronze use Brass Face

Minimalist Handle	
Color	PN
Brass Face	10148228
Chrome Face	10833005

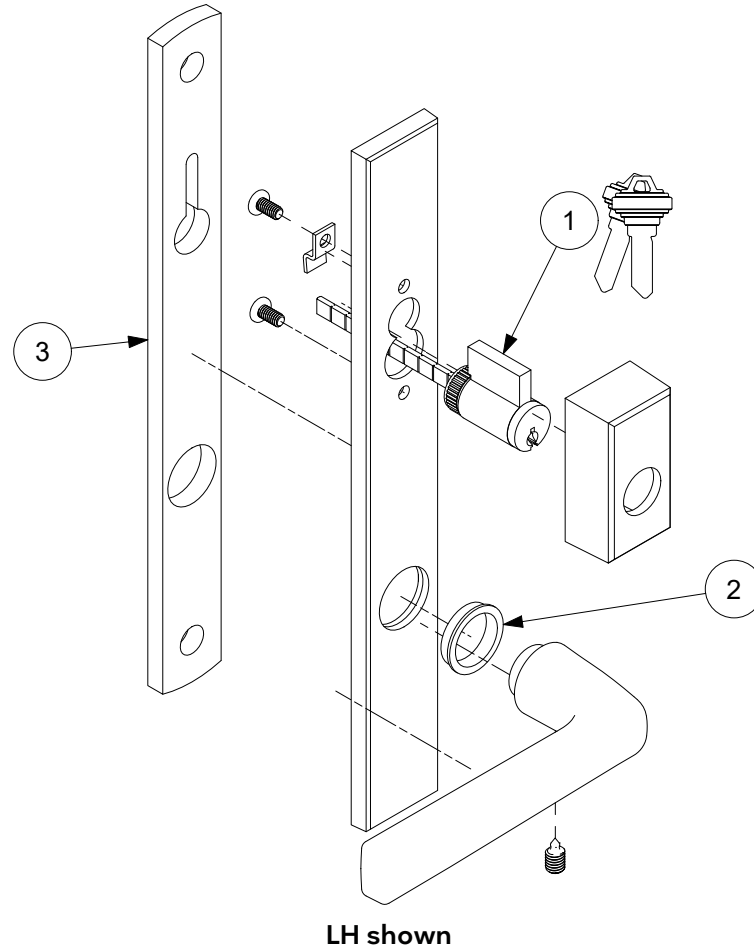


Narrow Contemporary Handle, Exterior, Active, Keyed

Includes:

- Lever
- Escutcheon
- (1) keyed cylinder (includes 2 keys)
- (2) Lever bushing
- (3) Escutcheon gasket
- Set screw
- Hex wrench

LH Outswing Panel uses RH PN RH Outswing Panel uses LH PN		
Color	LH PN	RH PN
Matte Black	11871510	11871511
Satin Nickel PVD	11871512	11871513
Oil Rubbed Bronze PVD	11871514	11871515
Dark Bronze	11871516	11871517

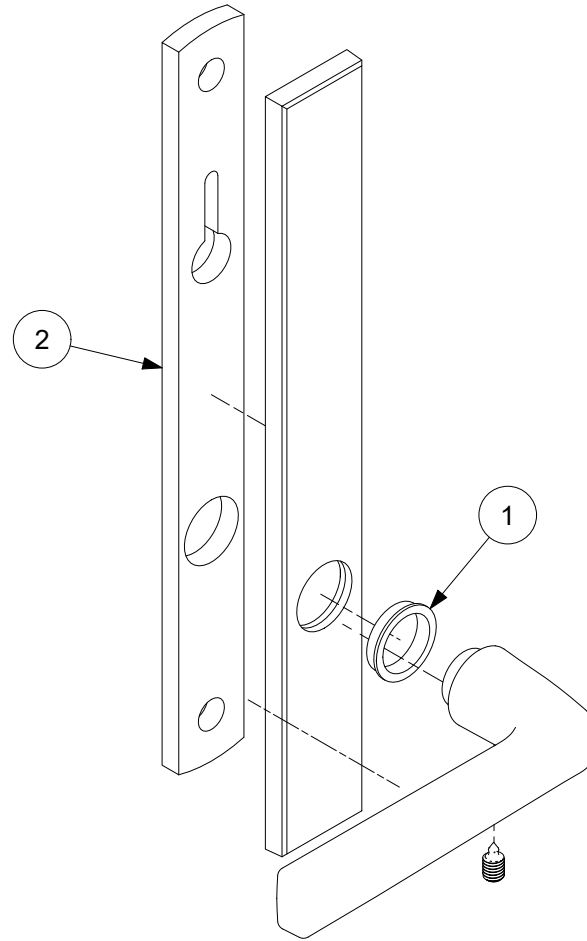


Narrow Contemporary Handle, Exterior, Inactive/Dummy

Includes:

- Lever
- (1) Lever bushing
- Escutcheon
- (2) Escutcheon gasket
- Set screw
- Hex wrench

LH Outswing Panel uses RH PN RH Outswing Panel uses LH PN		
Color	LH PN	RH PN
Matte Black	11871530	11871531
Satin Nickel PVD	11871532	11871533
Oil Rubbed Bronze PVD	11871534	11871535
Dark Bronze	11871536	11871537



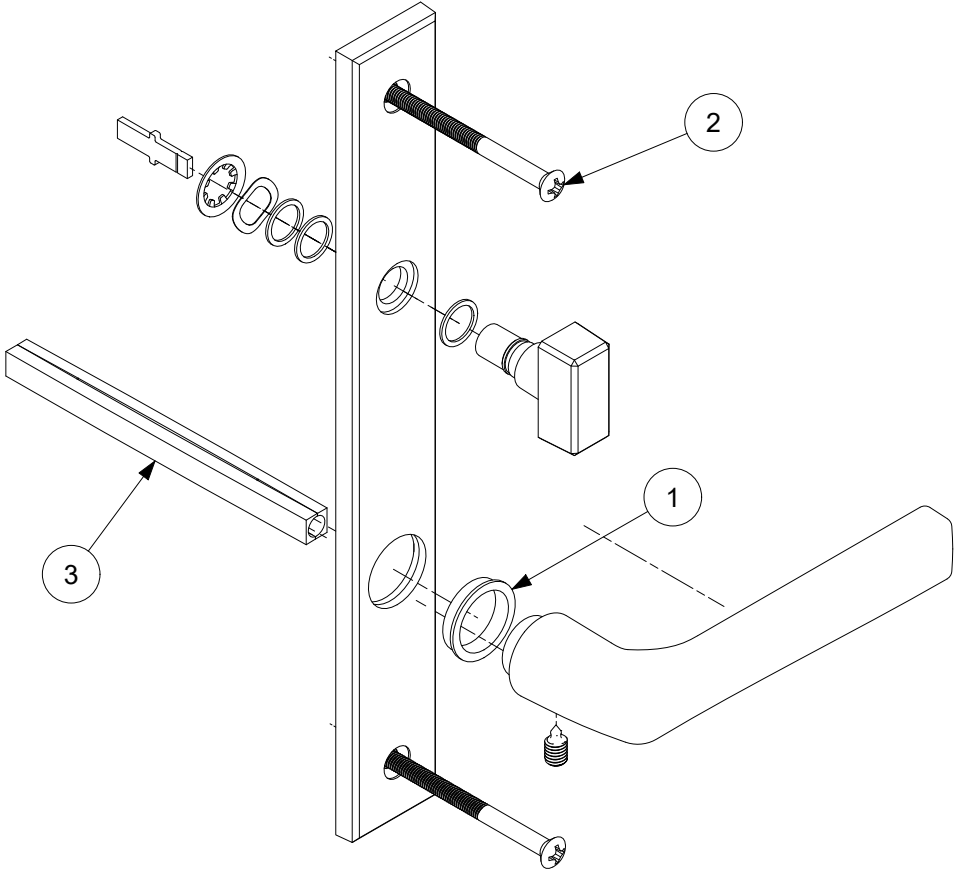
LH shown

Narrow Contemporary Handle, Interior, Active

Includes:

- Lever
- (1) Lever bushing
- Escutcheon with thumb turn
- (2) Machine screw
- Set screw
- (3) Split spindle kit
- Hex wrench
- Installation instruction

LH Outswing Panel uses LH PN RH Outswing Panel uses RH PN		
Color	LH PN	RH PN
Matte Black	11871520	11871521
Satin Nickel PVD	11871522	11871523
Oil Rubbed Bronze PVD	11871524	11871525
Dark Bronze	11871526	11871527



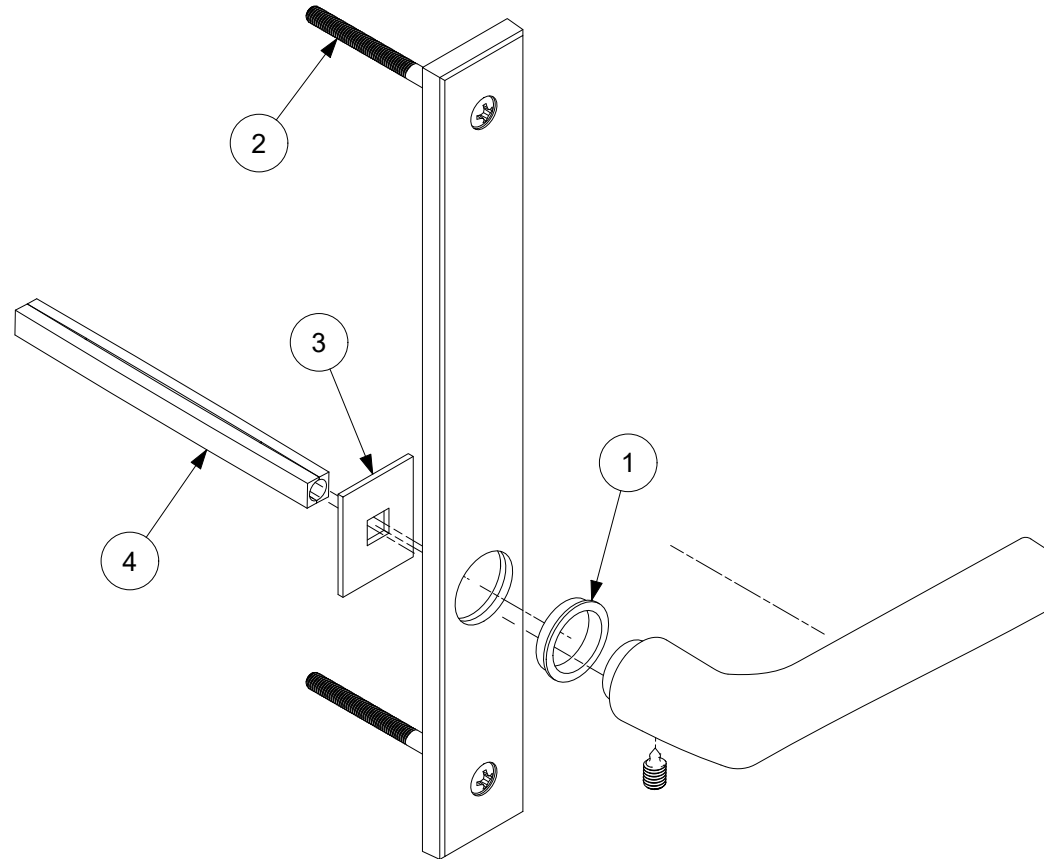
RH shown

Narrow Contemporary Handle, Interior, Inactive/Dummy

Includes:

- Lever
- (1) Lever bushing
- Escutcheon
- (2) Machine screws, qty 2
- (3) Locking plate
- (4) Split spindle kit
- Set screw
- Hex wrench
- Installation instruction

LH Outswing Panel uses LH PN RH Outswing Panel uses RH PN		
Color	LH PN	RH PN
Matte Black	11871540	11871541
Satin Nickel PVD	11871542	11871543
Oil Rubbed Bronze PVD	11871544	11871545
Dark Bronze	11871546	11871547



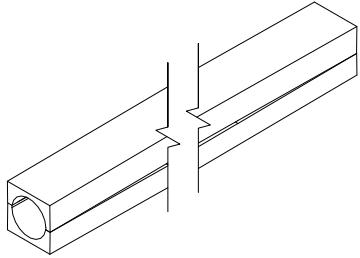
RH shown

Spindle Kit

Includes:

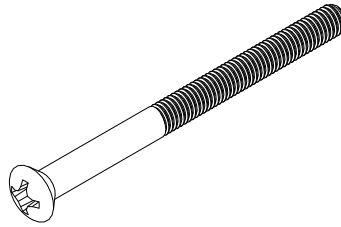
- 1 - 2pc spindle
- 2 - Set screws

PN
11844037



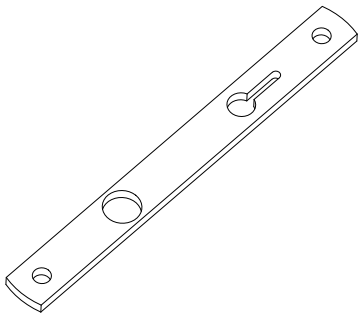
Escutcheon Mounting Screws

Color	PN
Matte Black	11800225
Satin Nickel PVD	11800226
Oil Rubbed Bronze PVD	11800228
Dark Bronze	11800227



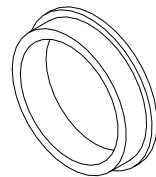
Escutcheon Gasket

PN
11844046



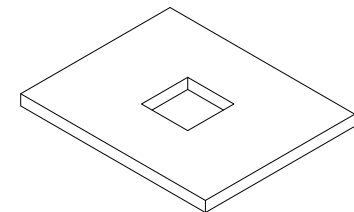
Lever Bushing

PN
11844045



Locking Plate

PN
11844047



Keyed Cylinder

(Schalge "C" keyway)

For service replacement only.

Includes:

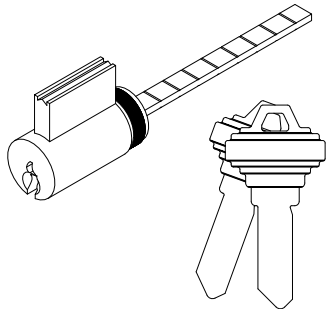
2 - Keys

NOTE: For Keyed Alike orders, use program C87P2

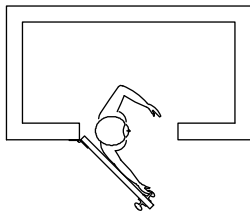
Satin Nickel PVD and Matte Black use Chrome Face

Oil Rubbed Bronze PVD and Dark Bronze use Brass Face

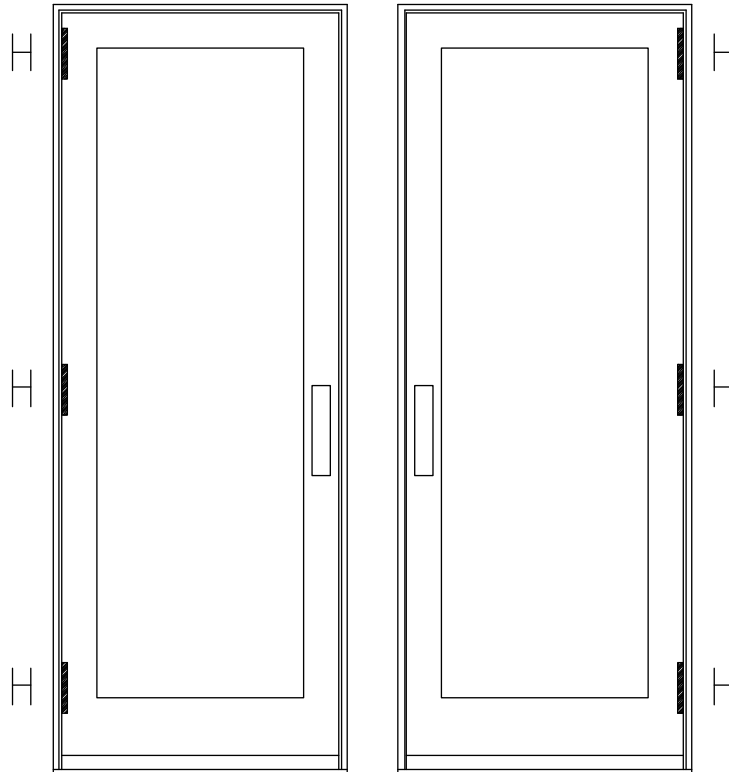
Narrow Contemporary Handle	
Color	PN
Brass Face	10148223
Chrome Face	10833000



**NOTE: Always view units
from the exterior for handing.
H=Hinge location**

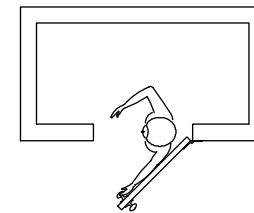


RH Outswing



X-RH Outswing
This panel uses the
right hand hinge

X-LH Outswing
This panel uses the
left hand hinge



LH Outswing

Adjustable Hinge Package, G2

NOTE: Packages may include extra screws that are not used in certain applications.

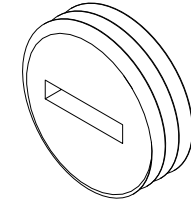
Includes:

- 1 - Adjustable hinge
- 4 - #8 x 1 1/2" Phillips flat head wood screws (panel)
- 5 - #10-16 x 7/8" Phillips full thread, flat head screw (jamb)
- 5 - #10 x 1" Type A-17 full thread screw (jamb, stationary stile)
- 1 - #10-13 x 2 1/2" Type A/TF 2/3 thread screw package (jamb). Use 1 screw per hinge.

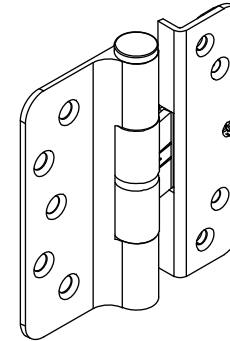
NOTE: Individual screws are available if needed.

Adjustment Cover, Adjustable Hinge

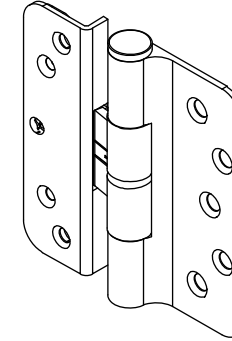
PN
11844039



Adjustable Hinge Package, G2 - Color and Part Number			Matching Screw Color
Hinge Color	LH PN	RH PN	
Satin Taupe (TP)	02101260	02101261	TP
Goldtone (GT)	02101246	02101247	GT
Silver Frost (SF)	02101262	02101263	Stainless Steel
Dark Bronze (DKBZ)	02101244	02101245	DKBZ
Antique Brass (AB)	02101240	02101241	DKBZ
White (WH)	02101266	02101267	WH
Satin Chrome (SC)	02101256	02101257	Stainless Steel
Oil Rubbed Bronze (ORBZ)	02101250	02101251	DKBZ
Oil Rubbed Bronze PVD (ORBZ PVD)	02101252	02101253	DKBZ
Brass PVD (BS PVD)	02101242	02101243	BS PVD
Satin Nickel (SN) PVD	02101258	02101259	Stainless Steel
Polished Chrome (PC)	02101254	02101255	Stainless Steel
Matte Black (MBK)	02101248	02101249	MBK



LH Hinge



RH Hinge

Individual Screw Description	Color and Part Number						
	TP	GT	WH	DKBZ	BS PVD	Stainless Steel	MBK
#8 x 1 1/2" Phillips flat head wood screw (panel). 4 per hinge.	11865177	11865172	11865173	02058013	11865176	11865175	11865178
#10-16 x 7/8" Phillips flat head wood screw (jamb or stationary stile). 5 per hinge.	11800286	11800282	11800283	11800281	11800285	11800284	11800287
#10-16 x 1" Type A-17 full thread screw	11800985	11800981	11800982	11800980	11800984	11800987	11800986
#10-13 x 2 1/2" Type A/TF 2/3 thread screw package* (jamb). Use 1 screw per hinge. Part numbers for these screws are sold in packages of 4 screws and includes 1 - 5/32" Allen wrench. (Long Hinge Screw Package)	11800653	11800632	11800637	11800644	10148185	11800639	11800696

NOTE: To avoid damage, do not use on panels of Ultimate 3" Stile Doors.

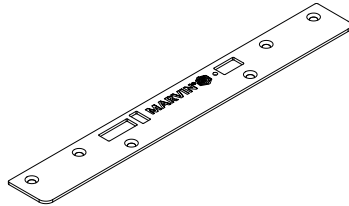
Cover Plate, Active Multi-Point Lock, 2 1/4"

LH Outswing uses LH PN RH Outswing uses RH PN		
Color	LH PN	RH PN
Antique Brass	11844020	11844021
Bright Brass PVD	11844022	11844023
Stainless Steel	11844024	11844025
Oil Rubbed Bronze PVD	11844026	11844027

Suggested Fasteners	
4 - #8-18 x 5/8" Type A/AB, full thread screw	
Color	PN
Dark Bronze	11800579
Brass	11800580
Stainless Steel	11806154

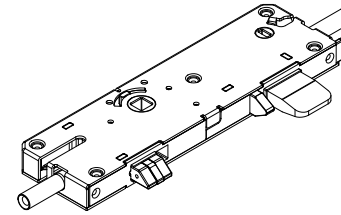
Suggested Fasteners	
2 - #8-18 x 1 1/2" Type A/AB, full thread screw	
Color	PN
Dark Bronze	02058013
Brass	11865176
Stainless Steel	11865175

NOTE: Dark Bronze screws are used on Antique Brass and Oil Rubbed Bronze PVD.



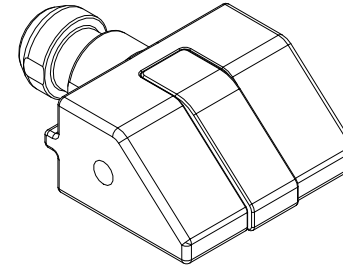
Gear Box (Multi-Point Lock), 35mm Active

PN
10501654



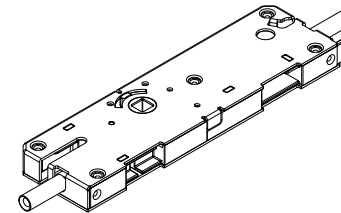
Latch Bolt

PN
10501929



Gear Box (Multi-Point Lock), 35mm Passive

PN
10501913



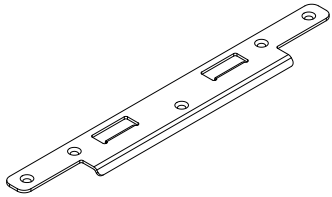
Panel Strike, Narrow, Multi-Point Lock

Used on Outswing

Color	PN
Antique Brass	11844009
Bright Brass PVD	11844010
Stainless Steel	11844011
Oil Rubbed Bronze PVD	11844012

Suggested Fasteners	
5 - #8-18 x 5/8" Type A/AB, full thread screw	
Color	PN
Dark Bronze	11800579
Brass	11800580
Stainless Steel	11806154

NOTE: Dark Bronze screws are used on Antique Brass and Oil Rubbed Bronze PVD.

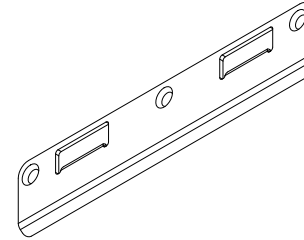


Frame Strike, Narrow, Multi-Point Lock

Used on 2 1/4" Panels

Color	PN
Antique Brass	11844000
Oil Rubbed Bronze PVD	11844003
Bright Brass PVD	11844001
Stainless Steel	11844002

Suggested Fasteners	
3 - #10-16 x 7/8" full thread undercut screw	
Color	PN
Dark Bronze	11800281
Brass	11800285
Stainless Steel	11800284



Sill Strike and Gasket Assembly

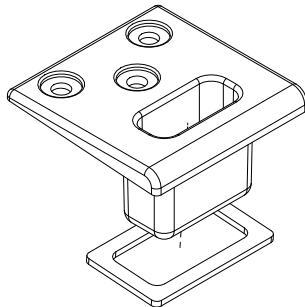
Used on 2 1/4" Panels

Includes:

- 1 - Strike
- 1 - Gasket

Color	PN
Ebony	11869934

Suggested Fasteners	
3 - #8 x 1/2" TORX, pan head full thread screw	
Color	PN
Ebony	11800224



Sill Strike and Gasket Assembly, IZ3

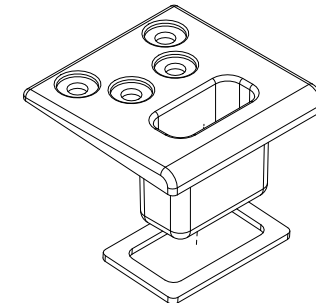
Used on IZ3 Panels

Includes:

- 1 - Strike
- 1 - Gasket

Color	PN
Ebony	11869936

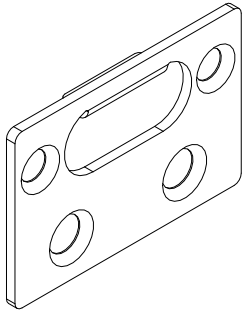
Suggested Fasteners	
4 - #8 x 1/2" TORX, pan head full thread screw	
Color	PN
Ebony	11800224



Strike Plate, Head Jamb

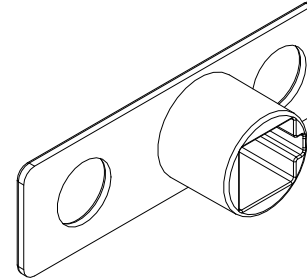
Used with 2 1/4" Panels

PN	Suggested Fasteners	PN
11869682	2 - #8-32 x 3/8" full thread machine screw	02058014



Shoot Bolt Sub Guide

PN
11869674

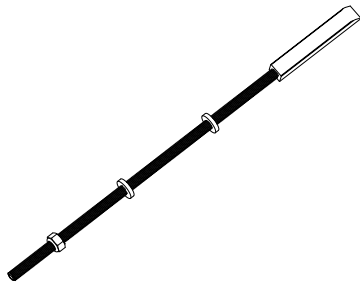


Shoot Bolt Sub Assembly

NOTE: If a special rough opening height is needed for the Top Locking Rod, please order using the following specifications:

1. State "Top Locking Rod Assembly".
2. Original order number/line number (if available)
3. Configuration
4. Rough opening

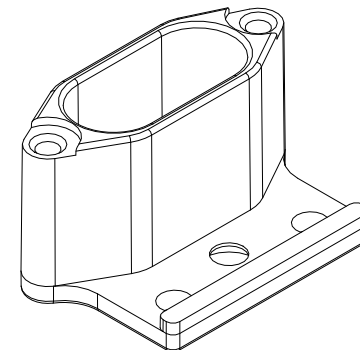
Multi Point Top Rod		
CN	Length	PN
6-6R	36 35/64"	05700210
6-8	39 3/64"	05700211
7-0	43 3/64"	05700212
8-0	55 3/64"	05700213
9-0	67 3/64"	05700214
10-0	79 3/64"	05700215
Multi Point Bottom Rod		
-	16 3/4"	11101742



Shoot Bolt Retainer, Head Jamb

Color	PN
Black	10501922

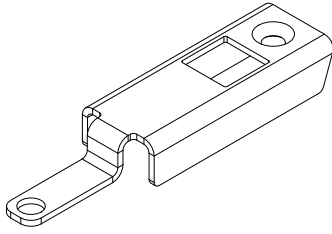
Suggested Fasteners	
1 - #8-18 x 5/8" Type A/AB, full thread screw	
Color	PN
Stainless Steel	11806154



Stile End Bracket

Length	PN
3"	10502073

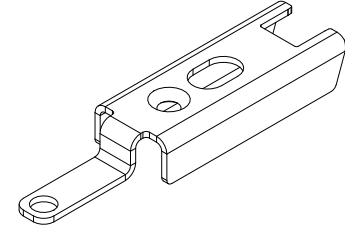
Suggested Fasteners	
2 - #8-18 x 1 1/4" Type AB, Phillips flat head screw	
Color	PN
Stainless Steel	11808118



Stationary Bracket Reinforcement

Length	PN
3"	10502070

Suggested Fasteners	
2 - #8-18 x 1 1/4" Type AB, Phillips flat head screw	
Color	PN
Stainless Steel	11808118

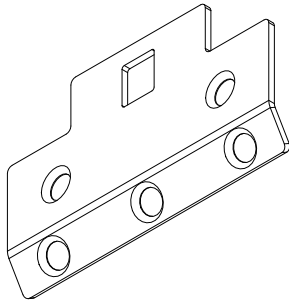


Header Bracket, Stationary

Used on 2 1/4" panels

PN
11841128

Suggested Fasteners	
3 - #10-16 x 7/8" full thread undercut screw	
Color	PN
Stainless Steel	11800284

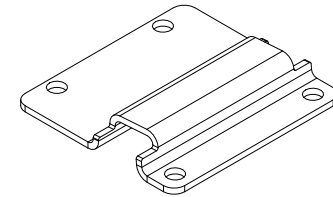


Sill Bracket, Stationary

Used on 2 1/4" panels

PN
11841022

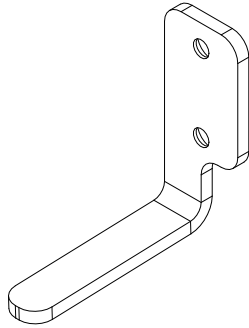
Suggested Fasteners	
4 - #8 x 1/2" TORX, pan head full thread screw	
Color	PN
Stainless Steel	11800147



Panel to Sill Bracket

LH PN	RH PN
11841025	11841024

Suggested Fasteners	
1 - #8-15 x 3" Type A/TF, Phillips, 2/3 thread screw	
Color	PN
Stainless Steel	11800903

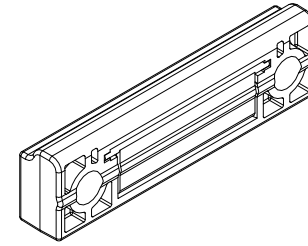


LH shown

Sill Drain Assembly

Color	PN
Ebony	10840264

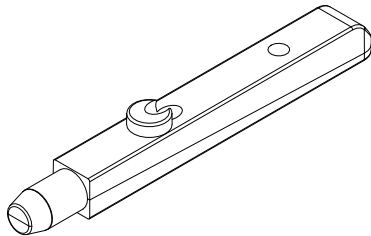
Suggested Fasteners	
2 - #8-18 x 1/2" Torx, full thread, pan head screw	
Color	PN
Ebony	11800224



Stationary Bolt, Stile

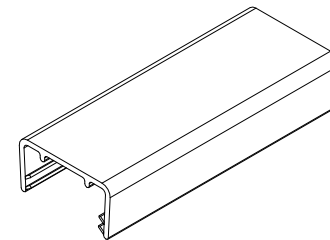
Color	PN
Black	10899024

Suggested Fasteners	
1 - #8-15 x 3" Type A/TF, Phillips, 2/3 thread screw	
Color	PN
Matte Black	11800918



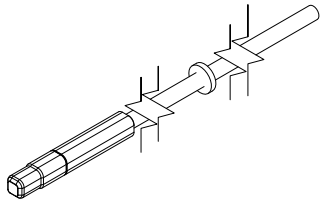
Stile End Filler

Length	PN
2.188"	16220002
3.938"	16220003



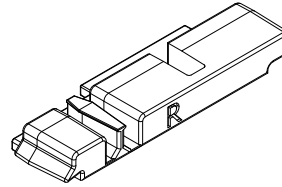
Shoot Bolt Sub Assembly, Accessibility Sill

Description	Length	PN
Flush Bolt	8 25/32" (223)	10501948
Bottom Multi-Point	33 13/32" (849)	10501995



Stile End Plug, 3", Accessibility Sill

LH PN	RH PN
11869944	11869945

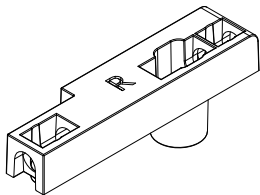


RH shown

Shoot Bolt Guide, OXXO, Accessibility Sill

Color	LH PN	RH PN
Black	10501998	10501997

Suggested Fasteners	
2 - #8-18 x 1 1/4", Type AB, Phillips, flat head screw	
Color	PN
Stainless Steel	11808118



RH shown

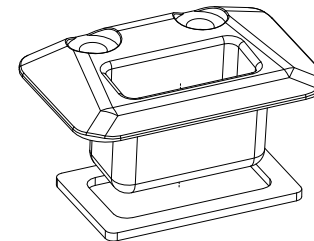
Sill Strike and Gasket Assembly, Accessibility Sill

Includes:

- 1 - Strike
- 1 - Gasket

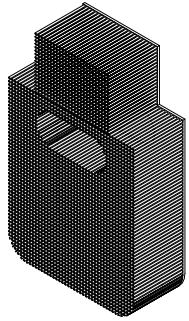
Color	PN
Black	11869697

Suggested Fasteners	
2 - #8 x 1/2" TORX, pan head full thread screw	
Color	PN
Ebony	11800224



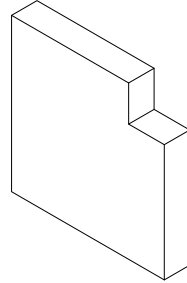
Dust Block, OXXO, Accessibility Sill

PN
10500398



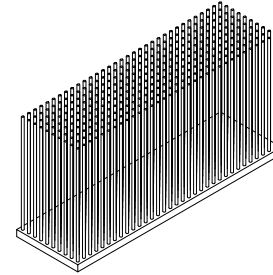
Sill Gasket, Accessibility Sill

PN
05700009



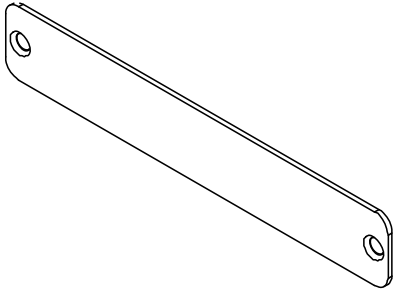
Sill Key Fuzzy, Accessibility Sill

PN
10501143



Cover, Transmitter

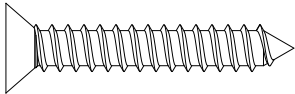
Color	PN
Brushed Stainless Steel	10501822



#8-18 x 1" Type AB, Full Thread

Used for Transmitter Cover
Need quantity of 2 for each part

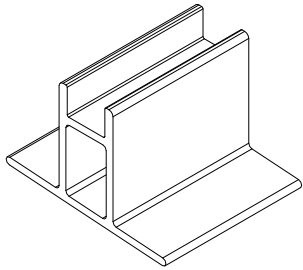
PN
11800769



Stationary Block, Exterior Sill

A3638

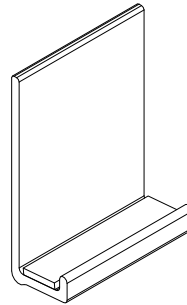
Length	Panel Width	PN
5" (127)	Under 18 1/2"	18903809
9" (230)	18 1/2" and larger	18903808



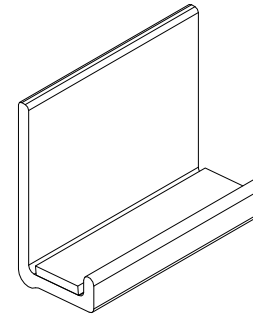
Aluminum Parts

Ordering specifications (use all that apply):

1. Original order number/line number (if available)
2. Call number or rough opening
3. Profile
4. Length
5. Handing
6. Color/finish



A3727
Sill Liner

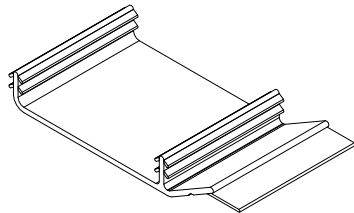


A03955
Sill Liner, Accessibility Sill

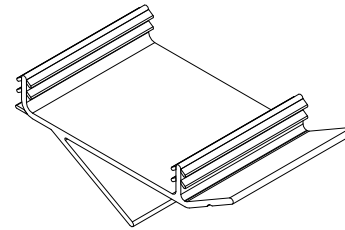
Vinyl Parts

Ordering specifications (use all that apply):

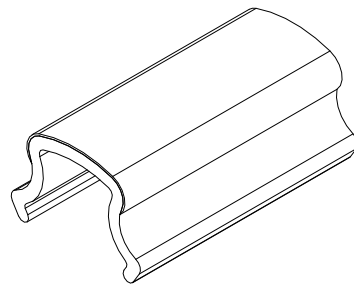
1. Original order number/line number (if available)
2. Profile
3. Length
4. Handing
5. Color



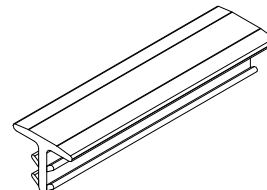
V3224
Exterior Vinyl Frame Cover



V3123
Exterior Cover, Panel Retainer



V3120
Interior Sill Filler

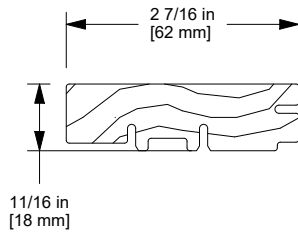


V03427
Kerf Filler, Accessibility Sill

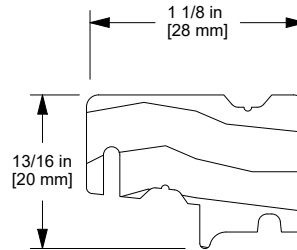
Wood Parts

Ordering specifications (use all that apply):

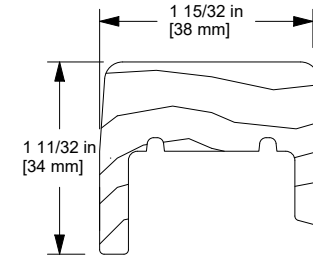
1. Original order number/line number (if available)
2. Profile
3. Length
4. Handing
5. Species/Finish



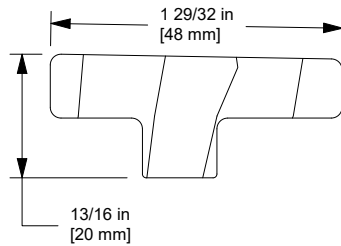
W13541
Parting Stop



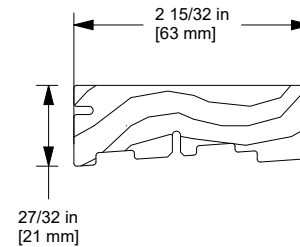
W13639
Astragal Base



W13631
Astragal Cap, Square



W13759
Sill Cover, 4 9/16", Outswing

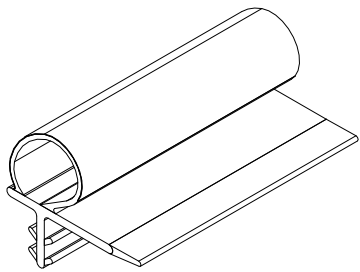


W13567
Sill Cover, Transom

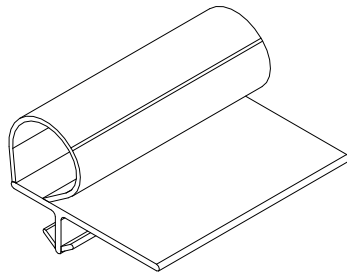
Weather Strip

Ordering specifications (use all that apply):

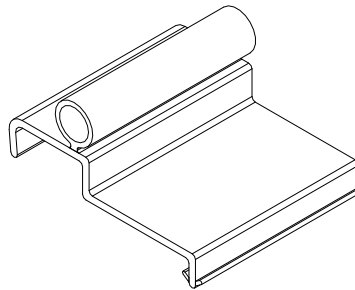
1. Original order number/line number (if available)
2. Profile
3. Length
4. Handing
5. Color



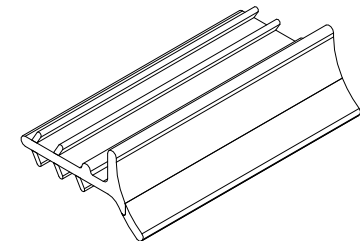
V3208
Astragal Base Weather Strip



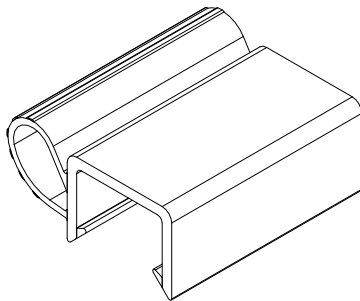
V3117
Parting Stop Weather Strip



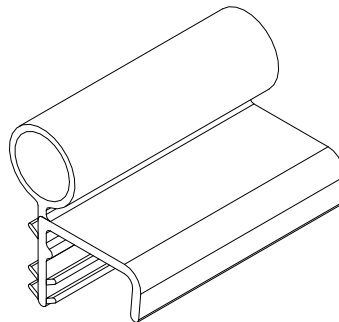
V3133
Top Rail Weather Strip
Used on Transom



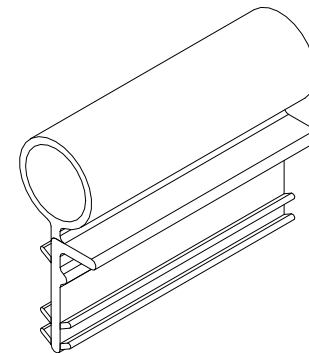
V3242
Inactive Weather Strip



V2026
Sill Weather Strip



V3241
Panel Cover Weather Strip

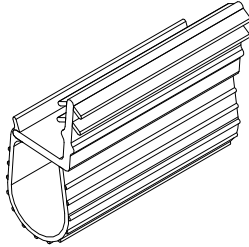


V3243
Stile Weather Strip

Bottom Rail Weather Strip, Exterior Panel, Accessibility Sill

V03405

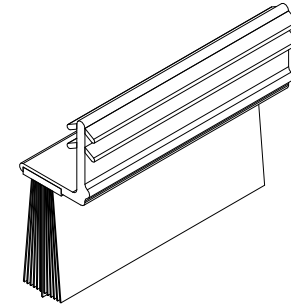
Length	PN
37 31/64" (952)	16229530
61 31/64" (1562)	16229550

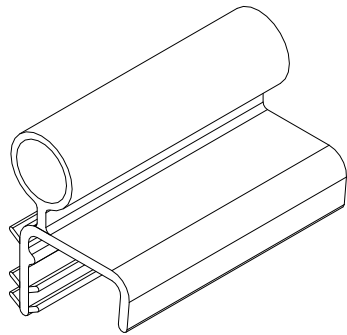


Bottom Rail Pile Weather Strip Accessibility Sill

V03381

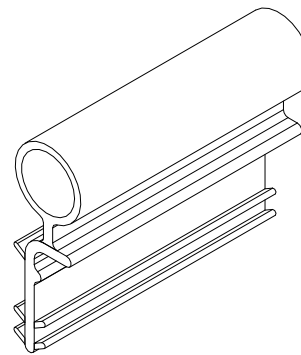
Length	PN
61 5/16" (1558)	16224750





**Panel Cover Weather Strip,
V3125**

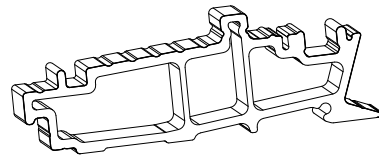
No longer available, replace
with V3241.



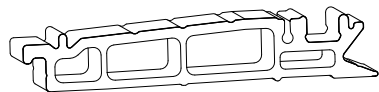
Stile Weather Strip, V3161

No longer available, replace with
V3243.

Refer to Configured Parts in OMS for sill replacement.



Performance Sill - 4 9/16"
F2055



Accessibility Sill - 4 9/16"
F2057

Replacement Panel Bracket Kits, Outswing

Description	Description	PN
5 Piece Kit	5 - Field service brackets, Outswing 10 - #8-18x1 1/2" Type A/AB, full thread screw 5 - #10-12 x 3", 2/3 thread screw 2 - Stationary panel alignment part 2 - #8-18x1" Type AB, full thread screw 1 - UOFD UIFD Stationary Panel Service Instruction	11102263
7 Piece Kit	7 - Field service brackets, Outswing 14 - #8-18x1 1/2" Type A/AB, full thread screw 7 - #10-12 x 3", 2/3 thread screw 2 - Stationary panel alignment part 2 - #8-18x1" Type AB, full thread screw 1 - UOFD UIFD Stationary Panel Service Instruction	11102264

