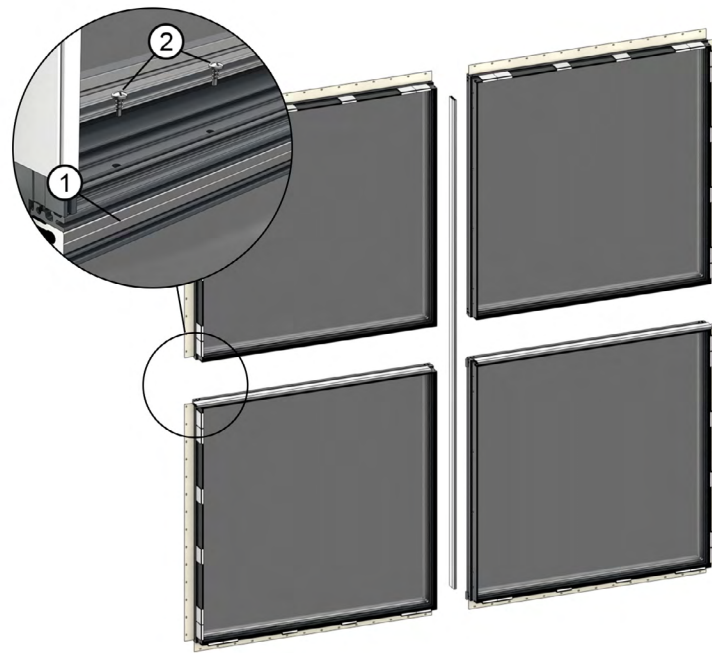


**HORIZONTAL MULLS:** The mull pin is attached to the upper unit (1). Use the same procedures as outlined previously.



**MULTIPLE HIGH/WIDE MULLS:** A continuous mull pin (2) must be applied to the mull with the shortest span. Non-continuous pins will be factory installed (1).



**FINAL INSTALLATION DETAILS:** Install frame cover supports and covers (1), lock cover (2), lock lever (3), hardware cover (4), crank (5), and screens (6).

# Modern Quickstart Guide

## Casement/Awning/Picture



### Installation and Mulling Instruction

19916061 - 2023-09-12

#### INTRODUCTION

This instruction is a reference tool for installers to quickly summarize the major steps of an installation and to provide links to the full detailed instructions, videos and other tools. The installer **MUST** read the full instructions in their entirety and rely on that document for all warnings, procedures, and standards.

Download a bar code scanner or QR Code scanner for your mobile device and scan the QR code to open a PDF version of the full instructions. Some sections also have QR codes that link to animated videos and other resources.

**WARNING!** DO NOT lift or move without proper equipment. Read, understand, and follow all lift equipment manufacturers' instructions and safety information.

#### IMPORTANT LINKS

Full Instructions: [https://www.marvin.com/download?Pub\\_ID=4908](https://www.marvin.com/download?Pub_ID=4908)

Rough Opening: [https://www.marvin.com/download?pub\\_id=366](https://www.marvin.com/download?pub_id=366)

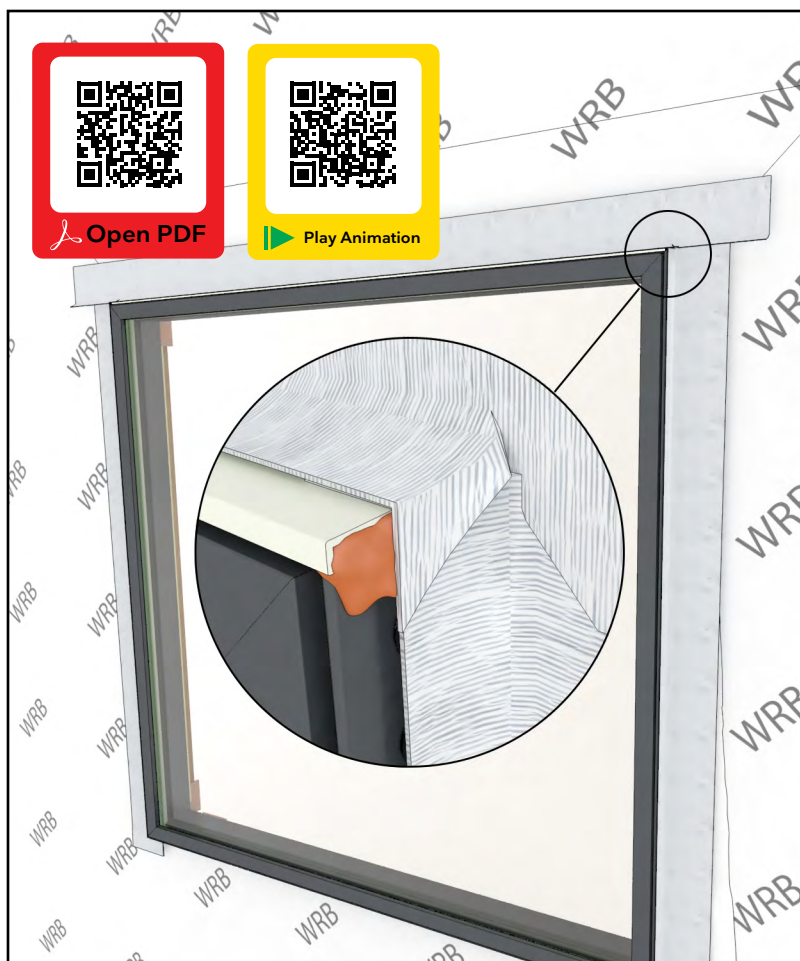
Casement Animations:

<https://www3.marvin.com/download?vid=158>

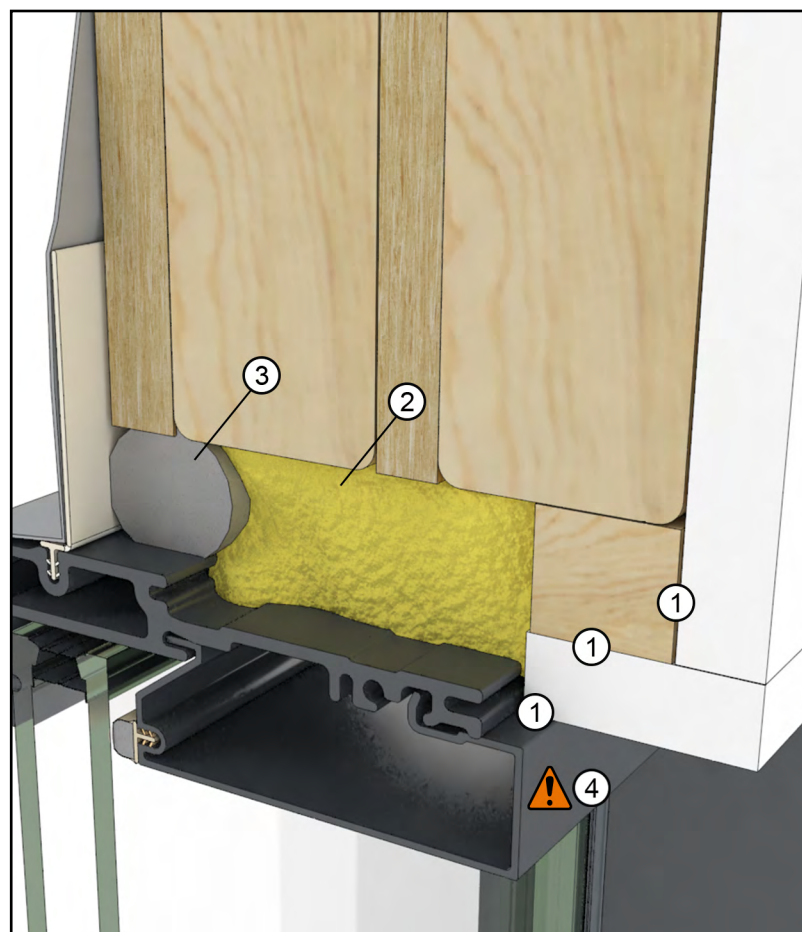


Open PDF

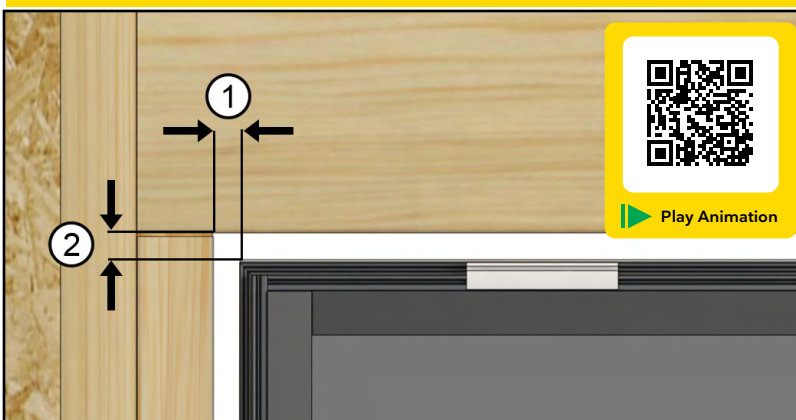
### Installing a Single Wide Assembly



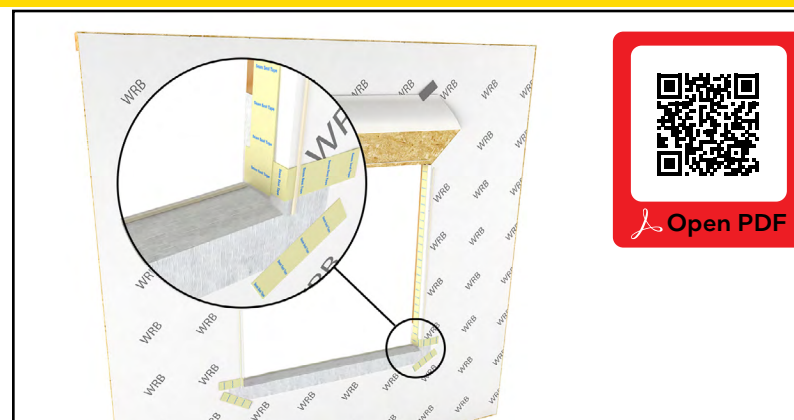
**FLASH THE INSTALLATION:** Install a rigid head flash, flash the jambs and head jamb and seal appropriately to your wall condition.



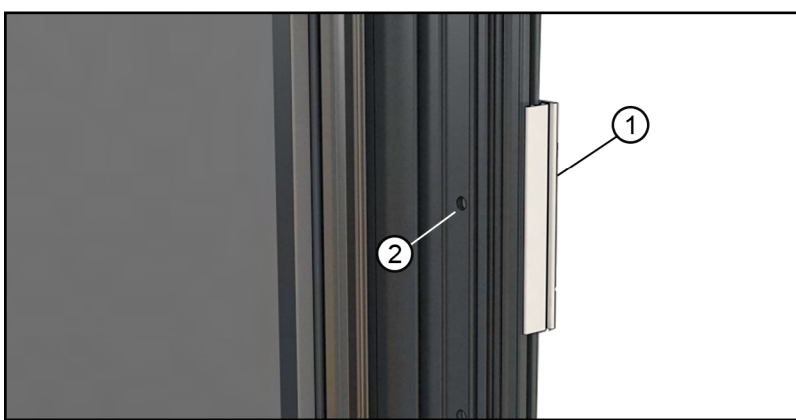
**INSULATE THE OPENING.** Backer rod (3) Loose fill or low compression foam (2). Sealant (1). **DO NOT** install drywall over the interior frame cover (4). This will hinder the ability to remove the cover later.



**STEP 1** Rough openings may be up to 3/4" wider than the the frame width (1) and height (2).



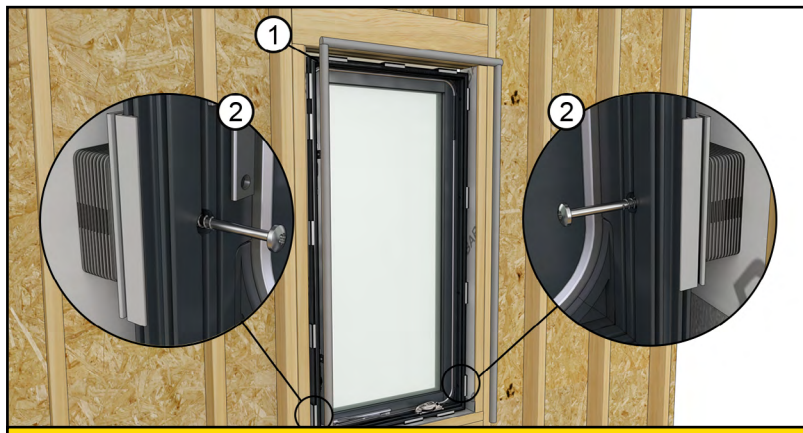
**STEP 2** Prepare the opening. Refer to the rough opening preparation instructions found online.



**STEP 3** Shim blocks (1) are installed at every hole location. Make sure they are centered over the installation hole. Jamb fastening is required.



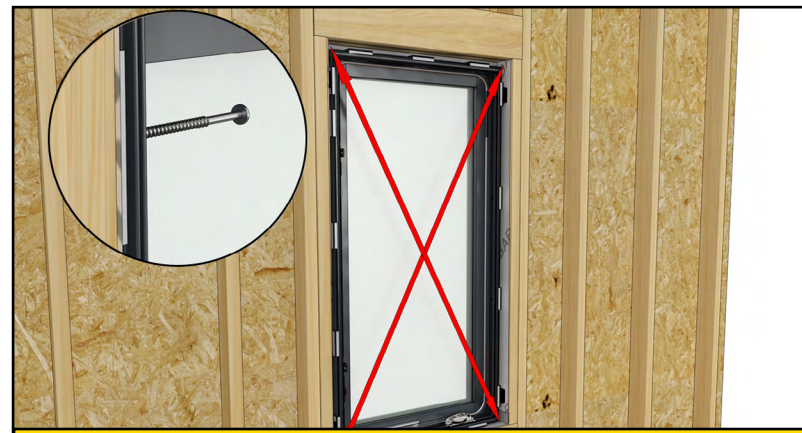
**STEP 4** Start with a level sill. Shim to adjust if necessary. (Steps continue inside)



**STEP 5** Center the window in the opening, apply backer rod (1), shim and fasten the bottom corners (2).



**STEP 6** Plumb one jamb and fasten the top corner..



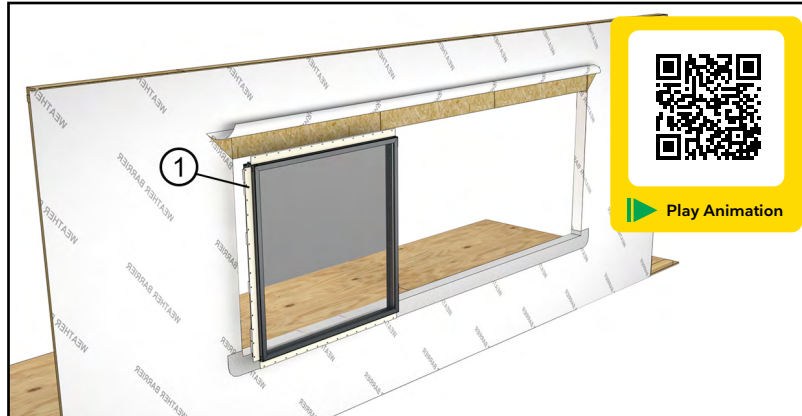
**STEP 7** Square the frame and fasten the opposite top corner.



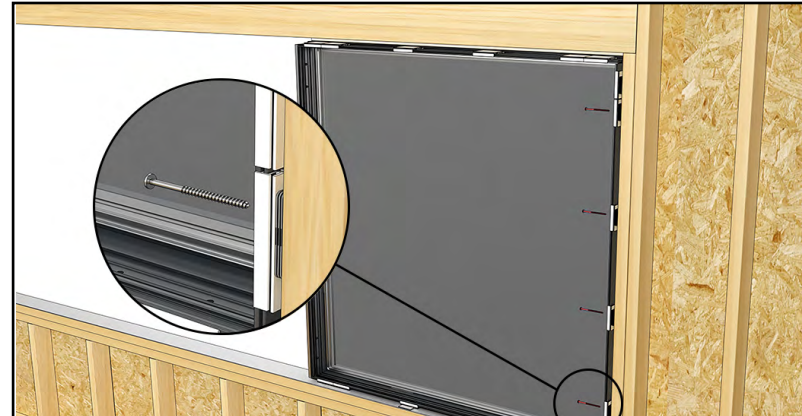
**STEP 8** Shim and fasten at every installation hole and through the hardware base (1). Seal before fastening the sill.

### Mulling Assemblies in the Rough Opening

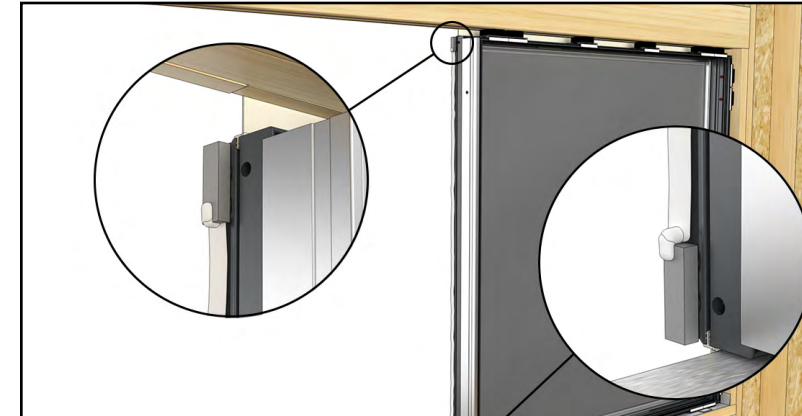
The following steps demonstrate mulling assemblies in the opening. Units are prepped for mulling and include an attached mull pin to the right hand side of the left side unit (A1 as seen from the exterior). Subsequent units at the middle of the mull will have the mull pin fastened to the right hand jamb at the factory. Units prepped for mulling will also have the shim blocks attached at the fastener locations, mull foam pads, and nailing fin where applicable.



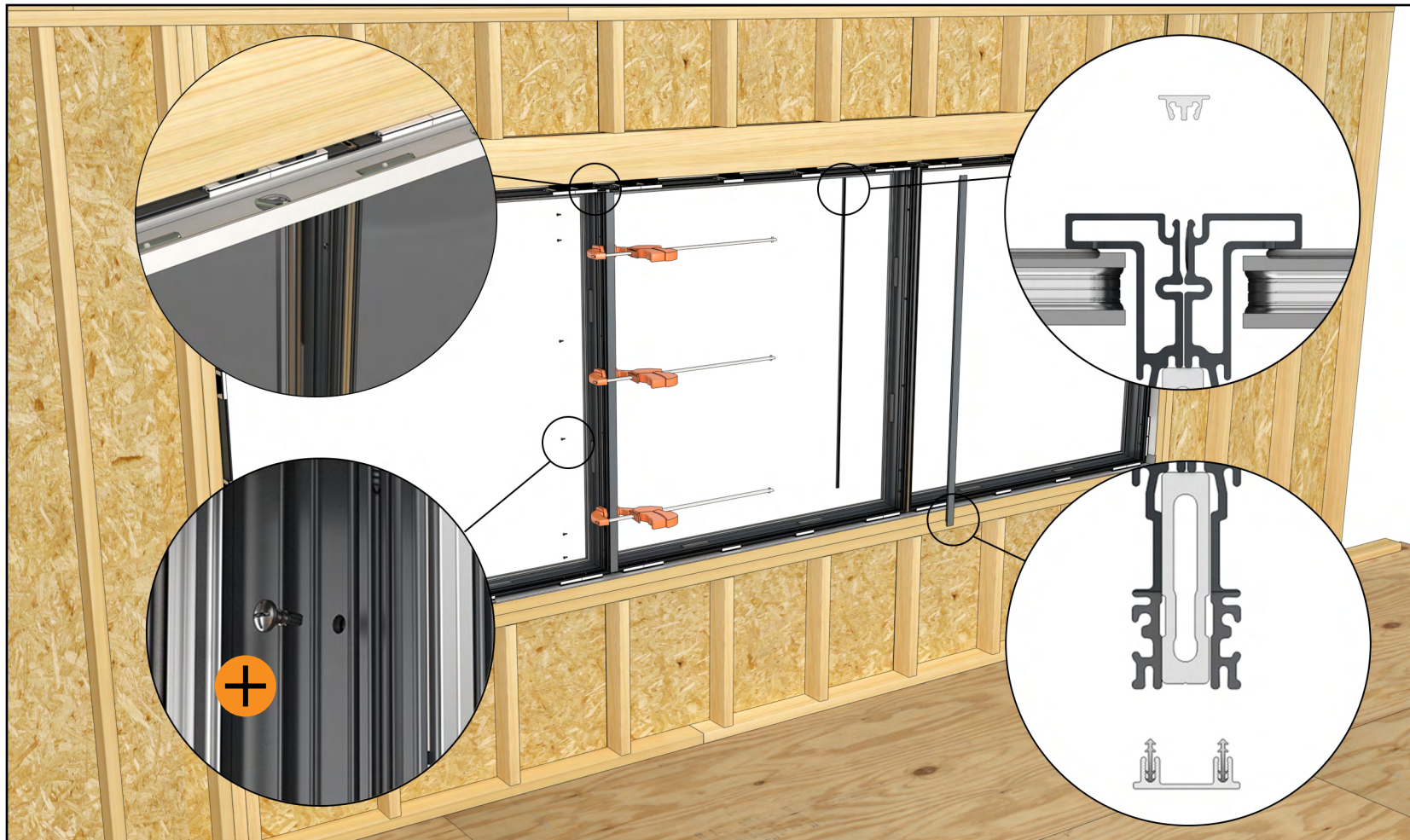
**STEP 1** Use the same techniques found in the first section to set the first unit in place.



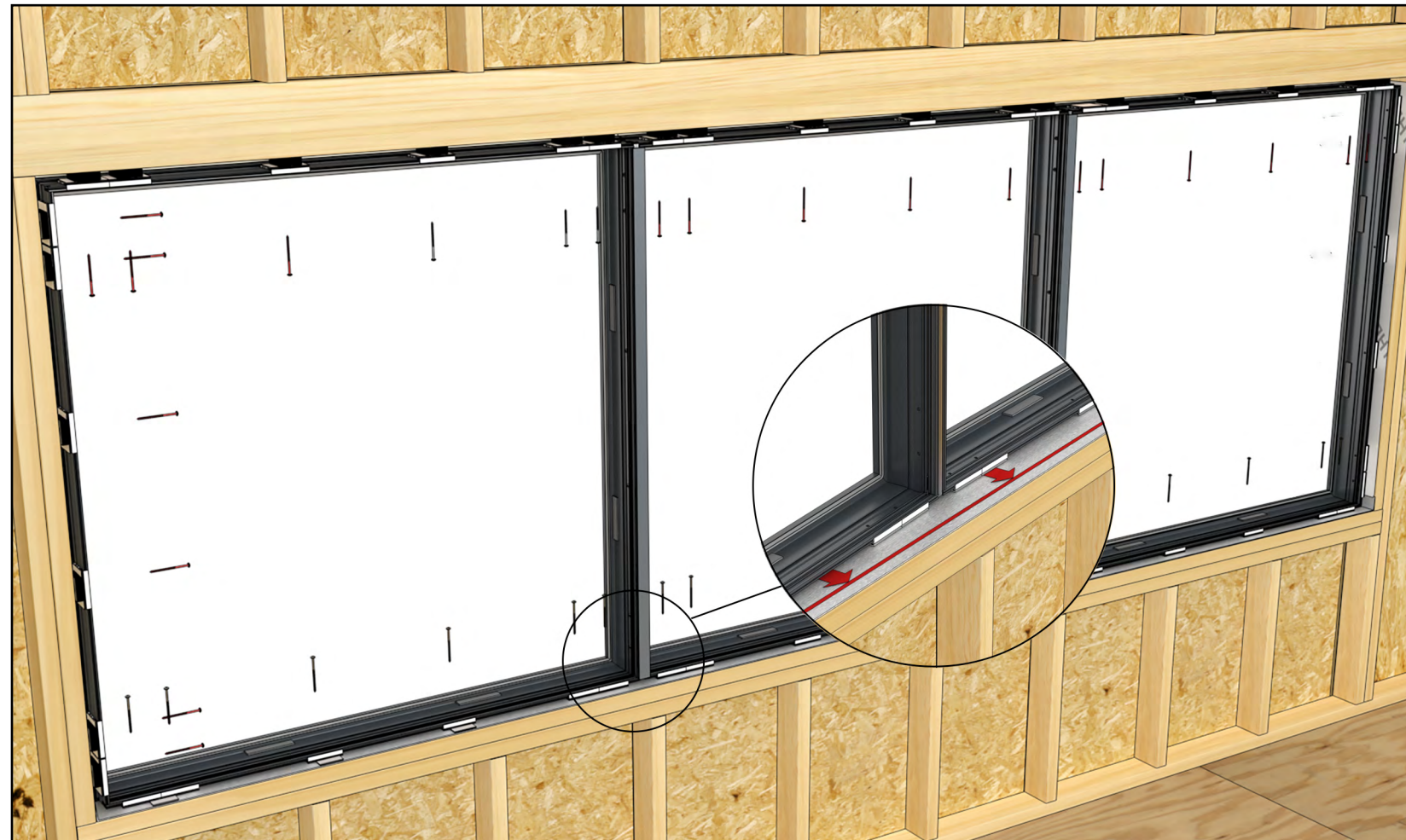
**STEP 2** Fasten the jamb side.



**STEP 3** Apply a bead of sealant over the foam pads at the top, down the jamb and over the pad at the bottom.



**STEP 4** With the first unit pinned at the side jamb, set the next unit in place, clamp and fasten. Attach the exterior mull cap, and repeat until all units are assembled in the opening. Make sure all units are flush with one another on all planes.



**STEP 5** Make sure all units are aligned along the same plane vertically, adjust at the mulls and fasten through the sill. Complete fastening at every installation hole at the head jamb, sill, and jambs.