



Ultimate Wood Inswing French Door 2 1/4inch Arch Top

Replacement Parts

Specifications and technical data are subject to change without notice.

Numbers listed in () parentheses are metric equivalents in millimeters rounded to the nearest whole number.

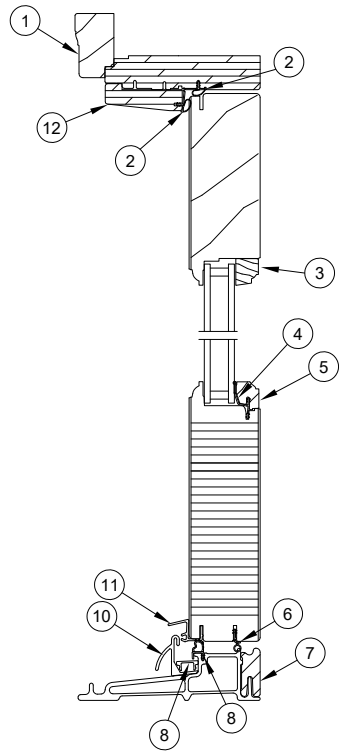
Suggested fasteners are not included and must be ordered separately.

Illustrations are not to scale.

Contents

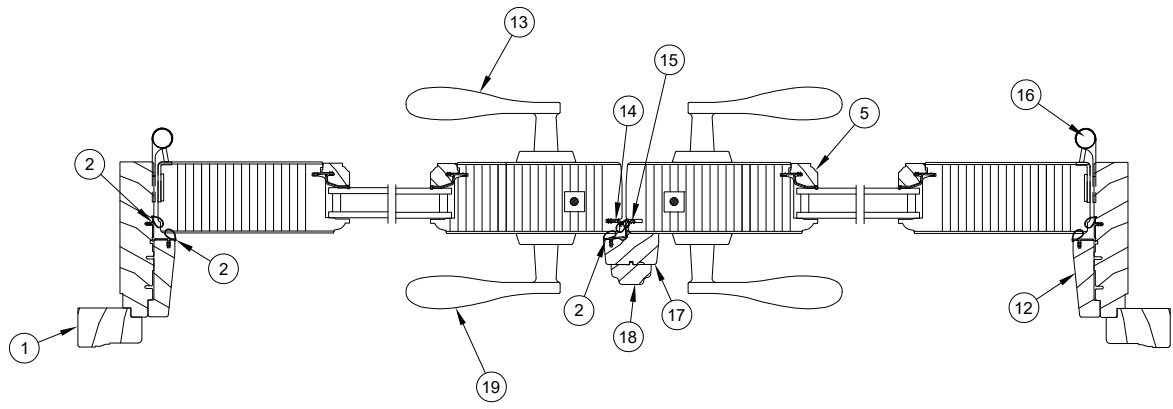
Product History.....	2
Part Identification - XX L	3
Installation Accessories.....	4
Traditional Handle.....	5
Contemporary Handle	10
Handle - Keyed Cylinder.....	16
Handle Set - Discontinued Limited Availability (LA).....	17
Hinge Handing Location	19
Hinges.....	20
Locking Hardware	22
Miscellaneous Parts	26
Miscellaneous Parts - Discontinued No Availability (NA).....	27
Aluminum Parts	28
Fiberglass Parts.....	30
Vinyl Parts.....	31
Vinyl Parts - Discontinued No Availability (NA).....	32
Wood Parts.....	33
Wood Parts - Discontinued Limited Availability (LA)	34
Weather Strip	35
Panel Replacement	37

Produced	Unit Type	Features and Changes
2005	Ultimate Wood Inswing French Door 2 1/4Inch Arch Top	5/31/2005: 2 1/4inch Panel IZ3 doors introduced. Units feature multi-point lock, LVL stiles and rails, and 4 1/2" x 4 1/2" ball bearing hinges.
2006	Ultimate Wood Inswing French Door 2 1/4Inch Arch Top	11/20/2006: Introduced the 2 1/4inch door as a standard residential product.
2007	Ultimate Wood Inswing French Door 2 1/4Inch Arch Top	2/20/07: Introduced raised and flat panels as a standard option.
2008	Ultimate Wood Inswing French Door 2 1/4Inch Arch Top	7/28/2008: Mixed Grain Douglas Fir is now a standard option.
2009	Ultimate Wood Inswing French Door 2 1/4Inch Arch Top	3/23/2009: Added LoE3-366 as a standard option for all products. Added Cedro Macho as a standard option for all Ultimate products.
2010	Ultimate Wood Inswing French Door 2 1/4Inch Arch Top	2/22/2010: Added Dark Bronze hardware finish to doors.
2011	Ultimate Wood Inswing French Door 2 1/4Inch Arch Top	4/25/2011: Added LoE-180 as a standard option for all products. White painted interior finish option introduced for all products.
2012	Ultimate Wood Inswing French Door 2 1/4Inch Arch Top	7/30/2012: Adjustable Hinge became standard. 10/29/2012: Interior Square Sticking/Glazing Bead option introduced. 12/17/2012: Introduced Clear Interior Finish option on all products.
2013	Ultimate Wood Inswing French Door 2 1/4Inch Arch Top	4/29/2013: Introduced interior stain options. Stain colors are Wheat, Honey, Leather, Hazelnut, Cabernet and Espresso. 12/16/2013: Interior Shades option introduced.
2014	Ultimate Wood Inswing French Door 2 1/4Inch Arch Top	2/24/2014: Introduced two Pearlescent colors (Bright Silver and Copper) and discontinued colors (Sherwood Green and Cobalt Blue) to the Ultimate Doors. Removed screen information and added new chapter for screen to manual. 4/28/2014: Added the Contemporary Panel and Contemporary Handle options. 6/23/2014: Added PVD color options for the Contemporary Handle; Oil Rubbed Bronze PVD and Satin Nickel PVD are now available. 8/25/2014: Panel drip and screws (A2408) will now match standard color. Screws for custom color will be stainless steel.
2016	Ultimate Wood Inswing French Door 2 1/4Inch Arch Top	10/31/2016: Discontinued the wood species Cedro Macho for all products.
2023	Ultimate Wood Inswing French Door 2 1/4Inch Arch Top	2/27/2023: IZ3 certified Ultimate Wood 2 1/4" doors were moved to Discontinued - Limited Availability (DISC LA). This move allows for continued replacement and configured part support but does not allow ordering full IZ3 Wood Ultimate 2 1/4" door units. See Product Bulletin 861 for more information. 10/30/2023: An ERS coating became available as a standard option for current Triple Pane offerings. See Product Bulletin 904 for more details.



Head Jamb and Sill

1. Head Jamb Brick Mould Casing
2. Head Jamb Weather Strip, V796
3. Radiused Glazing Bead, W12841
4. Vinyl Glazing Bead, V2447
5. Glazing Bead, W9949
6. Stile Weather Strip, V020
7. Sill Liner, W8661
8. Sill Weather Strip, V794
9. Hydro-Optimizer Reinforcement, A1221
10. Hydro-Optimizer, A1251
11. Panel Drip, V940
12. Head Jamb Stop, W6535

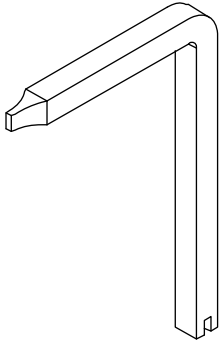


Jamb XX L - RT2

Construction Handle

PN

10830451



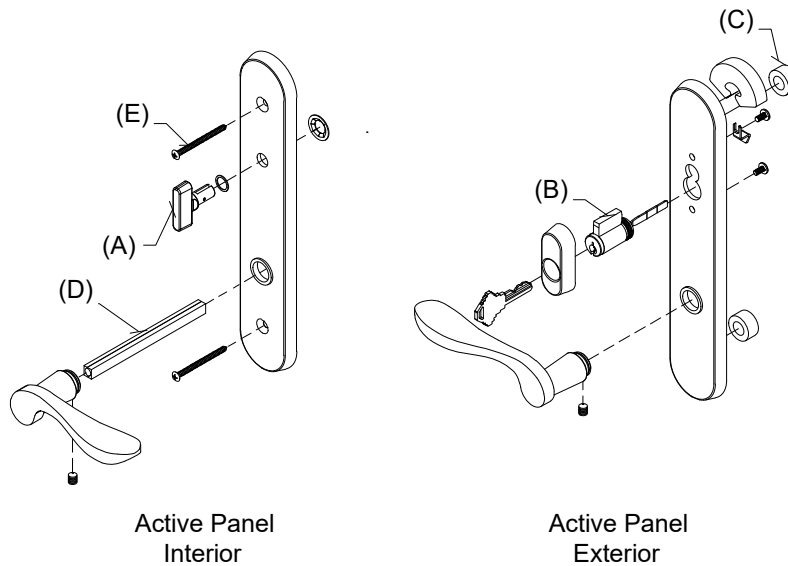
Handle Assembly, Active, Keyed

Mortise Lock and Multi-Point Lock Systems (Schlage "C" Keyway)

Includes:

- 1 - Interior lever with spindle, escutcheon plate and hardware
- 1 - Exterior lever with escutcheon plate and hardware
- 1 - Thumb turn with hardware (A)
- 1 - Keyed cylinder with housing and hardware (B)
- 1 - Exterior escutcheon plate gasket
- 2 - Lug Seal (C)
- 1 - Two piece spindle, 5.06" w/2 1/4" panel (D)
- 2 - #10-32 x 2 5/8" Phillips oval head machine screws (w/2 1/4" Panel) (E)
- 2 - Keys

Handle Assembly - 2 1/4" Panel	
Color	PN
Satin Taupe	21448114
Antique Brass	21448116
White	21448119
Satin Chrome	21448112
Oil Rubbed Bronze	21448111
Oil Rubbed Bronze PVD	21448118
Brass PVD	21448160
Satin Nickel PVD	21448110
Dark Bronze	21448120
Polished Chrome	21448117
Matte Black	21448131



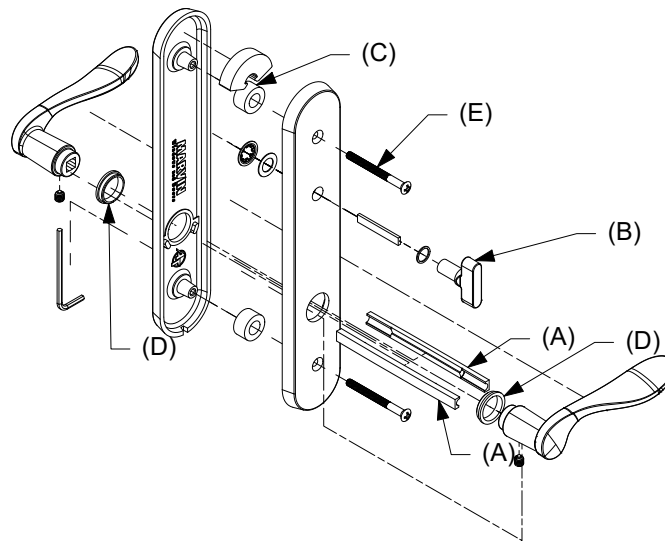
Handle Assembly, Active, Non-Keyed

Mortise Lock and Multi-Point Lock Systems (Schlage "C" Keyway)

Includes:

- 2 - Levers
- 2 - Lever bushings (D)
- 2 - Lug seals (C)
- 1 - Interior escutcheon
- 1 - Exterior escutcheon
- 1 - Thumb turn with actuator/tail piece (B)
- 1 - Two piece spindle, 5.06" w/2 1/4" panel (A)
- 2 - #10-32 x 2 5/8" Phillips oval head machine screws (w/2 1/4" Panel) (E)
- 2 - Set screws
- 1 - Allen wrench
- 1 - Installation instruction

Handle Assembly - 2 1/4" Panel	
Color	PN
Satin Taupe	21448174
Antique Brass	21448180
White	21448176
Satin Chrome	21448173
Oil Rubbed Bronze	21448172
Oil Rubbed Bronze PVD	21448170
Brass PVD	21448177
Satin Nickel PVD	21448181
Dark Bronze	21448178
Polished Chrome	21448175
Matte Black	21448179

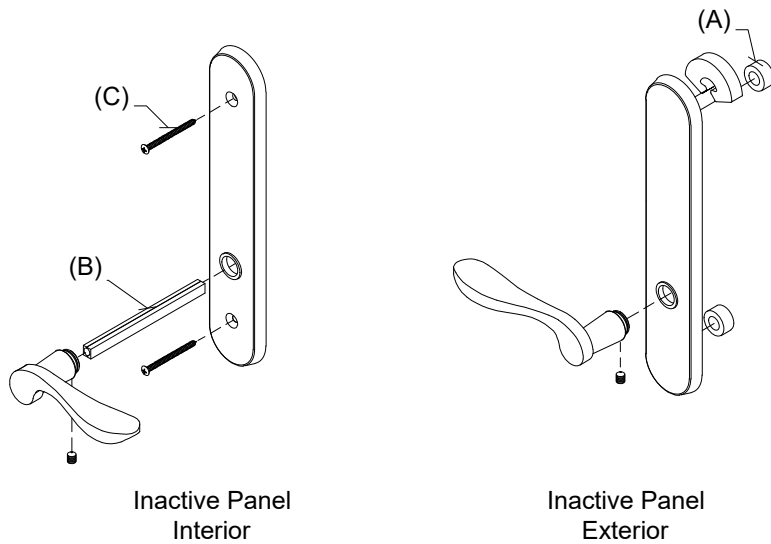


Handle Assembly, Inactive/Dummy

Includes:

- 1 - Interior lever with spindle, escutcheon plate and hardware
- 1 - Exterior lever with escutcheon plate and hardware
- 1 - Exterior escutcheon plate gasket
- 1 - Exterior escutcheon plate
- 2 - Lug seals (A)
- 1 - Two piece spindle, 5.06" (w/2 1/4" panel) (B)
- 2 - #10-32 x 2 5/8" Phillips oval head machine screws (w/2 1/4" Panel) (C)

Handle Assembly - 2 1/4" Panel	
Color	PN
Satin Taupe	21448151
Antique Brass	21448147
White	21448150
Satin Chrome	21448153
Oil Rubbed Bronze	21448154
Oil Rubbed Bronze PVD	21448145
Brass PVD	21448161
Satin Nickel PVD	21448133
Dark Bronze	21448162
Polished Chrome	21448148
Matte Black	21448163



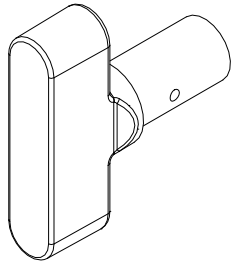
Thumb Turn, Traditional

For Keyed Handle

Includes:

Thumb Turn Washer
Thumb Turn Push Nut

No Tail Piece/Actuator (for keyed handle)	
Color	PN
Antique Brass	10148483
Satin Chrome	10148482
Oil Rubbed Bronze	10148481
Oil Rubbed Bronze PVD	10148485
Polished Chrome	10148488
Brass PVD	10148484
Satin Nickel PVD	10148487
Satin Taupe	10148486
Dark Bronze	10148479
White	10148489
Matte Black	10148480



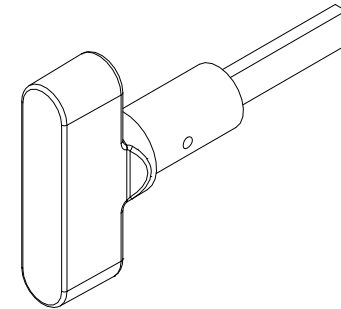
Thumb Turn, Traditional with Actuator/Tail Piece

For Non-Keyed Handle

Includes:

Actuator/Tailpiece
Thumb Turn Washer
Thumb Turn Push Nut

With Tail Piece/Actuator (for non-keyed handle)	
Color	PN
Antique Brass	10148495
Satin Chrome	10148494
Oil Rubbed Bronze	10148493
Oil Rubbed Bronze PVD	10148497
Polished Chrome	10148500
Brass PVD	10148496
Satin Nickel PVD	10148499
Satin Taupe	10148498
Dark Bronze	10148491
White	10148501
Matte Black	10148492

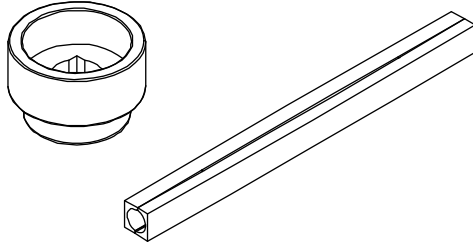


2 1/4inch Swinging Handle Set Kit - Interior Shades

Includes:

- 1 - 3/4" extension handle
- 1 - Spindle, lever handle, 2 pc. assembly
- 1 - Installation instruction

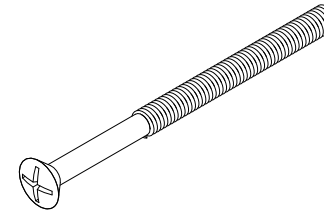
Color	PN
Satin Taupe	18900659
Antique Brass	18900662
Satin Chrome	18900665
White	18900660
Oil Rubbed Bronze	18900663
Oil Rubbed Bronze PVD	18900664
Brass PVD	18900661
Satin Nickel PVD	18900666
Dark Bronze	18900667
Matte Black	18900689
Polished Chrome	18900668



#10-32 x 2 5/8" Phillips Oval Head Machine Screw

For 2 1/4" Panels

Color	PN
Satin Taupe	11800237
Antique Brass	11800234
Satin Chrome	11800233
Polished Chrome	11800239
White	11800240
Oil Rubbed Bronze	11800232
Oil Rubbed Bronze PVD	11800236
Brass PVD	11800235
Satin Nickel PVD	11800238
Dark Bronze	11800231
Matte Black	11800179

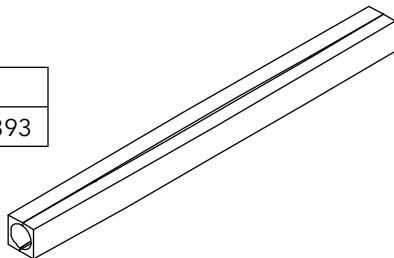


Spindle/Spindle Extension Kit

Includes:

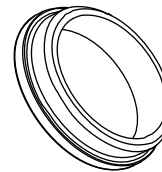
- 1 - 2 pc. Spindle
- 2 - Set screws

Length	PN
5.06"	18900393



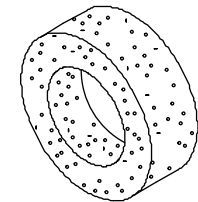
Lever Bushing, Traditional

Color	PN
Clear	02062201
Gray	10148448
Gold	10148447
Natural	02062202
Black	10148020



Lug Seal

PN
00142046

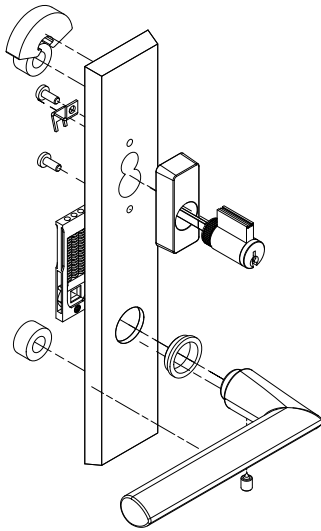


Contemporary Handle, Exterior, Active, Keyed

Includes:

- 1 - Handle
- 1 - Exterior escutcheon with bushing
- 1 - Keyed cylinder
- 2 - Lug seals
- 1 - Spring cartridge
- 1 - Set screw
- 1 - Installation instruction
- 1 - Hex wrench

LH Inswing Panel uses LH PN RH Inswing Panel uses RH PN		
Color	LH PN	RH PN
Matte Black	11870120	11870112
Satin Nickel PVD	11870122	11870114
Oil Rubbed Bronze PVD	11870124	11870116
Dark Bronze	11870126	11870118



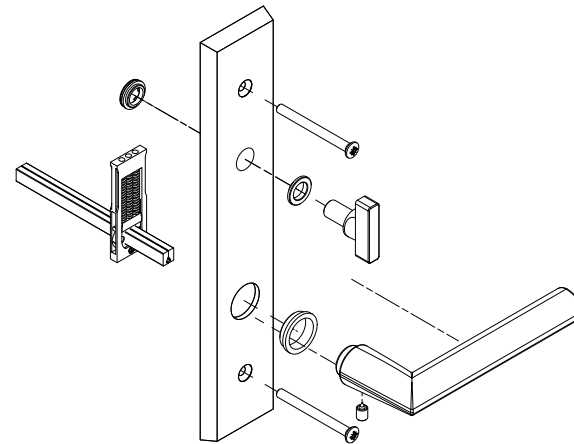
LH shown

Contemporary Handle, Interior, Active, Keyed

Includes:

- 1 - Handle
- 1 - Interior escutcheon with bushings
- 1 - Spring cartridge
- 1 - Thumb turn
- 2 - Machine screws, 2 1/4" Doors
- 2 - Machine screws, 1 3/4" Doors
- 1 - Split spindle, 2 1/4" Doors
- 1 - Split spindle, 1 3/4" Doors
- 1 - Set screw
- 1 - Installation instruction
- 1 - Hex wrench

LH Inswing Panel uses RH PN RH Inswing Panel uses LH PN		
Color	LH PN	RH PN
Matte Black	11870104	11870097
Satin Nickel PVD	11870106	11870098
Oil Rubbed Bronze PVD	11870108	11870100
Dark Bronze	11870110	11870102



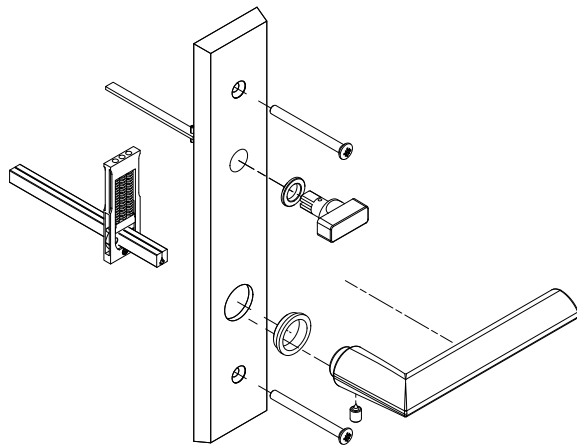
RH shown

Contemporary Handle, Interior, Active, Non-Keyed

Includes:

- 1 - Handle
- 1 - Interior escutcheon with bushings
- 1 - Spring cartridge
- 1 - Thumb turn
- 2 - Machine screws, 2 1/4" Doors
- 2 - Machine screws, 1 3/4" Doors
- 1 - Split spindle, 2 1/4" Doors
- 1 - Split spindle, 1 3/4" Doors
- 1 - Set screw
- 1 - Installation instruction
- 1 - Hex wrench

LH Inswing Panel uses RH PN RH Inswing Panel uses LH PN		
Color	LH PN	RH PN
Matte Black	11870136	11870128
Satin Nickel PVD	11870138	11870130
Oil Rubbed Bronze PVD	11870139	11870132
Dark Bronze	11870143	11870133



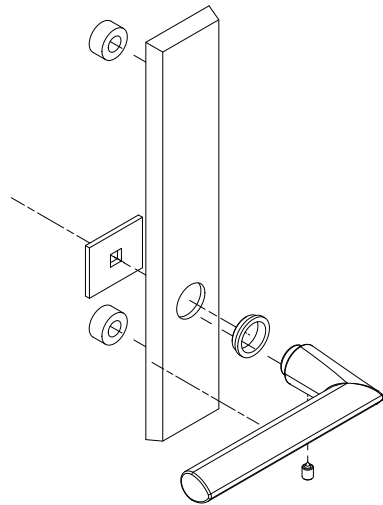
RH shown

Contemporary Handle, Exterior, Non-Keyed, Inactive/Dummy

Includes:

- 1 - Handle
- 1 - Exterior escutcheon with bushings
- 2 - Lug seals
- 1 - Fixing plate
- 1 - Set screw
- 1 - Installation instruction
- 1 - Hex wrench

LH Inswing Panel uses LH PN RH Inswing Panel uses RH PN		
Color	LH PN	RH PN
Matte Black	11870153	11870145
Satin Nickel PVD	11870154	11870146
Oil Rubbed Bronze PVD	11870156	11870148
Dark Bronze	11870158	11870149



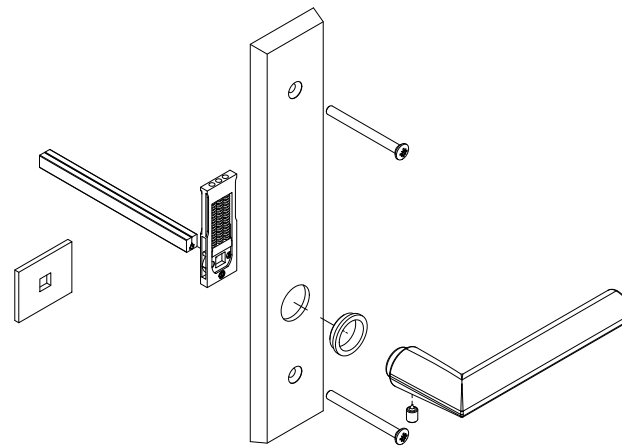
LH shown

Contemporary Handle, Interior, Inactive/Dummy

Includes:

- 1 - Handle
- 1 - Escutcheon with bushing
- 1 - Dummy fixing plate
- 1 - Spring cartridge
- 2 - Machine screws, 2 1/4" Doors
- 2 - Machine screws, 1 3/4" Doors
- 1 - Split spindle, 2 1/4" Doors
- 1 - Split spindle, 1 3/4" Doors
- 1 - Set screw
- 1 - Installation instruction
- 1 - Hex wrench

LH Inswing Panel uses RH PN RH Inswing Panel uses LH PN		
Color	LH PN	RH PN
Matte Black	11870169	11870160
Satin Nickel PVD	11870171	11870162
Oil Rubbed Bronze PVD	11870172	11870164
Dark Bronze	11870174	11870166



RH shown

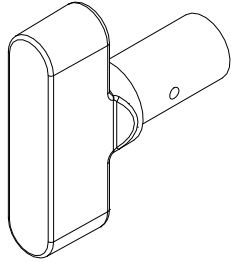
Thumb Turn, Contemporary

For Keyed Handle

Includes:

- Thumb Turn Washer
- Thumb Turn Push Nut

No Tail Piece/Actuator (for keyed handle)	
Color	PN
Oil Rubbed Bronze PVD	10148485
Satin Nickel PVD	10148487
Dark Bronze	10148479
Matte Black	10148480



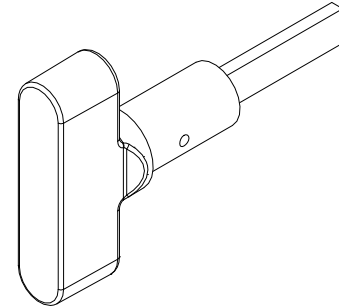
Thumb Turn, Contemporary with Actuator/Tail Piece

For Non-Keyed Handle

Includes:

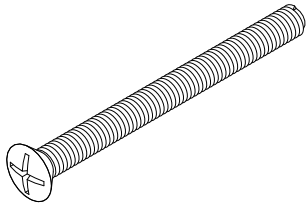
- Actuator/Tailpiece
- Thumb Turn Washer
- Thumb Turn Push Nut

With Tail Piece/Actuator (for non-keyed handle)	
Color	PN
Oil Rubbed Bronze PVD	10148497
Satin Nickel PVD	10148499
Dark Bronze	10148491
Matte Black	10148492



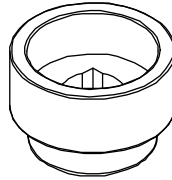
M5 x 55mm Oval Head Machine Screw

Color	PN
Oil Rubbed Bronze PVD	10148404
Satin Nickel PVD	10148457
Dark Bronze	10148455
Matte Black	11800694



Handle Extension

Color	PN
Oil Rubbed Bronze PVD	10148421
Satin Nickel PVD	10148422
Dark Bronze	10148420
Matte Black	10148445

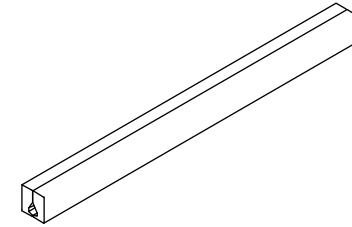


Spindle (Hoppe)

Includes:

- 1 - 2 piece spindle
- 2 - Set screws

Size	PN
5 1/8"	10148458
5 3/32"	10148459



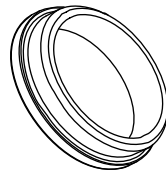
Spring Cartridge

PN
10830452



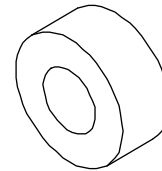
Lever Bushing, Contemporary

Color	PN
Gray	10148448
Natural	02062202
Black	10148020



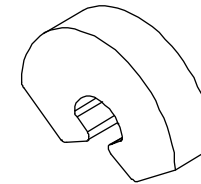
Gasket Post, Lug Seal

PN
10148404



Gasket, Top Backplate

PN
10148405

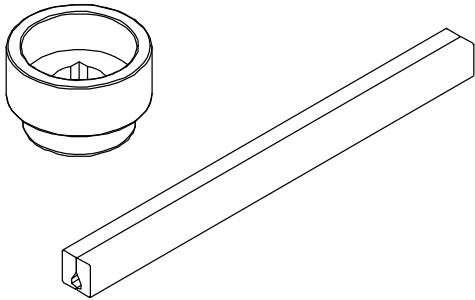


Swinging Handle Set Kit, 2 1/4inch - Interior Shades

Includes:

- 1 - 3/4" extension handle
- 1 - Spindle, lever handle, 2 pc. assembly
- 1 - Installation instruction

Color	PN
Oil Rubbed Bronze PVD	21448106
Satin Nickel PVD	21448107
Dark Bronze	21448105
Matte Black	21448108



Keyed Cylinder, Lock

(Schlage "C" Keyway)

For service replacement only.

Includes:

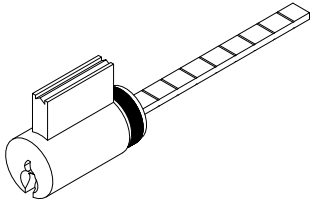
2 - Keys

NOTE: For Keyed Alike orders, use program C87P2

Polished Chrome, White, Satin Nickel PVD, Matte Black use
Chrome Face

Satin Taupe, Antique Brass, Satin Chrome, Oil Rubbed
Bronze, Oil Rubbed Bronze PVD, Brass PVD, Dark Bronze
use Brass Face

Color	PN
Brass Face	10830212
Chrome Face	10830209

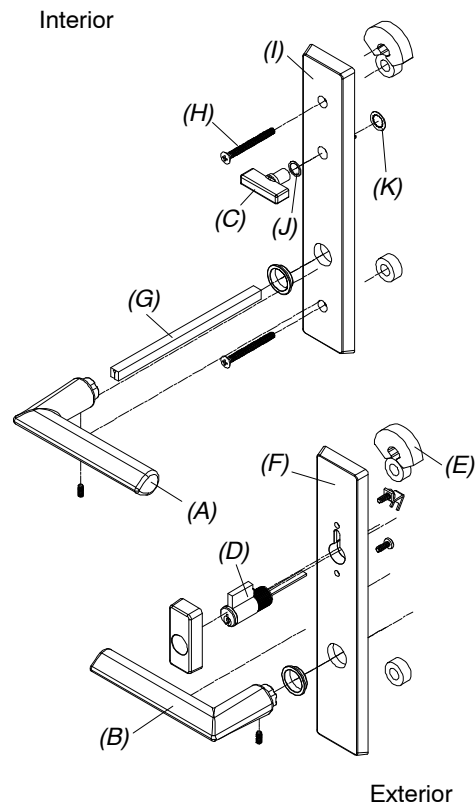


Handle Assembly, Active Panel

Includes:

- 1 - Interior lever with spindle, escutcheon plate and hardware - a
- 1 - Exterior lever with escutcheon plate and hardware - b
- 1 - Thumb turn with hardware - c
- 1 - Keyed cylinder with housing and hardware - d
- 1 - Exterior escutcheon plate gasket - e
- 1 - Exterior escutcheon plate - f
- 1 - Two piece spindle - g
- 2 - M5 x 65mm Phillips oval head machine screws - h
- 1 - Interior escutcheon plate - i
- 1 - Thumb turn washer - j
- 1 - Thumb turn push nut - k
- 2 - keys

Color	PN
Satin Taupe	21448121

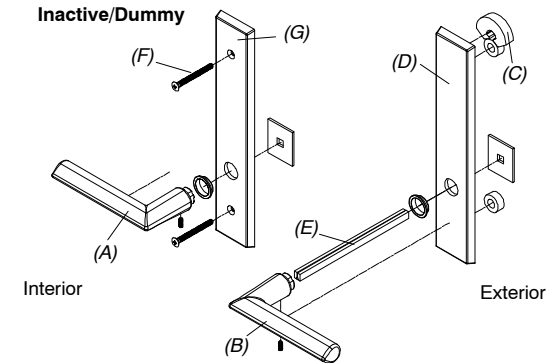


Handle Assembly, Inactive

Includes:

- 1 - Interior lever with spindle, escutcheon plate and hardware - a
- 1 - Exterior lever with escutcheon plate and hardware - b
- 1 - Exterior escutcheon plate gasket - c
- 1 - Exterior escutcheon plate - d
- 1 - Two piece spindle - e
- 2 - M5 x 65mm Phillips oval head machine screws - f
- 1 - Interior escutcheon plate - g

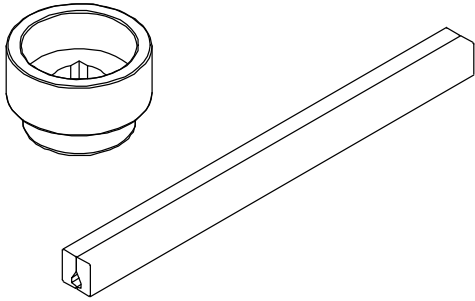
Color	PN
Satin Taupe	21448125



Swinging Handle Set Kit, 2 1/4inch, Interior Shades

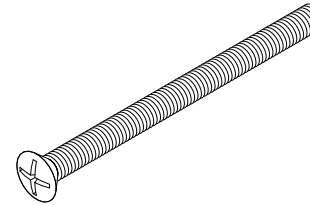
Includes:

- 1 - 3/4" extension handle
- 1 - Spindle, lever handle, 2 pc. assembly
- 1 - Installation instruction



M5 x 65mm Phillips Oval Head Machine Screw

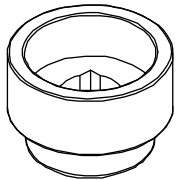
Color	PN
Satin Taupe	10148454



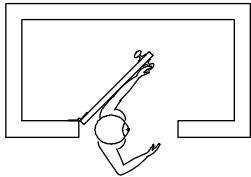
3/4" Handle Extension

Requires 3/4" Spindle Extension

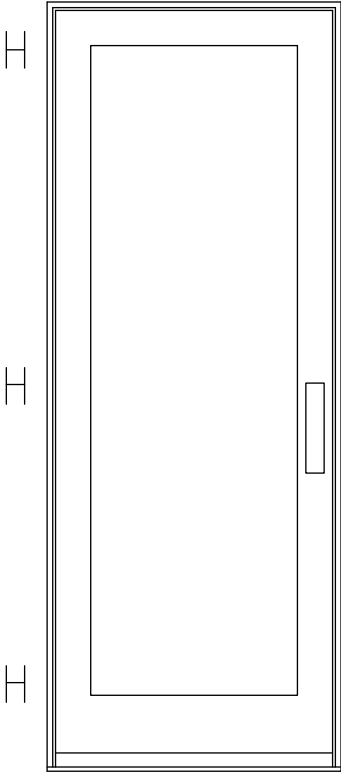
Color	PN
Satin Taupe	10148419



NOTE: Always view units from the exterior for handing.
H=Hinge location

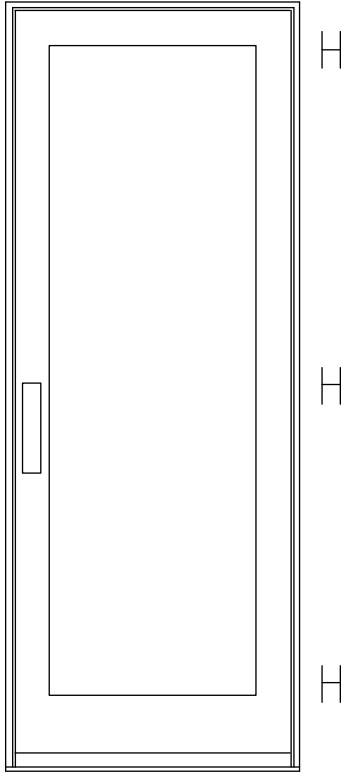


LH Inswing



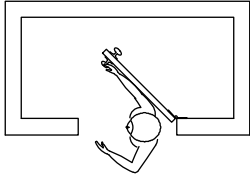
X-LH Inswing

This panel uses the left hand hinge



X-RH Inswing

This panel uses the right hand hinge



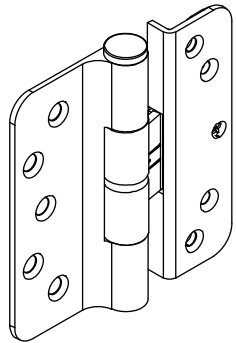
RH Inswing

Hinge Kit, Adjustable

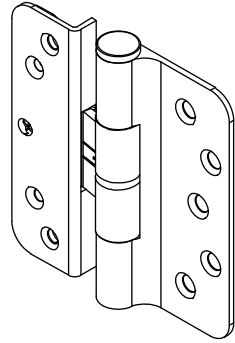
Includes:

- 1 - Adjustable hinge
- 1 - #10 x 2 1/2" Phillips flat head wood screws (jamb)
- 5 - #10 x 3/4" Phillips flat head wood screws (jamb, stationary stile)
- 4 - #8 x 1 1/2" Phillips flat head wood screws (panel)

NOTE: Hinge part number includes the color matched screws, If you need to order the screws separately, they are listed below.



LH Hinge



RH Hinge

Hinge Color	LH PN	RH PN
Satin Taupe (TP)	02101216	02101227
Goldtone (GT)	02101213	02101224
Silver Frost (SF)	02101218	02101229
Dark Bronze (DKBZ)	02101217	02101228
Antique Brass (AB)	02101210	02101221
White (WH)	02101214	02101225
Satin Chrome (SC)	02101212	02101223
Oil Rubbed Bronze (ORBZ)	02101219	02101230
Oil Rubbed Bronze PVD (ORBZ)	02101211	02101222
Brass PVD (BS)	02101215	02101226
Satin Nickel (SN) PVD	02101220	02101231
Polished Chrome (PC)	02101234	02101235
Matte Black (MBK)	02101236	02101237

Screw Color	Matching Hinge Color
TP	TP
GT	GT
WH	WH
DKBZ	AB, ORBZ PVD, DKBZ, ORBZ
BS PVD	BS PVD
Stainless Steel	SC, SF, SN PVD, PC
Chrome	SC, SF, SN PVD, PC
MBK	MBK

Screw Description	TP PN	GT PN	WH PN	DKBZ PN	BS PVD PN	Stainless Steel PN	Chrome PN	MBK PN
#8 x 1 1/2" Phillips flat head wood screws (panel). Quantity of four needed per hinge.	11865177	11865172	11865173	02058013	11865176	11865175		11865178
#10 x 3/4" Phillips flat head wood screws (jamb) (stationary stile). Quantity of five needed per hinge.	11800674	11800670	11800671	11800669	11800673		11800672	11800677
#10 x 2 1/2" Phillips flat head wood screws (jamb). Quantity of one needed per hinge.	11800653	11800632	11800637	11800644	10148185	11800639		11800696
NOTE: Part numbers for these screws are sold in packages of 4 screws and includes 1 - 5/32" Allen wrench.								

Hinge 4 1/2" x 4 1/2" Ball Bearing

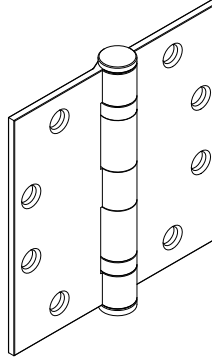
Includes:

- 1 - Hinge
- 6 - #12 x 1" Phillips flat head wood screws
- 2 - #12 x 2 1/2" Phillips flat head screws

NOTE: Hinge part number includes the color matched screws, if you need to order the screws separately, they are listed below.

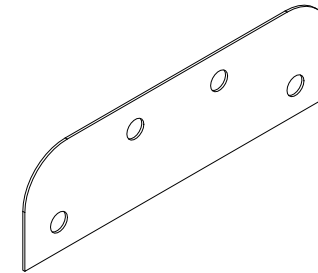
Hinge Color	PN
Stainless Steel	02100162
Satin Chrome/Brass	02101166
Bronze/Brass	02101167
Brass	02101165
Steel hinge available for Inswing Doors only	
Satin Chrome/Steel	02101163
Bronze/Steel	02101164

Screw Description	Color	PN
#12 x 1" Phillips flat head wood screws	Stainless Steel	02056069
	Dark Bronze	02056010
	Brass	02056068
#12 x 2 1/2" Phillips flat head screws	Stainless Steel	02010311
	Dark Bronze	02056067
	Brass	02010310



4 1/2" x 4 1/2" Hinge Shim

PN
18900502



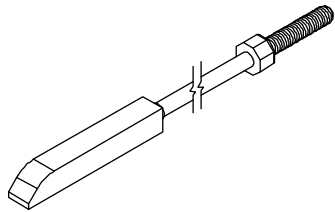
Hinge Color	Screw Color
Stainless Steel	Stainless Steel
Satin Chrome / Steel	
Satin Chrome / Brass	
Bronze / Steel	Dark Bronze
Bronze / Brass	
Brass	Brass

SC = US26D
BZ = US10A
BS = US3
SS = US32D

Locking Rod Assembly, Multi-Point Lock

Height	Top Locking Rod Length	Color	PN
CN 8-0 ht	51 7/16"	Stainless Steel	05700179
CN 10-0 ht	75 7/16"		05700196

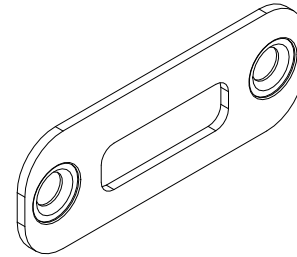
Height	Bottom Locking Rod Length	Color	PN
CN 8-0 ht	34 9/32"	Stainless Steel	05700170
CN 10-0 ht			



Head Jamb/Sill Strike Plate

Used at head jamb and sill

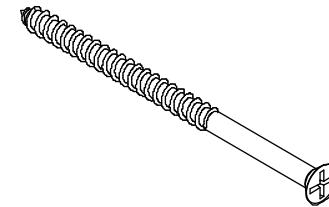
PN
05700082



#10 x 3" Phillips Flat Head Screws

For Head Jamb Strike Plate at installation.

Color	PN
Stainless Steel	02056011



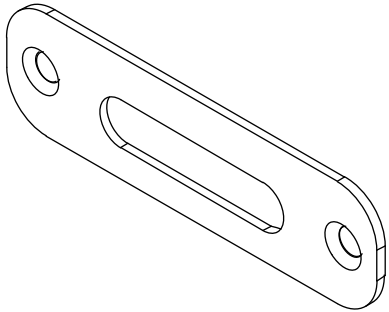
Head Strike

RT2 one wide

Includes:

- 1 - Strike
- 2 - #10 x 3" Phillips flat head screws

PN
05700319

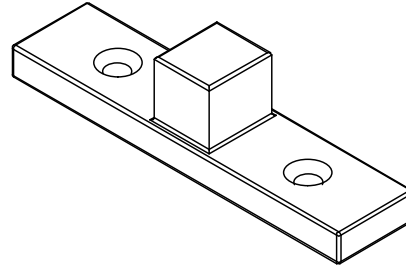


Sill Bolt, Stationary Panel

Includes:

- 2- #8 x 3" Phillips flat head wood screw

Color	PN
Zinc Die Cast	11101856

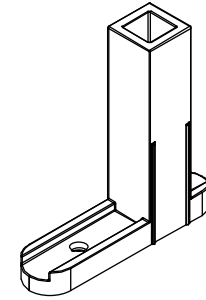


Shoot Bolt Guide

Includes:

- 1 - Shoot bolt guide
- 1- #8 x 1 1/2" Phillips pan head wood screw

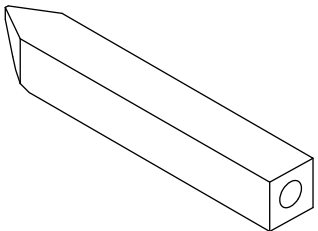
PN
10815199



Shoot Bolt, Beveled

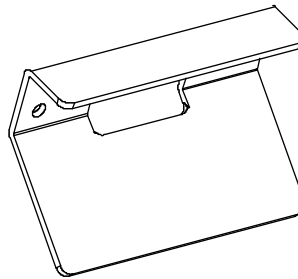
RT2 one wide

PN
10815101



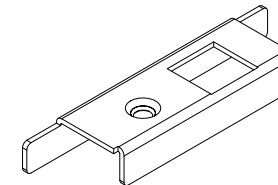
Sill Strike Backer Plate

PN
10148009



Stile End Plate

Handing	PN
LH	10148008
RH	10148007

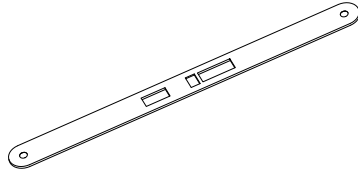


Cover Plate, Active Mortise Lock or Multi-Point Lock

Includes:

- 1 - Cover plate
- 2 - #8 x 1" Brass Phillips flat head wood screws*

Color	PN
Stainless Steel	05700306
Antique Brass	05700307
Oil Rubbed Bronze PVD	05700308
Brass PVD	10148179

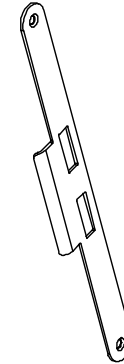


Strike Plate, Jamb and Inactive Panel - Mortise Lock or Multi-Point Lock

Includes:

- 1 - Jamb strike plate
- 2 - #8x1" Brass Phillips flat head wood screws*

Color	PN
Stainless Steel	05700300
Antique Brass	05700301
Oil Rubbed Bronze PVD	05700302
Brass PVD	10148177



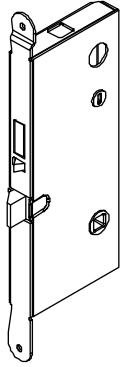
***Stainless Steel - 11800645, Dark Bronze - 11800652, Brass PVD - 11800536**

Note: Dark Bronze screws are used with Antique Brass and Oil Rubbed Bronze PVD

Mortise Lock, Active Multi-Point Lock

(Latch, dead bolt and head/foot shoot bolts)

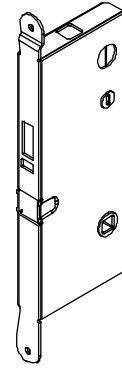
PN
05700130



Mortise Lock, Inactive Panel Multi-Point Lock

(Head/foot shoot bolts)

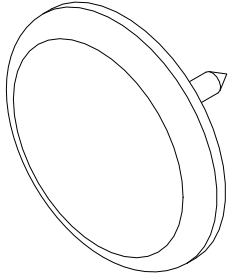
PN
05700131



Jamb Spacer Tack, Stationary Panel

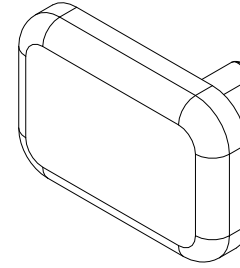
3/4" Diameter Head

PN
11860423



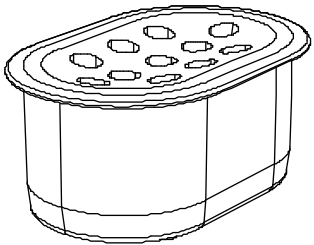
Head Jamb Spacer Tack, Stationary Panel

PN
11860424



Drain Plug, Sill

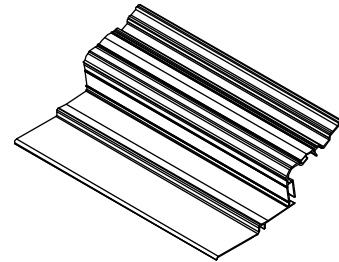
Color	PN
Beige	10500253
Bronze	10500249

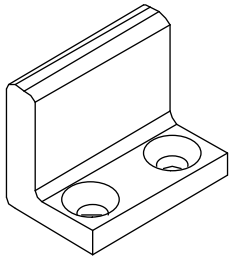


Threshold Protector

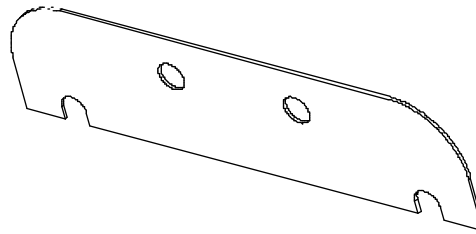
30" length

Qty	PN
EA	11869675
Pkg 20	11869676

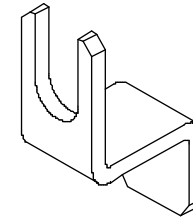




Header Reinforcement Bracket
No longer available. Use current part.
Usage dates: Prior to 8/31/2009



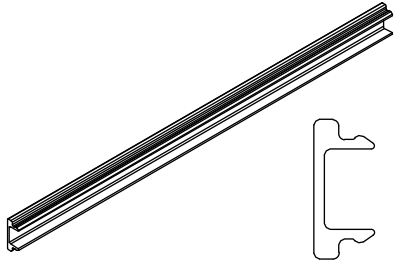
4 1/2" x 4 1/2" Hinge Shim Ultimate Frame
No longer available. Use current part.



Stop clip with screws
No longer available. Use current part.

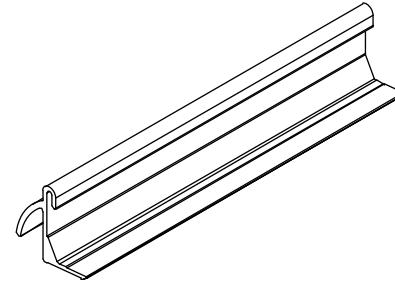
When ordering replacement parts, specify:

1. Profile number;
2. Rough opening;
3. Length;
4. Handing;
5. Finish (where applicable),

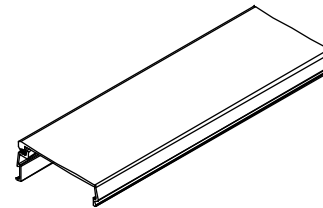


Hydro-Optimizer Reinforcement, A1222

Length	Color	PN
144"	Beige	18548499
	Bronze	18548399



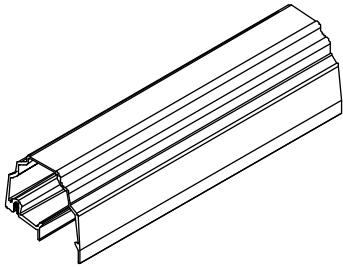
Hydro-Optimizer, A125
Available in Beige or Bronze



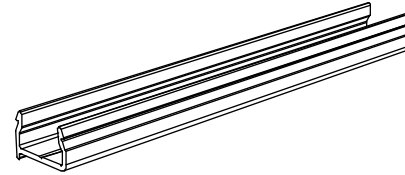
Head Jamb/Jamb Parting Stop, A836

When ordering replacement parts, specify:

1. Profile number;
2. Rough opening;
3. Length;
4. Handing;
5. Finish (where applicable),



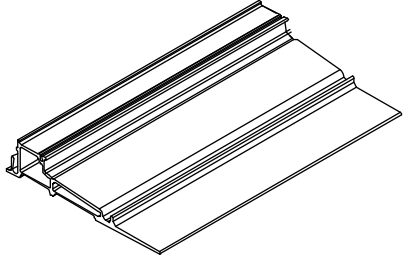
Astragal Cladding, A772



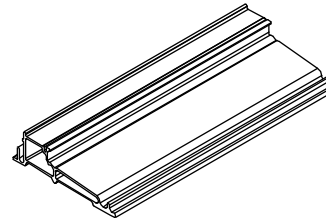
Mullion Casing Base, A771

When ordering replacement parts, specify:

1. Profile number;
2. Rough opening;
3. Length;
4. Handing;
5. Finish (where applicable),



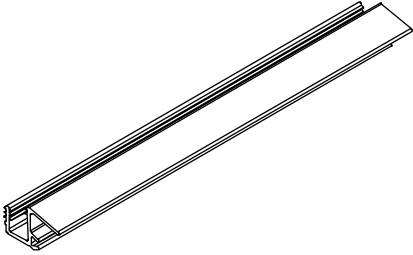
Ultrex Sill, 6 9/16" Jamb, F257
Available in Beige or Bronze



Ultrex Sill, 4 9/16" Jamb, F256
Available in Beige or Bronze

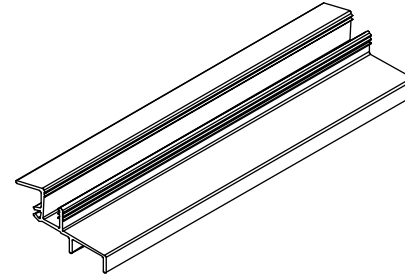
When ordering replacement parts, specify:

1. Profile number;
2. Rough opening;
3. Length;
4. Handing;
5. Finish (where applicable),



Panel Drip, V940

Available in Beige or Black



Stationary Panel Drip/Sill Spacer, V941

Available in Beige or Black



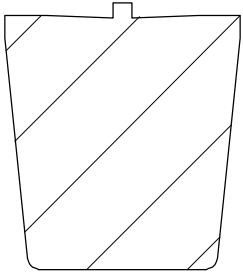
V1304 Weather Strip, Frame

No longer available. Use current part.

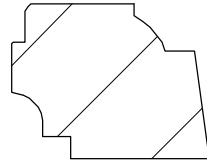
Usage dates: Prior to 3-30-2009

When ordering replacement parts, specify:

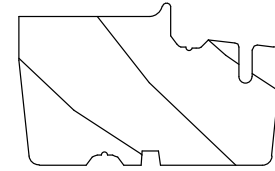
1. Profile number;
2. Rough opening;
3. Length;
4. Handing;
5. Finish (where applicable),



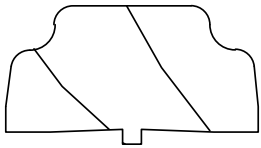
Mull Casing, W8775



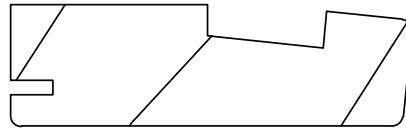
Glazing Cap, W9949



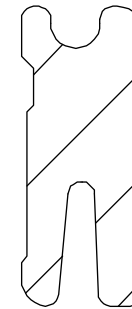
First Mull Casing and Astragal, W1455



**Astragal Cover and Transom Mull Cover,
W7554**



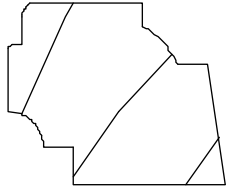
Head Jamb and Jamb Part Stop, W6535



Sill Liner (Oak), W8661

When ordering replacement parts, specify:

1. Profile number;
2. Rough opening;
3. Length;
4. Handing;
5. Finish (where applicable),

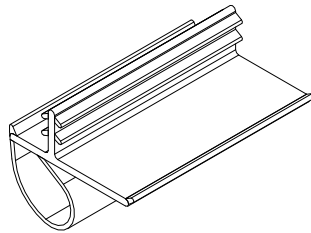


Glazing Cap, W4019

Offset Bulb Weather Strip, Parting Stop, Frame, Mull Casing, Transom and Astragal

V796

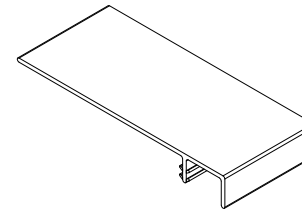
Length	Color	PN
75 43/64"	Beige	15170866
	Black	15170867
104 7/8"	Beige	15170090
	Black	15170091
115 41/64"	Beige	15170810
	Black	15170811
189 11/16"	Beige	15173298
	Black	15173398



Weather Strip, Frame

V1707

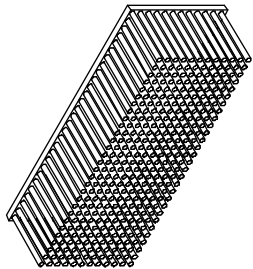
Length	Color	PN
120"	Beige	11191299
	Black	11191399



Dust Block, Part Stop

1 3/8" x 3/8" x 1/2"

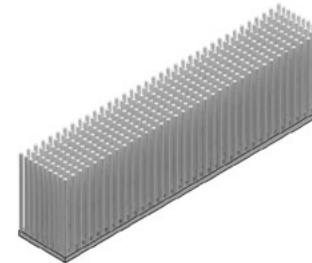
Color	PN
Gray	15600010
Beige	15600011



Dust Block, Astragal or Panel

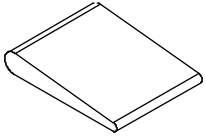
1 3/8" x 1/4" x 1/2"

PN
10500049



Small Corner Seal

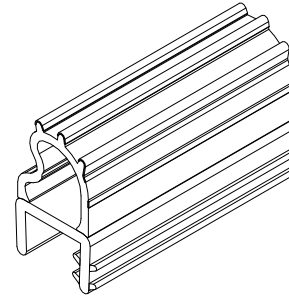
Color	PN
Beige	01040368
Black	01040369



Flex-Bulb Weather Strip, Sill

V794

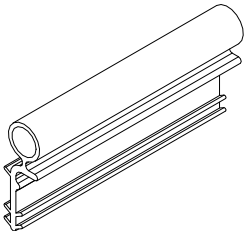
Length	Color	PN
92 3/4"	Beige	15180780
164 3/4"	Beige	15180798
164 3/4"	Black	15180799



Weather Strip, Stile

V020

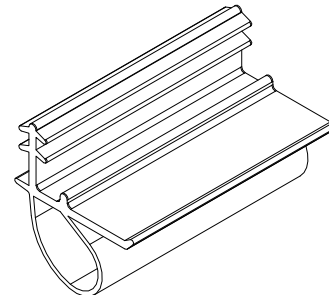
Length	Beige PN	Black PN
79 9/16"	11197968	N/A
92 15/16"	11197982	N/A
150"	11197999	11197998



Inactive Panel Stile Center

V780

Length	Color	PN
150"	Beige	15174099
	Black	15174098



When ordering replacement panels, specify:

NOTE: Weather strip is included with all panels (where applicable).

1. OM of panel (NOTE: OM of panel does not include astragal, mull casing or sweep);
2. Active, Inactive or Stationary;
 - a. Active - comes prepped for multi-point mortise lock and standard Marvin handle set. If Marvin Architectural Hardware prep is needed, specify brand.
 - b. Inactive - comes prepped for multi-point lock and standard Marvin handle-set. If Marvin Architectural Hardware prep is needed, specify brand.
 - c. Stationary - specify configuration and astragal or mull casing (if applicable).
 - d. Panel style
3. Handing;
4. Glazing;
5. Finish;
6. Glazing bead profile
 - a. bevel
 - b. square.
 - Active panels include panel sweep and multi-point mortise lock system.
 - Inactive panels include sweep, astragal, and multi-point lock system.
 - Stationary 1 wide panels include panel sweep.

