

Coastline Entry Door

Unit Features	1
Maximum Guidelines	3
Configurations	3
Inswing Section Details	4
Outswing Section Details	6
Mulling Section Details	9
Sidelite Section Details	10

Unit Features**Product Name:** Coastline Entry Door

- Inswing Entry Door
- Outswing Entry Door (Transom available)
- Entry Door Sidelite (Transom available)

Abbreviation: COIFD ES IZ4, COOFD ES IZ4, COFD ES SL IZ4**Frame:**

- .094" typical wall depth
- 4.688" frame depth
- Installation screw holes are pre-punched for easy installation
- Optional Color Finishes:
 - Stone White
 - Bronze
 - Ebony
 - Walnut
 - Hazelnut
 - Red Cinnamon
 - English Oak
 - White Kynar
 - Bronze Kynar
 - Black Kynar
 - Custom Colors available

Panels:

- Solid bottom panel available
- Operator
 - Top Rail: 4" or 8"
 - Bottom Rail: 4" or 8"
 - Stile: 4"
- Sidelite
 - Top Rail: 4" or 8"
 - Bottom Rail: 4" or 8"
 - Stile: 2" or 4"
- Ogee Glass Stops available
- Prepared for Exterior Iron Grills available

Swing/Style Options:

- Hinge Right & Hinge Left Inswing
- Hinge Right & Hinge Left Outswing
- Sidelite
- Transom

Hardware:

- 3 point lock on all active doors
- Electric Strike available
- Panic Hardware available (Outswing only)
- Closer available

Handle Options:

- Contemporary
- Traditional
- San Carlos
- Offset Ladder Pull
- Rectangular Offset Ladder Pull
- Ornamental Pulls
- Commercial Tubular Pulls
- Custom Handle Sets

• Hinge Finish Options:

- Satin Nickel
- Dark Bronze
- Polished Chrome
- Polished Brass
- Black

Sill:

- Standard (only available on Outswing or Sidelite)
- Low-Rise (only available on Outswing or Sidelite)
- Inswing (only available on Inswing)
- ADA (only available on Outswing)

Divided Lites Options:

- 1 Lite
- True Divided Lites (Designs include optional 1" Ogee; 1" or 2" Flat; 1" or 2" Square)
- Ornamental (with or without Solid Bottom Panel/TDL)
- Solid (Sheet Metal, Louvers, or Stacked Muntin)
- Prepared for Exterior Iron Grill Available
- Custom and Arch Applied Designs (2", 3", 4", 5", 6" Square)

Weather Strip:

- Fully weather stripped throughout providing a tight seal to prevent water and air infiltration.

Glass and Glazing:

- Glass Options:
 - 7/16" HS Laminated PVB
 - 7/16" HS Laminated SGP
 - 9/16" HS Laminated SGP (only available on Outswing or Sidelite)
 - 1" Insulated Laminated PVB (only available on Outswing or Sidelite)
 - 1" Insulated Laminated SGP
- Glass Tint Options:
 - Clear
 - Grey Tint
 - Bronze Tint
 - Green Tint
 - Azurelite Blue Tint
 - LoE 366 Clear
 - LoE 366 Grey
 - LoE 366 Bronze
 - LoE 366/ I-89
- Options:
 - White Interlayer
 - Pat 62 Obscure
 - Rain
 - Glue-Chip
 - Double tint
 - Neat

Maximum Guidelines

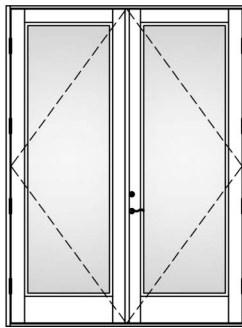
PRODUCT ABBREVIATION	MAX FRAME AREA (sq ft)	MAX FRAME WIDTH (in)	MAX FRAME HEIGHT (in)	MAX DESIGN PRESSURE (PSF)	OPERATION
COIFD ES IZ4	36	39-3/8	132-5/8	+ 55 / -80	X
	70	76	132-5/8	+ 50 / -50	XX
COOFD ES IZ4	52	52	144	+ 80 / -80	X
	101	101-3/8	144	+ 80 / -80	XX
COFD ES SL IZ4	44	60	132-5/8	+ 80 / -80	FIXED

Max Area Cannot Be Exceeded, Reference Florida Product Approvals For Actual Design Pressure

Configurations



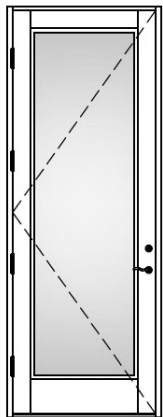
Single French Door



Double French Door



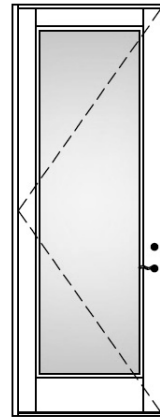
French Door Sidelite



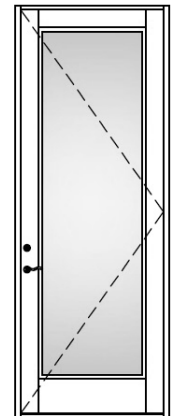
Hinge Left Outswing



Hinge Right Outswing

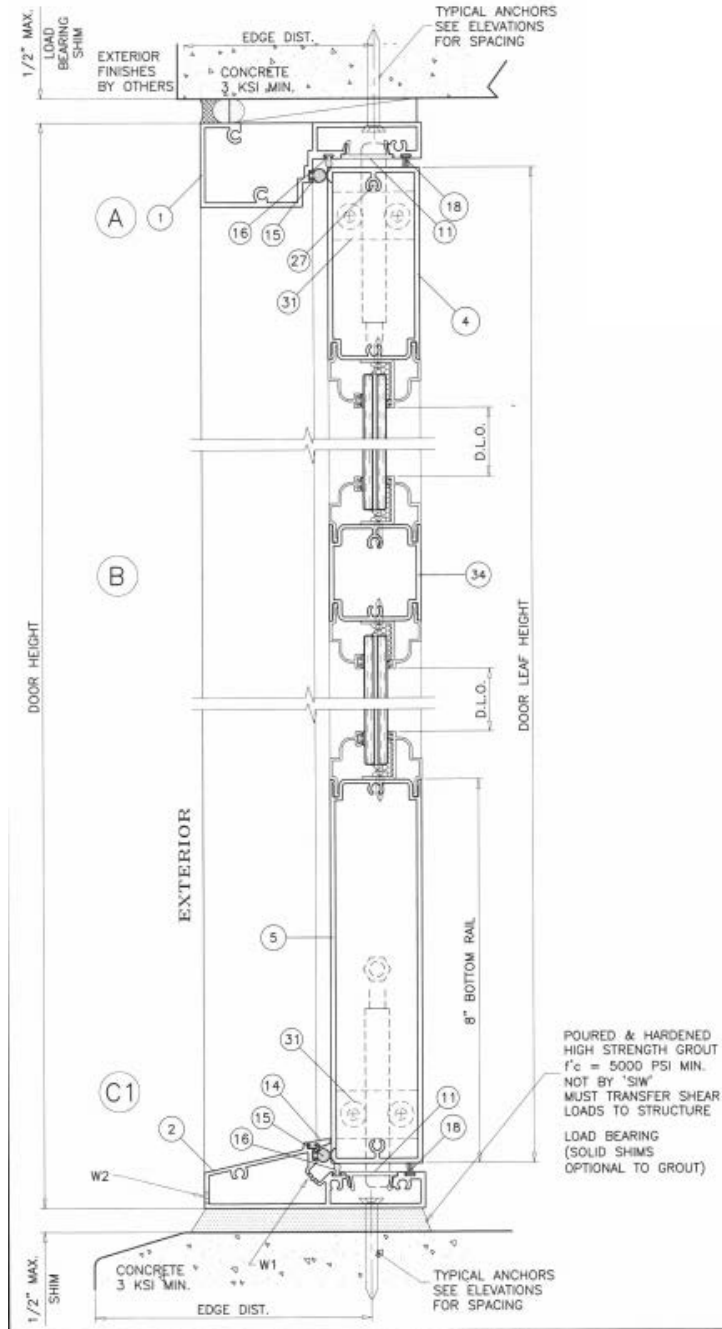


Hinge Left Inswing

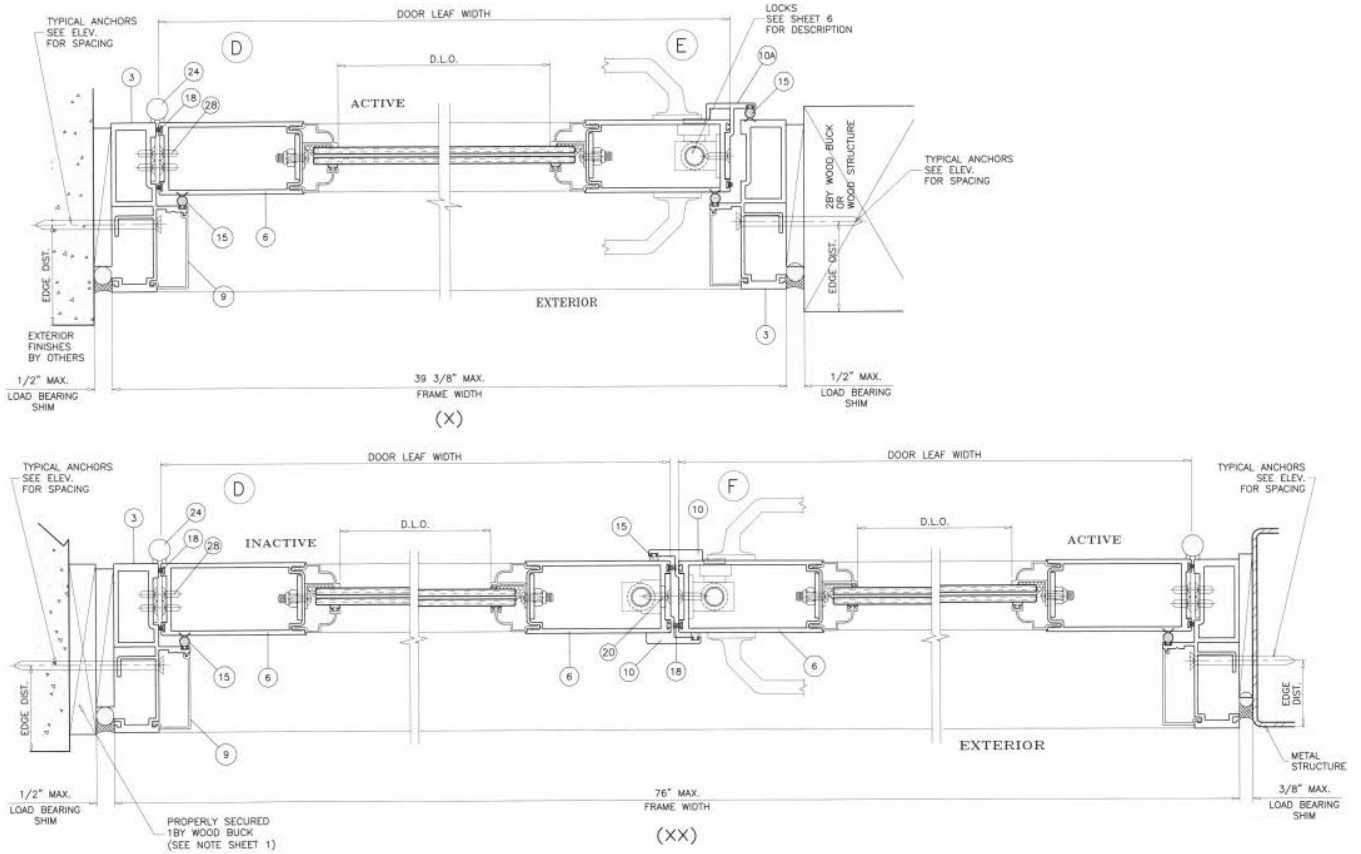


Hinge Right Inswing

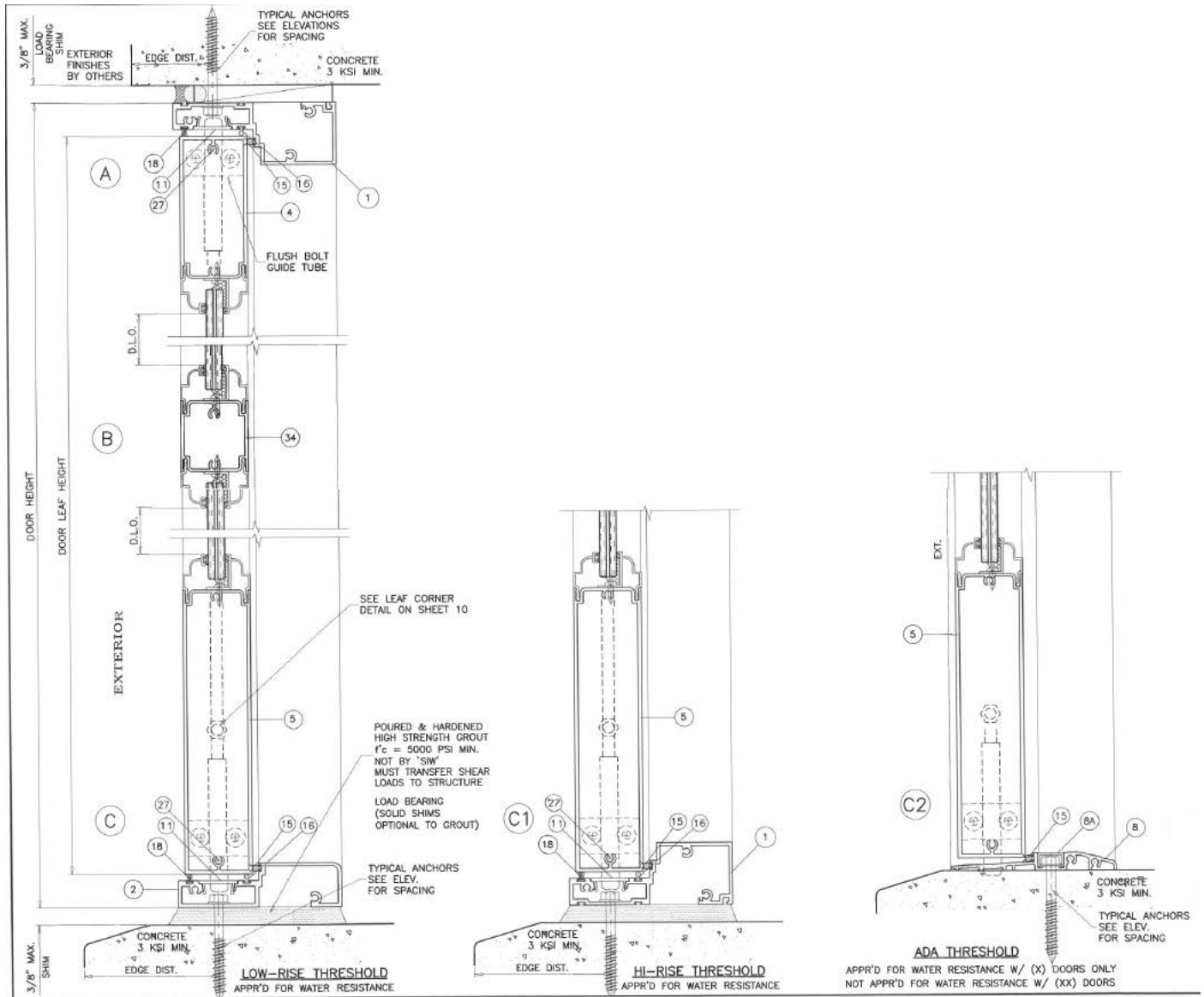
Section Details Inswing



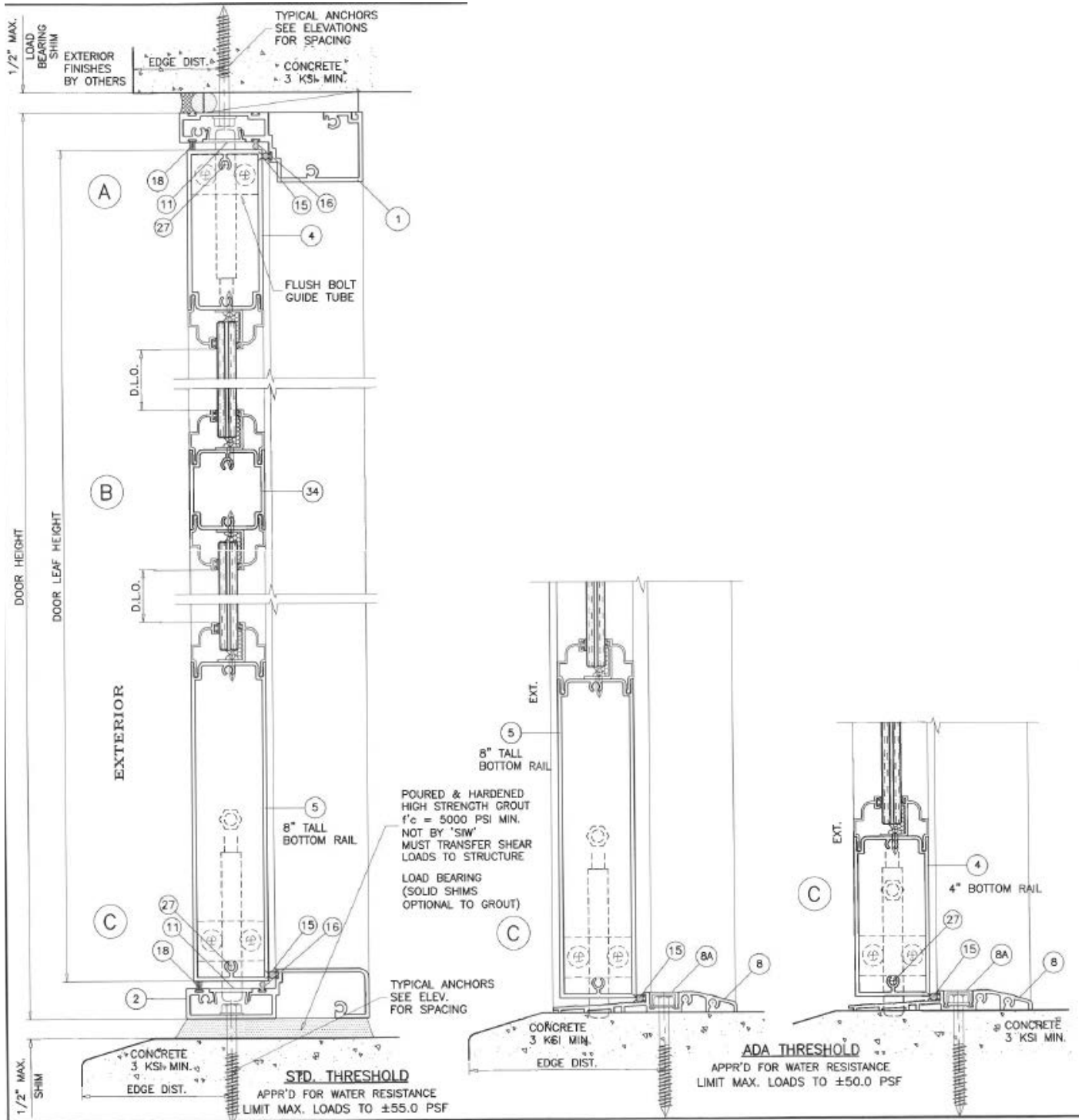
Section Details Inswing



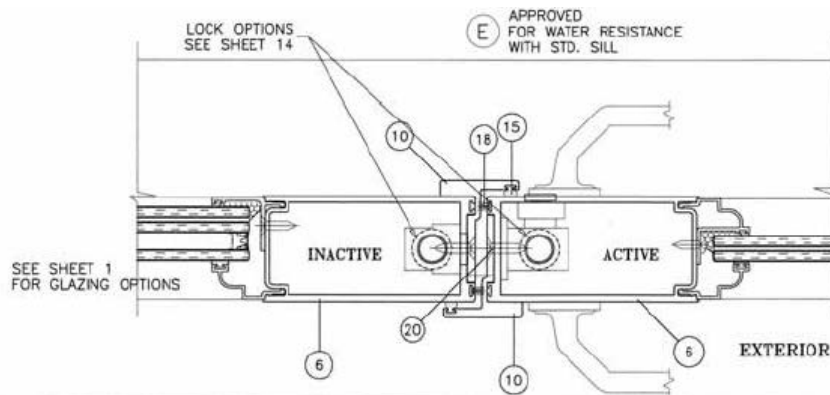
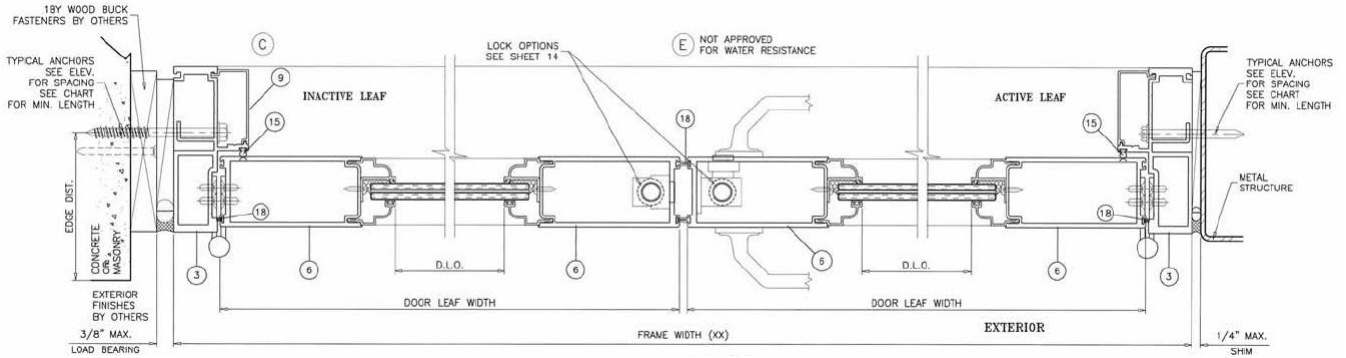
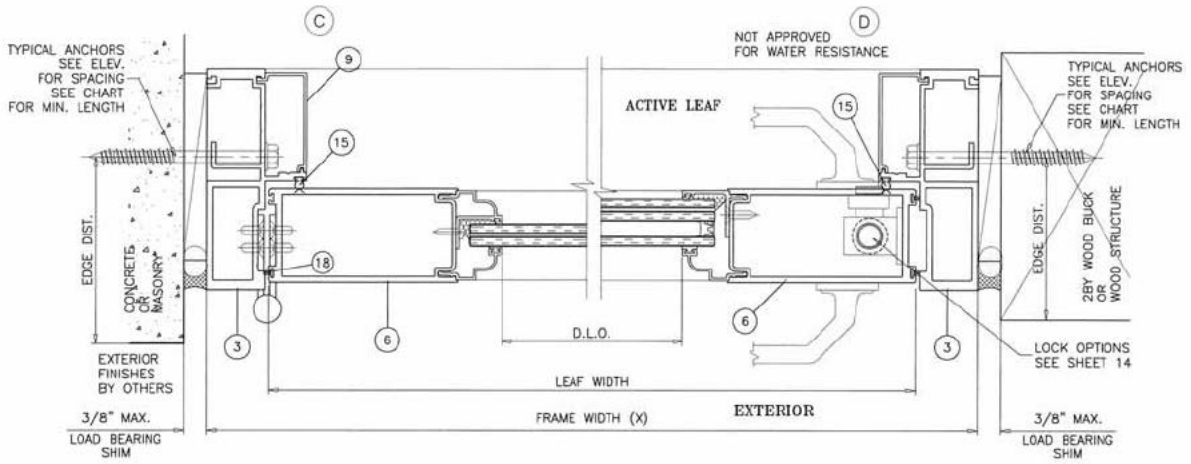
Section Details Outswing



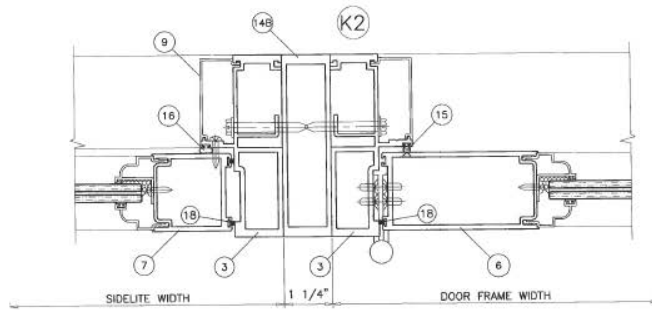
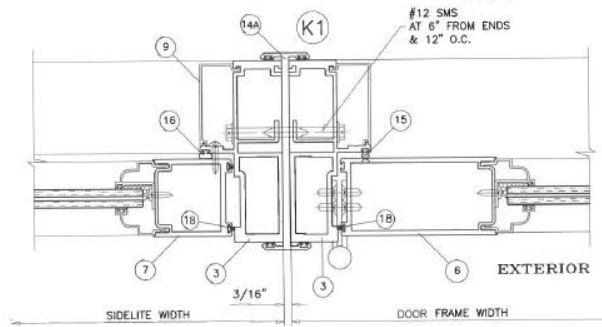
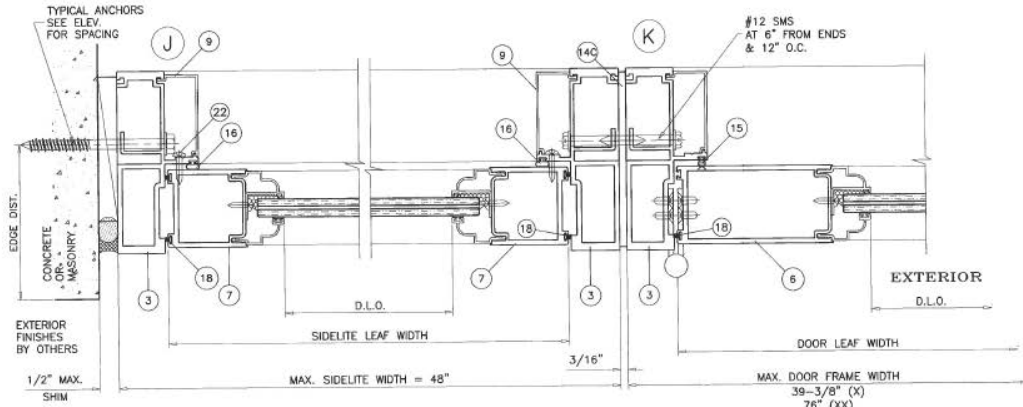
Section Details Outswing



Section Details Outswing

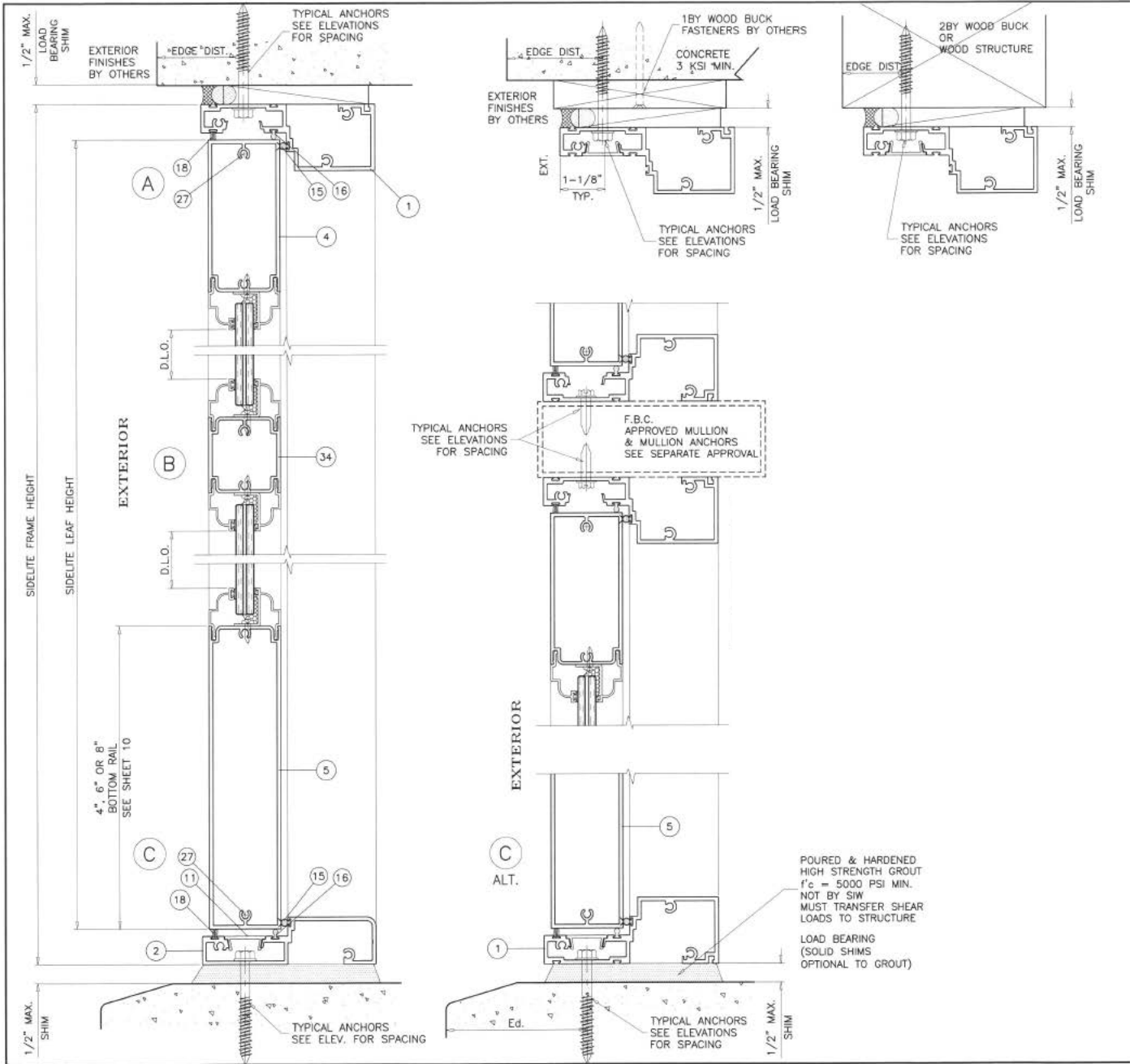


Section Details Mulling

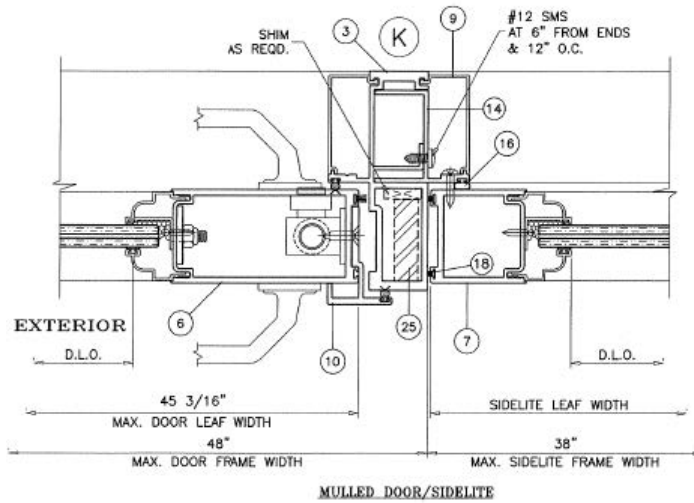
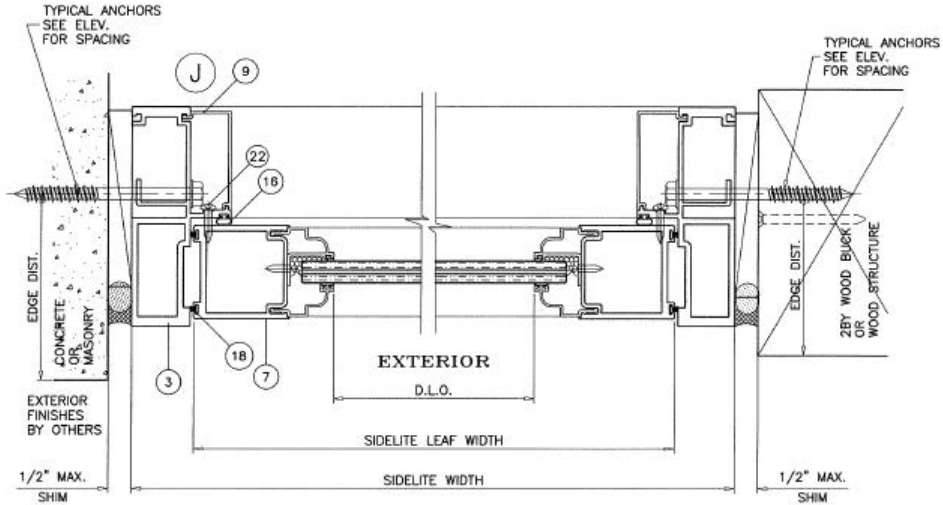


MULLION DETAILS

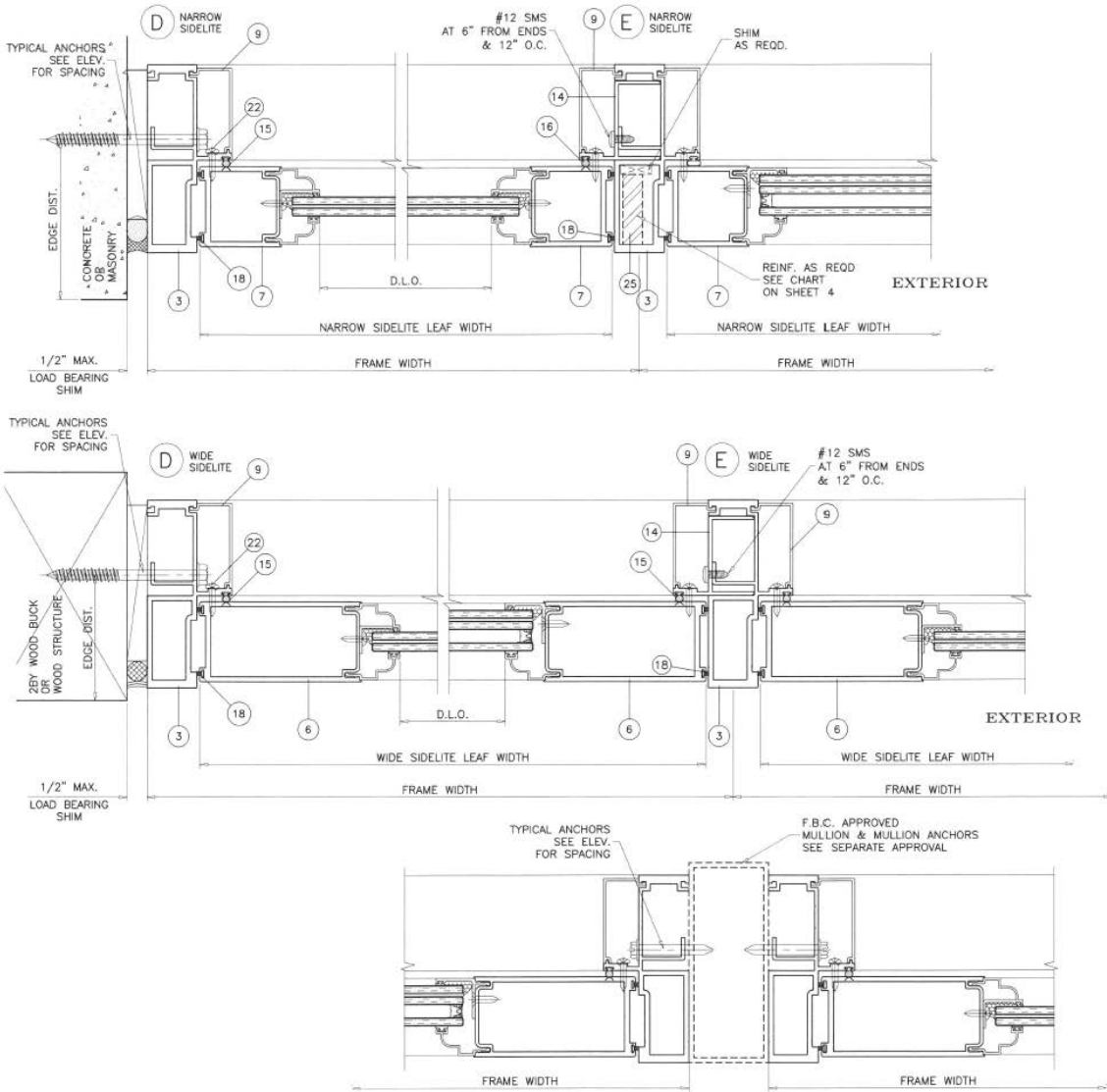
Section Details Sidelite



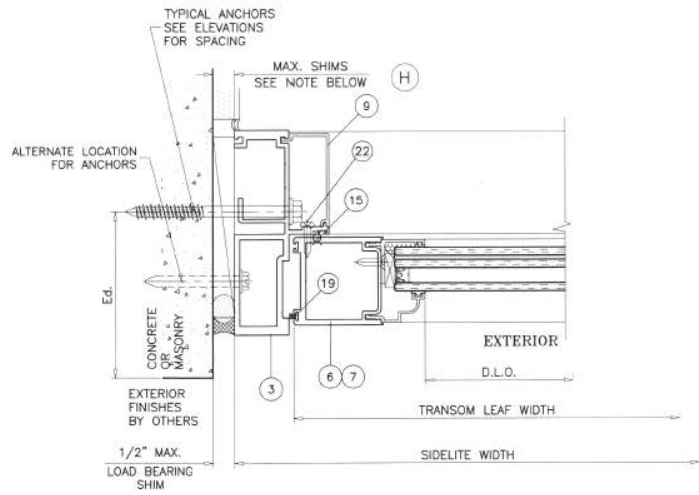
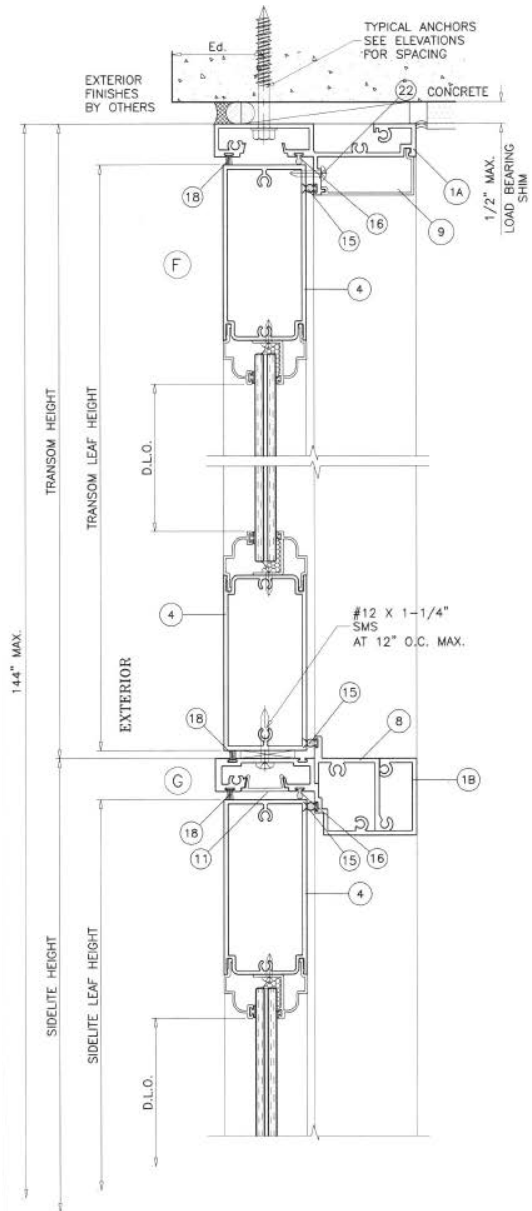
Section Details Sidelite/Transom



Section Details Sidelite/Transom



Section Details Sidelite/Transom Mull



SHIM SPACE AT TRANSOM MULL ENDS:
 ANCHORS INTO WOOD, MASONRY OR CONC.
 1/2" MAX. SHIMS
 ANCHORS INTO METAL STRUCTURES
 1/4" MAX. SHIMS