

Essential Double Hung

Unit Features.....	1
Egress and Vent Measurements: Equal Sash.....	3
Egress and Vent Measurements - Cottage Sash.....	5
Egress and Vent Measurements - Reverse Cottage Sash.....	6
Daylight Measurements: Equal Sash.....	7
Daylight Measurements: Cottage Sash.....	8
Daylight Measurements: Reverse Cottage Sash.....	9
Daylight Measurements: Double Hung Picture and Transom.....	10
Minimum and Maximum Guidelines / Certified Sizes and Rating.....	11
Measurement Conversions - Operator.....	12
Measurement Conversions - Transom and Picture.....	13
Egress Measurements.....	14
Standard Unit Measurement: Equal Sash.....	15
Standard Unit Measurement: Cottage Sash.....	16
Standard Unit Measurement: Reverse Cottage Sash.....	17
Standard Unit Measurement: Double Hung Picture.....	18
Standard Unit Measurement: Double Hung Transom.....	19
Section Details: Operator.....	20
Section Details: Transom/Picture.....	21
Section Details: Divided Lite Options.....	22
Installation Suggestions - Frame Expander.....	23
Installation Suggestions: Brick Veneer with Steel Frame Construction.....	24
Installation Suggestions: Vinyl Siding with 2x6 Frame Construction.....	25
Installation Suggestions: Stucco with 2X6 Frame Construction.....	26

Unit Features

Essential Double Hung: ESDH

For applicable certification and code information, refer to the Introduction and Product Performance chapter.

Frame and Sash:

- The frame and sash exteriors are made of Ultrex®, an advanced fiber reinforced material that is resistant to thermal conductance.
- Exterior colors: Stone White, Pebble Gray, Bronze, Cashmere, Gunmetal, or Ebony.
- Interior coating meets all the requirements in Stone White, Bronze, Gunmetal, Ebony.
- Split finishes are not available on Dark Interior option. Only Bronze interior/Bronze exterior, Gunmetal interior/Gunmetal exterior, and Ebony interior/Ebony exterior combinations are available for dark interior options.

Frame:

- Composite frame thickness is 1 3/8", (35). Frame width is 3 3/32", (79). Flat bottom sill with 11 degree bevel. Ultrex is .065"-070" (2) thick.

Sash:

- Composite sash thickness is 15/16" (24). Ultrex is .065" - .070" (2) thick. Sash can be replaced by cannot be re-glazed.
- Cottage style unit: Sash divided 2/5 over 3/5.
- Oriel style unit: Sash divided 3/5 over 2/5.

Jamb Extension:

- 2" (51) is standard
- 4 9/16" (116) and 6 9/16" (167) maintenance free jamb extension available
- Available in Stone White, Bronze, Gunmetal, or Ebony. Default color will match the unit interior selection. Stone White jamb extension is available for all unit interior color selections.

Hardware:

- Balance system is a coil spring block and tackle system
 - Nylon cord and steel locking shoe
- High pressure zinc die cast check rail lock and keeper.
 - Lock employs a cam-lock mechanism
 - Two locks on rough openings over 30" (762) wide
- Cam Lock, Keeper and Fastener Default Color: Stone White for Stone White Interior, Oil Rubbed Bronze for Bronze Interior, Matte Black for Ebony Interior.
 - Optional Stone White, Almond Frost, Brass, Satin Nickel, Matte Black, and Oil Rubbed Bronze hardware finishes available
- Tilt Latches, Top Sash Pull and Sash Lift will match the unit interior color (Stone White, Bronze, Gunmetal, or Ebony).
- Bottom Sash employs tilt latches to allow for easy tilting of sash
- Optional factory applied Window Opening Control Device is available in Black, White, or Gunmetal color finish. (min size: 17 27/32" (453) x 24" (610) - max size: 36" (914) x 71 1/8" (1807))
- ABS sash travel limiter is available for field application with Stone White or Matte Black screws.
- Non-operable lock is available for field application. Available colors: Stone White, Almond Frost, Brass, Oil Rubbed Bronze, Satin Nickel, Matte Black.

Installation:

- Factory applied folding nailing fin
- Optional through jamb installation method with brackets

Glazing:

- Dual-pane units are manufactured with an 11/16" (17) IG with Low E2, E3, E1, E3/ERS, or no coating including argon gas or air fill.
- Tempered glass and/or obscure glass, and California Fire glass (annealed exterior and tempered interior glazing configuration) are available as an option.
- The glazing seal is a silicone bedding on the exterior surface, and vinyl glazing seal on the interior surface.
- The perimeter spacer default color is mill finish (stainless). An optional black perimeter spacer color is available for all unit interior color selections.
- STC/OITC values are available for 3.1 mm thickness glass.
 - Optional 3.1/4.7 STC/OITC Upgrade glass is available. See the Product Performance chapter for STC and OITC ratings.
- Decorative glass options include frost, glue chip, rain, reed, narrow reed and tinted (bronze, gray or green).
 - Decorative glass is not available with Low E3/ERS or STC/OITC.

Unit Features Continued

Weather Strip:

- Sill is foam filled vinyl bulb. Color: Black
- Bottom sash is sealed to the jambs using foam filled vinyl bulb. Color: Black.
- Top sash is sealed to the jambs using a hollow vinyl bulb. Color: stone white rigid/bulb for Stone White interior, black rigid/bulb for Ebony interior, Gunmetal rigid/black bulb for gunmetal interior, and Bronze rigid/black bulb for Bronze interior.
- Check rails are sealed using rigid vinyl with flexible seal. Top sash check rail cover is black. Bottom sash check rail cover will match the unit interior color (Stone White, Bronze, Gunmetal, or Ebony).

Screen:

- Roll formed aluminum frame with corner key construction
- Available in finish to match the exterior Ultrex frame color
- Charcoal color fiberglass (non-corrosive) screen cloth.
- Spring loaded pins for installation.
- Available in standard full screen or optional half screen

NOTE: Screen bar added when frame OM (height) is equal to or greater than 47 1/2" (1207)

Grilles-Between-The-Glass (GBG):

- 23/32" (18) contoured aluminum bar placed between two panes of glass
- Pattern: Standard rectangular pattern, optional 6 or 9 lite Prairie cut, or Cottage style cut on Double Hung
- Exterior Colors: Stone White, Pebble Gray, Bronze, Cashmere, Gunmetal, or Ebony
- Interior Colors: Stone White, Bronze, Gunmetal, or Ebony (matches unit interior color).
- Not available with tinted glass.

Accessories:

- Field Applied: J-Channel, a 1" (25) or 3" (76) frame expander, Flush Fin installation kit
- Factory Applied: Sheet rock return for 1/2" (13) or 5/8" (16) drywall, a 3/4" (19) receiver, a frame filler or a flush fin.
- Sheet rock return and 3/4" receiver color options: Stone White, Bronze, Gunmetal, or Ebony. Default color will match unit interior selection. Stone White sheet rock return and 3/4" receiver are available for all unit interior color selections.

Exterior Casing:

- Non-integral to the unit
- Fastened to the exterior wall with barb and kerf: 2" brick mould as a full surround or with sill nosing
- 3 1/2" flat casing available as full surround or with sill nosing
- Available with 1" ranch style and header overhang

Mulling:

- For mull performance, refer to the Essential Mulling Chapter of the ADM.
- Mull kits are available for field assembly. Kits include instructions, mull covers, mull plugs and brackets

Egress and Vent Measurements: Equal Sash

CN	Clear Opening Width		Clear Opening Height		Egress Opening		Floor to Sill Height		Vent Opening	
	ft - in	mm	ft - in	mm	ft ²	m ²	ft-in	mm	ft ²	m ²
1620	1-2 9/16	(370)	0-7 7/32	(183)	0.73	(0.07)	5-0 5/8	(1540)	0.73	(678)
1626	1-2 9/16	(370)	0-10 7/32	(259)	1.03	(0.10)	4-6 5/8	(1388)	1.03	(960)
1630	1-2 9/16	(370)	1-1 7/32	(336)	1.34	(0.12)	4-0 5/8	(1236)	1.34	(1242)
1636	1-2 9/16	(370)	1-4 7/32	(412)	1.64	(0.15)	3-6 5/8	(1083)	1.64	(1524)
1640	1-2 9/16	(370)	1-7 7/32	(488)	1.94	(0.18)	3-0 5/8	(931)	1.94	(1806)
1646	1-2 9/16	(370)	1-10 7/32	(564)	2.25	(0.21)	2-6 5/8	(778)	2.25	(2087)
1650	1-2 9/16	(370)	2-1 7/32	(640)	2.55	(0.24)	2-0 5/8	(626)	2.55	(2369)
1656	1-2 9/16	(370)	2-4 7/32	(717)	2.85	(0.26)	1-6 5/8	(474)	2.85	(2651)
1660	1-2 9/16	(370)	2-7 7/32	(793)	3.16	(0.29)	1-0 5/8	(321)	3.16	(2933)
1666	1-2 9/16	(370)	2-10 7/32	(869)	3.46	(0.32)	0-6 5/8	(169)	3.46	(3215)
2020	1-8 9/16	(522)	0-7 7/32	(183)	1.03	(0.10)	5-0 5/8	(1540)	1.03	(958)
2026	1-8 9/16	(522)	0-10 7/32	(259)	1.46	(0.14)	4-6 5/8	(1388)	1.46	(1356)
2030	1-8 9/16	(522)	1-1 7/32	(336)	1.89	(0.18)	4-0 5/8	(1236)	1.89	(1754)
2036	1-8 9/16	(522)	1-4 7/32	(412)	2.31	(0.22)	3-6 5/8	(1083)	2.32	(2152)
2040	1-8 9/16	(522)	1-7 7/32	(488)	2.74	(0.25)	3-0 5/8	(931)	2.74	(2550)
2046	1-8 9/16	(522)	1-10 7/32	(564)	3.17	(0.29)	2-6 5/8	(778)	3.17	(2948)
2050	1-8 9/16	(522)	2-1 7/32	(640)	3.60	(0.33)	2-0 5/8	(626)	3.60	(3346)
2056	1-8 9/16	(522)	2-4 7/32	(717)	4.03	(0.37)	1-6 5/8	(474)	4.03	(3744)
2060	1-8 9/16	(522)	2-7 7/32	(793)	4.46	(0.41)	1-0 5/8	(321)	4.46	(4142)
2066	1-8 9/16	(522)	2-10 7/32	(869)	4.88	(0.45)	0-6 5/8	(169)	4.89	(4539)
2620	2-2 9/16	(675)	0-7 7/32	(183)	1.33	(0.12)	5-0 5/8	(1540)	1.33	(1237)
2626	2-2 9/16	(675)	0-10 7/32	(259)	1.88	(0.17)	4-6 5/8	(1388)	1.88	(1751)
2630	2-2 9/16	(675)	1-1 7/32	(336)	2.44	(0.23)	4-0 5/8	(1236)	2.44	(2265)
2636	2-2 9/16	(675)	1-4 7/32	(412)	2.99	(0.28)	3-6 5/8	(1083)	2.99	(2779)
2640	2-2 9/16	(675)	1-7 7/32	(488)	3.54	(0.33)	3-0 5/8	(931)	3.55	(3294)
2646	2-2 9/16	(675)	1-10 7/32	(564)	4.10	(0.38)	2-6 5/8	(778)	4.10	(3808)
2650	2-2 9/16	(675)	2-1 7/32	(640)	4.65	(0.43)	2-0 5/8	(626)	4.65	(4322)
2656	2-2 9/16	(675)	2-4 7/32	(717)	5.20	(0.48)	1-6 5/8	(474)	5.21	(4836)
2660 E	2-2 9/16	(675)	2-7 7/32	(793)	5.76	(0.53)	1-0 5/8	(321)	5.76	(5350)
2666 E	2-2 9/16	(675)	2-10 7/32	(869)	6.31	(0.59)	0-6 5/8	(169)	6.31	(5864)
2820	2-4 9/16	(725)	0-7 7/32	(183)	1.43	(0.13)	5-0 5/8	(1540)	1.43	(1330)
2826	2-4 9/16	(725)	0-10 7/32	(259)	2.02	(0.19)	4-6 5/8	(1388)	2.03	(1883)
2830	2-4 9/16	(725)	1-1 7/32	(336)	2.62	(0.24)	4-0 5/8	(1236)	2.62	(2436)
2836	2-4 9/16	(725)	1-4 7/32	(412)	3.21	(0.30)	3-6 5/8	(1083)	3.22	(2989)
2840	2-4 9/16	(725)	1-7 7/32	(488)	3.81	(0.35)	3-0 5/8	(931)	3.81	(3542)
2846	2-4 9/16	(725)	1-10 7/32	(564)	4.40	(0.41)	2-6 5/8	(778)	4.41	(4094)
2850	2-4 9/16	(725)	2-1 7/32	(640)	5.00	(0.46)	2-0 5/8	(626)	5.00	(4647)
2856	2-4 9/16	(725)	2-4 7/32	(717)	5.59	(0.52)	1-6 5/8	(474)	5.60	(5200)
2860 E	2-4 9/16	(725)	2-7 7/32	(793)	6.19	(0.58)	1-0 5/8	(321)	6.19	(5753)
2866 E	2-4 9/16	(725)	2-10 7/32	(869)	6.78	(0.63)	0-6 5/8	(169)	6.79	(6306)

Egress and Vent Measurements: Equal Sash

CN	Clear Opening Width		Clear Opening Height		Egress Opening		Floor to Sill Height		Vent Opening	
	ft - in	mm	ft - in	mm	ft ²	m ²	ft-in	mm	ft ²	m ²
3020	2-8 9/16	(827)	0-7 7/32	(183)	1.63	(0.15)	5-0 5/8	(1540)	1.63	(1517)
3026	2-8 9/16	(827)	0-10 7/32	(259)	2.31	(0.21)	4-6 5/8	(1388)	2.31	(2147)
3030	2-8 9/16	(827)	1-1 7/32	(336)	2.99	(0.28)	4-0 5/8	(1236)	2.99	(2777)
3036	2-8 9/16	(827)	1-4 7/32	(412)	3.67	(0.34)	3-6 5/8	(1083)	3.67	(3407)
3040	2-8 9/16	(827)	1-7 7/32	(488)	4.34	(0.40)	3-0 5/8	(931)	4.35	(4037)
3046	2-8 9/16	(827)	1-10 7/32	(564)	5.02	(0.47)	2-6 5/8	(778)	5.02	(4668)
3050 E	2-8 9/16	(827)	2-1 7/32	(640)	5.70	(0.53)	2-0 5/8	(626)	5.70	(5298)
3056 E	2-8 9/16	(827)	2-4 7/32	(717)	6.38	(0.59)	1-6 5/8	(474)	6.38	(5928)
3060 E	2-8 9/16	(827)	2-7 7/32	(793)	7.06	(0.66)	1-0 5/8	(321)	7.06	(6558)
3066 E	2-8 9/16	(827)	2-10 7/32	(869)	7.74	(0.72)	0-6 5/8	(169)	7.74	(7189)
3620	3-2 9/16	(979)	0-7 7/32	(183)	1.93	(0.18)	5-0 5/8	(1540)	1.93	(1796)
3626	3-2 9/16	(979)	0-10 7/32	(259)	2.73	(0.25)	4-6 5/8	(1388)	2.74	(2542)
3630	3-2 9/16	(979)	1-1 7/32	(336)	3.54	(0.33)	4-0 5/8	(1236)	3.54	(3289)
3636	3-2 9/16	(979)	1-4 7/32	(412)	4.34	(0.40)	3-6 5/8	(1083)	4.34	(4035)
3640	3-2 9/16	(979)	1-7 7/32	(488)	5.14	(0.48)	3-0 5/8	(931)	5.15	(4781)
3646	3-2 9/16	(979)	1-10 7/32	(564)	5.95	(0.55)	2-6 5/8	(778)	5.95	(5528)
3650 E	3-2 9/16	(979)	2-1 7/32	(640)	6.75	(0.63)	2-0 5/8	(626)	6.75	(6274)
3656 E	3-2 9/16	(979)	2-4 7/32	(717)	7.55	(0.70)	1-6 5/8	(474)	7.56	(7021)
3660 E	3-2 9/16	(979)	2-7 7/32	(793)	8.36	(0.78)	1-0 5/8	(321)	8.36	(7767)
3666 E	3-2 9/16	(979)	2-10 7/32	(869)	9.16	(0.85)	0-6 5/8	(169)	9.16	(8513)
4020	3-8 9/16	(1132)	0-7 7/32	(183)	2.23	(0.21)	5-0 5/8	(1540)	2.23	(2075)
4026	3-8 9/16	(1132)	0-10 7/32	(259)	3.16	(0.29)	4-6 5/8	(1388)	3.16	(2938)
4030	3-8 9/16	(1132)	1-1 7/32	(336)	4.09	(0.38)	4-0 5/8	(1236)	4.09	(3800)
4036	3-8 9/16	(1132)	1-4 7/32	(412)	5.02	(0.47)	3-6 5/8	(1083)	5.02	(4663)
4040 E	3-8 9/16	(1132)	1-7 7/32	(488)	5.94	(0.55)	3-0 5/8	(931)	5.95	(5525)
4046 E	3-8 9/16	(1132)	1-10 7/32	(564)	6.87	(0.64)	2-6 5/8	(778)	6.88	(6388)
4050 E	3-8 9/16	(1132)	2-1 7/32	(640)	7.80	(0.72)	2-0 5/8	(626)	7.80	(7250)
4056 E	3-8 9/16	(1132)	2-4 7/32	(717)	8.73	(0.81)	1-6 5/8	(474)	8.73	(8113)
4060 E	3-8 9/16	(1132)	2-7 7/32	(793)	9.66	(0.90)	1-0 5/8	(321)	9.66	(8975)
4066 E	3-8 9/16	(1132)	2-10 7/32	(869)	10.59	(0.98)	0-6 5/8	(169)	10.59	(9838)

Egress and Vent Measurements - Cottage Sash

Essential Double Hung - Cottage												
CN	Clear Opening Width		Clear Opening Height		Egress Opening		Floor to Sill Height		Vent Opening		Check Rail Height	
	ft - in	mm	ft - in	mm	ft ²	cm ²	ft-in	mm	ft ²	cm ²	ft - in	mm
1626	1-2 9/16	(370)	0-7 23/32	(196)	0.78	(725.18)	4-6 41/64	(1388)	0.78	(725)	1-5 11/16	(449)
1630	1-2 9/16	(370)	0-10 1/8	(257)	1.02	(950.63)	4-0 41/64	(1236)	1.02	(951)	1-9 9/32	(541)
1636	1-2 9/16	(370)	1-0 33/64	(318)	1.27	(1176.07)	3-6 41/64	(1083)	1.27	(1176)	2-0 7/8	(632)
1640	1-2 9/16	(370)	1-2 59/64	(379)	1.51	(1401.51)	3-0 41/64	(931)	1.51	(1402)	2-4 31/64	(723)
1646	1-2 9/16	(370)	1-5 5/16	(440)	1.75	(1626.96)	2-6 41/64	(778)	1.75	(1627)	2-8 5/64	(815)
1650	1-2 9/16	(370)	1-7 23/32	(501)	1.99	(1852.40)	2-0 41/64	(626)	1.99	(1852)	2-11 11/16	(906)
1656	1-2 9/16	(370)	1-10 13/64	(564)	2.25	(2086.30)	1-6 41/64	(474)	2.25	(2086)	3-3 3/16	(995)
2026	1-8 9/16	(522)	0-7 23/32	(196)	1.10	(1024.02)	4-6 41/64	(1388)	1.10	(1024)	1-5 11/16	(449)
2030	1-8 9/16	(522)	0-10 1/8	(257)	1.44	(1342.37)	4-0 41/64	(1236)	1.44	(1342)	1-9 9/32	(541)
2036	1-8 9/16	(522)	1-0 33/64	(318)	1.79	(1660.71)	3-6 41/64	(1083)	1.79	(1661)	2-0 7/8	(632)
2040	1-8 9/16	(522)	1-2 59/64	(379)	2.13	(1979.06)	3-0 41/64	(931)	2.13	(1979)	2-4 31/64	(723)
2046	1-8 9/16	(522)	1-5 5/16	(440)	2.47	(2297.41)	2-6 41/64	(778)	2.47	(2297)	2-8 5/64	(815)
2050	1-8 9/16	(522)	1-7 23/32	(501)	2.82	(2615.76)	2-0 41/64	(626)	2.82	(2616)	2-11 11/16	(906)
2056	1-8 9/16	(522)	1-10 13/64	(564)	3.17	(2946.04)	1-6 41/64	(474)	3.17	(2946)	3-3 3/16	(995)
2626	2-2 9/16	(675)	0-7 23/32	(196)	1.42	(1322.86)	4-6 41/64	(1388)	1.42	(1323)	1-5 43/64	(449)
2630	2-2 9/16	(675)	0-10 1/8	(257)	1.87	(1734.11)	4-0 41/64	(1236)	1.87	(1734)	1-9 9/32	(541)
2636	2-2 9/16	(675)	1-0 33/64	(318)	2.31	(2145.36)	3-6 41/64	(1083)	2.31	(2145)	2-0 7/8	(632)
2640	2-2 9/16	(675)	1-2 59/64	(379)	2.75	(2556.61)	3-0 41/64	(931)	2.75	(2557)	2-4 31/64	(723)
2646	2-2 9/16	(675)	1-5 5/16	(440)	3.19	(2967.86)	2-6 41/64	(778)	3.19	(2968)	2-8 5/64	(815)
2650	2-2 9/16	(675)	1-7 23/32	(501)	3.64	(3379.11)	2-0 41/64	(626)	3.64	(3379)	2-11 11/16	(906)
2656	2-2 9/16	(675)	1-10 13/64	(564)	4.10	(3805.78)	1-6 41/64	(474)	4.10	(3806)	3-3 3/16	(995)
2826	2-4 9/16	(725)	0-7 23/32	(196)	1.53	(1422.47)	4-6 41/64	(1388)	1.53	(1422)	1-5 11/16	(449)
2830	2-4 9/16	(725)	0-10 1/8	(257)	2.01	(1864.69)	4-0 41/64	(1236)	2.01	(1865)	1-9 9/32	(541)
2836	2-4 9/16	(725)	1-0 33/64	(318)	2.48	(2306.91)	3-6 41/64	(1083)	2.48	(2307)	2-0 7/8	(632)
2840	2-4 9/16	(725)	1-2 59/64	(379)	2.96	(2749.12)	3-0 41/64	(931)	2.96	(2749)	2-4 31/64	(723)
2846	2-4 9/16	(725)	1-5 5/16	(440)	3.44	(3191.34)	2-6 41/64	(778)	3.44	(3191)	2-8 5/64	(815)
2850	2-4 9/16	(725)	1-7 23/32	(501)	3.91	(3633.56)	2-0 41/64	(626)	3.91	(3634)	2-11 11/16	(906)
2856	2-4 9/16	(725)	1-10 13/64	(564)	4.40	(4092.36)	1-6 41/64	(474)	4.40	(4092)	3-3 3/16	(995)
3026	2-8 9/16	(827)	0-7 23/32	(196)	1.75	(1621.69)	4-6 41/64	(1388)	1.75	(1622)	1-5 11/16	(449)
3030	2-8 9/16	(827)	0-10 1/8	(257)	2.29	(2125.85)	4-0 41/64	(1236)	2.29	(2126)	1-9 9/32	(541)
3036	2-8 9/16	(827)	1-0 33/64	(318)	2.83	(2630.00)	3-6 41/64	(1083)	2.83	(2630)	2-0 7/8	(632)
3040	2-8 9/16	(827)	1-2 59/64	(379)	3.37	(3134.16)	3-0 41/64	(931)	3.37	(3134)	2-4 31/64	(723)
3046	2-8 9/16	(827)	1-5 5/16	(440)	3.92	(3638.31)	2-6 41/64	(778)	3.92	(3638)	2-8 5/64	(815)
3050	2-8 9/16	(827)	1-7 23/32	(501)	4.46	(4142.46)	2-0 41/64	(626)	4.46	(4142)	2-11 11/16	(906)
3056	2-8 9/16	(827)	1-10 13/64	(564)	5.02	(4665.52)	1-6 41/64	(474)	5.02	(4666)	3-3 3/16	(995)
3626	3-2 9/16	(979)	0-7 23/32	(196)	2.07	(1920.53)	4-6 41/64	(1388)	2.07	(1921)	1-5 11/16	(449)
3630	3-2 9/16	(979)	0-10 1/8	(257)	2.71	(2517.59)	4-0 41/64	(1236)	2.71	(2518)	1-9 9/32	(541)
3636	3-2 9/16	(979)	1-0 33/64	(318)	3.35	(3114.65)	3-6 41/64	(1083)	3.35	(3115)	2-0 7/8	(632)
3640	3-2 9/16	(979)	1-2 59/64	(379)	4.00	(3711.70)	3-0 41/64	(931)	4.00	(3712)	2-4 31/64	(723)
3646	3-2 9/16	(979)	1-5 5/16	(440)	4.64	(4308.76)	2-6 41/64	(778)	4.64	(4309)	2-8 5/64	(815)
3650	3-2 9/16	(979)	1-7 23/32	(501)	5.28	(4905.82)	2-0 41/64	(626)	5.28	(4906)	2-11 11/16	(906)
3656	3-2 9/16	(979)	1-10 13/64	(564)	5.95	(5525.26)	1-6 41/64	(474)	5.95	(5525)	3-3 3/16	(995)
4026	3-8 9/16	(1132)	0-7 23/32	(196)	2.39	(2219.37)	4-6 41/64	(1388)	2.39	(2219)	1-5 11/16	(449)
4030	3-8 9/16	(1132)	0-10 1/8	(257)	3.13	(2909.33)	4-0 41/64	(1236)	3.13	(2909)	1-9 9/32	(541)
4036	3-8 9/16	(1132)	1-0 33/64	(318)	3.87	(3599.29)	3-6 41/64	(1083)	3.87	(3599)	2-0 7/8	(632)
4040	3-8 9/16	(1132)	1-2 59/64	(379)	4.62	(4289.25)	3-0 41/64	(931)	4.62	(4289)	2-4 31/64	(723)
4046	3-8 9/16	(1132)	1-5 5/16	(440)	5.36	(4979.21)	2-6 41/64	(778)	5.36	(4979)	2-8 5/64	(815)
4050	3-8 9/16	(1132)	1-7 23/32	(501)	6.10	(5669.17)	2-0 41/64	(626)	6.10	(5669)	2-11 11/16	(906)
4056	3-8 9/16	(1132)	1-10 13/64	(564)	6.87	(6385.00)	1-6 41/64	(474)	6.87	(6385)	3-3 3/16	(995)

Egress and Vent Measurements - Reverse Cottage Sash

Essential Double Hung - Reverse Cottage												
CN	Clear Opening Width		Clear Opening Height		Egress Opening		Floor to Sill Height		Vent Opening		Check Rail Height	
	ft - in	mm	ft - in	mm	ft ²	cm ²	ft-in	mm	ft ²	cm ²	ft - in	mm
1626	1-2 9/16	(370)	0-7 23/32	(196)	0.78	(725)	4-6 41/64	(1388)	0.78	(725)	1-0 45/64	(323)
1630	1-2 9/16	(370)	0-10 1/8	(257)	1.02	(951)	4-0 41/64	(1236)	1.02	(951)	1-3 7/64	(384)
1636	1-2 9/16	(370)	1-0 33/64	(318)	1.27	(1176)	3-6 41/64	(1083)	1.27	(1176)	1-5 33/64	(445)
1640	1-2 9/16	(370)	1-2 59/64	(379)	1.51	(1402)	3-0 41/64	(931)	1.51	(1402)	1-7 29/32	(506)
1646	1-2 9/16	(370)	1-5 5/16	(440)	1.75	(1627)	2-6 41/64	(778)	1.75	(1627)	1-10 5/16	(567)
1650	1-2 9/16	(370)	1-7 23/32	(501)	1.99	(1852)	2-0 41/64	(626)	1.99	(1852)	2-0 45/64	(628)
1656	1-2 9/16	(370)	1-10 13/64	(564)	2.25	(2086)	1-6 41/64	(474)	2.25	(2086)	2-3 3/16	(691)
2026	1-8 9/16	(522)	0-7 23/32	(196)	1.10	(1024)	4-6 41/64	(1388)	1.10	(1024)	1-0 45/64	(323)
2030	1-8 9/16	(522)	0-10 1/8	(257)	1.44	(1342)	4-0 41/64	(1236)	1.44	(1342)	1-3 7/64	(384)
2036	1-8 9/16	(522)	1-0 33/64	(318)	1.79	(1661)	3-6 41/64	(1083)	1.79	(1661)	1-5 33/64	(445)
2040	1-8 9/16	(522)	1-2 59/64	(379)	2.13	(1979)	3-0 41/64	(931)	2.13	(1979)	1-7 29/32	(506)
2046	1-8 9/16	(522)	1-5 5/16	(440)	2.47	(2297)	2-6 41/64	(778)	2.47	(2297)	1-10 5/16	(567)
2050	1-8 9/16	(522)	1-7 23/32	(501)	2.82	(2616)	2-0 41/64	(626)	2.82	(2616)	2-0 45/64	(628)
2056	1-8 9/16	(522)	1-10 13/64	(564)	3.17	(2946)	1-6 41/64	(474)	3.17	(2946)	2-3 3/16	(691)
2626	2-2 9/16	(675)	0-7 23/32	(196)	1.42	(1323)	4-6 41/64	(1388)	1.42	(1323)	1-0 45/64	(323)
2630	2-2 9/16	(675)	0-10 1/8	(257)	1.87	(1734)	4-0 41/64	(1236)	1.87	(1734)	1-3 7/64	(384)
2636	2-2 9/16	(675)	1-0 33/64	(318)	2.31	(2145)	3-6 41/64	(1083)	2.31	(2145)	1-5 33/64	(445)
2640	2-2 9/16	(675)	1-2 59/64	(379)	2.75	(2557)	3-0 41/64	(931)	2.75	(2557)	1-7 29/32	(506)
2646	2-2 9/16	(675)	1-5 5/16	(440)	3.19	(2968)	2-6 41/64	(778)	3.19	(2968)	1-10 5/16	(567)
2650	2-2 9/16	(675)	1-7 23/32	(501)	3.64	(3379)	2-0 41/64	(626)	3.64	(3379)	2-0 45/64	(628)
2656	2-2 9/16	(675)	1-10 13/64	(564)	4.10	(3806)	1-6 41/64	(474)	4.10	(3806)	2-3 3/16	(691)
2826	2-4 9/16	(725)	0-7 23/32	(196)	1.53	(1422)	4-6 41/64	(1388)	1.53	(1422)	1-0 45/64	(323)
2830	2-4 9/16	(725)	0-10 1/8	(257)	2.01	(1865)	4-0 41/64	(1236)	2.01	(1865)	1-3 7/64	(384)
2836	2-4 9/16	(725)	1-0 33/64	(318)	2.48	(2307)	3-6 41/64	(1083)	2.48	(2307)	1-5 33/64	(445)
2840	2-4 9/16	(725)	1-2 59/64	(379)	2.96	(2749)	3-0 41/64	(931)	2.96	(2749)	1-7 29/32	(506)
2846	2-4 9/16	(725)	1-5 5/16	(440)	3.44	(3191)	2-6 41/64	(778)	3.44	(3191)	1-10 5/16	(567)
2850	2-4 9/16	(725)	1-7 23/32	(501)	3.91	(3634)	2-0 41/64	(626)	3.91	(3634)	2-0 45/64	(628)
2856	2-4 9/16	(725)	1-10 13/64	(564)	4.40	(4092)	1-6 41/64	(474)	4.40	(4092)	2-3 3/16	(691)
3026	2-8 9/16	(827)	0-7 23/32	(196)	1.75	(1622)	4-6 41/64	(1388)	1.75	(1622)	1-0 45/64	(323)
3030	2-8 9/16	(827)	0-10 1/8	(257)	2.29	(2126)	4-0 41/64	(1236)	2.29	(2126)	1-3 7/64	(384)
3036	2-8 9/16	(827)	1-0 33/64	(318)	2.83	(2630)	3-6 41/64	(1083)	2.83	(2630)	1-5 33/64	(445)
3040	2-8 9/16	(827)	1-2 59/64	(379)	3.37	(3134)	3-0 41/64	(931)	3.37	(3134)	1-7 29/32	(506)
3046	2-8 9/16	(827)	1-5 5/16	(440)	3.92	(3638)	2-6 41/64	(778)	3.92	(3638)	1-10 5/16	(567)
3050	2-8 9/16	(827)	1-7 23/32	(501)	4.46	(4142)	2-0 41/64	(626)	4.46	(4142)	2-0 45/64	(628)
3056	2-8 9/16	(827)	1-10 13/64	(564)	5.02	(4666)	1-6 41/64	(474)	5.02	(4666)	2-3 3/16	(691)
3626	3-2 9/16	(979)	0-7 23/32	(196)	2.07	(1921)	4-6 41/64	(1388)	2.07	(1921)	1-0 45/64	(323)
3630	3-2 9/16	(979)	0-10 1/8	(257)	2.71	(2518)	4-0 41/64	(1236)	2.71	(2518)	1-3 7/64	(384)
3636	3-2 9/16	(979)	1-0 33/64	(318)	3.35	(3115)	3-6 41/64	(1083)	3.35	(3115)	1-5 33/64	(445)
3640	3-2 9/16	(979)	1-2 59/64	(379)	4.00	(3712)	3-0 41/64	(931)	4.00	(3712)	1-7 29/32	(506)
3646	3-2 9/16	(979)	1-5 5/16	(440)	4.64	(4309)	2-6 41/64	(778)	4.64	(4309)	1-10 5/16	(567)
3650	3-2 9/16	(979)	1-7 23/32	(501)	5.28	(4906)	2-0 41/64	(626)	5.28	(4906)	2-0 45/64	(628)
3656	3-2 9/16	(979)	1-10 13/64	(564)	5.95	(5525)	1-6 41/64	(474)	5.95	(5525)	2-3 3/16	(691)
4026	3-8 9/16	(1132)	0-7 23/32	(196)	2.39	(2219)	4-6 41/64	(1388)	2.39	(2219)	1-0 45/64	(323)
4030	3-8 9/16	(1132)	0-10 1/8	(257)	3.13	(2909)	4-0 41/64	(1236)	3.13	(2909)	1-3 7/64	(384)
4036	3-8 9/16	(1132)	1-0 33/64	(318)	3.87	(3599)	3-6 41/64	(1083)	3.87	(3599)	1-5 33/64	(445)
4040	3-8 9/16	(1132)	1-2 59/64	(379)	4.62	(4289)	3-0 41/64	(931)	4.62	(4289)	1-7 29/32	(506)
4046	3-8 9/16	(1132)	1-5 5/16	(440)	5.36	(4979)	2-6 41/64	(778)	5.36	(4979)	1-10 5/16	(567)
4050	3-8 9/16	(1132)	1-7 23/32	(501)	6.10	(5669)	2-0 41/64	(626)	6.10	(5669)	2-0 45/64	(628)
4056	3-8 9/16	(1132)	1-10 13/64	(564)	6.87	(6385)	1-6 41/64	(474)	6.87	(6385)	2-3 3/16	(691)

Daylight Measurements: Equal Sash

Essential Single / Double Hung Daylight Measurements			Width								
			CN	16		20		26		28	
			DLO	12 9/16	(319)	18 9/16	(471)	24 9/16	(624)	26 9/16	(675)
CN	DLO Height		Square Feet (Square Meters)								
20	8 5/16	(211)	1.45	(0.13)	2.14	(0.20)	2.83	(0.26)	3.07	(0.28)	
26	11 5/16	(287)	1.97	(0.18)	2.92	(0.27)	3.86	(0.36)	4.17	(0.39)	
30	14 5/16	(363)	2.50	(0.23)	3.69	(0.34)	4.88	(0.45)	5.28	(0.49)	
36	17 5/16	(440)	3.02	(0.28)	4.46	(0.41)	5.90	(0.55)	6.39	(0.59)	
40	20 5/16	(516)	3.54	(0.33)	5.24	(0.49)	6.93	(0.64)	7.49	(0.70)	
46	23 5/16	(592)	4.07	(0.38)	6.01	(0.56)	7.95	(0.74)	8.60	(0.80)	
50	26 5/16	(668)	4.59	(0.43)	6.78	(0.63)	8.97	(0.83)	9.71	(0.90)	
56	29 5/16	(744)	5.11	(0.48)	7.56	(0.70)	10. 0	(0.93)	10.81	(1.00)	
60	32 5/16	(821)	5.64	(0.52)	8.33	(0.77)	11.02	(1.02)	11.92	(1.11)	
66	35 5/16	(897)	6.16	(0.57)	9.10	(0.85)	12.04	(1.12)	13.03	(1.21)	

Essential Single / Double Hung Daylight Measurements			Width						
			CN	30		36		40	
			DLO	30 9/16	(776)	36 9/16	(929)	42 9/16	(1081)
CN	DLO Height		Square Feet (Square Meters)						
20	8 5/16	(211)	3.53	(0.33)	4.22	(0.39)	4.91	(0.46)	
26	11 5/16	(287)	4.80	(0.45)	5.74	(0.53)	6.69	(0.62)	
30	14 5/16	(363)	6.07	(0.56)	7.27	(0.68)	8.46	(0.79)	
36	17 5/16	(440)	7.35	(0.68)	8.79	(0.82)	10.23	(0.95)	
40	20 5/16	(516)	8.62	(0.80)	10.31	(0.96)	12.01	(1.12)	
46	23 5/16	(592)	9.89	(0.92)	11.84	(1.10)	13.78	(1.28)	
50	26 5/16	(668)	11.17	(1.04)	13.36	(1.24)	15.55	(1.44)	
56	29 5/16	(744)	12.44	(1.16)	14.88	(1.38)	17.33	(1.61)	
60	32 5/16	(821)	13.71	(1.27)	16.41	(1.52)	19.10	(1.77)	
66	35 5/16	(897)	14.99	(1.39)	17.93	(1.67)	20.87	(1.94)	

Daylight Measurements: Cottage Sash

Essential Double Hung Cottage Daylight Measurements			Width								
			CN	16		20		26		28	
			DLO	12 9/16	(319)	18 9/16	(471)	24 9/16	(624)	26 9/16	(675)
CN	DLO Height Top Sash	DLO Height Bottom Sash	Square Feet (Square Meters)								
			26	8 53/64 (224)	13 51/64 (350)	2.41 (0.22)	3.55 (0.33)	4.70 (0.44)	5.09 (0.47)		
30	11 15/64 (285)	17 25/64 (442)	3.03 (0.28)	4.48 (0.42)	5.93 (0.55)	6.41 (0.60)					
36	13 5/8 (346)	20 63/64 (533)	3.66 (0.34)	5.41 (0.50)	7.16 (0.67)	7.74 (0.72)					
40	16 1/32 (407)	24 19/32 (625)	4.29 (0.40)	6.34 (0.59)	8.39 (0.78)	9.07 (0.84)					
46	18 7/16 (468)	28 3/16 (716)	4.92 (0.46)	7.27 (0.68)	9.62 (0.89)	10.40 (0.97)					
50	20 53/64 (529)	31 51/64 (807)	5.55 (0.52)	8.19 (0.76)	10.84 (1.01)	11.73 (1.09)					
56	23 5/16 (592)	35 5/16 (897)	6.16 (0.57)	9.10 (0.85)	12.04 (1.12)	13.03 (1.21)					

Essential Double Hung Cottage Daylight Measurements			Width					
			30		36		40	
			30 9/16	(776)	36 9/16	(929)	42 9/16	(1081)
CN	DLO Height Top Sash	DLO Height Bottom Sash	Square Feet (Square Meters)					
			26	8 53/64 (224)	13 51/64 (350)	5.85 (0.54)	7.00 (0.65)	8.15 (0.76)
30	11 15/64 (285)	17 25/64 (442)	2.38 (0.22)	8.83 (0.82)	10.28 (0.95)			
36	13 5/8 (346)	20 63/64 (533)	2.80 (0.26)	10.66 (0.99)	12.41 (1.15)			
40	16 1/32 (407)	24 19/32 (625)	3.22 (0.30)	12.49 (1.16)	14.54 (1.35)			
46	18 7/16 (468)	28 3/16 (716)	3.63 (0.34)	14.31 (1.33)	16.66 (1.55)			
50	20 53/64 (529)	31 51/64 (807)	4.07 (0.38)	16.14 (1.50)	18.79 (1.75)			
56	23 5/16 (592)	35 5/16 (897)	4.47 (0.42)	17.93 (1.67)	20.87 (1.94)			

Daylight Measurements: Reverse Cottage Sash

Essential Double Hung Reverse Cottage Daylight Measurements			Width								
			CN	16		20		26		28	
			DLO	12 9/16	(319)	18 9/16	(471)	24 9/16	(624)	26 9/16	(675)
CN	DLO Height Top Sash	DLO Height Bottom Sash	Square Feet (Square Meters)								
			26	13 51/64 (350)	8 53/64 (224)	1.54	0.14	2.28	0.21	3.01	0.28
30	17 25/64 (442)	11 15/64 (285)	1.96	0.18	2.89	0.27	3.83	0.36	4.14	(0.38)	
36	20 63/64 (533)	13 5/8 (346)	2.38	0.22	3.51	0.33	4.65	0.43	5.03	(0.47)	
40	24 19/32 (625)	16 1/32 (407)	2.80	0.26	4.13	0.38	5.47	0.51	5.91	(0.55)	
46	28 3/16 (716)	18 7/16 (468)	3.22	0.30	4.75	0.44	6.29	0.58	6.80	(0.63)	
50	31 51/64 (807)	20 53/64 (529)	3.63	0.34	5.37	0.50	7.11	0.66	7.68	(0.71)	
56	35 5/16 (897)	23 5/16 (592)	4.07	0.38	6.01	0.56	7.95	0.74	8.60	(0.80)	

Essential Double Hung Reverse Cottage Daylight Measurements			Width					
			30		36		36	
			30 9/16	(776)	36 9/16	(929)	42 9/16	(1081)
CN	DLO Height Top Sash	DLO Height Bottom Sash	Square Feet (Square Meters)					
			26	13 51/64 (350)	8 53/64 (224)	3.75	(0.35)	4.48
30	17 25/64 (442)	11 15/64 (285)	4.77	(0.44)	5.70	0.53	6.64	(0.62)
36	20 63/64 (533)	13 5/8 (346)	5.79	(0.54)	6.92	0.64	8.06	(0.75)
40	24 19/32 (625)	16 1/32 (407)	6.80	(0.63)	8.14	0.76	9.48	(0.88)
46	28 3/16 (716)	18 7/16 (468)	7.82	(0.73)	9.36	0.87	10.89	(1.01)
50	31 51/64 (807)	20 53/64 (529)	8.84	(0.82)	10.58	0.98	12.31	(1.14)
56	35 5/16 (897)	23 5/16 (592)	9.89	(0.92)	11.84	1.10	13.78	(1.28)

Daylight Measurements: Double Hung Picture and Transom

Essential Sliding Window Transom Daylight Measurements			Width								
			CN	16		20		26		28	
			DLO	12 9/16	(319)	18 9/16	(471)	24 9/16	(624)	26 9/16	(675)
CN	DLO Height	Square Feet (Square Meters)									
20	8 5/16 (211)	0.72	(0.07)	1.07	(0.10)	1.42	(0.13)	1.53	(0.14)		
26	11 5/16 (287)	0.99	(0.09)	1.46	(0.14)	1.93	(0.18)	2.09	(0.19)		
30	14 5/16 (363)	1.25	(0.12)	1.84	(0.17)	2.44	(0.23)	2.64	(0.25)		
36	17 5/16 (440)	1.51	(0.14)	2.23	(0.21)	2.95	(0.27)	3.19	(0.30)		
40	20 5/16 (516)	1.77	(0.16)	2.62	(0.24)	3.46	(0.32)	3.75	(0.35)		
46	23 5/16 (592)	2.03	(0.19)	3.00	(0.28)	3.98	(0.37)	4.30	(0.40)		
50	26 5/16 (668)	2.29	(0.21)	3.39	(0.32)	4.49	(0.42)	4.85	(0.45)		
56	29 5/16 (744)	2.56	(0.24)	3.78	(0.35)	5.00	(0.46)	5.41	(0.50)		
60	32 5/16 (821)	2.82	(0.26)	4.16	(0.39)	5.51	(0.51)	5.96	(0.55)		

Essential Sliding Window Transom Daylight Measurements			Width								
			CN	30		36		40		50	
			DLO	30 9/16	(776)	36 9/16	(929)	42 9/16	(1081)	56 9/16	(1437)
CN	DLO Height	Square Feet (Square Meters)									
20	8 5/16 (211)	1.76	(0.16)	2.11	(0.20)	2.46	(0.23)	3.26	(0.30)		
26	11 5/16 (287)	2.87	(0.27)	2.87	(0.27)	3.34	(0.31)	4.44	(0.41)		
30	14 5/16 (363)	3.63	(0.34)	3.63	(0.34)	4.23	(0.39)	5.62	(0.52)		
36	17 5/16 (440)	4.39	(0.41)	4.39	(0.41)	5.12	(0.48)	6.80	(0.63)		
40	20 5/16 (516)	5.16	(0.48)	5.16	(0.48)	6.00	(0.56)	7.98	(0.74)		
46	23 5/16 (592)	5.92	(0.55)	5.92	(0.55)	6.89	(0.64)	9.16	(0.85)		
50	26 5/16 (668)	6.68	(0.62)	6.68	(0.62)	7.78	(0.72)	10.33	(0.96)		
56	29 5/16 (744)	7.44	(0.69)	7.44	(0.69)	8.66	(0.80)	11.51	(1.07)		
60	32 5/16 (821)	8.20	(0.76)	8.20	(0.76)	9.55	(0.89)	12.69	(1.18)		

Essential Sliding Window Transom Daylight Measurements			Width								
			CN	16		20		26		28	
			DLO	12 9/16	(07)	18 9/16	(471)	24 9/16	(624)	26 9/16	(675)
CN	DLO Height	Square Feet (Square Meters)									
10	6 9/16 (167)	0.57	(0.05)	0.85	(0.08)	1.12	(0.10)	1.21	(0.11)		
16	12 9/16 (319)	1.10	(0.10)	1.62	(0.15)	2.14	(0.20)	2.32	(0.22)		

Essential Sliding Window Transom Daylight Measurements			Width								
			CN	30		36		40		50	
			DLO	30 9/16	(776)	36 9/16	(929)	42 9/16	(1081)	54 9/16	(1386)
CN	DLO Height	Square Feet (Square Meters)									
10	6 9/16 (167)	1.39	(0.13)	1.67	(0.15)	1.94	(0.18)	2.49	(0.23)		
16	12 9/16 (319)	2.67	(0.25)	3.19	(0.30)	3.71	(0.34)	4.76	(0.44)		

Minimum and Maximum Guidelines / Certified Sizes and Rating

Minimum and Maximum Inputs												
Unit Type	Sash Configuration/ Call Number	Min Width		Min Height		Max Width		Max Height		Glass Size		
		in	mm	in	mm	in	mm	in	mm	Sash Size	Sq. Ft.	Sq. Meters
ESDH	Equal	17 1/2	(445)	23 1/2	(597)	47 1/2	(1207)	77 1/2	(1969)	regular	11.0	1.0
	Call Number	1620				4066						
	Un-Equal	17 1/2	(445)	29 1/2	(749)	47 1/2	(1207)	65 1/2	(1664)	Small	3.7	0.3
	Call Number	1626				4056				Large	5.5	0.5
ESDHP	-	17 1/2	(445)	23 1/2	(597)	59 1/2	(1511)	71 1/2	(1816)	regular	26.2	2.4
	Call Number	1620				5060						
ESDH TR	-	17 1/2	(445)	11 1/2	(292)	59 1/2	(1511)	23 1/2	(597)	regular	7.6	0.7
	Call Number	1610				5020						

Certified Sizes and Rating

Product	Air Tested to PSF	Water Tested to psf	Design Pressure (DP)	Certification Rating	Max Overall Width		Max Overall Height	
					in	mm	in	mm
Essential Double Hung	1.57	7.5	50	LC-PG50-H	29 1/2	(749)	59 1/2	(1511)
Essential Double Hung	1.57	6.0	40	LC-PG40-H	29 1/2	(749)	77 1/2	(1969)
Essential Double Hung	1.57	7.5	50	LC-PG50-H	35 1/2	(902)	59 1/2	(1511)
Essential Double Hung	1.57	6.0	40	LC-PG40-H	35 1/2	(902)	77 1/2	(1969)
Essential Double Hung	1.57	6.0	40	LC-PG40-H	41 1/2	(1054)	65 1/2	(1664)
Essential Double Hung	1.57	7.5	50	LC-PG50-H	47 1/2	(1207)	47 1/2	(1207)
Essential Double Hung	1.57	6.0	40	LC-PG40-H	47 1/2	(1207)	59 1/2	(1511)
Essential Double Hung	1.57	4.5	30	LC-PG30-H	47 1/2	(1207)	77 1/2	(1969)
Essential Double Hung - Cottage	1.57	4.5	30	LC-PG30-H	29 1/2	(749)	65 1/2	(1664)
Essential Double Hung - Cottage	1.57	4.5	30	LC-PG30-H	47 1/2	(1207)	65 1/2	(1664)
Essential Double Hung Picture/Transom	1.57	7.5	50	LC-PG50-FW	59 1/2	(1511)	71 1/2	(1816)

Measurement Conversions - Operator

Essential Single/Double Hung Inputs					
Unit Measurements		Width		Height	
From	To				
Rough Opening		in	mm	in	mm
Masonry Opening	Rough Opening	0	(0)	+1/4	(6)
OM of Frame	Rough Opening	+1/2	(13)	+1/2	(13)
J-Channel OM	Rough Opening	-3/4	(19)	-3/4	(19)
Daylight Opening	Rough Opening	+5 7/16	(138)	+7 3/8	(187)
Masonry Opening	Inside Opening	-1/8	(3)	0	(0)
OM of Frame	Inside Opening	+3/8	(10)	+1/4	(6)
J-Channel OM	Inside Opening	-7/8	(22)	-1	(25)
Daylight Opening	Inside Opening	+5 5/16	(135)	+7 1/8	(181)
Frame		in	mm	in	mm
Daylight Opening	OM of Frame	+4 15/16	(125)	+6 7/8	(175)
Top Sash (equal sash)		in	mm	in	mm
OM of Frame	OM of Top Sash	-2 1/4	(57)	-3/4	(19)
Daylight Opening	OM of Top Sash	+2 11/16	(68)	+2 11/16	(68)
Bottom Sash (equal sash)		in	mm	in	mm
OM of Frame	OM of Bottom Sash	-2 1/4	(57)	-3/4	(19)
Daylight Opening	OM of Bottom Sash	+2 11/16	(68)	+2 11/16	(68)
Top Sash (Cottage Height)		in	mm	in	mm
OM of Frame	OM of Top Sash	-2 1/4	(57)	-9/32	(7)
Daylight Opening	OM of Top Sash	+2 11/16	(68)	+2 11/16	(68)
Bottom Sash (Cottage Height)		in	mm	in	mm
OM of Frame	OM of Bottom Sash	-2 1/4	(57)	-1 7/32	(31)
Daylight Opening	OM of Bottom Sash	+2 11/16	(68)	+2 11/16	(68)
Top Sash (Oriel Height)		in	mm	in	mm
OM of Frame	OM of Top Sash	-2 1/4	(57)	-1 7/32	(31)
Daylight Opening	OM of Top Sash	+2 11/16	(68)	+2 11/16	(68)
Bottom Sash (Oriel Height)		in	mm	in	mm
OM of Frame	OM of Bottom Sash	-2 1/4	(57)	-9/32	(7)
Daylight Opening	OM of Bottom Sash	+2 11/16	(68)	+2 11/16	(68)
Glass		in	mm	in	mm
Daylight Opening	Glass	+1 7/64	(28)	+1 7/64	(28)
Screen		in	mm	in	mm
OM of Frame	OM of Screen	-1 23/32	(44)	-1 9/16	(40)
Daylight Opening	OM of Screen	+3 7/32	(82)	+5 5/16	(135)
Half Screen		in	mm	in	mm
OM of Frame	OM of Screen	-1 23/32	(44)	-5/8	(16)
Daylight Opening	OM of Screen	+3 7/32	(82)	+2 13/16	(72)
Oriel Screen		in	mm	in	mm
OM of Frame	OM of Screen	-1 23/32	(44)	-5/32	(4)
Daylight Opening	OM of Screen	+3 7/32	(82)	+2 13/16	(72)
Cottage Screen		in	mm	in	mm
OM of Frame	OM of Screen	-1 23/32	(44)	-1 3/32	(28)
Daylight Opening	OM of Screen	+3 7/32	(82)	+2 13/16	(72)

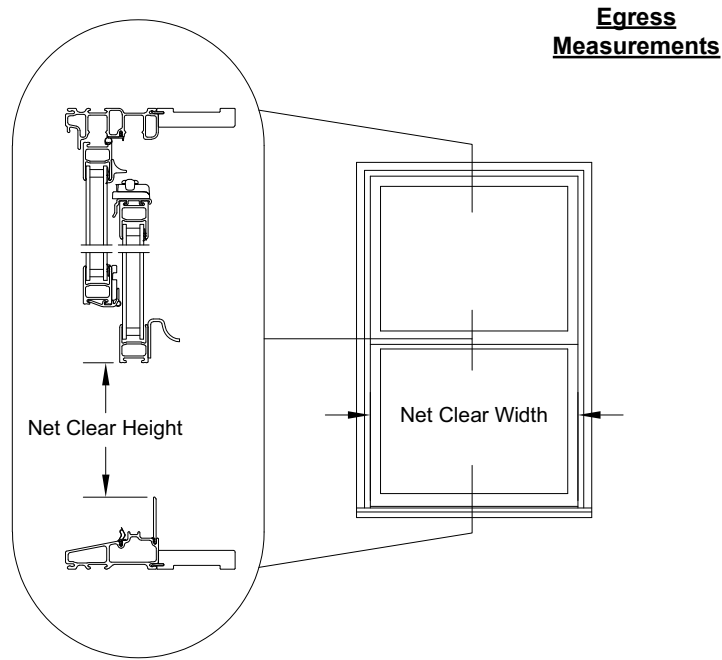
Measurement Conversions - Transom and Picture

Essential Sliding Window Transom					
Unit Measurements		Width		Height	
From	To				
Rough Opening		in	mm	in	mm
Masonry Opening	Rough Opening	0	(00)	+1/4	(6)
OM of Frame	Rough Opening	+1/2	(13)	+1/2	(13)
J-Channel OM	Rough Opening	-3/4	19	-3/4	(19)
Daylight Opening	Rough Opening	+5 7/16	(138)	+5 7/16	(138)
Masonry Opening	Inside Opening	-1/8	(3)	0	(0)
OM of Frame	Inside Opening	+3/8	(10)	+1/4	(6)
J-Channel OM	Inside Opening	-7/8	(22)	-1	(25)
Daylight Opening	Inside Opening	+5 5/16	(135)	+5 3/16	(132)
Frame		in	mm	in	mm
Daylight Opening	OM of Frame	+4 15/16	(125)	+4 15/16	(125)
Sash		in	mm	in	mm
OM of Frame	OM of Sash	-2 1/4	(57)	-2 1/4	(57)
Daylight Opening	OM of Sash	+2 11/16	(68)	+2 11/16	(68)
Glass		in	mm	in	mm
Daylight Opening	Glass	+1 7/64	(28)	+1 7/64	(28)

Essential Sliding Window Picture					
Unit Measurements		Width		Height	
From	To				
Rough Opening		in	mm	in	mm
Masonry Opening	Rough Opening	0	(0)	+1/4	(6)
OM of Frame	Rough Opening	+1/2	(13)	+1/2	(13)
J-Channel OM	Rough Opening	-3/4	(19)	-3/4	(19)
Daylight Opening	Rough Opening	+5 7/16	(138)	+5 7/16	(138)
Masonry Opening	Inside Opening	-1/8	(3)	0	(0)
OM of Frame	Inside Opening	+3/8	(10)	+1/4	(6)
J-Channel OM	Inside Opening	-7/8	(22)	-1	(25)
Daylight Opening	Inside Opening	+5 5/16	(135)	+5 3/16	(132)
Frame		in	mm	in	mm
Daylight Opening	OM of Frame	+4 15/16	(125)	+4 15/16	(125)
Sash		in	mm	in	mm
OM of Frame	OM of Sash	-2 1/4	(57)	-2 1/4	(57)
Daylight Opening	OM of Sash	+2 11/16	(68)	+2 11/16	(68)
Glass		in	mm	in	mm
Daylight Opening	Glass	+1 7/64	(28)	+1 7/64	(28)

Egress Measurements

Scale: NOT TO SCALE



Code restrictions may vary depending on your local building codes.

For additional information contact your local code department for IBC and IRC requirements.

Single/Double Hung Egress Calculations for Custom Size Units		
Minimum Value for Net Clear Opening	Desired Dimension	Formula
20 Inch Width	Egress Opening Width (inches)	= Frame OM Width - 2.936
24 Inch Height	Egress Opening Height (inches)	= (Frame OM Height - 4.656) x SR)-2.215
5.7 Square Feet	Egress Opening Area (Sq Ft)	= (Egress Width x Egress Height) / 144
SR = the sash ratio of the smallest sash to overall glass height		

Standard Unit Measurement: Equal Sash

Double Hung Unit Measurements														
Width														
CN	Masonry Opening		Rough Opening		Inside Opening		Frame Size		Sash Size		Screen OM		Daylight Opening	
	ft - in	mm	ft - in	mm	ft - in	mm	ft - in	mm	ft - in	mm	ft - in	mm	in	mm
16	1-6	(457)	1-6	(457)	1-6	(457)	1-5 1/2	(445)	1-3 1/4	(387)	1-3 25/32	(401)	12 9/16	(319)
20	2-0	(610)	2-0	(610)	2-0	(610)	1-11 1/2	(597)	1-9 1/4	(540)	1-9 25/32	(553)	18 9/16	(471)
26	2-6	(762)	2-6	(762)	2-6	(762)	2-5 1/2	(749)	2-3 1/4	(692)	2-3 25/32	(706)	24 9/16	(624)
28	2-8	(813)	2-8	(813)	2-8	(813)	2-7 1/2	(800)	2-5 1/4	(743)	2-5 25/32	(756)	26 9/16	(675)
30	3-0	(914)	3-0	(914)	3-0	(914)	2-11 1/2	(902)	2-9 1/4	(845)	2-9 25/32	(858)	30 9/16	(776)
36	3-6	(1067)	3-6	(1067)	3-6	(1067)	3-5 1/2	(1054)	3-3 1/4	(997)	3-3 25/32	(1010)	36 9/16	(929)
40	4-0	(1219)	4-0	(1219)	4-0	(1219)	3-11 1/2	(1207)	3-9 1/4	(1149)	3-9 25/32	(1163)	42 9/16	(1081)

Double Hung Unit Measurements														
Height														
CN	Masonry Opening		Rough Opening		Inside Opening		Frame Size		Sash Size		Screen OM		Daylight Opening	
	ft - in	mm	ft - in	mm	ft - in	mm	ft - in	mm	ft - in	mm	ft - in	mm	in	mm
20	1-11 3/4	(603)	2-0	(610)	2-0	(610)	1-11 1/2	(597)	0-11	(279)	1-9 15/16	(557)	8 5/16	(211)
26	2-5 3/4	(756)	2-6	(762)	2-6	(762)	2-5 1/2	(749)	1-2	(356)	2-3 15/16	(710)	11 5/16	(287)
30	2-11 3/4	(908)	3-0	(914)	3-0	(914)	2-11 1/2	(902)	1-5	(432)	2-9 15/16	(862)	14 5/16	(363)
36	3-5 3/4	(1060)	3-6	(1067)	3-6	(1067)	3-5 1/2	(1054)	1-8	(508)	3-3 15/16	(1014)	17 5/16	(440)
40	3-11 3/4	(1213)	4-0	(1219)	4-0	(1219)	3-11 1/2	(1207)	1-11	(584)	3-9 15/16	(1167)	20 5/16	(516)
46	4-5 3/4	(1365)	4-6	(1372)	4-6	(1372)	4-5 1/2	(1359)	2-2	(660)	4-3 15/16	(1319)	23 5/16	(592)
50	4-11 3/4	(1518)	5-0	(1524)	5-0	(1524)	4-11 1/2	(1511)	2-5	(737)	4-9 15/16	(1472)	26 5/16	(668)
56	5-5 3/4	(1670)	5-6	(1676)	5-6	(1676)	5-5 1/2	(1664)	2-8	(813)	5-3 15/16	(1624)	29 5/16	(744)
60	5-11 3/4	(1822)	6-0	(1829)	6-0	(1829)	5-11 1/2	(1816)	2-11	(889)	5-9 15/16	(1776)	32 5/16	(821)
66	6-5 3/4	(1975)	6-6	(1981)	6-6	(1981)	6-5 1/2	(1969)	3-2	(965)	6-3 15/16	(1929)	35 5/16	(897)

NOTE: [Essential Double Hung Elevations](#) can be found on marvin.com, double hung, sizes and specs.

Standard Unit Measurement: Cottage Sash

Double Hung with Cottage Sash Style Unit Measurements														
Width														
CN	Masonry Opening		Rough Opening		Inside Opening		Frame Size		Sash Size		Screen OM		Daylight Opening	
	ft - in	mm	ft - in	mm	ft - in	mm	ft - in	mm	ft - in	mm	ft - in	mm	in	mm
16	1-6	(457)	1-6	(457)	1-6	(457)	1-5 1/2	(445)	1-3 1/4	(387)	1-3 25/32	(401)	12 9/16	(319)
20	2-0	(610)	2-0	(610)	2-0	(610)	1-11 1/2	(597)	1-9 1/4	(540)	1-9 25/32	(553)	18 9/16	(471)
26	2-6	(762)	2-6	(762)	2-6	(762)	2-5 1/2	(749)	2-3 1/4	(692)	2-3 25/32	(706)	24 9/16	(624)
28	2-8	(813)	2-8	(813)	2-8	(813)	2-7 1/2	(800)	2-5 1/4	(743)	2-5 25/32	(756)	26 9/16	(675)
30	3-0	(914)	3-0	(914)	3-0	(914)	2-11 1/2	(902)	2-9 1/4	(845)	2-9 25/32	(858)	30 9/16	(776)
36	3-6	(1067)	3-6	(1067)	3-6	(1067)	3-5 1/2	(1054)	3-3 1/4	(997)	3-3 25/32	(1010)	36 9/16	(929)
40	4-0	(1219)	4-0	(1219)	4-0	(1219)	3-11 1/2	(1207)	3-9 1/4	(1149)	3-9 25/32	(1163)	42 9/16	(1081)

Double Hung with Cottage Sash Style Unit Measurements																		
Height																		
CN	Masonry Opening		Rough Opening		Inside Opening		Frame Size		Top Sash Size		Bottom Sash Size		Screen OM		Daylight Opening Top Sash		Daylight Opening Bottom Sash	
	ft - in	mm	ft - in	mm	ft - in	mm	ft - in	mm	ft - in	mm	ft - in	mm	ft - in	mm	in	mm	in	mm
26	2-5 3/4	(756)	2-6	(762)	2-6	(762)	2-5 1/2	(749)	0-11 33/64	(292)	1-4 31/64	(419)	1-4 39/64	(422)	8 53/64	(224)	13 51/64	(350)
30	2-11 3/4	(908)	3-0	(914)	3-0	(914)	2-11 1/2	(902)	1-1 59/64	(353)	1-8 5/64	(510)	1-8 13/64	(513)	11 15/64	(285)	17 25/64	(442)
36	3-5 3/4	(1060)	3-6	(1067)	3-6	(1067)	3-5 1/2	(1054)	1-4 5/16	(414)	1-11 11/16	(602)	1-11 13/16	(605)	13 5/8	(346)	20 63/64	(533)
40	3-11 3/4	(1213)	4-0	(1219)	4-0	(1219)	3-11 1/2	(1207)	1-6 23/32	(475)	2-3 9/32	(693)	2-3 13/32	(696)	16 1/32	(407)	24 19/32	(625)
46	4-5 3/4	(1365)	4-6	(1372)	4-6	(1372)	4-5 1/2	(1359)	1-9 7/64	(536)	2-6 57/64	(784)	2-7 1/64	(788)	18 7/16	(468)	28 3/16	(716)
50	4-11 3/4	(1518)	5-0	(1524)	5-0	(1524)	4-11 1/2	(1511)	1-11 33/64	(597)	2-10 31/64	(876)	2-10 39/64	(879)	20 53/64	(529)	31 51/64	(807)
56	5-5 3/4	(1670)	5-6	(1676)	5-6	(1676)	5-5 1/2	(1664)	2-1 59/64	(658)	3-2 5/64	(967)	3-2 13/64	(971)	23 5/16	(592)	35 5/16	(897)

NOTE: [Essential Double Hung Elevations](#) can be found on marvin.com, double hung, sizes and specs.

Standard Unit Measurement: Reverse Cottage Sash

Double Hung with Reverse Cottage Sash Style Unit Measurements														
Width														
CN	Masonry Opening		Rough Opening		Inside Opening		Frame Size		Sash Size		Screen OM		Daylight Opening	
	ft - in	mm	ft - in	mm	ft - in	mm	ft - in	mm	ft - in	mm	ft - in	mm	in	mm
16	1-6	(457)	1-6	(457)	1-6	(457)	1-5 1/2	(445)	1-3 1/4	(387)	1-3 25/32	(401)	12 9/16	(319)
20	2-0	(610)	2-0	(610)	2-0	(610)	1-11 1/2	(597)	1-9 1/4	(540)	1-9 25/32	(553)	18 9/16	(471)
26	2-6	(762)	2-6	(762)	2-6	(762)	2-5 1/2	(749)	2-3 1/4	(692)	2-3 25/32	(706)	24 9/16	(624)
28	2-8	(813)	2-8	(813)	2-8	(813)	2-7 1/2	(800)	2-5 1/4	(743)	2-5 25/32	(756)	26 9/16	(675)
30	3-0	(914)	3-0	(914)	3-0	(914)	2-11 1/2	(902)	2-9 1/4	(845)	2-9 25/32	(858)	30 9/16	(776)
36	3-6	(1067)	3-6	(1067)	3-6	(1067)	3-5 1/2	(1054)	3-3 1/4	(997)	3-3 25/32	(1010)	36 9/16	(929)
40	4-0	(1219)	4-0	(1219)	4-0	(1219)	3-11 1/2	(1207)	3-9 1/4	(1149)	3-9 25/32	(1163)	42 9/16	(1081)

Double Hung with Reverse Cottage Sash Style Unit Measurements																		
Height																		
CN	Masonry Opening		Rough Opening		Inside Opening		Frame Size		Top Sash Size		Bottom Sash Size		Screen OM		Daylight Opening Top Sash		Daylight Opening Bottom Sash	
	ft - in	mm	ft - in	mm	ft - in	mm	ft - in	mm	ft - in	mm	ft - in	mm	ft - in	mm	in	mm	in	mm
26	2-5 3/4	(756)	2-6	(762)	2-6	(762)	2-5 1/2	(749)	1-4 31/64	(419)	0-11 33/64	(292)	0-11 41/64	(296)	13 51/64	(350)	8 53/64	(224)
30	2-11 3/4	(908)	3-0	(914)	3-0	(914)	2-11 1/2	(902)	1-8 5/64	(510)	1-1 59/64	(353)	1-2 3/64	(357)	17 25/64	(442)	11 15/64	(285)
36	3-5 3/4	(1060)	3-6	(1067)	3-6	(1067)	3-5 1/2	(1054)	1-11 11/16	(602)	1-4 5/16	(414)	1-4 7/16	(418)	20 63/64	(533)	13 5/8	(346)
40	3-11 3/4	(1213)	4-0	(1219)	4-0	(1219)	3-11 1/2	(1207)	2-3 9/32	(693)	1-6 23/32	(475)	1-6 27/32	(479)	24 19/32	(625)	16 1/32	(407)
46	4-5 3/4	(1365)	4-6	(1372)	4-6	(1372)	4-5 1/2	(1359)	2-6 57/64	(784)	1-9 7/64	(536)	1-9 15/64	(540)	28 3/16	(716)	18 7/16	(468)
50	4-11 3/4	(1518)	5-0	(1524)	5-0	(1524)	4-11 1/2	(1511)	2-10 31/64	(876)	1-11 33/64	(597)	1-11 41/64	(600)	31 51/64	(807)	20 53/64	(529)
56	5-5 3/4	(1670)	5-6	(1676)	5-6	(1676)	5-5 1/2	(1664)	3-2 5/64	(967)	2-1 59/64	(658)	2-2 3/64	(661)	35 5/16	(897)	23 5/16	(592)

NOTE: [Essential Double Hung Elevations](#) can be found on marvin.com, double hung, sizes and specs.

Standard Unit Measurement: Double Hung Picture

Picture Unit Measurements Width												
CN	Masonry Opening		Rough Opening		Inside Opening		Frame Size		Sash Size		Daylight Opening	
	ft - in	mm	ft - in	mm	ft - in	mm	ft - in	mm	ft - in	mm	in	mm
16	1-6	(457)	1-6	(457)	1-5 7/8	(454)	1-5 1/2	(445)	1-3 1/4	(387)	12 9/16	(319)
20	2-0	(610)	2-0	(610)	1-11 7/8	(606)	1-11 1/2	(597)	1-9 1/4	(540)	18 9/16	(471)
26	2-6	(762)	2-6	(762)	2-5 7/8	(759)	2-5 1/2	(749)	2-3 1/4	(692)	24 9/16	(624)
28	2-8	(813)	2-8	(813)	2-7 7/8	(810)	2-7 1/2	(800)	2-5 1/4	(743)	26 9/16	(675)
30	3-0	(914)	3-0	(914)	2-11 7/8	(911)	2-11 1/2	(902)	2-9 1/4	(845)	30 9/16	(776)
36	3-6	(1067)	3-6	(1067)	3-5 7/8	(1064)	3-5 1/2	(1054)	3-3 1/4	(997)	36 9/16	(929)
40	4-0	(1219)	4-0	(1219)	3-11 7/8	(1216)	3-11 1/2	(1207)	3-9 1/4	(1149)	42 9/16	(1081)
50	5-0	(1524)	5-0	(1524)	4-11 7/8	(1521)	4-11 1/2	(1511)	4-9 1/4	(1454)	54 9/16	(1386)

Picture Unit Measurements Height												
CN	Masonry Opening		Rough Opening		Inside Opening		Frame Size		Sash Size		Daylight Opening	
	ft - in	mm	ft - in	mm	ft - in	mm	ft - in	mm	ft - in	mm	in	mm
20	1-11 3/4	(603)	2-0	(610)	1-11 3/4	(610)	1-11 1/2	(597)	1-9 1/4	(540)	18 9/16	(471)
26	2-5 3/4	(756)	2-6	(762)	2-5 3/4	(762)	2-5 1/2	(749)	2-3 1/4	(692)	24 9/16	(624)
30	2-11 3/4	(908)	3-0	(914)	2-11 3/4	(914)	2-11 1/2	(902)	2-9 1/4	(845)	30 9/16	(776)
36	3-5 3/4	(1060)	3-6	(1067)	3-5 3/4	(1067)	3-5 1/2	(1054)	3-3 1/4	(997)	36 9/16	(929)
40	3-11 3/4	(1213)	4-0	(1219)	3-11 3/4	(1219)	3-11 1/2	(1207)	3-9 1/4	(1149)	42 9/16	(1081)
46	4-5 3/4	(1365)	4-6	(1372)	4-5 3/4	(1372)	4-5 1/2	(1359)	4-3 1/4	(1302)	48 9/16	(1233)
50	4-11 3/4	(1518)	5-0	(1524)	4-11 3/4	(1524)	4-11 1/2	(1511)	4-9 1/4	(1454)	54 9/16	(1386)
56	5-5 3/4	(1670)	5-6	(1676)	5-5 3/4	(1676)	5-5 1/2	(1664)	5-3 1/4	(1607)	60 9/16	(1538)
60	5-11 3/4	(1822)	6-0	(1829)	5-11 3/4	(1829)	5-11 1/2	(1816)	5-9 1/4	(1759)	66 9/16	(1691)

NOTE: [Essential Double Hung Elevations](#) can be found on marvin.com, double hung, sizes and specs.

Standard Unit Measurement: Double Hung Transom

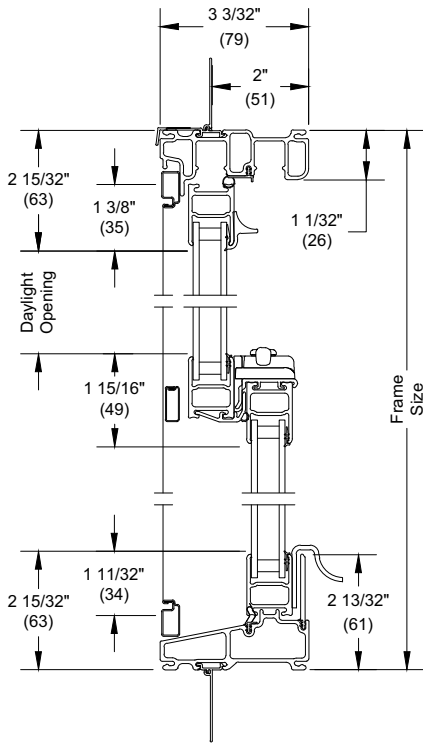
Transom Unit Measurements Width												
CN	Masonry Opening		Rough Opening		Inside Opening		Frame Size		Sash Size		Daylight Opening	
	ft - in	mm	ft - in	mm	ft - in	mm	ft - in	mm	ft - in	mm	in	mm
16	1-6	(457)	1-6	(457)	1-5 7/8	(454)	1-5 1/2	(445)	1-3 1/4	(387)	12 9/16	(319)
20	2-0	(610)	2-0	(610)	1-11 7/8	(606)	1-11 1/2	(597)	1-9 1/4	(540)	18 9/16	(471)
26	2-6	(762)	2-6	(762)	2-5 7/8	(759)	2-5 1/2	(749)	2-3 1/4	(692)	24 9/16	(624)
28	2-8	(813)	2-8	(813)	2-7 7/8	(810)	2-7 1/2	(800)	2-5 1/4	(743)	26 9/16	(675)
30	3-0	(914)	3-0	(914)	2-11 7/8	(911)	2-11 1/2	(902)	2-9 1/4	(845)	30 9/16	(776)
36	3-6	(1067)	3-6	(1067)	3-5 7/8	(1064)	3-5 1/2	(1054)	3-3 1/4	(997)	36 9/16	(929)
40	4-0	(1219)	4-0	(1219)	3-11 7/8	(1216)	3-11 1/2	(1207)	3-9 1/4	(1149)	42 9/16	(1081)
50	5-0	(1524)	5-0	(1524)	4-11 7/8	(1521)	4-11 1/2	(1511)	4-9 1/4	(1454)	54 9/16	(1386)

Transom Unit Measurements Height												
CN	Masonry Opening		Rough Opening		Inside Opening		Frame Size		Sash Size		Daylight Opening	
	ft - in	mm	ft - in	mm	ft - in	mm	ft - in	mm	ft - in	mm	in	mm
10	1-0 1/4	(311)	1-0	(305)	0-11 3/4	(298)	0-11 1/2	(292)	0-9 1/4	(235)	6 9/16	(167)
16	1-6 1/4	(464)	1-6	(457)	1-5 3/4	(451)	1-5 1/2	(445)	1-3 1/4	(387)	12 9/16	(319)
20	2-0 1/4	(616)	2-0	(610)	1-11 3/4	(603)	1-11 1/2	(597)	1-9 1/4	(540)	18 9/16	(471)

NOTE: [Essential Double Hung Elevations](#) can be found on marvin.com, double hung, sizes and specs.

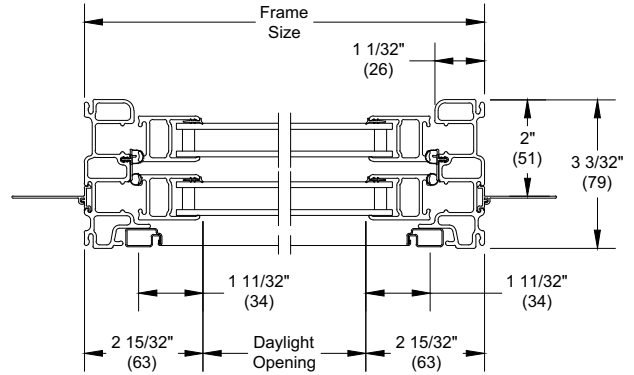
Section Details: Operator

Scale: 3" = 1' 0"

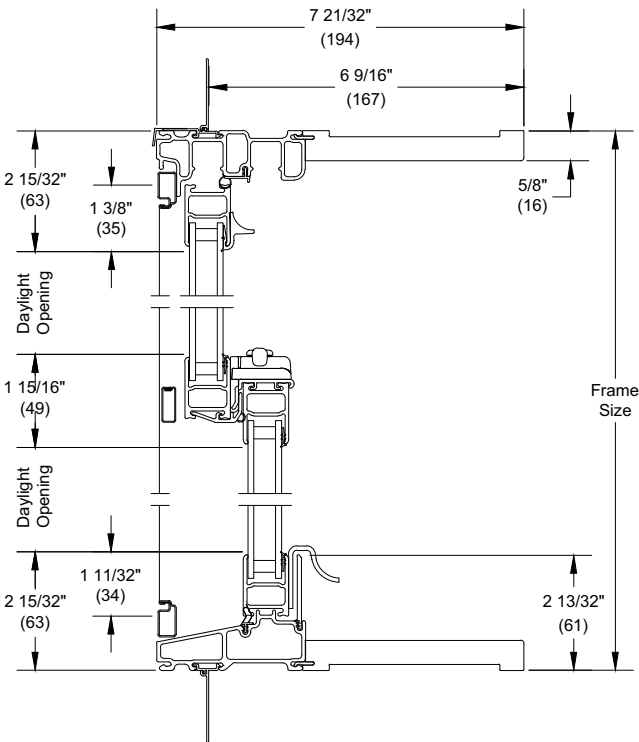


Head Jamb and Sill

Operating - 2" (51)

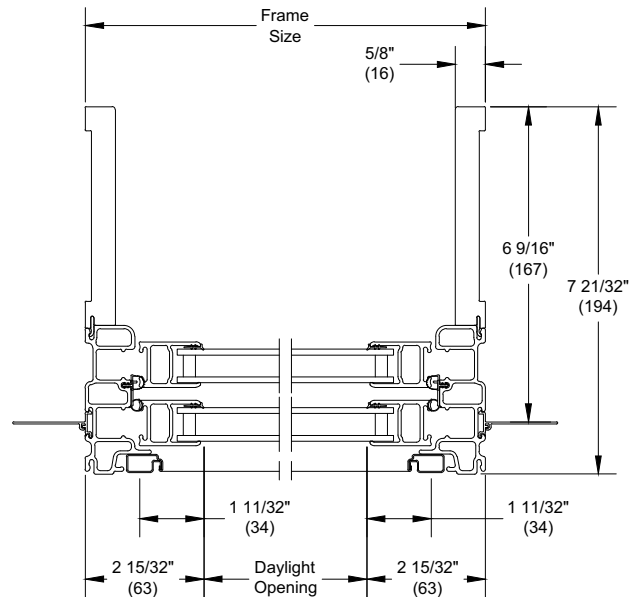


Jamb



Head Jamb and Sill

Operating - 6 9/16" (167)



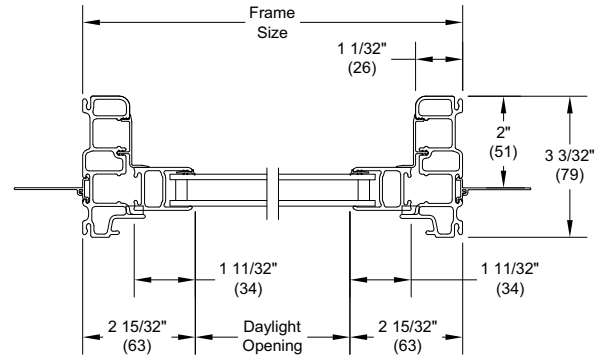
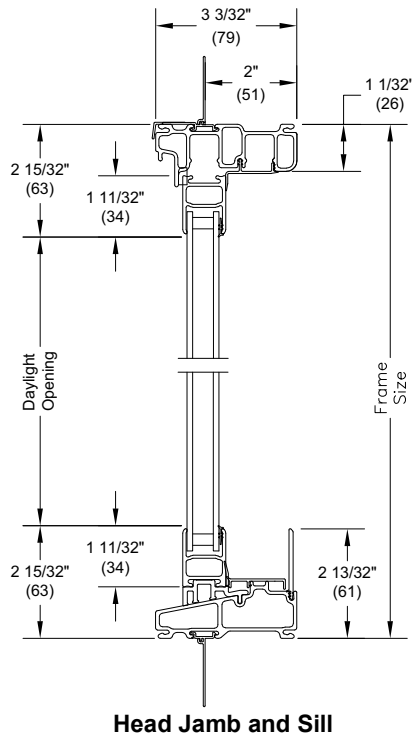
Jamb

NOTE: Units also available with 4 9/16" jamb. Same jamb extension profile as 6 9/16" jamb extension shown.

Section Details: Transom/Picture

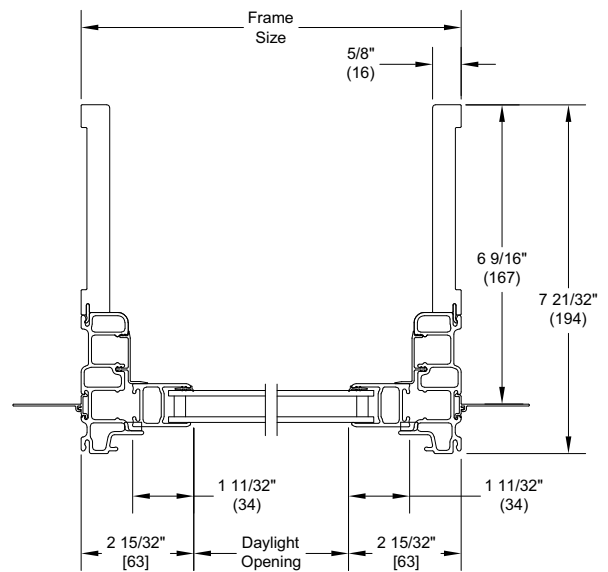
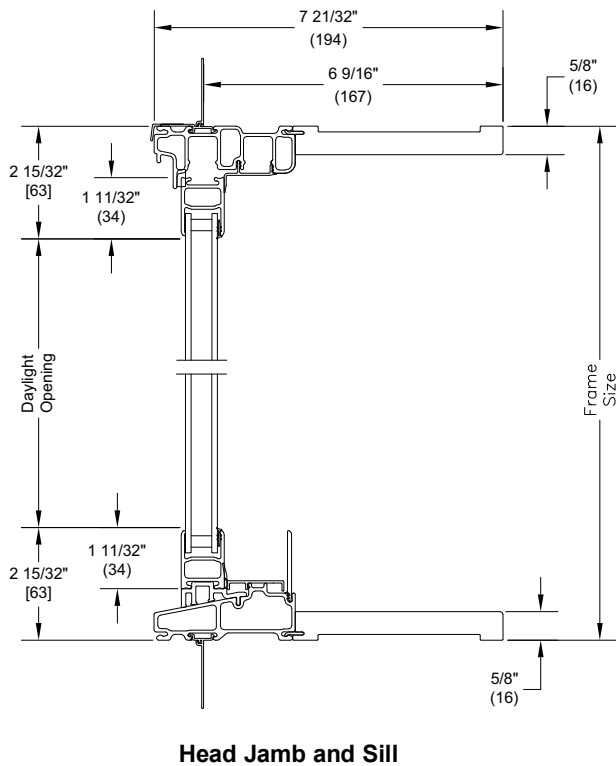
Scale: 3" = 1' 0"

Stationary/Picture - 2" (51)



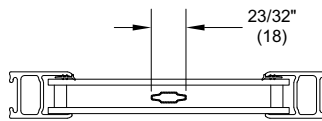
Jambs

Stationary/Picture - 6 9/16" (167)



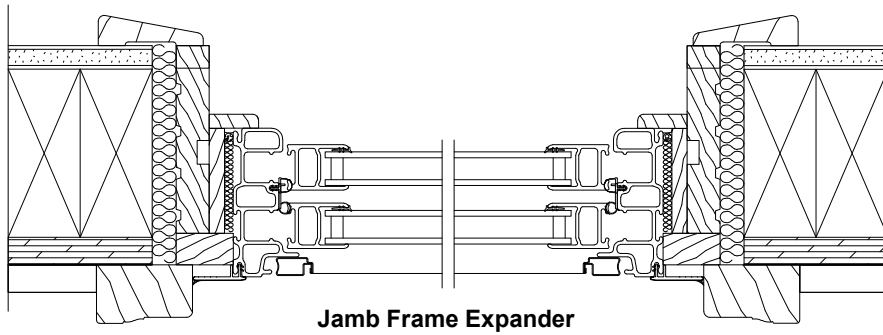
Jambs

NOTE: Units also available with 4 9/16" jamb. Same jamb extension profile as 6 9/16" jamb extension shown.

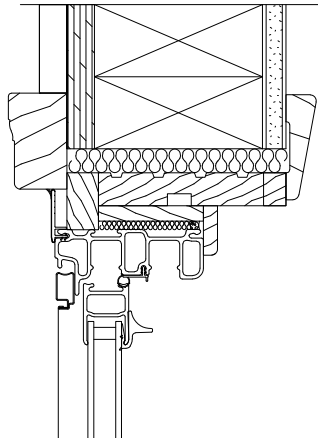
Section Details: Divided Lite Options**Divided Lite Options****Notes:**

- Rectangle GBGs for special size units will default to the next smaller standard size lite pattern. Also available will be Prairie patterns, Cottage patterns, and customer specified equal rectangular lite patterns.
- Prairie available in 9 lite and 6 lite top, bottom, left, and right patterns.
- Cottage GBGs for special sizes units will default to the next smaller standard size lite pattern. Cottage GBGs are also available in customer selected lite patterns.
- Minimum DLO measurement for equal lite GBG option is 3" (76) and will be validated by OMS.
- Standard DLO measurement for Prairie GBG options is 4" (102). Special DLO corners are n/a.
- Standard DLO height measurement for Cottage GBG option is 10" (254). Minimum DLO height is 3" (76) for both one and two high patterns.

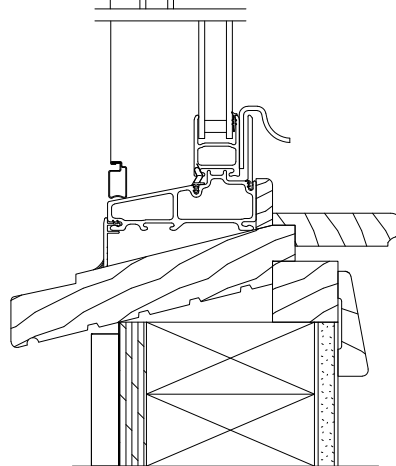
Installation Suggestions - Frame Expander



Head Jamb Frame Expander



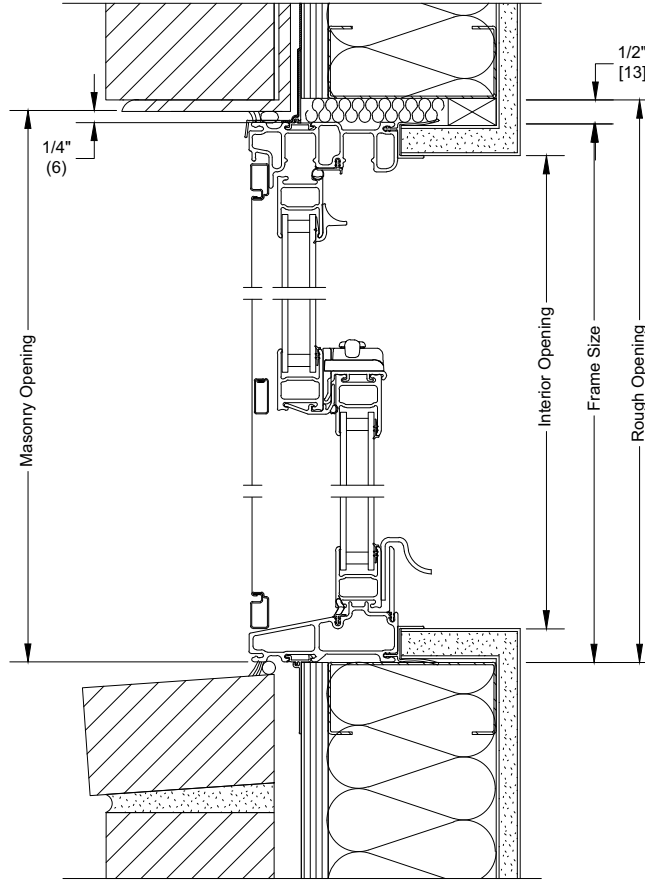
Sill Frame Expander



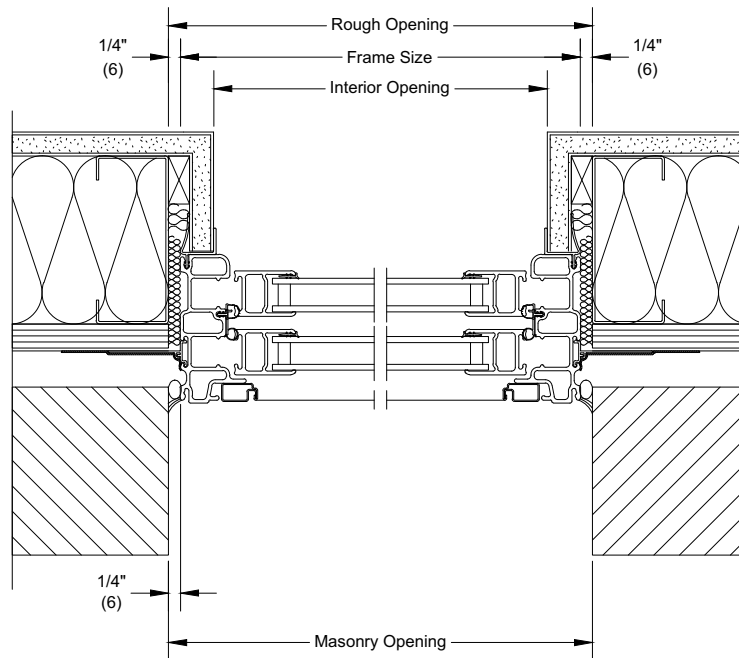
NOTE: Insert Application Type shown.

Installation Suggestions: Brick Veneer with Steel Frame Construction

Scale: 3" = 1' 0"



Head Jamb and Sill



Jamb

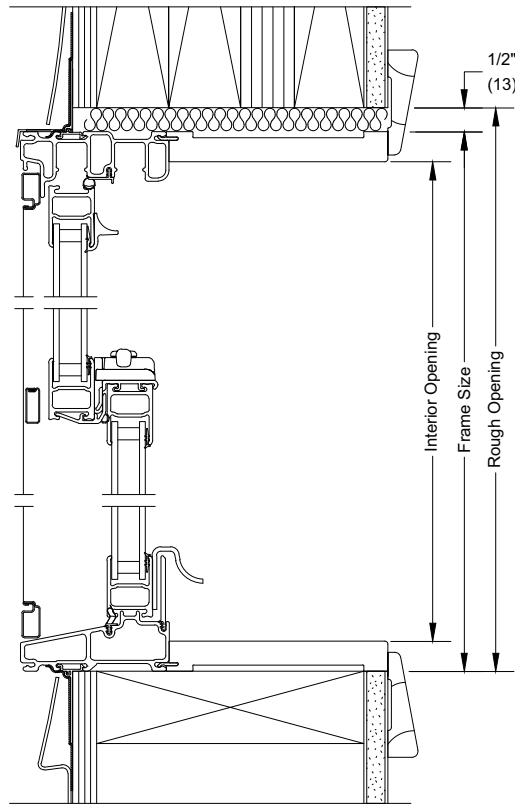
NOTE: Shown with optional sheet rock return. Picture unit installation similar.

The above wall sections represent typical wall conditions, these detail are not intended as installation instructions.

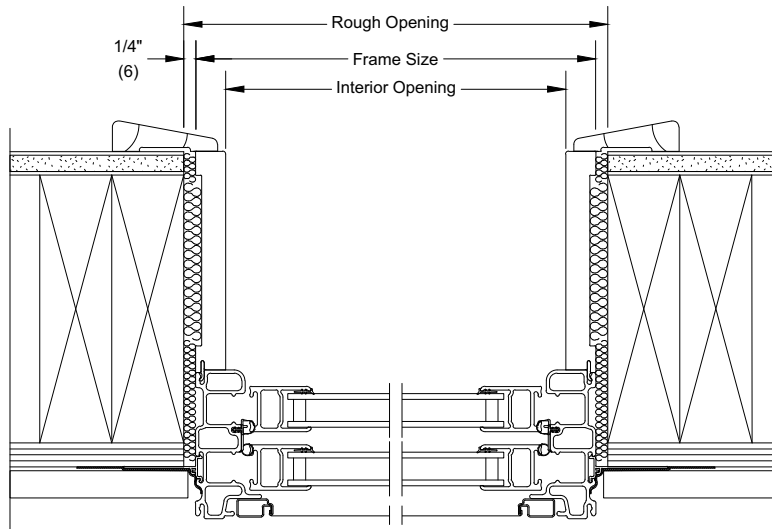
Please refer to the installation instructions provided with the purchased units.

Installation Suggestions: Vinyl Siding with 2x6 Frame Construction

Scale: 3" = 1' 0"



Head Jamb and Sill

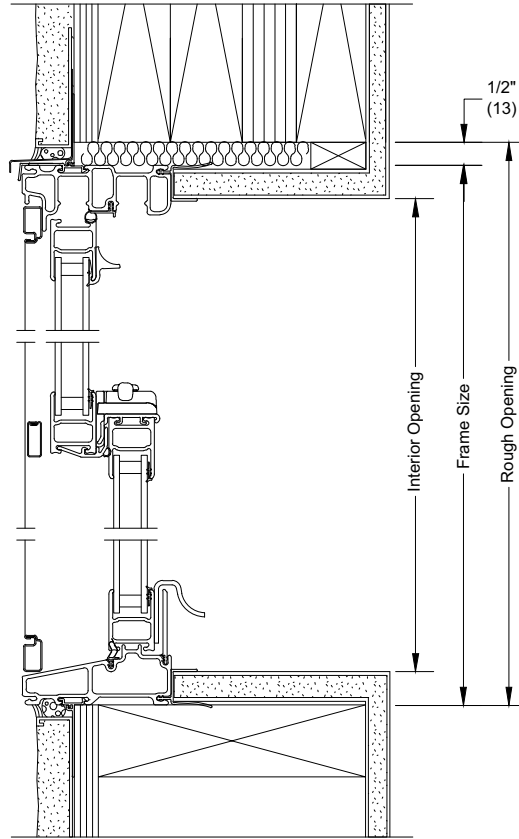


Jambs

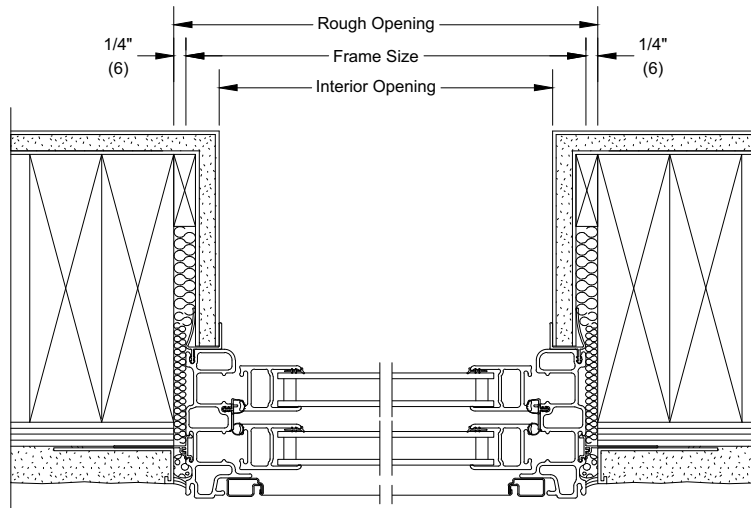
NOTE: Shown with optional jamb extension and J-channels. Picture unit installation similar.
 The above wall sections represent typical wall conditions, these detail are not intended as installation instructions.
 Please refer to the installation instructions provided with the purchased units.

Installation Suggestions: Stucco with 2X6 Frame Construction

Scale: 3" = 1' 0"



Head Jamb and Sill



Jambs

NOTE: Shown with optional sheet rock return. Picture unit installation similar.
 The above wall sections represent typical wall conditions, these detail are not intended as installation instructions.
 Please refer to the installation instructions provided with the purchased units.