

# Elevate Sliding French Door

|                                                                            |    |
|----------------------------------------------------------------------------|----|
| Unit Features .....                                                        | 1  |
| Egress, Lite, and Vent Measurements .....                                  | 5  |
| Egress Conversions .....                                                   | 6  |
| Clear Opening Measurements .....                                           | 7  |
| Measurement Conversions .....                                              | 8  |
| Mulling Guidelines .....                                                   | 9  |
| Certified Mulling Guidelines .....                                         | 11 |
| Certified 1/2" MRF Mulling Guidelines .....                                | 12 |
| Standard Sizes .....                                                       | 13 |
| Section Details: Standard - 4 9/16" Jambs (2 panels) .....                 | 15 |
| Section Details: Standard - 4 9/16" Jambs (3 panels) .....                 | 16 |
| Section Details: Standard - 4 9/16" Jambs (4 panels) .....                 | 17 |
| Section Details: Standard - 6 9/16" Jambs (2 panels) .....                 | 18 |
| Section Details: Standard - 6 9/16" Jambs (3 panels) .....                 | 19 |
| Section Details: Standard - 6 9/16" Jambs (4 panels) .....                 | 20 |
| Section Details: High Performance - 4 9/16" Jambs (2 panels) .....         | 21 |
| Section Details: High Performance - 4 9/16" Jambs (3 panels) .....         | 22 |
| Section Details: High Performance - 6 9/16" Jambs (2 panels) .....         | 23 |
| Section Details: High Performance - 6 9/16" Jambs (3 panels) .....         | 24 |
| Section Details: IZ3 - 4 9/16" Jambs (2 panels) .....                      | 25 |
| Section Details: IZ3 - 6 9/16" Jambs (2 panels) .....                      | 26 |
| Section Details: Direct Glaze Transom - 4 9/16" Jambs .....                | 27 |
| Section Details: Direct Glaze Transom - 6 9/16" Jambs .....                | 28 |
| Section Details: Mullions .....                                            | 29 |
| Section Details: Mullions (IZ3) .....                                      | 30 |
| Section Details: Divided Lite Options .....                                | 31 |
| Section Details: Divided Lite Patterns .....                               | 32 |
| Installation Suggestions: Brick Veneer with Steel Frame Construction ..... | 33 |
| Installation Suggestions: Wood Siding with 2x6 Frame Construction .....    | 34 |
| Installation Suggestions: Stucco with 2x4 Frame Construction .....         | 35 |



## Unit Features

Elevate Sliding French Door: **ELSFD**

Elevate Sliding French Door IZ3: **ELSFD IZ3**

For applicable certification and code information, refer to the Introduction and Product Performance chapter.

### Frame and Panel:

- The frame and panel exteriors are made of Ultrex®, an advanced fiberglass reinforced pultrusion material that is resistant to thermal conductance.
- Exterior colors: Stone White, Pebble Gray, Bronze, Cashmere, Gunmetal, or Ebony. Frame and sash color may be selected independently.
- The interior is non finger-jointed pine, kiln-dried to a moisture content 6-12% at time of fabrication. Water repellent, preservative treated. Interior wood is available as pine bare wood or factory applied white, clear, or designer black interior finishes. Frame and sash color may be selected independently.

#### Frame:

- Frame thickness is 1 31/64" (44). Frame width of 4 9/16" (116). 4/4 non finger-jointed pine interior stop is applied to all units. Sill height is 2 1/8" (54) high by 6 1/16" (154) deep. On IZ3 and HP units the sill height is 2 13/16" (71) high. Interior sill liner is cellular PVC.

#### Panel:

- Composite sash thickness is 1 3/4" (44), stiles and top rails 3 5/8" (92), bottom rail width 6" (152) Ultrex is .110" (3) thick. Two astragals are utilized on the IZ3 and HP units and four astragals are utilized on 4-panel units with a frame height greater than 86" (2184). One on each interior operating panel and one on each exterior stationary panel meeting stile. Astragals are structural members of the panel providing stiffness for the meeting stiles.

### Jamb Extension:

- Extension Thickness: 9/16" (14)
- Multiple depths available from 1/8" (3), 1/4"(6), and depths varying between 1/2"(13) and 4"(102) at 1/16" (2) increments
- Maximum jamb depth is 8 9/16". (217)
- 6 13/16" (173) or 6 13/16" (173) jamb extension - factory-applied
- All other jamb depth options are available shipped loose.
- Material: Bare Pine
- Option: factory applied white, designer black and clear lacquer interior finish

### Hardware:

- Multi-point lock with keyed cylinder.
  - The lock assembly and keeper feature a two point opposing engagement providing tamper prevention.
  - An anti-slam pin is standard to prevent locking when the door is open.
- Handle Sets
  - Handle Set: Interior and exterior selected separately.
  - Standard finish is Almond Frost. Optional finishes: White, Brass, Satin Nickel, Oil Rubbed Bronze, and Matte Black.
- Optional Coastal Hardware: Available on both Non-IZ3 and IZ3 products. Does not include handle sets. Coastal Grade finish is featured on handle sets with a Brass PVD finish and is available in oil rubbed bronze, satin nickel, and brass.
- Top and bottom flush bolt assemblies secure the secondary operator panel in the closed position on OXXO doors. Ensures secondary panel is fully closed allowing primary panel to lock to the secondary panel and to be engaged prior to locking the primary panel.
- The flush bolts are zinc die-cast and will be painted Pearl White or Black.

### Installation:

- Factory applied folding nailing fin and drip cap system.
- Optional installation brackets for masonry available.
- Factory-supplied field mulling kits are available for standard assemblies.
- IZ3 units require installation clips.

**Unit Features Continued****Weather Strip:**

- All weather strip is either black, white, or beige depending on the selected weather strip color.
  - Operator jamb, header, interlock and astragal weather strip color to complement exterior finish.
  - Stationary jamb weather strip color is selectable but defaults to complement interior finish.
    - Options: Beige, black and white
- All units are constructed with weather strip at all panel perimeter joints. Jambs, head jamb, and sills utilize a leaf-type weather strip.
- The operator interlock uses full length leaf style weather strip, and the stationary interlock utilizes a bulb weather strip.
- For the four-panel doors, an extruded bulb weather strip is secured to the secondary operator panel astragal and seals against the primary panel.
- The sill weather strip will match the sill color. When a Bronze Sill is ordered, the sill weather strip will be black and when a Beige Sill is ordered, the sill weather strip will be beige.

**Glazing:**

- Dual-pane units are manufactured with 3/4" (19) Tempered IG with Low E1, E2, E3, or E3/ERS coatings including argon gas or air fill. Clear (uncoated) glass available with air fill only. Obscure glass is available as an option.
- The glazing seal is a silicone bedding on both interior and exterior surfaces utilized in a sandwich style sash.
- STC/OITC values are available for 3.1 mm glass thickness.
  - Optional 3.1/4.7 STC/OITC Upgrade glass is available. See the Product Performance chapter for STC and OITC ratings.
- Decorative glass options include glue chip, frost, and tinted (bronze, gray or green). Decorative glass is not available with Low E1 Low E3/ERS or STC/OITC Upgrade options.

**IZ3 Glazing:**

- Optional IZ3 available on selected sizes. IZ3 for winds up to 140 miles per hour.
- Glass is laminated, insulated Low E2 or E3 Argon, consisting of annealed or tempered glass exterior and laminated glass interior.
- The laminated glass is comprised of two pieces of glass with either an SGP or PVB laminate layer between.
- Interior and exterior glazing compound is silicone, in a sandwich style glazing system.

**Screen:**

- Top hung extruded aluminum screens available as an option. Aluminum metal to match exterior Ultrex color.
- Screen Mesh: Marvin BrightView™, Options: None.
- Includes all mounting and latching hardware.

**Interior/Exterior Simulated Divided Lites (SDL):**

- Interior bar: 7/8" (22) wide bars. Pine bare wood with optional white, clear, or designer black interior finishes.
- Exterior bar: Ultrex, 7/8" (22) wide bars, finish to match exterior.
  - Pattern: Standard rectangular pattern, 6 or 9 lite Prairie cut, 6-lite Prairie cut on rectangle or Cottage style cut.
- Simulated check rail option: 2 11/32" (60).
  - Patterns available: simulated rail in standard center or customer specified location with 7/8" pattern above, below, or both in pattern of rectangular equal lite or Prairie lite cut.
  - SDL available for IZ3 glazing and tinted glass without spacer bars only.

**Grilles-Between-The-Glass (GBG):**

- 23/32" (18) contoured aluminum bar placed between two panes of glass.
- Pattern: Standard rectangular pattern, 6 or 9 lite Prairie cut, or Cottage style cut, or 6-lite Prairie cut on rectangle.
- Exterior color options: Stone White, Pebble Gray, Bronze, Cashmere, Gunmetal, or Ebony.
- Interior color options: White, Bronze, or Black.
- GBGs are not available with IZ3 glazing or tinted glass.

**Exterior Casing:**

- Non-integral to the unit.
- Fastened to the exterior wall with barb and kerf 2" (51) brick mould available as a header and jamb surround.
- 3 1/2" (89) flat casing available as a header and jamb surround.
- Also available with 1" (25) ranch style header overhang.

*NOTE: NFRC Values are now located on [www.marvin.com](http://www.marvin.com)*

**Minimum/Maximum Guidelines and Certified Sizes**

*NOTE: Special sizes are available in 1/64" increments, not to exceed the minimum or maximum listed above.*

| Minimum and Maximum Frame Size Guidelines |           |        |            |        |           |        |            |        |
|-------------------------------------------|-----------|--------|------------|--------|-----------|--------|------------|--------|
| Unit Type                                 | Min Width |        | Min Height |        | Max Width |        | Max Height |        |
|                                           | in        | mm     | in         | mm     | in        | mm     | in         | mm     |
| 2 - Panel                                 | 59        | (1499) | 79 1/2     | (2019) | 95        | (2413) | 95 1/2     | (2426) |
| 3 - Panel                                 | 88 1/2    | (2248) | 79 1/2     | (2019) | 142 1/2   | (3620) | 95 1/2     | (2426) |
| 4 - Panel                                 | 117       | (2972) | 79 1/2     | (2019) | 189       | (4801) | 95 1/2     | (2426) |
| ELDG Rectangle                            | 59        | (1499) | 15 3/4     | (400)  | 71        | (1803) | 15 3/4     | (400)  |

| Product                               | Air Tested to psf | Water Tested to psf | Design Pressure psf | Certification Rating | Max Overall Width |        | Max Overall Height |        |
|---------------------------------------|-------------------|---------------------|---------------------|----------------------|-------------------|--------|--------------------|--------|
|                                       |                   |                     |                     |                      | inches            | mm     | inches             | mm     |
| Elevate Sliding French Door (XO/OX)   | 1.57              | 6.00                | 40                  | LC-PG40-SD           | 95                | (2413) | 86                 | (2184) |
| Elevate Sliding French Door (XO/OX)   | 1.57              | 4.60                | 30                  | LC-PG30-SD           | 95                | (2413) | 95 1/2             | (2426) |
| Elevate Sliding French Door (OOX/XOO) | 1.57              | 6.00                | 40                  | LC-PG40-SD           | 106 1/2           | (2705) | 86                 | (2184) |
| Elevate Sliding French Door (OOX/XOO) | 1.57              | 4.60                | 30                  | LC-PG30-SD           | 142 1/2           | (3620) | 95 1/2             | (2426) |
| Elevate Sliding French Door (OXO)     | 1.57              | 6.00                | 40                  | LC-PG40-SD           | 106 1/2           | (2705) | 86                 | (2184) |
| Elevate Sliding French Door (OXO)     | 1.57              | 4.60                | 30                  | LC-PG30-SD           | 142 1/2           | (3620) | 95 1/2             | (2426) |
| Elevate Sliding French Door (OXXO)    | 1.57              | 4.60                | 30                  | LC-PG30-SD           | 189               | (4801) | 95 1/2             | (2426) |

| Product                                  | Air Tested to psf | Water Tested to psf | Design Pressure psf | Certification Rating | Max Overall Width |        | Max Overall Height |        |
|------------------------------------------|-------------------|---------------------|---------------------|----------------------|-------------------|--------|--------------------|--------|
|                                          |                   |                     |                     |                      | inches            | mm     | inches             | mm     |
| Elevate Sliding French Door (XO/OX) HP   | 1.57              | 7.5                 | 50                  | LC-PG50-SD           | 95                | (2413) | 95 1/2             | (2426) |
| Elevate Sliding French Door (OOX/XOO) HP | 1.57              | 7.5                 | 50                  | LC-PG50-SD           | 106 1/2           | (2705) | 95 1/2             | (2426) |
| Elevate Sliding French Door (OXO) HP     | 1.57              | 7.5                 | 50                  | LC-PG50-SD           | 106 1/2           | (2705) | 95 1/2             | (2426) |

| Product                                    | Air Tested to psf | Water Tested to psf | Design Pressure psf | Certification Rating | Max Overall Width |        | Max Overall Height |        |
|--------------------------------------------|-------------------|---------------------|---------------------|----------------------|-------------------|--------|--------------------|--------|
|                                            |                   |                     |                     |                      | inches            | mm     | inches             | mm     |
| Elevate Sliding French Door (XO/OX) Impact | 1.57              | 8.35                | +55/-55             | LC-PG55-SD           | 95                | (2413) | 95 1/2             | (2426) |

**IZ3 Option and PG50 Option**

| <b>Elevate Sliding French Door - Performance Options</b>                            |      |              |              |              |              |              |             |             |             |             |
|-------------------------------------------------------------------------------------|------|--------------|--------------|--------------|--------------|--------------|-------------|-------------|-------------|-------------|
| RO                                                                                  |      | 60"          | 72"          | 96"          | 89 1/2"      | 107 1/2"     | 118"        | 143 1/2"    | 142"        | 190"        |
|                                                                                     | CN   | 5'0"         | 6'0"         | 8'0"         | 7'6"         | 9'0"         | 10'0"       | 12'0"       | 12'0"       | 16'0"       |
|                                                                                     |      | <b>2P</b>    | <b>2P</b>    | <b>2P</b>    | <b>3P</b>    | <b>3P</b>    | <b>4P</b>   | <b>3P</b>   | <b>4P</b>   | <b>4P</b>   |
| 80"                                                                                 | 6'5" | <b>*PG40</b> | <b>*PG40</b> | <b>*PG40</b> | <b>*PG40</b> | <b>*PG40</b> | <b>PG30</b> | <b>PG30</b> | <b>PG30</b> | <b>PG30</b> |
| 82 1/2"                                                                             | 6'8" | <b>*PG40</b> | <b>*PG40</b> | <b>*PG40</b> | <b>*PG40</b> | <b>*PG40</b> | <b>PG30</b> | <b>PG30</b> | <b>PG30</b> | <b>PG30</b> |
| 86 1/2"                                                                             | 7'0" | <b>*PG40</b> | <b>*PG40</b> | <b>*PG40</b> | <b>*PG40</b> | <b>*PG40</b> | <b>PG30</b> | <b>PG30</b> | <b>PG30</b> | <b>PG30</b> |
| 96"                                                                                 | 8'0" | <b>*PG30</b> | <b>*PG30</b> | <b>*PG30</b> | <b>*PG30</b> | <b>*PG30</b> | <b>PG30</b> | <b>PG30</b> | <b>PG30</b> | <b>PG30</b> |
| (2P) Two Panel, (3P) Three Panel, (4P) Four Panel      IZ3 Option      *PG50 Option |      |              |              |              |              |              |             |             |             |             |

Egress, Lite, and Vent Measurements

| Net Clear Opening<br>Elevate Standard Sliding French Door |             |                    |        |
|-----------------------------------------------------------|-------------|--------------------|--------|
| Width                                                     |             |                    |        |
| Unit Type                                                 | Call Number | Net Clear Openings |        |
|                                                           |             | ft-in              | mm     |
| 2 Panel Operator<br>(OX / XO)                             | 5-0         | 1-10 11/16         | (576)  |
|                                                           | 6-0         | 2-4 11/16          | (729)  |
|                                                           | 8-0         | 3-4 11/16          | (1034) |
| 3 Panel Operator<br>(OOX, XOO)                            | 7-6         | 1-11 17/64         | (591)  |
|                                                           | 9-0         | 2-5 17/64          | (743)  |
|                                                           | 12-0        | 3-5 17/64          | (1048) |
| 3 Panel Operator<br>(OXO)                                 | 7-6         | 1-10 29/32         | (582)  |
|                                                           | 9-0         | 2-4 29/32          | (734)  |
|                                                           | 12-0        | 3-4 29/32          | (1039) |
| 4 Panel Operator<br>(OXXO)                                | 10-0        | 3-9 59/64          | (1166) |
|                                                           | 12-0        | 4-9 59/64          | (1471) |
|                                                           | 16-0        | 6-9 59/64          | (2081) |
| Height                                                    |             |                    |        |
| Unit Type                                                 | Call Number | Net Clear Openings |        |
|                                                           |             | ft - in            | mm     |
| All Panel Configurations                                  | 6-5         | 6-2 47/64          | (1898) |
|                                                           | 6-8         | 6-5 15/64          | (1962) |
|                                                           | 7-0         | 6-9 15/64          | (2063) |
|                                                           | 8-0         | 7-6 47/64          | (2305) |

| Net Clear Opening<br>Elevate HP/IZ3 Sliding French Door |             |                    |        |
|---------------------------------------------------------|-------------|--------------------|--------|
| Width                                                   |             |                    |        |
| Unit Type                                               | Call Number | Net Clear Openings |        |
|                                                         |             | ft-in              | mm     |
| 2 Panel Operator<br>(OX/XO)                             | 5-0         | 1-10 11/16         | (576)  |
|                                                         | 6-0         | 2-4 11/16          | (729)  |
|                                                         | 8-0         | 3-4 11/16          | (1034) |
| 3 Panel Operator<br>(OOX, XOO)                          | 7-6         | 1-11 17/64         | (591)  |
|                                                         | 9-0         | 2-5 17/64          | (743)  |
| 3 Panel Operator<br>(OXO)                               | 7-6         | 1-10 29/32         | (582)  |
|                                                         | 9-0         | 2-4 29/32          | (734)  |
| Height                                                  |             |                    |        |
| Unit Type                                               | Call Number | Net Clear Openings |        |
|                                                         |             | ft-in              | mm     |
| All Panel Configurations                                | 6-5         | 6-2 5/64           | (1882) |
|                                                         | 6-8         | 6-4 37/64          | (1945) |
|                                                         | 7-0         | 6-8 37/64          | (2047) |
|                                                         | 8-0         | 7-6 5/64           | (2288) |

**Egress Conversions**

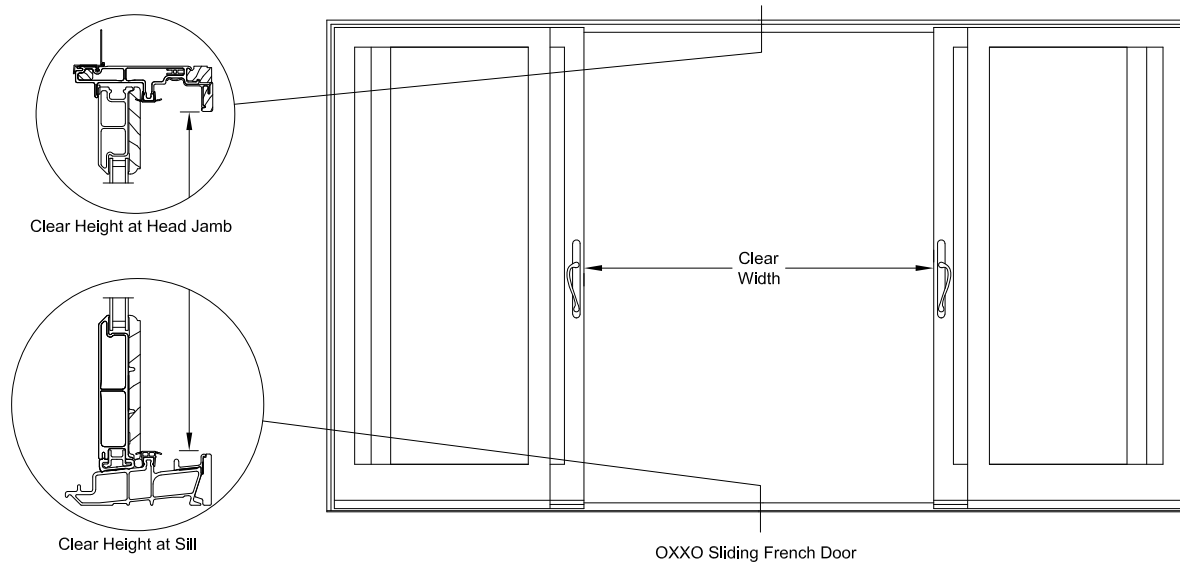
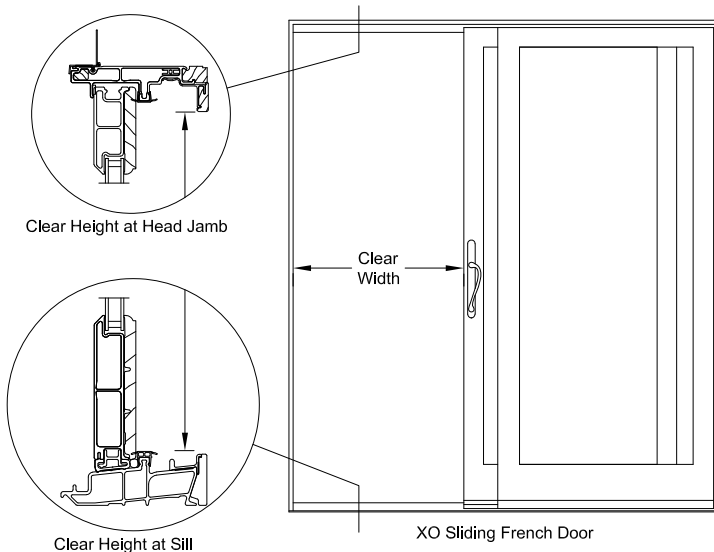
| Egress Conversions                   |                           |                                               |
|--------------------------------------|---------------------------|-----------------------------------------------|
| Standard Sliding French Door         |                           |                                               |
| Minimum Value for Net Clear Opening  | Desired Dimension         | Formula                                       |
| 32 in                                | Egress Opening Width, in* | <b>2 Panel</b>                                |
|                                      |                           | = Frame OM Width - Panel Width - 6.681        |
|                                      |                           | <b>3 Panel OOX/XOO</b>                        |
|                                      |                           | = Frame OM Width - (Panel Width x 2) - 5.991  |
|                                      |                           | <b>3 Panel OXO</b>                            |
|                                      |                           | = Frame OM Width - (Panel Width x 2) - 6.342  |
|                                      |                           | <b>4 Panel</b>                                |
|                                      |                           | = Frame OM Width - (Panel Width x 2) - 11.829 |
| 78 in (IRC 2012)<br>80 in (IBC 2012) | Egress Opening Height, in | = Frame OM Height - 4.768                     |

| Egress Conversions                   |                           |                                              |
|--------------------------------------|---------------------------|----------------------------------------------|
| HP/IZ3 Sliding French Door           |                           |                                              |
| Minimum Value for Net Clear Opening  | Desired Dimension         | Formula                                      |
| 32 in                                | Egress Opening Width, in* | <b>2 Panel</b>                               |
|                                      |                           | = Frame OM Width - Panel Width - 6.681       |
|                                      |                           | <b>3 Panel OOX/XOO</b>                       |
|                                      |                           | = Frame OM Width - (Panel Width x 2) - 5.991 |
|                                      |                           | <b>3 Panel OXO</b>                           |
|                                      |                           | = Frame OM Width - (Panel Width x 2) - 6.342 |
| 78 in (IRC 2012)<br>80 in (IBC 2012) | Egress Opening Height, in | = Frame OM Height - 5.422                    |



**Clear Opening Measurements**

**EGRESS MEASUREMENTS**



Code restrictions may vary depending on your local codes. For additional information contact your local code department for IBC and IRC requirements.

### Measurement Conversions

#### Rough Opening Table for Assemblies

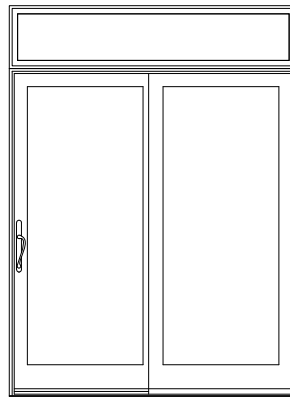
- HEIGHT: Single unit Rough Opening height MINUS 1/2" (13) = Frame height.  
ADD all frame heights PLUS 1/2" (13) = Total Rough Opening Height.

| Unit Measurements                  |                               |     |          |        |           |       |
|------------------------------------|-------------------------------|-----|----------|--------|-----------|-------|
| From                               | To                            |     | Width    |        | Height    |       |
|                                    |                               |     | in       | mm     | in        | mm    |
| Frame                              |                               |     |          |        |           |       |
| Masonry Opening                    | Rough Opening                 |     | + 1/2    | (13)   | + 1/4     | (6)   |
| Masonry Opening w/BMC              | Rough Opening                 |     | + 1/2    | (13)   | + 1/4     | (6)   |
| OM of Frame                        | Rough Opening                 |     | +1       | (25)   | + 1/2     | (13)  |
| Daylight Opening                   |                               |     | in       | mm     | in        | mm    |
| Daylight Opening                   | Glass                         |     | +1 3/16  | (30)   | +1 3/16   | (30)  |
| Daylight Opening                   | Glass (Impact Unit)           |     | +1 1/8   | (29)   | +1 5/64   | (27)  |
| Daylight Opening                   | OM of Panel                   |     | +7 1/4   | (184)  | +9 5/8    | (244) |
| Daylight Opening                   | OM of Screen                  |     | +6 13/16 | (173)  | +9 61/64  | (253) |
| Daylight Opening (Impact/HP Units) | OM of Screen                  |     | +6 13/16 | (173)  | +10 39/64 | (269) |
| 2 Panel                            |                               |     | in       | mm     | in        | mm    |
| OM of Frame                        | OM of Panel                   | ÷ 2 | + 1/8    | (3)    | -2 25/32  | (71)  |
| OM of Frame                        | OM of Panel (Impact/HP Units) | ÷ 2 | + 1/8    | (3)    | -3 7/16   | (87)  |
| OM of Frame                        | Glass                         | ÷ 2 | -5 15/16 | -(151) | -11 7/32  | (285) |
| OM of Frame                        | Glass (HP Unit)               | ÷ 2 | -5 15/16 | -(151) | -11 7/8   | (302) |
| OM of Frame                        | Glass (Impact Unit)           | ÷ 2 | -6       | -(152) | -11 63/64 | (304) |
| Daylight Opening                   | Rough Opening                 | × 2 | +15 1/4  | (387)  | +12 29/32 | (328) |
| Daylight Opening (Impact/HP Units) | Rough Opening                 | × 2 | +15 1/4  | (387)  | +13 9/16  | (344) |
| 3 Panel                            |                               |     | in       | mm     | in        | mm    |
| OM of Frame                        | OM of Panel                   | ÷ 3 | + 1/8    | (3)    | -2 25/32  | (71)  |
| OM of Frame                        | OM of Panel (Impact/HP Units) | ÷ 3 | + 1/8    | (3)    | -3 7/16   | (87)  |
| OM of Frame                        | Glass                         | ÷ 3 | -5 15/16 | -(151) | -11 7/32  | (285) |
| OM of Frame                        | Glass (HP Unit)               | ÷ 3 | -5 15/16 | -(151) | -11 7/8   | (302) |
| Daylight Opening                   | Rough Opening                 | × 3 | +22 3/8  | (568)  | +12 29/32 | (328) |
| Daylight Opening (Impact/HP Units) | Rough Opening                 | × 3 | +22 3/8  | (568)  | +13 9/16  | (344) |
| 4 Panel                            |                               |     | in       | mm     | in        | mm    |
| OM of Frame                        | OM of Panel                   | ÷ 4 | + 3/8    | (10)   | -2 25/32  | (71)  |
| OM of Frame                        | Glass                         | ÷ 4 | -5 11/16 | -(144) | -11 7/32  | (285) |
| Daylight Opening                   | Rough Opening                 | × 4 | +28 1/2  | (724)  | +12 29/32 | (328) |
| Transom                            |                               |     | in       | mm     | in        | mm    |
| OM of Frame                        | Glass                         |     | -2 13/16 | -(71)  | -2 13/16  | -(71) |
| OM of Frame                        | Glass (Impact Unit)           |     | -3       | -(76)  | -3        | -(76) |
| Daylight Opening                   | Glass                         |     | +1 9/16  | (40)   | +1 9/16   | (40)  |
| Daylight Opening                   | Glass (Impact Unit)           |     | +1 3/8   | (35)   | +1 3/8    | (35)  |
| Daylight Opening                   | Frame                         |     | +4 3/8   | (111)  | +4 3/8    | (111) |
| Daylight Opening                   | Rough Opening                 |     | +5 3/8   | (137)  | +4 7/8    | (124) |

**Mulling Guidelines****Factory Mulling**

The Elevate Sliding French Door may be mullled to Elevate Direct Glaze Polygon and Round Tops.

- Maximum Mullled Assembly RO Size
  - 1 unit wide x 2 units high - 72" (1829) x 100 1/2" (2553)
- Field Mulling beyond 110" (2794) x 112" (2845) is not recommended



Standard Mull

**Mulling Guidelines**

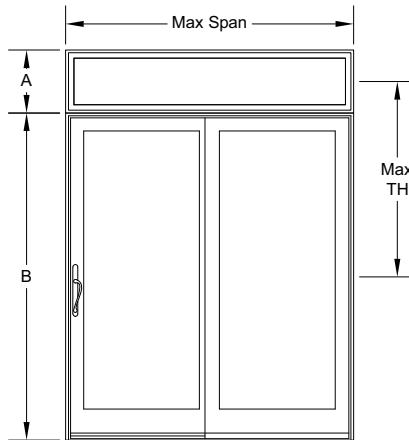
**IZ3 Certified Mull Limits: WDMA Hallmark certified to AAMA 450**

The Elevate Sliding French Door may be mulled to Elevate Direct Glaze Polygon and Round Tops.

- If assemblies have individual units that have a lower design pressure than the mull, the entire assembly is rated at the lower design pressure.
- Items not included in certified mulls: standard mull assemblies, Round Tops

- One-directional mull limits (all factory mulls)
  - Maximum Mull Assembly RO Size
    - Max Span: 71" (1803), Maximum TW or TH: 50" (1270)
    - Maximum RO: 72" x 100 1/2" (1829 x 2553)
    - DP: +55/-55

- Standard Mulls are not certified
- Limited to 1H or 1W only
- Assembly DP is lowest DP of mull or any product
- Stepped Mulls are not certified
- Tributary Height = (A+B)/2



Certified Mull

**Certified Mulling Guidelines**

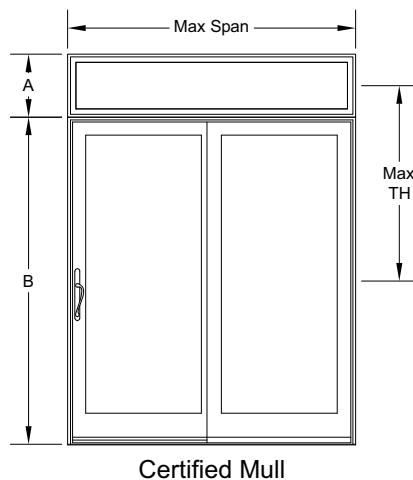
**Certified Mull Limits: WDMA Hallmark certified to AAMA 450.**

The Elevate Sliding French Door may be mull to Elevate Direct Glaze Polygon and Round Tops.

- If assemblies have individual units that have a lower design pressure than the mull, the entire assembly is rated at the lower design pressure.
- Mull certification includes 4" mull clips (nail fin installation) or mull brackets (structural brackets installation) at all mull joints.
- Items not included in certified mulls: Step mulls, Palladians, Polygon Shapes, Through Jamb, Narrow Frame and Insert Products.

- One-directional mull limits (all factory mulls)
  - Maximum Mull Assembly (1 wide x 2 high)
    - Max Span: 71" (1803), Maximum TW or TH: 50" (1270)
    - Maximum RO: 72" x 100 1/2" (1829 x 2553)
    - DP: 50

- Tributary Height = (A+B)/2

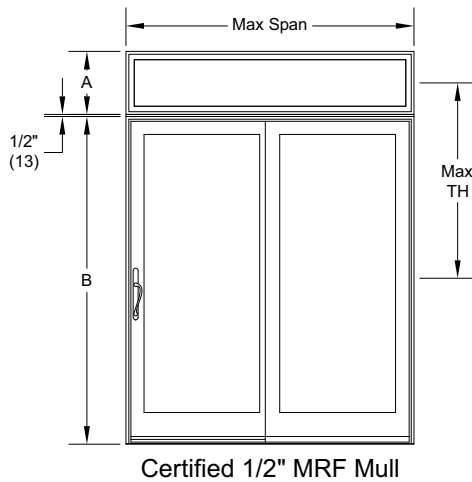


**Certified 1/2" MRF Mulling Guidelines**

**Certified Mull Limits: WDMA Hallmark certified to AAMA 450.**

The Elevate Sliding French Door may be mull to Elevate Direct Glaze Polygon and Round Tops.

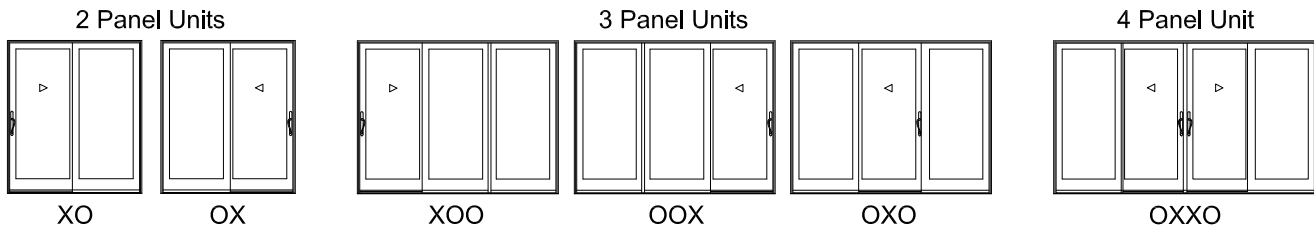
- If assemblies have individual units that have a lower design pressure than the mull, the entire assembly is rated at the lower design pressure.
- Mull certification includes 4" mull clips (nail fin installation) or mull brackets (structural installation) at all mull joints.
- Items not included in certified mulls: Step mulls, Palladians, Polygon Shapes, Through Jamb, Narrow Frame and Insert Products.
  
- One-directional mull limits (all factory mulls)
  - Maximum Mull Assembly (1 wide x 2 high)
    - Max Span: 71" (1803), Maximum TW or TH: 50" (1270)
    - Maximum RO: 72" x 100 1/2" (1829 x 2553)
    - DP: 50
  
- Tributary Height = (A+B)/2



**Standard Sizes**

| Standard Sliding French Unit Measurements |      |                 |        |               |        |            |        |           |        |            |        |                  |        |            |        |
|-------------------------------------------|------|-----------------|--------|---------------|--------|------------|--------|-----------|--------|------------|--------|------------------|--------|------------|--------|
| Width                                     |      |                 |        |               |        |            |        |           |        |            |        |                  |        |            |        |
| Unit Type                                 | CN   | Masonry Opening |        | Rough Opening |        | Frame Size |        | Panel OM  |        | Screen OM  |        | Daylight Opening |        | Glass Size |        |
|                                           |      | ft - in         | mm     | ft - in       | mm     | ft - in    | mm     | ft-in     | mm     | ft-in      | mm     | ft - in          | mm     | ft - in    | mm     |
| 2 Panel                                   | 5-0  | 4-11 1/2        | (1511) | 5-0           | (1524) | 4-11       | (1499) | 2-5 5/8   | (752)  | 2-5 3/16   | (741)  | 1-10 3/8         | (568)  | 1-11 9/16  | (599)  |
|                                           | 6-0  | 5-11 1/2        | (1816) | 6-0           | (1829) | 5-11       | (1803) | 2-11 5/8  | (905)  | 2-11 3/16  | (894)  | 2-4 3/8          | (721)  | 2-5 9/16   | (751)  |
|                                           | 8-0  | 7-11 1/2        | (2426) | 8-0           | (2438) | 7-11       | (2413) | 3-11 5/8  | (1210) | 3-11 3/16  | (1199) | 3-4 3/8          | (1026) | 3-5 9/16   | (1056) |
| 3 Panel                                   | 7-6  | 7-5             | (2261) | 7-5 1/2       | (2273) | 7-4 1/2    | (2248) | 2-5 5/8   | (752)  | 2-5 3/16   | (741)  | 1-10 3/8         | (568)  | 1-11 9/16  | (599)  |
|                                           | 9-0  | 8-11            | (2718) | 8-11 1/2      | (2731) | 8-10 1/2   | (2705) | 2-11 5/8  | (905)  | 2-11 3/16  | (894)  | 2-4 3/8          | (721)  | 2-5 9/16   | (751)  |
|                                           | 12-0 | 11-11           | (3632) | 11-11 1/2     | (3645) | 11-10 1/2  | (3620) | 3-11 5/8  | (1210) | 3-11 3/16  | (1199) | 3-4 3/8          | (1026) | 3-5 9/16   | (1056) |
| 4 Panel                                   | 10-0 | 9-9 1/2         | (2985) | 9-10          | (2997) | 9-9        | (2972) | 2-5 5/8   | (752)  | 2-5 3/16   | (741)  | 1-10 3/8         | (568)  | 1-11 9/16  | (599)  |
|                                           | 12-0 | 11-9 1/2        | (3594) | 11-10         | (3607) | 11-9       | (3581) | 2-11 5/8  | (905)  | 2-11 3/16  | (894)  | 2-4 3/8          | (721)  | 2-5 9/16   | (751)  |
|                                           | 16-0 | 15-9 1/2        | (4813) | 15-10         | (4826) | 15-9       | (4801) | 3-11 5/8  | (1210) | 3-11 3/16  | (1199) | 3-4 3/8          | (1026) | 3-5 9/16   | (1056) |
| Height                                    |      |                 |        |               |        |            |        |           |        |            |        |                  |        |            |        |
| Unit Type                                 | CN   | Masonry Opening |        | Rough Opening |        | Frame Size |        | Panel OM  |        | Screen OM  |        | Daylight Opening |        | Glass Size |        |
|                                           |      | ft - in         | mm     | ft - in       | mm     | ft - in    | mm     | ft-in     | mm     | ft-in      | mm     | ft - in          | mm     | ft - in    | mm     |
| All Configurations                        | 6-5  | 6-7 3/4         | (2026) | 6-8           | (2032) | 6-7 1/2    | (2019) | 6-4 23/32 | (1949) | 6-5 3/64   | (1957) | 5-7 3/32         | (1704) | 5-8 9/32   | (1734) |
|                                           | 6-8  | 6-10 1/4        | (2089) | 6-10 1/2      | (2096) | 6-10       | (2083) | 6-7 7/32  | (2012) | 6-7 35/64  | (2020) | 5-9 19/32        | (1768) | 5-10 25/32 | (1798) |
|                                           | 7-0  | 7-2 1/4         | (2191) | 7-2 1/2       | (2197) | 7-2        | (2184) | 6-11 7/32 | (2114) | 6-11 35/64 | (2122) | 6-1 19/32        | (1869) | 6-2 25/32  | (1900) |
|                                           | 8-0  | 7-11 3/4        | (2432) | 8-0           | (2438) | 7-11 1/2   | (2426) | 7-8 23/32 | (2355) | 7-9 3/64   | (2363) | 6-11 3/32        | (2111) | 7-0 9/32   | (2141) |

**OPERATION**



O = Stationary Panel

X = Operating Panel

All units views from exterior

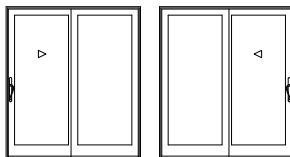
Shown as LH - also available as RH (Handing is determined by the location of the primary operator panel as viewed from exterior).

**Standard Sizes**

| HP Sliding French Unit Measurements  |     |                 |        |               |        |            |        |           |        |            |        |                  |        |            |        |
|--------------------------------------|-----|-----------------|--------|---------------|--------|------------|--------|-----------|--------|------------|--------|------------------|--------|------------|--------|
| Width                                |     |                 |        |               |        |            |        |           |        |            |        |                  |        |            |        |
| Unit Type                            | CN  | Masonry Opening |        | Rough Opening |        | Frame Size |        | Panel OM  |        | Screen OM  |        | Daylight Opening |        | Glass Size |        |
|                                      |     | ft - in         | mm     | ft - in       | mm     | ft - in    | mm     | ft-in     | mm     | ft-in      | mm     | ft - in          | mm     | ft - in    | mm     |
| 2 Panel                              | 5-0 | 4-11 1/2        | (1511) | 5-0           | (1524) | 4-11       | (1499) | 2-5 5/8   | (752)  | 2-5 3/16   | (741)  | 1-10 3/8         | (568)  | 1-11 9/16  | (599)  |
|                                      | 6-0 | 5-11 1/2        | (1816) | 6-0           | (1829) | 5-11       | (1803) | 2-11 5/8  | (905)  | 2-11 3/16  | (894)  | 2-4 3/8          | (721)  | 2-5 9/16   | (751)  |
|                                      | 8-0 | 7-11 1/2        | (2426) | 8-0           | (2438) | 7-11       | (2413) | 3-11 5/8  | (1210) | 3-11 3/16  | (1199) | 3-4 3/8          | (1026) | 3-5 9/16   | (1056) |
| 3 Panel                              | 7-6 | 7-5             | (2261) | 7-5 1/2       | (2273) | 7-4 1/2    | (2248) | 2-5 5/8   | (752)  | 2-5 3/16   | (741)  | 1-10 3/8         | (568)  | 1-11 9/16  | (599)  |
|                                      | 9-0 | 8-11            | (2718) | 8-11 1/2      | (2731) | 8-10 1/2   | (2705) | 2-11 5/8  | (905)  | 2-11 3/16  | (894)  | 2-4 3/8          | (721)  | 2-5 9/16   | (751)  |
| Height                               |     |                 |        |               |        |            |        |           |        |            |        |                  |        |            |        |
| Unit Type                            | CN  | Masonry Opening |        | Rough Opening |        | Frame Size |        | Panel OM  |        | Screen OM  |        | Daylight Opening |        | Glass Size |        |
|                                      |     | ft - in         | mm     | ft - in       | mm     | ft - in    | mm     | ft-in     | mm     | ft-in      | mm     | ft - in          | mm     | ft - in    | mm     |
| All Configurations                   | 6-5 | 6-7 3/4         | (2026) | 6-8           | (2032) | 6-7 1/2    | (2019) | 6-4 1/16  | (1932) | 6-5 3/64   | (1957) | 5-6 7/16         | (1688) | 5-7 5/8    | (1718) |
|                                      | 6-8 | 6-10 1/4        | (2089) | 6-10 1/2      | (2096) | 6-10       | (2083) | 6-6 9/16  | (1996) | 6-7 35/64  | (2020) | 5-8 15/16        | (1751) | 5-10 1/8   | (1781) |
|                                      | 7-0 | 7-2 1/4         | (2191) | 7-2 1/2       | (2197) | 7-2        | (2184) | 6-10 9/16 | (2097) | 6-11 35/64 | (2122) | 6-0 15/16        | (1853) | 6-2 1/8    | (1883) |
|                                      | 8-0 | 7-11 3/4        | (2432) | 8-0           | (2438) | 7-11 1/2   | (2426) | 7-8 1/16  | (2338) | 7-9 3/64   | (2363) | 6-10 7/16        | (2094) | 6-11 5/8   | (2124) |
| I23 Sliding French Unit Measurements |     |                 |        |               |        |            |        |           |        |            |        |                  |        |            |        |
| Width                                |     |                 |        |               |        |            |        |           |        |            |        |                  |        |            |        |
| Unit Type                            | CN  | Masonry Opening |        | Rough Opening |        | Frame Size |        | Panel OM  |        | Screen OM  |        | Daylight Opening |        | Glass Size |        |
|                                      |     | ft - in         | mm     | ft - in       | mm     | ft - in    | mm     | ft-in     | mm     | ft-in      | mm     | ft - in          | mm     | ft - in    | mm     |
| 2 Panel                              | 5-0 | 4-11 1/2        | (1511) | 5-0           | (1524) | 4-11       | (1499) | 2-5 5/8   | (752)  | 2-5 3/16   | (741)  | 1-10 3/8         | (568)  | 1-11 1/2   | (597)  |
|                                      | 6-0 | 5-11 1/2        | (1816) | 6-0           | (1829) | 5-11       | (1803) | 2-11 5/8  | (905)  | 2-11 3/16  | (894)  | 2-4 3/8          | (721)  | 2-5 1/2    | (749)  |
|                                      | 8-0 | 7-11 1/2        | (2426) | 8-0           | (2438) | 7-11       | (2413) | 3-11 5/8  | (1210) | 3-11 3/16  | (1199) | 3-4 3/8          | (1026) | 3-5 1/2    | (1054) |
| Height                               |     |                 |        |               |        |            |        |           |        |            |        |                  |        |            |        |
| Unit Type                            | CN  | Masonry Opening |        | Rough Opening |        | Frame Size |        | Panel OM  |        | Screen OM  |        | Daylight Opening |        | Glass Size |        |
|                                      |     | ft - in         | mm     | ft - in       | mm     | ft - in    | mm     | ft-in     | mm     | ft-in      | mm     | ft - in          | mm     | ft - in    | mm     |
| All Configurations                   | 6-5 | 6-7 3/4         | (2026) | 6-8           | (2032) | 6-7 1/2    | (2019) | 6-4 1/16  | (1932) | 6-5 3/64   | (1957) | 5-6 7/16         | (1688) | 5-7 33/64  | (1715) |
|                                      | 6-8 | 6-10 1/4        | (2089) | 6-10 1/2      | (2096) | 6-10       | (2083) | 6-6 9/16  | (1996) | 6-7 35/64  | (2020) | 5-8 15/16        | (1751) | 5-10 1/64  | (1778) |
|                                      | 7-0 | 7-2 1/4         | (2191) | 7-2 1/2       | (2197) | 7-2        | (2184) | 6-10 9/16 | (2097) | 6-11 35/64 | (2122) | 6-0 15/16        | (1853) | 6-2 1/64   | (1880) |
|                                      | 8-0 | 7-11 3/4        | (2432) | 8-0           | (2438) | 7-11 1/2   | (2426) | 7-8 1/16  | (2338) | 7-9 3/64   | (2363) | 6-10 7/16        | (2094) | 6-11 33/64 | (2121) |

**OPERATION**

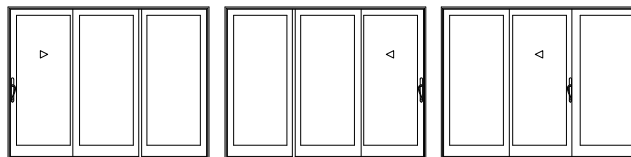
2 Panel Units



XO

OX

3 Panel Units

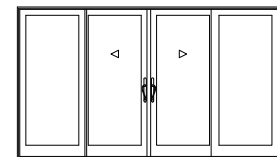


XOO

OOX

OXO

4 Panel Unit

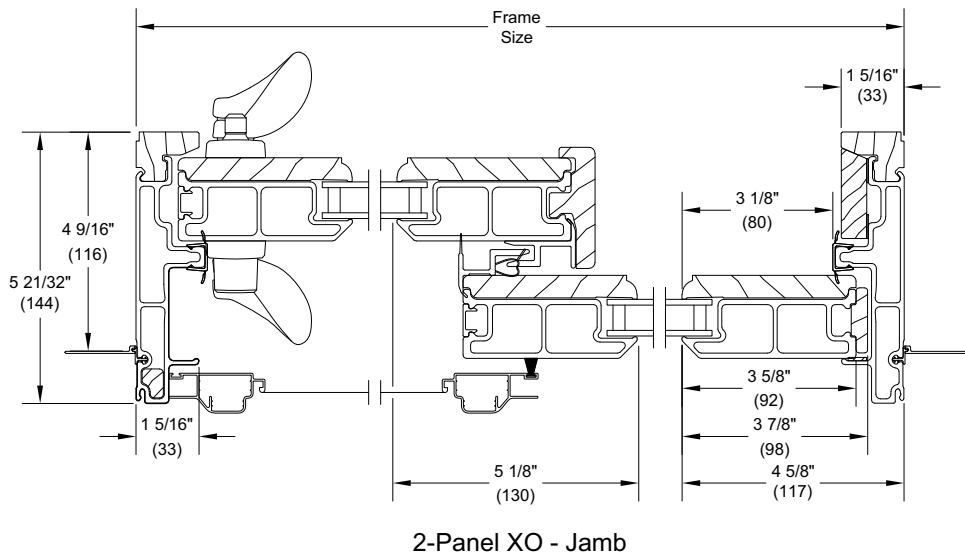
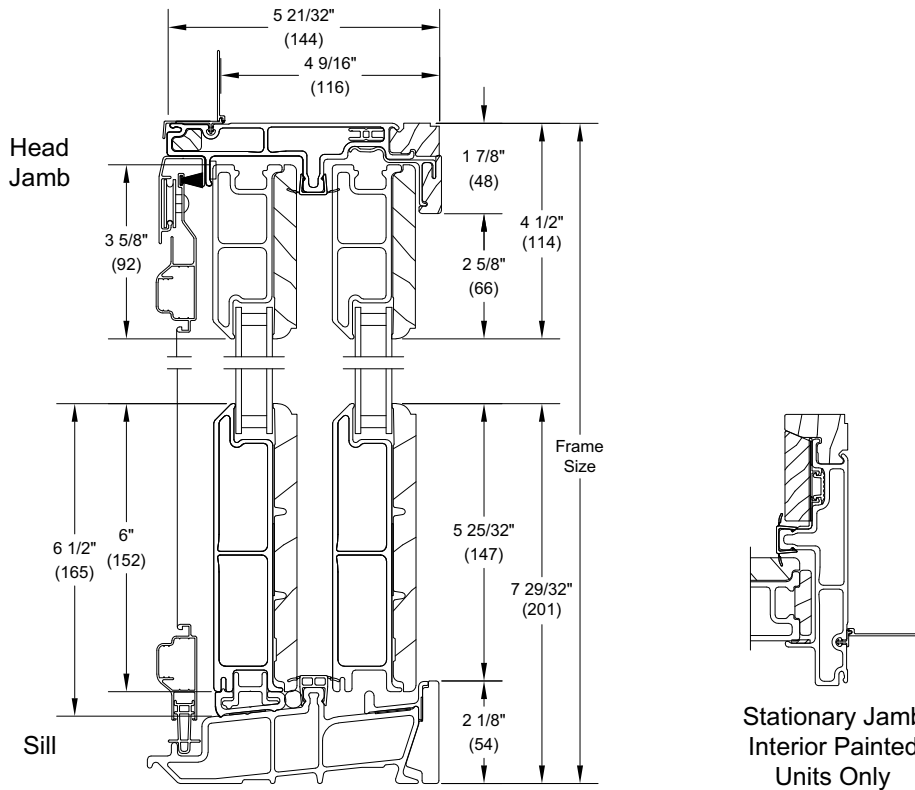


OXXO



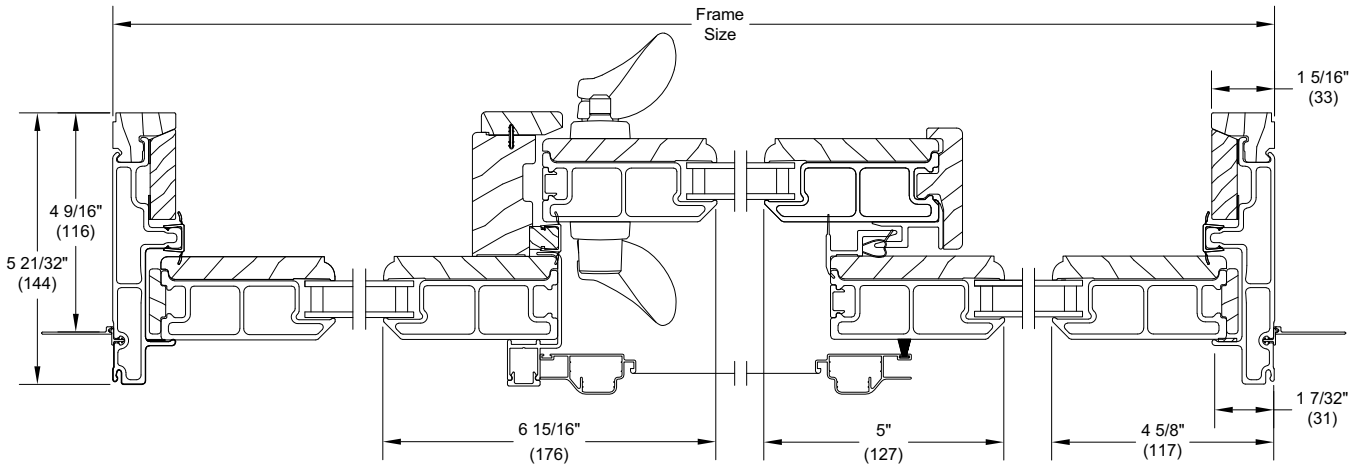
**Section Details: Standard - 4 9/16" Jamb (2 panels)**

Scale: 3" = 1' 0"

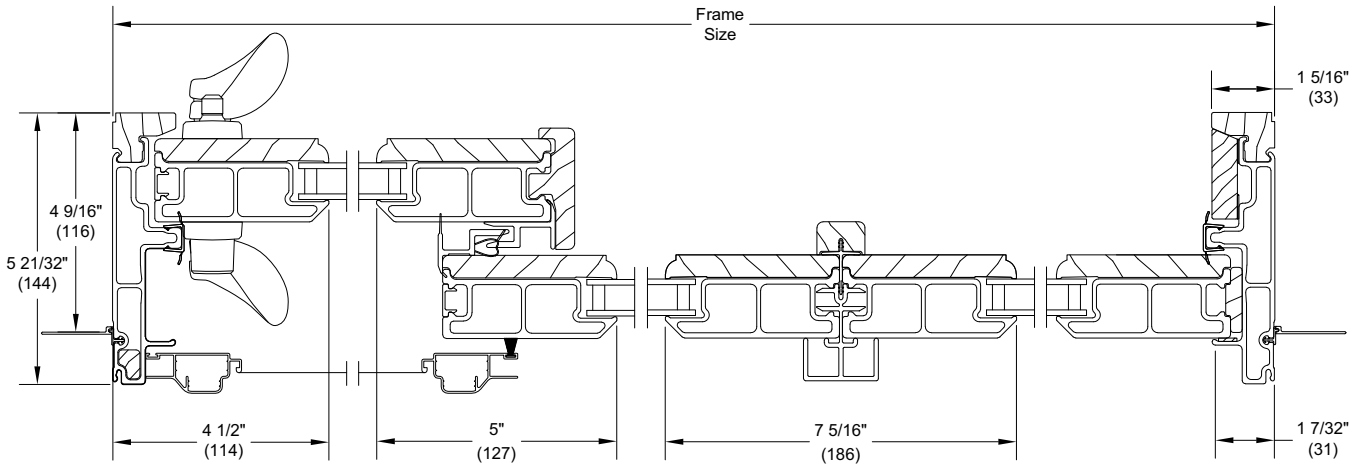


**Section Details: Standard - 4 9/16" Jamb (3 panels)**

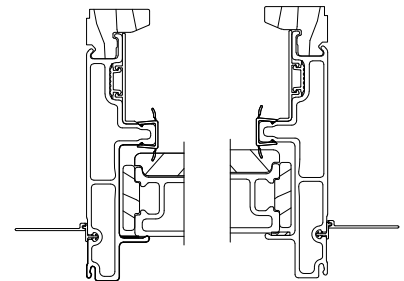
Scale: 3" = 1' 0"



**3-Panel OXO - Jamb**



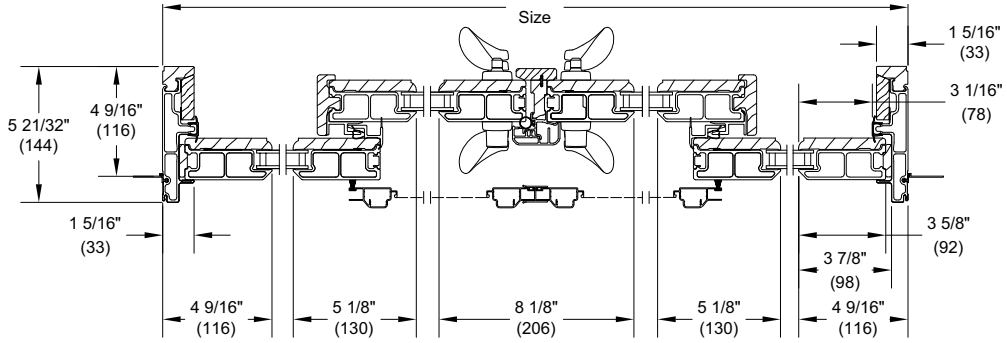
**3-Panel XO0 - Jamb**



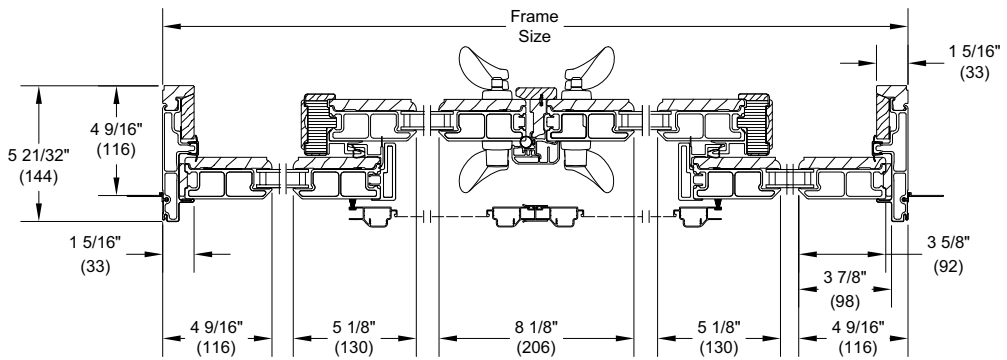
**Stationary Jambs  
Interior Painted  
Units Only**

**Section Details: Standard - 4 9/16" Jamb (4 panels)**

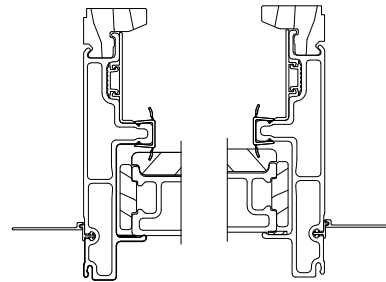
Scale: 3" = 1' 0"



**4-Panel OXXO - Jamb**  
 Sizes <= 86.000



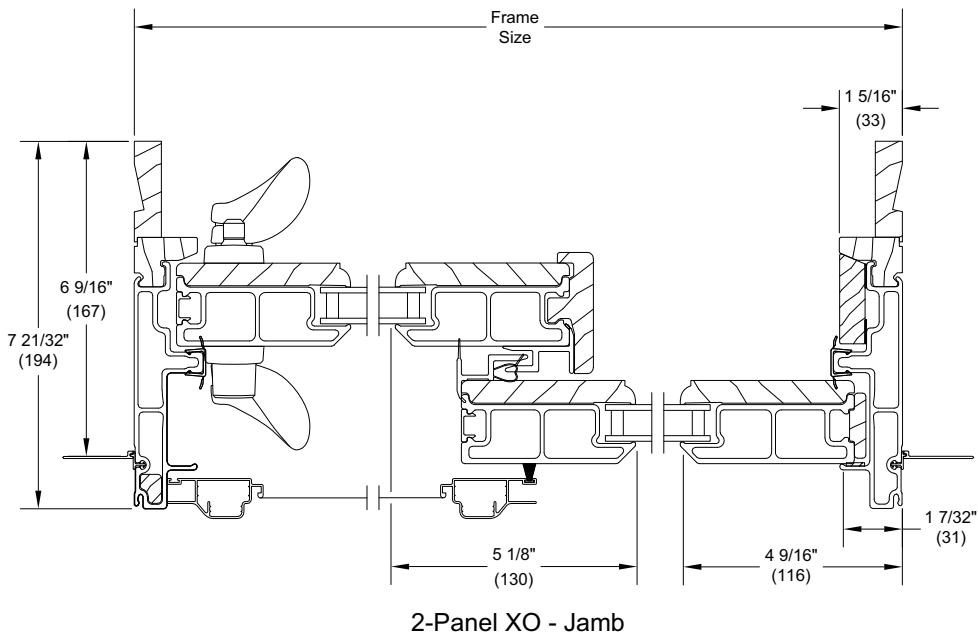
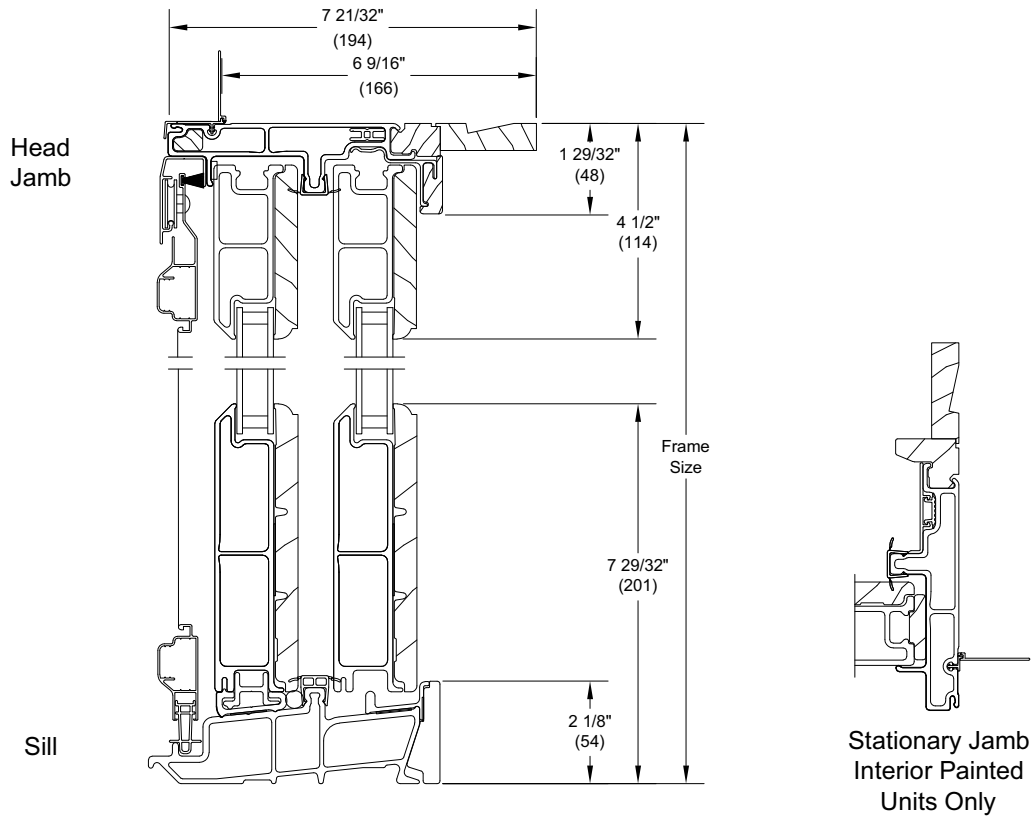
**4-Panel OXXO - Jamb**  
 Sizes > 86.000



**Stationary Jambs**  
 Interior Painted  
 Units Only

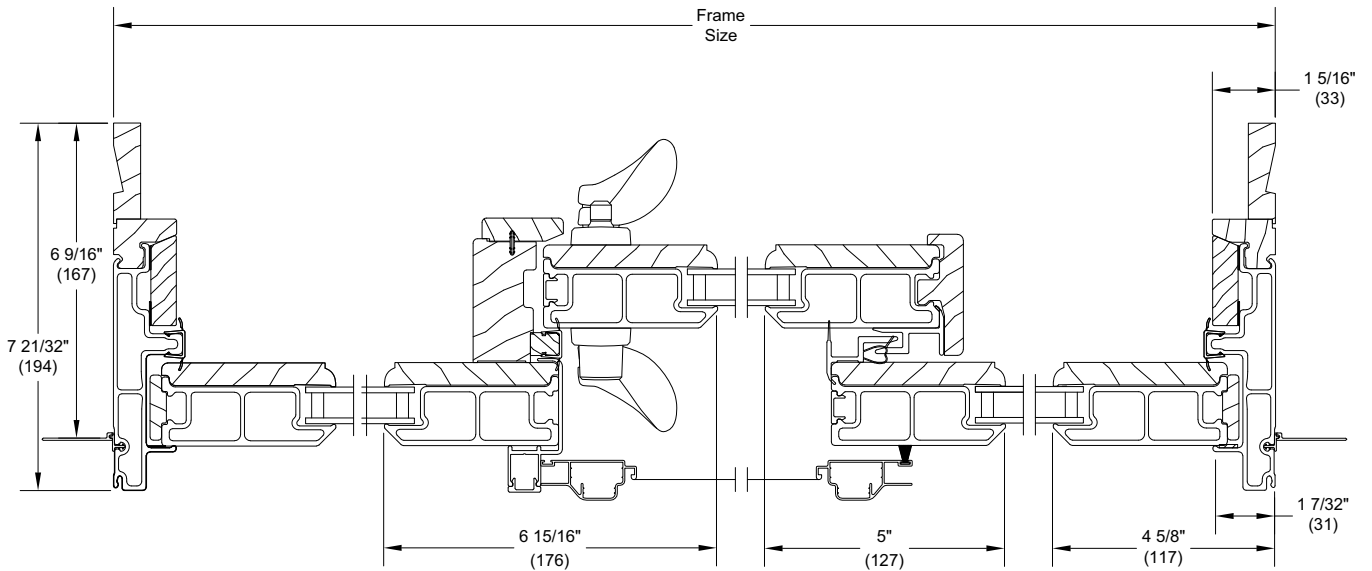
**Section Details: Standard - 6 9/16" Jamb (2 panels)**

Scale: 3" = 1' 0"

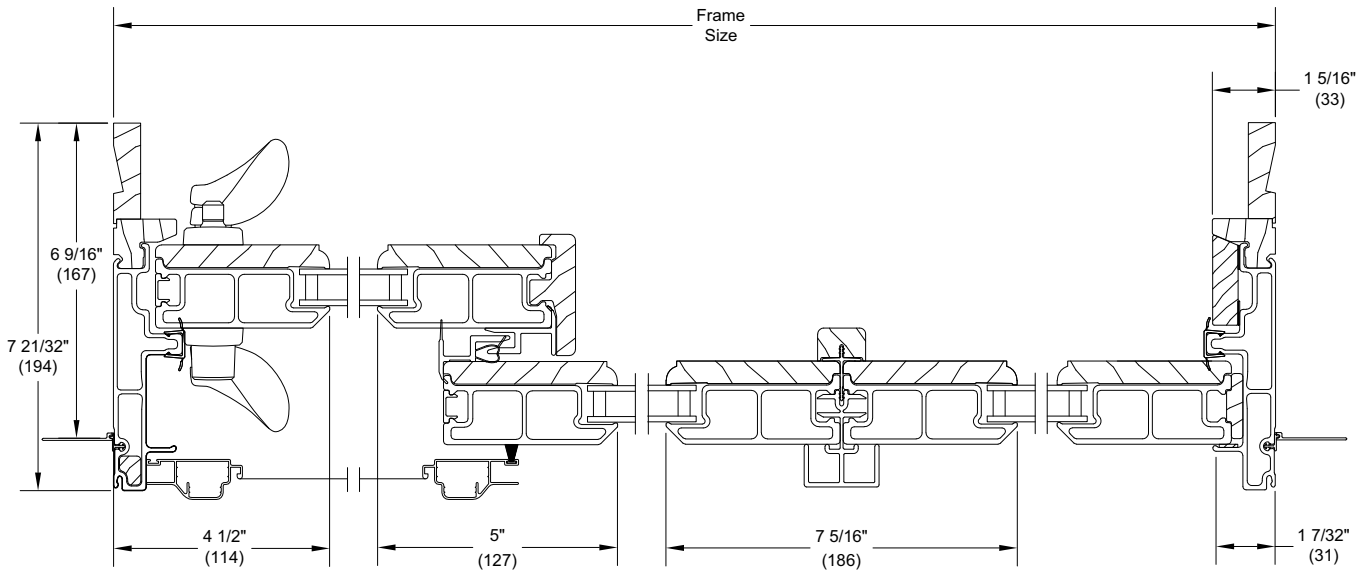


**Section Details: Standard - 6 9/16" Jamb (3 panels)**

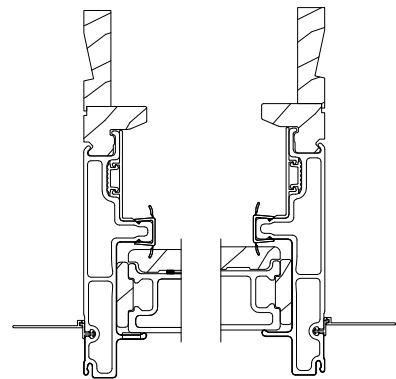
Scale: 3" = 1' 0"



**3-Panel OXO - Jamb**



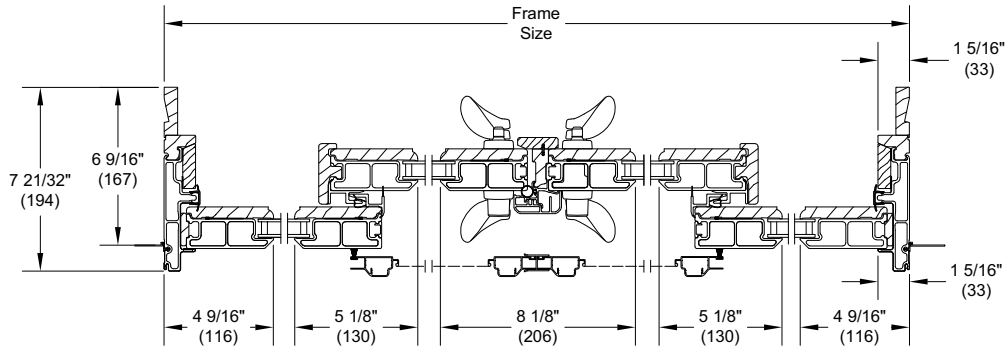
**3-Panel XOO - Jamb**



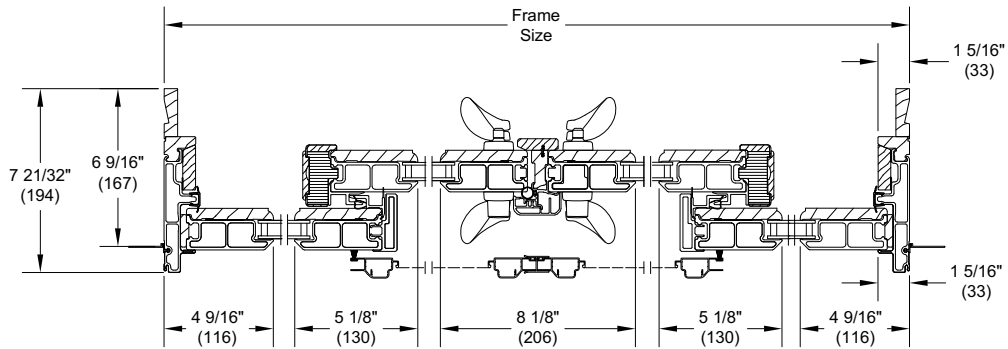
**Stationary Jamb  
Interior Painted  
Units Only**

**Section Details: Standard - 6 9/16" Jamb (4 panels)**

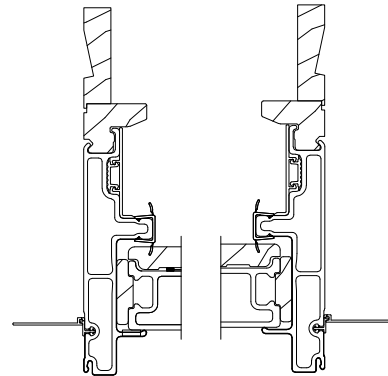
Scale: 3" = 1' 0"



**4-Panel OXXO - Jamb**  
**Sizes <= 86.000**



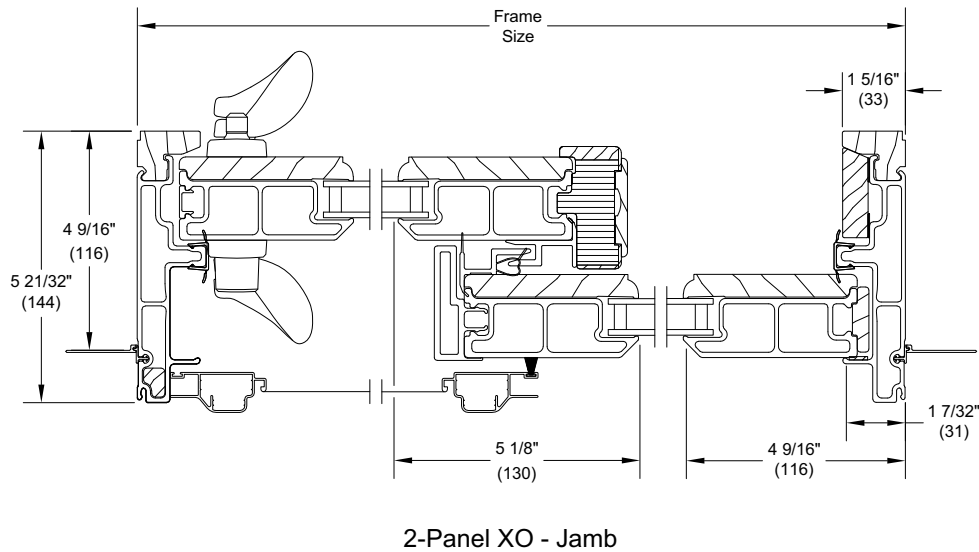
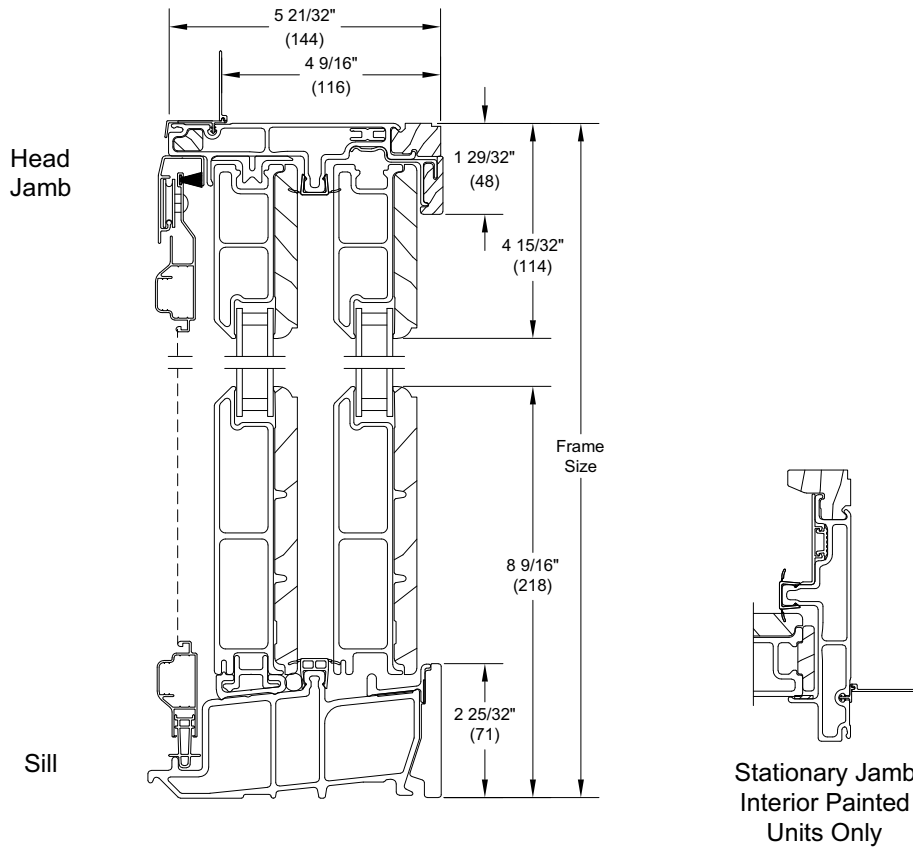
**4-Panel OXXO - Jamb**  
**Sizes > 86.000**



**Stationary Jambs**  
**Interior Painted**  
**Units Only**

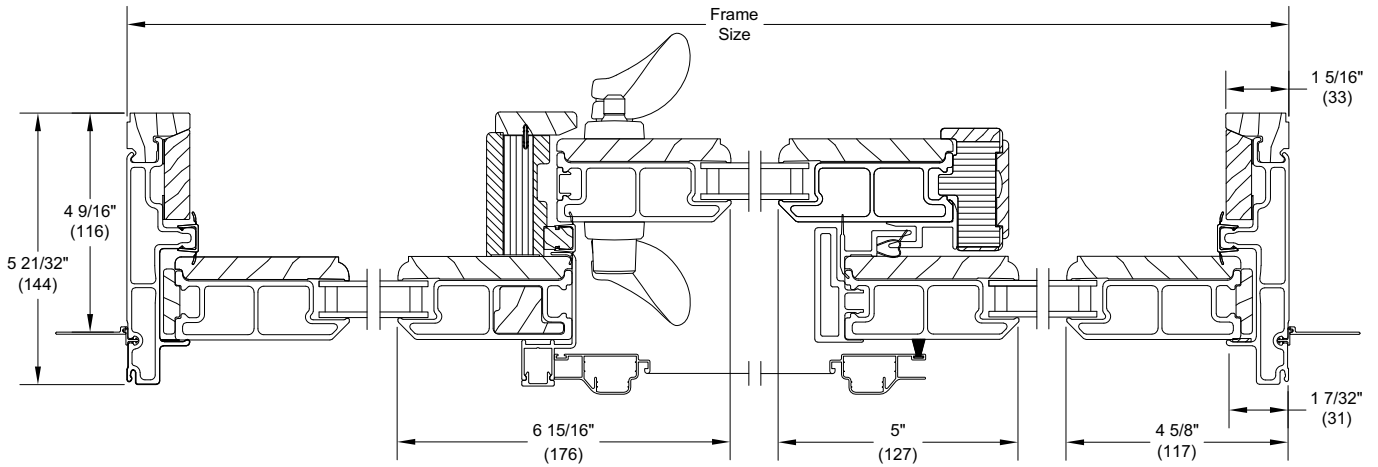
**Section Details: High Performance - 4 9/16" Jamb (2 panels)**

Scale: 3" = 1' 0"

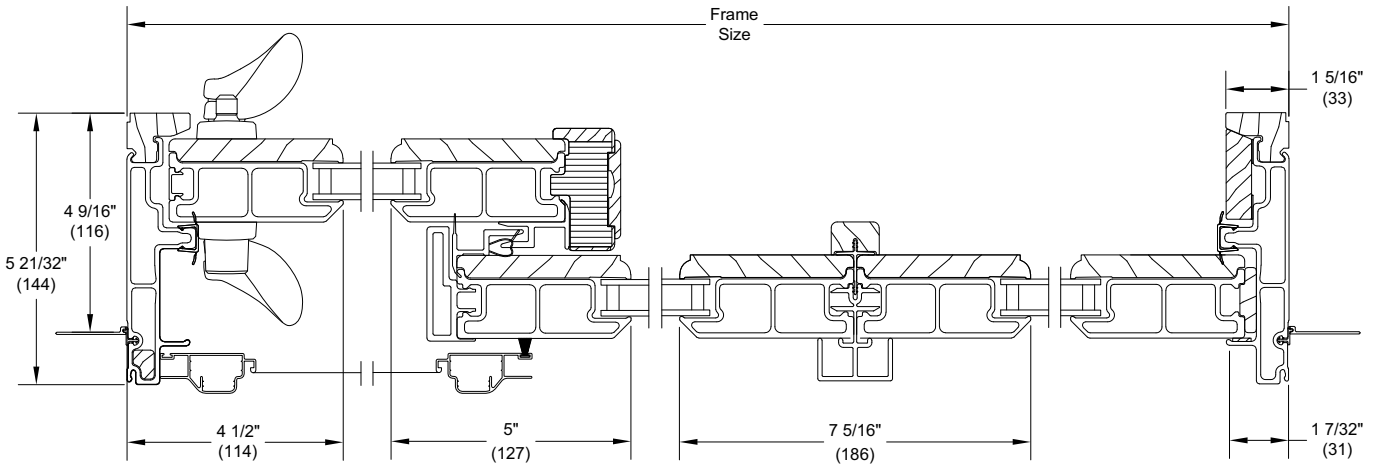


**Section Details: High Performance - 4 9/16" Jamb (3 panels)**

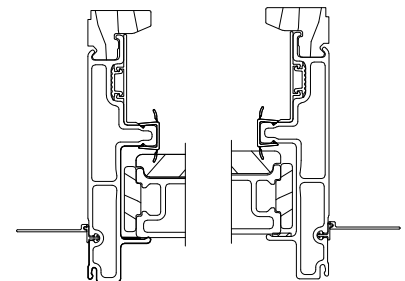
Scale: 3" = 1' 0"



**3-Panel OXO - Jamb**



**3-Panel XO0 - Jamb**

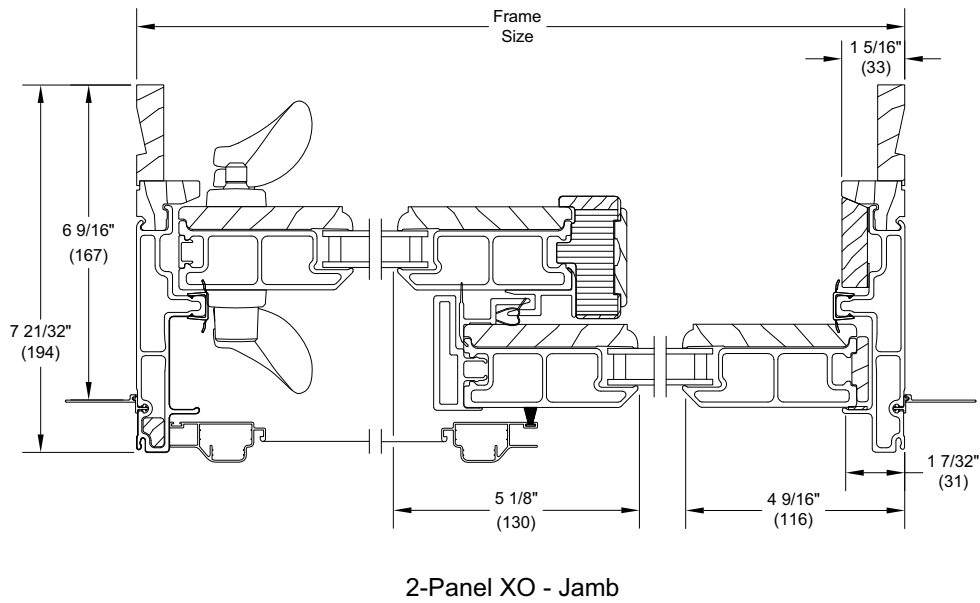
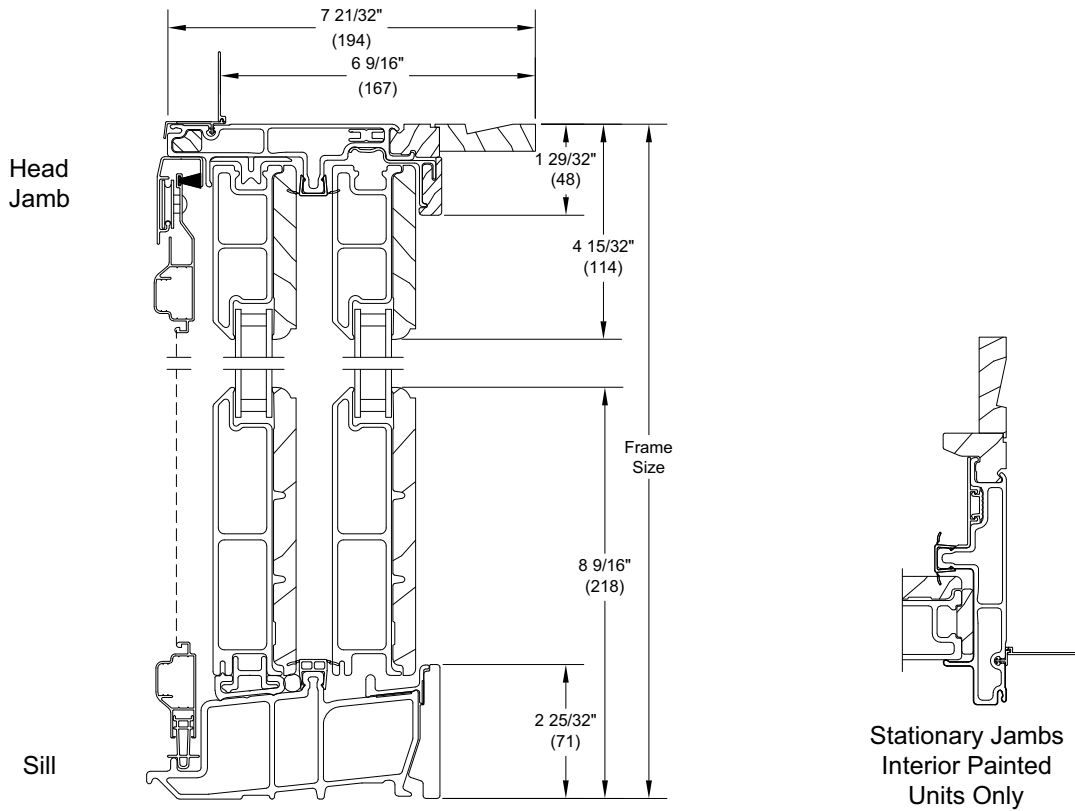


**Stationary Jamba  
Interior Painted  
Units Only**



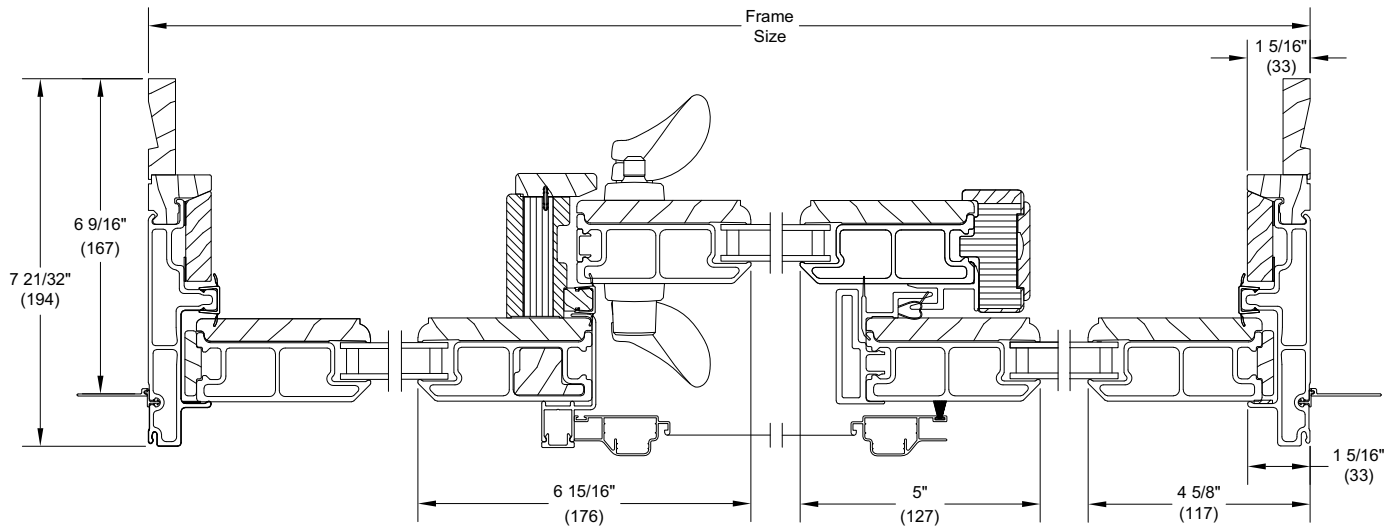
**Section Details: High Performance - 6 9/16" Jamb (2 panels)**

Scale: 3" = 1' 0"

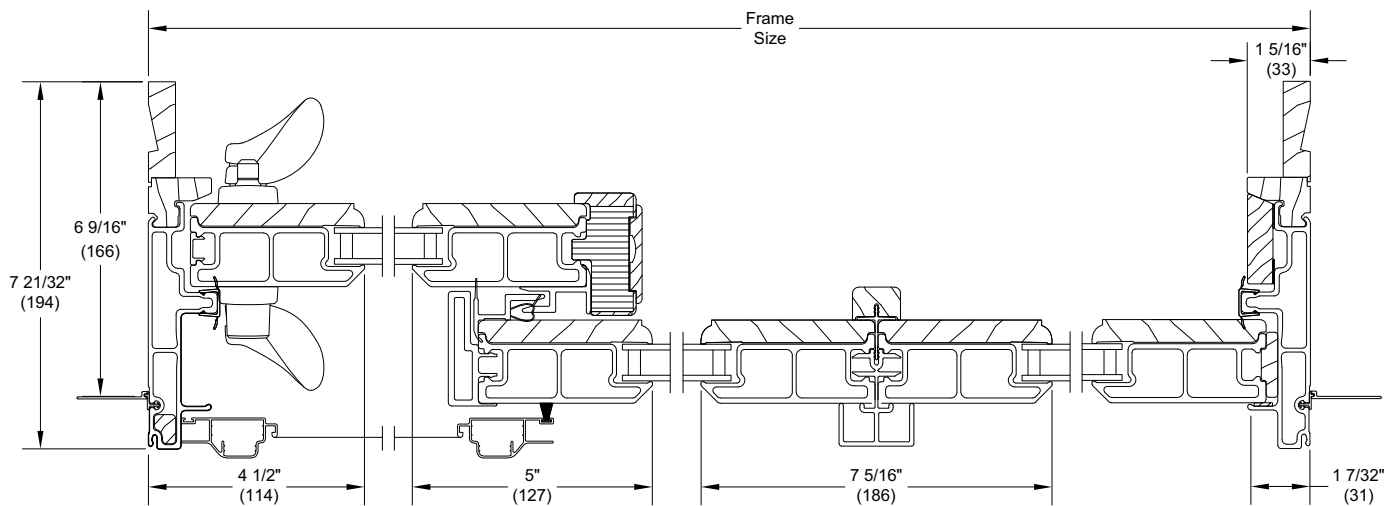


**Section Details: High Performance - 6 9/16" Jamb (3 panels)**

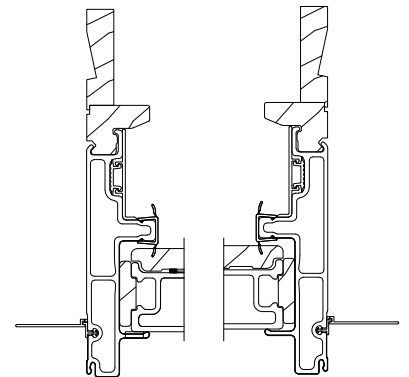
Scale: 3" = 1' 0"



**3-Panel OXO - Jamb**



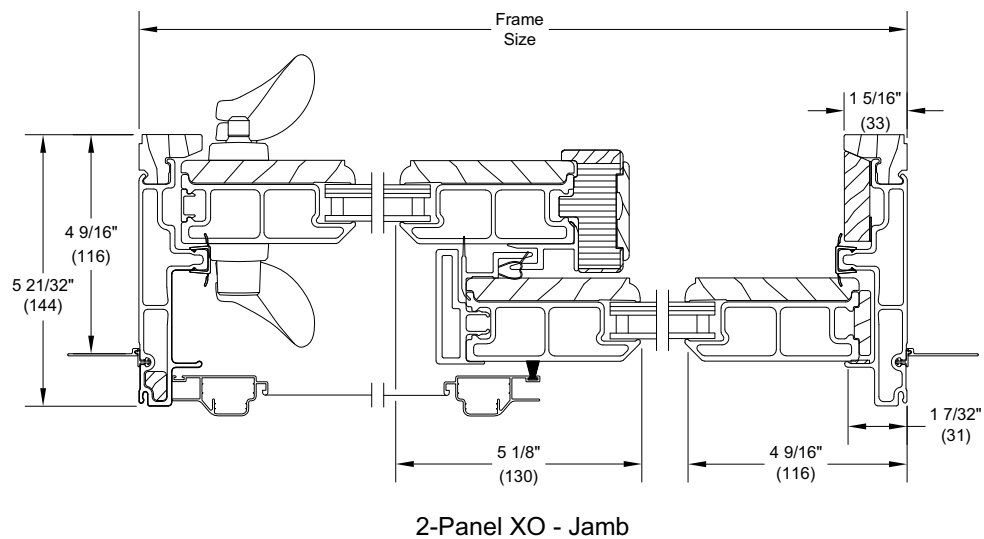
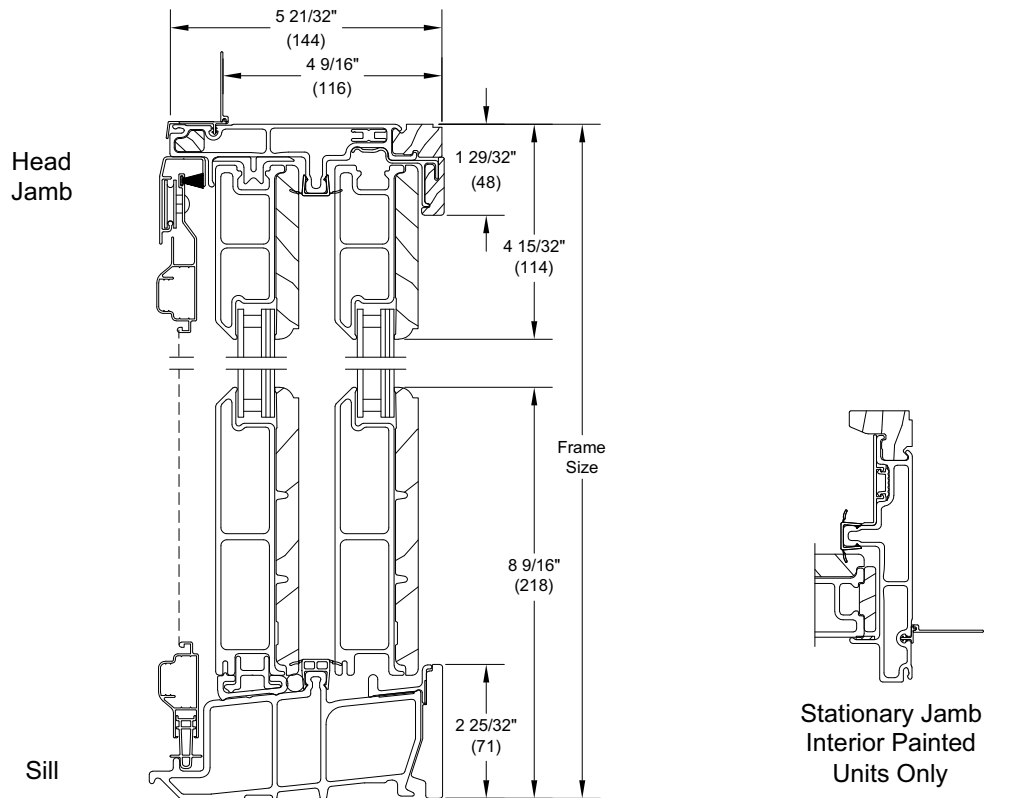
**3-Panel XO0 - Jamb**



**Stationary Jambs  
Interior Painted  
Units Only**

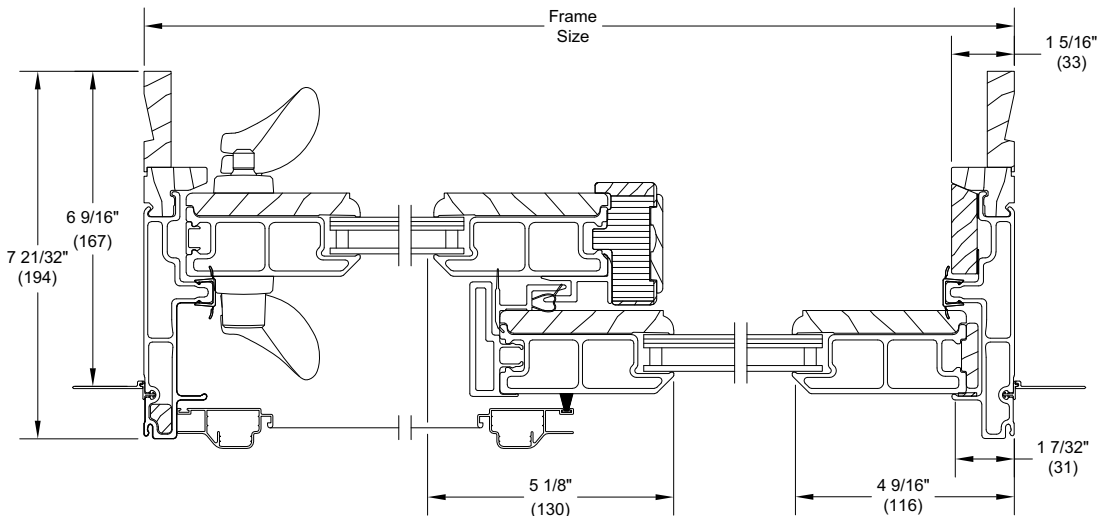
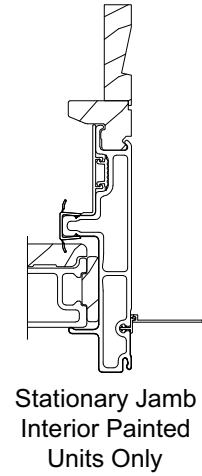
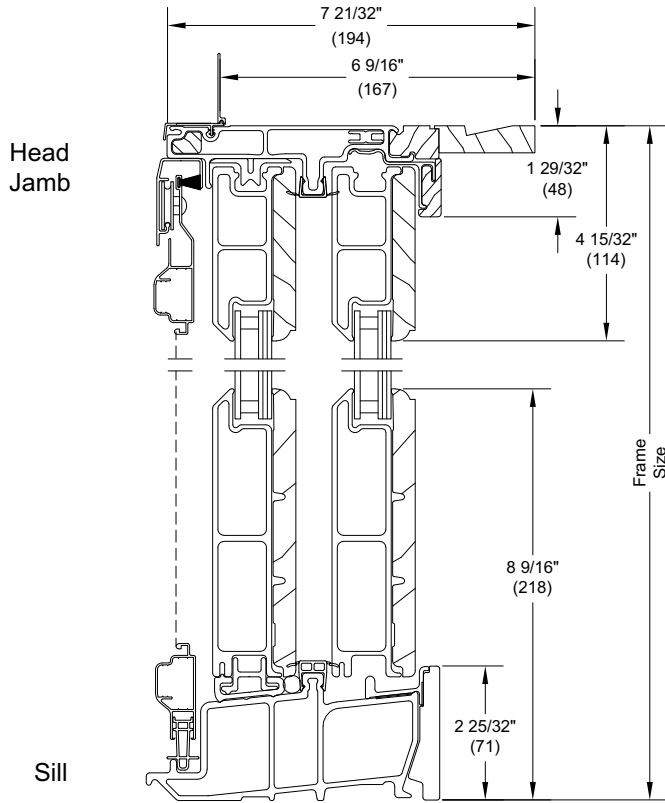
**Section Details: IZ3 - 4 9/16" Jamb (2 panels)**

Scale: 3" = 1' 0"



**Section Details: IZ3 - 6 9/16" Jamb (2 panels)**

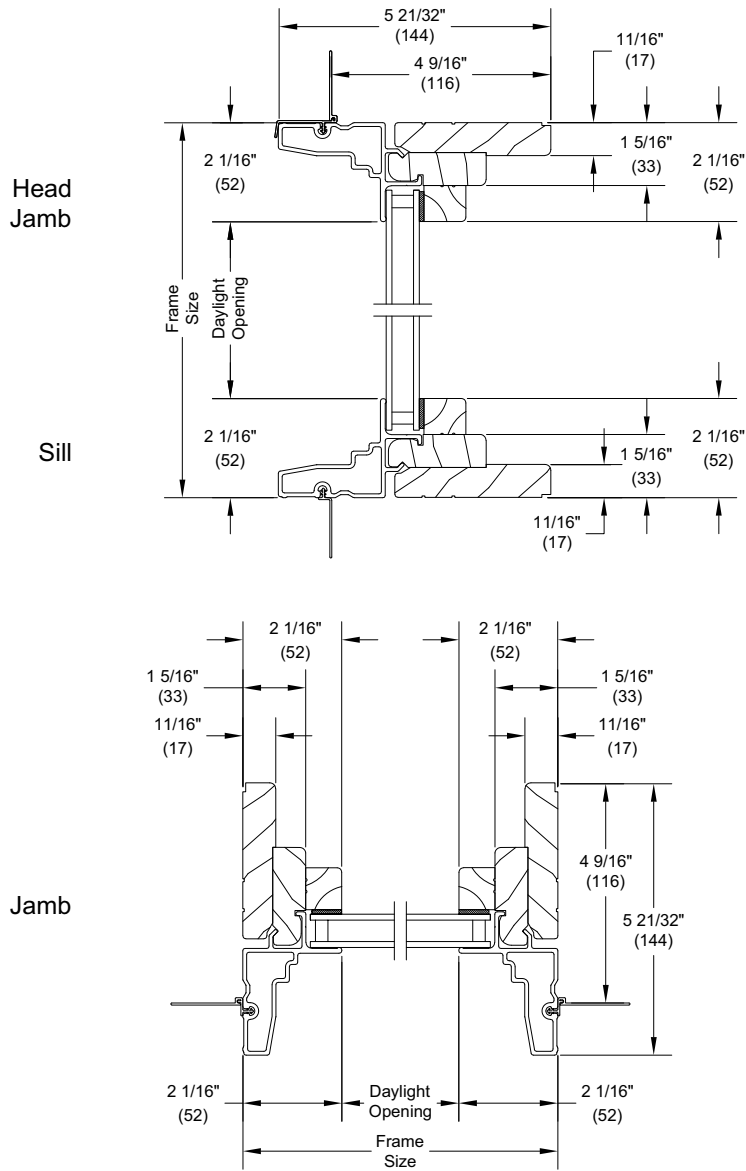
Scale: 3" = 1' 0"



2-Panel XO - Jamb

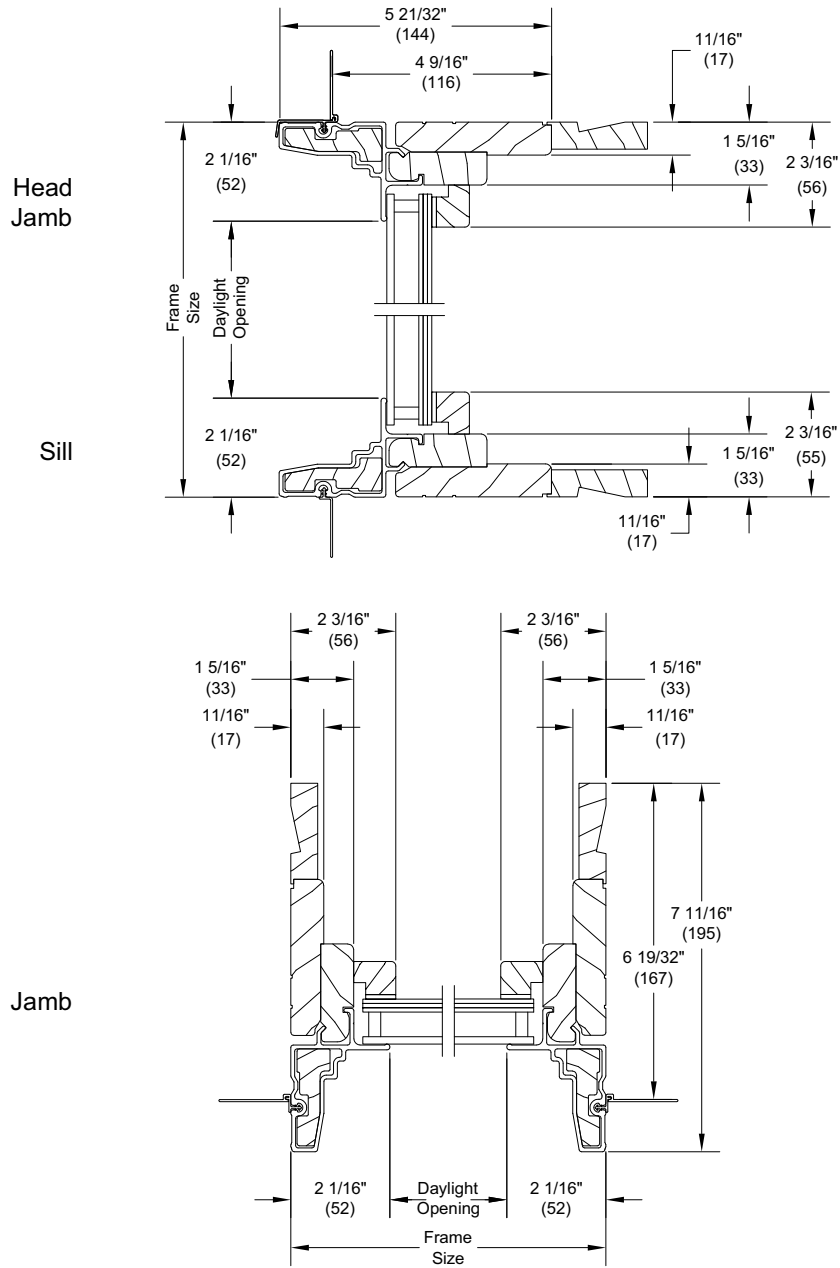
**Section Details: Direct Glaze Rectangle - 4 9/16" Jambs**

Scale: 3" = 1' 0"



**Section Details: Direct Glaze Rectangle - 6 9/16" Jambs**

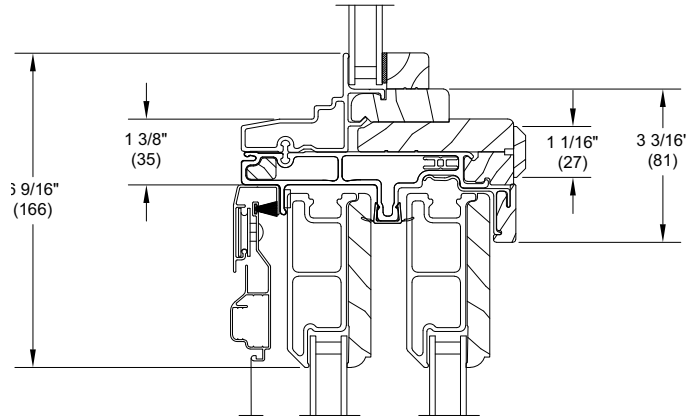
Scale: 3" = 1' 0"



**Section Details: Mullions**

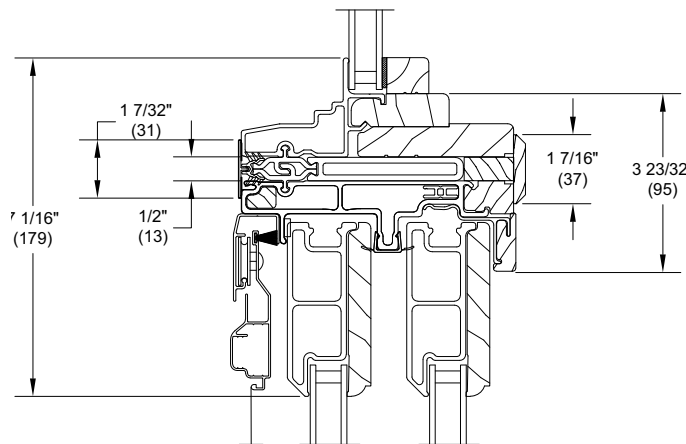
Scale: 3" = 1' 0"

**Standard Mull**



Horizontal Standard Mull  
Direct Glaze Transom Over  
Sliding French Door  
4 9/16" Jamb

**1/2" MRF Mull**

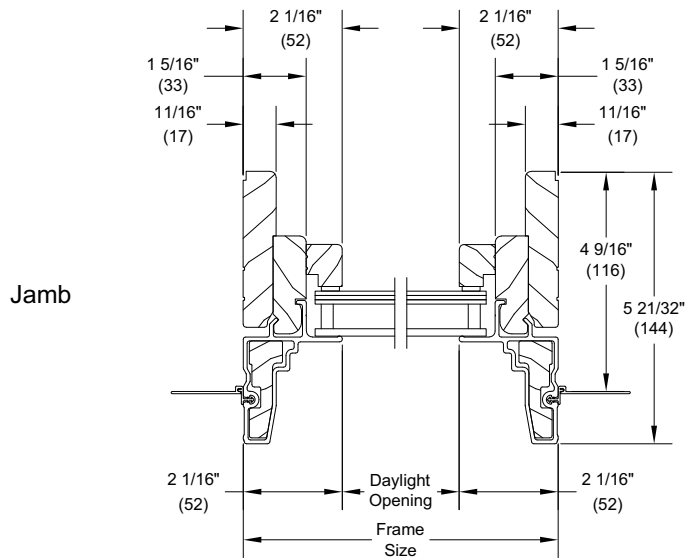
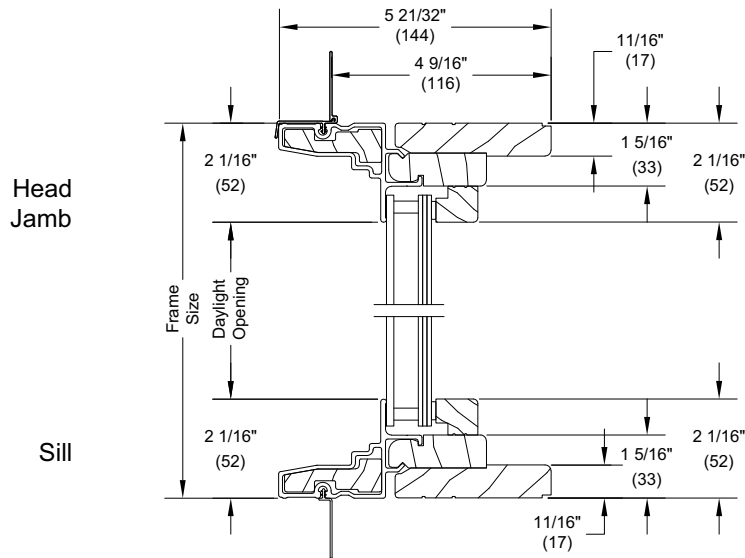


Horizontal 1/2" MRF  
Direct Glaze Transom Over  
Sliding French Door  
4 9/16" Jamb

MRF = Mull Reinforcement

**Section Details: Mullions (IZ3)**

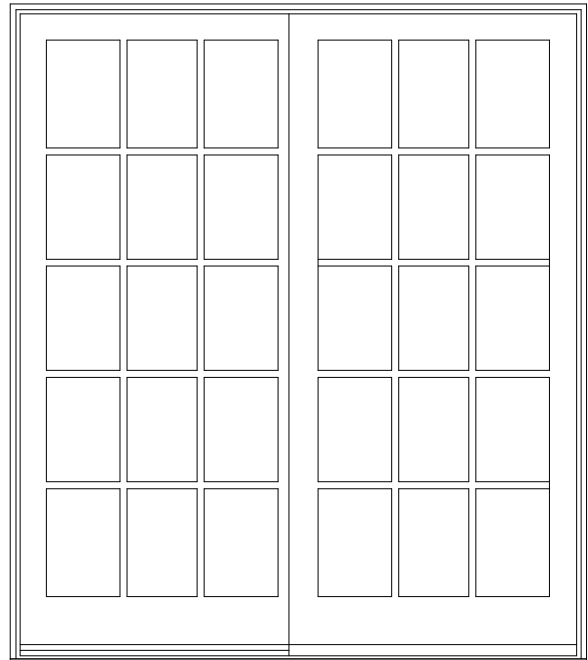
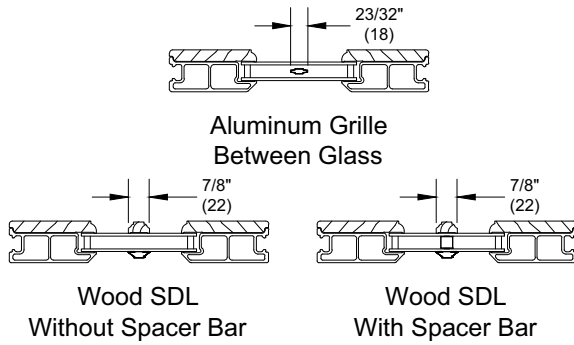
Scale: 3" = 1' 0"



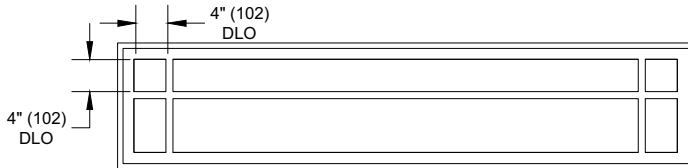


**Section Details: Divided Lite Options**

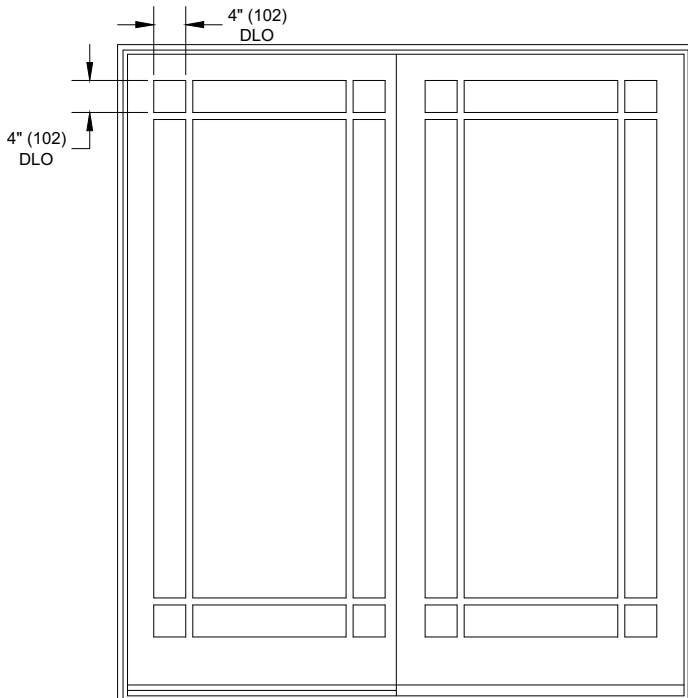
**Divided Lite Options**



Rectangle Cut



Prairie Lite Cut



Cottage Lite Cut

**NOTE:** Optional 9 lite per panel Prairie cut GBG or SDL

GBGs are not available on IZ3 units

6 lite prairie cuts on ELSFD 7216 or ELSFD 10716 due to height limitations. GBGs not available in ELSFD 10716

Cottage Lite Cut: Horizontal bar is placed at 10" (254) daylight opening. Cottage Lite cut available in GBG or SDL.

**Section Details: Divided Lite Patterns**

Default Rectangular Lite Pattern per Panel - GBG, SDL

| CN Height | Standard CN Width |               |               |               |               |                |                |                |                |
|-----------|-------------------|---------------|---------------|---------------|---------------|----------------|----------------|----------------|----------------|
|           | 50<br>2-Panel     | 60<br>2-Panel | 80<br>2-Panel | 76<br>3-Panel | 90<br>3-Panel | 120<br>3-Panel | 100<br>4-Panel | 120<br>4-Panel | 160<br>4-Panel |
| 65        | 3W5H              | 3W5H          | 4W5H          | 3W5H          | 3W5H          | 4W5H           | 3W5H           | 3W5H           | 4W5H           |
| 68        | 3W5H              | 3W5H          | 4W5H          | 3W5H          | 3W5H          | 4W5H           | 3W5H           | 3W5H           | 4W5H           |
| 70        | 3W5H              | 3W5H          | 4W5H          | 3W5H          | 3W5H          | 4W5H           | 3W5H           | 3W5H           | 4W5H           |
| 80        | 3W6H              | 3W6H          | 4W6H          | 3W6H          | 3W6H          | 4W6H           | 3W6H           | 3W6H           | 4W6H           |

Optional Standard Cottage Lite Pattern per Panel - GBG, SDL

| Standard CN Height | Standard CN Width |               |               |               |               |                |                |                |                |
|--------------------|-------------------|---------------|---------------|---------------|---------------|----------------|----------------|----------------|----------------|
|                    | 50<br>2-Panel     | 60<br>2-Panel | 80<br>2-Panel | 76<br>3-Panel | 90<br>3-Panel | 120<br>3-Panel | 100<br>4-Panel | 120<br>4-Panel | 160<br>4-Panel |
| All Heights        | 4-Lite            | 4-Lite        | 5-Lite        | 4-Lite        | 4-Lite        | 5-Lite         | 4-Lite         | 4-Lite         | 5-Lite         |

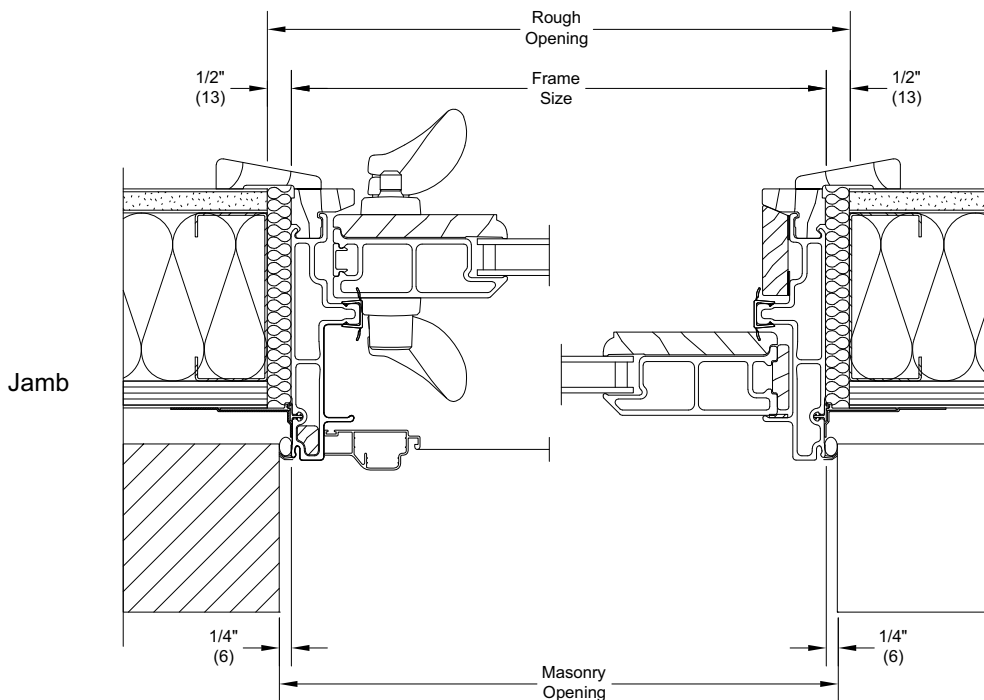
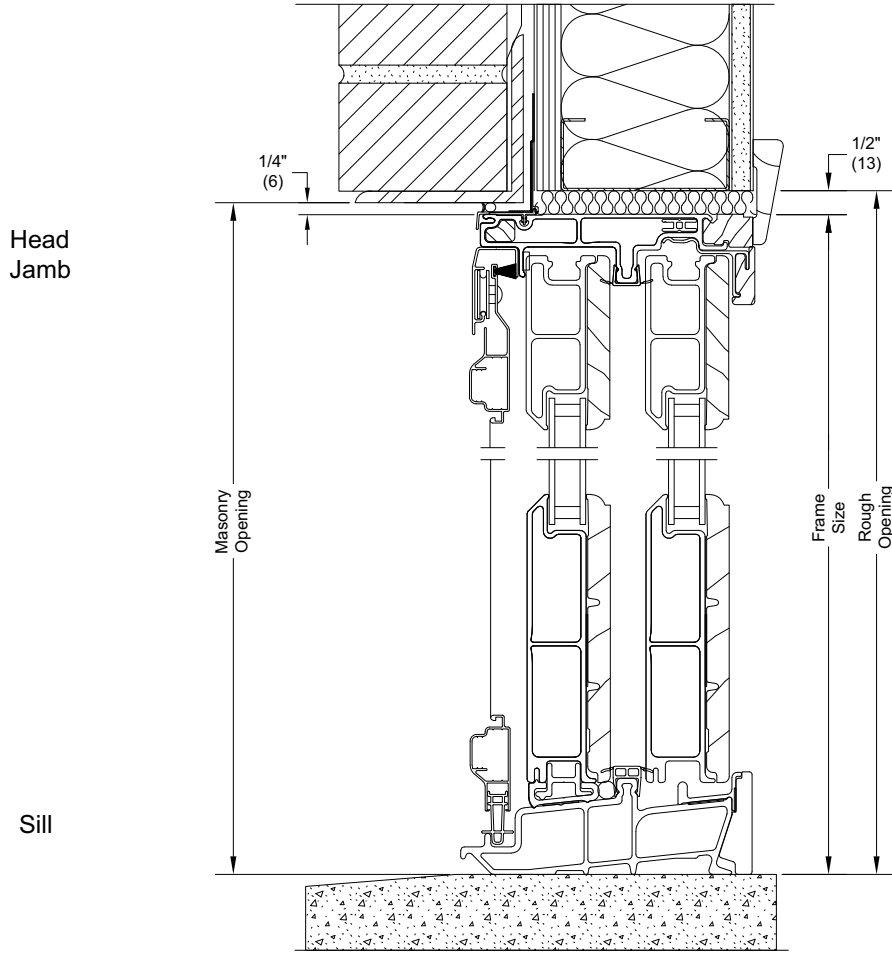
Default Rectangular Lite Pattern per Panel - GBG, SDL

| Standard CN Height | Standard CN Width |      |
|--------------------|-------------------|------|
|                    | 72                | 107  |
| 16                 | 6W1H              | 9W1H |

**NOTES:**

- Due to the inherent qualities of tempered glass, daylight gaps may be seen when using simulated divided lite bars. Daylight gaps could be visible between the internal spacer bar and surface applied bars when viewing from an acute angle to the glass on the following applications:
  - *Tempered glass over 91" high while using 7/8" SDL bars.*
- Rectangle GBGs for special size units will default to the next smaller standard size lite pattern. Also available will be Prairie patterns, Cottage patterns, and customer specified equal rectangular lite pattern.
- Rectangular SDL for special size units will default to the next smaller standard size lite pattern. Also available will be Prairie patterns, Cottage patterns, and customer specified equal rectangular lite pattern.
- Prairie GBG and SDL available in 9 lite and 6 lite top, bottom, left, and right patterns.
- Cottage GBGs and SDL for special size units will default to the next smaller standard size lite pattern. Cottage GBGs and SDL are also available in customer selected lite patterns.
- Minimum DLO measurement for equal lite SDL option is 4" (102) and will be validated by OMS.
- Minimum DLO measurement for equal lite GBG option is 3" (76) and will be validated by OMS.
- Standard DLO measurement for Prairie GBG and SDL option is 4" (102). Special DLO corners are not applicable.
- Standard DLO height measurement for Cottage GBG option is 10" (254). Minimum DLO height is 3" (76) for both one and two high patterns.
- Simulated Rail: Rectangular, Prairie 6 and 9 lite SDL patterns are available with Simulated Rail.
- Simulated Rail: Custom ratio and specified DLO are available with Simulated Rail and will be validated by OMS.
- GBGs are not available on IZ3.
- GBGs are not available with an unsupported bar length >72".

**Installation Suggestions: Brick Veneer with Steel Frame Construction**

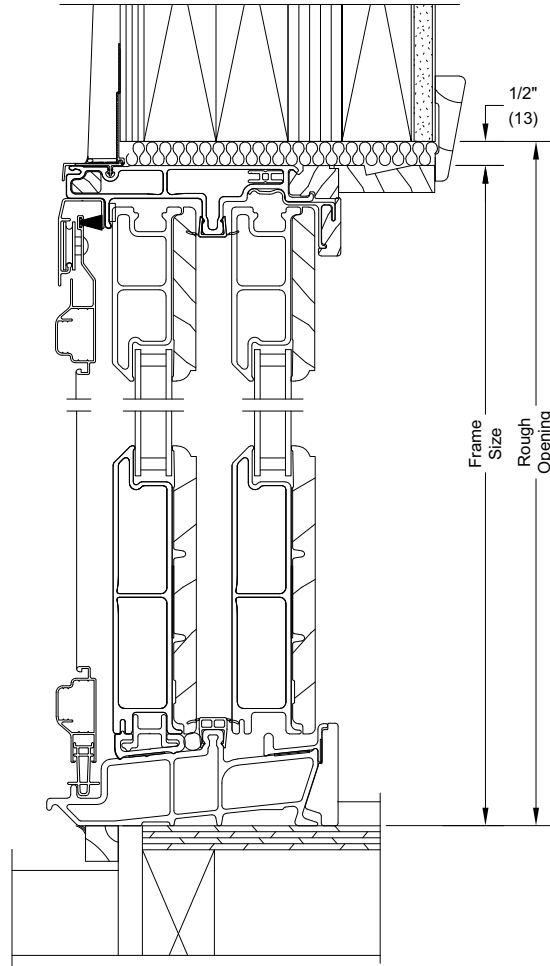


*NOTE: The above wall sections represent typical wall conditions, these detail are not intended as installation instructions. Please refer to the installation instructions provided with the purchased units.*

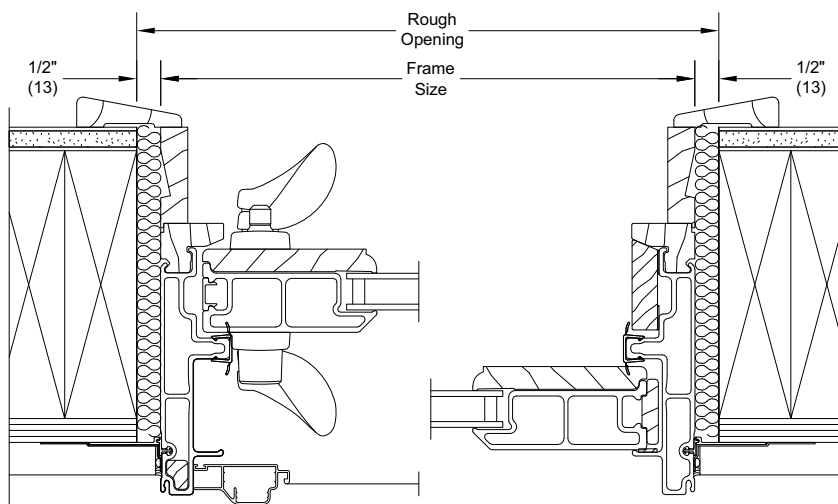
**Installation Suggestions: Wood Siding with 2x6 Frame Construction**

Head  
Jamb

Sill



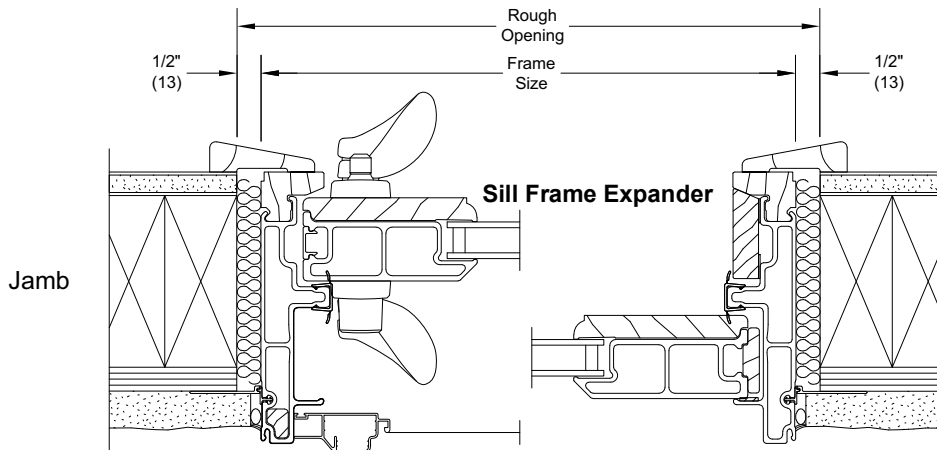
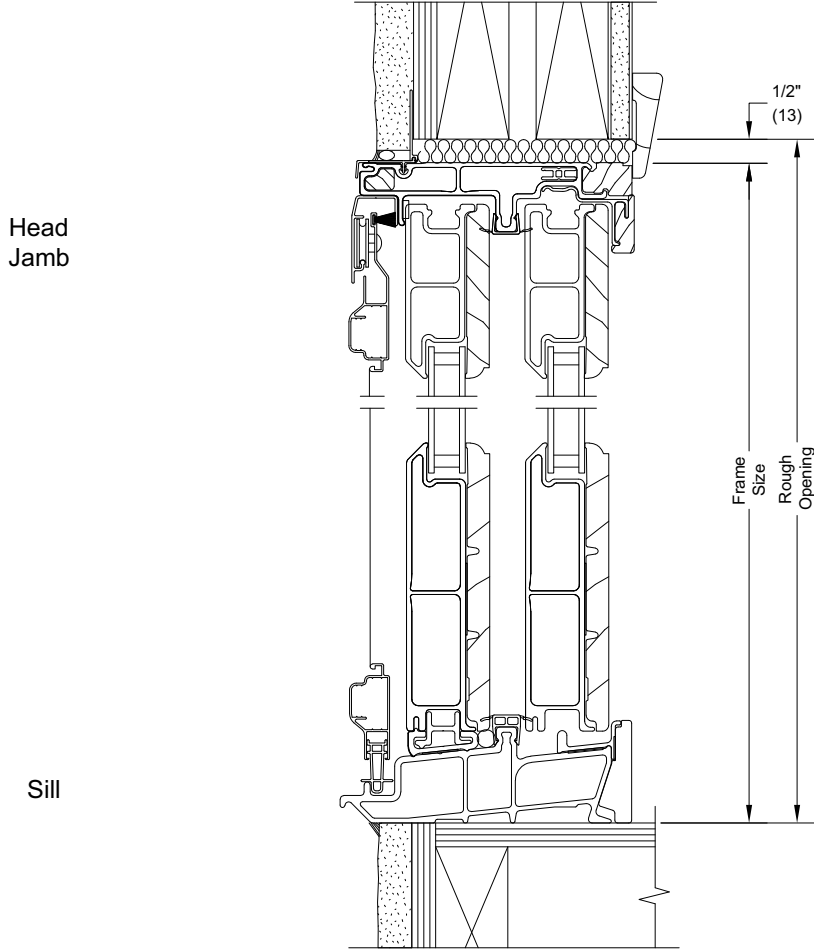
Jamb



*NOTE: The above wall sections represent typical wall conditions, these detail are not intended as installation instructions. Please refer to the installation instructions provided with the purchased units.*

**Installation Suggestions: Stucco with 2x4 Frame Construction**

Scale: 3" = 1' 0"



*NOTE: The above wall sections represent typical wall conditions, these detail are not intended as installation instructions. Please refer to the installation instructions provided with the purchased units.*