



# Ultimate Sliding Door (3" Stiles)

## Replacement Parts

Specifications and technical data are subject to change without notice.

Numbers listed in ( ) parentheses are metric equivalents in millimeters rounded to the nearest whole number.

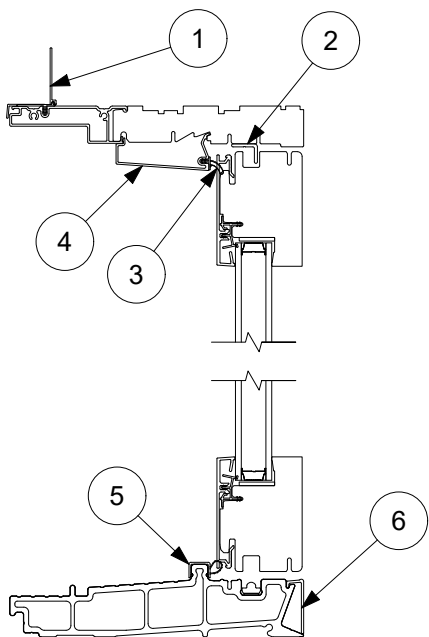
Suggested fasteners are not included and must be ordered separately.

Illustrations are not to scale.

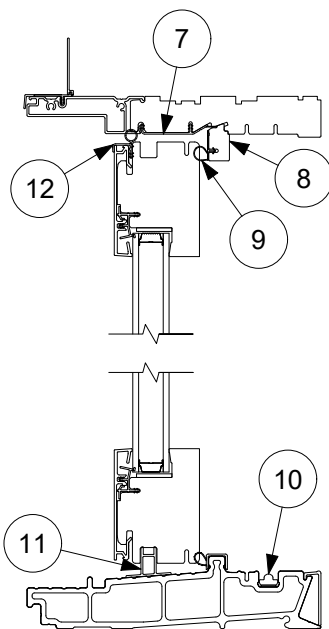
## Contents

Product History.....	2
Part ID - Head Jamb and Sill Details.....	3
Part Identification - 1 and 2 Panel - Jamb Details .....	4
Part Identification - 3 and 4 Panel - Jamb Details .....	5
Part Identification - Transom.....	6
Part Identification - Transom Jamb.....	7
Panel Options.....	8
Harp Handle .....	9
Vertical Handle .....	14
Flush Pull.....	17
Handle Parts .....	18
Miscellaneous Parts .....	21
Miscellaneous Parts - Accessibility Sill .....	30
Lock Status Sensor Parts.....	32
Aluminum Parts .....	33
Vinyl Parts.....	35
Vinyl Parts - Fabricated .....	36
Wood Parts.....	37
Weather Strip .....	38
Sill Replacement - Configured Parts in OMS.....	41
Panel Replacement - Configured Parts in OMS .....	42
Screen Replacement - Configured Parts in OMS .....	43
Service Only Parts.....	44

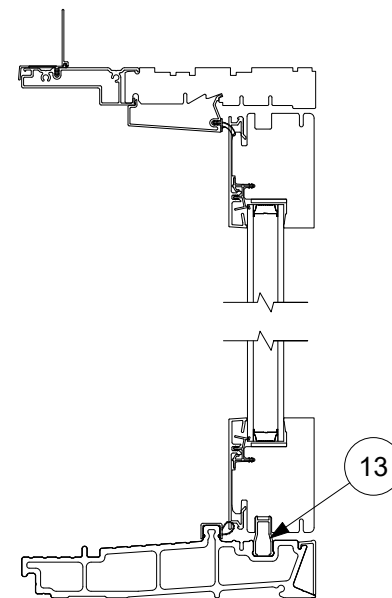
Produced	Unit Type	Features and Changes
2024	Ultimate Sliding Door (3" Stiles)	02/26/2024: Introduced the Ultimate Sliding Door (3" Stile). See Product Bulletin 907 for more information. 04/29/2024: Replacement Sills were made available in Configured Parts in OMS. 10/28/2024: Accessibility Sill became available. See Product Bulletin 938 for more information.



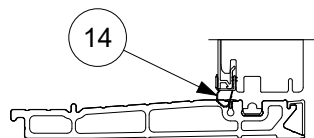
Active/Inactive Panel Head Jamb and Performance Sill Detail



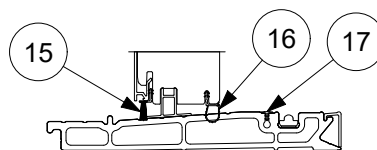
Exterior Stationary Head Jamb and Performance Sill Detail



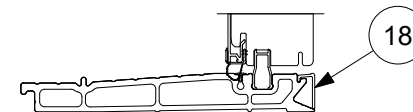
Interior Stationary Head Jamb (OXO) and Performance Sill Detail



Active/Inactive Panel Accessibility Sill Detail



Exterior Stationary Accessibility Sill Detail

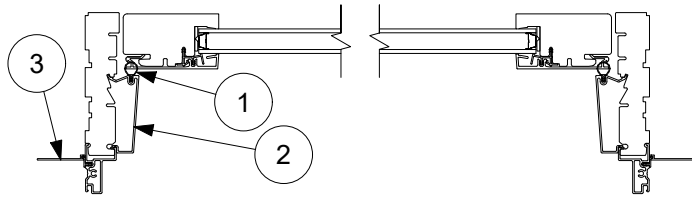


Interior Stationary (OXO) Accessibility Sill Detail

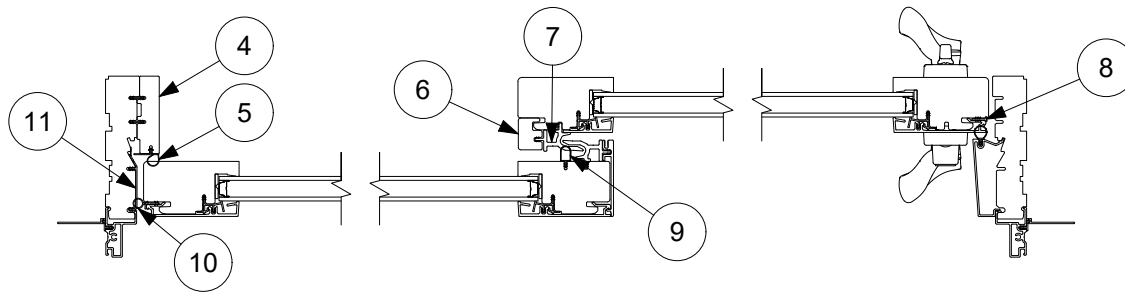
1. Head Jamb Nailing Fin, V119
2. Header Track, A03858
3. Weather Strip, Foam Leaf, V1194
4. Parting Stop, A3637
5. Sill Weather Strip, V03276
6. Sill Liner, A3727

7. External Vinyl Jamb Cover, V3224
8. Header Parting Stop, W13542
9. Header Parting Stop Weather Strip, V3117
10. Roller Track Assembly, V03251
11. Stationary Block, Exterior Sill, A3638
12. Top Rail Weather Strip, V3241

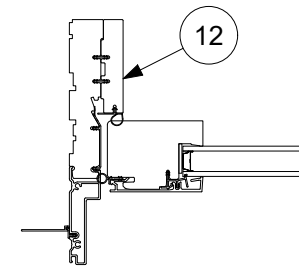
13. Stationary Block, Interior Sill, A3757
14. Weather Strip, Accessibility Sill, V03406
15. Pile Weather Strip, Accessibility Sill, V03381
16. Weather Strip, Accessibility Sill, V03405
17. Kerf Filler, Accessibility Sill, V03427
18. Sill Liner, Accessibility Sill, A03955



O - 4 9/16" Jams - 1 3/4" Panel



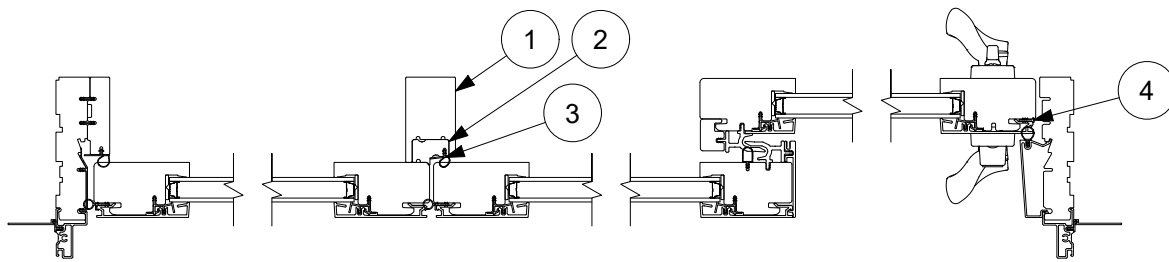
OX - 4 9/16" Jams - 1 3/4" Panel



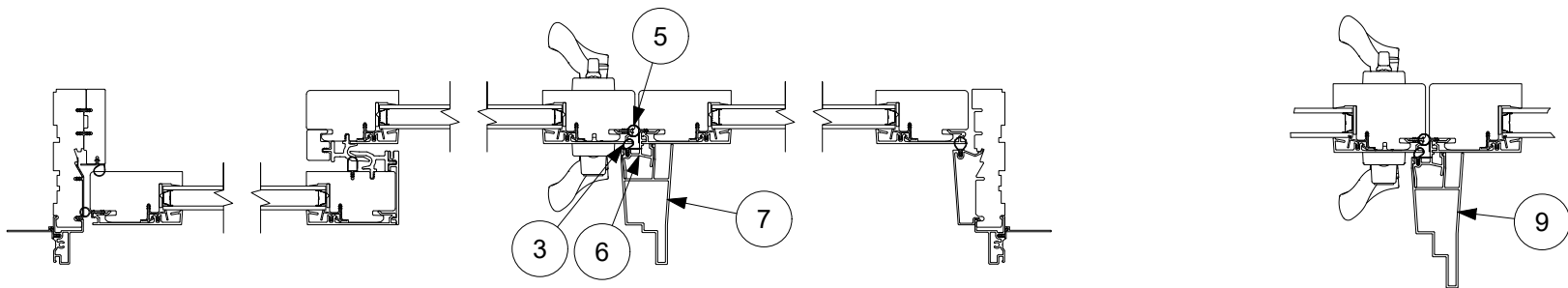
6 9/16" Jams - 2 1/4" Panel

1. Frame Weather Strip, V3200
2. Parting Stop, A3637
3. Jamb Hinged Nailing Fin, V104
4. Parting Stop, 4 9/16, W13541
5. Parting Stop Weather Strip, V3117
6. Interior Meeting Stile Filler, W13393
7. Interlock, V3086

8. Wedge Frame Spacer, V2421
9. Interlock Weather Strip, Stationary Stile, V03419
10. Stile Weather Strip, V3243
11. Exterior Vinyl Frame Cover, V3224
12. Parting Stop, 6 9/16, W13543

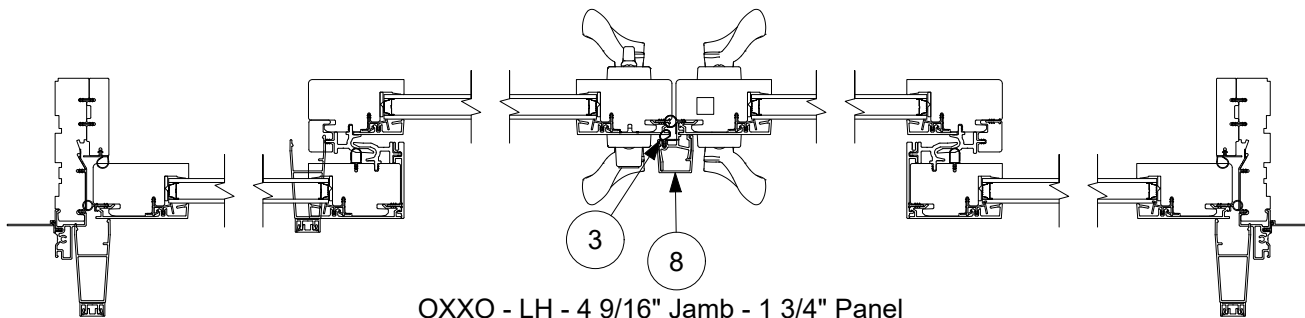


OOX - 4 9/16 Jamb - 1 3/4" Panel



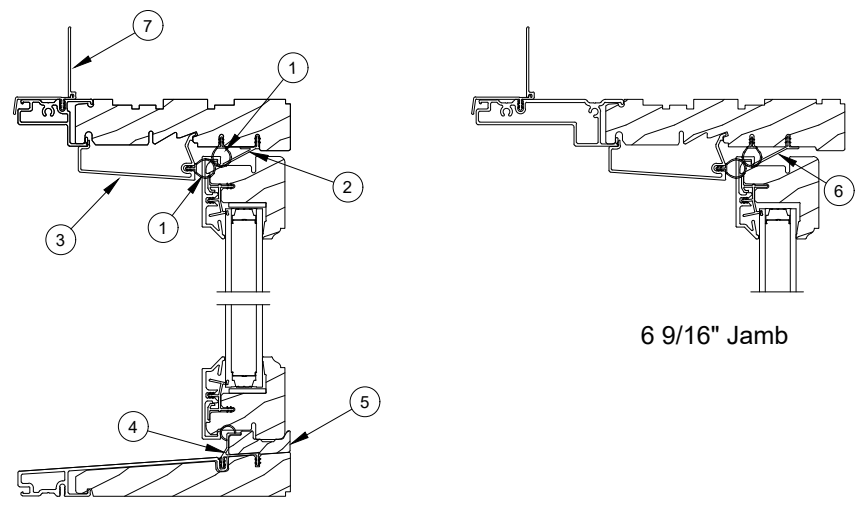
OXO - 4 9/16" Jamb - 1 3/4" Panel

6 9/16" Jamb - 2 1/4" Panel



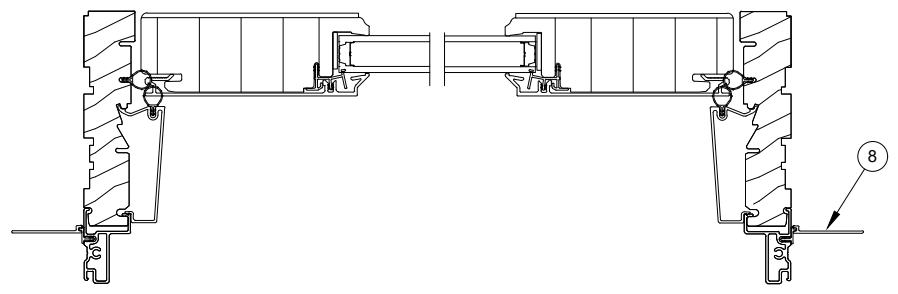
OXXO - LH - 4 9/16" Jamb - 1 3/4" Panel

- |  |                               |
|--|-------------------------------|
| 1. Mull Cover, OOX/XOO, W13985             | 6. Mull Base, A3633           |
| 2. Astragal Base, W13639                   | 7. Screen Stop, 4 9/16, A3644 |
| 3. Astragal/Mull Base Weather Strip, V3208 | 8. Astragal Cover, A3634      |
| 4. Wedge Frame Spacer, V2421               | 9. Screen Stop, 6 9/16, A3645 |
| 5. Astragal Panel Weather Strip, V3173     |                               |



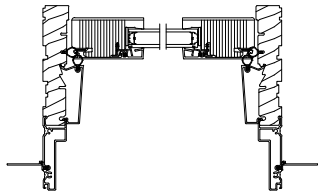
6 9/16" Jamb

Head Jamb and Sill

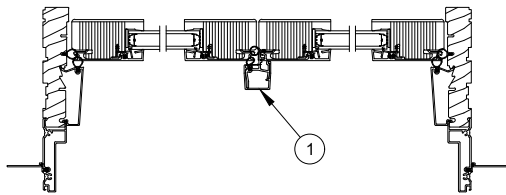


Jamb

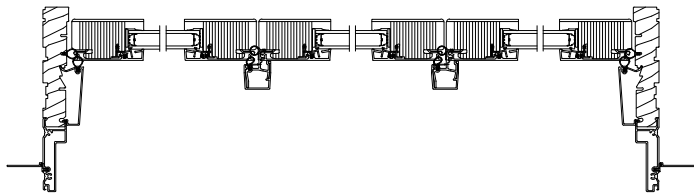
- |   |   |
|---|---|
| 1. Frame/Parting Stop Weather Strip, V3200    | 5. Interior Sill Filler, 1 3/4", W13565 |
| 2. Sash Retainer, 4 9/16" Jamb, V3122         | 6. Sash Retainer, 6 9/16" Jamb, V3141   |
| 3. Jamb/Head Jamb Parting Stop, A3637         | 7. Head Jamb Nailing Fin, V119          |
| 4. Sill Weather Strip, Inswing Transom, V3121 | 8. Jamb Nailing Fin, V104               |



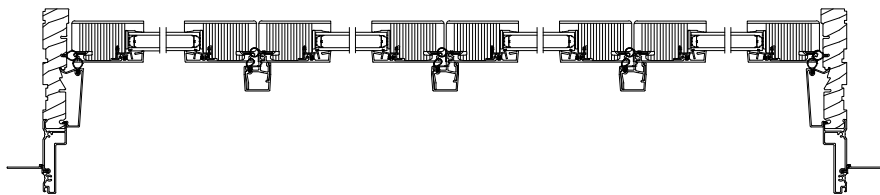
Single Panel Transom Jamb



2 Panel Transom Jamb

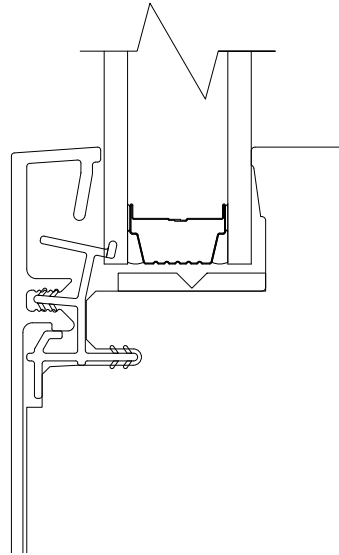


3 Panel Transom Jamb

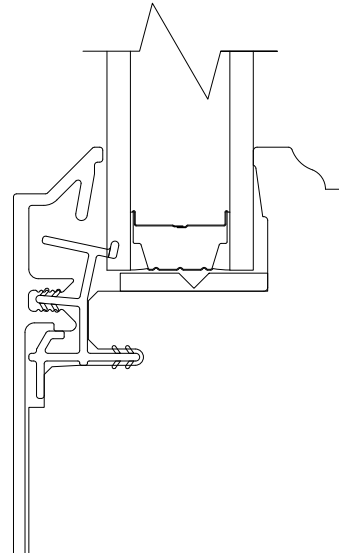


4 Panel Transom Jamb

1. Astragal Cover, A3634



**Standard**  
Square Interior  
Square Exterior



**Option**  
Ogee Interior  
Putty Exterior



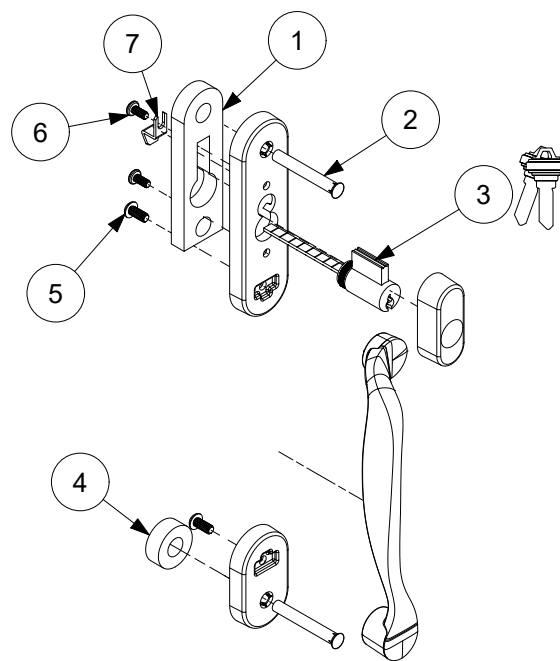
# Harp Handle, Exterior, Keyed

## Includes:

- (1) Top foam gasket, harp handle
- Top escutcheon
- (2) Binding posts, qty 2
- (3) Keyed Cylinder, includes 2 keys
- Handle
- Bottom Escutcheon
- (4) Bottom foam gasket, harp handle
- (5) Hex head screws, qty 2
- (6) Button head screws, qty 2
- (7) Key clip, Harp
- Hex wrench

Door Configuration for PN Usage	LH PN	RH PN
	OX, OOX OXO L OXXO L	XO, XOO OXO R OXXO R

Color	LH PN	RH PN
Oil Rubbed Bronze	11871690	11871689
Antique Brass	11871692	11871691
Polished Chrome	11871694	11871693
Satin Chrome	11871696	11871695
Brass PVD	11871698	11871697
Satin Nickel PVD	11871700	11871699
Oil Rubbed Bronze PVD	11871702	11871701
Satin Taupe	11871704	11871703
Dark Bronze	11871706	11871705
White	11871708	11871707
Matte Black	11871710	11871709



LH shown

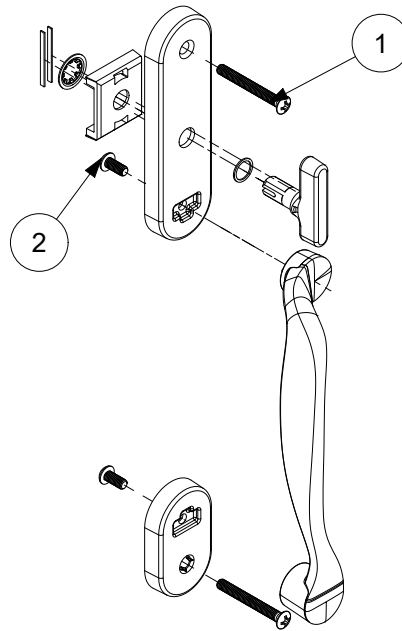
# Harp Handle, Interior, Keyed

## Includes:

- (1) Phillips oval head screws, qty 2
- Handle
- Top escutcheon with thumb turn assembly
- Bottom escutcheon
- (2) Hex head screws, qty 2
- Hex wrench
- Installation instruction

Door Configuration for PN Usage	LH PN	RH PN
	XO, XO R OXO R OXXO R	OX, OOX OXO L OXXO L

Color	LH PN	RH PN
Oil Rubbed Bronze	11871646	11871645
Antique Brass	11871648	11871647
Polished Chrome	11871650	11871649
Satin Chrome	11871652	11871651
Brass PVD	11871654	11871653
Satin Nickel PVD	11871656	11871655
Oil Rubbed Bronze PVD	11871658	11871657
Satin Taupe	11871660	11871659
Dark Bronze	11871662	11871661
White	11871664	11871663
Matte Black	11871666	11871665



LH shown

# Harp Handle, Exterior, Non-Keyed/Dummy

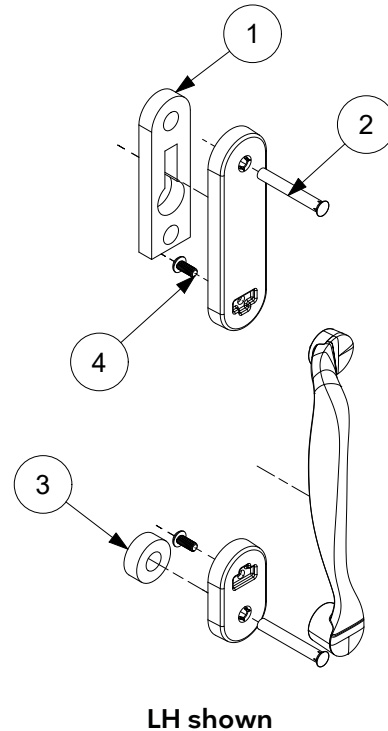
## Includes:

- (1) Top foam gasket, harp handle
- Top escutcheon
- (2) Binding Post, qty 2
- Handle
- Bottom escutcheon
- (3) Bottom foam gasket, harp handle
- (4) Hex head screws, qty 2
- Hex wrench

Door Configurations	
OX, OOX OXO L LH configurations use LH PN	XO, XO0 OXO R RH configurations use RH PN

Door Configurations (Panel type determines PN usage)	
OXXO L	OXXO R
Active panels use LH PN	Active panels use RH PN
Inactive panels use RH PN	Inactive panels use LH PN

Color	LH PN	RH PN
Oil Rubbed Bronze	11871668	11871667
Antique Brass	11871670	11871669
Polished Chrome	11871672	11871671
Satin Chrome	11871674	11871673
Brass PVD	11871676	11871675
Satin Nickel PVD	11871678	11871677
Oil Rubbed Bronze PVD	11871680	11871679
Satin Taupe	11871682	11871681
Dark Bronze	11871684	11871683
White	11871686	11871685
Matte Black	11871688	11871687



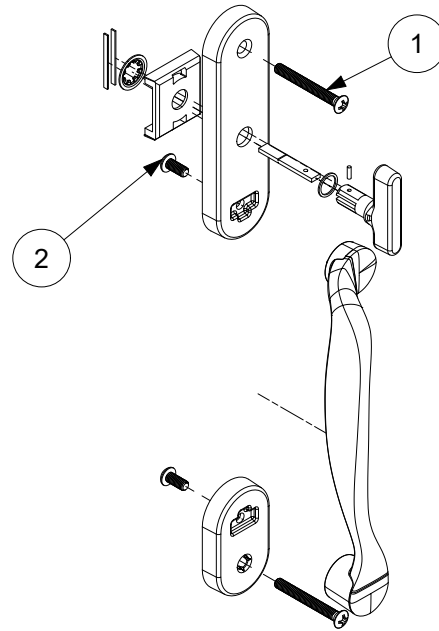
# Harp Handle, Interior, Non-Keyed

## Includes:

- Top escutcheon with thumb turn assembly
- Handle
- Bottom escutcheon
- (1) Phillips oval head screws, qty 2
- (2) Hex head screws, qty 2
- Hex wrench
- Installation instruction

Door Configuration for PN Usage	LH PN	RH PN
	XO, XOO OXO R OXXO R	OX, OOX OXO L OXXO L

Color	LH PN	RH PN
Oil Rubbed Bronze	11871602	11871601
Antique Brass	11871604	11871603
Polished Chrome	11871606	11871605
Satin Chrome	11871608	11871607
Brass PVD	11871610	11871609
Satin Nickel PVD	11871612	11871611
Oil Rubbed Bronze PVD	11871614	11871613
Satin Taupe	11871616	11871615
Dark Bronze	11871618	11871617
White	11871620	11871619
Matte Black	11871622	11871621



LH shown

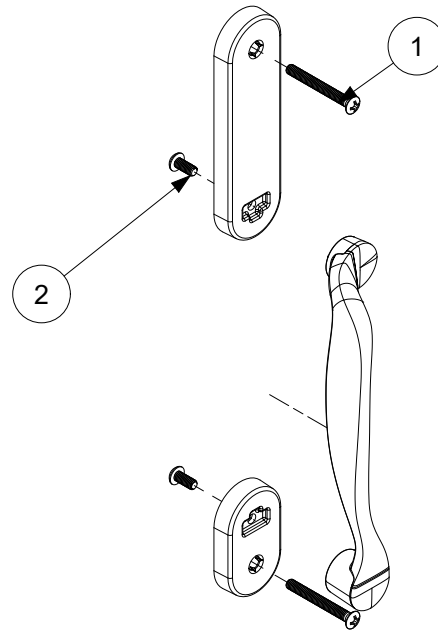
# Harp Handle, Interior, Dummy

## Includes:

- Top escutcheon
- (1) Phillips oval head screw, qty 2
- Handle
- Bottom escutcheon
- (2) Hex head screws, qty 2
- Hex wrench
- Installation instruction

Door Configuration for PN Usage	LH PN	RH PN
	OXXO L	OXXO R

Color	LH PN	RH PN
Oil Rubbed Bronze	11871624	11871623
Antique Brass	11871626	11871625
Polished Chrome	11871628	11871627
Satin Chrome	11871630	11871629
Brass PVD	11871632	11871631
Satin Nickel PVD	11871634	11871633
Oil Rubbed Bronze PVD	11871636	11871635
Satin Taupe	11871638	11871637
Dark Bronze	11871640	11871639
White	11871642	11871641
Matte Black	11871644	11871643



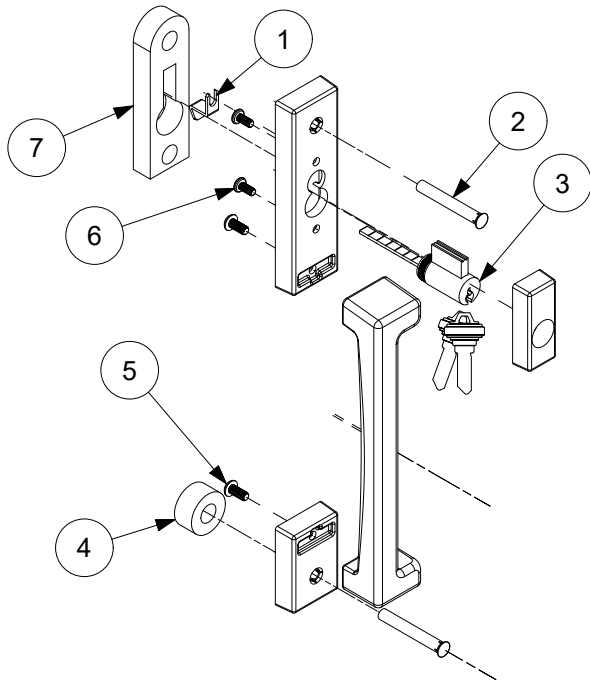
LH shown

## Vertical Handle, Exterior, Keyed

### Includes:

- (1) Key clip, vertical handle
- Top escutcheon
- (2) Binding posts, qty 2
- (3) keyed cylinder, includes 2 keys
- Handle
- Bottom escutcheon
- (4) Bottom foam gasket, vertical handle
- (5) Button head screws, qty 2
- (6) Hex head screws, qty 2
- (7) Top foam gasket
- 1 - Hex wrench

Color	PN
Matte Black	11871568
Dark Bronze	11871569
Oil Rubbed Bronze PVD	11871570
Satin Nickel PVD	11871571

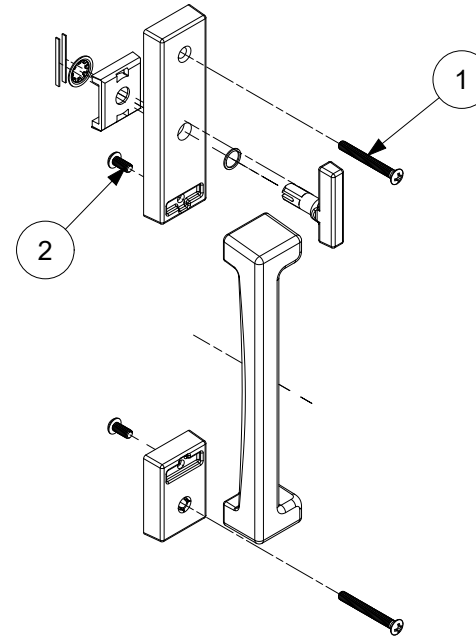


## Vertical Handle, Interior, Keyed

### Includes:

- Top escutcheon with thumb turn assembly
- (1) Phillips oval head screws, qty 2
- Handle
- Bottom escutcheon
- (2) Hex head screws, qty 2
- Hex wrench
- Installation instruction

Color	PN
Matte Black	11871572
Dark Bronze	11871573
Oil Rubbed Bronze PVD	11871574
Satin Nickel PVD	11871575

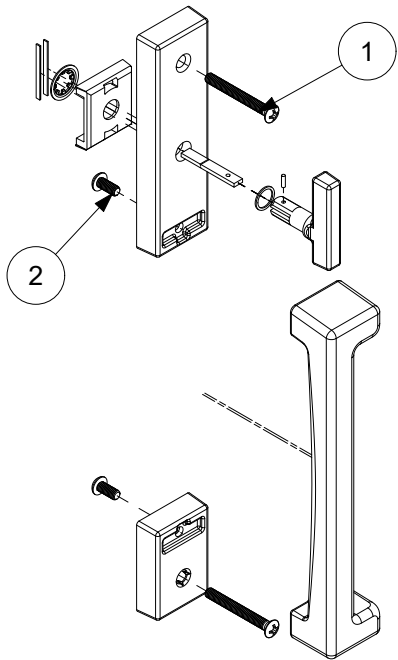


## Vertical Handle, Interior, Non-Keyed

### Includes:

- Top escutcheon with thumb turn assembly
- (1) Phillips oval head screws, qty 2
- Handle
- Bottom escutcheon
- (2) Hex head screws, qty 2
- Hex wrench
- Installation instruction

Color	PN
Matte Black	11871560
Dark Bronze	11871561
Oil Rubbed Bronze PVD	11871562
Satin Nickel PVD	11871563

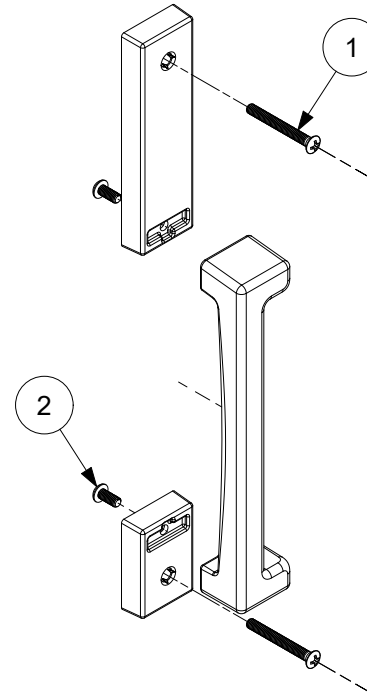


## Vertical Handle, Interior, Dummy

### Includes:

- Top escutcheon
- (1) Phillips oval head screws, qty 2
- Handle
- Bottom escutcheon
- (2) Hex head screws, qty 2
- Hex wrench
- Installation instruction

Color	PN
Matte Black	11871576
Dark Bronze	11871577
Oil Rubbed Bronze PVD	11871578
Satin Nickel PVD	11871579

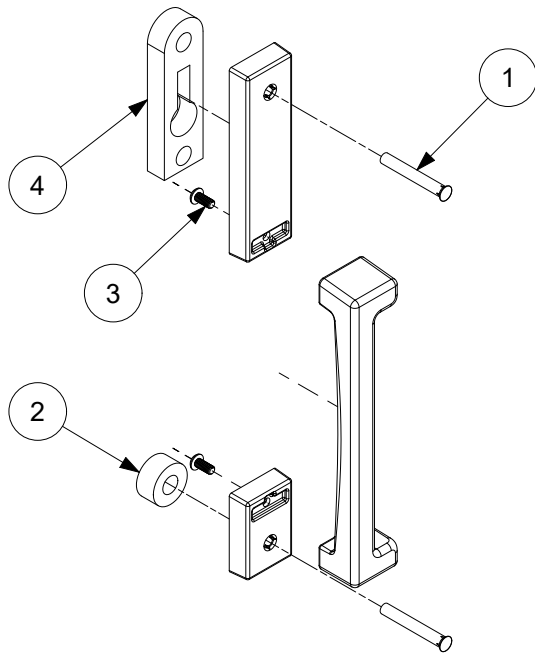


## Vertical Handle, Exterior, Non-Keyed/Dummy

### Includes:

- Top escutcheon
- (1) Binding posts, qty 2
- Handle
- Bottom escutcheon
- (2) Bottom foam gasket, vertical handle
- (3) Hex head screws, qty 2
- (4) Top foam gasket, vertical handle
- Hex wrench

Color	PN
Matte Black	11871564
Dark Bronze	11871565
Oil Rubbed Bronze PVD	11871566
Satin Nickel PVD	11871567





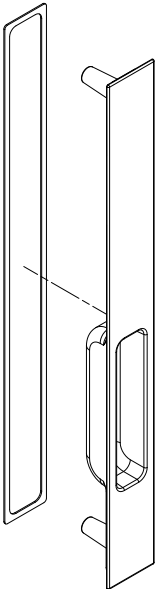
# Flush Pull, Exterior

## Includes:

- 1 - Handle
- 1 - Gasket

NOTE: Use with Interior Harp or Vertical Handle

Color	PN
Matte Black	11871580
Dark Bronze	11871581
Oil Rubbed Bronze PVD	11871582
Satin Nickel PVD	11871583



## Keyed Cylinder

(Schalge "C" keyway)

For service replacement only.

### Includes:

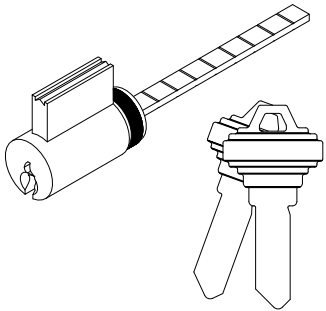
2 - Keys

NOTE: For Keyed Alike orders, use program C87P2

Polished Chrome, White, Satin Nickel PVD, Matte Black use Chrome Face

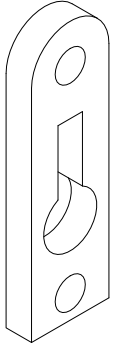
Satin Taupe, Antique Brass, Satin Chrome, Oil Rubbed Bronze, Oil Rubbed Bronze PVD, Brass PVD, Dark Bronze use Brass Face

Color	PN
Brass Face	10148223
Chrome Face	10833000



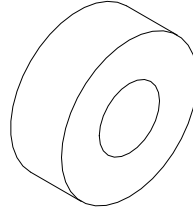
### Top Foam Gasket, Harp Handle

PN
11869990



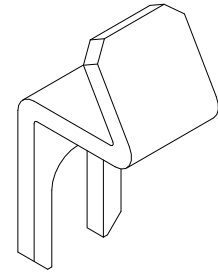
### Bottom Foam Gasket, Harp Handle

PN
11869991



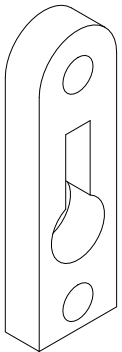
### Key Clip, Harp Handle

PN
11871586



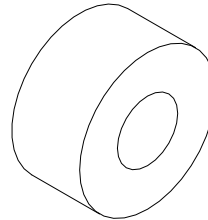
### Top Foam Gasket, Vertical Handle

PN
11869992



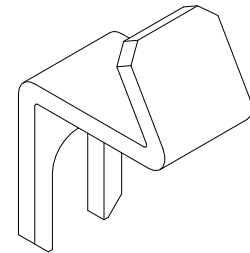
### Bottom Foam Gasket, Vertical Handle

PN
11869993



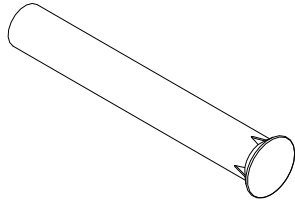
### Key Clip, Vertical Handle

PN
11871587



## Binding Post

Color	PN
Oil Rubbed Bronze	10830523
Antique Brass	10830524
Polished Chrome	10830525
Satin Chrome	10830526
Brass PVD	10830527
Satin Nickel PVD	10830528
Oil Rubbed Bronze PVD	10830529
Satin Taupe	10830530
Dark Bronze	10830531
White	10830532
Matte Black	10830533



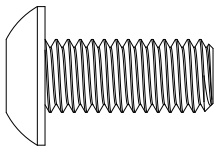
## #10-32 x 1 3/4" Oval Head Screw

Color	PN
Oil Rubbed Bronze	11800582
Antique Brass	11800583
Polished Chrome	11800584
Satin Chrome	11800585
Brass PVD	11800586
Satin Nickel PVD	11800587
Oil Rubbed Bronze PVD	11800588
Satin Taupe	11800589
Dark Bronze	11800590
White	11800591
Matte Black	11800592



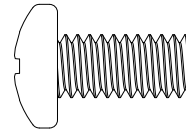
## #10-32 x 7/16" Hex Head Screw

PN
11800708



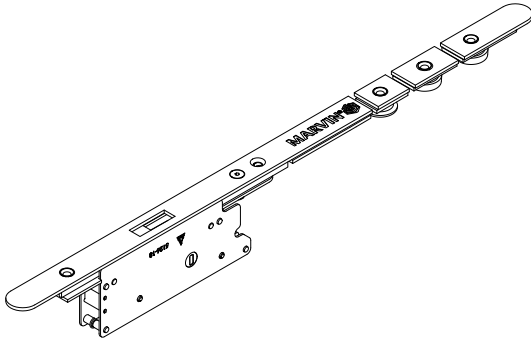
## #8-32 x 1 1/32" Phillips Button Head Screw

PN
10501993



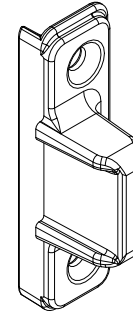
## Lock Box, 2pt, Narrow Stile

<b>PN</b>	<b>Suggested Fasteners</b>
11841955	5 - #8-18 x 1 1/4" Phillips flat head screw, Type A/B
<b>PN</b>	11808118



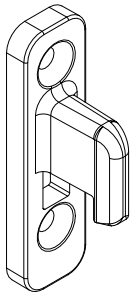
## Frame Alignment Bolt

<b>PN</b>	
10501932	
<b>Suggested Fasteners</b>	
2 - #8-15 x 3" Type A/TF, 2/3 thread screw	
<b>PN</b>	11800918



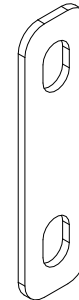
## Keeper

<b>PN</b>	
10501934	
<b>Suggested Fasteners</b>	
2 - #8-15 x 3" Type A/TF, 2/3 thread screw	
<b>PN</b>	11800918



## Keeper Shim

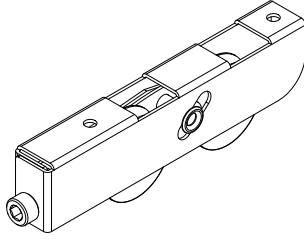
<b>PN</b>	
10501937	



## Adjustable Roller

<b>PN</b>
10501990

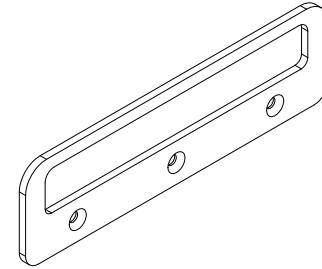
<b>Suggested Fasteners</b>	
5 - #8-18 x 1" Phillips pan head screw, Type A	
<b>PN</b>	11805185



## Roller Reinforcement Plate

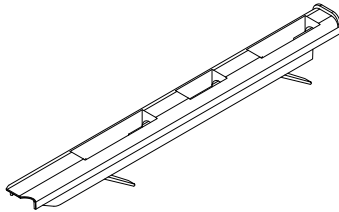
<b>PN</b>
10820005

<b>Suggested Fasteners</b>	
3 - #8-18 x 1 1/4" Type AB 2/3 thread screw	
<b>PN</b>	11808118



## Roller Adjustment Guide

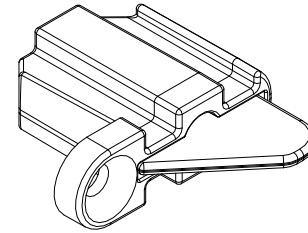
<b>PN</b>
11871600



## Meeting Stile Guide Assembly

<b>PN</b>
11863269

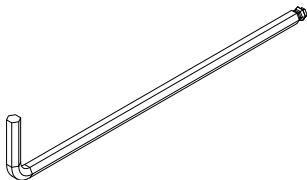
<b>Suggested Fasteners</b>	
1 - #8-18 x 5/8" Type A/AB, full thread screw	
<b>PN</b>	11806154



## Hex Key/Allen Wrench 6 1/2"

NOTE: Used with the Roller Adjustment Guide

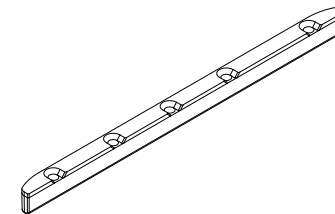
<b>PN</b>
10501939



## Top Rail Guide Block

<b>PN</b>
11869673

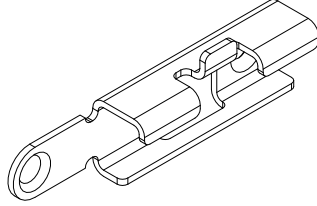
<b>Suggested Fasteners</b>	
5 - #7-16 x 2" Type A/TF, 2/3 thread screw	
<b>PN</b>	11800731



## Sliding Stile End Plate, OXXO, 3"

LH PN	RH PN
02101714	02101713

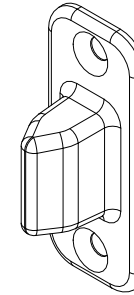
Suggested Fasteners	
1 - #8-18 x 1 1/4" Phillips flat head screw, Type A/B	
PN	11808118



## Panel Alignment Bolt

Color	PN
Black	11102456

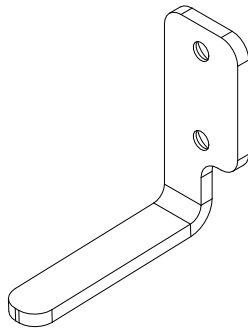
Suggested Fasteners	
2 - #8-18 x 1 1/2", Type A/AB, full thread screw	
PN	11865178



## Panel to Sill Bracket

LH PN	RH PN
11841025	11841024

Suggested Fasteners	
5 - #8-18 x 1/2" Torx, full thread, pan head screw	
Color	PN
Ebony	11800224

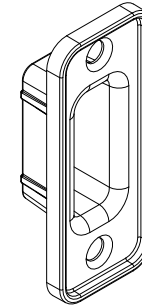


LH shown

## Panel Alignment Receiver

Color	PN
Black	11869887

Suggested Fasteners	
2 - #8 x 1 1/2" Type A/AB full thread screw	
Color	PN
Matte Black	11865178

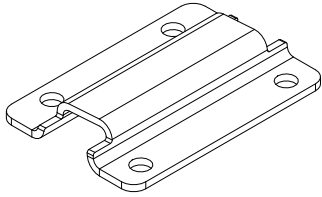


## Sill Bracket, Stationary

Used on 1 3/4" panels

PN
11841023

Suggested Fasteners	
2 - #8-15 x 3" Type A/TF, Phillips, 2/3 thread screw	
Color	PN
Stainless Steel	11800903

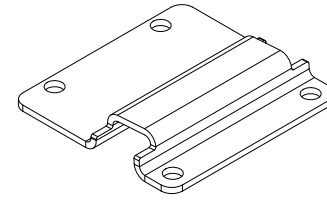


## Sill Bracket, Stationary

Used on 2 1/4" panels

PN
11841022

Suggested Fasteners	
2 - #8-15 x 3" Type A/TF, Phillips, 2/3 thread screw	
Color	PN
Stainless Steel	11800903

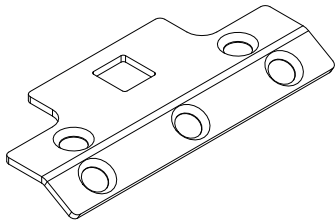


## Header Bracket, Stationary

Used on 1 3/4" panels

PN
11841129

Suggested Fasteners	
3 - #10-16 x 7/8" full thread undercut screw	
Color	PN
Stainless Steel	11800284

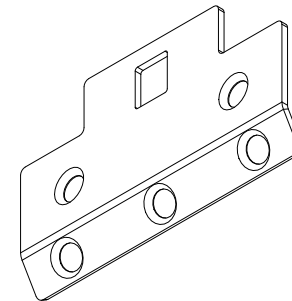


## Header Bracket, Stationary

Used on 2 1/4" panels

PN
11841128

Suggested Fasteners	
3 - #10-16 x 7/8" full thread undercut screw	
Color	PN
Stainless Steel	11800284

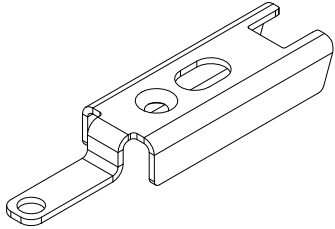




## Stationary Bracket Reinforcement

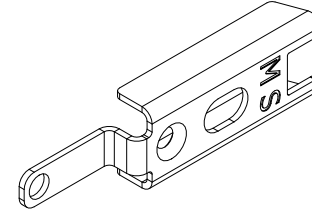
Non-Meeting Stile

PN
10502070



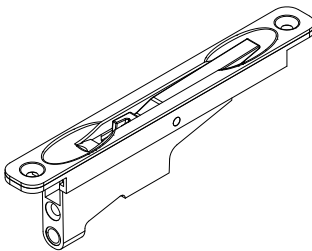
## Stationary Bracket Reinforcement, 3" Meeting Stile

PN
02100413



## Head or Foot Flush Bolt Assembly, Inactive Panel

Color	PN
Black	11101780

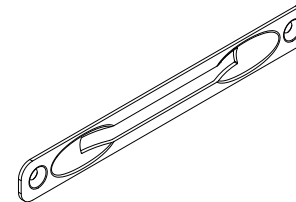


## Cover Plate for Flush Bolt

### Includes:

- 1 - Cover plate
- 2 - #8 x 1" screws

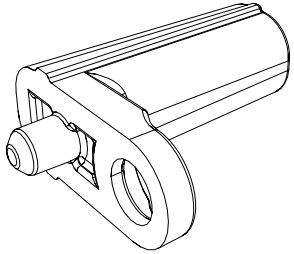
PN
11860402



## Flush Bolt Adapter

Color	PN
Black	10840269

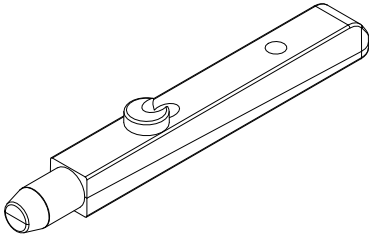
Suggested Fasteners	
1 - #8-15 x 3" Type A/TF, Phillips, 2/3 thread screw	
Color	PN
Matte Black	11800918



## Stationary Bolt, Stile

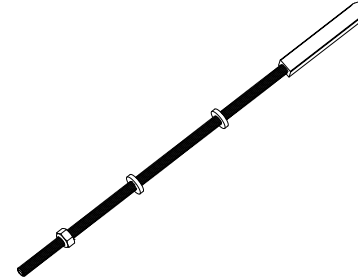
Color	PN
Black	10899024

Suggested Fasteners	
1 - #8-15 x 3" Type A/TF, Phillips, 2/3 thread screw	
Color	PN
Matte Black	11800918



## Shoot Bolt Assembly

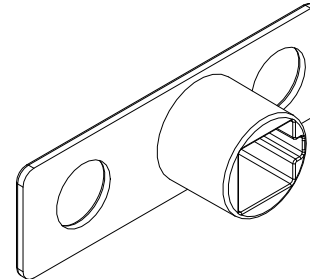
PN
11101740



## Shoot Bolt Guide

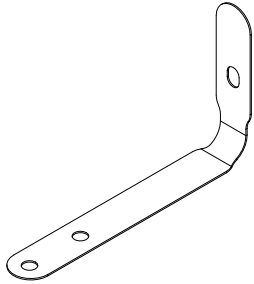
PN
11869674

Suggested Fasteners	
3 - #10-16 x 7/8" full thread undercut screw	
Color	PN
Stainless Steel	11800284



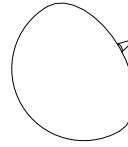
## Stationary Panel Strap, OOX/XOO

Color	PN	Suggested Fasteners	
Black	11844040	1 - #8-15 x 3", Type A/T 2/3 thread screw	
Color	PN		
Stainless Steel	11800903		



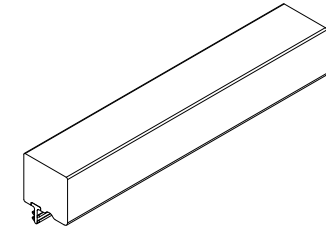
## Thumb Tack Bumper

PN
02101006



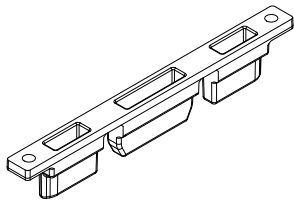
## Sill Bumper

PN
16221109



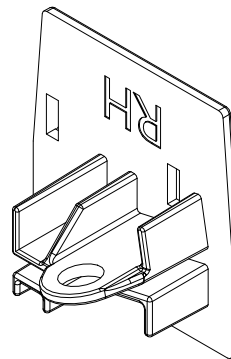
## Sill Reinforcement, OXXO

Color	PN	Suggested Fasteners	
Black	10899025	1 - #8-15 x 3" Type A/TF, Phillips, 2/3 thread screw	
Color	PN		
Matte Black	11800918		



## Astragal End Cap

Color	LH PN	RH PN
Black	11869941	11869940

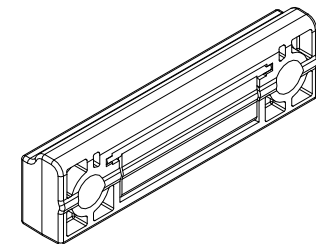


RH shown

## Sill Drain Assembly

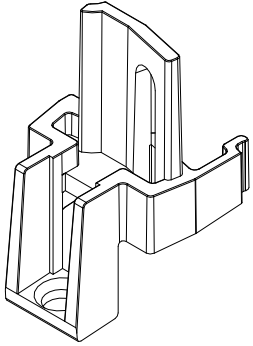
Color	PN
Ebony	10840264

Suggested Fasteners	
2 - #8-18 x 1/2" Torx, full thread, pan head screw	
Color	PN
Ebony	11800224



## Mull Post, Sill Reinforcement

LH PN	RH PN
10899019	10899020



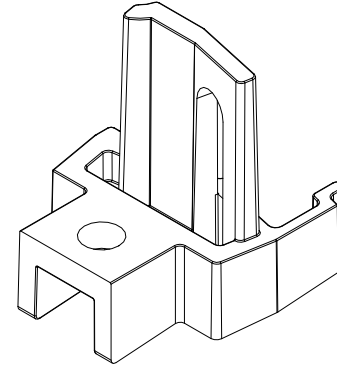
LH shown

Suggested Fasteners	
1 - #8 x 1 1/4" Type A, Phillips pan head screw	
Color	PN
Stainless Steel	11800806

Suggested Fasteners	
1 - #8-16 x 3/8" Type AB, Phillips pan head screw (into sill)	
Color	PN
Stainless Steel	11800222

## Mull Post, Header Reinforcement

LH PN	RH PN
10899021	10899022



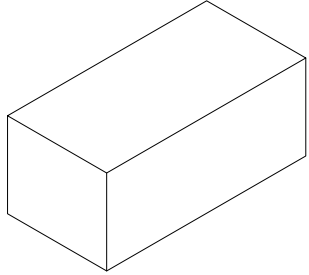
RH shown

Suggested Fasteners	
1 - #8 x 1 1/4" Type A, Phillips pan head screw	
Color	PN
Stainless Steel	11800806

Suggested Fasteners	
1 - #8-18 x 1 7/8" Type AB, Phillips pan head screw (into header)	
Color	PN
Stainless Steel	02058017

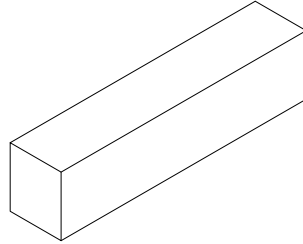
### Pad, Head Jamb Parting Stop

Color	PN
Black	11102149



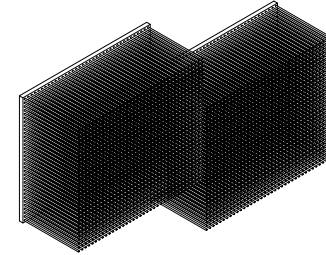
### Lower Jamb Pad

PN
10501024



### Sill Fuzzy

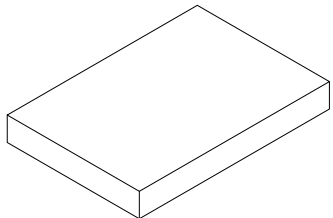
LH PN	RH PN
10501146	10501145



RH shown

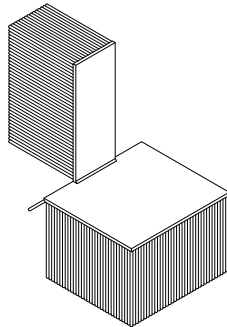
### Gasket, Sill to Jamb Stop

PN
11866265



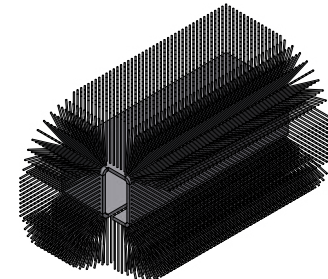
### Dust Block, Astragal End

PN
10500573



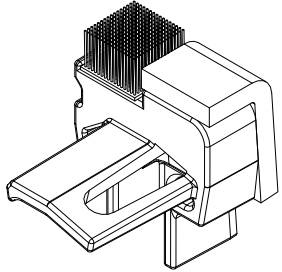
### Parting Stop Fuzzy

PN
10501147



## Mull Post Accessibility, Sill Reinforcement

LH PN	RH PN
11869939	11869938



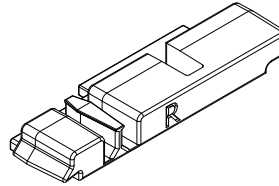
LH shown

Suggested Fasteners	
1 - #8 x 1 1/4" Type A, Phillips pan head screw	
Color	PN
Stainless Steel	11800806

Suggested Fasteners	
1 - #8-16 x 3/8" TRHF, Phillips, flat head screw (into sill)	
Color	PN
Stainless Steel	11800222

## Stile End Plug, 3", Accessibility Sill

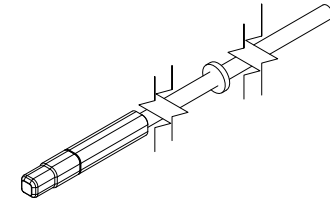
LH PN	RH PN
11869944	11869945



RH shown

## Shoot Bolt Sub Assembly, Accessibility Sill

Description	Length	PN
Flush Bolt	8 25/32" (223)	10501948
Bottom Multi-Point	33 13/32" (849)	10501995

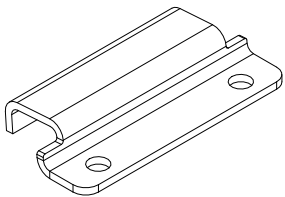


## Sill Bracket, Exterior Panel, Accessibility Sill

Used on 1 3/4" panels only

PN
11100216

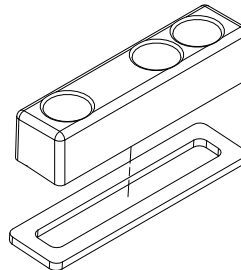
Suggested Fasteners	
2 - #8-18 x 1/2" Torx, full thread, pan head screw	
Color	PN
Ebony	11800224



## Interlock Sill Bump, Accessibility Sill

PN
11869698

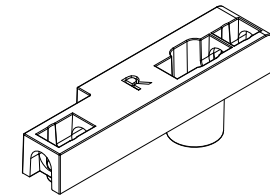
Suggested Fasteners	
3 - #8-18 x 1/2" Torx, full thread, pan head screw	
Color	PN
Ebony	11800224



## Shoot Bolt Guide, OXXO, Accessibility Sill

Color	LH PN	RH PN
Black	10501998	10501997

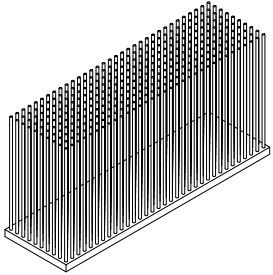
Suggested Fasteners	
2 - #8-18 x 1 1/4" , Type AB, Phillips, flat head screw	
Color	PN
Stainless Steel	11808118



RH shown

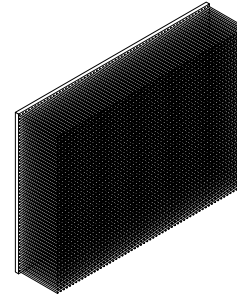
### Sill Key Fuzzy, Accessibility Sill

PN
10501143



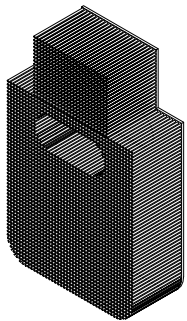
### Sill Fuzzy, Accessibility Sill

PN
10501141



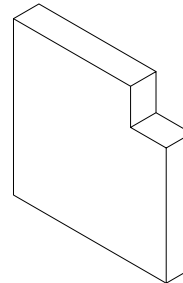
### Dust Block, OXXO, Accessibility Sill

PN
10500398



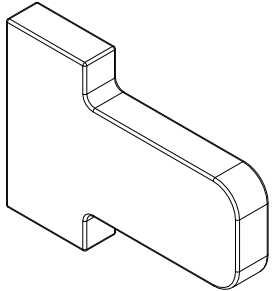
### Sill Gasket, Accessibility Sill

PN
05700009



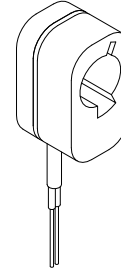
## Tailpiece, Non-keyed, Button Switch

Color	PN
Stainless Steel	10501844



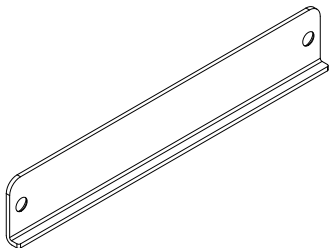
## Micro Switch Assembly

Color	PN
Black	10501824



## Cover, Transmitter

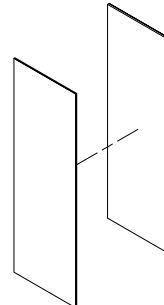
Color	PN
Brushed Stainless Steel	10501821



## Thin Loop and Hook

Used with Transmitter Cover

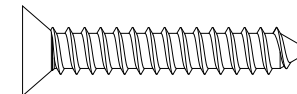
PN
10501851



## #8-18 x 1" Type AB, Full Thread

Used with Transmitter Cover  
Need quantity of 2 for each part

PN
11800769

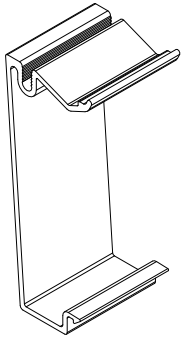




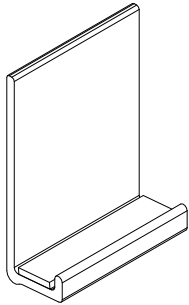
## Aluminum Parts

### Ordering specifications (use all that apply):

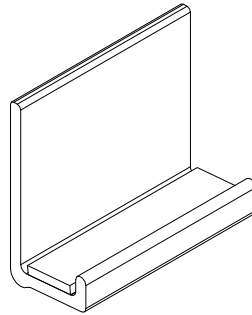
1. Original order number/line number (if available)
2. Call number or rough opening
3. Profile
4. Length
5. Handing
6. Color/finish



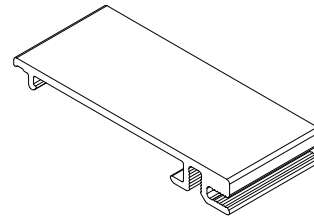
**A3637**  
Jamb/Head Jamb  
Parting Stop



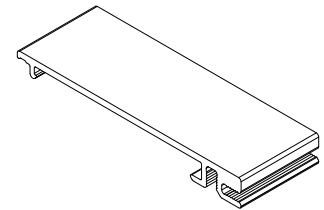
**A3727**  
Sill Liner



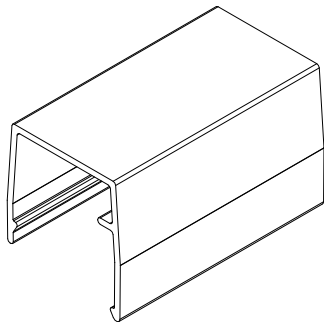
**A03955**  
Sill Liner, Accessibility Sill



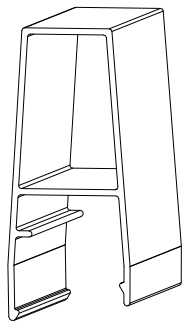
**A3553**  
Stationary Stile Edge Cover,  
1 3/4 Panels



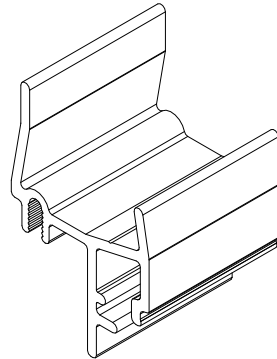
**A3554**  
Stationary Stile Edge Cover,  
2 1/4 Panels



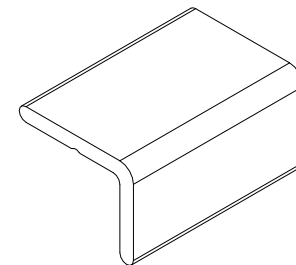
**A3634**  
Astragal Cover



**A3635**  
Mull Post



**A3633**  
Mull Base



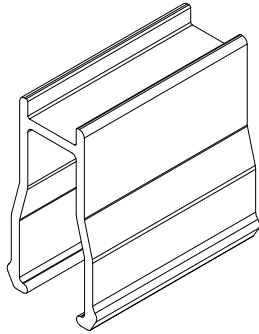
**A03858**  
Header Track

## Stationary Block, Interior Sill

A3757

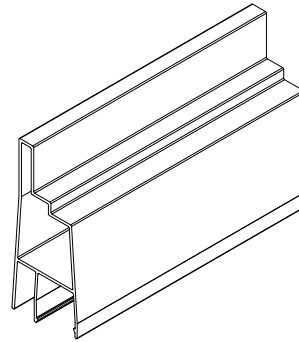
Length	Panel Width	PN
5 1/2" (140)	Under 18 1/2"	18903807
9" (230)	18 1/2" and larger	18903806

Suggested Fasteners	
3-6 - #8-18 x 1/2" Torx, full thread, pan head screw	
Color	PN
Ebony	11800224

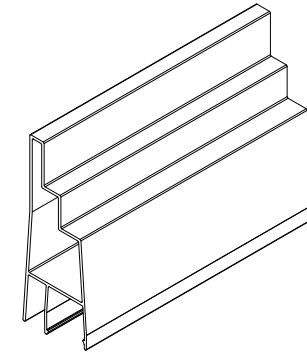


## Ordering specifications (use all that apply):

1. Profile number;
2. call number or rough opening;
3. handing;
4. length;
5. finish.



**A3644**  
Screen Mull Casing 4 9/16"



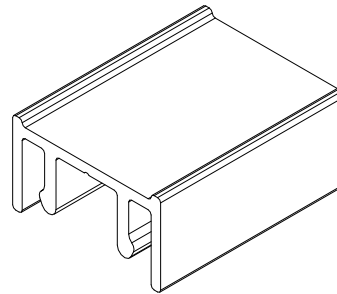
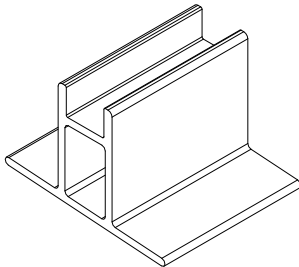
**A3645**  
Screen Mull Casing 6 9/16"

## Stationary Block, Exterior Sill

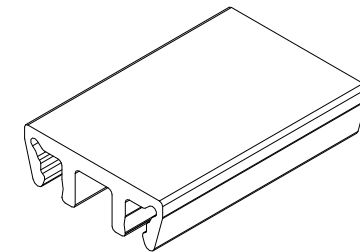
A3638

Length	Panel Width	PN
5" (127)	Under 18 1/2"	18903809
9" (230)	18 1/2" and larger	18903808

Suggested Fasteners	
5 - #8-18 x 1/2" Torx, full thread, pan head screw	
Color	PN
Ebony	11800224



**A3646, Mull Casing Screen Extension**  
NOTE: Used on 6 9/16" Jambs



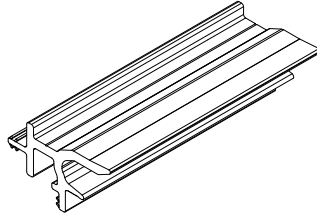
**A3490, Mull Cap, Mull Casing Screen Extension**  
NOTE: Used on 6 9/16" Jambs

Suggested Fasteners	Quantity	PN
#8-18 x 7/16" TEK 2, Phillips pan head screw	Bag of 10	11800178

## Interlock

V3086

CN	Length	PN
6-6R	75 3/8" (1915)	16222767
6-8	79 7/8" (2029)	16222768
7-0	83 7/8" (2131)	16222770
8-0	95 7/8" (2435)	16222780
10-0	119 7/8" (3045)	16222710

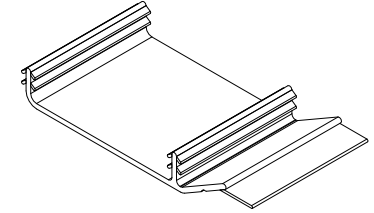


## Exterior Vinyl Frame Cover

V3224

Header		
CN	Length	PN
2-6/2-6R	27 45/64" (704)	16224242
3-0/3-0R	33 45/64" (856)	16224243
4-0/4-0R	45 45/64" (1161)	16224244

Jamb		
CN	Length	PN
6-6R	79 31/32" (2031)	16224231
6-8	79 15/32" (2019)	16224232
7-0	83 15/32" (2120)	16224233
8-0	95 15/32" (2425)	16224234
10-0	119 15/32" (3035)	16224236

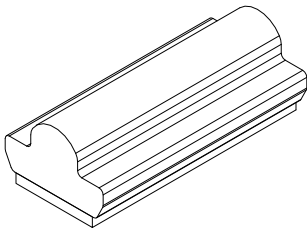


## Roller Track Assembly

V03251

NOTE: Roller track includes tape.

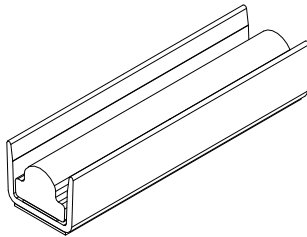
CN	Length	Operation	PN
2-6	53 1/2" (1359)	OX/XO/OXO	15901726
3-0	65 1/2" (1664)	OX/XO/OXO	15901730
30-R	63 7/8" (1622)	OXXO	15901731
4-0	89 1/2" (2273)	OX/XO/OXO	15901740
4-0R	87 7/8" (2232)	OXXO	15901741
5-0	115 7/16" (2932)	OOX/XOO	15901750



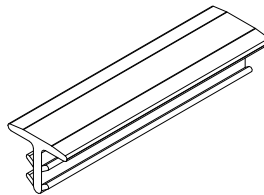
## Vinyl Parts

### Ordering specifications (use all that apply):

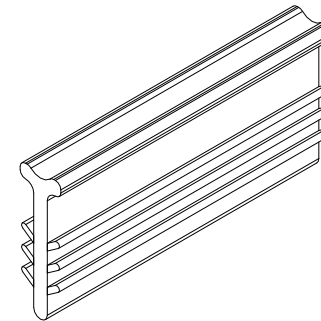
1. Original order number/line number (if available)
2. Call number or rough opening
3. Profile
4. Length
5. Handing
6. Color/finish



**Reinforced Roller Track  
Assembly**



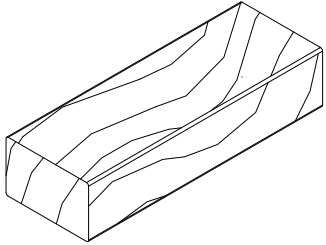
**V03427  
Kerf Filler, Accessibility Sill**



**V2421  
Wedge Frame Spacer**  
NOTE: Used as kerf filler on  
active lock stiles.

# Bumper, Header

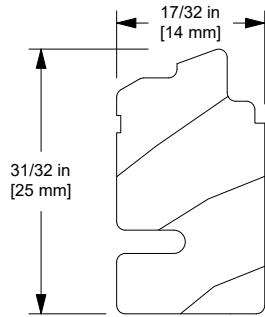
<b>PN</b>
32967098



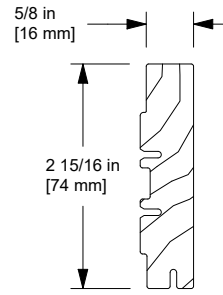
## Ordering specifications (use all that apply):

1. Profile number;
2. call number or rough opening;
3. handing;
4. length;
5. finish.

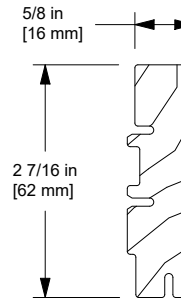
NOTE: Replacement wood parts are supplied with connecting barb (where applicable).



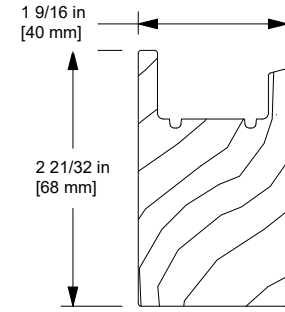
**W13542**  
Parting Stop,  
Header



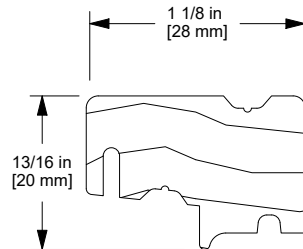
**W13543**  
Parting Stop,  
Jamb - 6 9/16"



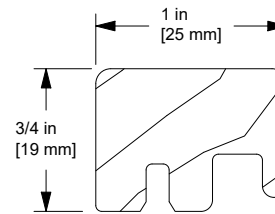
**W13541**  
Parting Stop,  
Jamb - 4 9/16"



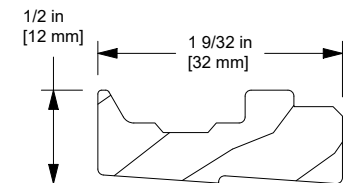
**W13985**  
Mull Cover, OOX/XOO



**W13639**  
Astragal Base



**W13393**  
Meeting Stile Filler,  
Interior

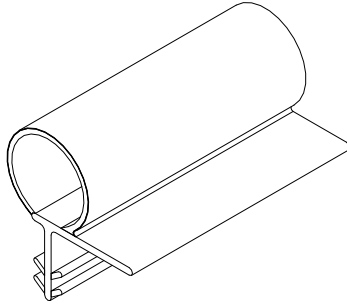


**W13565**  
Interior Sill Filler, 1 3/4"  
NOTE: Used on Transom

## Astragal Panel Weather Strip

V3173

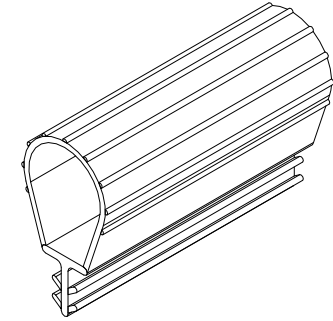
CN	Length	PN
6-8	79 5/64" (2009)	16220968
7-0	83 5/64" (2110)	16220970
8-0	95 5/64" (2415)	16220980
10-0	119 5/16" (3025)	16220910



## Frame Weather Strip

V3200

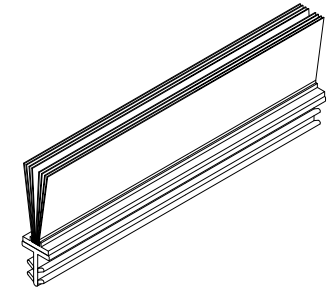
Color	Length	PN
Black	Specify length (LF)	16220010



## Weather Strip, 1/2" Pile

V2493

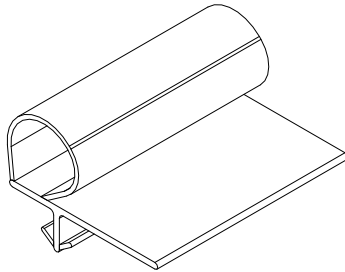
Length	Color	PN
6" (152)	Black	11209997



## Parting Stop Weather Strip

V3117

CN	Length	PN
2-6	27 15/16" (710)	16223526
3-0	33 15/16" (862)	16223530
4-0	45 15/16" (1167)	16223540
2-6R	27 9/64" (689)	16223527
3-0R	33 9/64" (842)	16223531
4-0R	45 9/64" (1146)	16223541
Lineal	168" (4267)	16221499

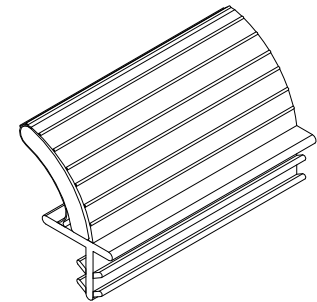


## Weather Strip, Foam Leaf

V1194

Used on Clad Head Jamb Parting Stop

Length	Color	PN
Specify Length (LF)	Black	17003596

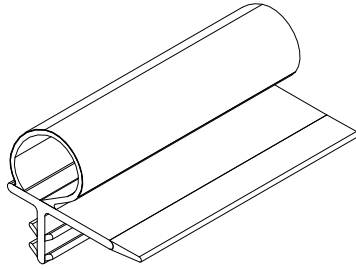


## Mull/Astragal Base Weather Strip

V3208

NOTE: Part numbers shown below are for an OXO operation. OOX and OXXO usage will use the same part numbers, trimming in the field will be needed.

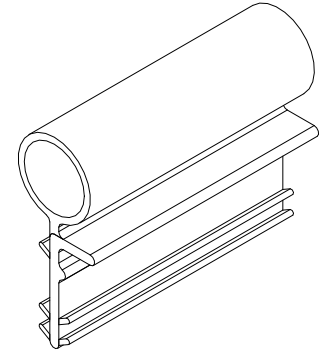
CN	Length	PN
6-6R	75 27/32" (1926)	16224066
6-8	78 11/32" (1990)	16224068
7-0	82 11/32" (2066)	16224070
8-0	94 11/32" (2396)	16224080
9-0	106 11/32" (2701)	16224090
10-0	118 11/32" (3006)	16224010



## Stile Weather Strip

V3243

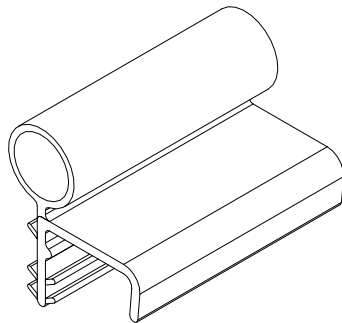
CN	Length	PN
6-8	79 47/64" (2025)	16224668
8-0	95 47/64" (2432)	16224680
10-0	120 7/64" (3051)	16224696



## Top Rail Weather Strip

V3241

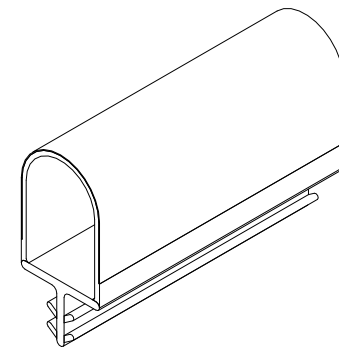
CN	Length	PN
3-0	37 9/32" (947)	16224531
4-0	49 9/32" (1252)	16224541
3-0R	36 15/32" (926)	16224533



## Interlock Weather Strip, Stationary Stile

V03419

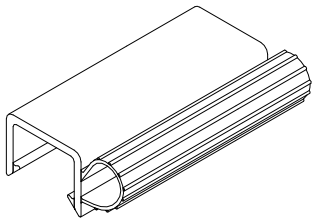
CN	Length	PN
6-6R	75 3/8" (1915)	16224866
6-8	77 7/8" (1978)	16224868
7-0	81 7/8" (2080)	16224870
8-0	93 7/8" (2385)	16224880
10-0	117 7/8" (2994)	16224810



## Sill Weather Strip

V03276

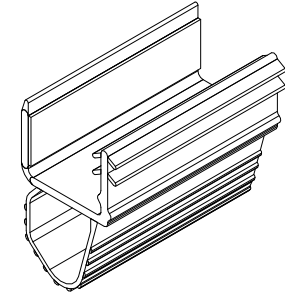
CN	Length	Operation	PN
3-0	35 27/64" (900)	OX/OXXO Stat OXO Ext Stat	16221835
4-0	47 27/64" (1204)	OX/OXXO Stat OXO Ext Stat	16221847
3-0	35.11/64" (893)	OX/OOX Act	16221834
4-0	47 11/64" (1198)	OX/OOX Act	16221846
Lineal	122" (3099)	--	16221522



## Bottom Rail Weather Strip, Interior Panel, Accessibility Sill

V03406

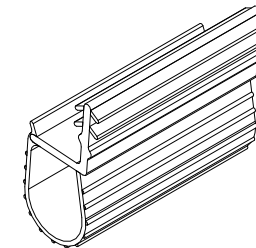
CN	Length	PN
3-0	36 9/16" (929)	16225530
5-0	61 9/32" (1557)	16225450



## Bottom Rail Weather Strip, Exterior Panel, Accessibility Sill

V03405

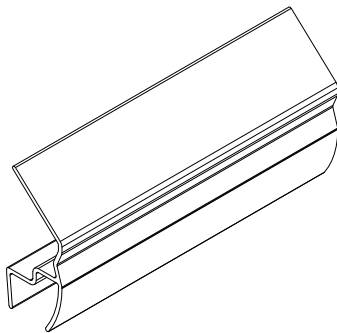
Length	PN
37 31/64" (952)	16229530
61 31/64" (1562)	16229550



## Weather Strip Pull Back Jig

NOTE: Used to insert sill weather strip.

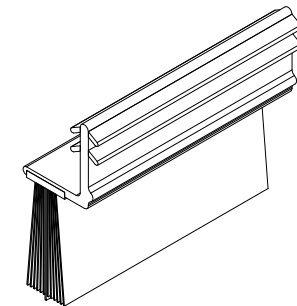
CN	Length	PN
NA	8" (203)	16220827
3-0	34" (864)	16220831
5-0	58" (1473)	16220850



## Bottom Rail Pile Weather Strip Accessibility Sill

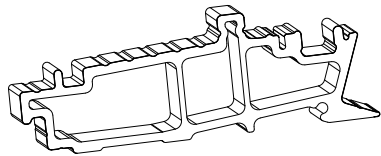
V03381

CN	Length	PN
5-0	61 5/16" (1558)	16224750

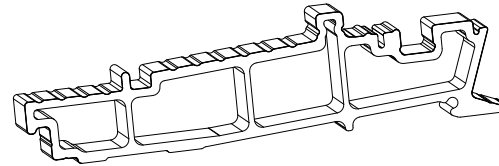




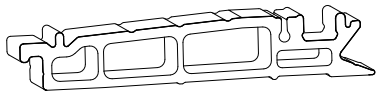
Refer to Configured Parts in OMS for sill replacement.



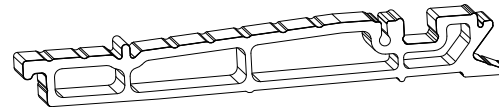
**Performance Sill - 4 9/16"**  
F2055



**Performance Sill - 6 9/16"**  
F2056



**Accessibility Sill - 4 9/16"**  
F2057



**Accessibility Sill - 6 9/16"**  
F2058

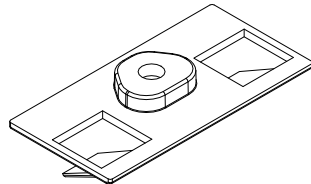
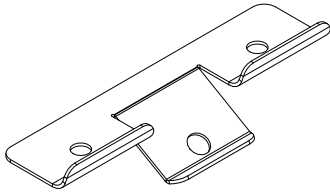
Refer to Configured Parts in OMS for panel replacement.

Refer to Configured Parts in OMS for full screen replacement.  
Individual screen replacement parts are available in the Ultimate Screens G2 (Door Screens) section.

## Replacement Panel Bracket Kits, Outswing

NOTE: Used on panels sitting to the exterior.

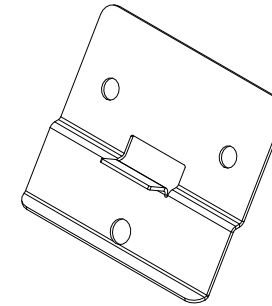
Description	Description	PN
5 Piece Kit	5 - Field service brackets, Outswing 10 - #8-18x1 1/2" Type A/AB, full thread screw 5 - #10-12 x 3", 2/3 thread screw 2 - Stationary panel alignment part 2 - #8-18x1" Type AB, full thread screw 1 - UOFD UIFD Stationary Panel Service Instruction	11102263
7 Piece Kit	7 - Field service brackets, Outswing 14 - #8-18x1 1/2" Type A/AB, full thread screw 7 - #10-12 x 3", 2/3 thread screw 2 - Stationary panel alignment part 2 - #8-18x1" Type AB, full thread screw 1 - UOFD UIFD Stationary Panel Service Instruction	11102264



## Replacement Panel Bracket Kits, Inswing

NOTE: Used on panels sitting to the interior.

Description	Description	PN
5 Piece Kit	5 - Field service brackets, Inswing 10 - #8-18x1 1/2" Type A/AB, full thread screw 5 - #10-12 x 3", 2/3 thread screw 1 - UOFD UIFD Stationary Panel Service Instruction	11102261
7 Piece Kit	7 - Field service brackets, Inswing 14 - #8-18x1 1/2" Type A/AB, full thread screw 7 - #10-12 x 3", 2/3 thread screw 1 - UOFD UIFD Stationary Panel Service Instruction	11102262



## Drill Jig, Interior Panel, Service Bracket

PN
11101738

