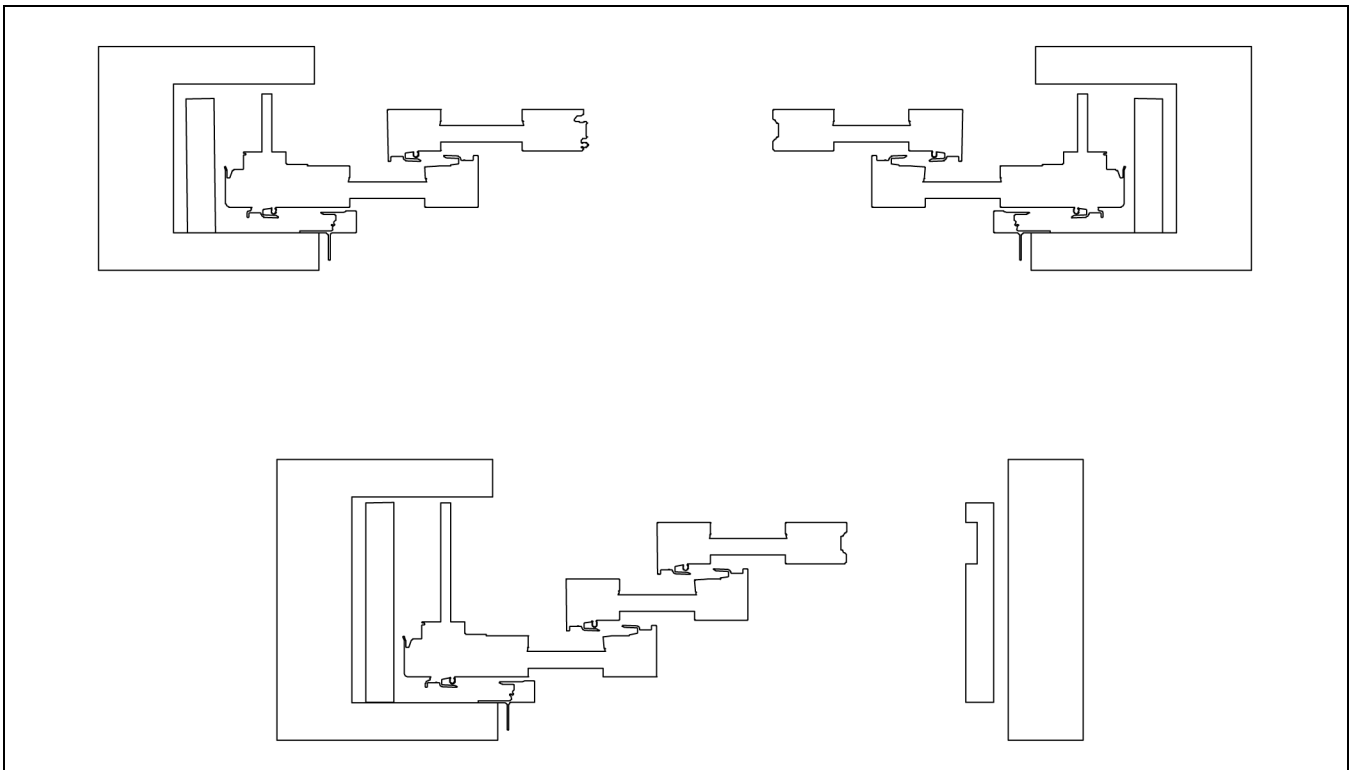


Modern MultiSlide Pocket Installation Instructions

ABSTRACT: Please read these instructions in their entirety before beginning to install your Marvin Door product. These installation instructions demonstrate the installation of a Marvin door in new wood frame construction using an industry approved water management system. For installation using other construction methods, such as remodeling, replacement, and recessed openings refer to the latest version of ASTM E2112, "Standard Practice for Installation of Exterior Windows, Doors and Skylights," for installation suggestions. The same information for ASTM E2112 can be found on the ASTM website, www.astm.org.

Regional standard practices, environmental conditions, and codes may vary and supersede the procedures contained within. The responsibility for compliance is yours: the installer, inspector, and owner(s).

The English language version of this instruction is the official version and shall take precedence over any translation.



KEYS TO A GOOD INSTALLATION:

- SQUARE the door in relation to the sill.
- A GOOD INSTALLATION has a FLAT sill that is also LEVEL.
- The BEST INSTALLATION has a FLAT and LEVEL sill and a SQUARE and PLUMB opening.

Correcting an out of square opening requires shimming beneath the sill and/or at the corners. These instructions assume an opening is constructed for the BEST installation with a flat and level sill and a square opening.

NOTE: Numbers listed in parentheses () are metric equivalents in millimeters rounded to the nearest whole number.

Table of Contents

Hazards and Warnings.....	3
Technical Specifications	3
Protective Film	4
After Market Products	5
Installer and Builder Information	5
Tools Needed	6
Parts Included	6
High Performance Sill-Install the Sill Slope.....	8
Install Panning	11
High Performance Sill-Install the Counter-shims	12
Splicing the Sill.....	13
Splicing the Head Jamb	17
Assemble the Frame.....	20
Install the Frame	22
Squaring the Frame and Complete Fastening	25
Prep the Panels	29
Panel Installation-Exterior	30
Panel Installation-Interior	31
Adjusting Panels	32
Pocket Panel-Support Blocks and Covers	34
Install Sill Frame Covers	37
Install Head Jamb Frame Covers	38
Install Jamb Frame Covers	39
Install Panel Bumpers	39
Install Pocket Bumpers	40
Install the HP Sill Nosing.....	40

Hazards and Warnings

WARNING!

Do NOT lift or move without proper equipment. Read, understand, and follow all lift equipment manufacturers' instructions and safety information.

WARNING!

This product can expose you to chemicals including titanium oxide, which is known to the state of California to cause cancer. For more information, go to www.P65Warnings.ca.gov.

WARNING!

This product can expose you to chemicals including methanol, which is known to the state of California to cause birth defects or other reproductive harm. For more information, go to www.P65Warnings.ca.gov.

WARNING!

Always practice safety! Wear the appropriate eye, ear, and hand protection, especially when working with power tools.

WARNING!

Pinch point can occur at the panel intersections during operation. Do not keep fingers in the exterior pull when bypassing the adjacent panel.

CAUTION!

Wear gloves and protective clothing when handling the frame components. Some high-density fiberglass surfaces are not coated and can leave splinters in bare skin.

NOTE: MultiSlide panel operation force is affected by panel size and number of panels. Keep this in mind when having to open or close large and/or multiple panels at one time.

Technical Specifications

The following details are specified for proper installation of the unit to meet the advertised performance grade (PG) rating.

- Rough Opening Width: 1/4"-1 1/2" (6-38) wider than unit frame outside measurement.
- Rough Opening Height: 1/4"-1 1/2" (6-38) taller than unit frame outside measurement.
- Masonry Opening Width: 1/4"-1/2" (6-13) wider than unit frame outside measurement.
- Masonry Opening Height: 1/8"-1/4" (3-6) taller than unit frame outside measurement.

ATTENTION

Architectural	Detail	Manual	Specifications:
Rough Opening: 3/4" (19)	Width up to	1/2"(38);	Height up to

Masonry Opening: Width 1/4"

- The panning must drain water to the exterior of the cladding OR the exterior surface of a concealed weather resistive barrier.

! CAUTION!

Be aware that the use of sill pans and other barriers will decrease the rough opening height clearance. Adjust opening dimensions accordingly.

- The panning system used in these instructions is one component in a structure's overall water management system. It should be used in conjunction with an appropriate drainage plane compatible with the exterior wall cladding.
- Flashing materials must comply with ASTM E2112, and be compatible with all materials used in installation including panning systems, air barriers and building papers, sheathing, and the window unit.
- Properly flash and/or seal all windows at the exterior perimeter.

IMPORTANT

Flashing material must not contain asphalt and must be compatible with flexible PVC (vinyl) if nailing fin is used as a backing material.

IMPORTANT

Sealants used for installation must be Grade NS Class 25 per ASTM C920 and compatible with the building exterior, window or door exterior surface, and flashing/water management materials.

- Optional foams used for installation must be low expansion only. Foam and foam application must comply with ASTM E2112.
- Shims are required at every fastener location.
- Do not use chemically treated products for shim material.
- Fasteners penetrating chemically treated lumber must be a minimum of 0.90 oz/ft² zinc hot dipped galvanized or stainless steel type 304 or 316.
- The frame must not come into direct contact with chemically treated wood products.

Protective Film

Some products feature a clear protective film adhered to the glass surfaces to protect them from construction debris, dust, dirt, stucco, etc. When construction is complete, simply peel the film off and dispose of it with other construction debris.

IMPORTANT

Do not use a razor blade to remove the protective film. Do not use a pressure washer to clean debris from the film. The film should be removed within nine months (typical) of application.

The use of high absorption coatings and tints, Neat+® coated glass, LoE-189® and other exposed Low-E coatings could affect adhesion and reduce the amount of time allowed to remove the film. Please refer to the [manufacturer's website](#) and [bulletin](#) for more information on the physical properties and usage of the protective film.

IMPORTANT

DO NOT place suction cups over seams in the protective film.

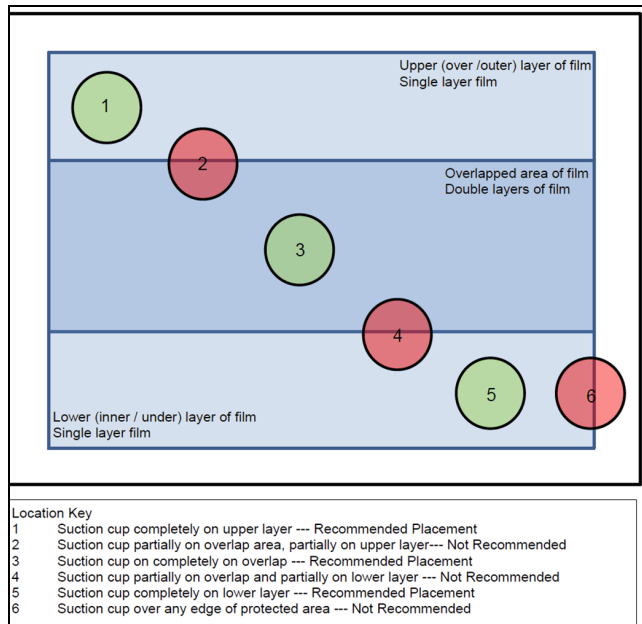


Figure 1 Do not put suction cups on seams or edges

After Market Products

Alterations to Marvin products including window films, insulating or reflective interior window treatments or additional glazings can cause excessive heat buildup and/or condensation. They may lead to premature failures not covered under warranty by Marvin Windows and Doors.

Before purchasing or applying any product that may affect the installation or performance of Marvin windows or doors, contact the manufacturer of after-market product/glazings that are not supplied by Marvin and request written product use, associated warranties and damage coverage. Provide this information and warranties to the end user and/or building owner for future reference.

Installer and Builder Information

- Always provide a copy of these instructions for the current homeowner.
- Plan sizing of rough opening and clearance from exterior finishing systems to allow for normal

materials shrinkage or shifting (e.g. wood structure with brick veneer; allow adequate clearance at the sill). Failure to do so can void the Marvin warranty coverage.

- Refer to the Technical Installation Specifications section for technical specifications regarding the installation of this product. These installation requirements as well as the details in the section must be followed to achieve the advertised Performance Grade (PG) rating of this product.
- It is the responsibility of the builder, installer, and subcontractors to protect the interior and exterior of windows or doors from contact with harsh chemical washes, construction material contamination and moisture. Damage to glazing, hardware, weather strip and cladding/wood can occur. Protect with painters tape and/or protective sheathing as required. Follow all guidelines regarding material use, preparation, personal safety and disposal.
- Contact your Marvin supplier if you have any questions regarding product and materials used in manufacturing or questions on replacement parts.
- Please refer to the PDF version of this instruction for further information regarding best practices installer and builder information, code, and other legal requirements. The PDF version is the official document of record.

Tools Needed

- Safety glasses
- Putty knife
- Pry bar
- Square
- Drill/driver
- T20 Torx and #2 Phillips bits
- 5mm Hex wrench at least 5"
- 1/8" drill bit
- 3/16" drill bit
- 1/8" self centering bit (Vix bit)
- Gloves
- Flathead screwdriver
- Suction cups for handling glass panels
- Utility knife
- Level (laser level helpful)
- Rubber mallet
- Tape Measure
- Mason's line
- Compressed air

Additional Supplies Needed

NOTE: Some supplies are sent with your door. Refer to the pick list in the Installation and Hardware Accessories Box for details.

- Story poles (if necessary)
- Low expansion, low compression foam
- Flashing
- Sealant
- Sill Pan
- Weather resistive barrier
- Shims
- Rags/paper towel
- Minimum #8 size screws to fasten sill to rough opening (length depends on substrate).

Parts Included

Each door is shipped with panels, frame components, weather strips etc. Fasteners are sent in color coded packages noted below and throughout the instruction in the illustrations.

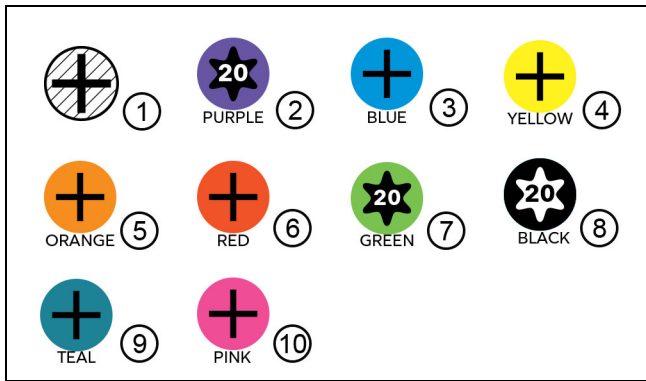


Figure 2 Color coded screw packages

1	Phillips Head, no package
2	#8 x 1/2" T-20 Torx™ head, purple package
3	#8 x 3" 2/3 thread Phillips head, blue package
4	#8 x 2 1/2" 2/3 thread Phillips head screw, yellow package
5	#8 x 7/16" self drilling Phillips pan head, orange package
6	#8 x 1/2" Phillips flat head stainless screw, red package
7	#8 x 1 3/4" self drilling T20-Torx pan head stainless steel, green package
8	#10 x 3" T-20 Torx 2/3 thread pan head screw, black package

High Performance Sill-Install the Sill Slope

NOTE: If you are installing a door with a standard flush sill or performance sill proceed to [Install Panning on page 11](#).

If you are using a high performance sill, you will receive the Sill Slope pre-assembled and counter-shims that are snapped together as well as fasteners. After the sill opening is leveled you will install the Sill Slope, then your panning, counter-shims, and finally install the frame. [See Figure 3](#).

IMPORTANT

Sill opening cannot exceed 1/4" (13) out of level. You must remedy the sill opening condition to within 1/4" of level before installing the sill slope.

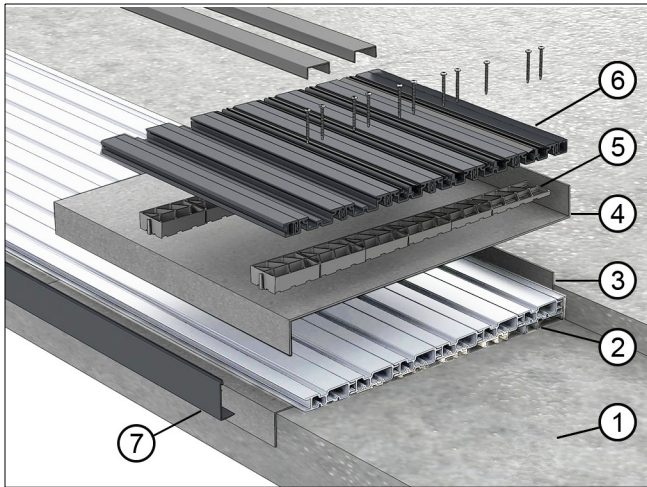


Figure 3 HP Sill System

1	Sill Slot
2	HP Sill Slope
3	Optional pre-panning/sill leveling
4	Panning
5	Countershims
6	MSD door sill
7	Sill nosing

1. HP Sill Slope Offset: The distance from the exterior wall blackout panel to the edge of the sill slope is approximately 1 1/16" (27). As an option, fabricate a filler piece from rigid foam or treated lumber to this dimension. [See Figure 4](#). The height will vary depending on how many tracks your door uses. Refer to the HP Sill Slope Offset table in the [Modern Multi-Slide Site Preparation Instructions](#) for heights.

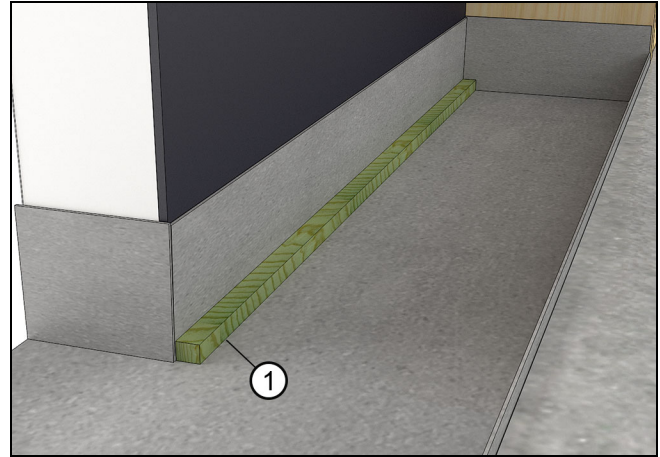


Figure 4

1	Sill slope offset filler
---	--------------------------

2. Temporarily place the HP sill component next to the opening. Mark the location of the holes on the RO subsill. This will help you locate the counter-shims. [See Figure 5](#).

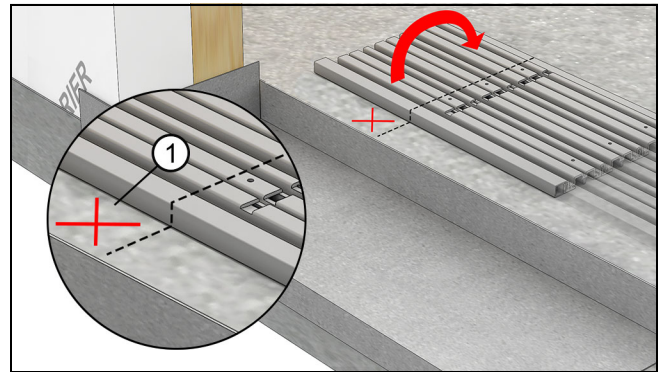


Figure 5

3. Set the sill slope in the slot at the desired location. Using the pre-drilled holes in the sill slope as a guide, drill through both walls of the sill slope and into the optional pre-panning and substrate. [See Figure 7](#) and [Figure 7](#).

The sill slope is oriented flush with the exterior nail fin plane or 1 1/16" (29) from the exterior plane of the door.

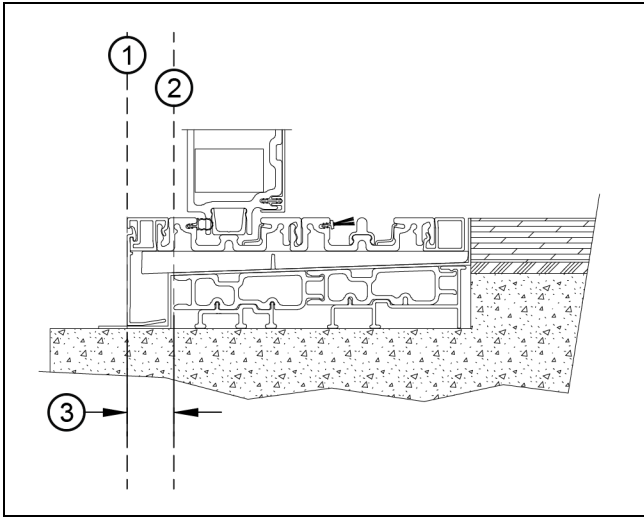


Figure 6

1	Exterior plane of door
2	Exterior nose of sill slope
3	1 1/16" (29)

NOTE: The sill slope is cut to the width of the opening, it can be trimmed shorter if needed to fit the actual opening.

NOTE: Temporarily place shims between the sill slope and the interior edge of the slot to maintain a 1/8" gap and help to mark the location of the slope once you remove it from the slot.

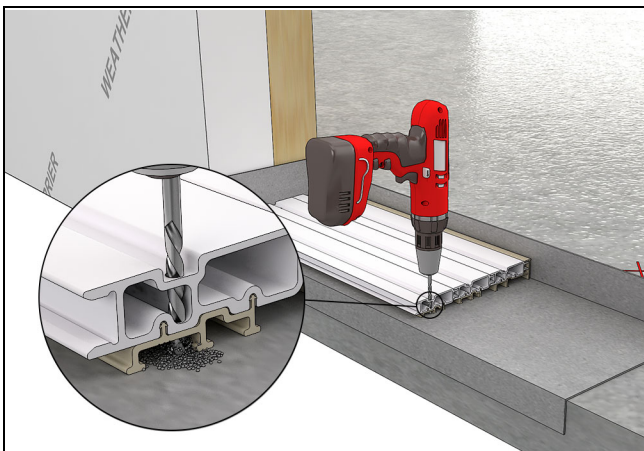


Figure 7

4. Remove the sill slope from the slot and blow out the holes with compressed air. See Figure 8.

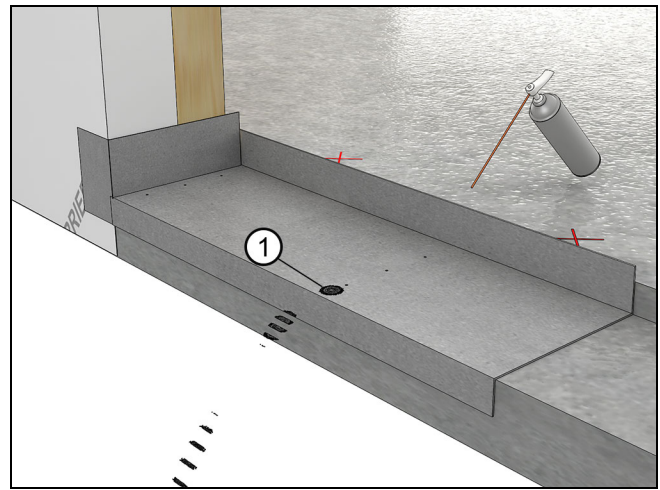


Figure 8

1	Blow debris out of hole
---	-------------------------

5. Inject the pre-drilled holes with sealant. See Figure 9.

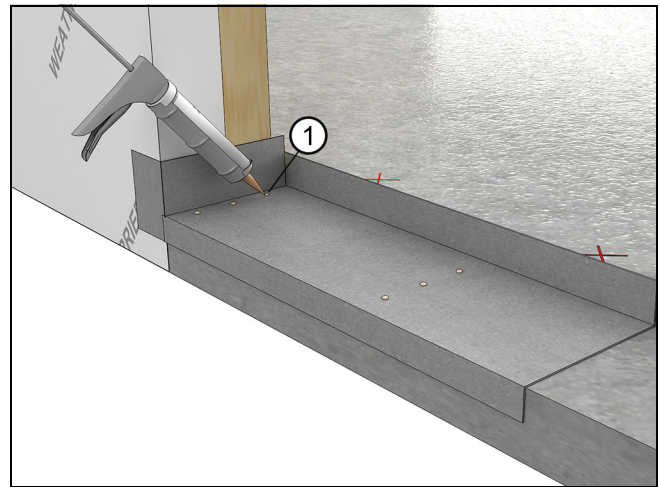


Figure 9

1	Sealant
---	---------

6. Set the sill slope in the slot and fasten into the rough opening sill with a minimum #8 x 2 1/2" (64) pan head screw appropriate for your structure. The screw must penetrate at least 1 1/4" (32) into the subsill. See Figure 10.

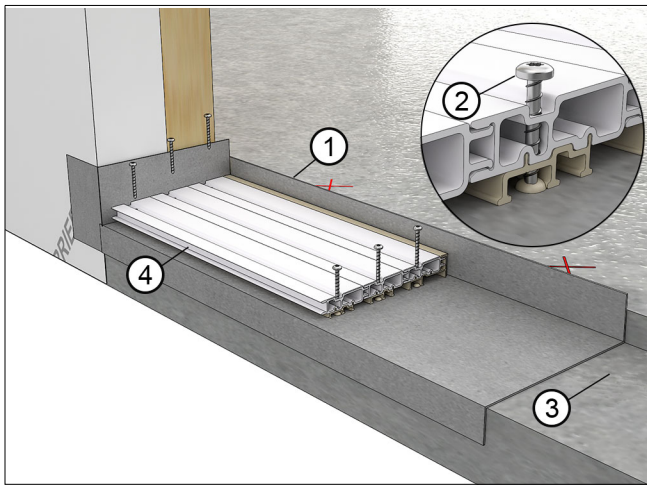


Figure 10 Install sill slope

1	Optional pre-pan
2	Fastener-#8 size at least 2 1/2"
3	Slot
4	Sill Slope

Install Panning

1. Integrate your panning with the water management system.
2. Any fasteners penetrating the sill panning must have sealant applied to the pre-drilled hole prior to fastening.
3. Pocket panning must have a minimum of 4" (102) end dam on all sides of the pocket. The rear leg of panning must be as high as the interior sill liner. [See Figure 11](#)

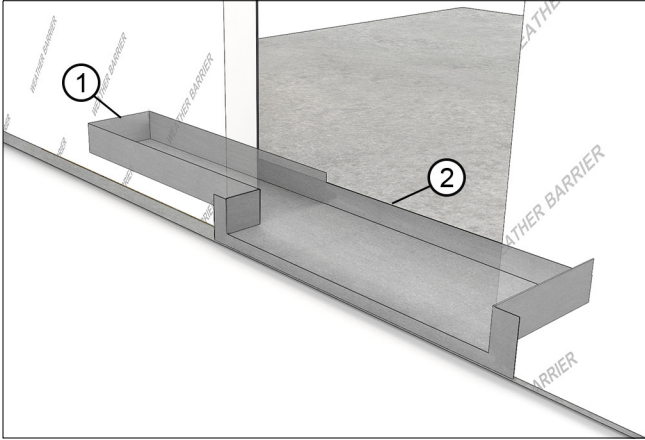


Figure 11 Pocket panning for Performance or Flush sill shown.

1	4" panning in pocket all sides
2	Rear leg of panning as high as door sill liner.

High Performance Sill-Install the Counter-shims

1. Assemble the counter-shims sent with the door. See [Figure 12](#).

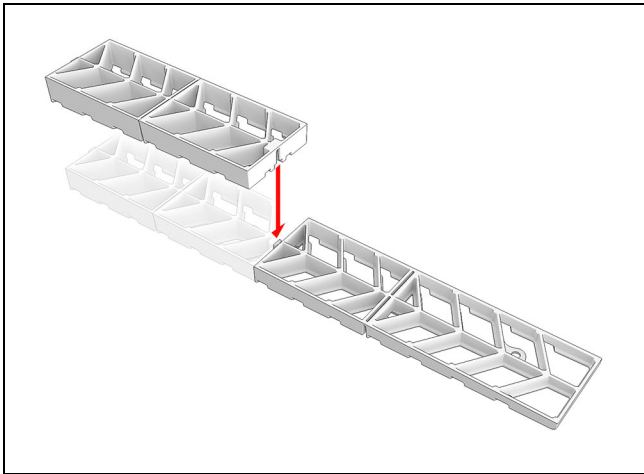


Figure 12 Connect counter-shims

2. If you have an odd number of sill tracks you will need to break off the exterior end of the counter-shim at the break line. See [Figure 13](#).

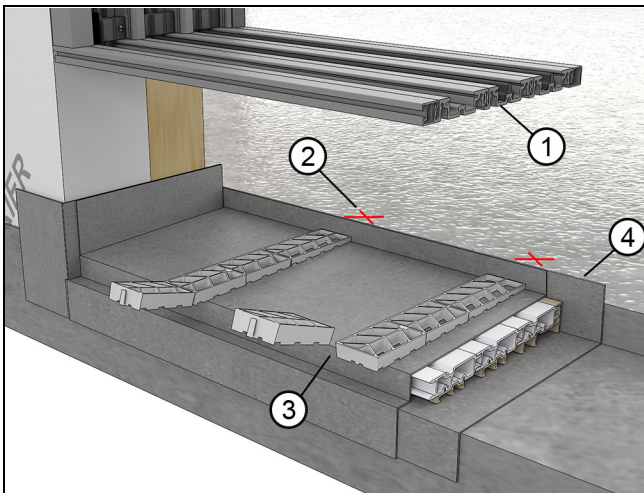


Figure 13 HP Sill (3 track shown)

1	Door sill
2	Sill dam
3	Counter shim
4	Optional pre-panning

3. Place the counter-shims in the panning every 10"(254) using the marks you made earlier as a guide. The counter-shims should be placed beside the fastener locations (opposite side of the drain routs). See [Figure 14](#).



Hint

Put a dab of sealant down to keep the counter-shims in place before you install the frame.

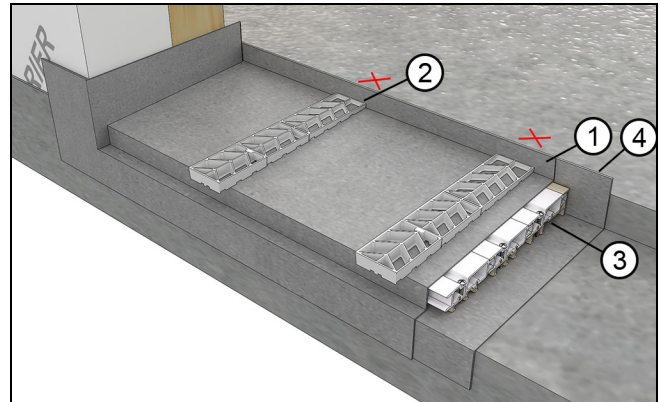


Figure 14 Set counter-shims

1	Panning
2	counter-shims
3	Sill Slope

4. Check the counter-shim/sill opening for level. If necessary use the 1/16" (3) thick adhesive backed shims (included) to bring the counter-shims to level. See [Figure 15](#).

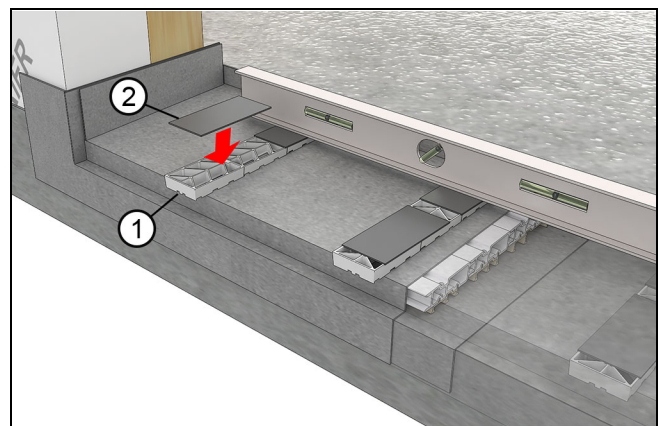


Figure 15 Level counter-shims with stackable shims

1	Counter shim
2	Stackable shims

Splicing the Sill

Using a smartphone or similar device, scan the QR code below or click [here](#) to play a video of this procedure.



NOTE: You will have to splice your sill if the width of your door exceeds 21 feet (6.4 meters).

1. Spliced sills will be labeled to provide detail on where you need to install the various bundled components in [step 11 on page 15](#). A key is also provided for further detail on the component, track, and location.

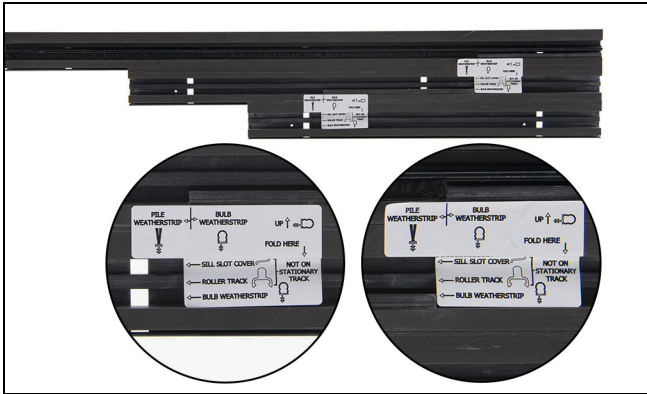


Figure 16



Figure 17

2. Lay the sill parts on a flat clean and protected surface with the splice sections lined up top side up. [See Figure 18](#).

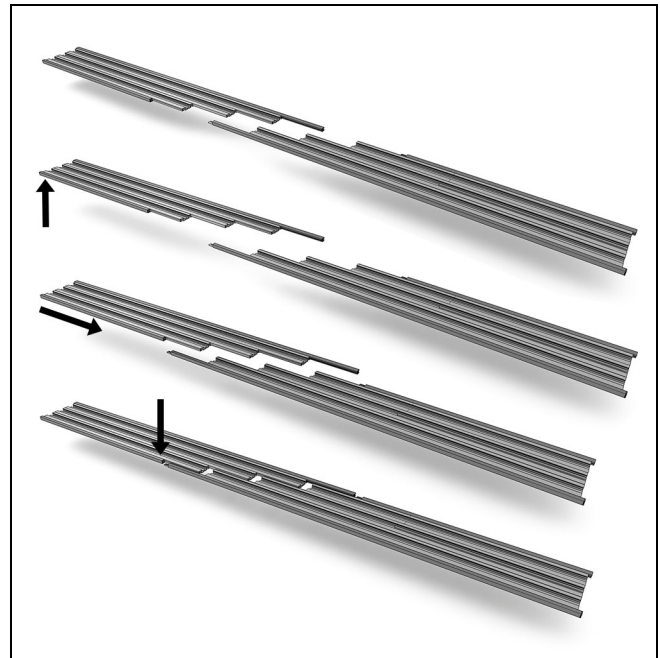


Figure 18

3. Press the splice sections together and seat with a rubber mallet. [See Figure 19](#).

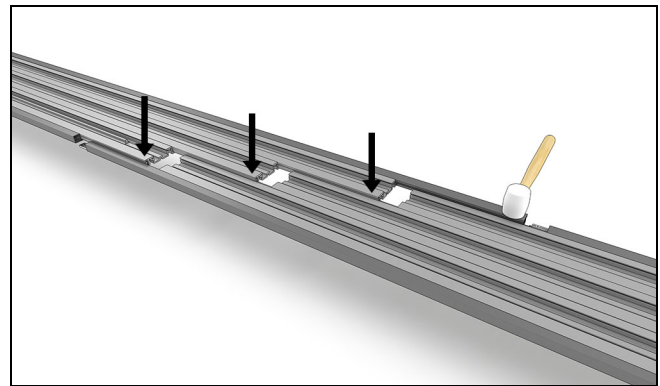


Figure 19

4. Flip the assembly upside down. [See Figure 20](#).

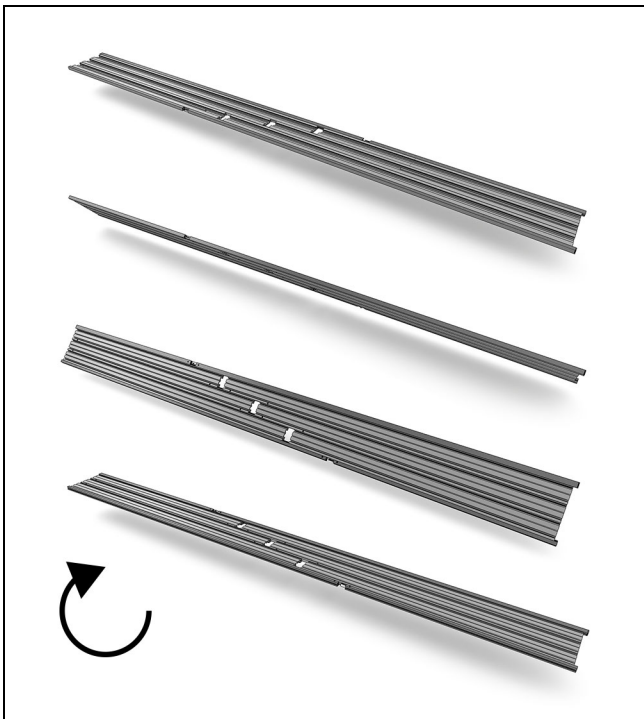


Figure 20

5. Remove the screws from the splice keys. See Figure 21.

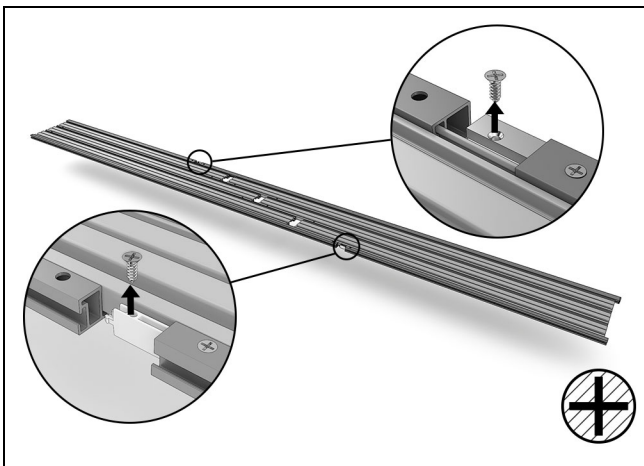


Figure 21

6. Tap the two sections together until the splice joint is tight and the end of the tracks are flush. The sill liners will sit 1/2" (13) beyond the tracks on each side of the sill. See Figure 22.

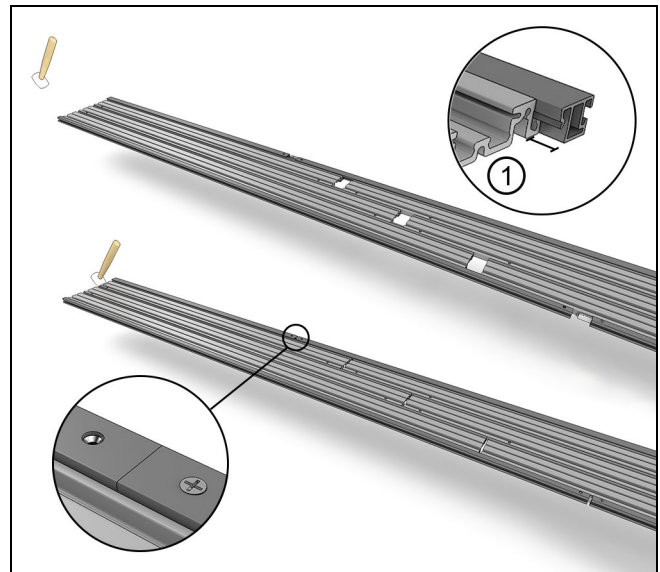


Figure 22

1	1/2" (13)
---	-----------

7. Fasten the splice keys with the screws you removed earlier. See Figure 23.

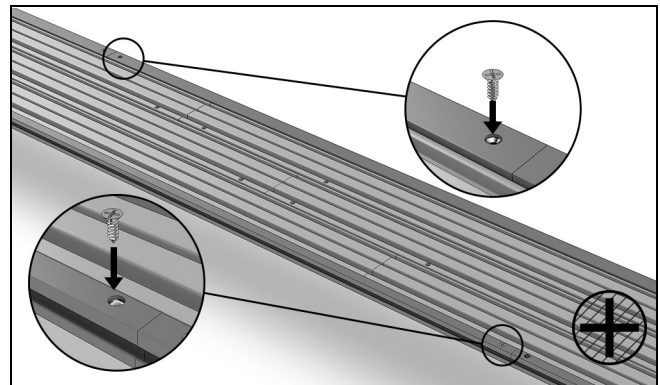


Figure 23

8. Drill pilot holes through the pre-drilled holes (found near the splice areas) using a 1/8" (3) Vix (self centering) drill bit. The depth cannot exceed 1/2" deep. See Figure 24.

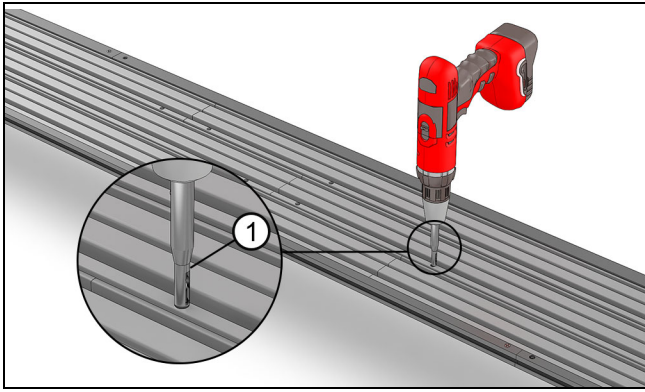


Figure 24

1	1/8" Self centering drill bit.
---	--------------------------------

9. Fasten sill sections with #8-18 x 1/2" (13) screws.

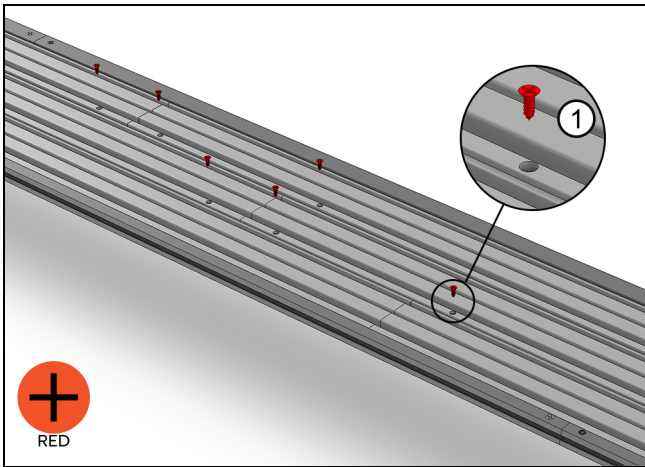


Figure 25

1	#8x1/2" screws
---	----------------

10. Once all screws are secured, flip the sill right side up. See Figure 25.

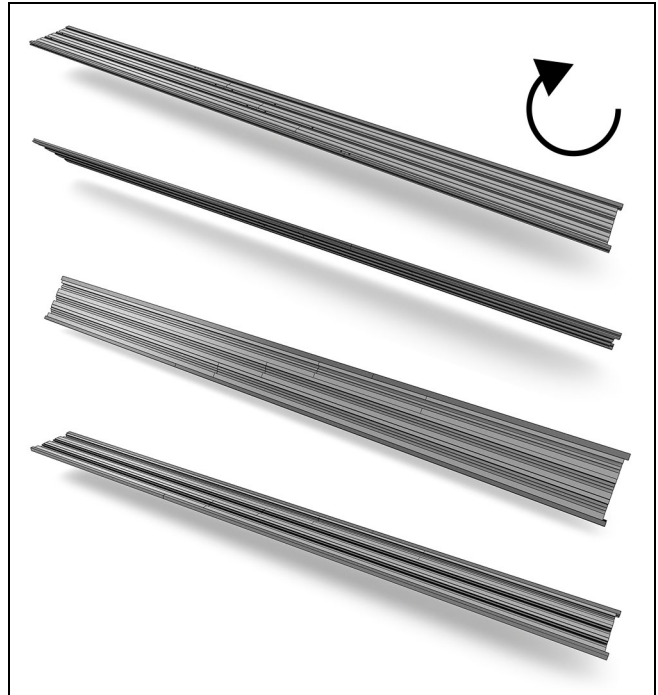


Figure 26

11. Where required, add the roller track, weather strip and sill slot covers over the spliced sections. See Figure 27, Figure 28, and Figure 29.

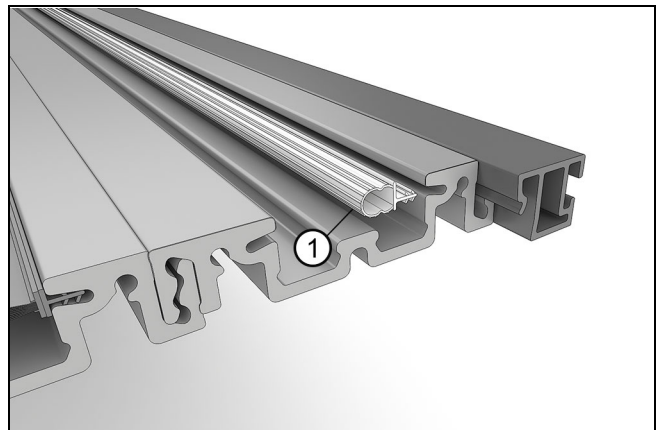


Figure 27

1	Bulb weather strip
---	--------------------

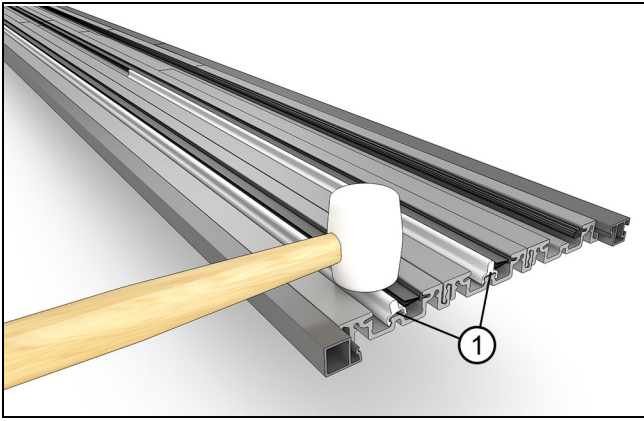


Figure 28

1	Sill track
---	------------

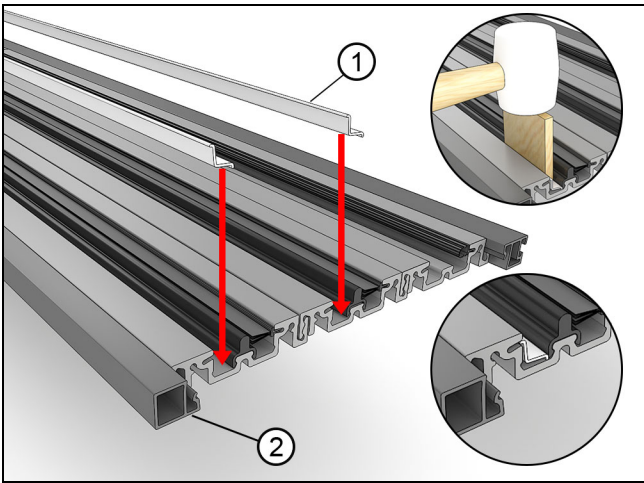


Figure 29

1	Sill slot cover
2	Interior side

Splicing the Head Jamb

NOTE: You will have to splice your head jamb if the width of your door exceeds 21 feet (6.4 meters).

1. Spliced head jambs will be labeled to provide detail on where you need to install the various bundled components in [step 10 on page 19](#). A key is also provided for further detail on the component, track, and location.

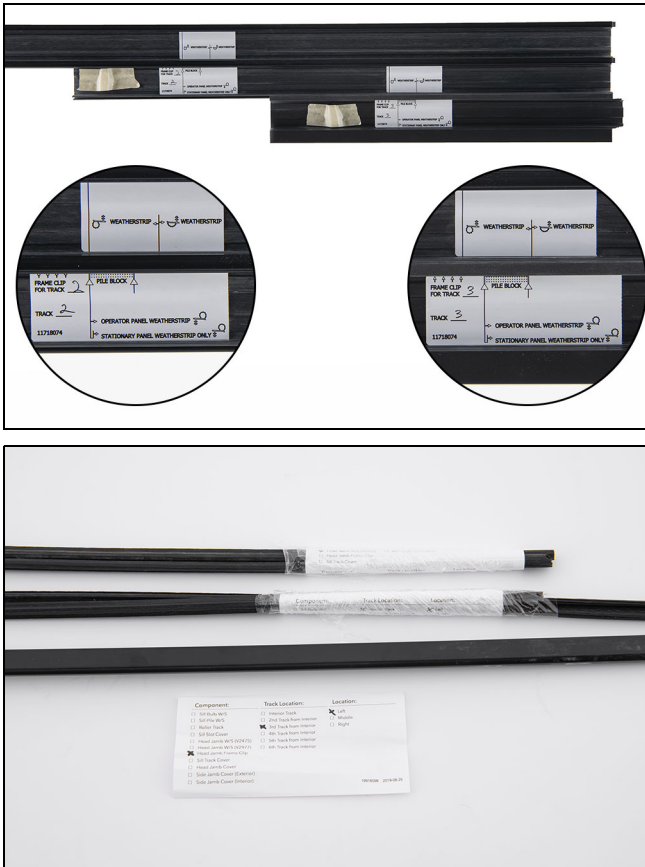


Figure 30

2. Lay the head jamb parts out on a flat clean and protected surface. [See Figure 31](#).

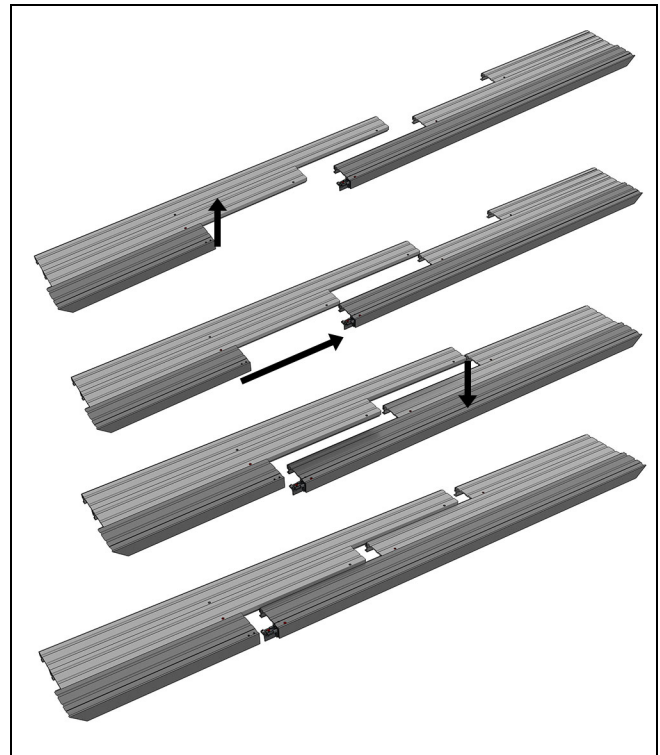


Figure 31

3. Press the splice sections together and seat with a rubber mallet. [See Figure 32](#).

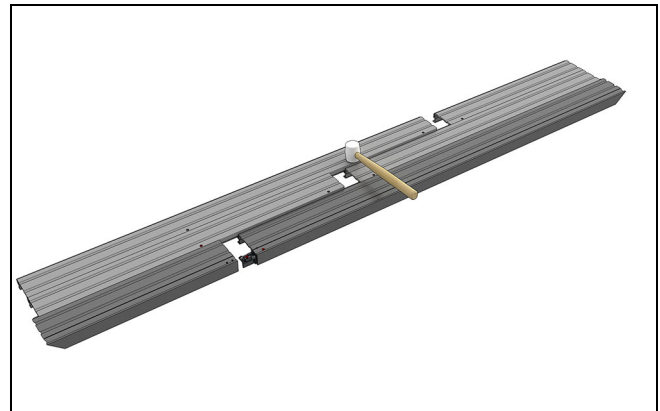


Figure 32

4. Remove the screws from the splice keys. [See Figure 33](#).

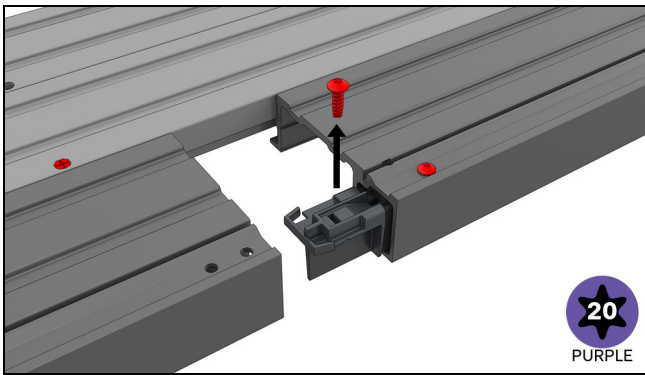


Figure 33

5. Press the splice sections together and seat with a rubber mallet. See Figure 34.

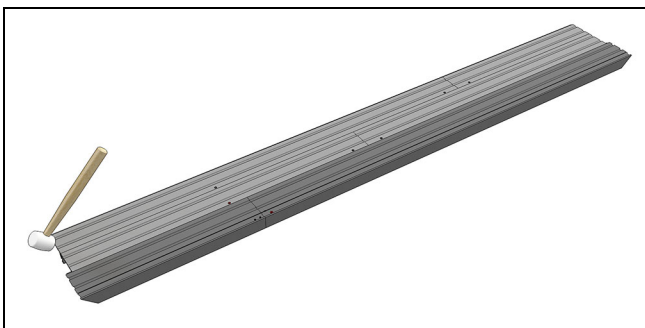


Figure 34

6. Fasten the head jamb splice key with #8 x 1/2" (13) screws. See Figure 35.

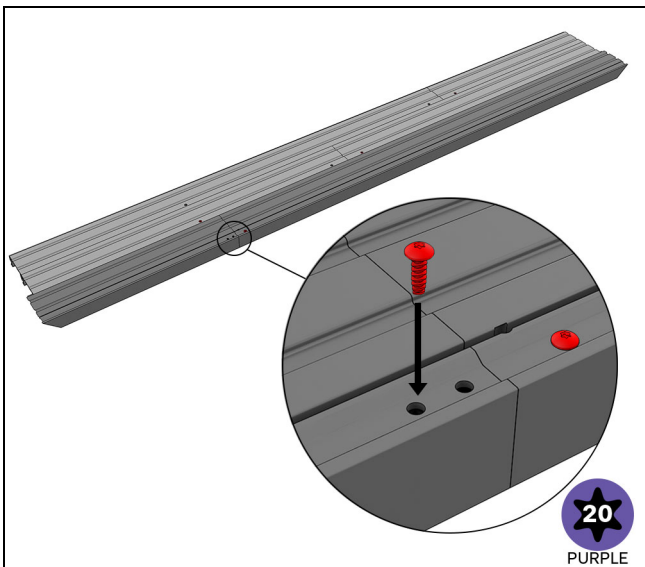


Figure 35

7. Inject sealant into the hole nearest the splice until squeeze out appears in the nearby relief hole in the nail fin kerf. See Figure 36.

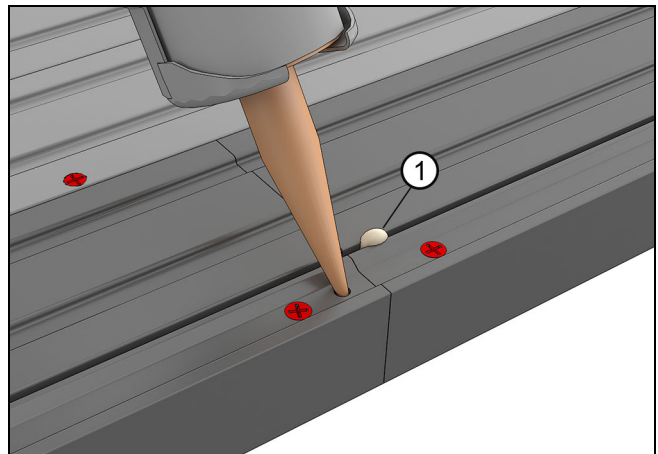


Figure 36

1	Sealant
---	---------

8. Drill pilot holes through the pre-drilled holes (found near the splice areas) using a 1/8" (3) Vix (self centering) drill bit. The depth cannot exceed 1/2" (13) deep. See Figure 37.

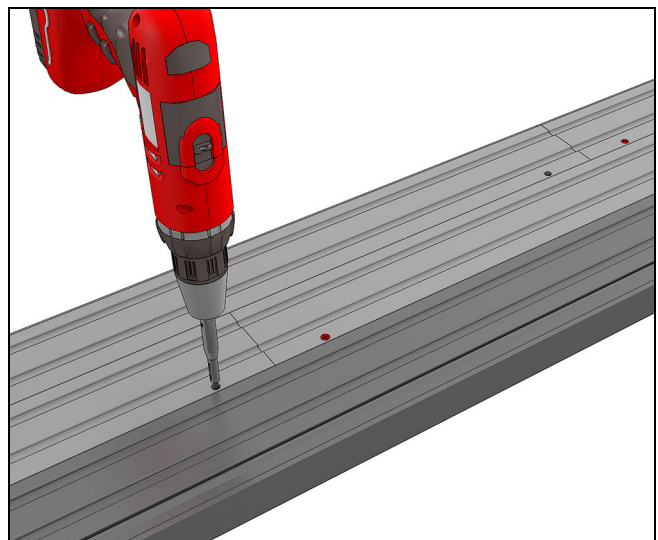


Figure 37

9. Insert #8 x 1/2" (13) screws and tighten. See Figure 38.

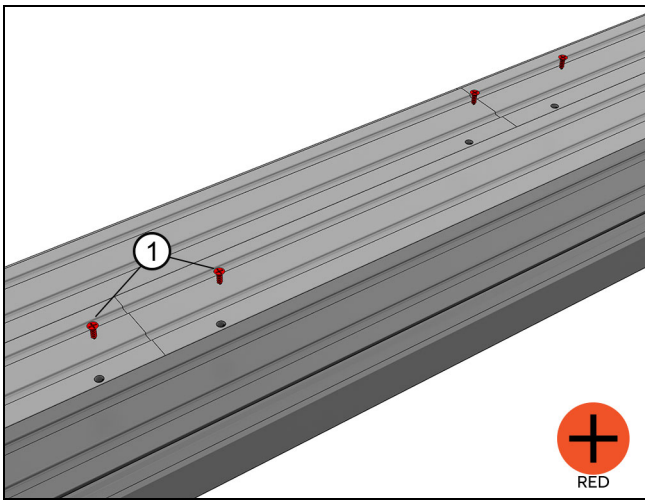


Figure 38

1	#8x 1/2" Phillips flat head screws
---	------------------------------------

10. Where required, add the frame liner, weather strip, dust blocks, and frame clips over the spliced sections. See Figure 39, Figure 40, Figure 41, and Figure 42.

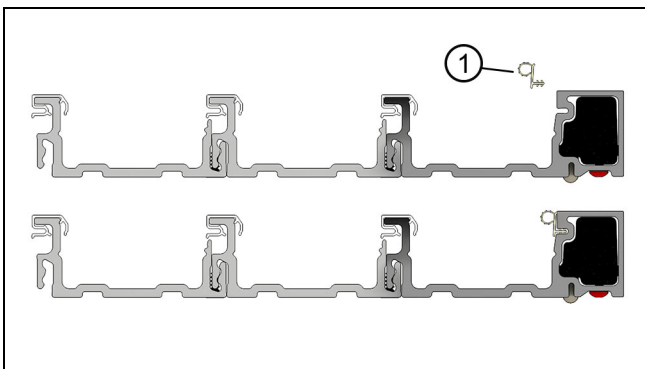


Figure 39

1	Head jamb weatherstrip
---	------------------------

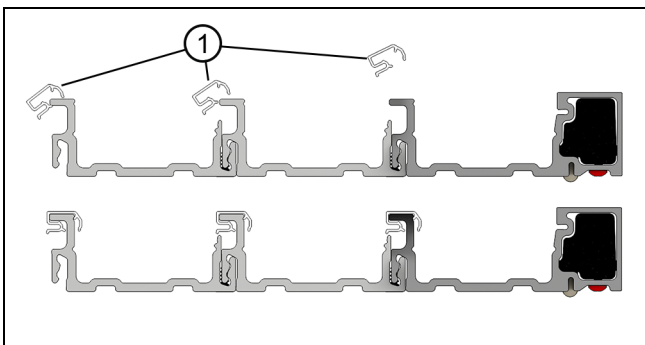


Figure 40

1	Frame clip
---	------------

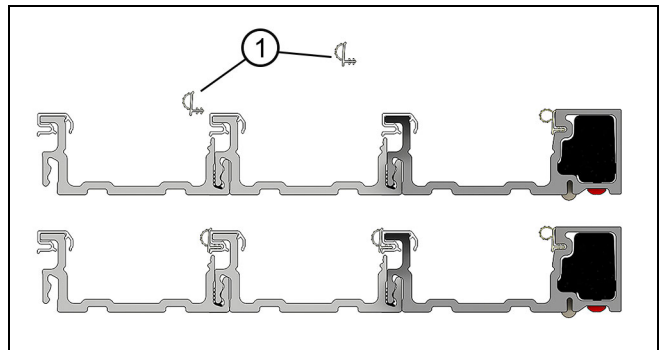


Figure 41

1	Frame weatherstrip
---	--------------------

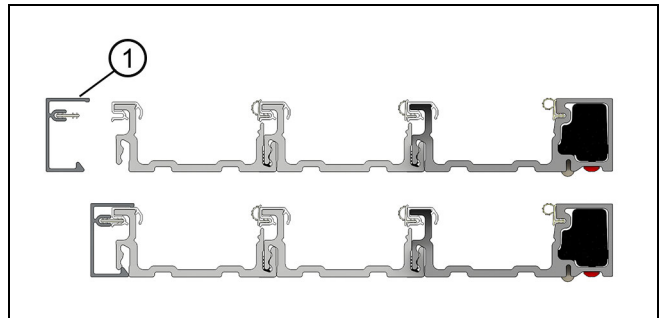


Figure 42

1	Head jamb liner
---	-----------------

11. Place dust block(s) on the frame clips approximately 7/8" (22) from the splice (on the stationary or pocket side). These will line up with the edge of the panels. See Figure 43.

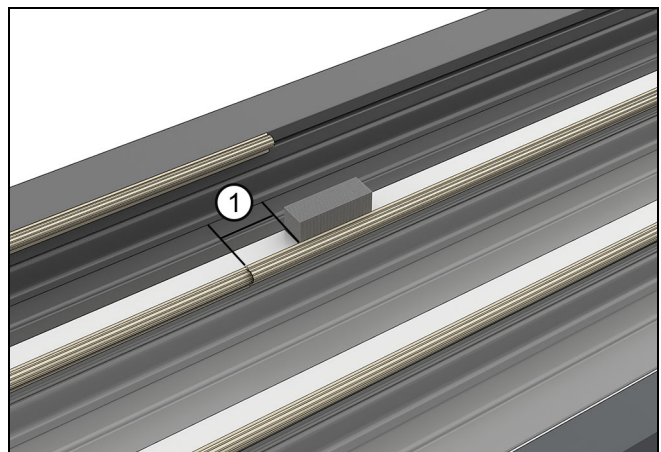


Figure 43

1	7/8" (22) from weatherstrip splice
---	------------------------------------

Assemble the Frame

⚠ CAUTION!

Wear gloves and protective clothing when handling the frame components. Some high-density fiberglass surfaces are not coated and can leave splinters in bare skin.

1. If your door is wider than 21 feet, you will need to splice your head jamb and sill components. Refer to [Splicing the Sill on page 13](#) and [Splicing the Head Jamb on page 17](#) before proceeding.

NOTE: Corner keys are pre-installed in the ends of the jambs at the factory.

2. Align the end of one side jamb with the head jamb and slide until the miter is flush. [See Figure 44](#)

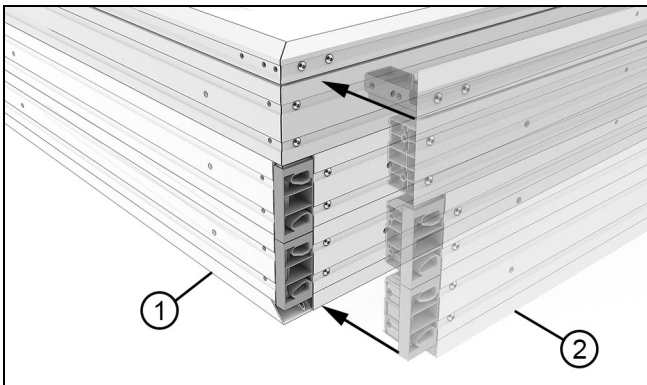


Figure 44

1	Head jamb
2	Jamb

3. Slightly loosen the exterior screws holding the key to the jamb with a T20 Torx® head bit. This will allow the key to align with the head jamb holes. [See Figure 45](#).

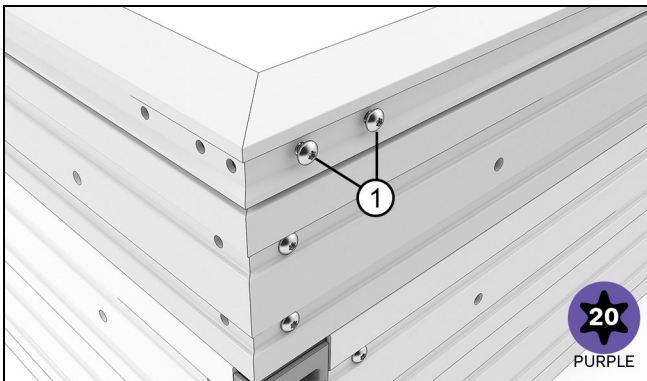


Figure 45

1	Loosen the exterior #8x 1/2" T20 screws holding key to jamb
---	---

4. Use the #8x 1/2" screws to fasten the head jamb to the key. [See Figure 46](#).

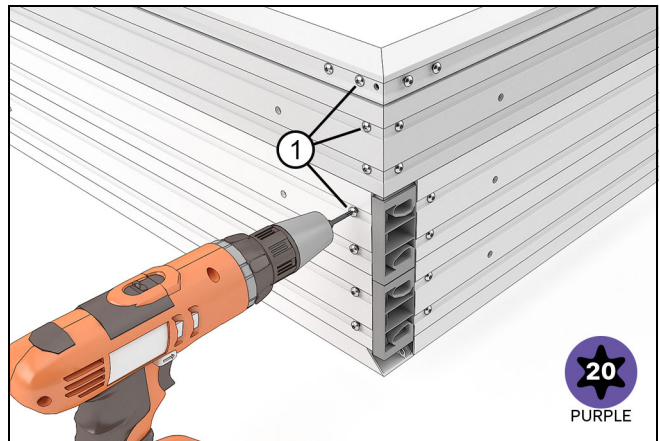


Figure 46

1	#8x1/2" T20 screws
---	--------------------

5. Tighten the jamb screws you loosened earlier. [See Figure 47](#)

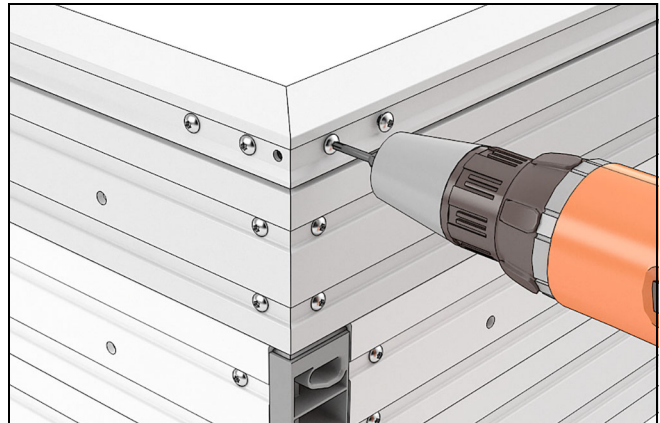


Figure 47

6. Assemble the other jamb to the head jamb assembly. [See Figure 48](#).

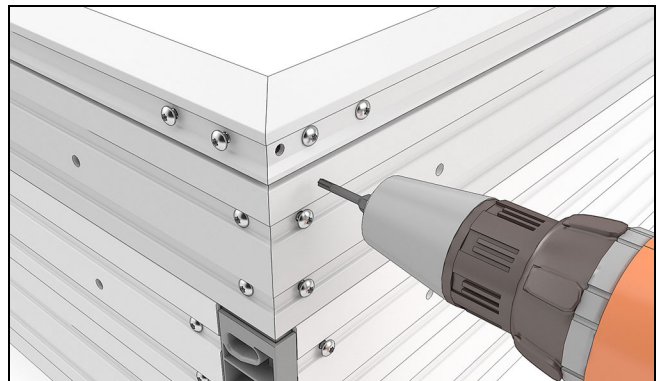


Figure 48

7. Slide the lower jamb corner keys into the sill. See [Figure 49](#).

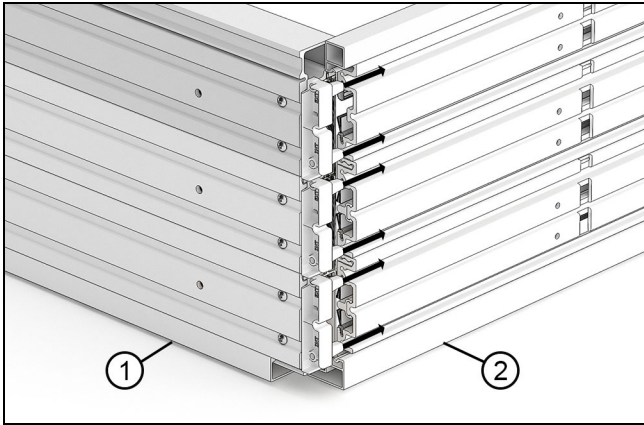


Figure 49

1	Jamb
2	Sill



On 4, 5, or 6 track systems it may be helpful to loosen some of the jamb to corner key screws to align the sill and jamb components easier.

8. Fasten with two #8x1 3/4" self drilling screws per key. See [Figure 50](#).

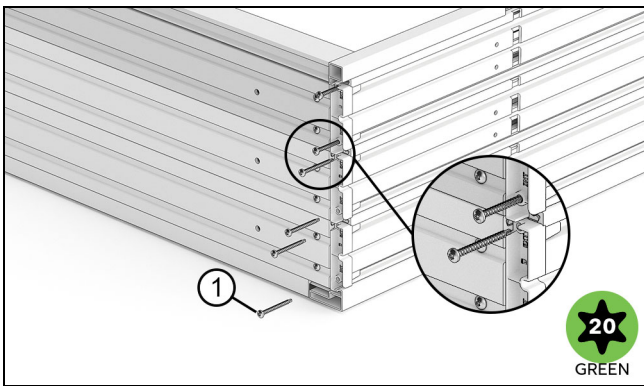


Figure 50

1	#8x1 3/4" self drilling screws (T20 Torx)
---	---

9. Inject the head jamb corner keys until there is squeeze out showing in the inspection hole. See [Figure 51](#).

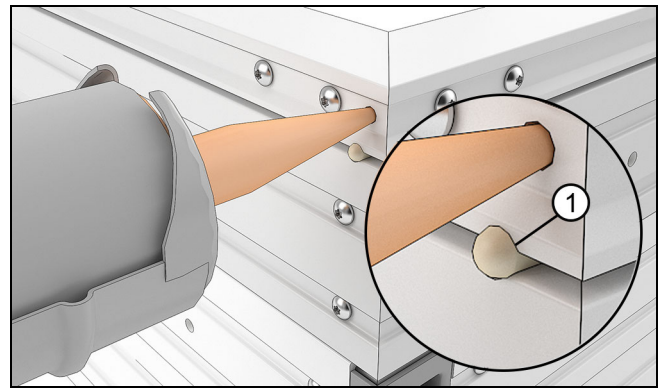


Figure 51

1	Sealant squeeze out from inspection hole
---	--

10. Remove the paper backing from the interlock gasket and apply it to the sill end of the interlock as shown. See [Figure 52](#).

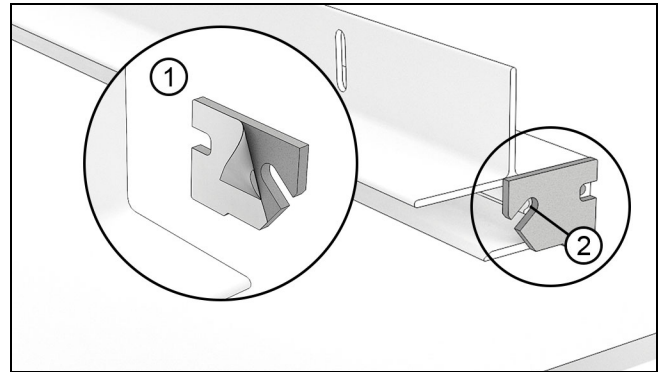


Figure 52

1	Remove backing from the gasket (view from the back side)
2	Screw boss on the pocket interlock

11. Fasten the pocket interlock to the head jamb using a #8 x 2 1/2" (6) screw through the pre-drilled hole in the head jamb. See [Figure 53](#).

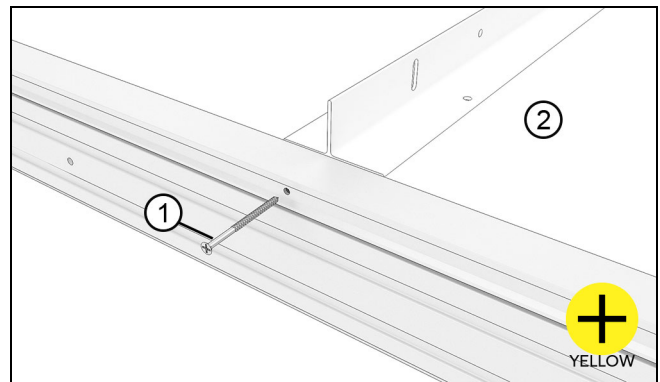


Figure 53 Fasten interlock to head jamb

1	#8x 2 1/2" 2/3 thread Phillips head screw on pocket side
2	Pocket side of interlock

12. Fasten the pocket interlock to the sill using the #8 x 2 1/2" (6) screw through the pre-drilled hole in the sill and into the screw boss on the interlock. See Figure 54.

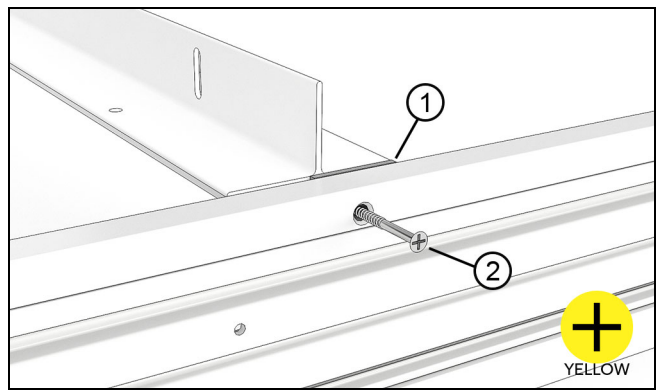


Figure 54 Fasten interlock to sill

1	interlock gasket
2	#8x 2 1/2" 2/3 thread screw

Install the Frame

IMPORTANT

It is extremely important to start with a flat level sill. If you have not remedied an out of level sill, do so now.



Seek Assistance

You will need more than one person to install the frame.

NOTE: Stackable (horseshoe) type shims are shown throughout this instruction but other shims may be used and more appropriate depending on jamb depth.

1. Stand the pocket frame upright from the inside and slide into the opening. See Figure 55.

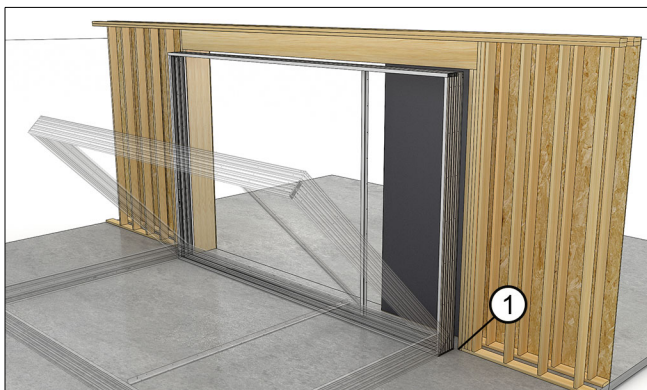


Figure 55

2. Center the frame in the rough opening and shim one corner at the bottom. See Figure 56.

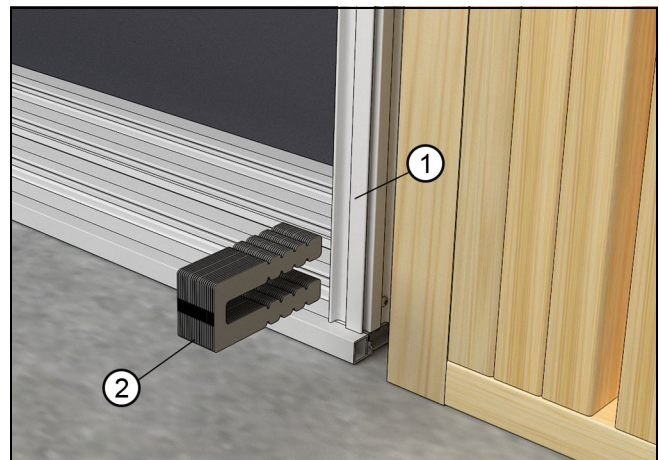


Figure 56 Center the frame and shim at pocket sill side

3. Verify that the sill is flat and level. Make adjustments as necessary. See Figure 57.

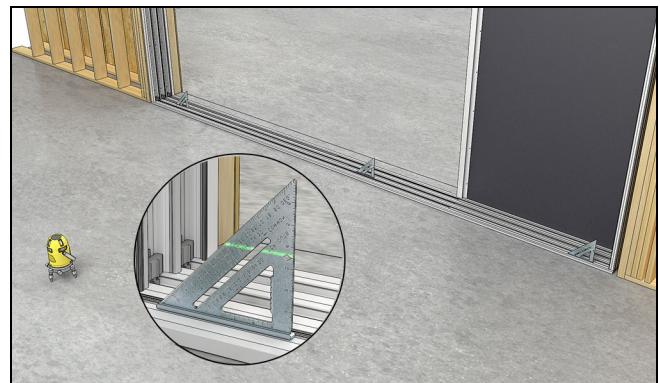


Figure 57

4. Use the chart below to determine proper fastener placement depending on configuration (number of tracks). See Figure 58.

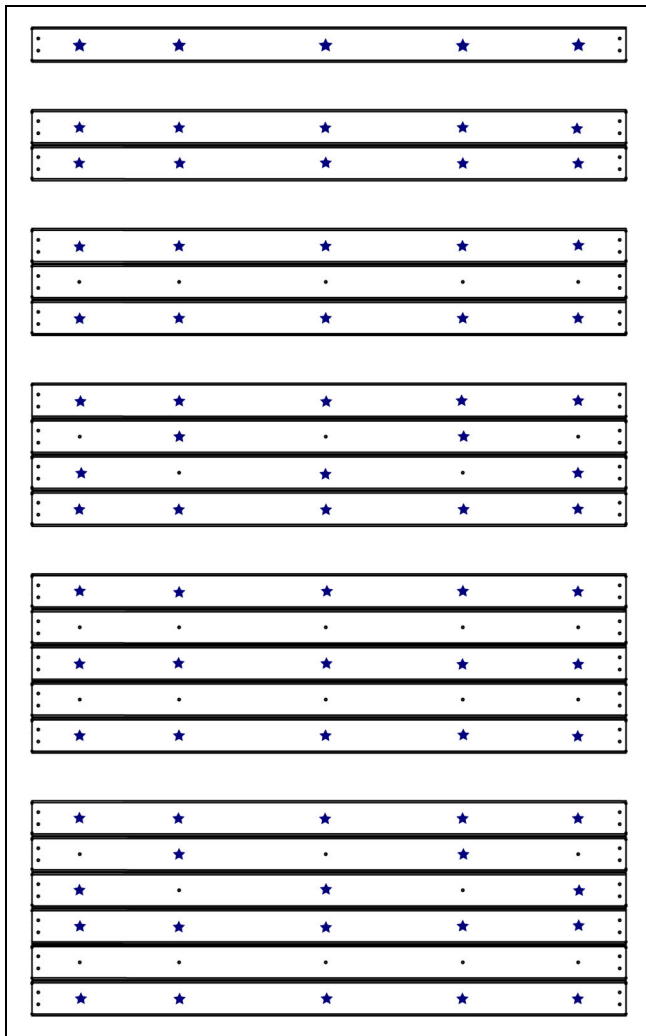


Figure 58 Place fasteners through Head Jamb, Sill, and Jamb at locations indicated by the star shapes above.

5. If you have a performance sill or flush sill, skip to [step 8 on page 24](#).

6. Position the frame to the correct depth, inject sealant and install an anchor screw in the sill near the pocket side jamb. See [Figure 59](#).

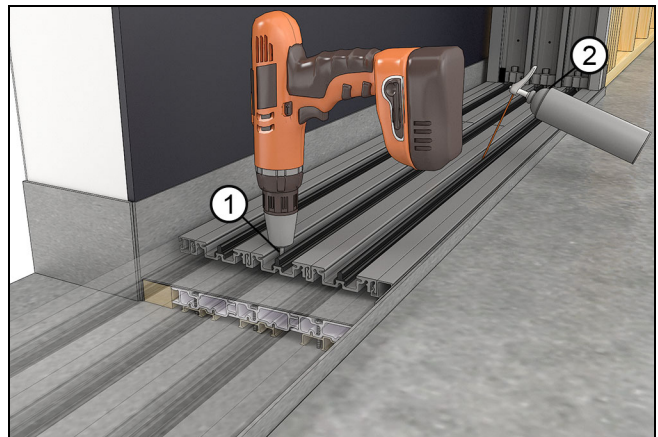


Figure 59 Drill to the sill slope and blow out with compressed air.

1	1/8" drill bit
2	Compressed air

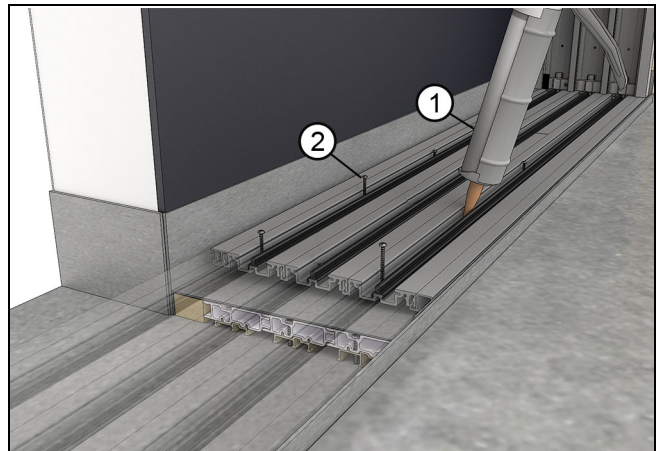


Figure 60 Seal holes and fasten.

1	Sealant
2	Fastener will vary depending on sill construction

7. Inject sealant and fasten with the #8 x 1 3/4" self drilling screws every 10" (254) (T20 Torx). See [Figure 61](#).

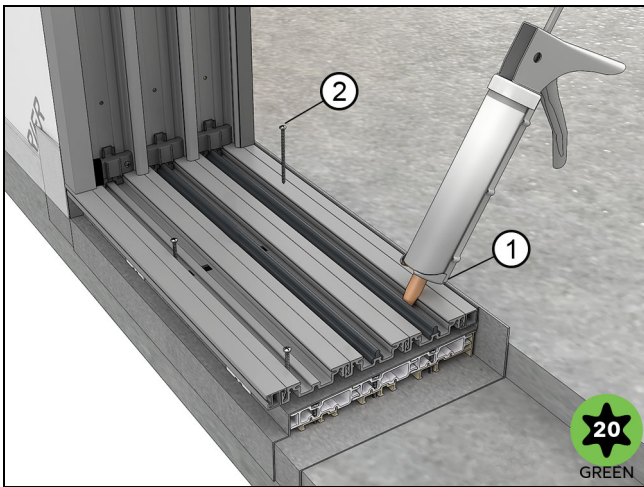


Figure 61 Seal and fasten HP sill.

1	Sealant
2	Screws

8. Position the frame to the correct depth inject sealant and install an anchor screw in the pocket side sill. [See Figure 62.](#)

NOTE: Depending on the substrate and fastener of choice, you may have to pre-drill before fastening. Follow all fastener manufacturer's recommendations.

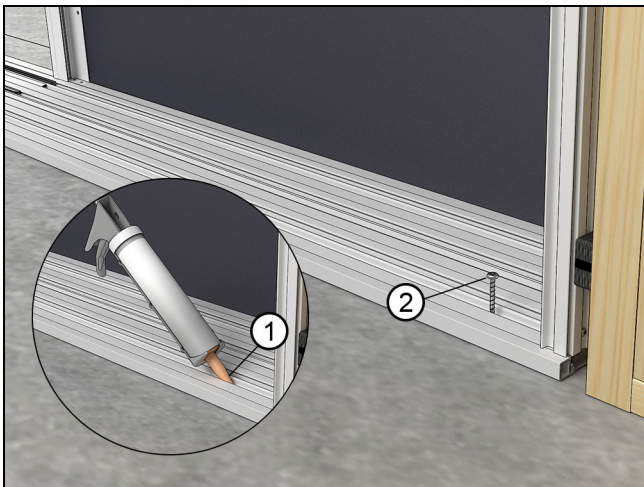


Figure 62 Fastening pocket performance sill

1	Sealant
2	Fastener will vary depending on sill construction

Squaring the Frame and Complete Fastening

Square the frame by starting with the pocket side top jamb, then move to the operating jamb, square and true the frame. Once the frame is square, plumb, and true in the opening complete fastening all round. The following steps provide more detail.

1. Square the pocket side. Use a laser level and speed square to plumb the jamb. Move the jamb left to right until square. See Figure 63.



Figure 63

1	Laser line
2	Speed square

2. Apply shims and adjust, then fasten through the pocket jamb side near the top with a #10 x 3" (76) Torx (T20) screw provided. See Figure 64.

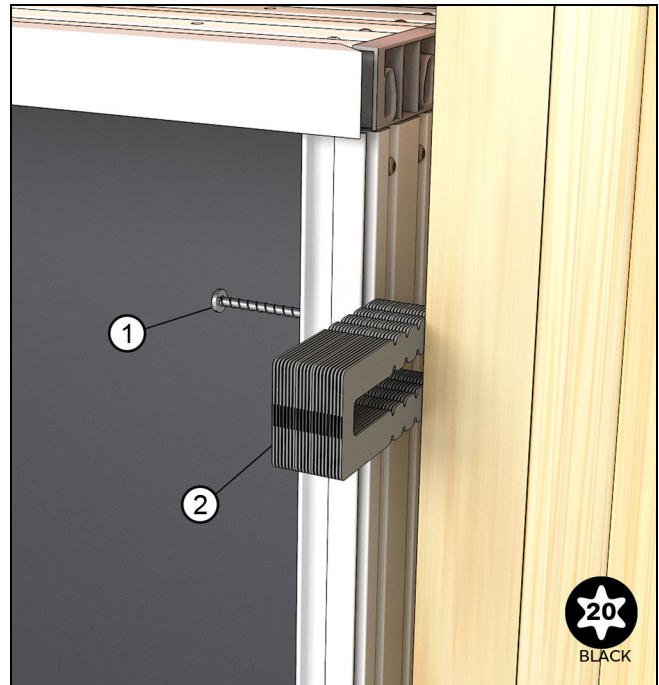


Figure 64

1	#10 x 3" T-20 Torx Installation Screw
2	Stackable shim

3. **Plumb and true the frame** so that it is aligned on the same plane. Move to the operator or opposite side and apply shims and adjust, then fasten through the operator (or opposite) jamb side near the top with a #10 x 3" (76) Torx (T20) screw provided. See Figure 65 and Figure 66.



Figure 65

1	Shim
2	#10x3" flathead Torx screw (T20)



Figure 66 Make sure the entire frame is on the same plane and not twisted.



Hint

One way to plumb and true the frame is to attach crossing strings to the corners of the door diagonally. With the stationary side pinned in place, adjust the opposite side until the strings touch.

4. Shim and fasten the pocket interlock to the edge of the exterior framing and the inside surface of the exterior framing with #10 x 3" (76) installation screws. Make sure the interlock is plumb and not twisted in the opening. See [Figure 67](#).

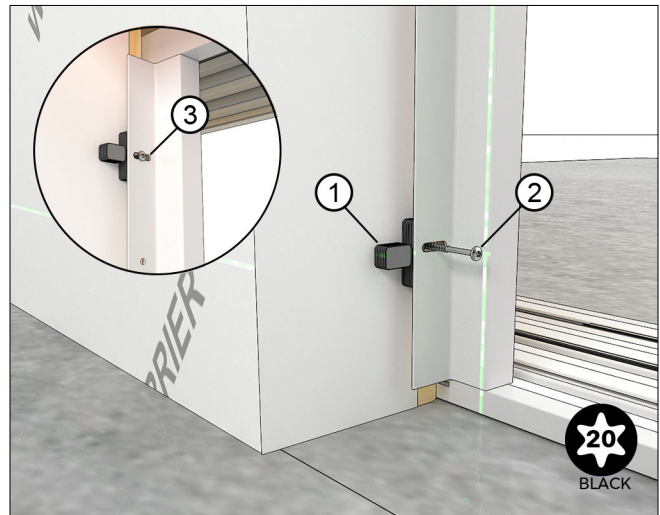


Figure 67 Attach interlock plumb to framing.

1	Shims (horseshoe type shown)
2	Installation screw
3	Shims and screw at top

5. From the interior, attach the interlock to the blackout panel and framing with #10 x 3" (64) T-20 Torx installation screws provided. [Figure 68](#).

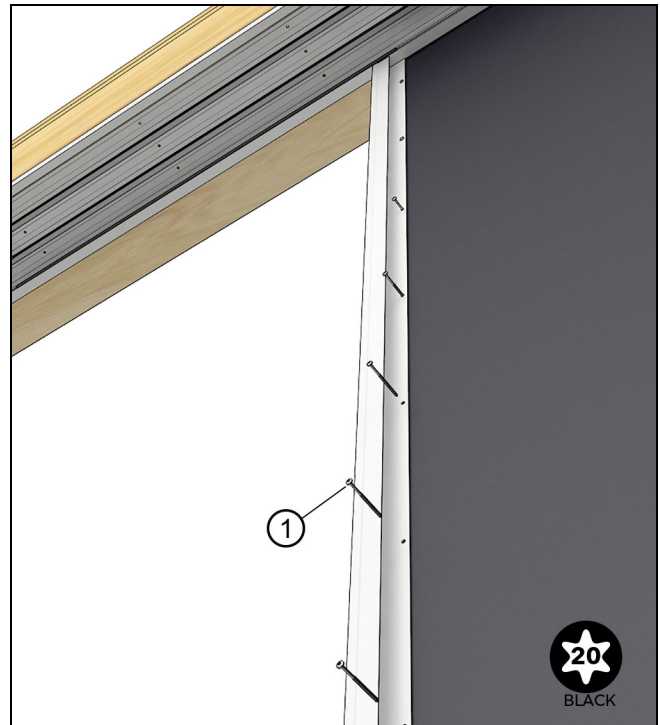


Figure 68

6. Starting at the center, shim and fasten the head jamb with #10 x 3" (76) screws so that a story pole stays in light contact with the sill and head jamb. Repeat this process the entire width. See [Figure 69](#) and [Figure 70](#).

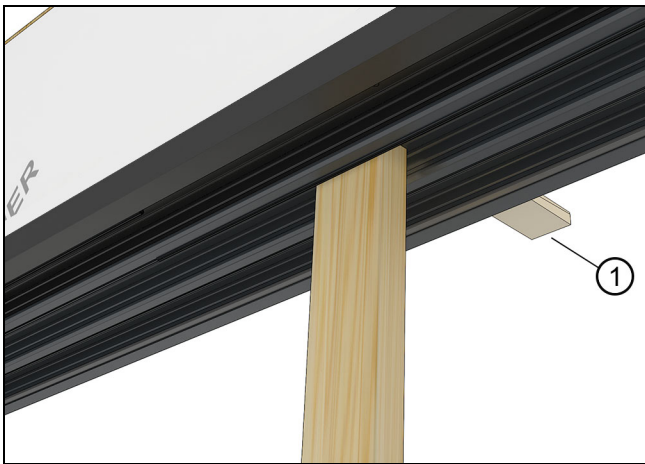


Figure 69

1	Shim
---	------

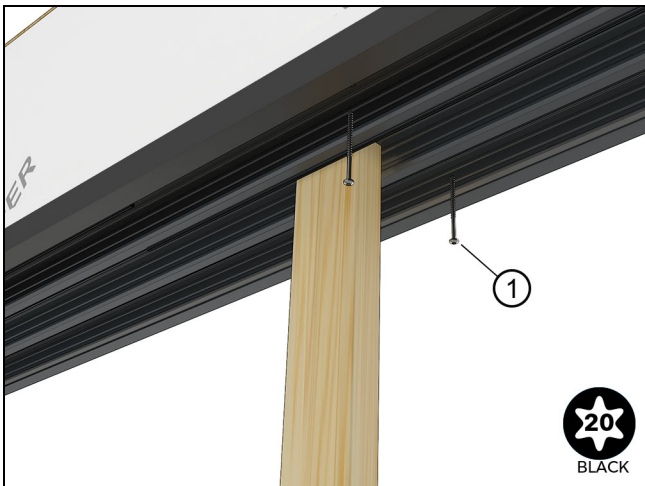


Figure 70

1	#10 x 3" installation screws
---	------------------------------

7. On bi-parting units, fasten the flush bolt strike through the pre-drilled holes near the center of the head jamb using #10x3" (64) screws. Make sure there is adequate shimming between the RO and the head jamb at the location of the strike. See Figure 71 and Figure 72.

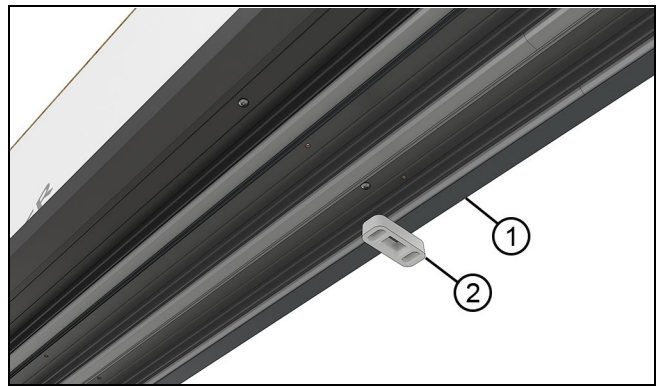


Figure 71

1	Interior
2	Flush bolt strike

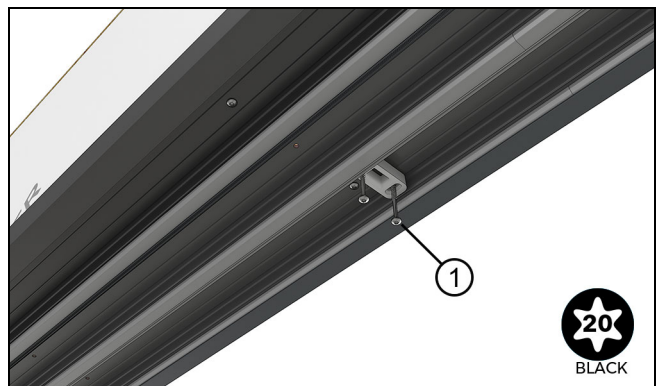


Figure 72

1	#10x3" Torx (T20)
---	-------------------

8. Install the remaining screws into the sill. (not provided on performance or flush sills). Fasten HP sills at 10" (254) on center. All other sills, fasten at 20" (508). See Figure 73. See Figure 58 previously for screw placement.

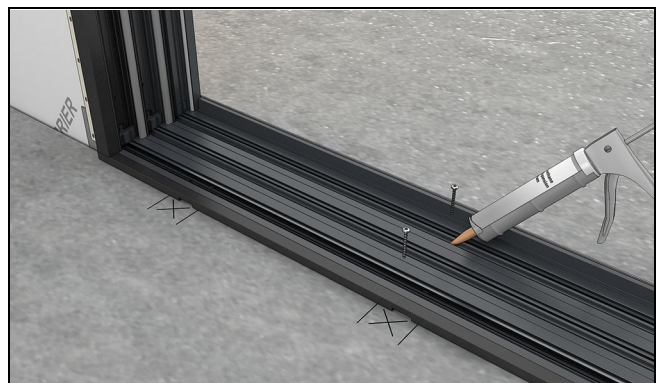


Figure 73

9. Complete fastening and shimming through additional fastener holes in the jamb. See Figure 74.

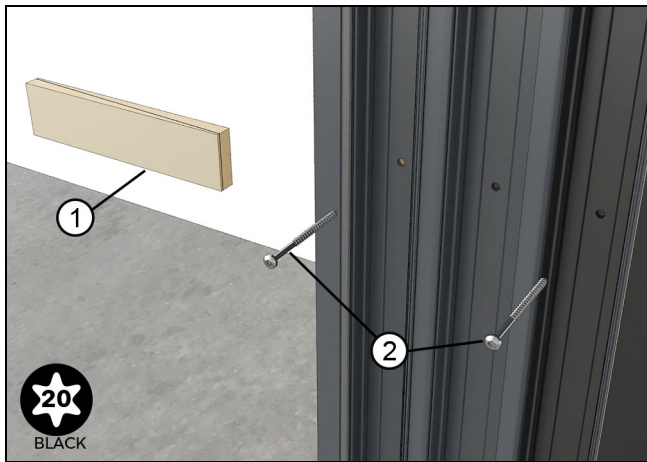


Figure 74

10. On uni-directional units, install the jamb filler with strike attached. The filler will snap into place, engaging with the top and bottom corner keys. See Figure 75.

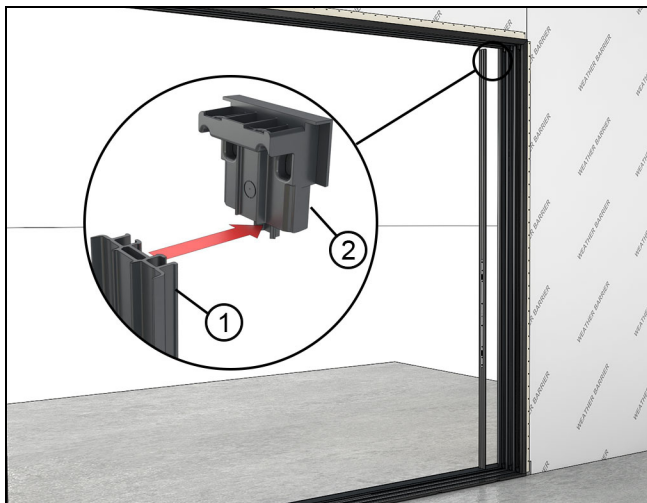


Figure 75

1	Jamb filler
2	Frame corner key (frame not shown in inset)

11. On uni-directional units, pre-drill through the open holes in the strike plate (above and below each strike) with a 3/16" (5) drill bit. See Figure 76.



Figure 76

1	3/16" (5) drill bit
---	---------------------

12. Shim and fasten with #8x3" (76) screws provided. See Figure 77.

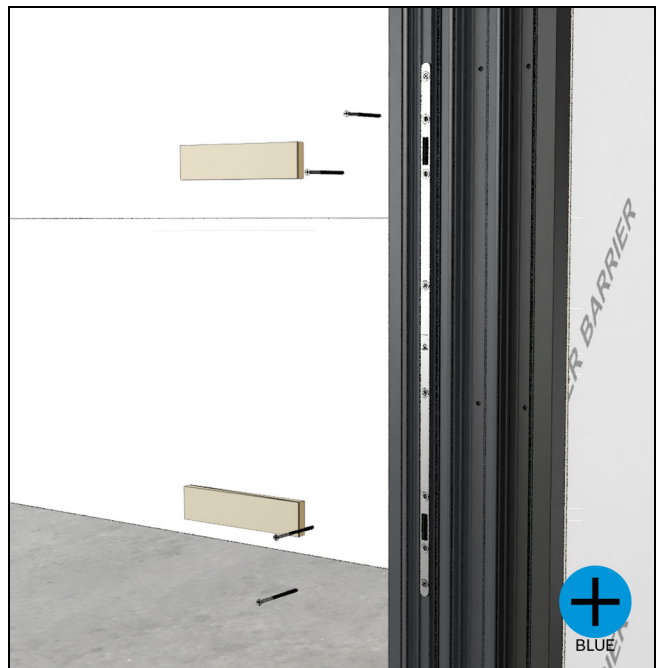


Figure 77

13. On uni-directional locking jambs, apply a dust block at the top of the interior track behind the bulb weather strip. Position the block so it is centered between the joint on the head jamb and jamb weather strips. See Figure 78.

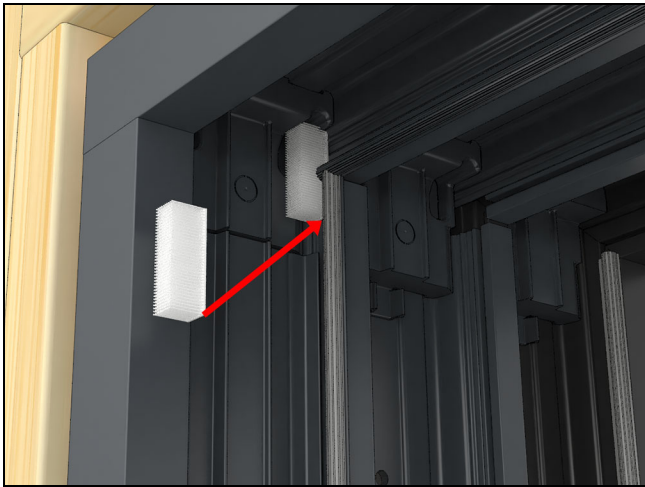


Figure 78

14. Place another dust block at the bottom of the jamb behind the jamb weather strip. See Figure 79.

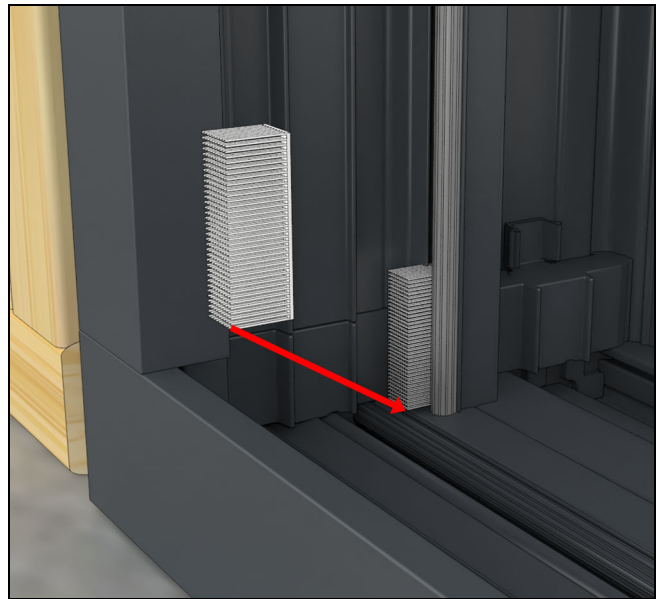


Figure 79

Prep the Panels

1. On pocket and secondary panels, fasten the cover retainer to the top of the stiles with a #8x 1 3/4" (44) Phillips head screw. Slide the cover over the retainer. See Figure 80.

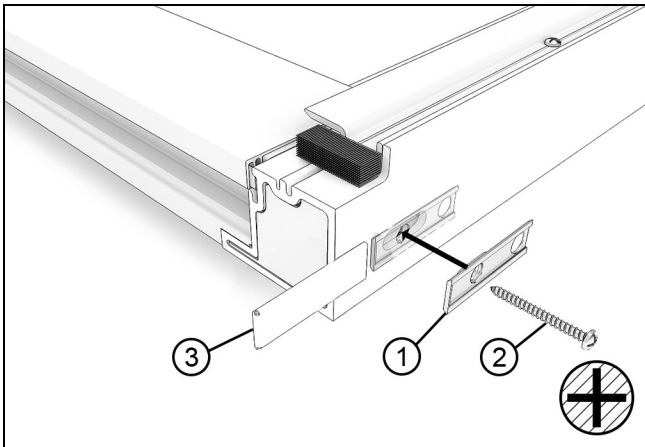


Figure 80

1	Stile hole cover retainer
2	#8x 1 3/4" Phillips head screw
3	Stile hole cover

2. On pocket and secondary panels, fasten the bottom stile cover retainer to the bottom of the stile with a #8x 1 3/4" (44) Phillips head screw. Slide the cover over the bracket. See Figure 81.

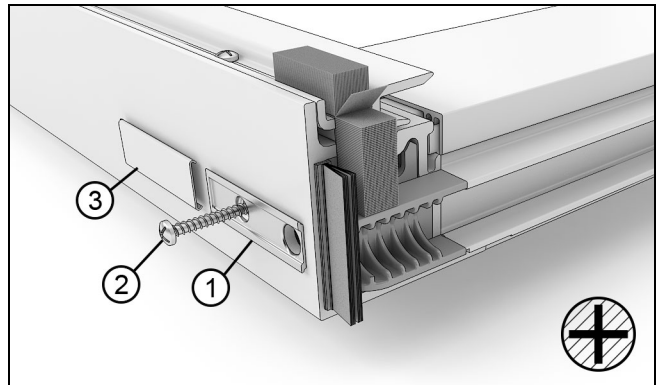


Figure 81 Non-Primary panels

1	Cover retainer
2	#8 x 1 3/4" Phillips head screw
3	Cover

Panel Installation

ATTENTION

Panels with Flush and High Performance sills can be installed from either the exterior or interior. Panels with Performance Sills can only be installed from the exterior. The following steps show an exterior installation. Reverse the panel order if you are installing from the interior.

WARNING!

LIFT HAZARD! Do NOT lift or move without proper equipment. Read, understand, and follow all lift equipment manufacturers' instructions and safety information.

NOTE: Pocket panels on XP and PX configuration doors can only be installed from the interior. Pocket panels on configurations with a performance sill must be installed from the exterior.

Panel Installation-Exterior

1. Install the primary operating panels or inactive panels first. Lift the top of the panel into the interior most head jamb track. Then swing the bottom over the sill track until centered over the roller guide. Set the panel gently onto the guide. [See Figure 82.](#)

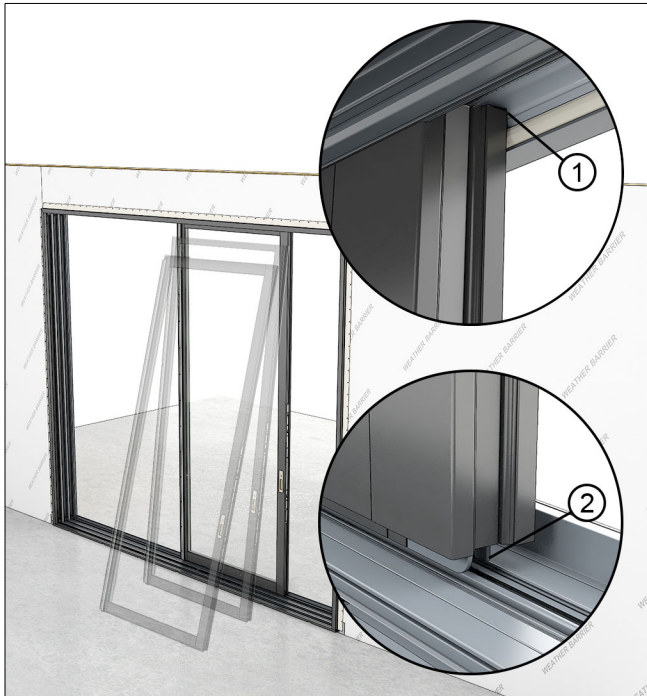


Figure 82

1	Lift the panel into the head jamb
2	Set the sill on the track

2. Install the secondary operating panels next. Make sure each panel overlaps the previously installed panel so that the interlocks can engage with one another. [See Figure 83.](#)



Figure 83

3. Install the pocket panel next. See [Figure 84](#).

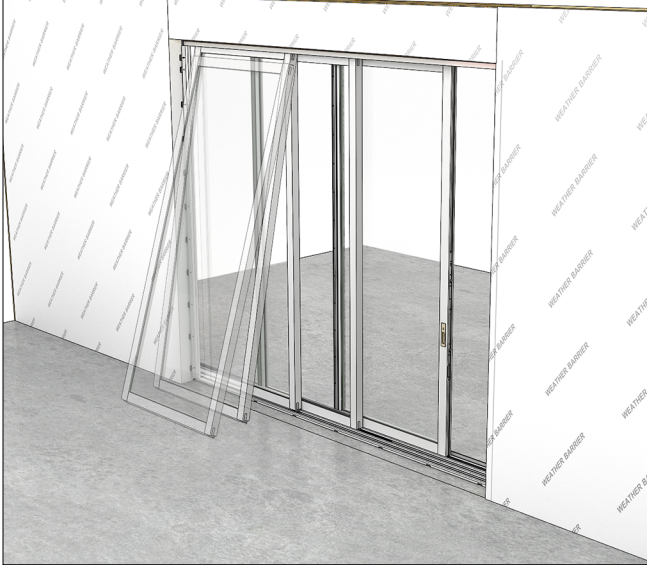


Figure 84 Pocket Panel (exterior installation)

4. Test all the operating panels to make sure they lock and operate smoothly, adjust rollers if necessary.

NOTE: See the section [Adjusting Panels on page 32](#) for details on adjusting rollers and panels.

Panel Installation-Interior

1. Install the pocket panel first. Lift the top of the panel into the exterior most head jamb track. Then swing the bottom over the sill track until centered over the roller guide. Set the panel gently onto the guidetrack. See [Figure 85](#)

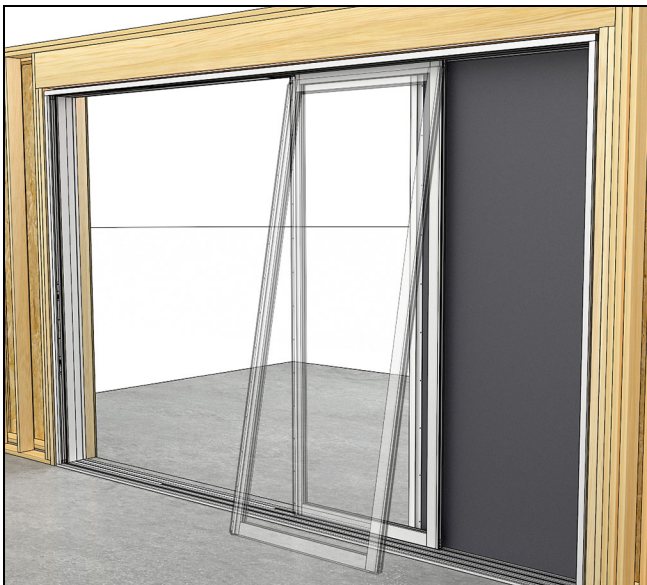


Figure 85 Pocket Panel (interior installation)

2. Install the secondary operating panels next. Make sure each panel overlaps the previously installed panel so that the interlocks can engage with one another. See [Figure 86](#)



Figure 86 Install secondary operating panel

3. Install the primary operating panels last. Make sure each panel overlaps the previously installed panel so that the interlocks can engage with one another. See [Figure 87](#)

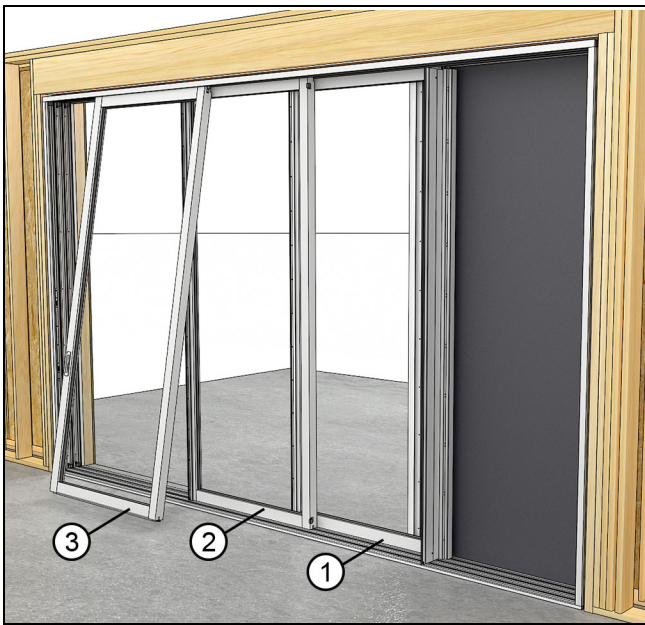


Figure 87

1	Pocket panel
2	Secondary operating panel
3	Primary operating panel

Adjusting Panels

1. Move the operator panel toward the locking jamb until there is a slight gap. Check for an even reveal/gap between the panel and the jamb. [See Figure 88.](#)

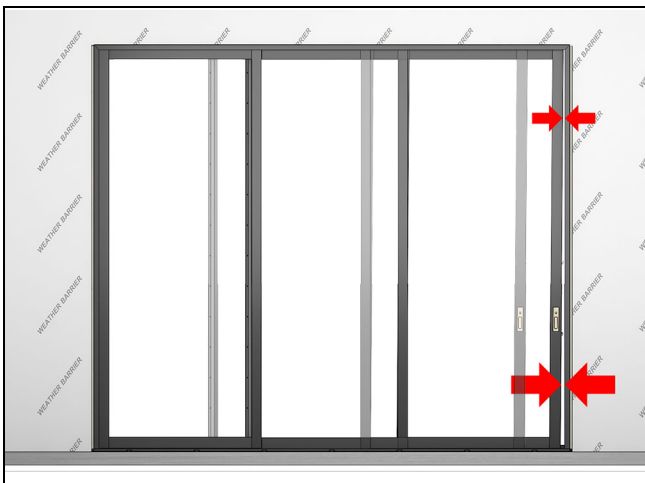


Figure 88

2. Place a block of wood on the sill and pry the panel up to relieve the weight off the rollers. [See Figure 89.](#)

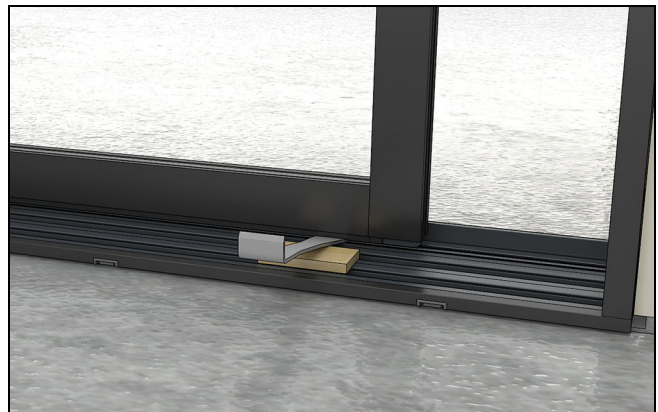


Figure 89

3. Remove the locking stile roller adjustment hole cover. [See Figure 90.](#)

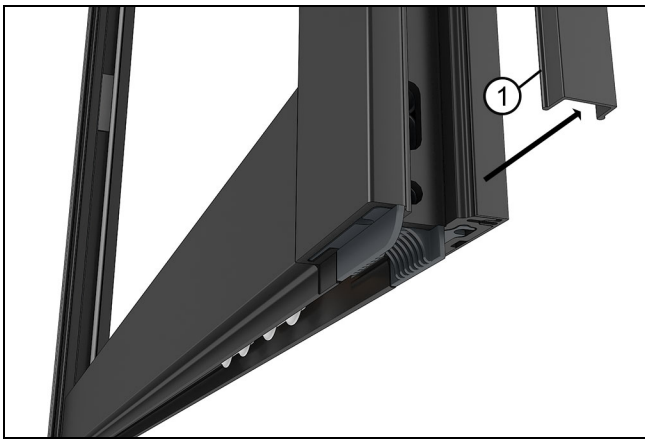


Figure 90

1	operator stile roller hole cover
---	----------------------------------

4. On inactive panels meeting stile side, pry the lower plug and dust cover down to reveal the adjustment hole. See Figure 91.

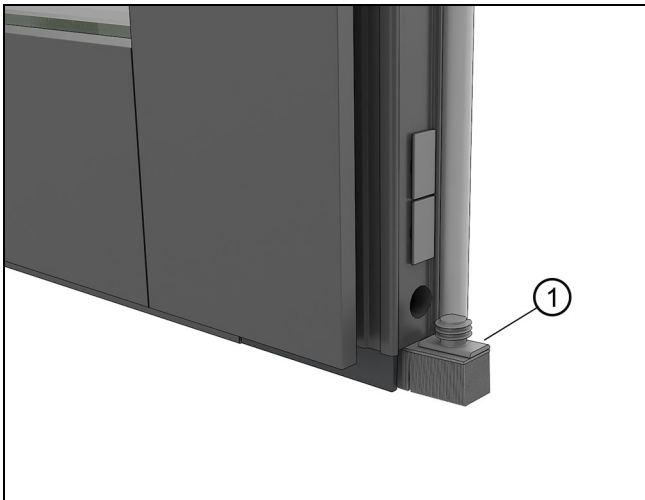


Figure 91

5. Insert a 5mm hex wrench into the adjustment hole(s) and raise or lower the rollers accordingly. Rotate the adjustment screw clockwise to raise the panels. See Figure 92 and Figure 93.

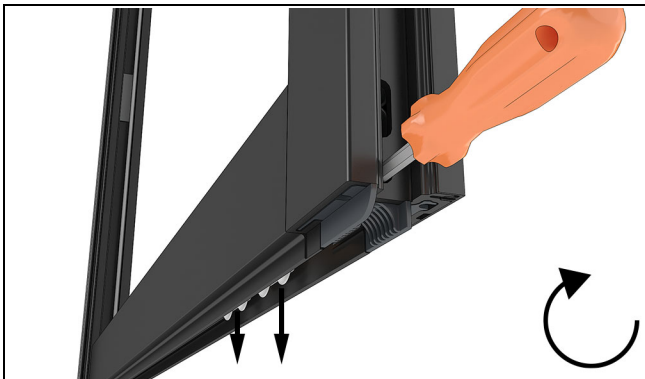


Figure 92

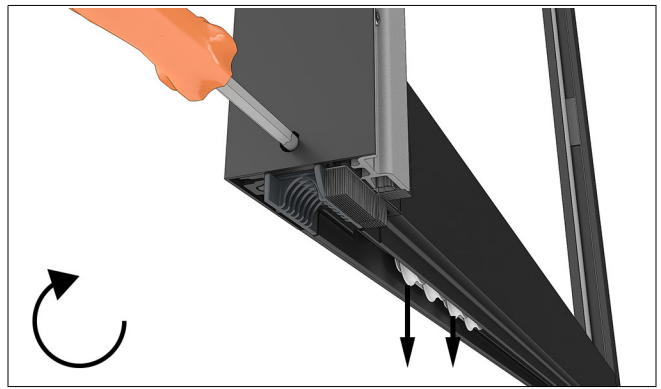


Figure 93

6. Recheck for an even reveal and repeat the previous steps if necessary. See Figure 94.

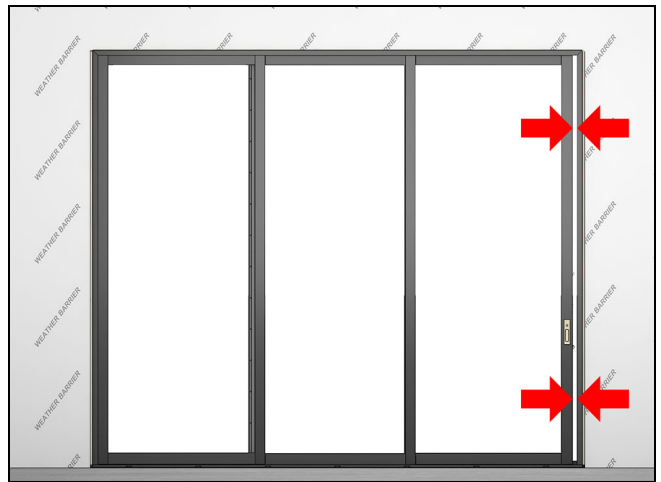


Figure 94

7. With the primary panel open slightly, move the secondary panel until you can see daylight through the glass between the stiles. Check for an even reveal and adjust the rollers on the secondary panel. Repeat as necessary for every secondary panel. See Figure 95.

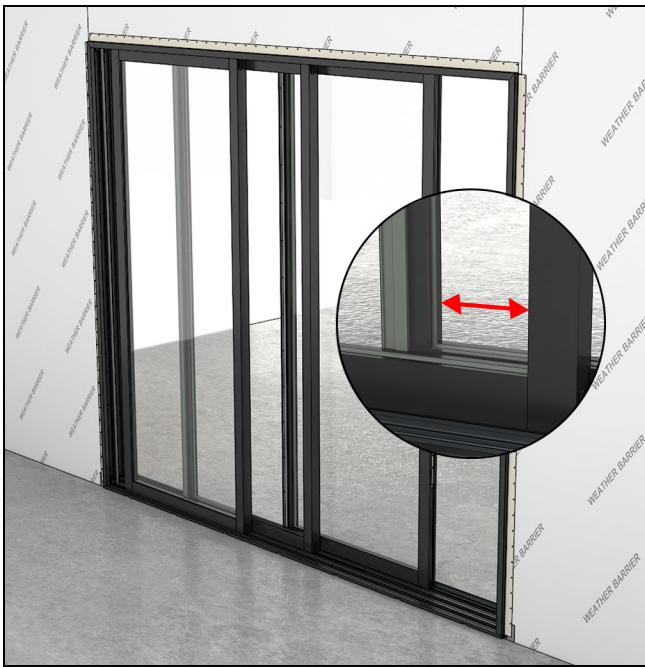


Figure 95

8. Lock the primary panel and make sure the interlocks between the primary and secondary panel engage properly. See Figure 96.



Figure 96 Interior View: Close and lock primary panel

9. Insert hole plugs after you are done adjusting panels.

Pocket Panel-Support Blocks and Covers

1. Attach pocket support block to the stile of the pocket panel. Fasten through the pre-drilled holes in the top and bottom with the #8 x 1 3/4" (44) self drilling screws. (Bag with the green dot). Make sure the support block is flush to the bottom of the panel. See Figure 97 and Figure 98.

IMPORTANT

Do not use an impact driver when fastening the pocket support block.

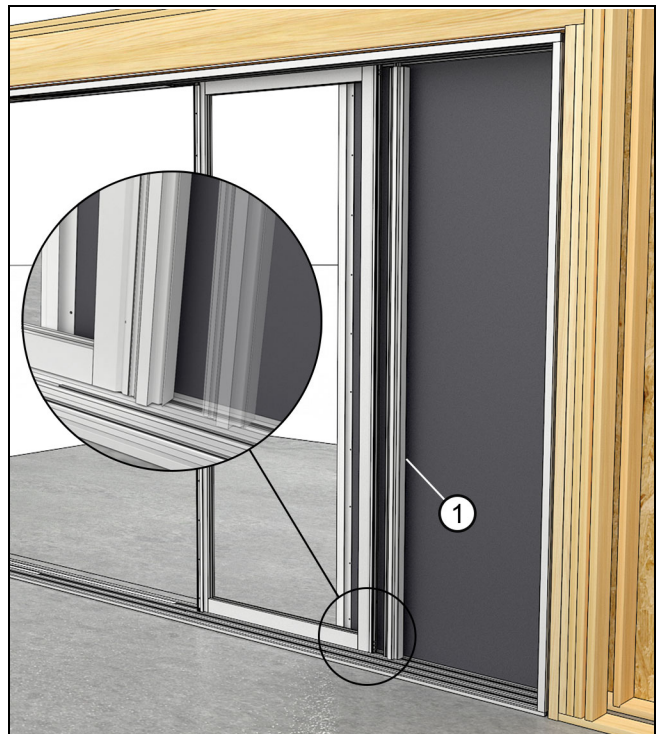


Figure 97

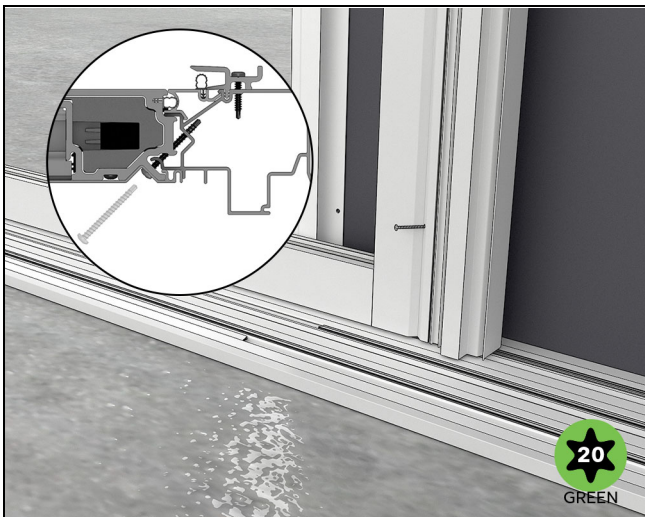


Figure 98

2. Use the existing screw holes in the middle as a guide to pre-drill into the second wall of the pocket support block with a 1/8" (3), then fasten with screws used earlier. See Figure 99.



Figure 99

3. Attach the pocket cover assembly to the pocket support block at the top and bottom with the #8 x 1 3/4" (44) self drilling screws. See Figure 100.

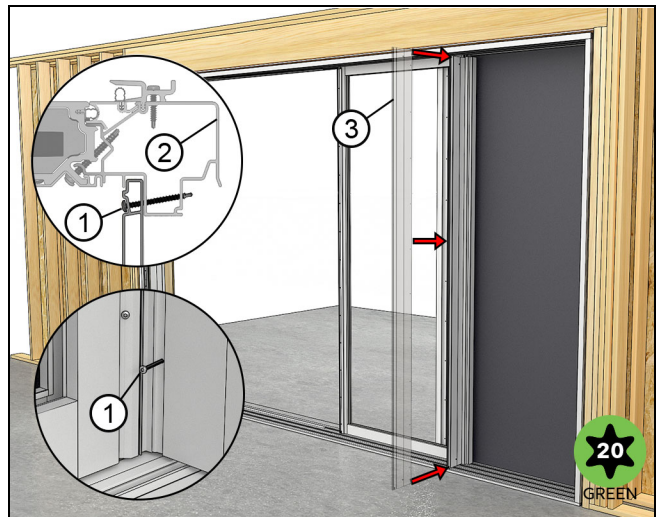


Figure 100

1	Screw
2	Pocket support block
3	Pocket cover

4. Use the existing holes in the middle of the pocket cover as a guide to drill through cover and support block with a 1/8" drill bit. Fasten with the same screws you used earlier at the top and bottom. See Figure 101.

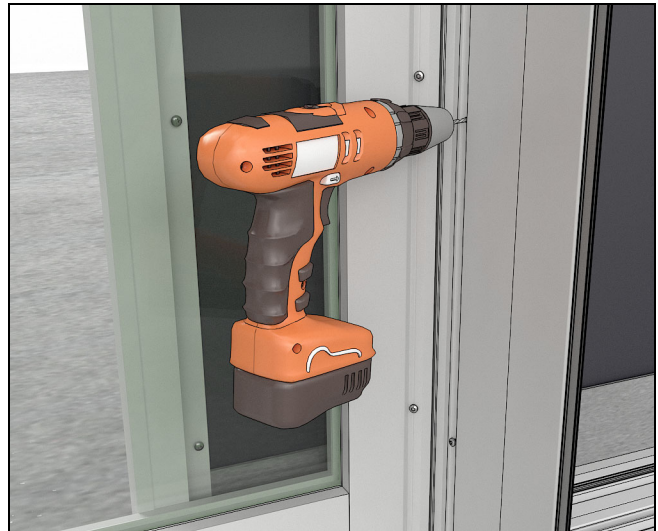


Figure 101

5. Attach the pocket cover trim piece. The trim is barbed into the pocket panel and covers the screws fastening the components to one another. See Figure 102.

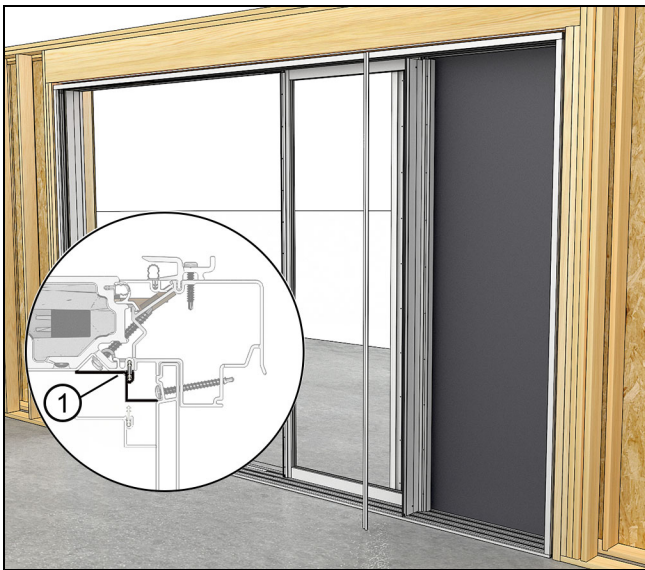


Figure 102

1	A3291 pocket cover trim (two or more tracks)
---	--

6. Insert a pocket cover bumper at the top and bottom of the pocket cover trim piece. Squeeze the rubber bumper and insert in to the pre-drilled holes. See [Figure 103](#).

NOTE: 1/8" bumper is used on 2 track units, 1/2" bumper used on units with 3 tracks or more.

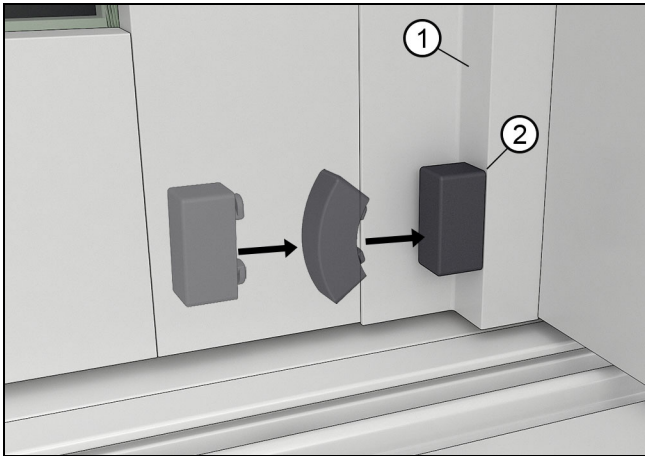


Figure 103

1	Pocket cover trim
2	Pocket cover bumper

7. On pocket doors with **4 or more tracks**, attach the pocket cover support bracket to the pocket cover. Slide the flat end into the recess on the pocket support block and then fasten to the pocket cover with two #8x 5/16" (11) self drilling screws provided. See [Figure 104](#).

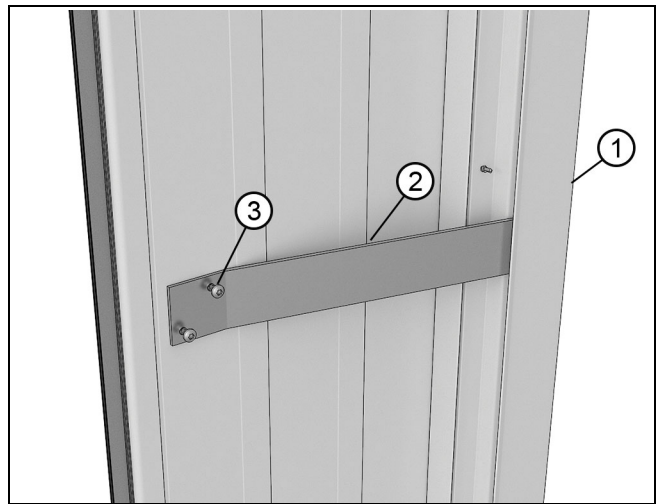


Figure 104

Install Sill Frame Covers

1. Where a cover meets a panel, insert a sill drain filter in the end of the cover before installing it in the sill. See [Figure 105](#).

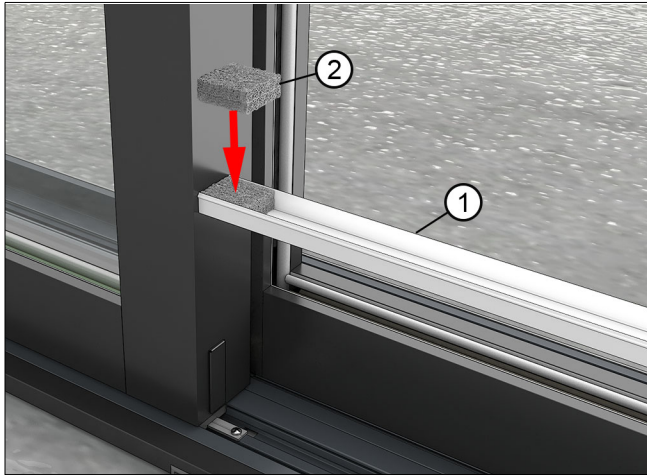


Figure 105 Uni-directional shown

1	Sill cover
2	Sill drain filter

2. Start with the panels closed and locked. The sill covers fit between the pocket panel or secondary panels on the exterior and the jambs. Seat the cover with a rubber mallet. The cover will fit slightly under the stationary panel. See [Figure 106](#), [Figure 107](#) and [Figure 108](#).

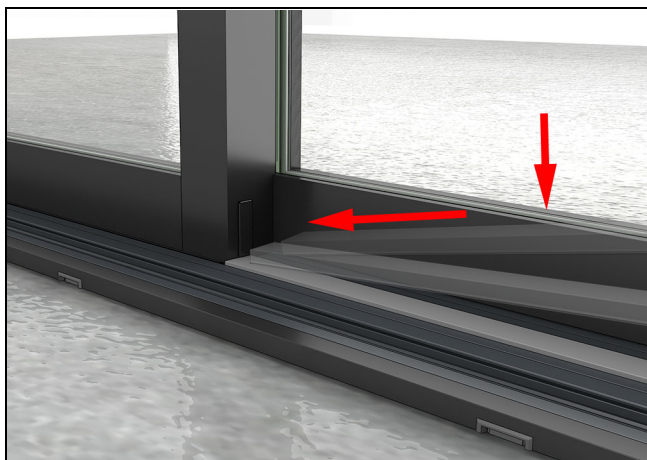


Figure 106

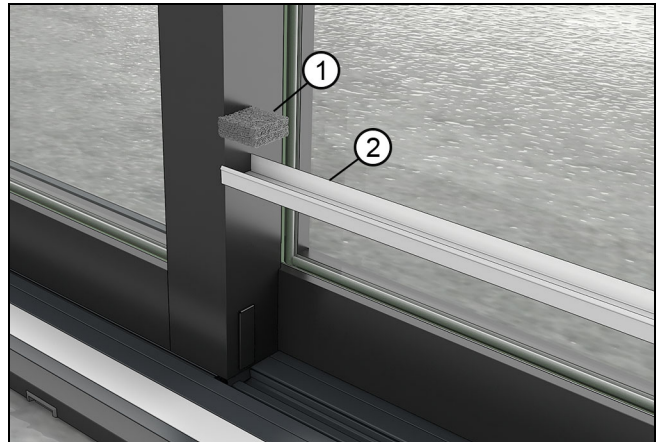


Figure 107

1	Sill drain filter
2	Sill cover (between secondary panel and locking jamb)

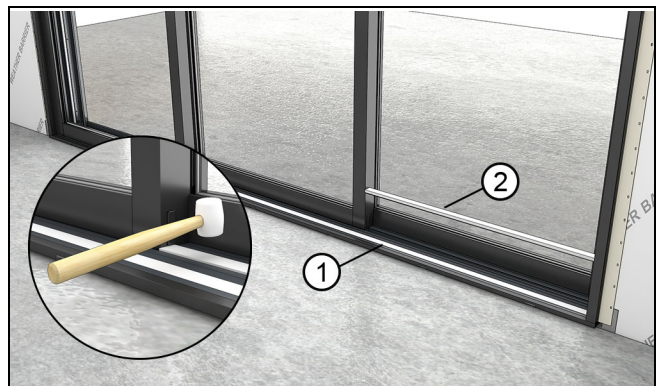


Figure 108

1	Cover between pocket panel and locking jamb
2	Cover between secondary panel and locking jamb

Install Head Jamb Frame Covers

1. With all the panels closed, squeeze and insert a head jamb gasket adhesive side up into the head jamb track. Position the gasket flush with the panel(s). See [Figure 109](#).

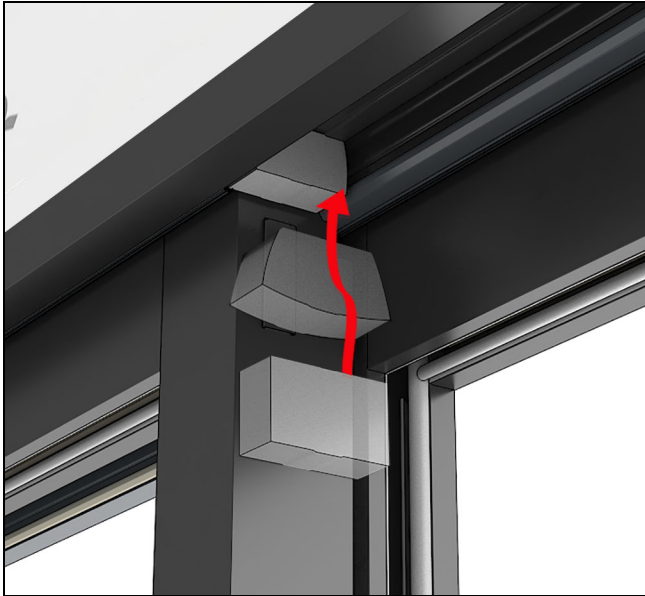


Figure 109 Exterior

2. Starting from the exterior, install the head jamb covers. The covers have a leg that fits into a kerf on the jamb weather strip or a kerf in the frame itself. Fit the leg on the cover into the kerf on the jamb and rotate the cover into place. You may need to seat the cover with a rubber mallet. See [Figure 110](#), [Figure 111](#), and [Figure 112](#).



Figure 110 Exterior frame covers

1	Stationary panel
2	Secondary panel
3	Head Jamb frame cover



Figure 111

1	Head jamb gasket
2	Head jamb cover

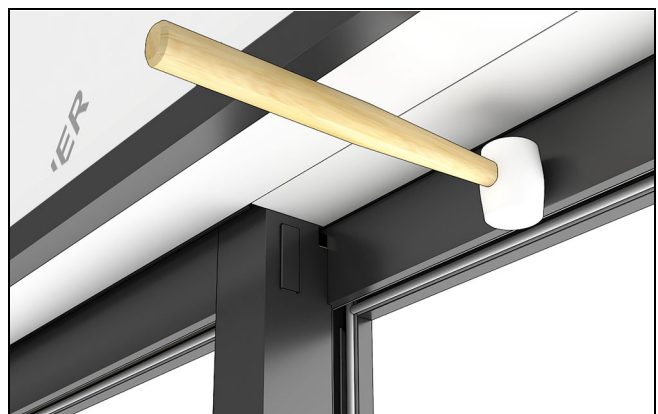


Figure 112

Install Jamb Frame Covers

1. Install the exterior locking jamb covers. The covers have a leg that fits into a kerf on the jamb kerf in the frame. Fit the leg on the cover into the kerf on the jamb and rotate the cover into place. You may need to seat the cover with a rubber mallet. See Figure 113.



Figure 113

Install Panel Bumpers

1. On secondary panels, fasten panel bumpers to the interior meeting stile at the top and bottom with #10 x 1 1/2" Phillips head screws. See Figure 114 and Figure 115.

NOTE: Bumpers with a "1" embossed in the back are used on secondary panels where they meet primary panels. Bumpers with a "2" embossed into the back of the bracket are used on secondary panels where they meet other secondary panels.

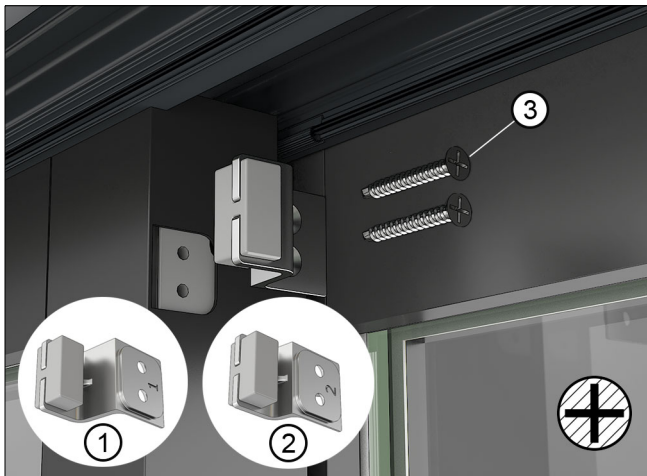


Figure 114 Top secondary panel bumper

1	Bumper used on secondary to primary
2	Bumper used on secondary to secondary
3	#10 x 1 1/2" Phillips head screw

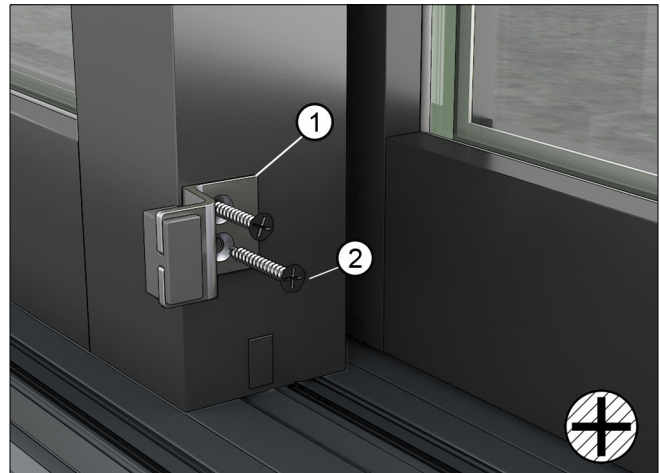


Figure 115 Bottom secondary panel bumper

1	Secondary panel bumper
2	#10 x 1 1/2" Phillips head screw

Install Pocket Bumpers

1. Install the pocket bumpers on the exterior most jamb track through the top and bottom installation holes using #8x 3" (64) installation screws. If the installation screws are already in place, remove and insert the bumper using the same screw. See Figure 116 and Figure 117.

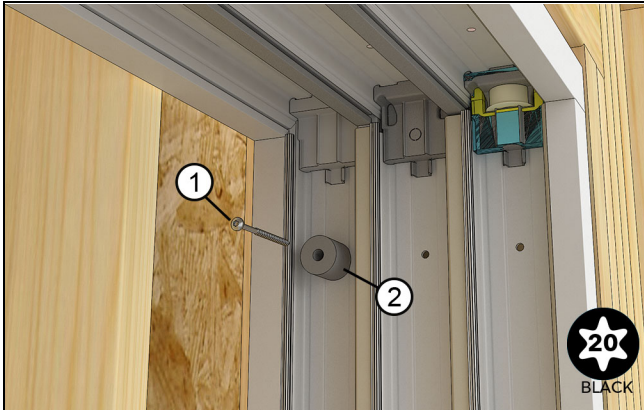


Figure 116 Pocket bumper at head jamb exterior track

1	#10x3" Torx (T20) installation screw
2	Pocket bumper

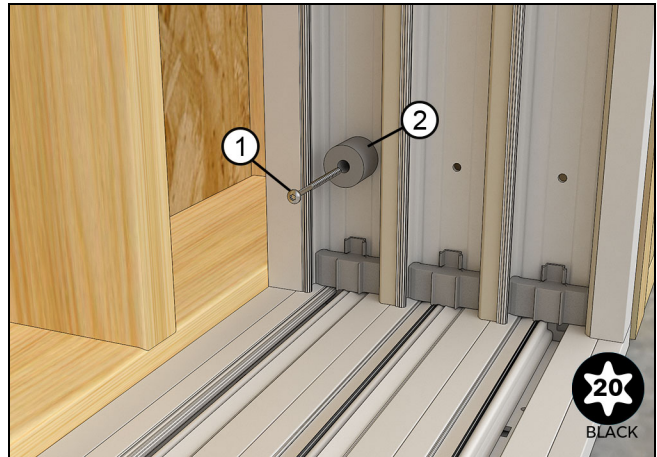


Figure 117 show bumpers in space with screws out

Install the HP Sill Nosing

1. On all units with an HP sill, install the sill nosing into the groove on the exterior sill liner. Insert the "foot" of the nosing into the groove at an approximately 45 degree angle then rotate the part down into place until the long leg of the nosing contacts the sill frame/panning.

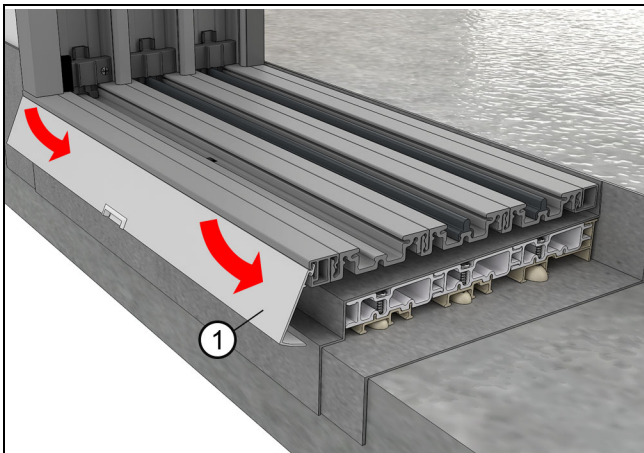


Figure 118

1	Sill nosing
---	-------------

2. Seal the vertical end of the nosing where it meets the pocket or the jamb as well as the entire length of the nosing leaving gaps at the sill weeps. See Figure 119



Figure 119

IMPORTANT

Do not allow sealant on the front face of the sill weeps on the sill nosing. Clean excess sealant immediately.