



Ultimate Wood Double Hung and Single Hung Magnum Ultimate Double Hung and Single Hung Magnum DISC NA PRE 6/27/2022

Replacement Parts

Specifications and technical data are subject to change without notice.

Numbers listed in () parentheses are metric equivalents in millimeters rounded to the nearest whole number.

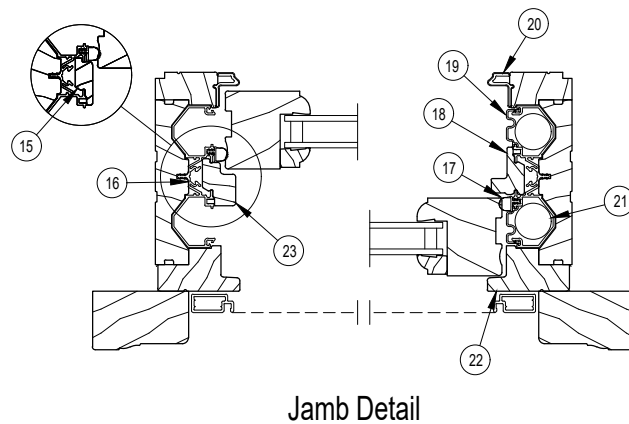
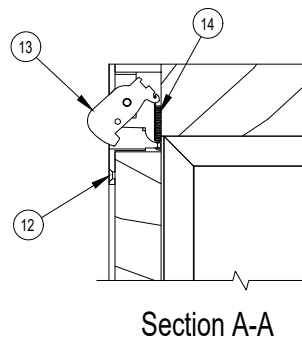
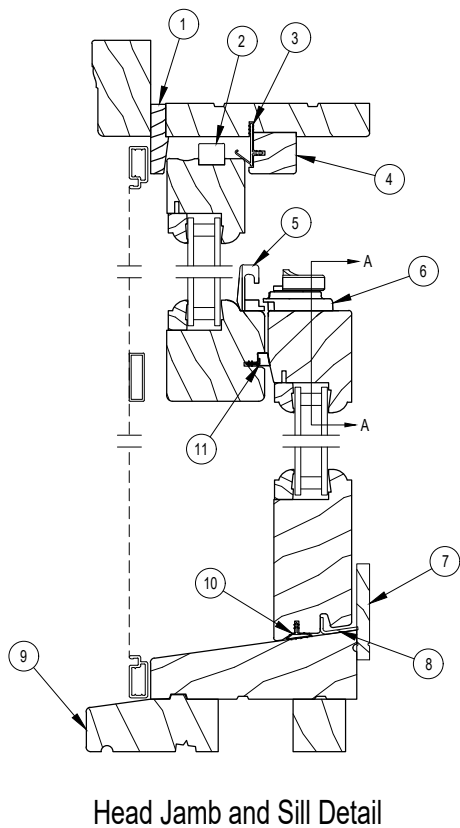
Suggested fasteners are not included and must be ordered separately.

Illustrations are not to scale.

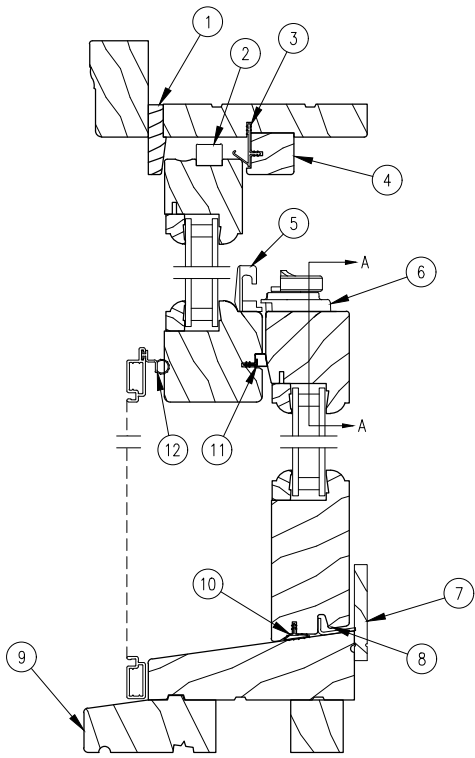
Contents

Product History.....	2
Part Identification - Ultimate Wood Double Hung Magnum	3
Part Identification - Ultimate Wood Single Hung Magnum	4
Part Identification - Ultimate Wood Double Hung Magnum - Picture 1 5/8" Sash.....	5
Part Identification - Ultimate Wood Double Hung Magnum - Picture 2 Inch Sash.....	6
Part Identification - Ultimate Wood Double Hung Magnum - Transom	7
Part Identification - Ultimate Double Hung Magnum - DISC NA - PRE 6/27/22	8
Part Identification - Ultimate Single Hung Magnum - DISC NA - PRE 6/27/22	9
Part ID - Ultimate Double Hung Magnum - Picture 2" Sash - DISC NA - PRE 6/27/22	10
Part ID - Ultimate Double Hung Magnum Transom - DISC NA - PRE 6/27/22	11
Miscellaneous Parts	12
Miscellaneous Parts - Discontinued - No Availability (DISC-NA)	18
Balance Tubes	19
Jamb Carriers	20
Aluminum Parts	21
Vinyl Parts.....	22
Wood Parts.....	23
Weather Strip.....	27
Weather Strip - Discontinued - No Availability (DISC-NA).....	29
Sash Replacement.....	30
Screen Replacement.....	32
Screen Parts	34
Screen Parts - Discontinued - No Availability (DISC-NA)	35
Combination Parts.....	36

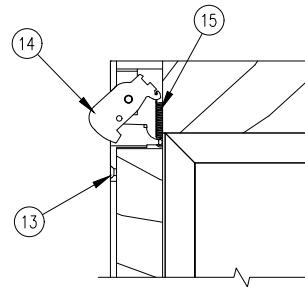
Produced	Unit Type	Features and Changes
2005	Ultimate Wood Double Hung Magnum Ultimate Double Hung Magnum DISC-NA PRE 06/27/2022	08/01/2005: Introduced the Ultimate Double Hung Magnum. The Magnum Double Hung line retires.
2008	Ultimate Wood Double Hung Magnum Ultimate Double Hung Magnum DISC-NA PRE 06/27/2022	06/02/2008: Introduced charcoal colored high transparency screen mesh (CH HI-TRANS as an option on all window and door products (including combinations).
	Ultimate Double Hung Magnum DISC-NA PRE 06/27/2022	07/28/2008: Mixed grain Douglas fir is now a standard option.
2009	All	3/23/2009: Added LoE-3-366 as a standard option for all products. Added Cedro Macho as a standard option for all Ultimate products.
2011	All	04/25/2011: Added LoE-180 as a standard option for all products. White painted interior finish option introduced for all products.
2012	Ultimate Wood Double Hung Magnum Ultimate Double Hung Magnum DISC-NA PRE 06/27/2022	04/30/2012: Introduced a new screen design as standard. 10/29/2012: Interior Square Sticking/Glazing Bead option introduced.
	All	12/17/2012: Introduced Clear interior finish option on all products.
2013	All	04/29/2013: Introduced interior stain options. Stain colors are Wheat, Honey, Leather, Hazelnut, Cabernet and Espresso.
2016	All	10/31/2016: Obsolescence of the wood species Cedro Macho for all products.
2017	All	10/30/2017: Discontinued EP colors with exception of Stone White and Bronze. Discontinuation of old style Magnum frame parts and Panning System.
2018	Ultimate Double Hung Magnum DISC-NA PRE 06/27/2022 (Single Hung, Double Hung, Picture and Transom)	06/25/2018: Ultimate Double Hung Magnum products including Ultimate Single Hung, Double Hung, Picture and Transom (CUDHT) moved to discontinued status.
2020	All	04/27/2020: Discontinued (Disc-NA) combination colors with exception of Stone White and Bronze.
2021	All	10/25/2021 The standard screen mesh changed to Marvin Bright View™ from Charcoal Fiberglass Mesh. For more information see Product Bulletin 793.
2022	Ultimate Double Hung Magnum DISC-NA PRE 06/27/2022 (Single Hung, Double Hung, Picture and Transom)	06/27/2022: Ultimate Double Hung Magnum products including Ultimate Single Hung, Double Hung, Picture and Transom (CUDHT) moved to DISC NA status. Replacement Sash and Replacement Parts will remain as limited availability. See Product Bulletin 827 for more information. Magnum Screen naming changed to Extruded Aluminum Screen.
2024	Ultimate Double Hung Magnum DISC-NA PRE 06/27/2022	06/24/2024: Update for Ultimate Combinations and Ultimate Wood Combinations and Energy Panels were made. See Product Bulletin #937 for more Information



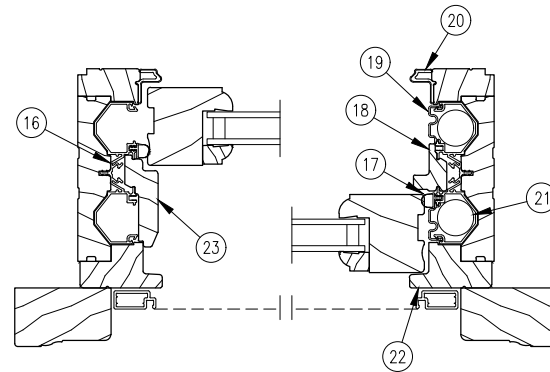
1. Top Blind Stop, W21125
2. Tilt Latch
3. Head Jamb Parting Stop Weather Strip, V945
4. Header Jamb Parting Stop, W8883
5. Sash Keeper
6. Sash Lock
7. Sill Liner, W8914
8. Sill Bracket
9. Subsill, W2134
10. Bottom Rail Weather Strip, V147
11. Check Rail Weather Strip, V031
12. End Plate
13. Locking Blade
14. Extension Spring
15. Jamb Exterior Filler (Upper), W8879
16. Vinyl Jamb Carrier, V1375
17. Frame Weather Strip, V1419
18. Interior Jamb Filler, W8878
19. Balance Cover, A1387
20. Jamb Liner Stop, A1402
21. Sash Balance Tube
22. Jamb Blind Stop, W8950
23. Exterior Jamb Filler (Lower), W8927



Head Jamb and Sill Detail

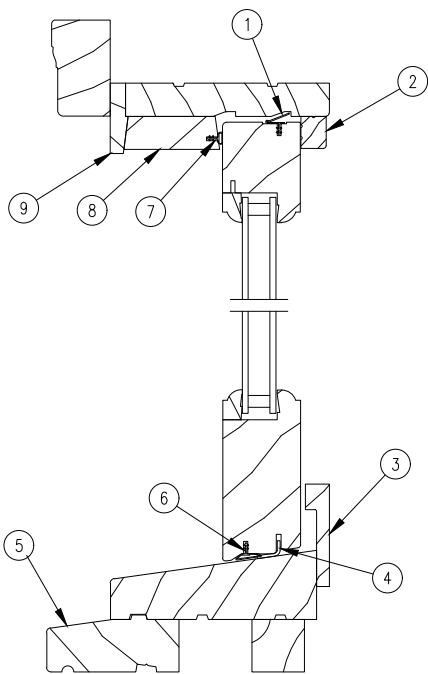


Section A - A

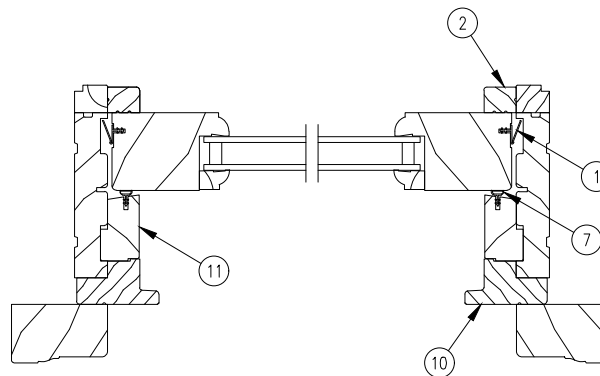


Jamb Detail

1. Top Blind Stop, W2125
2. Tilt Latch
3. Head Jamb Parting Stop Weather Strip, V945
4. Header Jamb Parting Stop, W8883
5. Sash Keeper
6. Sash Lock
7. Sill Liner, W8914
8. Sash Retainer Clip
9. Subsill, W2134
10. Bottom Rail Weather Strip, V937
11. Check Rail Weather Strip, V031
12. Half Screen Weather Strip, V2113
13. Tilt Latch End Plate
14. Locking Blade
15. Extension Spring
16. Vinyl Jamb Carrier, V100
17. Frame Weather Strip, V1419
18. Bottom Wood Jamb Filler, W8878
19. Sash Balance Tube Cover
20. Jamb Liner Stop, A1402
21. Sash Balance Tube
22. Jamb Blind Stop, W8950
23. Single Hung Filler, W9004

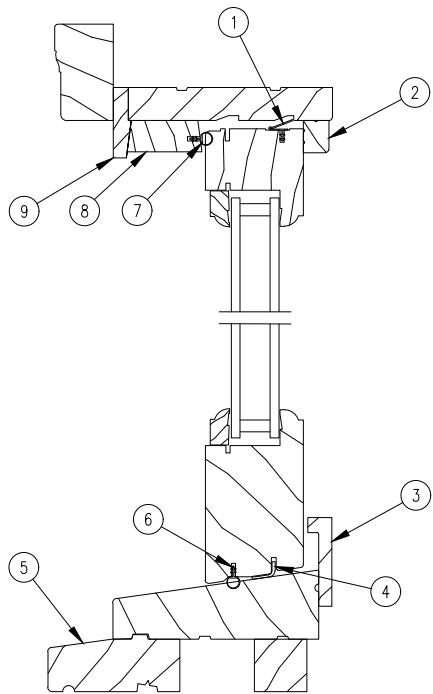


Head Jamb and Sill Detail

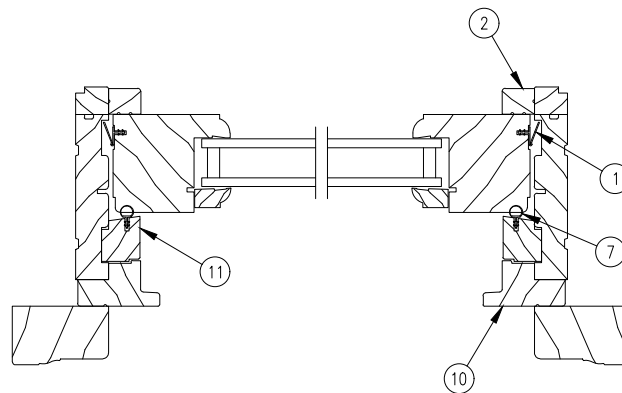


Jamb Detail

1. Sash Retainer, V130
2. Interior Stop, W7134
3. Sill Liner, W9702
4. Sash Retainer Clip
5. Subsill, W2134
6. Top Rail Weather Strip, V147
7. Bottom Rail Weather Strip
8. Exterior Head Jamb Filler, W2125
9. Top Blind Stop, W2125
10. Jamb Blind Stop, W8950
11. Exterior Filler, W2177

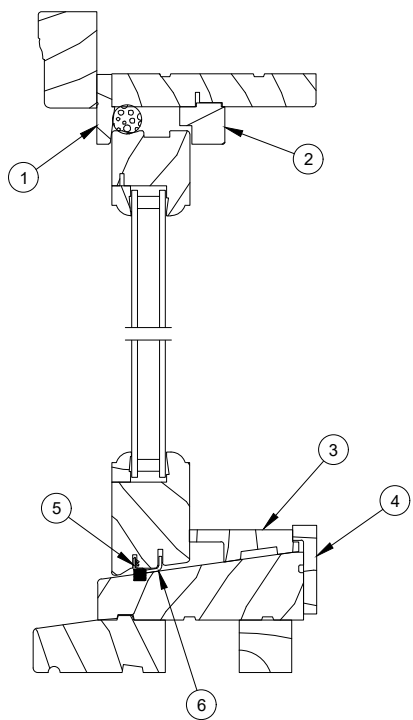


Head Jamb and Sill Detail

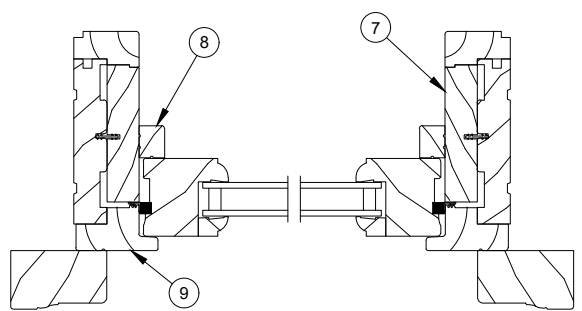


Jamb Detail

1. Vinyl Retainer, V130
2. Interior Stop, W7134
3. Sill Liner, W8992
4. Sash Retainer Clip
5. Subsill, W2134
6. Bottom Rail Weather Strip, V147
7. Top Rail Weather Strip, V147
8. Exterior Head Jamb Filler, W2175
9. Top Blind Stop, W2125
10. Jamb Blind Stop, W8950
11. Exterior Filler, W2177

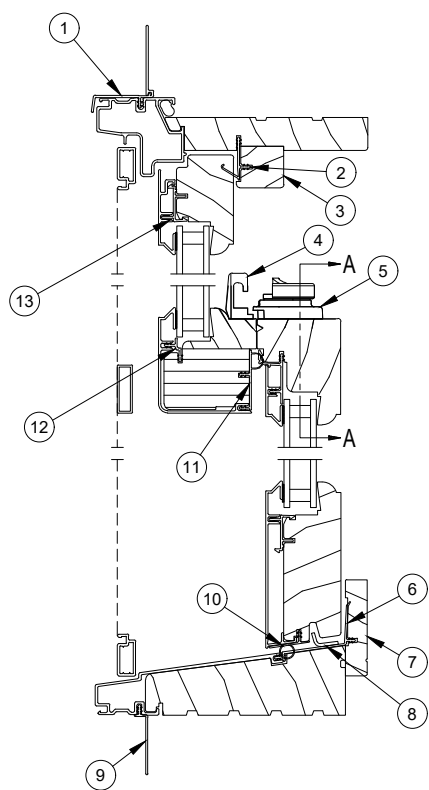


Head Jamb and Sill Detail

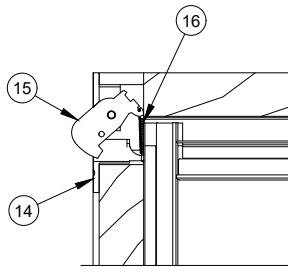


Jamb Detail

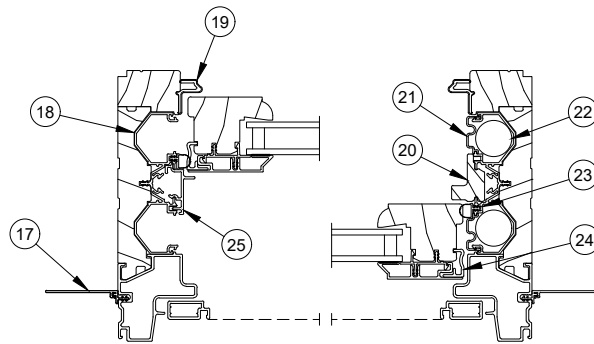
- 1. Top Blind Stop, W2125
- 2. Head Jamb Stop, W7136
- 3. Sash Filler, W7122
- 4. Sill Liner, W2179
- 5. Jamb/Bottom Rail Weather Strip, V031
- 6. Sill Bracket
- 7. Transom Jamb Filler, W7126
- 8. Interior Stop, W7134
- 9. Jamb Blind Stop, W8950



**Head Jamb
and Sill Detail**

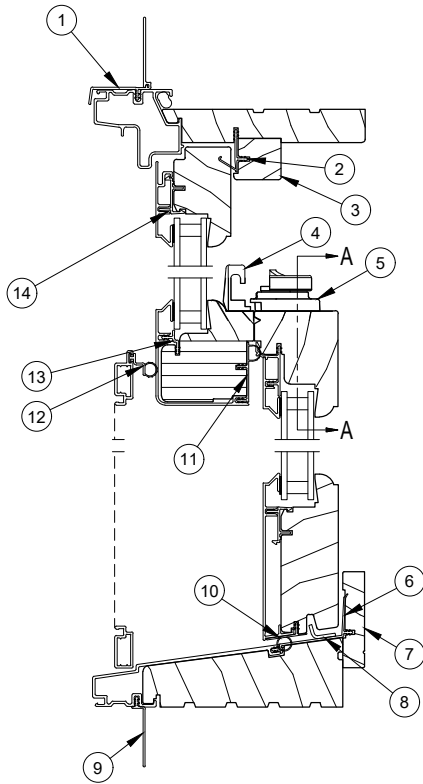


Section A - A

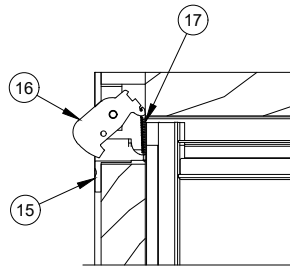


Jamb Detail

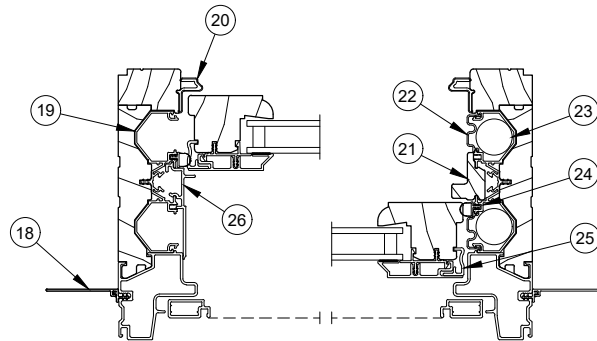
1. Hinged Vinyl Nailing Fin/Drip Cap, V119
2. Head Jamb Parting Stop Weather Strip, V945
3. Header Jamb Parting Stop, W8883
4. Sash Keeper
5. Sash Lock
6. Sill Cover, V931
7. Sill Liner, W8860
8. Sill Bracket
9. Hinged Sill Nailing Fin, V084
10. Bottom Rail Weather Strip, V937
11. Top Checkrail Weather Strip, V920
12. Top Checkrail Cladding Connector, V929
13. Sash Cladding Connector, V946
14. End Plate
15. Locking Blade
16. Extension Spring
17. Hinged Jamb Nailing Fin, V104
18. Vinyl Jamb Carrier, V1375
19. Wood Wrap Aluminum Interior Stop, A1402
20. Interior Jamb Filler, W8878
21. Balance Cover, A1387
22. Sash Balance Tube
23. Frame Weather Strip, V1419
24. Contact Strip, V1500
25. Aluminum Jamb Filler, A1388



**Head Jamb
and Sill Detail**

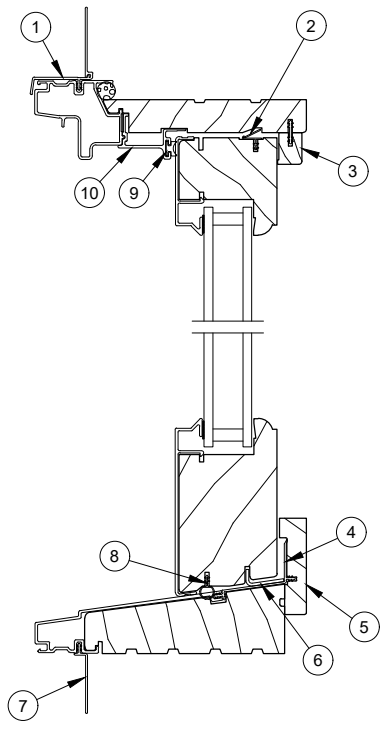


Section A - A

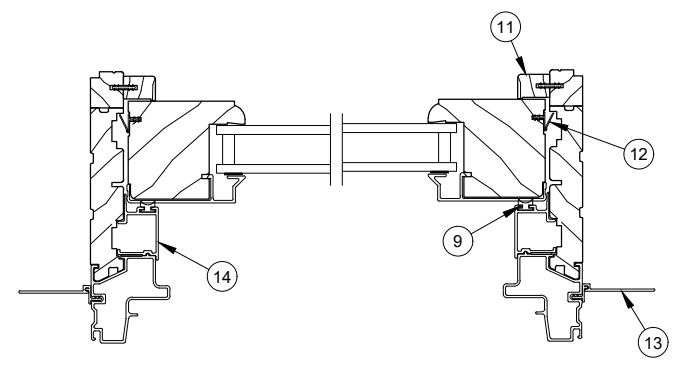


Jamb Detail

1. Hinged Vinyl Nailing Fin/Drip Cap, V119
2. Head Jamb Parting Stop Weather Strip, V945
3. Header Jamb Parting Stop, W8883
4. Sash Keeper
5. Sash Lock
6. Sill Cover, V931
7. Sill Liner, W8860
8. Sill Bracket
9. Hinged Sill Nailing Fin, V084
10. Bottom Rail Weather Strip, V937
11. Top Checkrail Weather Strip, V920
12. Half Screen Weather Strip, V2113
13. Top Checkrail Cladding Connector, V929
14. Sash Cladding Connector
15. End Plate
16. Locking Blade
17. Extension Spring
18. Hinged Jamb Nailing Fin, V104
19. Vinyl Jamb Carrier, V1375
20. Wood Wrap Aluminum Interior Stop, A1402
21. Interior Jamb Filler, W8878
22. Balance Cover
23. Sash Balance Tube
24. Frame Weather Strip, V1419
25. Contact Strip, V1500
26. Aluminum Jamb Filler, A1388

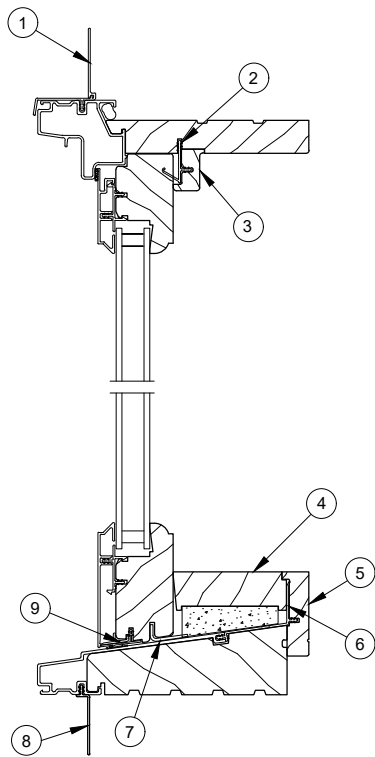


Head Jamb and Sill Detail

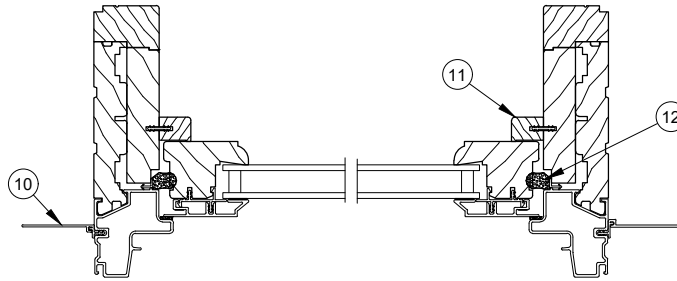


Jamb Detail

1. Hinged Vinyl Nailing Fin/Drip Cap, V119
2. Sash Retainer, V130
3. Interior Sash Stop, W3111
4. Sill Cover, V931
5. Vinyl Retainer, V130
6. Sill Liner, W8991
7. Hinged Sill Nailing Fin, V084
8. Bottom Rail Weather Strip, V147
9. Filler Weather Strip, V196
10. Exterior Head Jamb Filler, A1230
11. Interior Sash Stop, W3111
12. Vinyl Sash Retainer, V1207
13. Hinged Jamb Nailing Fin, V104
14. Exterior Jamb Filler, A1229



**Head Jamb
and Sill Detail**



Jamb Detail

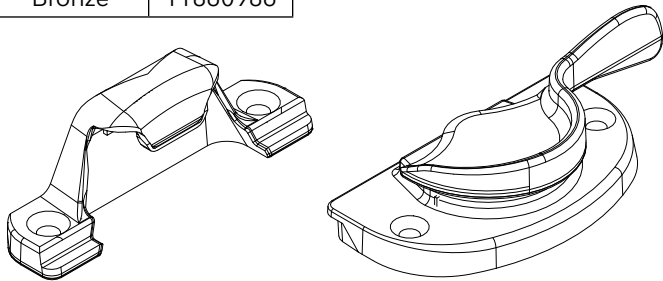
1. Hinged Vinyl Nailing Fin/Drip Cap, V119
2. Head Jamb Parting Stop Weather Strip, V945
3. Head Jamb Part Stop, W8969
4. Sill Filler, W8591
5. Sill Liner, W8589
6. Sill Cover, V931
7. Sill Bracket
8. Hinged Sill Nailing Fin, V084
9. Bottom Rail Weather Strip, V937
10. Hinged Jamb Nailing Fin, V104
11. Interior Sash Stop, W3111
12. Frame Weather Strip, V2510

Sash Lock and Keeper, Complete

Includes:

- 1 - Sash lock
- 1 - Keeper
- 2 - #7 x 7/8" Phillips flat head wood screws
- 2 - #7 x 1 1/4" Phillips flat head screws

Color	PN
Satin Taupe	11860987
White	11860985
Bronze	11860986

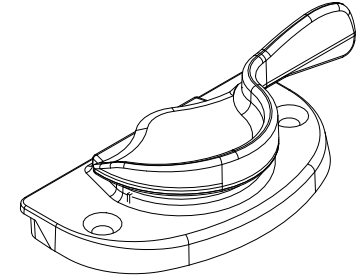


Sash Lock

Includes:

- 1 - Sash lock
- 2 - #7 x 7/8" Phillips flat head wood screws

Color	PN
Satin Taupe	10500806
White	10500804
Bronze	10500802
Brass	10500808
Satin Chrome	10500810
Antique Brass	10500814
Oil Rubbed Bronze	10500816
Satin Nickel	10500818
Polished Chrome	10500812

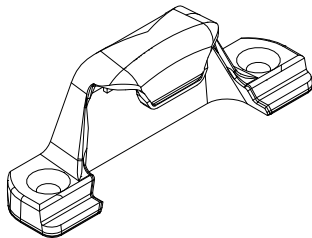


Lock Keeper Kit

Includes:

- 1 - Keeper
- 2 - #7 x 1 1/4" Phillips flat head screws

Color	PN
Satin Taupe	11862502
White	11862500
Bronze	11862501
Brass	11862503
Satin Chrome	11862505
Antique Brass	11862504
Oil Rubbed Bronze	11862506
Satin Nickel	11862507
Polished Chrome	10500795

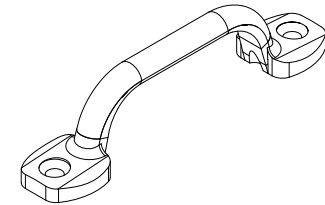


Sash Lift

Includes:

- 1 - Sash lift
- 2 - #8 x 1" slotted oval head sheet metal screws

Color	PN
Satin Taupe	10500598
White	10500556
Bronze	10500557
Brass	10500558
Satin Chrome	10500596
Antique Brass	10500597
Oil Rubbed Bronze	10500601
Satin Nickel	10500602
Polished Chrome	10500595
Matte Black	10500577

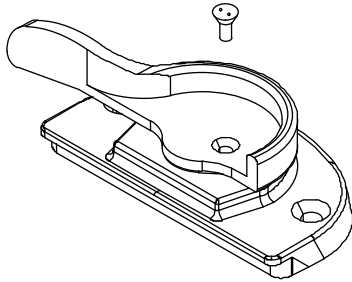


Custodial Lock

Includes:

- 1 - Sash lock
- 1 - Tamper resistant screw
- 2 - #7 x 7/8" Phillips flat head wood screws

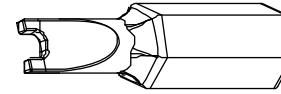
Color	PN
Satin Taupe	10500712
White	10500711
Bronze	10500710



Tool Bit - Tamper Resistant Screw

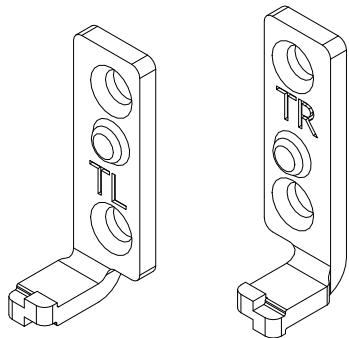
For Custodial Lock

PN
10500543



Top Sash Pivot Pin

Handing	PN
RH	10500562
LH	10500563



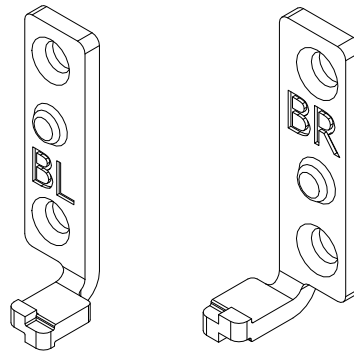
LH shown

RH shown

NOTE: Handing viewed from exterior

Bottom Sash Pivot Pin

Handing	PN
RH	10500564
LH	10500565



LH shown

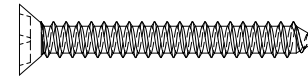
RH shown

NOTE: Handing viewed from exterior

#7 x 1 1/4" Phillips Flat Head

Self tapping screw for sash pivot pins

PN
11807113

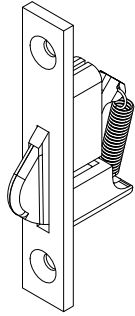


End Plate Assembly

Includes:

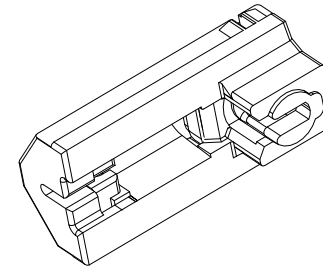
- 1 - Tilt latch assembly
- 2 - #6 x 5/8" Phillips flathead wood screws

Color	PN
Beige	10500600
Black (over mold blade)	10500615



Clutch Assembly

PN
10500568



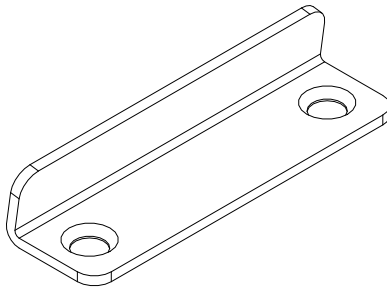
Sill Bracket

For Operating Units

Includes:

- 1 - Sill bracket
- 2 - #7 x 3/4" Flat head stainless steel screws

Color	PN
White	11841102
Beige	11841101



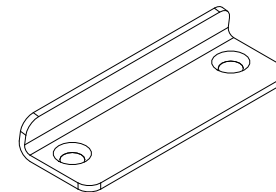
Sill Bracket

For Transom and Picture Units

Includes:

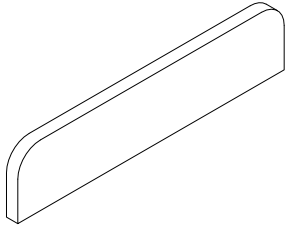
- 1 - Sill bracket
- 2 - #7 x 7/8" Flat head stainless steel screws

PN
10500526



Foam Gasket, Header, Jamb Carrier

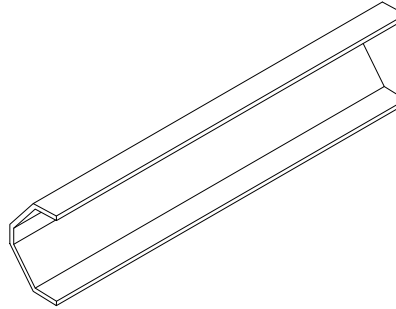
Color	PN
Beige	10500408



Top Sash Stop, Vinyl

V1432

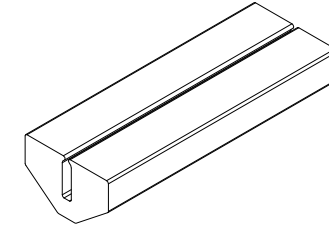
Color	Length	PN
Beige	60" (1524)	15354060
White		15354160



Sash Bumper

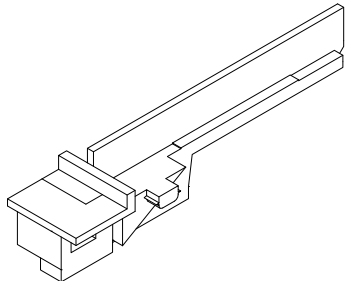
V1391

PN
11860430



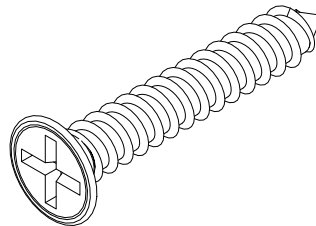
Sill Liner End Plug

Color	Handing	PN
Black	LH	11867836
Natural	RH	11867837



#8 x 1" Screw for Jamb Liner

PN
11800540

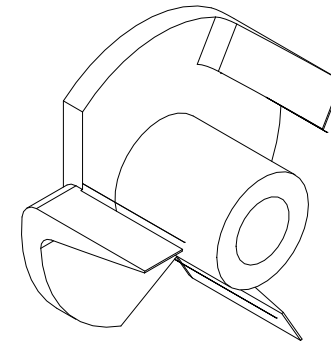


T Nut and Screws (package)

Includes:

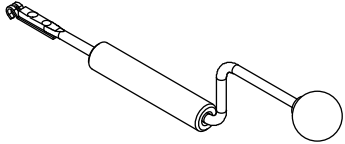
- 4 - T-nuts
- 4 - #8 x 1 1/8" machine screws

PN
05570911



Balance Tube Tensioning Tool

PN
05570910

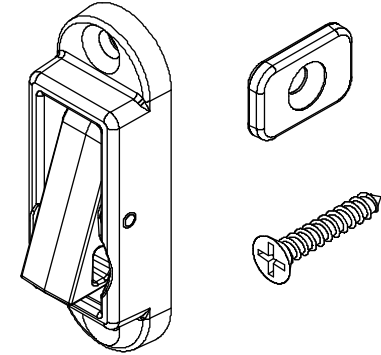


Window Opening Control Device Kit

Includes:

- 2 - Control devices
- 2 - Strike plates
- 6 - #7 x 7/8" color match screws, #7 x 7/8"

Color	PN
White	11850640
Bronze	11850641
Brass	11850642
Satin Chrome	11850643
Polished Chrome	11850644
Antique Brass	11850645
Satin Taupe	11850646
Oil Rubbed Bronze	11850647
Satin Nickel	11850648



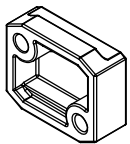
Ogee Lug Kit

Ultimate Wood

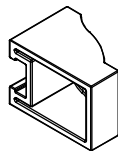
Includes:

- 2 - Ogee lugs
- 2 - Retainers
- 2 - #7 x 1 1/4" Panhead screws

PN
11894145



Retainer



Ogee Lug

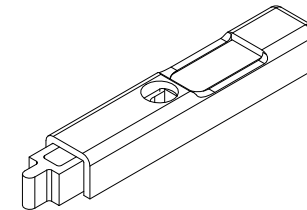
Top Sash Tilt Latch Assembly

Ultimate Wood

Includes:

- 1 - Tilt latch assembly
- 1 - #7 x 1 1/4" Phillips flathead wood screws

Color	PN
Beige	10500555



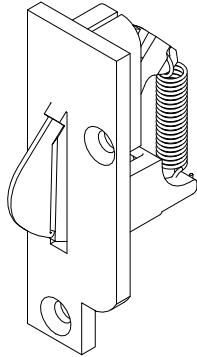
End Plate Assembly

Ultimate Wood

Includes:

- 1 - Pivot Latch End Plate
- 1 - Multi-Point Locking Blade
- 1 - Extension Spring

Handing	PN
LH	10500686
RH	10500687



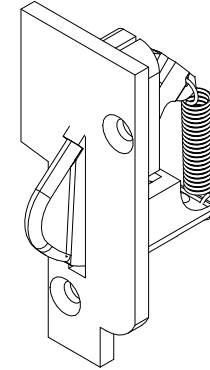
End Plate Assembly

Ultimate Double Hung Magnum DISC NA Pre 06/27/2022

Includes:

- 1 - Pivot Latch End Plate
- 1 - Multi-Point Locking Blade
- 1 - Extension Spring

Handing	PN
LH	10500688
RH	10500689



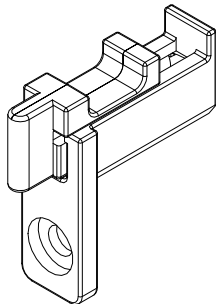
Top Sash Tilt Latch Assembly

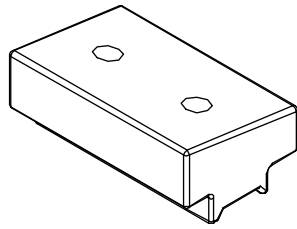
Ultimate Double Hung Magnum DISC NA Pre 06/27/2022

Includes:

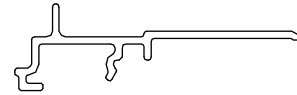
- 1 - Tilt Latch Assembly
- 1 - #7 x 1 1/4" Phillips pan head wood screws

Color	PN
Beige	10500561





Mulling Plug



**Single Hung Jamb Filler,
A1413**

**Balance tubes with ID Code can be ordered by part number
(see chart)**

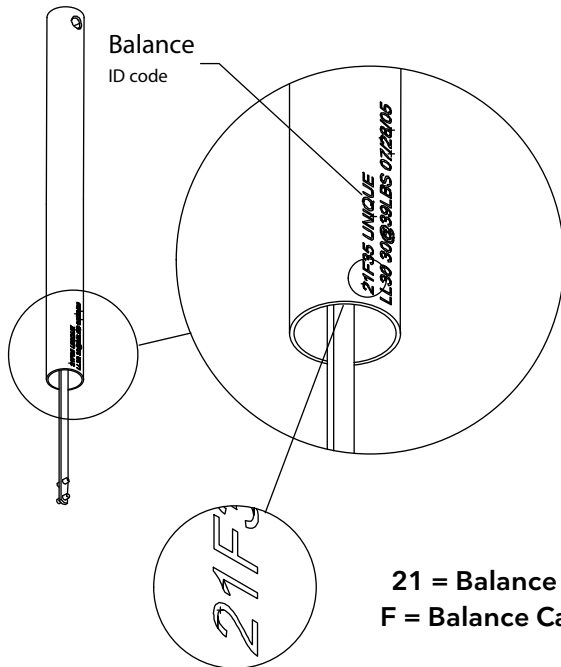
**Ultimate Wood Double Hung Magnum and Round Top
Ultimate Double Hung Magnum and Round Top DISC NA PRE
06/27/2022**

1. Provide the original order number when possible.
2. Provide part number*. The part number can be determined from the chart provided below, which is based on the balance ID code. NOTE: Information is imprinted on tube (see illustration).
3. Specify top or bottom sash.
4. Specify quantity. Do NOT specify as pairs or sets. If one tube is needed, specify: quantity 1. If two tubes are needed, specify: quantity 2. Part numbers listed below are for one balance only.

NOTE: Balance tube replacement can be a difficult process. Please contact Marvin Representative or marvin.com for sources of information to assist you.

NOTE: The clutch needs to be ordered separately.

Converting standard travel to full travel balance tubes in the field is not recommended on mullied assemblies.



		Balance Length					
		8"	16"	21"	29"	39"	50"
Balance Call Letter	A	10700108	10700116	10700121	10700129		
	B	10700208	10700216	10700221	10700229		
	C	10700308	10700316	10700321	10700329	10700339	10700350
	D	10700408	10700416	10700421	10700429	10700439	10700450
	E	10700508	10700516	10700521	10700529	10700539	10700550
	F	10700608	10700616	10700621	10700629	10700639	10700650
	G	10700708	10700716	10700721	10700729	10700739	10700750
	H	10700808	10700816	10700821	10700829	10700839	10700850
	I	10700908	10700916	10700921	10700929	10700939	10700950
	J		10701016	10701021	10701029	10701039	10701050
	K			10701121	10701129	10701139	10701150
	L			10701221	10701229	10701239	10701250
	M			10701321	10701329	10701339	10701350
	N			10701421	10701429	10701439	10701450
	O			10701521	10701529	10701539	10701550
	P			10701621	10701629	10701639	10701650
	Q			10701721		10701739	10701750
	R			10701821		10701839	10701850
	S			10701921		10701939	10701950
	T			10702021		10702039	10702050
U			10702121			10702150	
V			10702221			10702250	
W			10702321			10702350	
X			10702421			10702450	

When ordering jamb carriers, please provide the following information:

Ultimate Wood Double Hung Magnum

1. Provide the original order number when possible.
2. Specify color (beige or white).
3. Specify left, right or pair as viewed from the exterior.

Replacement vinyl jamb carriers will be cut to fit according to the original order number with holes punched in the proper locations.

Balance tubes, fillers and weather strips are not included with the above. If needed order for Ultimate Wood Unit: Top Sash - Exterior Jamb Filler (W8927), Lower Jamb Hardware Weather Strip (V1419), Interior Wood Jamb Filler (W8878).

NOTE: Jamb carrier replacement can be a difficult process. Please contact Marvin Representative or marvin.com for sources of information to assist you.

NOTE: Jamb Hardware Assemblies Complete are not available for Ultimate Wood Double Hung Magnum. Balances and jamb carriers must be ordered separately.

When ordering jamb carriers, please provide the following information:

Ultimate Double Hung Magnum DISC NA PRE 06/27/2022

1. Provide the original order number when possible.
2. Specify color (beige or white).
3. Specify left, right or pair as viewed from the exterior.

Replacement vinyl jamb carriers will be cut to fit according to the original order number with holes punched in the proper locations.

Balance tubes, fillers and weather strips are not included with the above. If needed order for Ultimate Unit: Top Sash - Exterior Jamb Filler (A1388), Lower Jamb Hardware Weather Strip (V1419), Interior Wood Jamb Filler (W8878).

NOTE: Jamb carrier replacement can be a difficult process. Please contact Marvin Representative or marvin.com for sources of information to assist you.

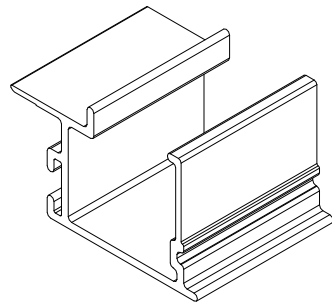
NOTE: Jamb Hardware Assemblies Complete are not available for Ultimate Double Hung Magnum DISC NA PRE 06/27/2022. Balances and jamb carriers must be ordered separately.

To order replacement parts specify:

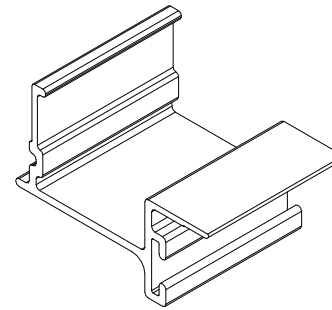
1. Original order number, if available
2. Type of unit
3. Profile number
4. Color
5. Rough opening or lineal length

*NOTE: Please reference the Miscellaneous Mouldings section for available color part numbers.

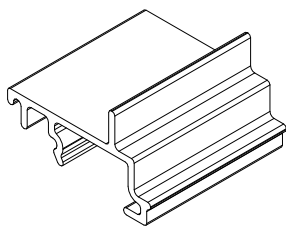
Description	Ultimate Double Hung/Single Hung Magnum DISC NA PRE 06/27/2022
Exterior Jamb Filler (used on 2" sash)*	A1229
Exterior Head Jamb Filler (used on 2" sash)*	A1230
Aluminum Jamb Filler – Operator	A1388*
Wood Wrap Aluminum Interior Stop	A1402
Balance Cover Specify Top or Bottom, White or Beige	A1387



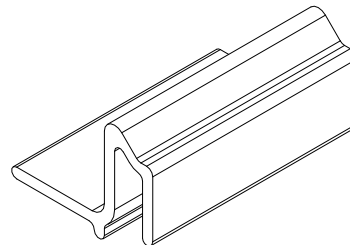
Exterior Jamb Filler, A1229



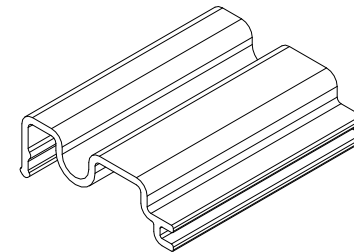
**Exterior Head Jamb Filler,
A1230**



**Aluminum Jamb Filler,
A1388**



**Wood Wrap Aluminum
Interior Stop, A1402**

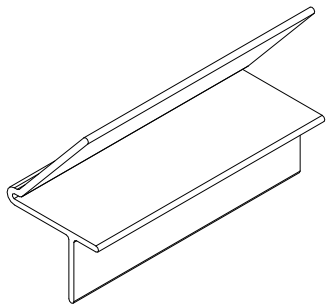


Balance Cover, A1387

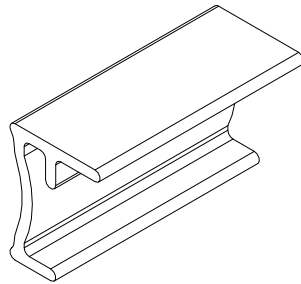
To order replacement parts specify:

1. Original order number, if available.
2. Profile number.
3. Size of unit.
4. Length.

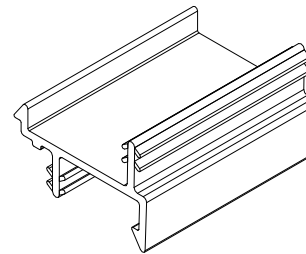
Description	Ultimate Wood Double Hung/Single Hung	Ultimate Double Hung/Single Hung Magnum DISC NA PRE 06/27/2022
Sash Retainer - Picture and Transom	V130	V130
Contact Strip		V1500
Sash Clad Connector		V946
Bottom Sash Check Rail Connector		V929



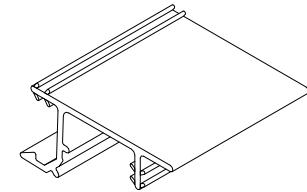
**Sash Retainer - Picture/
Transom, V130**



Contact Strip - V1500



Sash Clad Connector, V946

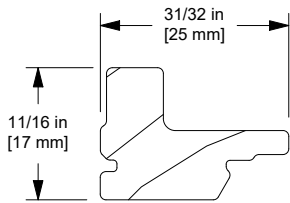


**Bottom Sash Check Rail
Connector, V929**

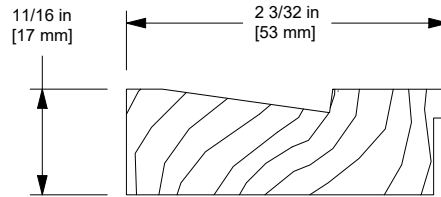
To order replacement parts specify:

1. Original order number, if available.
2. Profile number.
3. Size of unit.
4. Length.

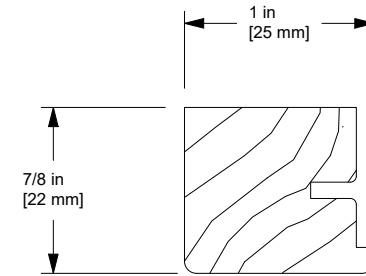
Description	Ultimate Wood Double Hung/Single Hung	Ultimate Double Hung/Single Hung Magnum DISC NA PRE 06/27/2022
Interior Jamb Filler	W8878	W8878
2" Jamb Extension	W2059	W2059
Header Jamb Parting Stop	W8883	W8883
Header Jamb to Sill Filler - Horizontal Mullion	W7053	W7053
Stool (field applied)	W7051	W7051
Sash Limiter	W9009	W9009



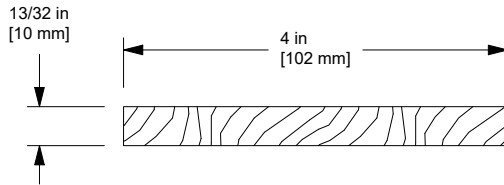
Interior Jamb Filler, W8878



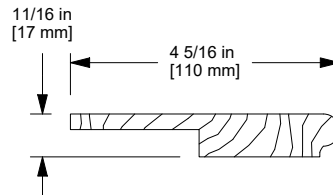
2" Jamb Extension, W2059



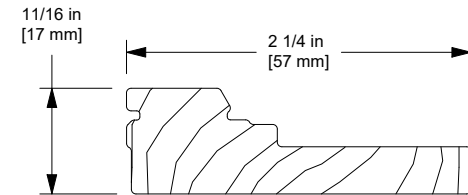
Header Jamb Parting Stop, W8883



Header Jamb to Sill Filler - Horizontal Mullion, W7053



Stool (field applied), W7051

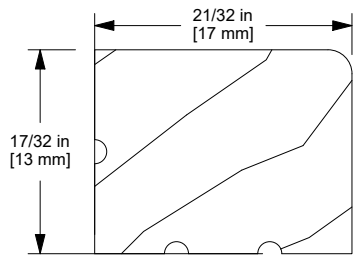


Sash Limiter, W9009

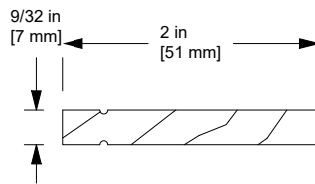
To order replacement parts specify:

1. Original order number, if available.
2. Profile number.
3. Size of unit.
4. Length.

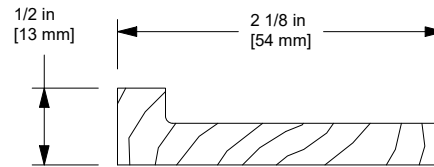
Description	Ultimate Wood Double Hung/Single Hung
Interior Sash Stop - Picture/Transom	W7134
Sill Liner	W8914
Sill Liner - Picture	W9702
Sill Liner - Transom	W7122
Subsill	W2134
Sill Nosing	W2139
Jamb Blind Stop	W8950
Head Jamb Exterior Filler	W7128



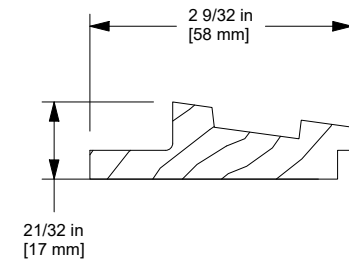
**Interior Sash Stop - Picture/
Transom, W7134**



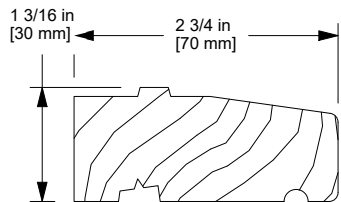
Sill Liner, W8914



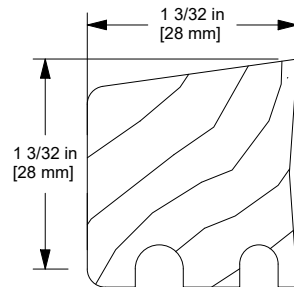
Sill Liner - Picture, W9702



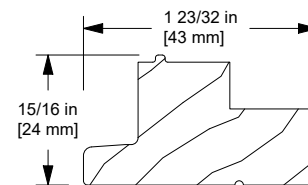
Sill Liner - Transom, W7122



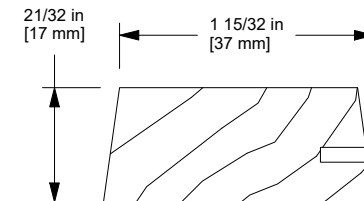
Subsill, W2134



Sill Nosing, W2139



Jamb Blind Stop, W8950

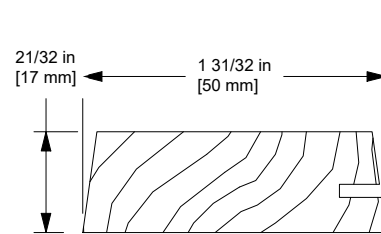


**Head Jamb Exterior Filler,
W7128**

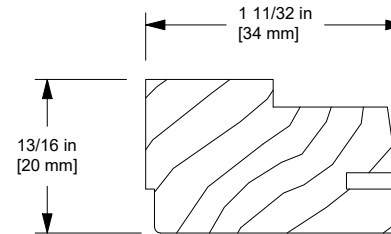
To order replacement parts specify:

1. Original order number, if available.
2. Profile number.
3. Size of unit.
4. Length.

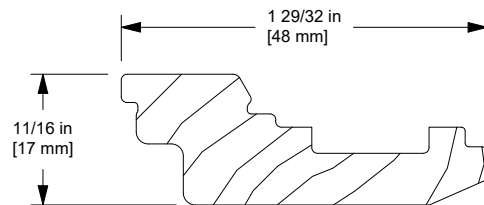
Description	Ultimate Wood Double Hung/Single Hung
Exterior Head Jamb Filler - Picture/Transom	W2175
Exterior Jamb Filler - Picture/Transom	W2177
Single Hung Filler	W9004
Jamb Exterior Filler (Upper)	W8879
Jamb Exterior Filler (Lower)	W8927



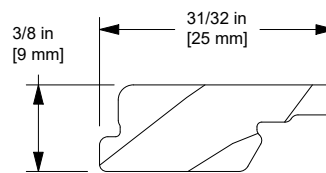
**Exterior Head Jamb Filler -
Picture/Transom, W2175**



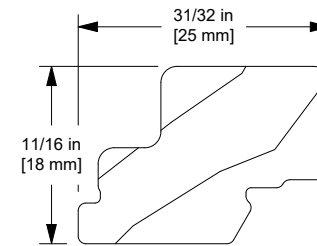
**Exterior Jamb Filler -
Picture/Transom, W2177**



Single Hung Filler, W9004



Jamb Filler (Upper), W8879

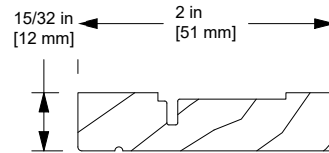


Jamb Filler (Lower), W8927

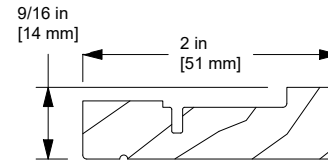
To order replacement parts specify:

1. Original order number, if available.
2. Profile number.
3. Size of unit.
4. Length.

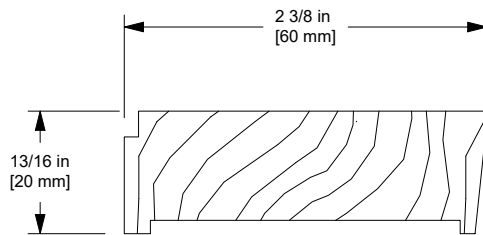
Description	Ultimate Double Hung/Single Hung Magnum DISC NA PRE 06/27/2022
Sill Liner	W8860
Sill Liner - Picture	W8991
Sill Filler - Transom	W8591
Top Blind Stop	W2125
Jamb Block - Picture	W2023



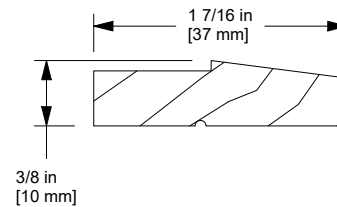
Sill Liner, W8860



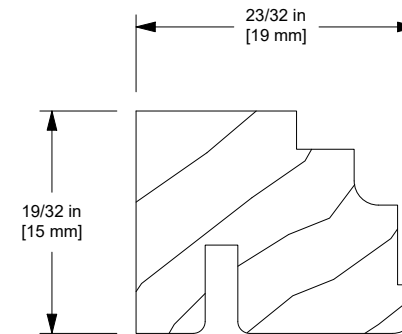
Sill Liner - Picture, W8991



Sill Filler - Transom - W8591



Top Blind Stop, W2125

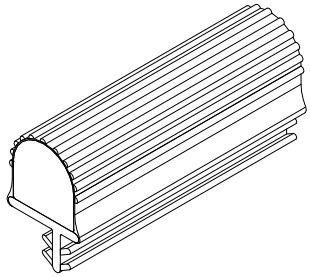


Jamb Block - Picture, W2023

Frame Weather Strip

V1419

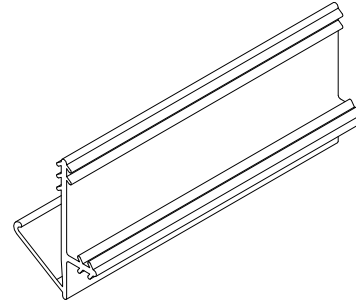
Length	Color	PN
150" (3810)	Beige	15353499
	White	15360499



Head Jamb Parting Stop Weather Strip

V945

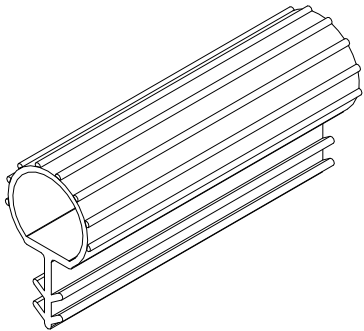
Color	PN
Beige	15352470



Bottom Rail or Frame Weather Strip

V147

Length	PN
150" (3810)	15351699

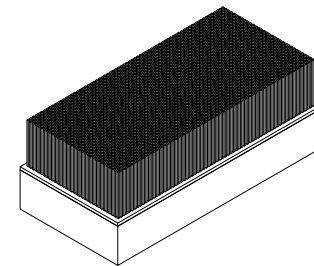


Check Rail Plug and Pile Weather Strip

Includes:

- 1 - Check Rail Pile
- 1 - Foam Check Rail Plug

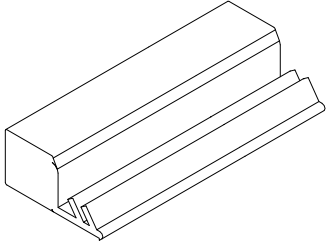
Color	PN
Beige	10500420
White	10500421



Top Check Rail Weather Strip Operator and Transom

Ultimate Wood Double Hung Magnum
V031

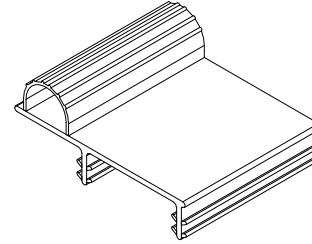
Length	Color	PN
Specify Length	Beige	15351799



Top Check Rail Weather Strip

Ultimate Double Hung Magnum DISC NA PRE 06/27/2022
V920

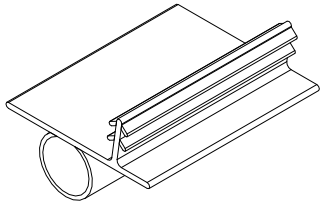
Length	Color	PN
100" (2540)	Beige	15350399

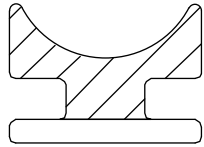


Bottom Check Rail Weather Strip

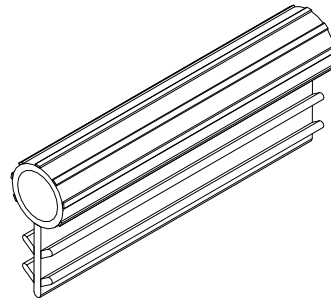
Ultimate Double Hung Magnum DISC NA PRE 06/27/2022
V937

Length	PN
100" (2540)	15350799



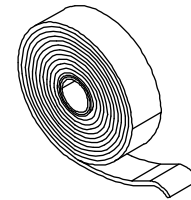


**Filler Weather Strip -
Picture, V196**



**Top Rail and Stile Sash
Weather Strip - Picture and
Transom - V1297**

Replace with V147

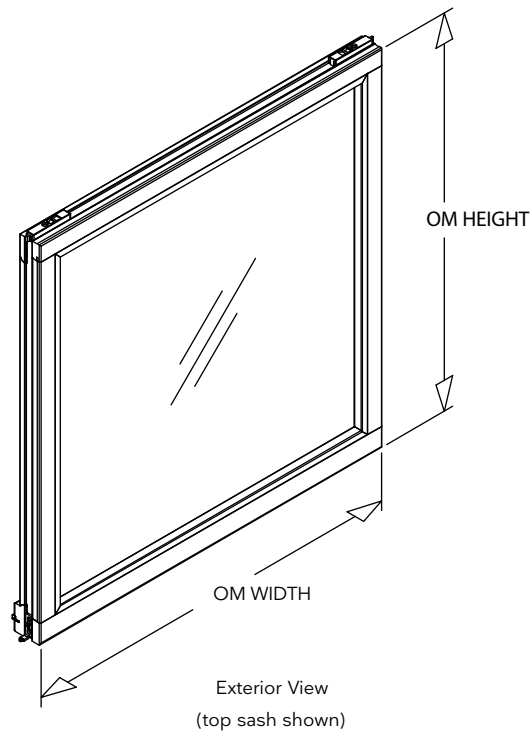


**Frame Weather Strip -
Picture and Transom**

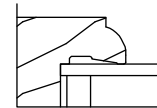
Ultimate Wood Double Hung/Single Hung Magnum

When ordering replacement sash, please specify:

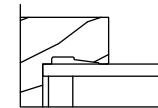
1. Original order number
2. Sash being replaced (top, bottom, pair or picture)
3. Size
 - a. top, bottom or picture (OM of sash)
 - b. pair (sash opening - indicate if unequal sash height)
4. Glazing
5. Special wood species (if applicable)
6. Exterior color and interior finish (if applicable)
7. Sticking (see illustration)
 - a. ovolo
 - b. square



Sticking Profiles



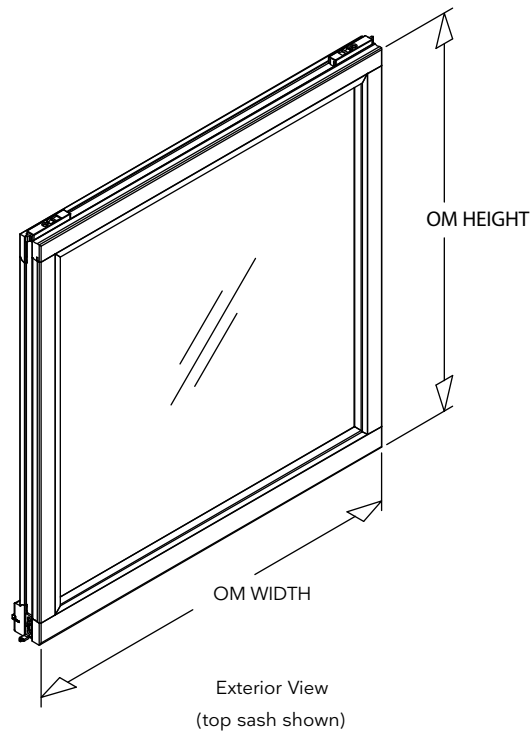
Ovolo



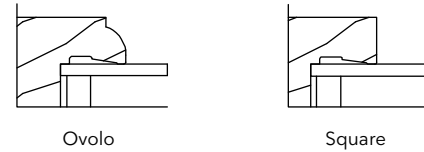
Square

When ordering replacement sash, please specify:

1. Original order number
2. Sash being replaced (top, bottom, pair or picture)
3. Size
 - a. top, bottom or picture (OM of sash)
 - b. pair (sash opening - indicate if unequal sash height)
4. Glazing
5. Special wood species (if applicable)
6. Exterior color and interior finish (if applicable)
7. Sticking (see illustration)
 - a. ovolo
 - b. square



Sticking Profiles



Ultimate Wood Double Hung/Single Hung Magnum and IZ3 units

Screen Replacement

The Extruded Aluminum Screen is standard for Ultimate Wood Double Hung Magnum. Standard screen mesh is Marvin Bright View™. Aluminum mesh is available as an option in black, charcoal, bright aluminum or bright bronze. Determine the outside measurement of the existing screen. Surrounds are available in all standard and select colors.

To order, specify:

1. Original order number
2. Size; – If there is no existing screen to obtain the OM of the screen, determine the size of the screen by using the conversions chart. The daylight opening is the measurement of the visible glass.
3. Surround color
4. Mesh type

NOTE: All screens feature plunger type mounting system.

Full Screen, Aluminum Screen

Daylight Opening of one sash (if equal height) to OM of screen

Daylight Width + 4 15/16" = OM Width of Screen

Daylight Height x 2 + 9 1/4" = OM Height of Screen

Half Screen, Aluminum Screen

Daylight Opening to OM of Half Screen

Daylight Width + 4 15/16" = OM Width of Screen

Daylight Height + 6 1/16" = OM Height of Screen

IZ3 Full and Half Screen

Daylight Opening to OM of Full Screen

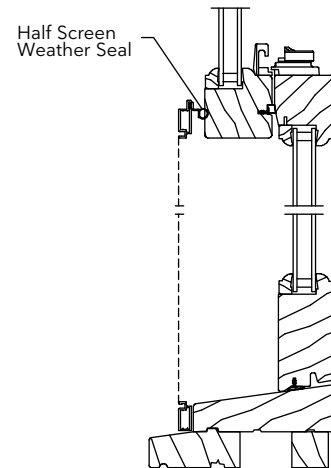
Daylight Width + 6 9/16" = OM Width of Screen

Daylight Height x 2 + 9 1/4" = OM Height of Screen

Daylight Opening to OM of Full Screen

Daylight Width + 6 9/16" = OM Width of Screen

Daylight Height + 6 3/32" = OM Height of Screen



Ultimate Wood Single Hung Magnum

Screen Replacement

The Extruded Aluminum Screen is standard for Ultimate Double Hung Magnum DISC NA PRE 6/27/2022. Standard screen mesh is Marvin Bright View™. Aluminum mesh is available as an option in black, charcoal, bright aluminum or bright bronze. Determine the outside measurement of the existing screen. Surrounds are available in all standard and select colors.

To order, specify:

1. Original order number
2. Size; – If there is no existing screen to obtain the OM of the screen, determine the size of the screen by using the conversions chart. The daylight opening is the measurement of the visible glass.
3. Surround color
4. Mesh type

NOTE: All screens feature plunger type mounting system.

Full Screen, Aluminum Screen

Daylight Opening of one sash (if equal height) to OM of screen

Daylight Width + 4 3/8" = OM Width of Screen

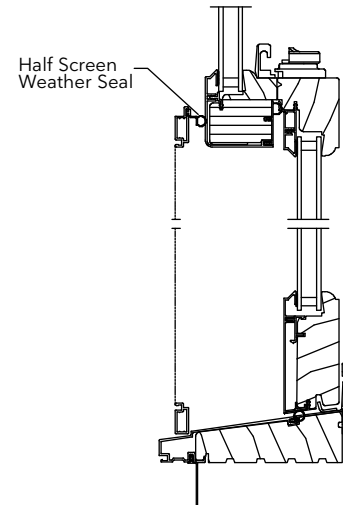
Daylight Height x 2 + 8 21/32" = OM Height of Screen

Half Screen, Aluminum Screen

Daylight Opening to OM of Half Screen

Daylight Width + 4 3/8" = OM Width of Screen

Daylight Height + 5 5/16" = OM Height of Screen



**Ultimate Single Hung Magnum
DISC NA PRE 6/27/2022**

Plunger and Spring Assembly

Includes:

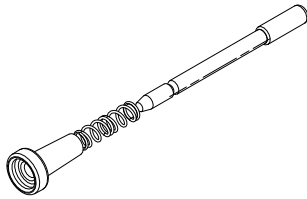
- 1 - Plunger bolt (metal)
- 1 - Plunger bolt cap (black)
- 1 - Plunger bolt spring

Usage:

2/2012 to present

Ultimate Wood Double Hung Magnum
Ultimate Double Hung Magnum DISC NA PRE 6/27/2022

Color	PN
Black	10500706

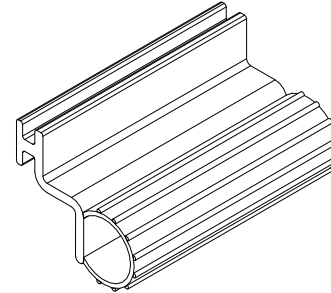


Half Screen Weather Strip

V2113

Ultimate Wood Double Hung Magnum
Ultimate Double Hung Magnum DISC NA PRE 6/27/2022

Length	Color	PN
Specify LF	Beige	15361399



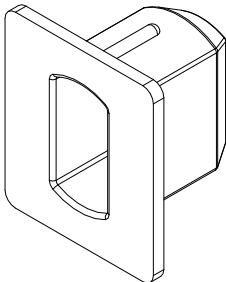
Screen Mounting Kit

Includes:

- 6 - Screen Mounting Receptacles
- 1 - Instruction sheet

Ultimate Wood Double Hung Magnum

Color	PN
Clear	11851128

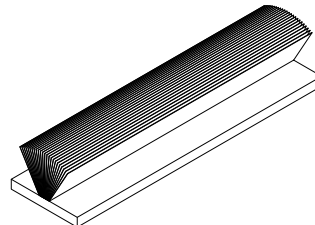


Sash Pile Weather Strip

V2173

Ultimate Double Hung Magnum
DISC NA PRE 6/27/2022

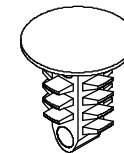
Length	Color	PN
Specify LF	Gray	15607501

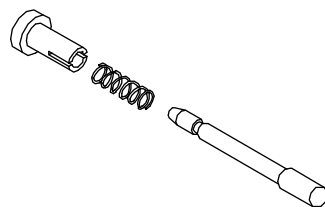


Weep Bump

Ultimate Double Hung Magnum
DISC NA PRE 6/27/2022

Color	PN
Black	10500095





Plunger and Spring Assembly
Used pre 2/2012

For Combinations and Energy Panel Availability and Replacement Parts, see Replacement Parts section:
“Ultimate and Ultimate Wood Window Combinations and Energy Panels”