

# Replacing Head Jamb Screen Tracks and Panels on pre-5/5/03 Doors



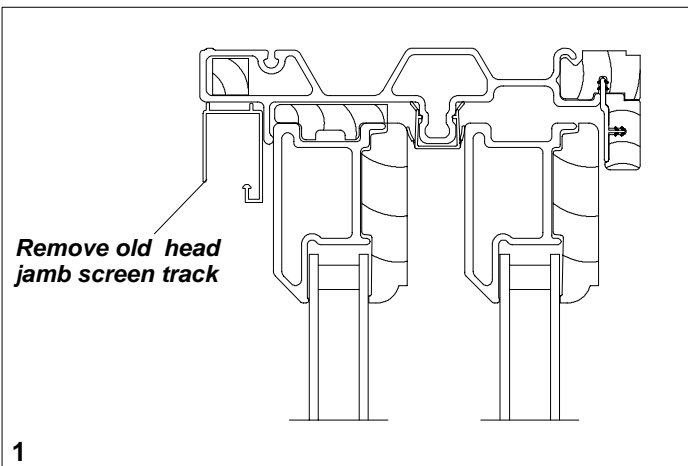
**ATTENTION:** The following instruction details the removal of sliding screens and head jamb screen tracks on Elevate Swinging Doors and Patio Doors produced before 5/5/03 and the installation of new head jamb screen tracks (profile A1237).

## YOU WILL NEED TO SUPPLY

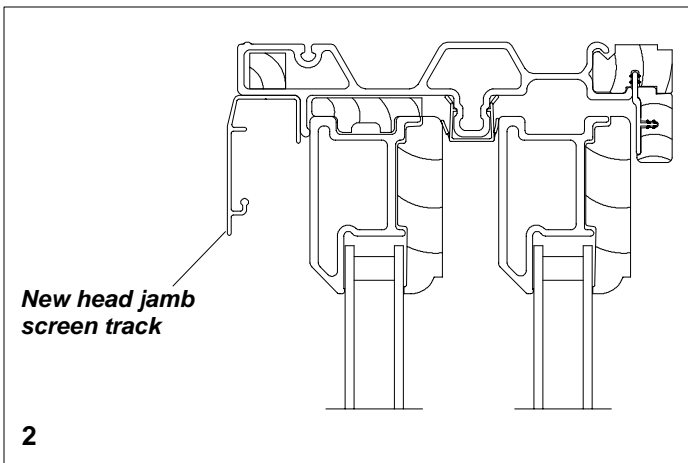
Safety glasses  
Drill with 3/32" bit  
Phillips bit

## REPLACING THE OLD SCREEN TRACK

1. Remove old screen panel.
2. Using a drill with a Phillips head bit, remove the 1/2" flathead screws that fasten the head jamb screen track to the frame. Remove the screen track and discard along with screws. See illustration 1.



3. Place the new screen track up into the head jamb as shown in illustration 2. Using the holes in the new track as a guide, pre-drill through the Ultrex wall with a 3/32" drill bit. See illustration 2.



3. Fasten new track to the head jamb using the #8 x 5/8" beige trusshead screws provided. Do not over-tighten screws.

## NEW SCREEN INSTALLATION

1. From the exterior, hold the screen with the rollers facing you while tilting the bottom of the screen panel away from the door. Lift the rollers into the screen track and pull the panel toward you to engage the rollers in the track. Make sure the rollers are seated in the screen track by moving the panel back and forth. See illustration 3.



2. Once you are sure the rollers are fully seated in the screen track, pivot the screen panel into position toward the sill and place the bottom screen panel guide onto the sill track by lifting it with your fingers or by lifting with a stiff putty knife. See illustration 4.

