

**MULLIONS CONTAINING TYPICAL GLAZING PRODUCTS
HORIZONTAL OR VERTICAL**

SEE WINDOW OR DOOR APPROVAL FOR FASTENERS SIZES AND SPACING

THESE MULLIONS CAN ONLY BE USED WITH 'MARVIN' GLAZING PRODUCTS

**Clipped, Extruded Aluminum Tube Mullion
Using Mullion Properties Only**

MULLION SYSTEM IS RATED FOR LARGE MISSILE IMPACT. SEE SEPARATE APPROVAL'S FOR WINDOWS/DOORS IMPACT AND LOAD RATINGS. LOWER VALUES FROM MULLION APPROVAL OR WINDOW/DOOR APPROVAL WILL APPLY TO ENTIRE SYSTEM.

THIS PRODUCT HAS BEEN DESIGNED AND TESTED TO COMPLY WITH THE REQUIREMENTS OF THE 2020 (7TH EDITION)/2023 (8TH EDITION) FLORIDA BUILDING CODE INCLUDING HIGH VELOCITY HURRICANE ZONE (HVHZ).

ALL GLAZING PRODUCTS USED WITH THESE MULLIONS MUST MEET THE APPLICABLE BUILDING CODE REQUIREMENTS I.E: WIND LOAD, WATER INFILTRATION, FORCED ENTRY RESISTANCE, SAFEGUARDS ETC.

1BY OR 2BY WOOD BUCKS & BUCK FASTENERS BY OTHERS, MUST BE DESIGNED AND INSTALLED ADEQUATELY TO TRANSFER APPLIED PRODUCT LOADS TO THE BUILDING STRUCTURE.

ANCHORS SHALL BE CORROSION RESISTANT, SPACED AS SHOWN ON DETAILS AND INSTALLED PER MANUF'S INSTRUCTIONS. SPECIFIED EMBEDMENT TO BASE MATERIAL SHALL BE BEYOND WALL DRESSING OR STUCCO.

A LOAD DURATION INCREASE IS USED IN DESIGN OF ANCHORS INTO WOOD ONLY.

ALL SHIMS TO BE HIGH IMPACT, NON-METALLIC AND NON-COMPRESSIBLE.

MATERIALS INCLUDING BUT NOT LIMITED TO STEEL/METAL SCREWS, THAT COME INTO CONTACT WITH OTHER DISSIMILAR MATERIALS SHALL MEET THE REQUIREMENTS OF THE 2020/2023 FLORIDA BLDG. CODE & ADOPTED STANDARDS.

THIS PRODUCT APPROVAL IS GENERIC AND DOES NOT PROVIDE INFORMATION FOR A SITE SPECIFIC PROJECT, i.e. LIFE SAFETY OF THIS PRODUCT, ADEQUACY OF STRUCTURE RECEIVING THIS PRODUCT AND SEALING AROUND OPENING FOR WATER INFILTRATION RESISTANCE ETC. CONDITIONS NOT SHOWN IN THIS DRAWING ARE TO BE ANALYZED SEPARATELY, AND TO BE REVIEWED BY BUILDING OFFICIAL.

DESIGN LOADS SHOWN ARE BASED ON 'ALLOWABLE STRESS DESIGN (ASD)'.

MANUFACTURER'S LABEL SHALL BE LOCATED ON A READILY VISIBLE LOCATION IN ACCORDANCE WITH SECTION 1709.9.3 OF FLORIDA BUILDING CODE. LABELING TO COMPLY WITH SECTION 1709.9.2.

INSTRUCTIONS:

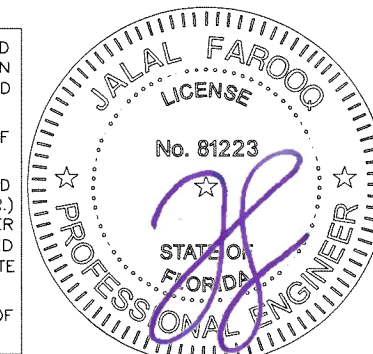
USE CHARTS AND GRAPHS AS FOLLOWS.

- STEP 1** DETERMINE DESIGN LOAD REQUIRED PER ASCE 7 FOR PARTICULAR OPENING.
- STEP 2** USE F.B.C. APPROVED GLAZING PRODUCTS MEETING ABOVE LOAD REQUIREMENTS.
- STEP 3** USE GLAZING PRODUCT CONNECTION TO MULLION AS AS PER PRODUCT APPROVAL.
- STEP 4** USING CHARTS ON SHEET 3 & 3.1 SELECT MULLION SIZE WITH DESIGN RATING MORE THAN DESIGN LOAD SPECIFIED IN STEP 1 ABOVE.
- STEP 5** USING ANCHOR TYPES AND ANCHOR CAPACITY CHARTS ON SHEETS 4 THRU 18, SELECT ANCHOR TYPE WITH DESIGN RATING MORE THAN THE DESIGN LOADS SPECIFIED IN STEP 1 ABOVE.

Sealed: 7/26/2023

FL #34545

- A- CONTRACTOR TO BE RESPONSIBLE FOR THE SELECTION, PURCHASE AND INSTALLATION OF THIS PRODUCT BASED ON THIS PRODUCT EVALUATION PROVIDED HE/SHE DOES NOT DEVIATE FROM THE CONDITIONS DETAILED ON THIS DOCUMENT.
- B- THIS PRODUCT EVALUATION DOCUMENT WILL BE CONSIDERED INVALID IF ALTERED BY ANY MEANS.
- C- SITE SPECIFIC PROJECTS SHALL BE PREPARED BY A FLORIDA REGISTERED ENGINEER OR ARCHITECT WHICH WILL BECOME THE ENGINEER OF RECORD (E.O.R.) FOR THE PROJECT AND WHO WILL BE RESPONSIBLE FOR THE PROPER USE OF THE P.E.D. ENGINEER OF RECORD, ACTING AS A DELEGATED ENGINEER TO THE P.E.D. ENGINEER SHALL SUBMIT TO THIS LATTER THE SITE SPECIFIC DRAWINGS FOR REVIEW.
- D- THIS P.E.D. SHALL BEAR THE DATE AND ORIGINAL SEAL AND SIGNATURE OF THE PROFESSIONAL ENGINEER OF RECORD THAT PREPARED IT.



afc
AL-FAROOQ CORPORATION
ENGINEERS & PRODUCT DEVELOPMENT
9360 SUNSET DRIVE, SUITE 220
MIAMI, FLORIDA 33173 (C.A.N. 3538)
TEL. (305) 264-8100 FAX. (305) 262-6978
MULLION\M15-06SIW

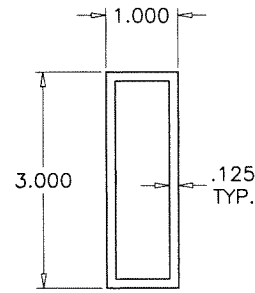
Clipped, Extruded Aluminum Tube Mullion
MARVIN
PO Box 100, 401 State Ave. N.
Warrroad, MN. 56763
Tel. (218) 386-1430 Ext. 2143

no	date	by	description
A	11.10.17		UPDATED TO 2017 FBC
B	12.10.18		COMPANY NAME REV.
C	08.26.20		UPDATED TO 2020 FBC
D	07.25.23		UPDATED TO 2023 FBC

date: 07-30-15
scale: 3/8" = 1"
dr. by: TARIQ
chk. by:

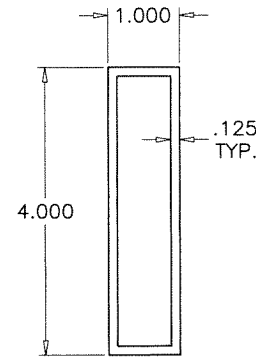
drawing no.
M15-06

sheet 1 of 18



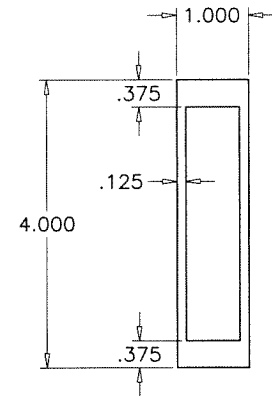
$I_x = .9502 \text{ IN}^4$
 $S_x = .6335 \text{ IN}^3$

1 X 3
STD. MULLION
 6063-T6



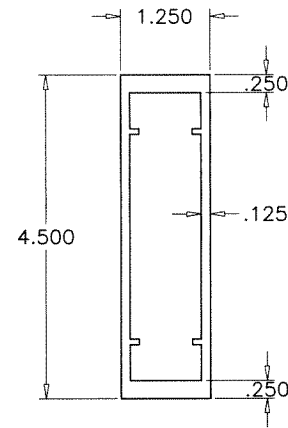
$I_x = 2.0374 \text{ IN}^4$
 $S_x = 1.0187 \text{ IN}^3$

1 X 4
STD. MULLION
 6063-T6



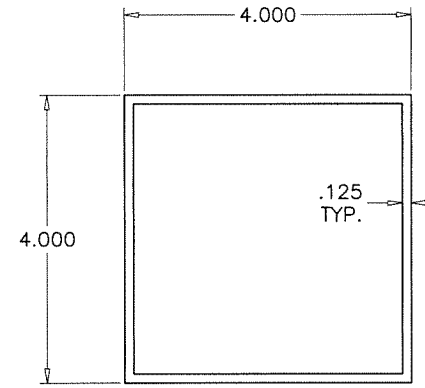
$I_x = 3.1878 \text{ IN}^4$
 $S_x = 1.5939 \text{ IN}^3$

1 X 4
CUSTOM MULLION
 6063-T6



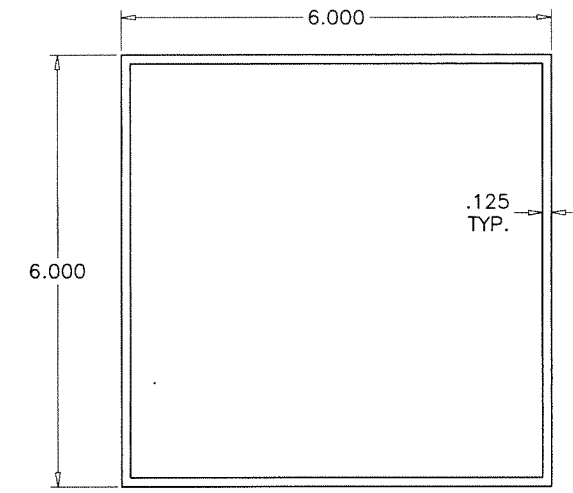
$I_x = 4.2421 \text{ IN}^4$
 $S_x = 1.8854 \text{ IN}^3$

1-1/4 X 4-1/2
CUSTOM MULLION
 6063-T6



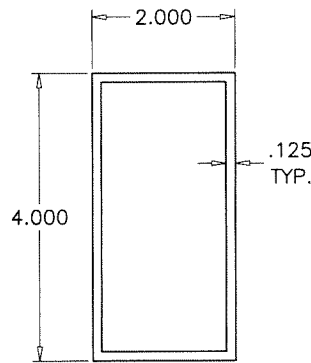
$I_x = 4.8538 \text{ IN}^4$
 $S_x = 2.4269 \text{ IN}^3$

4 X 4
STD. MULLION
 6063-T6



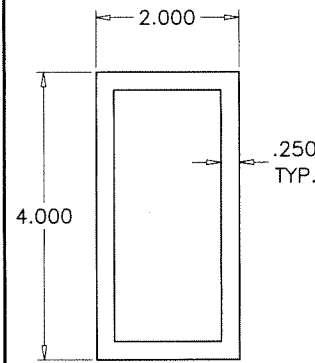
$I_x = 16.9059 \text{ IN}^4$
 $S_x = 5.6353 \text{ IN}^3$

6 X 6
STD. MULLION
 6063-T6



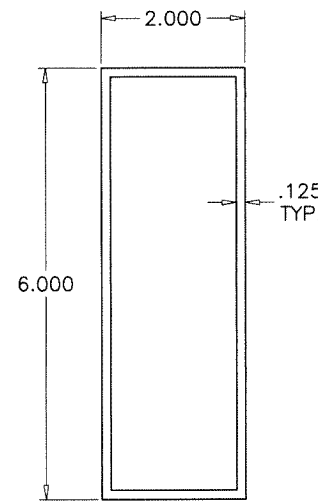
$I_x = 2.9762 \text{ IN}^4$
 $S_x = 1.4881 \text{ IN}^3$

2 X 4
STD. MULLION
 6063-T6



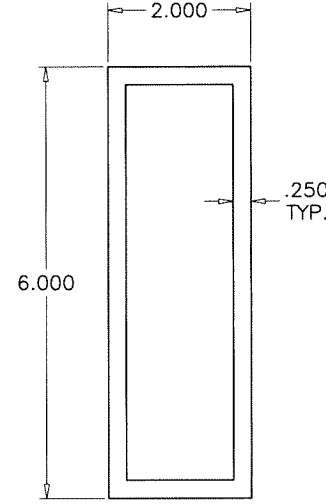
$I_x = 5.3073 \text{ IN}^4$
 $S_x = 2.6536 \text{ IN}^3$

2 X 4
HEAVY MULLION
 6063-T6



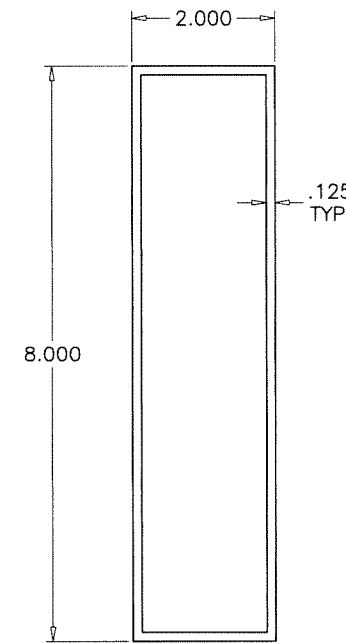
$I_x = 8.2757 \text{ IN}^4$
 $S_x = 2.7586 \text{ IN}^3$

2 X 6
STD. MULLION
 6063-T6



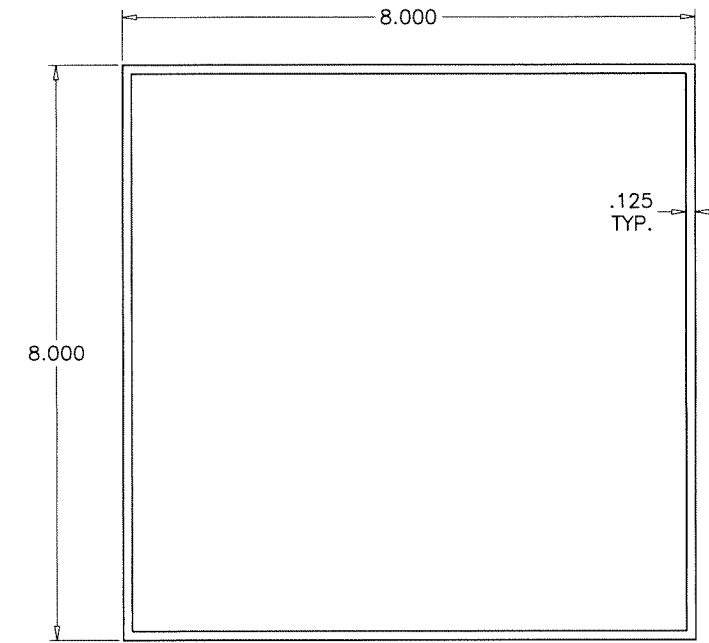
$I_x = 15.2031 \text{ IN}^4$
 $S_x = 5.0677 \text{ IN}^3$

2 X 6
HEAVY MULLION
 6063-T6



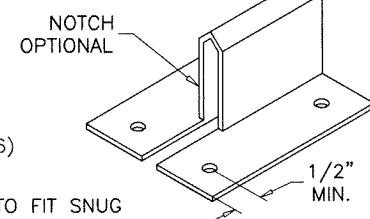
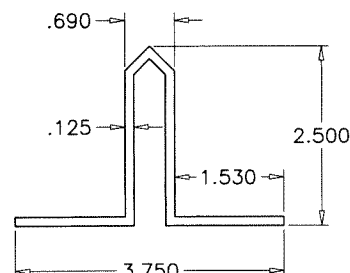
$I_x = 17.4502 \text{ IN}^4$
 $S_x = 4.3625 \text{ IN}^3$

2 X 8
STD. MULLION
 6063-T6

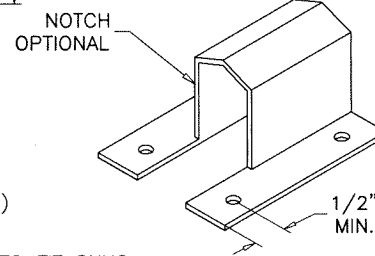
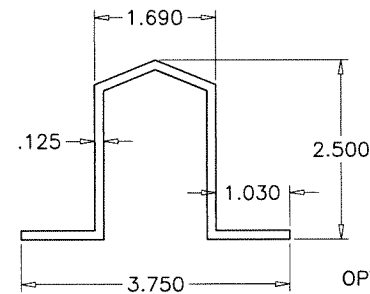


$I_x = 40.7080 \text{ IN}^4$
 $S_x = 10.1770 \text{ IN}^3$

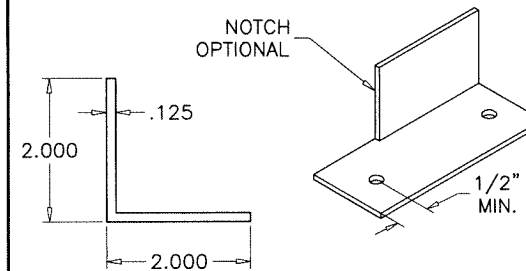
8 X 8
STD. MULLION
 6063-T6



MULLION CLIP (6063-T6)
 (ALT. TO ANGLES)
 CLIP LENGTHS MUST BE CUT TO FIT SNUG
 INTO 1BY TUBE MULLIONS.



MULLION CLIP (6063-T6)
 (ALT. TO ANGLES)
 CLIP LENGTHS MUST BE CUT TO FIT SNUG
 INTO 2BY TUBE MULLIONS.

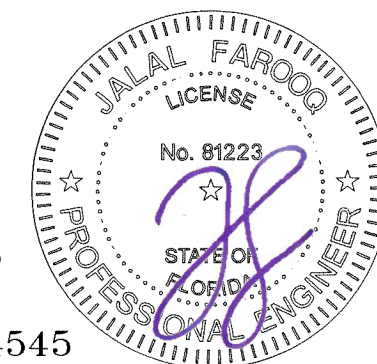


ANGLE CLIP
 6063-T6

THESE MULLIONS CAN ONLY BE USED WITH
 'MARVIN' GLAZING PRODUCTS

Sealed: 7/26/2023

FL #34545



Clipped, Extruded Aluminum Tube Mullion



PO Box 100, 401 State Ave. N.
 Warroad, MN. 56763
 Tel. (218) 386-1430 Ext. 2143

revisions:
 no. date by description

date: 07-30-15
 scale: 3/8" = 1"
 dr. by: TARIQ
 chk. by:

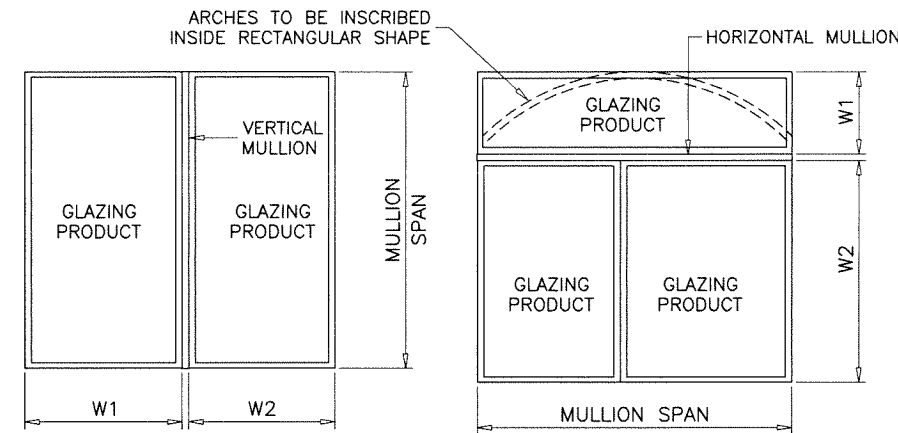
drawing no.
M15-06
 sheet 2 of 18

af c
AL-FAROOQ CORPORATION
 ENGINEERS & PRODUCT DEVELOPMENT
 9360 SUNSET DRIVE, SUITE 220
 MIAMI, FLORIDA 33173 (C.A.N. 3538)
 TEL. (305) 264-8100 FAX. (305) 262-6978
 MULLION\M15-06SIW

DESIGN LOAD CAPACITY - PSF (TUBE MULLIONS)							
WINDOW DIMS.		1 X 3	1 X 4	1 X 4	1-1/4 X 4-1/2	2 X 4	2 X 4
WIDTH (W)	MULL SPAN	STD.	STD.	CUSTOM	CUSTOM	STD.	HEAVY
19-1/8"	38-3/8"	130.0	130.0	130.0	130.0	130.0	130.0
26-1/2"		130.0	130.0	130.0	130.0	130.0	130.0
30"		130.0	130.0	130.0	130.0	130.0	130.0
37"		130.0	130.0	130.0	130.0	130.0	130.0
42"		130.0	130.0	130.0	130.0	130.0	130.0
48"		130.0	130.0	130.0	130.0	130.0	130.0
54"		127.8	130.0	130.0	130.0	130.0	130.0
60"		115.0	130.0	130.0	130.0	130.0	130.0
66"		104.5	130.0	130.0	130.0	130.0	130.0
72"	95.8	130.0	130.0	130.0	130.0	130.0	
19-1/8"	50-5/8"	130.0	130.0	130.0	130.0	130.0	130.0
26-1/2"		130.0	130.0	130.0	130.0	130.0	130.0
30"		130.0	130.0	130.0	130.0	130.0	130.0
37"		105.7	130.0	130.0	130.0	130.0	130.0
42"		93.1	130.0	130.0	130.0	130.0	130.0
48"		81.5	128.6	130.0	130.0	130.0	130.0
54"		72.4	114.3	130.0	130.0	130.0	130.0
60"		65.2	102.9	130.0	130.0	130.0	130.0
66"		59.3	93.5	130.0	130.0	130.0	130.0
72"	54.3	85.7	130.0	130.0	128.2	130.0	
19-1/8"	63"	123.3	130.0	130.0	130.0	130.0	130.0
26-1/2"		89.0	130.0	130.0	130.0	130.0	130.0
30"		78.6	130.0	130.0	130.0	130.0	130.0
37"		63.7	106.2	130.0	130.0	130.0	130.0
42"		56.1	93.5	130.0	130.0	130.0	130.0
48"		49.1	81.8	124.0	130.0	122.7	130.0
54"		43.7	72.7	110.2	130.0	109.1	130.0
60"		39.3	65.5	99.2	118.8	98.2	130.0
66"		35.7	59.5	90.2	108.0	89.2	130.0
72"	32.8	54.6	82.7	99.0	81.8	130.0	
19-1/8"	74-1/4"	75.3	130.0	130.0	130.0	130.0	130.0
26-1/2"		54.4	105.4	130.0	130.0	130.0	130.0
30"		48.0	93.1	130.0	130.0	130.0	130.0
37"		38.9	75.5	114.1	130.0	113.5	130.0
42"		34.3	66.5	100.5	120.4	100.0	130.0
48"		30.0	58.2	87.9	105.4	87.5	130.0
54"		26.7	51.7	78.1	93.7	77.8	130.0
60"		24.0	46.6	70.3	84.3	70.0	122.2
66"		21.8	42.3	63.9	76.6	63.6	111.1
72"	20.0	38.8	58.6	70.3	58.3	101.9	
19-1/8"	78"	65.0	130.0	130.0	130.0	130.0	130.0
26-1/2"		46.9	95.2	130.0	130.0	130.0	130.0
30"		41.4	84.1	126.8	130.0	126.5	130.0
37"		33.6	68.2	102.8	123.3	102.6	130.0
42"		29.6	60.1	90.6	108.6	90.3	130.0
48"		25.9	52.5	79.3	95.1	79.1	130.0
54"		23.0	46.7	70.5	84.5	70.3	122.6
60"		20.7	42.0	63.4	76.1	63.2	110.4
66"		-	38.2	57.7	69.1	57.5	100.3
72"	-	35.0	52.9	63.4	52.7	92.0	

DESIGN LOAD CAPACITY - PSF (TUBE MULLIONS)							
WINDOW DIMS.		1 X 3	1 X 4	1 X 4	1-1/4 X 4-1/2	2 X 4	2 X 4
WIDTH (W)	MULL SPAN	STD.	STD.	CUSTOM	CUSTOM	STD.	HEAVY
19-1/8"	84"	52.0	111.5	130.0	130.0	130.0	130.0
26-1/2"		37.5	80.5	122.9	130.0	117.6	130.0
30"		33.2	71.1	108.5	130.0	103.9	130.0
37"		26.9	57.7	88.0	105.6	84.2	130.0
42"		23.7	50.8	77.5	93.0	74.2	130.0
48"		20.7	44.4	67.8	81.4	64.9	115.8
54"		-	39.5	60.3	72.4	57.7	102.9
60"		-	35.6	54.3	65.1	51.9	92.6
66"		-	32.3	49.3	59.2	47.2	84.2
72"	-	29.6	45.2	54.3	43.3	77.2	
19-1/8"	96"	34.8	74.7	116.9	130.0	109.1	130.0
26-1/2"		25.1	53.9	84.4	111.4	78.8	130.0
30"		22.2	47.6	74.5	98.4	69.6	124.1
37"		-	38.6	60.4	79.8	56.4	100.6
42"		-	34.0	53.2	70.3	49.7	88.6
48"		-	29.8	46.6	61.5	43.5	77.6
54"		-	26.5	41.4	54.7	38.7	68.9
60"		-	23.8	37.3	49.2	34.8	62.0
66"		-	21.7	33.9	44.7	31.6	56.4
72"	-	-	31.1	41.0	29.0	51.7	
19-1/8"	108"	24.5	52.5	82.1	109.3	76.7	130.0
26-1/2"		-	37.9	59.3	78.9	55.3	98.7
30"		-	33.5	52.3	69.7	48.9	87.1
37"		-	27.1	42.4	56.5	39.6	70.7
42"		-	23.9	37.4	49.8	34.9	62.2
48"		-	20.9	32.7	43.5	30.5	54.5
54"		-	-	29.1	38.7	27.1	48.4
60"		-	-	26.2	34.8	24.4	43.6
66"		-	-	23.8	31.7	22.2	39.6
72"	-	-	21.8	29.0	20.4	36.3	
19-1/8"	120"	-	38.3	59.9	79.7	55.9	99.7
26-1/2"		-	27.6	43.2	57.5	40.3	71.9
30"		-	24.4	38.2	50.8	35.6	63.5
37"		-	-	30.9	41.2	28.9	51.5
42"		-	-	27.3	36.3	25.4	45.4
48"		-	-	23.8	31.7	22.3	39.7
54"		-	-	21.2	28.2	-	35.3
60"		-	-	-	25.4	-	31.8
66"		-	-	-	23.1	-	28.9
72"	-	-	-	21.2	-	26.5	
19-1/8"	132"	-	28.7	45.0	59.8	42.0	74.9
26-1/2"		-	20.7	32.5	43.2	30.3	54.0
30"		-	-	28.7	38.2	26.8	47.7
37"		-	-	23.2	30.9	21.7	38.7
42"		-	-	20.5	27.3	-	34.1
48"		-	-	-	23.8	-	29.8
54"		-	-	-	21.2	-	26.5
60"		-	-	-	-	-	23.9
66"		-	-	-	-	-	21.7
72"	-	-	-	-	-	-	
19-1/8"	144"	-	22.1	34.6	46.1	32.3	57.7
26-1/2"		-	-	25.0	33.3	23.3	41.6
30"		-	-	22.1	29.4	20.6	36.8
37"		-	-	-	23.8	-	29.8
42"		-	-	-	21.0	-	26.3
48"		-	-	-	-	-	23.0
54"	-	-	-	-	-	20.4	

ALL LOADS ARE EXT.(+)/INT.(-).



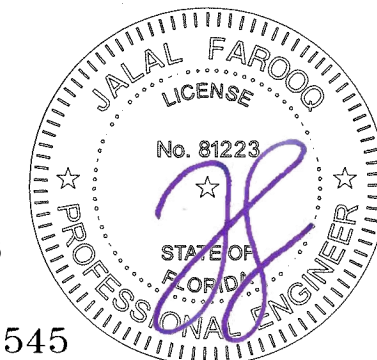
TYPICAL MULLION ARRANGEMENTS

$$\text{WIDTH (W)} = \frac{W1 + W2}{2}$$

NOTE:
MULLIONS RATED IN THESE CHARTS MAY BE ORIENTED VERTICALLY OR HORIZONTALLY.
(INTERPOLATION BETWEEN WIDTHS ALLOWED)

MULLIONS

Sealed: 7/26/2023



FL #34545

a f c
AL-FAROOQ CORPORATION
 ENGINEERS & PRODUCT DEVELOPMENT
 9360 SUNSET DRIVE, SUITE 220 (C.A.N. 3538)
 MIAMI, FLORIDA 33173 FAX. (305) 262-6978
 TEL. (305) 264-8100

Clipped, Extruded Aluminum Tube Mullion
MARVIN
 PO Box 100, 401 State Ave. N.
 Warroad, MN. 56763
 Tel. (218) 386-1430 Ext. 2143

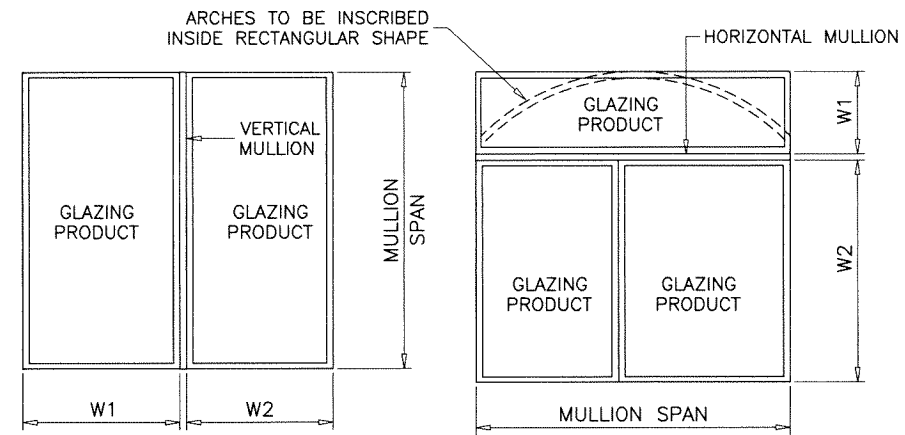
no	date	description

date: 07-30-15
 scale: 1/2" = 1"
 dr. by: TARIQ
 chk. by:

drawing no.
M15-06
 sheet 3 of 18

DESIGN LOAD CAPACITY - PSF (TUBE MULLIONS)							
WINDOW DIMS.		4 X 4	2 X 6	2 X 6	2 X 8	6 X 6	8 X 8
WIDTH (W)	MULL SPAN	STD.	STD.	HEAVY	STD.	STD.	STD.
19-1/8"	38-3/8"	130.0	130.0	130.0	130.0	130.0	130.0
26-1/2"		130.0	130.0	130.0	130.0	130.0	130.0
30"		130.0	130.0	130.0	130.0	130.0	130.0
37"		130.0	130.0	130.0	130.0	130.0	130.0
42"		130.0	130.0	130.0	130.0	130.0	130.0
48"		130.0	130.0	130.0	130.0	130.0	130.0
54"		130.0	130.0	130.0	130.0	130.0	130.0
60"		130.0	130.0	130.0	130.0	130.0	130.0
66"		130.0	130.0	130.0	130.0	130.0	130.0
72"	130.0	130.0	130.0	130.0	130.0	130.0	
19-1/8"	50-5/8"	130.0	130.0	130.0	130.0	130.0	130.0
26-1/2"		130.0	130.0	130.0	130.0	130.0	130.0
30"		130.0	130.0	130.0	130.0	130.0	130.0
37"		130.0	130.0	130.0	130.0	130.0	130.0
42"		130.0	130.0	130.0	130.0	130.0	130.0
48"		130.0	130.0	130.0	130.0	130.0	130.0
54"		130.0	130.0	130.0	130.0	130.0	130.0
60"		130.0	130.0	130.0	130.0	130.0	130.0
66"		130.0	130.0	130.0	130.0	130.0	130.0
72"	130.0	130.0	130.0	130.0	130.0	130.0	
19-1/8"	63"	130.0	130.0	130.0	130.0	130.0	130.0
26-1/2"		130.0	130.0	130.0	130.0	130.0	130.0
30"		130.0	130.0	130.0	130.0	130.0	130.0
37"		130.0	130.0	130.0	130.0	130.0	130.0
42"		130.0	130.0	130.0	130.0	130.0	130.0
48"		130.0	130.0	130.0	130.0	130.0	130.0
54"		130.0	130.0	130.0	130.0	130.0	130.0
60"		130.0	130.0	130.0	130.0	130.0	130.0
66"		130.0	130.0	130.0	130.0	130.0	130.0
72"	130.0	130.0	130.0	130.0	130.0	130.0	
19-1/8"	74-1/4"	130.0	130.0	130.0	130.0	130.0	130.0
26-1/2"		130.0	130.0	130.0	130.0	130.0	130.0
30"		130.0	130.0	130.0	130.0	130.0	130.0
37"		130.0	130.0	130.0	130.0	130.0	130.0
42"		130.0	130.0	130.0	130.0	130.0	130.0
48"		130.0	130.0	130.0	130.0	130.0	130.0
54"		129.0	130.0	130.0	130.0	130.0	130.0
60"		116.1	125.9	130.0	130.0	130.0	130.0
66"		105.6	114.5	130.0	130.0	130.0	130.0
72"	96.8	105.0	130.0	130.0	130.0	130.0	
19-1/8"	78"	130.0	130.0	130.0	130.0	130.0	130.0
26-1/2"		130.0	130.0	130.0	130.0	130.0	130.0
30"		130.0	130.0	130.0	130.0	130.0	130.0
37"		130.0	130.0	130.0	130.0	130.0	130.0
42"		130.0	130.0	130.0	130.0	130.0	130.0
48"		130.0	130.0	130.0	130.0	130.0	130.0
54"		116.6	126.3	130.0	130.0	130.0	130.0
60"		105.0	113.7	130.0	130.0	130.0	130.0
66"		95.4	103.4	130.0	130.0	130.0	130.0
72"	87.5	94.7	130.0	130.0	130.0	130.0	

DESIGN LOAD CAPACITY - PSF (TUBE MULLIONS)							
WINDOW DIMS.		4 X 4	2 X 6	2 X 6	2 X 8	6 X 6	8 X 8
WIDTH (W)	MULL SPAN	STD.	STD.	HEAVY	STD.	STD.	STD.
19-1/8"	84"	130.0	130.0	130.0	130.0	130.0	130.0
26-1/2"		130.0	130.0	130.0	130.0	130.0	130.0
30"		130.0	130.0	130.0	130.0	130.0	130.0
37"		130.0	130.0	130.0	130.0	130.0	130.0
42"		121.0	130.0	130.0	130.0	130.0	130.0
48"		105.9	121.8	130.0	130.0	130.0	130.0
54"		94.1	108.3	130.0	130.0	130.0	130.0
60"		84.7	97.4	130.0	130.0	130.0	130.0
66"		77.0	88.6	130.0	130.0	130.0	130.0
72"	70.6	81.2	130.0	124.6	130.0	130.0	
19-1/8"	96"	130.0	130.0	130.0	130.0	130.0	130.0
26-1/2"		128.5	130.0	130.0	130.0	130.0	130.0
30"		113.5	130.0	130.0	130.0	130.0	130.0
37"		92.0	119.6	130.0	130.0	130.0	130.0
42"		81.1	105.3	130.0	130.0	130.0	130.0
48"		70.9	92.2	130.0	130.0	130.0	130.0
54"		63.0	81.9	130.0	125.4	130.0	130.0
60"		56.7	73.7	130.0	112.9	130.0	130.0
66"		51.6	67.0	119.0	102.6	130.0	130.0
72"	47.3	61.4	109.1	94.1	130.0	130.0	
19-1/8"	108"	125.0	130.0	130.0	130.0	130.0	130.0
26-1/2"		90.2	130.0	130.0	130.0	130.0	130.0
30"		79.7	115.2	130.0	130.0	130.0	130.0
37"		64.6	93.4	130.0	130.0	130.0	130.0
42"		56.9	82.3	130.0	125.7	130.0	130.0
48"		49.8	72.0	127.6	110.0	130.0	130.0
54"		44.3	64.0	113.4	97.8	130.0	130.0
60"		39.9	57.6	102.1	88.0	122.9	130.0
66"		36.2	52.4	92.8	80.0	111.8	130.0
72"	33.2	48.0	85.0	73.3	102.4	130.0	
19-1/8"	120"	91.1	130.0	130.0	130.0	130.0	130.0
26-1/2"		65.8	104.6	130.0	130.0	130.0	130.0
30"		58.1	92.4	130.0	130.0	130.0	130.0
37"		47.1	74.9	130.0	114.1	130.0	130.0
42"		41.5	66.0	116.6	100.5	130.0	130.0
48"		36.3	57.7	102.0	88.0	123.5	130.0
54"		32.3	51.3	90.7	78.2	109.8	130.0
60"		29.1	46.2	81.6	70.4	98.8	130.0
66"		26.4	42.0	74.2	64.0	89.8	130.0
72"	24.2	38.5	68.0	58.6	82.3	130.0	
19-1/8"	132"	68.5	116.7	130.0	130.0	130.0	130.0
26-1/2"		49.4	84.3	130.0	130.0	130.0	130.0
30"		43.7	74.4	130.0	114.9	130.0	130.0
37"		35.4	60.3	108.0	93.2	123.3	130.0
42"		31.2	53.2	95.1	82.1	108.6	130.0
48"		27.3	46.5	83.3	71.8	95.0	130.0
54"		24.3	41.3	74.0	63.8	84.5	130.0
60"		21.8	37.2	66.6	57.4	76.0	130.0
66"		-	33.8	60.5	52.2	69.1	130.0
72"	-	31.0	55.5	47.9	63.4	120.4	
19-1/8"	144"	52.7	89.9	130.0	130.0	130.0	130.0
26-1/2"		38.1	64.9	119.2	108.0	130.0	130.0
30"		33.6	57.3	105.3	95.4	117.1	130.0
37"		27.3	46.5	85.4	77.3	95.0	130.0
42"		24.0	40.9	75.2	68.1	83.7	130.0
48"		21.0	35.8	65.8	59.6	73.2	130.0
54"		-	31.8	58.5	53.0	65.1	130.0



TYPICAL MULLION ARRANGEMENTS

$$\text{WIDTH (W)} = \frac{W1 + W2}{2}$$

NOTE:
MULLIONS RATED IN THESE CHARTS MAY BE ORIENTED VERTICALLY OR HORIZONTALLY.
(INTERPOLATION BETWEEN WIDTHS ALLOWED)

MULLIONS

THESE MULLIONS CAN ONLY BE USED WITH 'MARVIN' GLAZING PRODUCTS



Sealed: 7/26/2023

FL #34545

ALL LOADS ARE EXT.(+)/INT.(-).

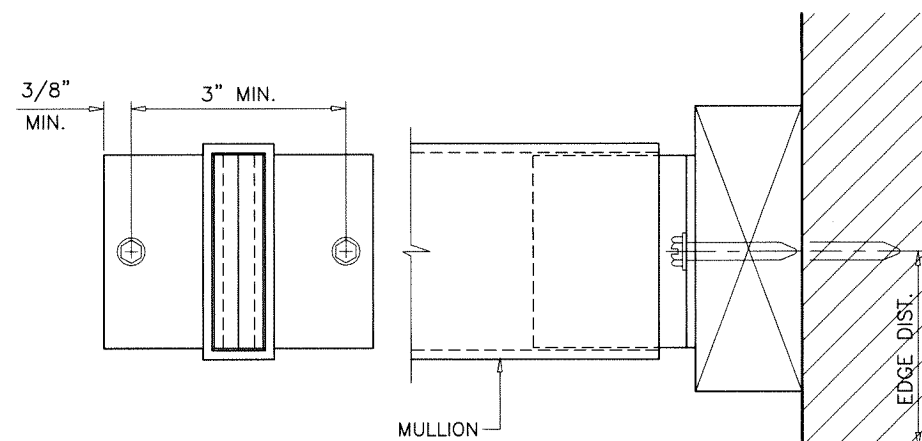
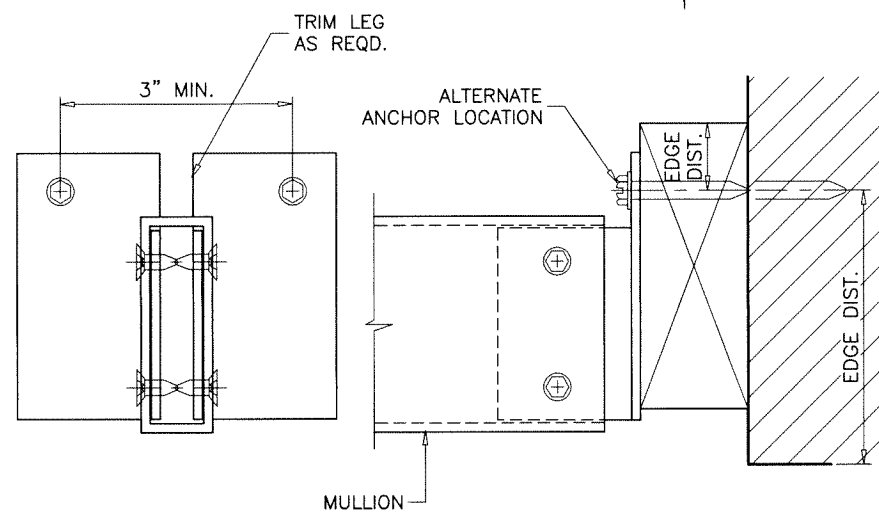
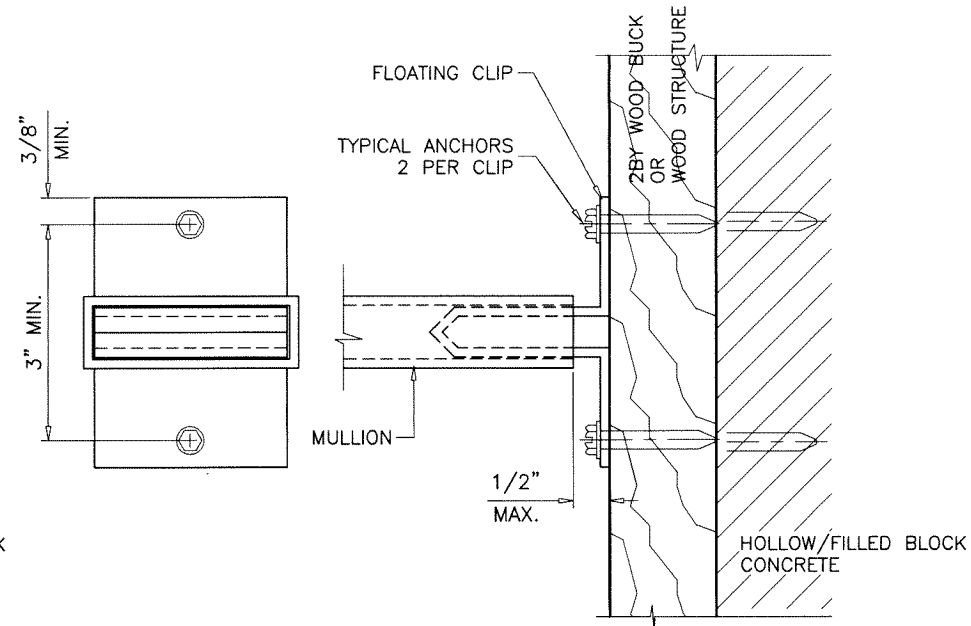
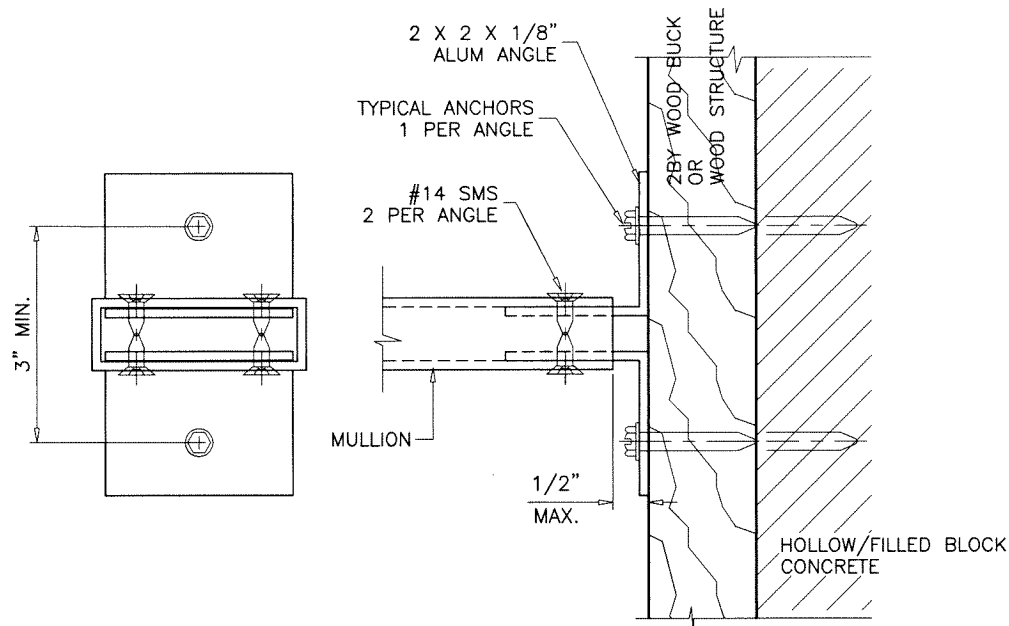
af c
AL-FAROOQ CORPORATION
 ENGINEERS & PRODUCT DEVELOPMENT
 9360 SUNSET DRIVE, SUITE 220
 MIAMI, FLORIDA 33173 (C.A.N. 3538)
 TEL. (305) 264-8100 FAX. (305) 262-6978
 MULLION M15-06SIW

Clipped, Extruded Aluminum Tube Mullion
MARVIN
 PO Box 100, 401 State Ave. N.
 Warrroad, MN. 56763
 Tel. (218) 386-1430 Ext. 2143

no	date	description

date: 07-30-15	scale: 1/2" = 1"	dr. by: TARIQ	chk. by:
----------------	------------------	---------------	----------

drawing no.
M15-06
 sheet 3.1 of 18



TYPICAL ANCHORS TYPE 'W2'
 INTO 2BY WOOD BUCKS OR WOOD STRUCTURES
 THRU 1BY BUCKS INTO CONC. OR MASONRY
 SEE SHEET 6 FOR ANCHOR CAPACITIES

af c
AL-FAROOQ CORPORATION
 ENGINEERS & PRODUCT DEVELOPMENT
 9360 SUNSET DRIVE, SUITE 220
 MIAMI, FLORIDA 33173 (C.A.N. 3538)
 TEL. (305) 264-8100 FAX. (305) 262-6978
 MULLION M15-06SIW

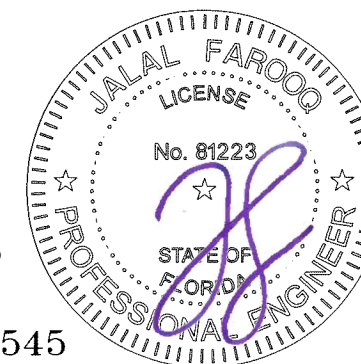
Clipped, Extruded Aluminum Tube Mullion
MARVIN
 PO Box 100, 401 State Ave. N.
 Warroad, MN. 56763
 Tel. (218) 386-1430 Ext. 2143

no	date	by	description

date: 07-30-15
 scale: 3/8" = 1"
 dr. by: TARIQ
 chk. by:

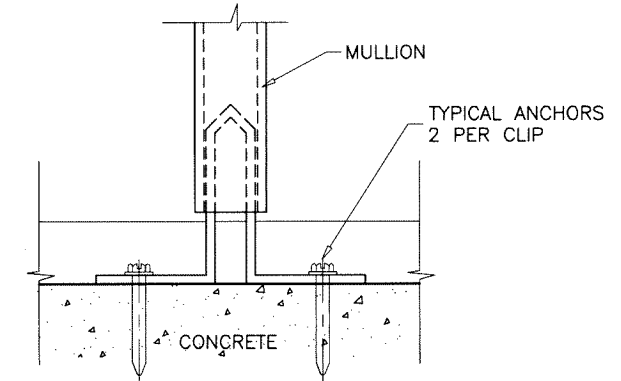
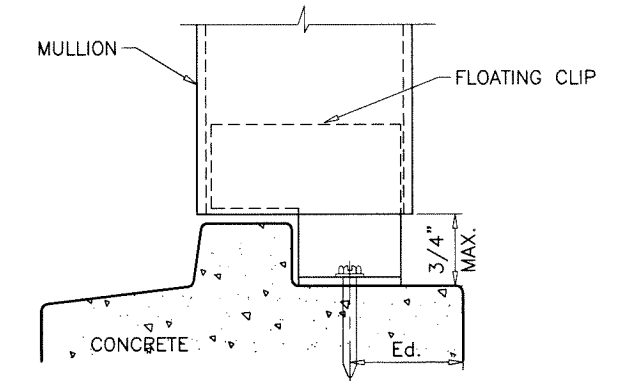
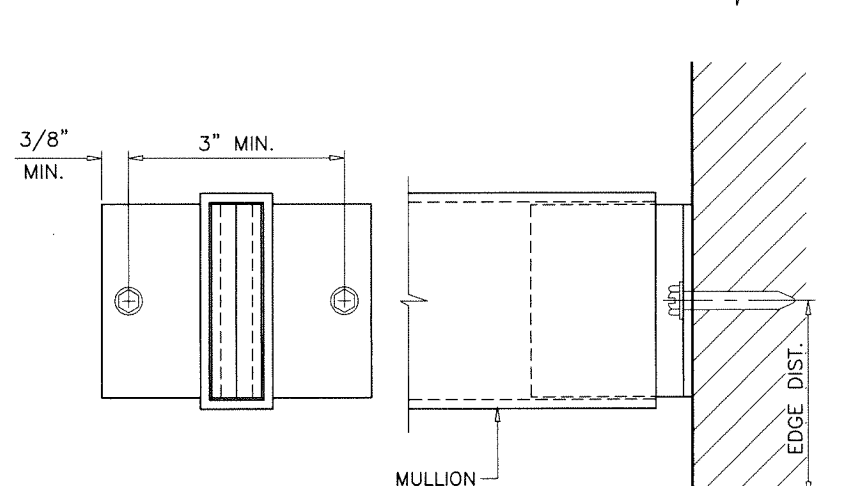
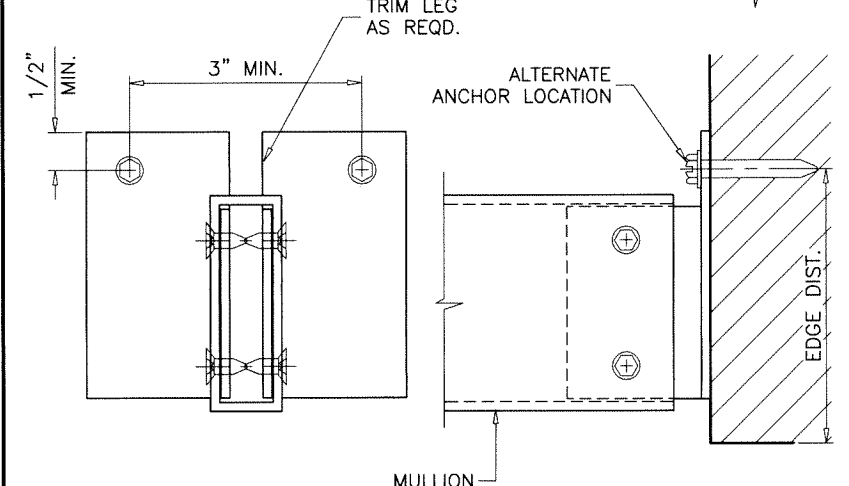
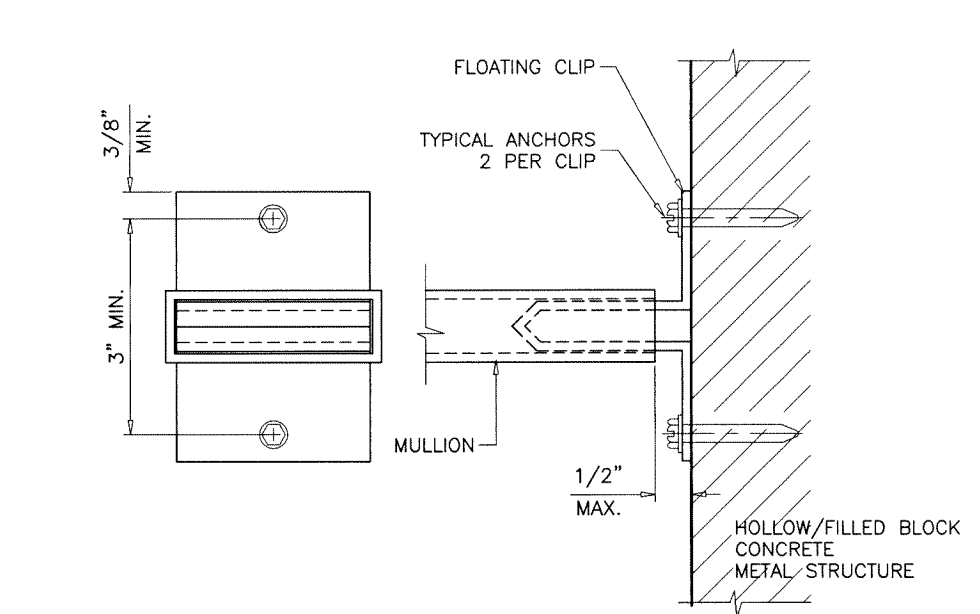
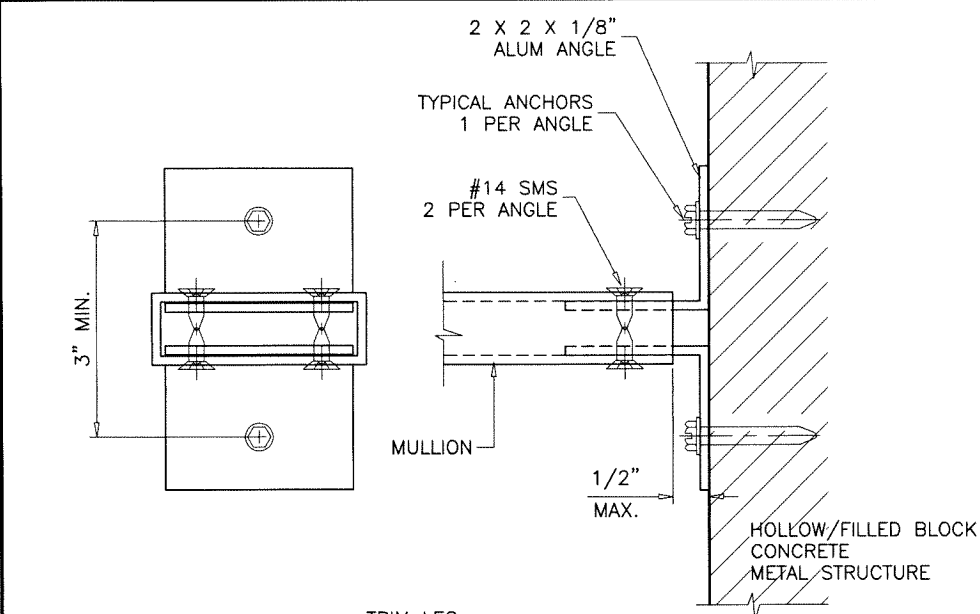
drawing no.
M15-06
 sheet 4 of 18

Sealed: 7/26/2023



THESE MULLIONS CAN ONLY BE USED WITH
 'MARVIN' GLAZING PRODUCTS

FL #34545



TYPICAL ANCHORS TYPE 'B2', 'C2', 'M2'

DIRECTLY INTO HOLLOW/FILLED BLOCK
 DIRECTLY INTO CONCRETE
 INTO METAL STRUCTURES

SEE SHEET 6 FOR ANCHOR CAPACITIES

THESE MULLIONS CAN ONLY BE USED WITH
 'MARVIN' GLAZING PRODUCTS

Sealed: 7/26/2023

FL #34545



af c
AL-FAROOQ CORPORATION
 ENGINEERS & PRODUCT DEVELOPMENT
 9360 SUNSET DRIVE, SUITE 220
 MIAMI, FLORIDA 33173 (C.A.N. 3538)
 TEL. (305) 264-8100 FAX. (305) 262-6978
 MULLION M15-06SIW

Clipped, Extruded Aluminum Tube Mullion
MARVIN
 PO Box 100, 401 State Ave. N.
 Warroad, MN. 56763
 Tel. (218) 386-1430 Ext. 2143

no	date	by	description

date: 07-30-15	scale: 3/8" = 1"
dr. by: TARIQ	chk. by:

drawing no.	M15-06
sheet	5 of 18

DESIGN LOAD CAPACITY - PSF					
WINDOW DIMS.		ANCHORS TYPE			
WIDTH (W)	MULL SPAN	W2	B2	C2	M2
19-1/8"	38-3/8"	130.0	117.7	130.0	130.0
26-1/2"		130.0	85.0	130.0	130.0
30"		129.1	75.0	130.0	130.0
37"		104.7	60.9	130.0	130.0
42"		92.2	53.6	119.4	130.0
48"		80.7	46.9	104.4	122.1
54"		71.7	41.7	92.8	108.5
60"		64.5	37.5	83.6	97.7
66"		58.7	34.1	76.0	88.8
72"	53.8	31.3	69.6	81.4	
19-1/8"	50-5/8"	130.0	89.2	130.0	130.0
26-1/2"		110.8	64.4	130.0	130.0
30"		97.8	56.9	126.7	130.0
37"		79.3	46.1	102.7	120.1
42"		69.9	40.6	90.5	105.8
48"		61.2	35.6	79.2	92.6
54"		54.4	31.6	70.4	82.3
60"		48.9	28.4	63.3	74.1
66"		44.5	25.9	57.6	67.3
72"	40.8	23.7	52.8	61.7	
19-1/8"	63"	123.3	71.7	130.0	130.0
26-1/2"		89.0	51.8	115.2	130.0
30"		78.6	45.7	101.8	119.0
37"		63.8	37.1	82.5	96.5
42"		56.2	32.7	72.7	85.0
48"		49.1	28.6	63.6	74.4
54"		43.7	25.4	56.6	66.1
60"		39.3	22.9	50.9	59.5
66"		35.7	20.8	46.3	54.1
72"	32.8	-	42.4	49.6	
19-1/8"	74-1/4"	104.7	60.8	130.0	130.0
26-1/2"		75.5	43.9	97.8	114.3
30"		66.7	38.8	86.4	101.0
37"		54.1	31.4	70.0	81.9
42"		47.7	27.7	61.7	72.1
48"		41.7	24.2	54.0	63.1
54"		37.1	21.5	48.0	56.1
60"		33.4	-	43.2	50.5
66"		30.3	-	39.3	45.9
72"	27.8	-	36.0	42.1	

DESIGN LOAD CAPACITY - PSF					
WINDOW DIMS.		ANCHORS TYPE			
WIDTH (W)	MULL SPAN	W2	B2	C2	M2
19-1/8"	78"	99.6	57.9	129.0	130.0
26-1/2"		71.9	41.8	93.1	108.8
30"		63.5	36.9	82.2	96.1
37"		51.5	29.9	66.7	77.9
42"		45.4	26.4	58.7	68.7
48"		39.7	23.1	51.4	60.1
54"		35.3	20.5	45.7	53.4
60"		31.8	-	41.1	48.1
66"		28.9	-	37.4	43.7
72"	26.5	-	34.3	40.1	
19-1/8"	84"	92.5	53.8	119.8	130.0
26-1/2"		66.8	38.8	86.4	101.0
30"		59.0	34.3	76.3	89.3
37"		47.8	27.8	61.9	72.4
42"		42.1	24.5	54.5	63.8
48"		36.9	21.4	47.7	55.8
54"		32.8	-	42.4	49.6
60"		29.5	-	38.2	44.6
66"		26.8	-	34.7	40.6
72"	24.6	-	31.8	37.2	
19-1/8"	96"	80.9	47.1	104.8	122.5
26-1/2"		58.4	34.0	75.6	88.4
30"		51.6	30.0	66.8	78.1
37"		41.8	24.3	54.2	63.3
42"		36.9	21.4	47.7	55.8
48"		32.3	-	41.8	48.8
54"		28.7	-	37.1	43.4
60"		25.8	-	33.4	39.1
66"		23.5	-	30.4	35.5
72"	21.5	-	27.8	32.5	
19-1/8"	108"	71.9	41.8	93.1	108.9
26-1/2"		51.9	30.2	67.2	78.6
30"		45.9	26.7	59.4	69.4
37"		37.2	21.6	48.1	56.3
42"		32.8	-	42.4	49.6
48"		28.7	-	37.1	43.4
54"		25.5	-	33.0	38.6
60"		22.9	-	29.7	34.7
66"		20.8	-	27.0	31.6
72"	-	-	24.7	28.9	

DESIGN LOAD CAPACITY - PSF					
WINDOW DIMS.		ANCHORS TYPE			
WIDTH (W)	MULL SPAN	W2	B2	C2	M2
19-1/8"	120"	64.8	37.6	83.8	98.0
26-1/2"		46.7	27.2	60.5	70.7
30"		41.3	24.0	53.4	62.5
37"		33.5	-	43.3	50.7
42"		29.5	-	38.2	44.6
48"		25.8	-	33.4	39.1
54"		22.9	-	29.7	34.7
60"		20.6	-	26.7	31.2
66"		-	-	24.3	28.4
72"	-	-	22.3	26.0	
19-1/8"	132"	58.9	34.2	76.2	89.1
26-1/2"		42.5	24.7	55.0	64.3
30"		37.5	21.8	48.6	56.8
37"		30.4	-	39.4	46.1
42"		26.8	-	34.7	40.6
48"		23.5	-	30.4	35.5
54"		20.8	-	27.0	31.6
60"		-	-	24.3	28.4
66"		-	-	22.1	25.8
72"	-	-	20.2	23.7	
19-1/8"	144"	54.0	31.4	69.9	81.7
26-1/2"		38.9	22.6	50.4	58.9
30"		34.4	20.0	44.5	52.1
37"		27.9	-	36.1	42.2
42"		24.6	-	31.8	37.2
48"		21.5	-	27.8	32.5
54"		-	-	24.7	28.9
60"		-	-	22.3	26.0
66"		-	-	20.2	23.7

TYPICAL ANCHORS:

1/4" DIA. ULTRACON+ BY 'DEWALT' (Fu=164 KSI, Fy=148 KSI)

W2: INTO 2BY WOOD BUCKS OR WOOD STRUCTURES
1-1/2" MIN. PENETRATION INTO WOOD

W2: THRU 1BY BUCKS INTO CONC. OR MASONRY
1-1/4" MIN. EMBED INTO CONC. OR MASONRY

B2: DIRECTLY INTO HOLLOW/FILLED BLOCK
1-1/4" MIN. EMBED INTO BLOCK

C2: DIRECTLY INTO CONCRETE
1-1/2" MIN. EMBED INTO CONCRETE

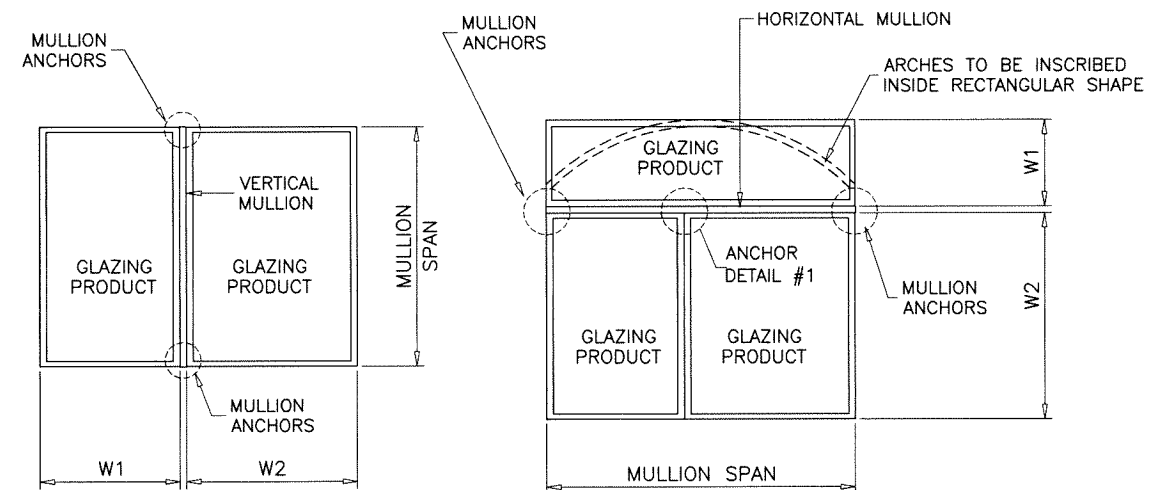
1/4" DIA. TEKS OR SELF DRILLING SCREWS (GRADE 5 CRS)

M2: INTO METAL STRUCTURES
STEEL : 1/8" THK. MIN. (Fy = 36 KSI MIN.)
ALUMINUM : 1/8" THK. MIN. (6063-T5 MIN.)
(STEEL IN CONTACT WITH ALUMINUM TO BE PLATED OR PAINTED)

TYPICAL EDGE DISTANCE

INTO CONCRETE AND MASONRY = 2-1/2" MIN.
INTO WOOD STRUCTURE = 1" MIN.
INTO METAL STRUCTURE = 3/4" MIN.

WOOD AT HEAD, SILL OR JAMBS SG = 0.55 MIN.
CONCRETE AT HEAD, SILL OR JAMBS f'c = 3000 PSI MIN.
C-90 HOLLOW/FILLED NORMAL WEIGHT BLOCK AT JAMBS f'm = 2000 PSI MIN.



TYPICAL MULLION ARRANGEMENTS

$$WIDTH (W) = \frac{W1 + W2}{2}$$

THESE MULLIONS CAN ONLY BE USED WITH 'MARVIN' GLAZING PRODUCTS

Sealed: 7/26/2023

FL #34545



ALL LOADS ARE EXT.(+)/INT.(-).

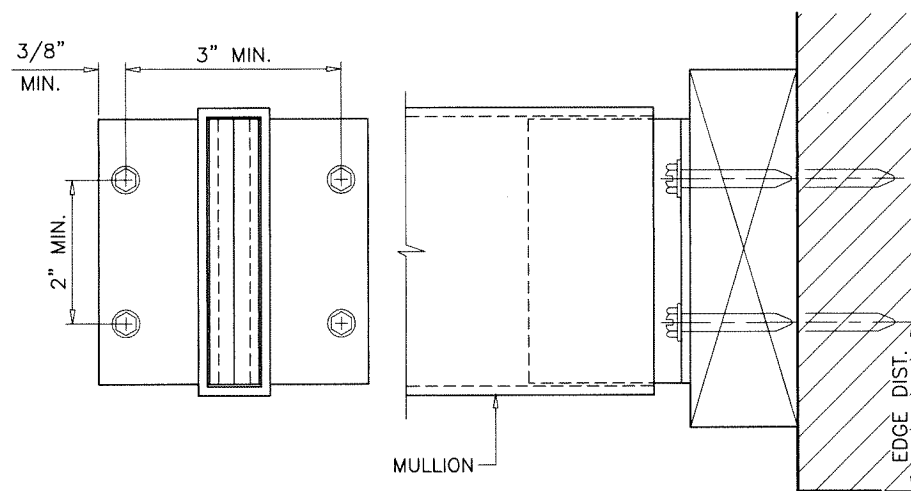
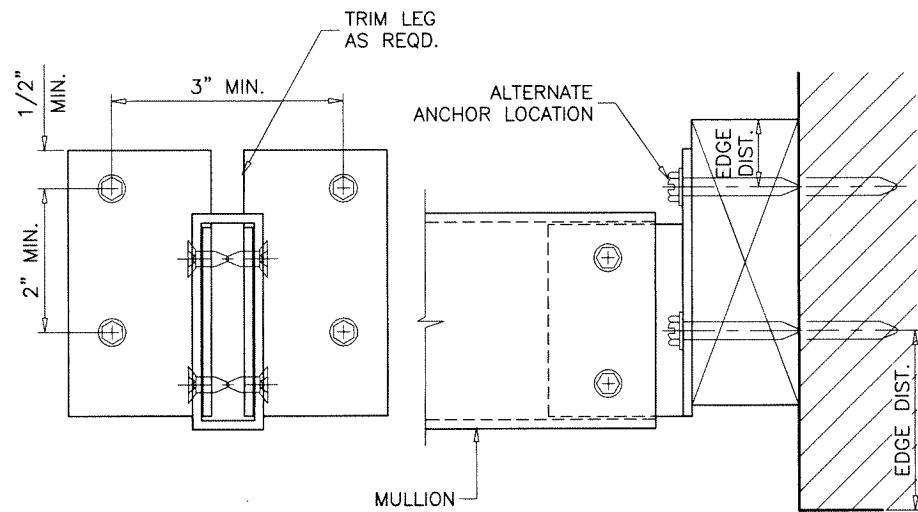
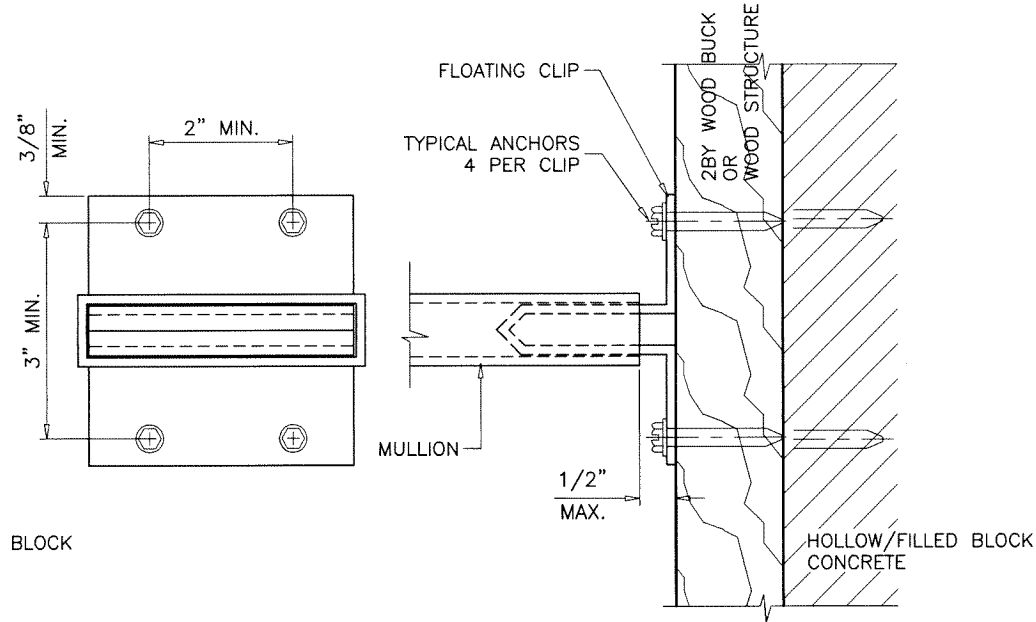
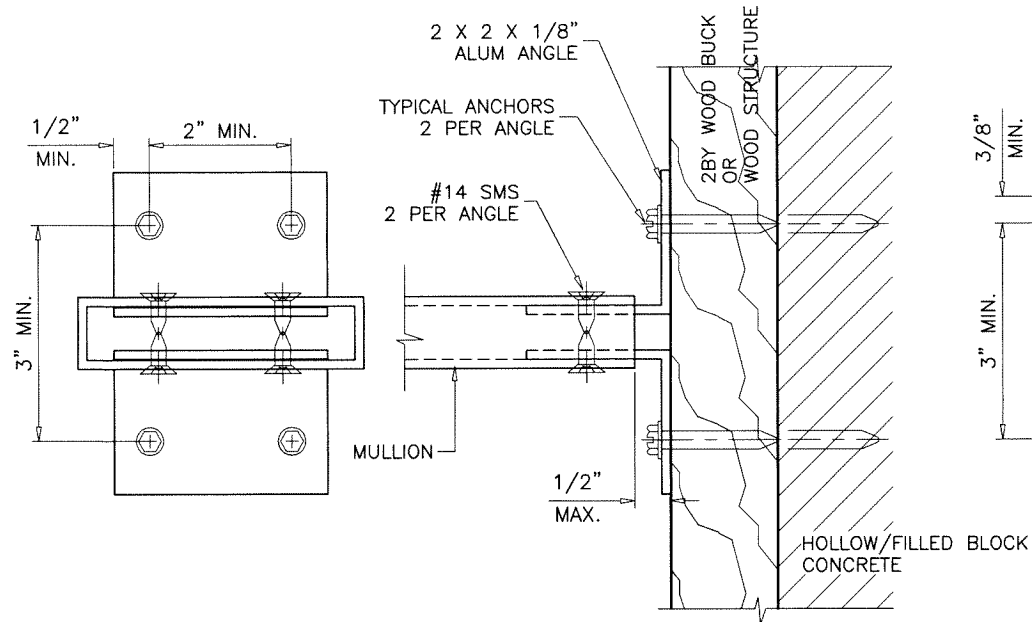
NOTE:
ANY ANCHOR CONDITION SHOWN HEREIN MAY COVER LOCATIONS
AT HEAD, SILL OR JAMB ENDS.
SEE SHEETS 4 & 5 FOR ANCHOR DETAILS.

(INTERPOLATION BETWEEN WIDTHS OR SPANS ALLOWED)

af c
AL-FAROOQ CORPORATION
ENGINEERS & PRODUCT DEVELOPMENT
9360 SUNSET DRIVE, SUITE 220
MIAMI, FLORIDA 33173 (C.A.N. 3538)
TEL. (305) 264-8100 FAX. (305) 262-6978
MULLION\M15-06SIW

Clipped, Extruded Aluminum Tube Mullion
MARVIN
PO Box 100, 401 State Ave. N.
Warroad, MN. 56763
Tel. (218) 386-1430 Ext. 2143

revisions:	no	date	by	description
date:	07-30-15	scale:	3/8" = 1"	
dr. by:	TARIQ	chk. by:		
drawing no.	M15-06			
sheet	6 of 18			



TYPICAL ANCHORS TYPE 'W4-2'

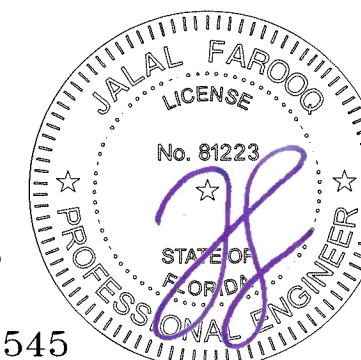
INTO 2BY WOOD BUCKS OR WOOD STRUCTURES
THRU 1BY BUCKS INTO CONC. OR MASONRY

SEE SHEET 10 FOR ANCHOR CAPACITIES

THESE MULLIONS CAN ONLY BE USED WITH
'MARVIN' GLAZING PRODUCTS

Sealed: 7/26/2023

FL #34545



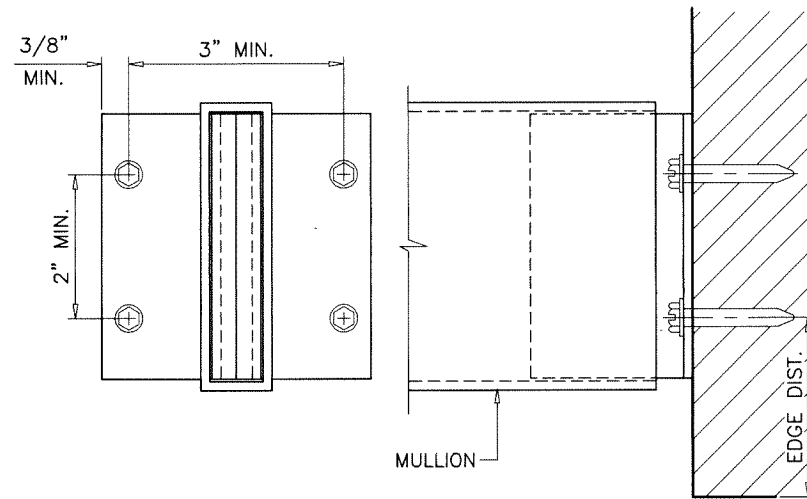
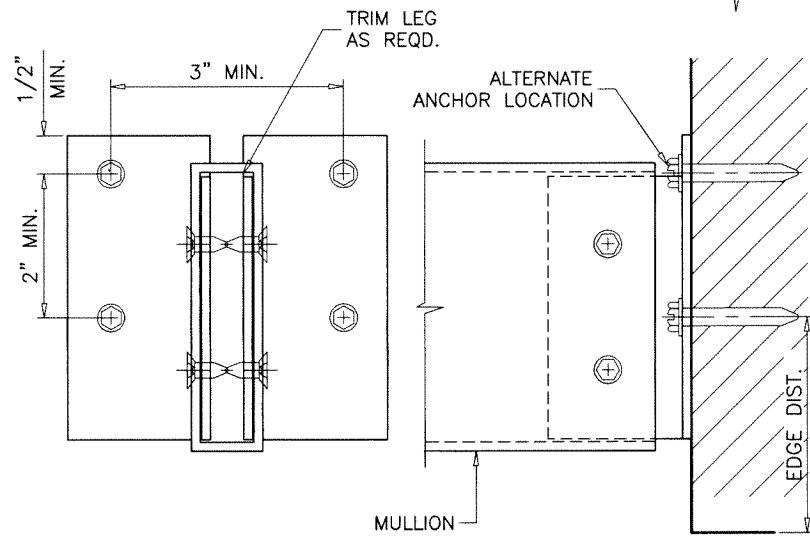
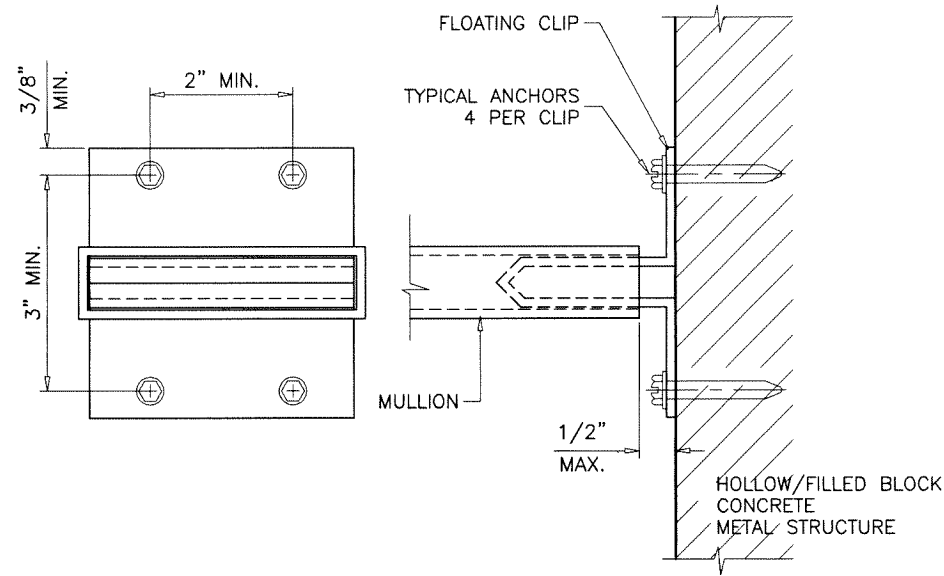
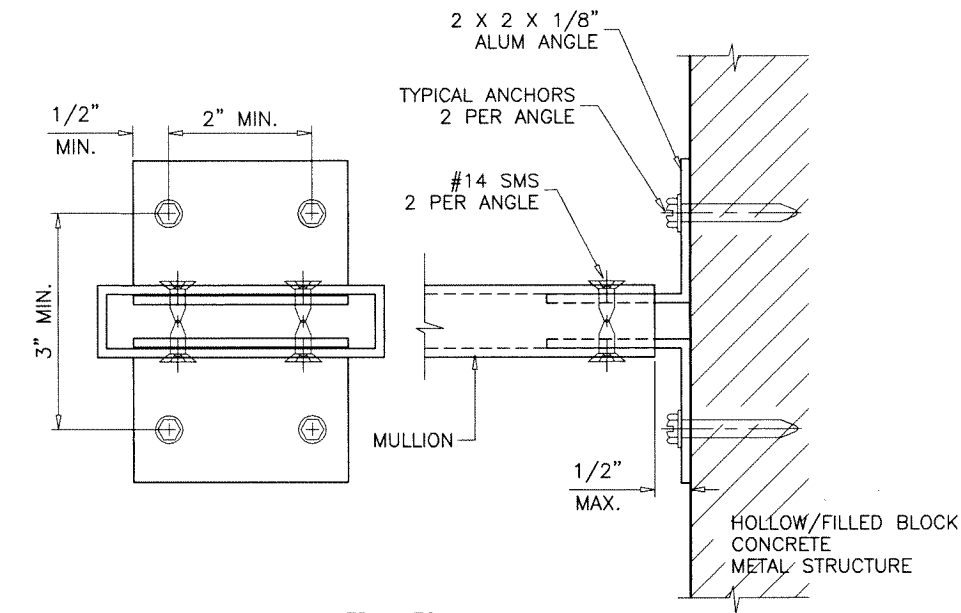
af c
AL-FAROOQ CORPORATION
 ENGINEERS & PRODUCT DEVELOPMENT
 9360 SUNSET DRIVE, SUITE 220 (C.A.N. 3538)
 MIAMI, FLORIDA 33173 TEL. (305) 262-6978 FAX. (305) 264-8100
 MULLION\M15-06SIW

Clipped, Extruded Aluminum Tube Mullion
MARVIN
 PO Box 100, 401 State Ave. N.
 Warroad, MN. 56763
 Tel. (218) 386-1430 Ext. 2143

no	date	description

date: 07-30-15
 scale: 3/8" = 1"
 dr. by: TARIQ
 chk. by:

drawing no.
M15-06
 sheet 7 of 18



TYPICAL ANCHORS TYPE 'B4-2', 'C4-2', 'M4-2'

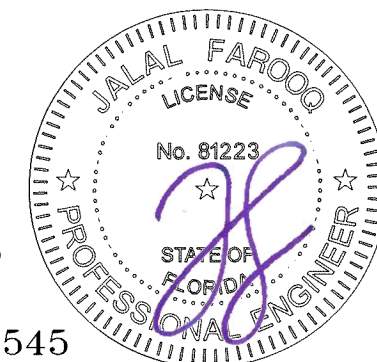
DIRECTLY INTO HOLLOW/FILLED BLOCK
 DIRECTLY INTO CONCRETE
 INTO METAL STRUCTURES

SEE SHEET 10 FOR ANCHOR CAPACITIES

THESE MULLIONS CAN ONLY BE USED WITH
 'MARVIN' GLAZING PRODUCTS

Sealed: 7/26/2023

FL #34545



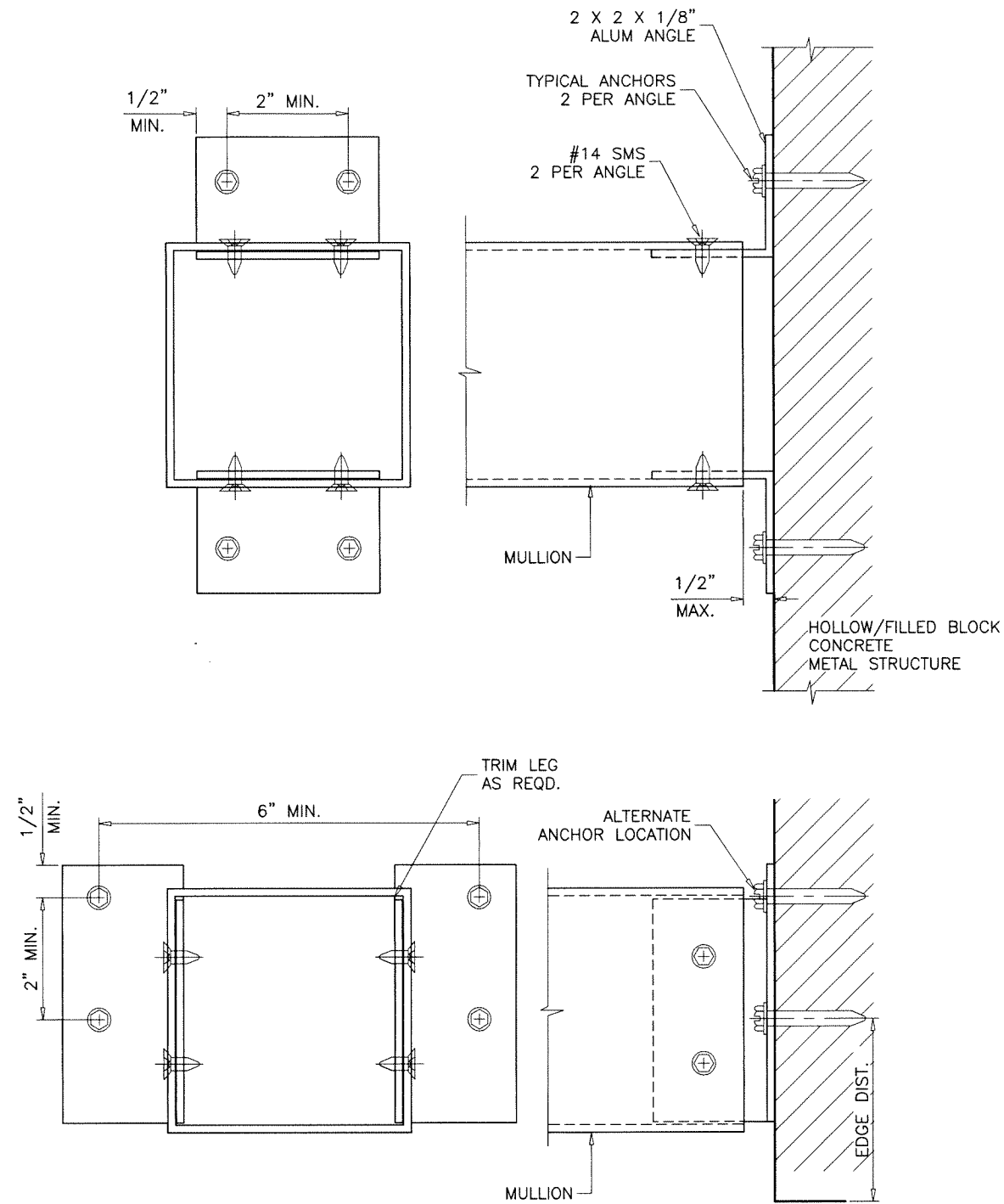
af c
AL-FAROOQ CORPORATION
 ENGINEERS & PRODUCT DEVELOPMENT
 9360 SUNSET DRIVE, SUITE 220 (C.A.N. 3538)
 MIAMI, FLORIDA 33173
 TEL. (305) 264-8100 FAX. (305) 262-6978
 MULLION M15-06SIW

Clipped, Extruded Aluminum Tube Mullion
MARVIN
 PO Box 100, 401 State Ave. N.
 Warroad, MN. 56763
 Tel. (218) 386-1430 Ext. 2143

no	date	by	description

date: 07-30-15	scale: 3/8" = 1"
dr. by: TARIQ	chk. by:

drawing no.
M15-06
 sheet 8 of 18



TYPICAL ANCHORS TYPE 'B4-2', 'C4-2', 'M4-2'

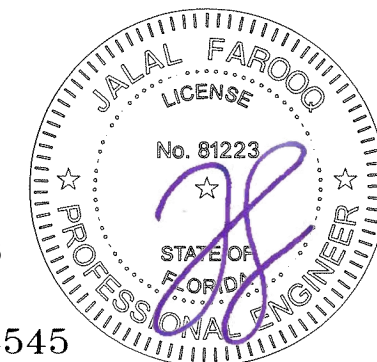
DIRECTLY INTO HOLLOW/FILLED BLOCK
 DIRECTLY INTO CONCRETE
 INTO METAL STRUCTURES

SEE SHEET 10 FOR ANCHOR CAPACITIES

THESE MULLIONS CAN ONLY BE USED WITH
 "MARVIN" GLAZING PRODUCTS

Sealed: 7/26/2023

FL #34545



AL-FAROOQ CORPORATION
 ENGINEERS & PRODUCT DEVELOPMENT
 9360 SUNSET DRIVE, SUITE 220
 MIAMI, FLORIDA 33173 (C.A.N. 3538)
 TEL. (305) 264-8100 FAX. (305) 262-6978

Clipped, Extruded Aluminum Tube Mullion



PO Box 100, 401 State Ave. N.
 Warroad, MN. 56763
 Tel. (218) 386-1430 Ext. 2143

no	date	by	description

date: 07-30-15
 scale: 3/8" = 1"
 dr. by: TARIQ
 chk. by:

drawing no.
M15-06

sheet 9 of 18

MULLION M15-06SIW

DESIGN LOAD CAPACITY - PSF				
WINDOW DIMS.		ANCHORS TYPE		
WIDTH (W)	MULL SPAN	W4-2	B4-2	M4-2
19-1/8"	38-3/8"	130.0	130.0	130.0
26-1/2"		130.0	130.0	130.0
30"		130.0	117.1	130.0
37"		130.0	94.9	130.0
42"		130.0	83.6	130.0
48"		130.0	73.2	130.0
54"		130.0	65.0	124.0
60"		129.1	58.5	111.6
66"		117.3	53.2	101.4
72"	107.6	48.8	93.0	
19-1/8"	50-5/8"	130.0	130.0	130.0
26-1/2"		130.0	100.5	130.0
30"		130.0	88.7	130.0
37"		130.0	72.0	130.0
42"		130.0	63.4	120.8
48"		122.3	55.5	105.7
54"		108.7	49.3	94.0
60"		97.8	44.4	84.6
66"		89.0	40.3	76.9
72"	81.5	37.0	70.5	
19-1/8"	63"	130.0	111.9	130.0
26-1/2"		130.0	80.7	130.0
30"		130.0	71.3	130.0
37"		127.5	57.8	110.2
42"		112.3	50.9	97.1
48"		98.3	44.6	85.0
54"		87.4	39.6	75.5
60"		78.6	35.7	68.0
66"		71.5	32.4	61.8
72"	65.5	29.7	56.6	
19-1/8"	74-1/4"	130.0	94.9	130.0
26-1/2"		130.0	68.5	130.0
30"		130.0	60.5	115.3
37"		108.2	49.1	93.5
42"		95.3	43.2	82.4
48"		83.4	37.8	72.1
54"		74.1	33.6	64.1
60"		66.7	30.3	57.7
66"		60.7	27.5	52.4
72"	55.6	25.2	48.1	

DESIGN LOAD CAPACITY - PSF				
WINDOW DIMS.		ANCHORS TYPE		
WIDTH (W)	MULL SPAN	W4-2	B4-2	M4-2
19-1/8"	78"	130.0	90.4	130.0
26-1/2"		130.0	65.2	124.3
30"		127.0	57.6	109.8
37"		103.0	46.7	89.0
42"		90.7	41.1	78.4
48"		79.4	36.0	68.6
54"		70.6	32.0	61.0
60"		63.5	28.8	54.9
66"		57.7	26.2	49.9
72"	52.9	24.0	45.7	
19-1/8"	84"	130.0	83.9	130.0
26-1/2"		130.0	60.5	115.4
30"		117.9	53.5	101.9
37"		95.6	43.4	82.7
42"		84.2	38.2	72.8
48"		73.7	33.4	63.7
54"		65.5	29.7	56.6
60"		59.0	26.7	51.0
66"		53.6	24.3	46.3
72"	49.1	22.3	42.5	
19-1/8"	96"	130.0	73.4	130.0
26-1/2"		116.8	53.0	101.0
30"		103.2	46.8	89.2
37"		83.7	37.9	72.3
42"		73.7	33.4	63.7
48"		64.5	29.3	55.8
54"		57.3	26.0	49.6
60"		51.6	23.4	44.6
66"		46.9	21.3	40.5
72"	43.0	-	37.2	
19-1/8"	108"	130.0	65.3	124.4
26-1/2"		103.8	47.1	89.8
30"		91.7	41.6	79.3
37"		74.4	33.7	64.3
42"		65.5	29.7	56.6
48"		57.3	26.0	49.6
54"		51.0	23.1	44.0
60"		45.9	20.8	39.6
66"		41.7	-	36.0
72"	38.2	-	33.0	

DESIGN LOAD CAPACITY - PSF				
WINDOW DIMS.		ANCHORS TYPE		
WIDTH (W)	MULL SPAN	W4-2	B4-2	M4-2
19-1/8"	120"	129.5	58.7	111.9
26-1/2"		93.5	42.4	80.8
30"		82.6	37.4	71.4
37"		66.9	30.4	57.9
42"		59.0	26.7	51.0
48"		51.6	23.4	44.6
54"		45.9	20.8	39.6
60"		41.3	-	35.7
66"		37.5	-	32.4
72"	34.4	-	29.7	
19-1/8"	132"	117.7	53.4	101.8
26-1/2"		85.0	38.5	73.4
30"		75.1	34.0	64.9
37"		60.9	27.6	52.6
42"		53.6	24.3	46.3
48"		46.9	21.3	40.5
54"		41.7	-	36.0
60"		37.5	-	32.4
66"		34.1	-	29.5
72"	31.3	-	27.0	
19-1/8"	144"	107.9	48.9	93.3
26-1/2"		77.9	35.3	67.3
30"		68.8	31.2	59.5
37"		55.8	25.3	48.2
42"		49.1	22.3	42.5
48"		43.0	-	37.2
54"		38.2	-	33.0
60"		34.4	-	29.7
66"		31.3	-	27.0

TYPICAL ANCHORS:

1/4" DIA. ULTRACON+ BY 'DEWALT' (Fu=164 KSI, Fy=148 KSI)

W4-2: INTO 2BY WOOD BUCKS OR WOOD STRUCTURES
1-1/2" MIN. PENETRATION INTO WOOD

W4-2: THRU 1BY BUCKS INTO CONC. OR MASONRY
1-1/4" MIN. EMBED INTO CONC. OR MASONRY

B4-2: DIRECTLY INTO HOLLOW/FILLED BLOCK
1-1/4" MIN. EMBED INTO BLOCK

C4-2: DIRECTLY INTO CONCRETE
1-1/2" MIN. EMBED INTO CONCRETE

1/4" DIA. TEKS OR SELF DRILLING SCREWS (GRADE 5 CRS)

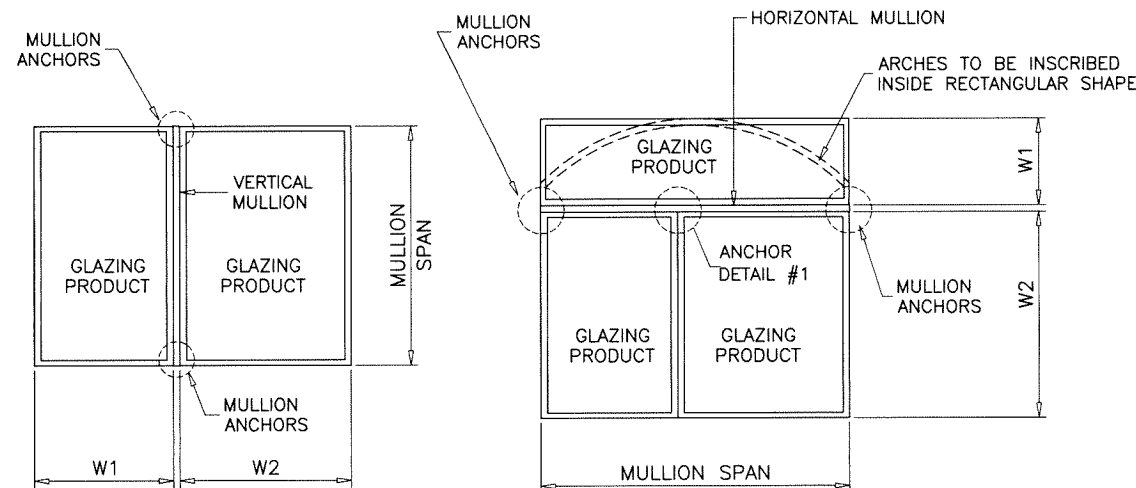
M4-2: INTO METAL STRUCTURES
STEEL : 1/8" THK. MIN. (Fy = 36 KSI MIN.)
ALUMINUM : 1/8" THK. MIN. (6063-T5 MIN.)
(STEEL IN CONTACT WITH ALUMINUM TO BE PLATED OR PAINTED)

TYPICAL EDGE DISTANCE

INTO CONCRETE AND MASONRY = 2-1/2" MIN.
INTO WOOD STRUCTURE = 1" MIN.
INTO METAL STRUCTURE = 3/4" MIN.

ANCHORS CL TO CL DISTANCE = 2" MIN.

WOOD AT HEAD, SILL OR JAMBS SG = 0.55 MIN.
CONCRETE AT HEAD, SILL OR JAMBS f'c = 3000 PSI MIN.
C-90 HOLLOW/FILLED NORMAL WEIGHT BLOCK AT JAMBS f'm = 2000 PSI MIN.



TYPICAL MULLION ARRANGEMENTS

$$WIDTH (W) = \frac{W1 + W2}{2}$$

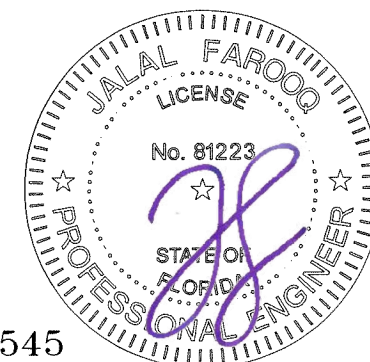
THESE MULLIONS CAN ONLY BE USED WITH 'MARVIN' GLAZING PRODUCTS

ALL LOADS ARE EXT.(+)/INT.(-).

NOTE:
ANY ANCHOR CONDITION SHOWN HEREIN MAY COVER LOCATIONS AT HEAD, SILL OR JAMB ENDS.
SEE SHEETS 7 THRU 9 FOR ANCHOR DETAILS.

(INTERPOLATION BETWEEN WIDTHS OR SPANS ALLOWED)

Sealed: 7/26/2023



FL #34545

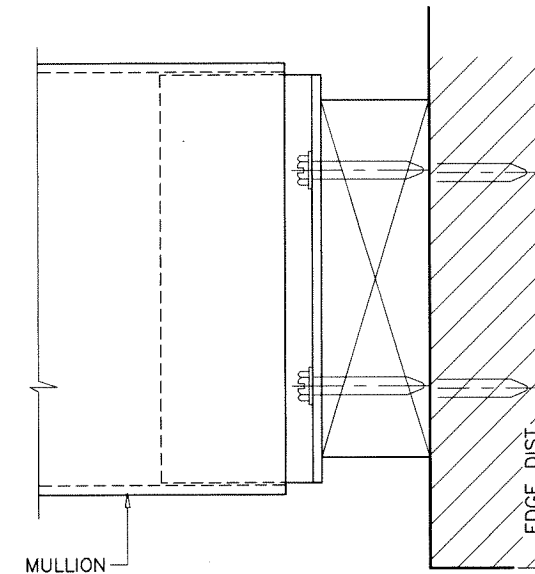
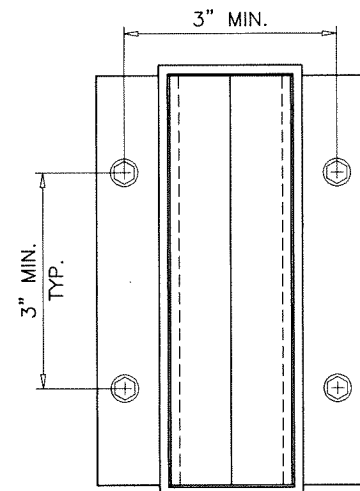
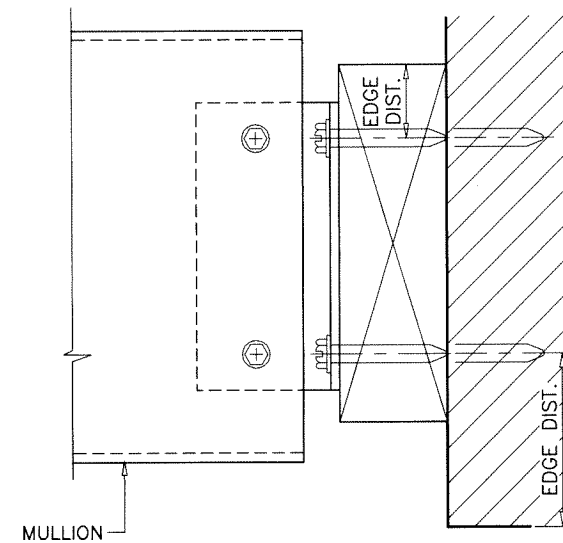
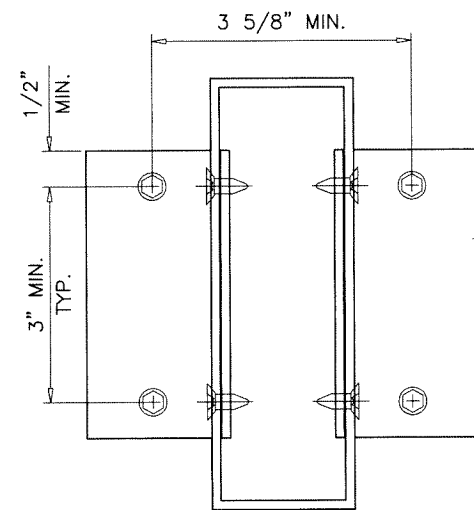
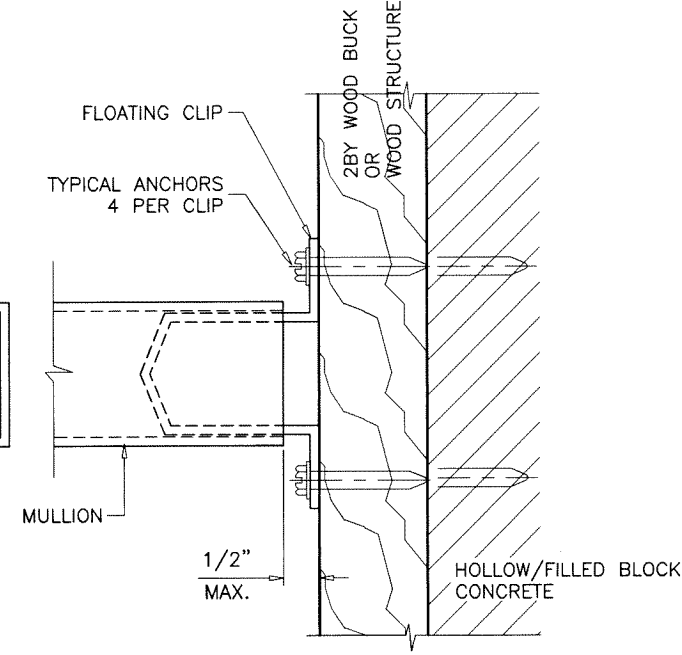
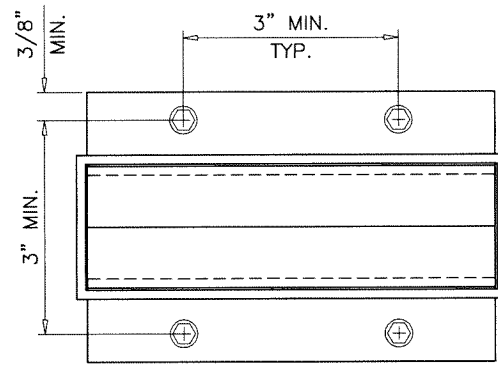
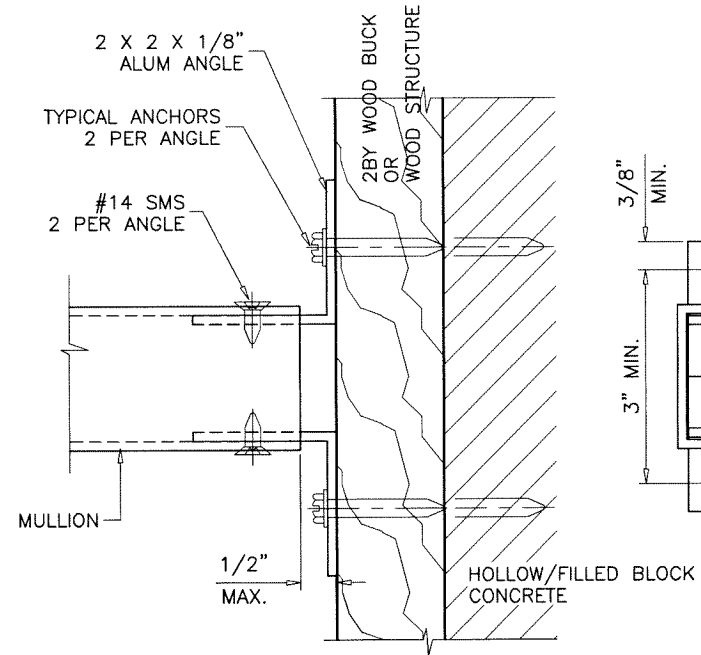
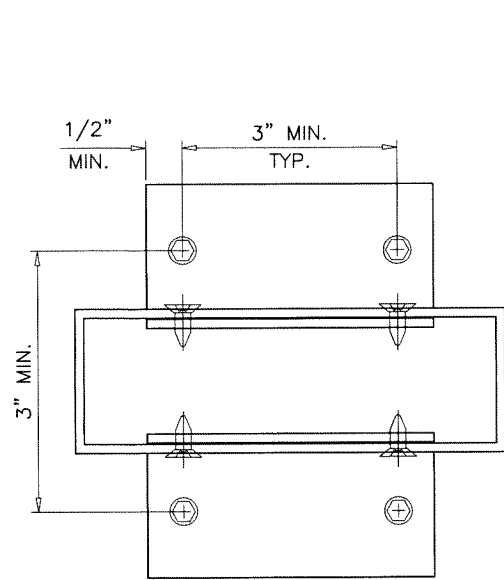
af c
AL-FAROOQ CORPORATION
ENGINEERS & PRODUCT DEVELOPMENT
9360 SUNSET DRIVE, SUITE 220
MIAMI, FLORIDA 33173
TEL. (305) 262-6978 FAX. (305) 262-6978
MULLION\M15-06SIW

Clipped, Extruded Aluminum Tube Mullion
MARVIN
PO Box 100, 401 State Ave. N.
Warroad, MN. 56763
Tel. (218) 386-1430 Ext. 2143

no	date	by	description

date: 07-30-15	scale: 3/8" = 1"	dr. by: TARIQ	chk. by:
----------------	------------------	---------------	----------

drawing no.
M15-06
sheet 10 of 18



TYPICAL ANCHORS TYPE 'W4-3'

INTO 2BY WOOD BUCKS OR WOOD STRUCTURES
THRU 1BY BUCKS INTO CONC. OR MASONRY

SEE SHEET 14 FOR ANCHOR CAPACITIES

THESE MULLIONS CAN ONLY BE USED WITH
'MARVIN' GLAZING PRODUCTS

Sealed: 7/26/2023

FL #34545



af c
AL-FAROOQ CORPORATION
 ENGINEERS & PRODUCT DEVELOPMENT
 9360 SUNSET DRIVE, SUITE 220
 MIAMI, FLORIDA 33173 (C.A.N. 3538)
 TEL. (305) 264-8100 FAX. (305) 262-6978
 MULLION M15-06SIW

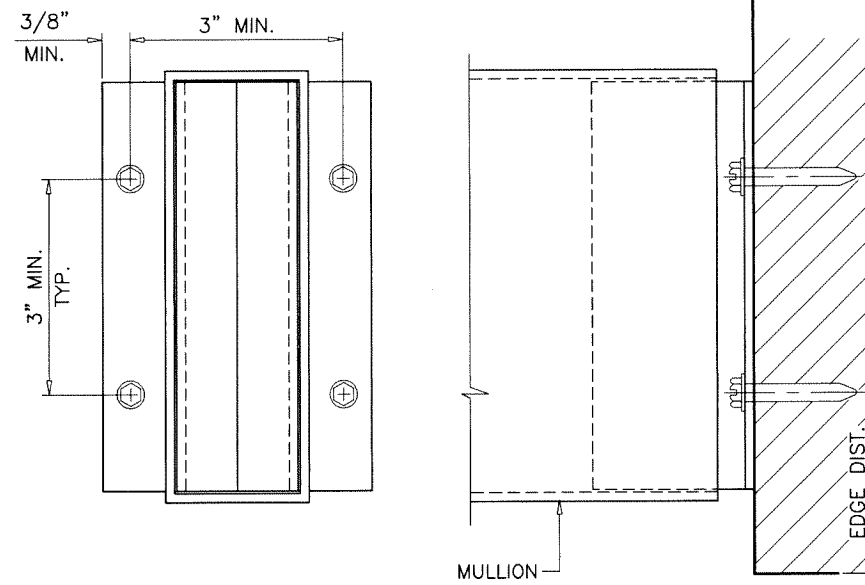
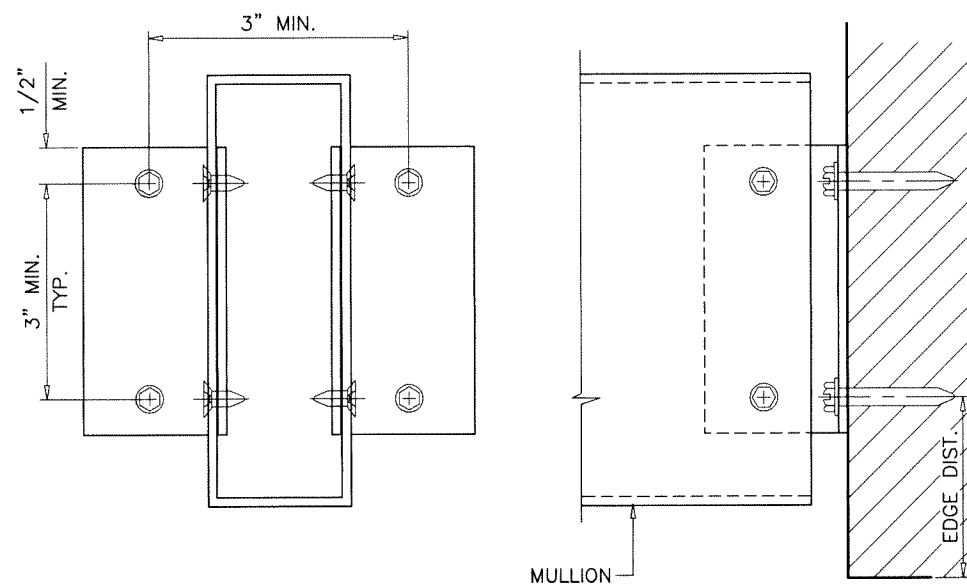
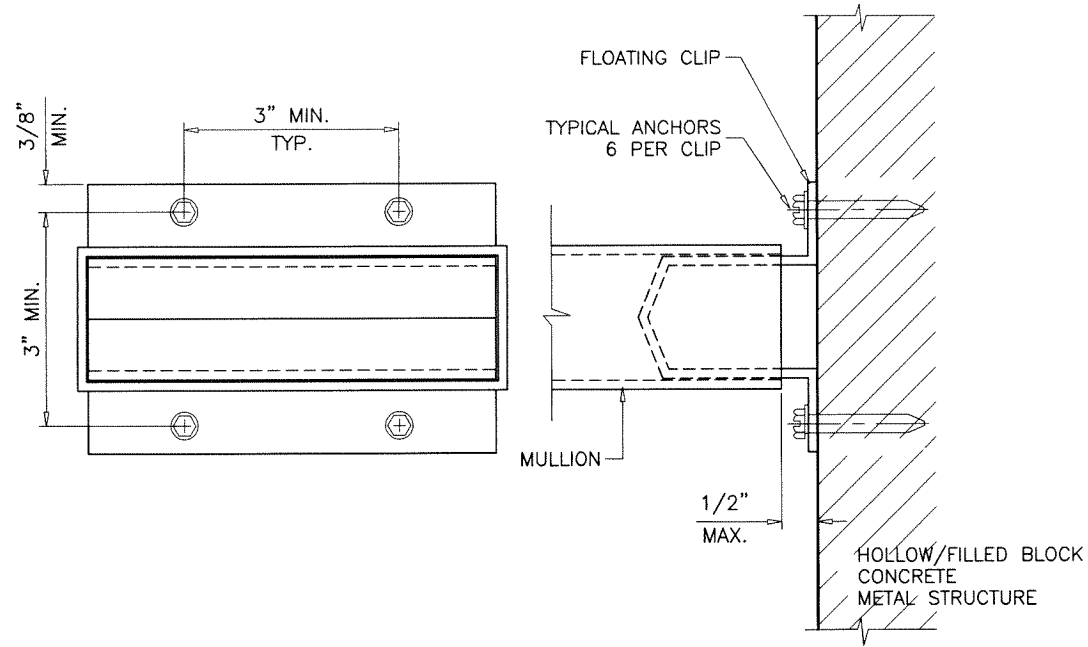
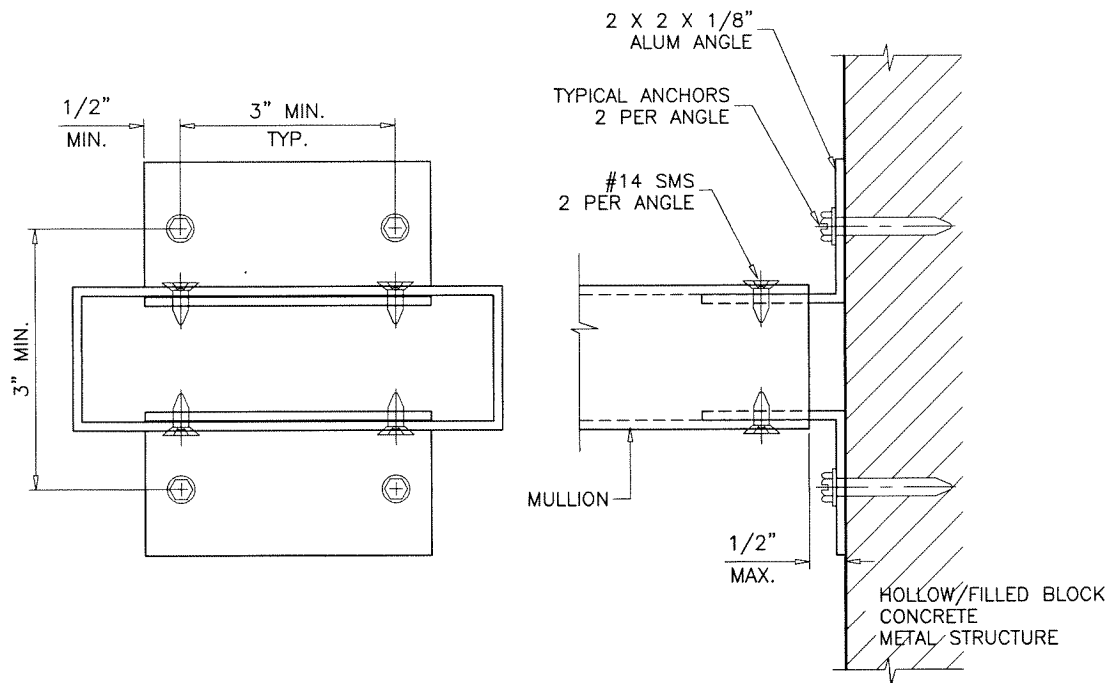
Clipped, Extruded Aluminum Tube Mullion
MARVIN
 PO Box 100, 401 State Ave. N.
 Warroad, MN. 56763
 Tel. (218) 386-1430 Ext. 2143

revisions:	
no	date by description

date: 07-30-15
 scale: 3/8" = 1"
 dr. by: TARIQ
 chk. by:

drawing no.
M15-06

sheet 11 of 18



TYPICAL ANCHORS TYPE 'B4-3', 'C4-3'

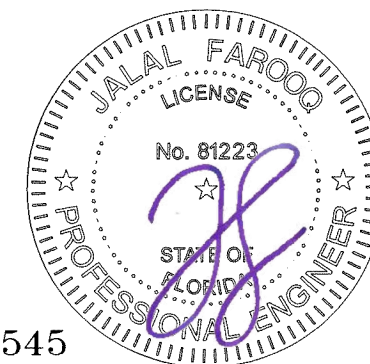
DIRECTLY INTO HOLLOW/FILLED BLOCK
DIRECTLY INTO CONCRETE

SEE SHEET 14 FOR ANCHOR CAPACITIES

THESE MULLIONS CAN ONLY BE USED WITH
'MARVIN' GLAZING PRODUCTS

Sealed: 7/26/2023

FL #34545



af c
AL-FAROOQ CORPORATION
ENGINEERS & PRODUCT DEVELOPMENT
9360 SUNSET DRIVE, SUITE 220
MIAMI, FLORIDA 33173 (C.A.N. 3538)
TEL. (305) 264-8100 FAX. (305) 262-6978

Clipped, Extruded Aluminum Tube Mullion
MARVIN
PO Box 100, 401 State Ave. N.
Warroad, MN. 56763
Tel. (218) 386-1430 Ext. 2143

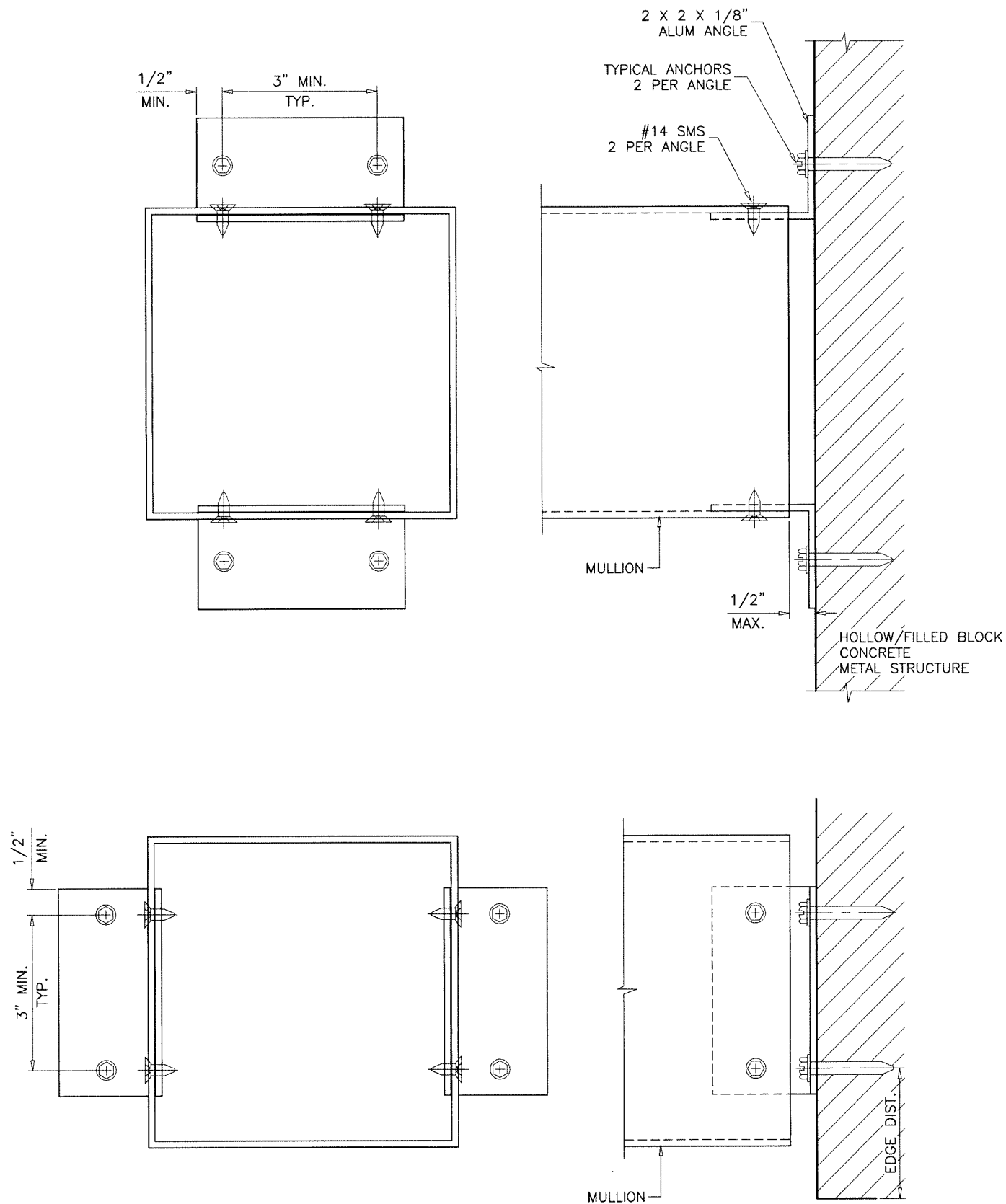
no	date	by	description

date: 07-30-15
scale: 3/8" = 1"
dr. by: TARIQ
chk. by:

drawing no.
M15-06

sheet 12 of 18

MULLION M15-06SIW



TYPICAL ANCHORS TYPE 'B4-3', 'C4-3'
 DIRECTLY INTO HOLLOW/FILLED BLOCK
 DIRECTLY INTO CONCRETE
 SEE SHEET 14 FOR ANCHOR CAPACITIES

THESE MULLIONS CAN ONLY BE USED WITH
 'MARVIN' GLAZING PRODUCTS

Sealed: 7/26/2023

FL #34545



af c
AL-FAROOQ CORPORATION
 ENGINEERS & PRODUCT DEVELOPMENT
 9360 SUNSET DRIVE, SUITE 220
 MIAMI, FLORIDA 33173 (C.A.N. 3538)
 TEL. (305) 264-8100 FAX. (305) 262-6978
 MULLION\M15-06SIW

Clipped, Extruded Aluminum Tube Mullion
MARVIN
 PO Box 100, 401 State Ave. N.
 Warroad, MN. 56763
 Tel. (218) 386-1430 Ext. 2143

revisions:	
no	date by description

date: 07-30-15
 scale: 3/8" = 1"
 dr. by: TARIQ
 chk. by:

drawing no.
M15-06
 sheet 13 of 18

DESIGN LOAD CAPACITY - PSF				
WINDOW DIMS.		ANCHORS TYPE		
WIDTH (W)	MULL SPAN	W4-3	B4-3	C4-3
19-1/8"	38-3/8"	130.0	130.0	130.0
26-1/2"		130.0	130.0	130.0
30"		130.0	130.0	130.0
37"		130.0	121.7	130.0
42"		130.0	107.2	130.0
48"		130.0	93.8	130.0
54"		130.0	83.4	130.0
60"		129.1	75.0	130.0
66"		117.3	68.2	130.0
72"	107.6	62.5	130.0	
19-1/8"	50-5/8"	130.0	130.0	130.0
26-1/2"		130.0	128.8	130.0
30"		130.0	113.8	130.0
37"		130.0	92.3	130.0
42"		130.0	81.3	130.0
48"		122.3	71.1	130.0
54"		108.7	63.2	130.0
60"		97.8	56.9	126.7
66"		89.0	51.7	115.2
72"	81.5	47.4	105.6	
19-1/8"	63"	130.0	130.0	130.0
26-1/2"		130.0	103.5	130.0
30"		130.0	91.4	130.0
37"		127.5	74.1	130.0
42"		112.3	65.3	130.0
48"		98.3	57.1	127.2
54"		87.4	50.8	113.1
60"		78.6	45.7	101.8
66"		71.5	41.6	92.5
72"	65.5	38.1	84.8	
19-1/8"	74-1/4"	130.0	121.7	130.0
26-1/2"		130.0	87.8	130.0
30"		130.0	77.6	130.0
37"		108.2	62.9	130.0
42"		95.3	55.4	123.4
48"		83.4	48.5	108.0
54"		74.1	43.1	96.0
60"		66.7	38.8	86.4
66"		60.7	35.3	78.5
72"	55.6	32.3	72.0	

DESIGN LOAD CAPACITY - PSF				
WINDOW DIMS.		ANCHORS TYPE		
WIDTH (W)	MULL SPAN	W4-3	B4-3	C4-3
19-1/8"	78"	130.0	115.8	130.0
26-1/2"		130.0	83.6	130.0
30"		127.0	73.8	130.0
37"		103.0	59.9	130.0
42"		90.7	52.7	117.5
48"		79.4	46.2	102.8
54"		70.6	41.0	91.4
60"		63.5	36.9	82.2
66"		57.7	33.6	74.7
72"	52.9	30.8	68.5	
19-1/8"	84"	130.0	107.6	130.0
26-1/2"		130.0	77.6	130.0
30"		117.9	68.6	130.0
37"		95.6	55.6	123.8
42"		84.2	49.0	109.1
48"		73.7	42.9	95.4
54"		65.5	38.1	84.8
60"		59.0	34.3	76.3
66"		53.6	31.2	69.4
72"	49.1	28.6	63.6	
19-1/8"	96"	130.0	94.1	130.0
26-1/2"		116.8	67.9	130.0
30"		103.2	60.0	130.0
37"		83.7	48.6	108.3
42"		73.7	42.9	95.4
48"		64.5	37.5	83.5
54"		57.3	33.3	74.2
60"		51.6	30.0	66.8
66"		46.9	27.3	60.7
72"	43.0	25.0	55.7	
19-1/8"	108"	130.0	83.7	130.0
26-1/2"		103.8	60.4	130.0
30"		91.7	53.3	118.8
37"		74.4	43.2	96.3
42"		65.5	38.1	84.8
48"		57.3	33.3	74.2
54"		51.0	29.6	66.0
60"		45.9	26.7	59.4
66"		41.7	24.2	54.0
72"	38.2	22.2	49.5	

DESIGN LOAD CAPACITY - PSF				
WINDOW DIMS.		ANCHORS TYPE		
WIDTH (W)	MULL SPAN	W4-3	B4-3	C4-3
19-1/8"	120"	129.5	75.3	130.0
26-1/2"		93.5	54.3	121.0
30"		82.6	48.0	106.9
37"		66.9	38.9	86.7
42"		59.0	34.3	76.3
48"		51.6	30.0	66.8
54"		45.9	26.7	59.4
60"		41.3	24.0	53.4
66"		37.5	21.8	48.6
72"	34.4	20.0	44.5	
19-1/8"	132"	117.7	68.4	130.0
26-1/2"		85.0	49.4	110.0
30"		75.1	43.6	97.2
37"		60.9	35.4	78.8
42"		53.6	31.2	69.4
48"		46.9	27.3	60.7
54"		41.7	24.2	54.0
60"		37.5	21.8	48.6
66"		34.1	-	44.2
72"	31.3	-	40.5	
19-1/8"	144"	107.9	62.7	130.0
26-1/2"		77.9	45.3	100.8
30"		68.8	40.0	89.1
37"		55.8	32.4	72.2
42"		49.1	28.6	63.6
48"		43.0	25.0	55.7
54"		38.2	22.2	49.5
60"		34.4	20.0	44.5
66"		31.3	-	40.5

TYPICAL ANCHORS:

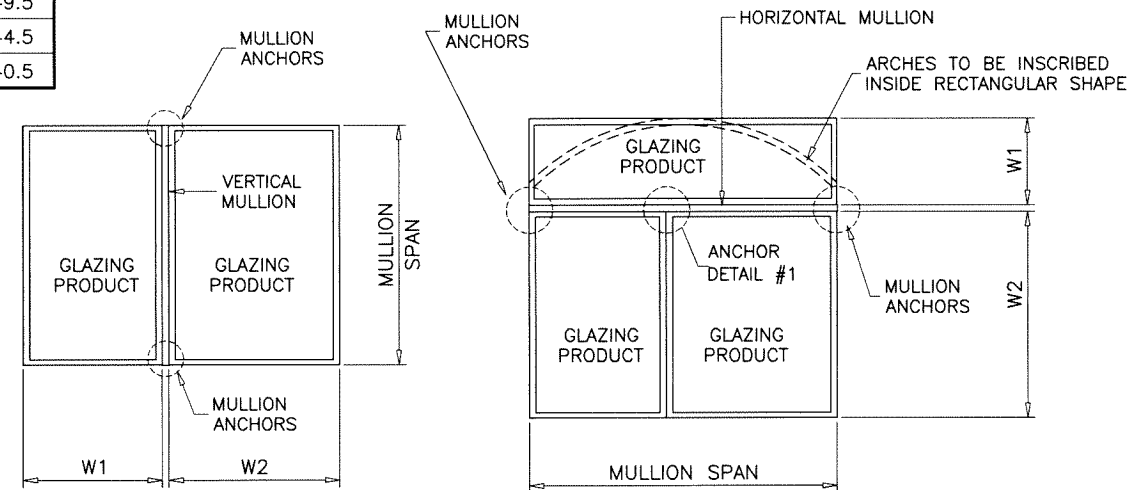
- 1/4" DIA. ULTRACON+ BY 'DEWALT'** (Fu=164 KSI, Fy=148 KSI)
- W4-3: INTO 2BY WOOD BUCKS OR WOOD STRUCTURES
1-1/2" MIN. PENETRATION INTO WOOD
 - W4-3: THRU 1BY BUCKS INTO CONC. OR MASONRY
1-1/4" MIN. EMBED INTO CONC. OR MASONRY
 - B4-3: DIRECTLY INTO HOLLOW/FILLED BLOCK
1-1/4" MIN. EMBED INTO BLOCK
 - C4-3: DIRECTLY INTO CONCRETE
1-1/2" MIN. EMBED INTO CONCRETE

TYPICAL EDGE DISTANCE

INTO CONCRETE AND MASONRY = 2-1/2" MIN.
INTO WOOD STRUCTURE = 1" MIN.

ANCHORS CL TO CL DISTANCE = 3" MIN.

WOOD AT HEAD, SILL OR JAMBS SG = 0.55 MIN.
CONCRETE AT HEAD, SILL OR JAMBS f'c = 3000 PSI MIN.
C-90 HOLLOW/FILLED NORMAL WEIGHT BLOCK AT JAMBS f'm = 2000 PSI MIN.



TYPICAL MULLION ARRANGEMENTS

$$\text{WIDTH (W)} = \frac{W1 + W2}{2}$$

ALL LOADS ARE EXT.(+)/INT.(-).

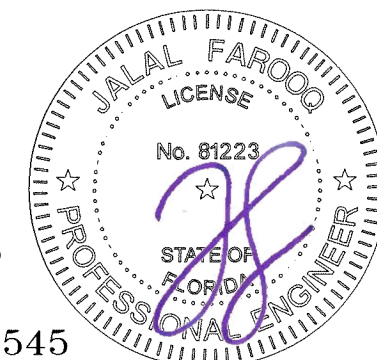
NOTE:
ANY ANCHOR CONDITION SHOWN HEREIN MAY COVER LOCATIONS
AT HEAD, SILL OR JAMB ENDS.
SEE SHEETS 11 THRU 13 FOR ANCHOR DETAILS.

(INTERPOLATION BETWEEN WIDTHS OR SPANS ALLOWED)

Sealed: 7/26/2023

THESE MULLIONS CAN ONLY BE USED WITH
'MARVIN' GLAZING PRODUCTS

FL #34545



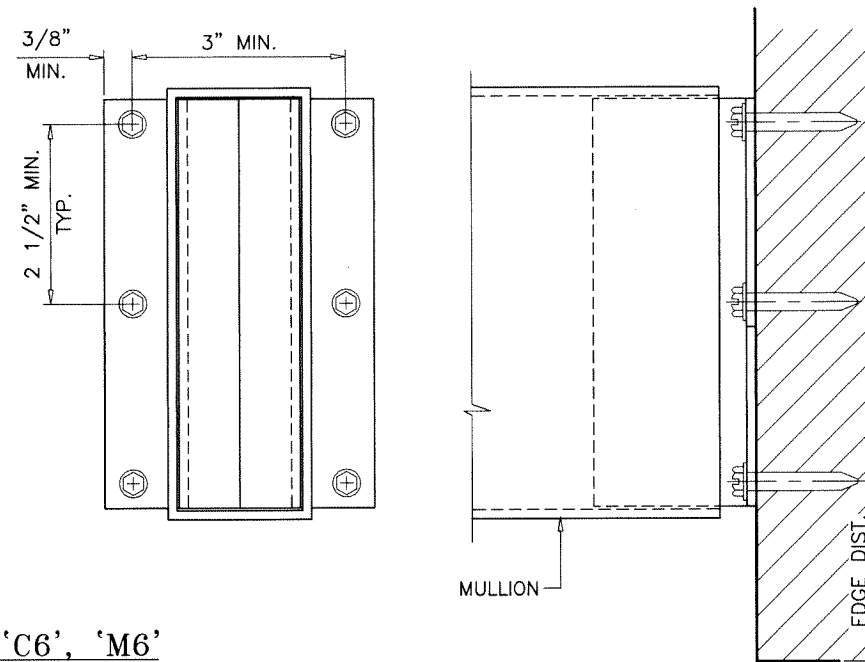
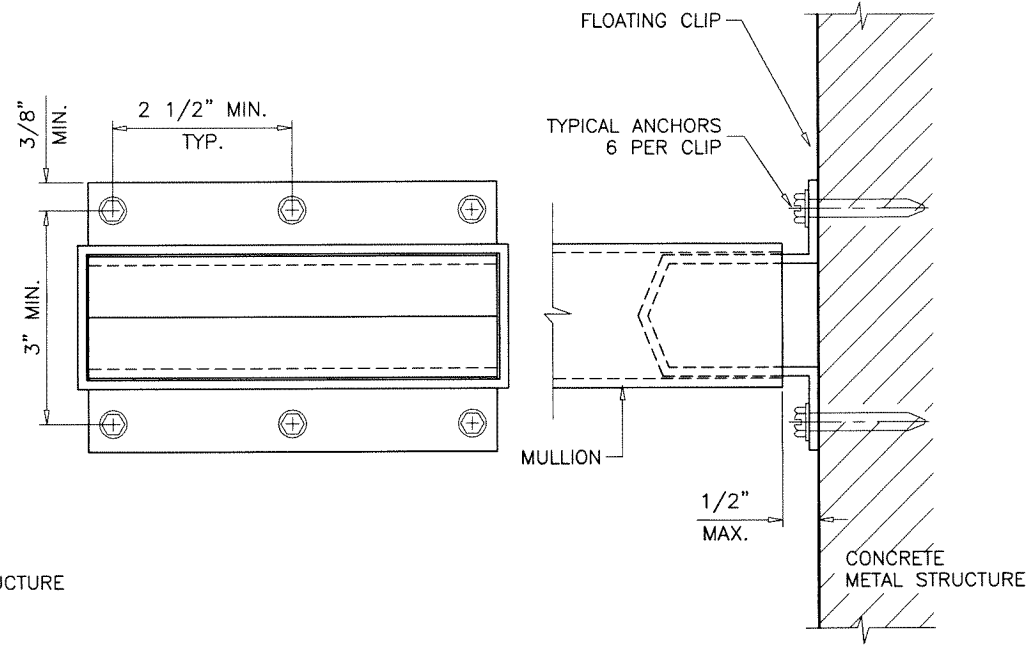
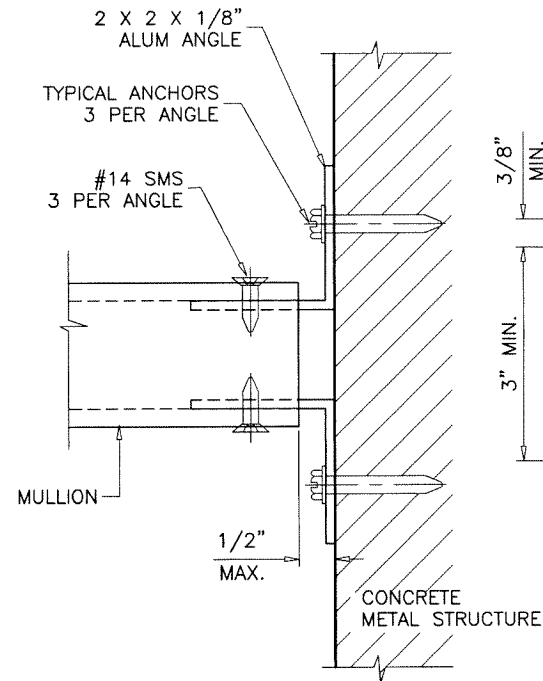
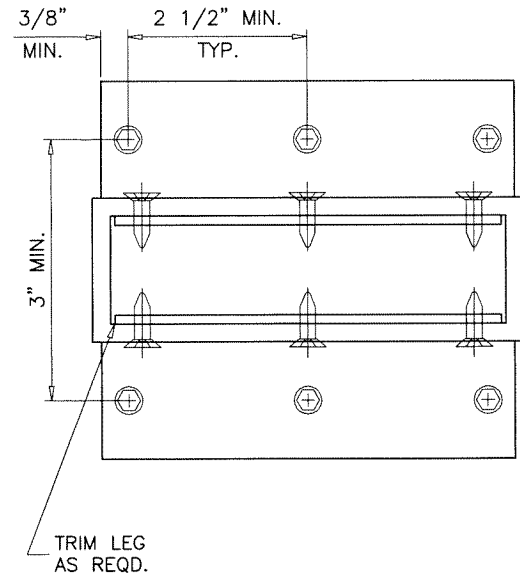
af c
AL-FAROOQ CORPORATION
ENGINEERS & PRODUCT DEVELOPMENT
9360 SUNSET DRIVE, SUITE 220
MIAMI, FLORIDA 33173 (C.A.N. 3538)
TEL. (305) 262-6978 FAX. (305) 262-6978

Clipped, Extruded Aluminum Tube Mullion
MARVIN
PO Box 100, 401 State Ave. N.
Warroad, MN. 56763
Tel. (218) 386-1430 Ext. 2143

no	date	description

date: 07-30-15	scale: 3/8" = 1"
dr. by: TARIQ	chk. by:

drawing no.
M15-06
sheet 14 of 18



TYPICAL ANCHORS TYPE 'C6', 'M6'

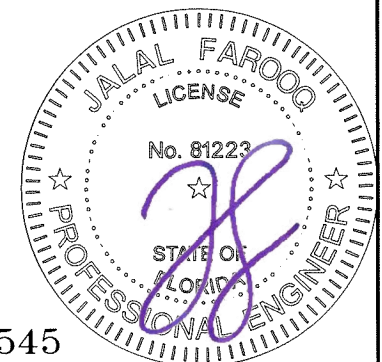
DIRECTLY INTO CONCRETE
INTO METAL STRUCTURES

SEE SHEET 17 FOR ANCHOR CAPACITIES

THESE MULLIONS CAN ONLY BE USED WITH
'MARVIN' GLAZING PRODUCTS

Sealed: 7/26/2023

FL #34545



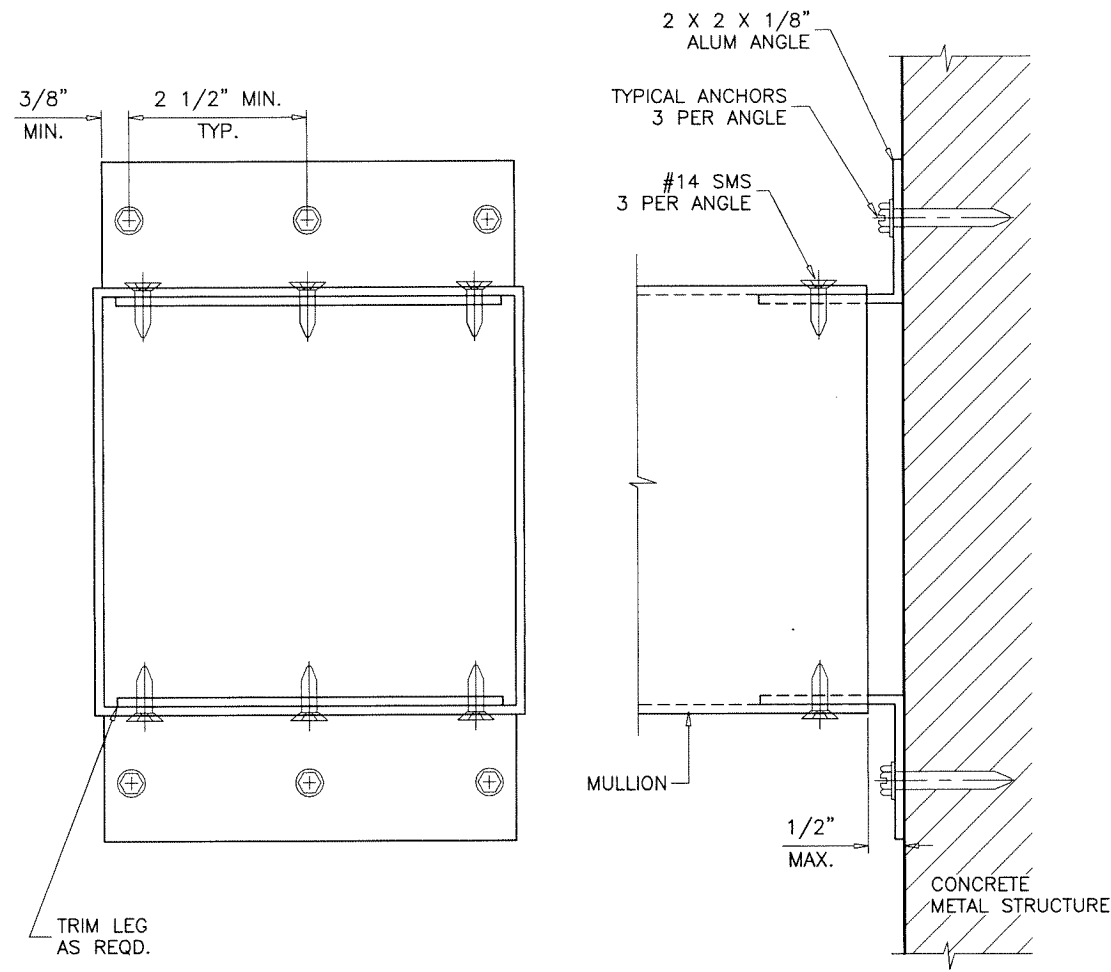
af c
AL-FAROOQ CORPORATION
ENGINEERS & PRODUCT DEVELOPMENT
9360 SUNSET DRIVE, SUITE 220 (C.A.N. 3538)
MIAMI, FLORIDA 33173
TEL. (305) 264-8100 FAX. (305) 262-6978
MULLION M15-06SIW

Clipped, Extruded Aluminum Tube Mullion
MARVIN
PO Box 100, 401 State Ave. N.
Warroad, MN. 56763
Tel. (218) 386-1430 Ext. 2143

revisions:	no	date	by	description

date: 07-30-15
scale: 3/8" = 1"
dr. by: TARIQ
chk. by:

drawing no.
M15-06
sheet 15 of 18



TYPICAL ANCHORS TYPE 'C6', 'M6'
 DIRECTLY INTO CONCRETE
 INTO METAL STRUCTURES
 SEE SHEET 17 FOR ANCHOR CAPACITIES

THESE MULLIONS CAN ONLY BE USED WITH
 'MARVIN' GLAZING PRODUCTS

Sealed: 7/26/2023

FL #34545



af c
AL-FAROOQ CORPORATION
 ENGINEERS & PRODUCT DEVELOPMENT
 9360 SUNSET DRIVE, SUITE 220 (C.A.N. 3538)
 MIAMI, FLORIDA 33173
 TEL. (305) 264-8100 FAX. (305) 262-6978
 MULLION M15-06SIW

Clipped, Extruded Aluminum Tube Mullion
MARVIN
 PO Box 100, 401 State Ave. N.
 Warroad, MN. 56763
 Tel. (218) 386-1430 Ext. 2143

no	date	by	description

date: 07-30-15
 scale: 3/8" = 1"
 dr. by: TARIQ
 chk. by:

drawing no.
M15-06
 sheet 16 of 18

DESIGN LOAD CAPACITY - PSF				DESIGN LOAD CAPACITY - PSF				DESIGN LOAD CAPACITY - PSF			
WINDOW DIMS.		ANCHORS TYPE		WINDOW DIMS.		ANCHORS TYPE		WINDOW DIMS.		ANCHORS TYPE	
WIDTH (W)	MULL SPAN	C6	M6	WIDTH (W)	MULL SPAN	C6	M6	WIDTH (W)	MULL SPAN	C6	M6
19-1/8"	38-3/8"	130.0	130.0	19-1/8"	78"	130.0	130.0	19-1/8"	120"	130.0	130.0
26-1/2"		130.0	130.0	26-1/2"		130.0	130.0	26-1/2"		130.0	130.0
30"		130.0	130.0	30"		130.0	130.0	30"		130.0	130.0
37"		130.0	130.0	37"		130.0	130.0	37"		108.6	130.0
42"		130.0	130.0	42"		130.0	130.0	42"		95.7	130.0
48"		130.0	130.0	48"		128.8	130.0	48"		83.7	117.2
54"		130.0	130.0	54"		114.5	130.0	54"		74.4	104.1
60"		130.0	130.0	60"		103.0	130.0	60"		67.0	93.7
66"	130.0	130.0	66"	93.7	130.0	66"	60.9	85.2			
72"	130.0	130.0	72"	85.8	120.2	72"	55.8	78.1			
19-1/8"	50-5/8"	130.0	130.0	19-1/8"	84"	130.0	130.0	19-1/8"	132"	130.0	130.0
26-1/2"		130.0	130.0	26-1/2"		130.0	130.0	26-1/2"		130.0	130.0
30"		130.0	130.0	30"		130.0	130.0	30"		121.7	130.0
37"		130.0	130.0	37"		130.0	130.0	37"		98.7	130.0
42"		130.0	130.0	42"		130.0	130.0	42"		87.0	121.7
48"		130.0	130.0	48"		119.6	130.0	48"		76.1	106.5
54"		130.0	130.0	54"		106.3	130.0	54"		67.6	94.7
60"		130.0	130.0	60"		95.7	130.0	60"		60.9	85.2
66"	130.0	130.0	66"	87.0	121.7	66"	55.3	77.5			
72"	130.0	130.0	72"	79.7	111.6	72"	50.7	71.0			
19-1/8"	63"	130.0	130.0	19-1/8"	96"	130.0	130.0	19-1/8"	144"	130.0	130.0
26-1/2"		130.0	130.0	26-1/2"		130.0	130.0	26-1/2"		126.3	130.0
30"		130.0	130.0	30"		130.0	130.0	30"		111.6	130.0
37"		130.0	130.0	37"		130.0	130.0	37"		90.5	126.6
42"		130.0	130.0	42"		119.6	130.0	42"		79.7	111.6
48"		130.0	130.0	48"		104.6	130.0	48"		69.8	97.6
54"		130.0	130.0	54"		93.0	130.0	54"		62.0	86.8
60"		127.5	130.0	60"		83.7	117.2	60"		55.8	78.1
66"	115.9	130.0	66"	76.1	106.5	66"	50.7	71.0			
72"	106.3	130.0	72"	69.8	97.6	72"					
19-1/8"	74-1/4"	130.0	130.0	19-1/8"	108"	130.0	130.0	19-1/8"		130.0	130.0
26-1/2"		130.0	130.0	26-1/2"		130.0	130.0	26-1/2"		130.0	130.0
30"		130.0	130.0	30"		130.0	130.0	30"		130.0	130.0
37"		130.0	130.0	37"		120.6	130.0	37"		120.6	130.0
42"		130.0	130.0	42"		106.3	130.0	42"		106.3	130.0
48"		130.0	130.0	48"		93.0	130.0	48"		93.0	130.0
54"		120.2	130.0	54"		82.7	115.7	54"		82.7	115.7
60"		108.2	130.0	60"		74.4	104.1	60"		74.4	104.1
66"	98.4	130.0	66"	67.6	94.7	66"	67.6	94.7			
72"	90.2	126.2	72"	62.0	86.8	72"	62.0	86.8			

ALL LOADS ARE EXT.(+)/INT.(-).

NOTE:
 ANY ANCHOR CONDITION SHOWN HEREIN MAY COVER LOCATIONS
 AT HEAD, SILL OR JAMB ENDS.
 SEE SHEETS 15 & 16 FOR ANCHOR DETAILS.

(INTERPOLATION BETWEEN WIDTHS OR SPANS ALLOWED)

TYPICAL ANCHORS:

1/4" DIA. ULTRACON+ BY 'DEWALT' (Fu=164 KSI, Fy=148 KSI)

C6: DIRECTLY INTO CONCRETE
 1-1/2" MIN. EMBED INTO CONCRETE

1/4" DIA. TEKS OR SELF DRILLING SCREWS (GRADE 5 CRS)

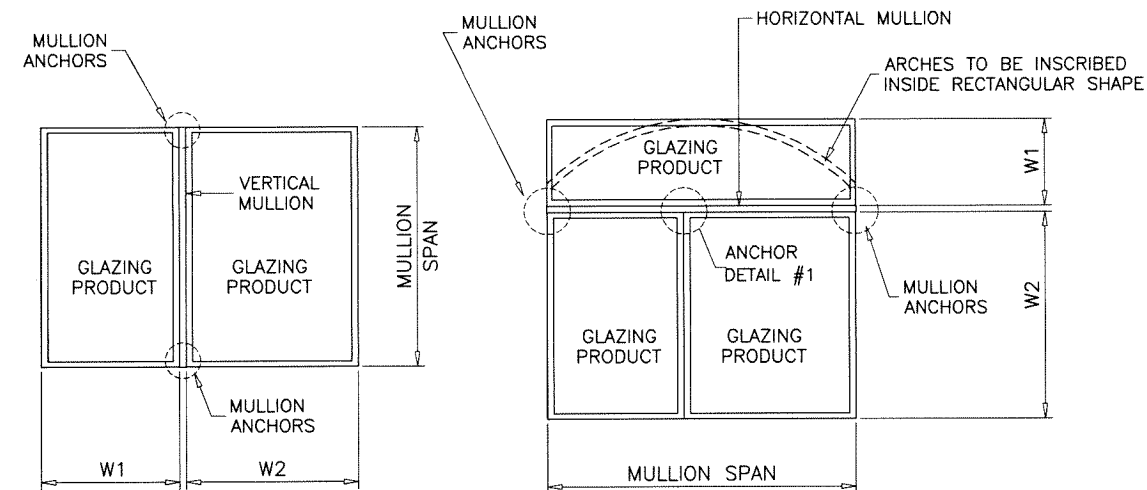
M6: INTO METAL STRUCTURES
 STEEL : 1/8" THK. MIN. (Fy = 36 KSI MIN.)
 ALUMINUM : 1/8" THK. MIN. (6063-T5 MIN.)
 (STEEL IN CONTACT WITH ALUMINUM TO BE PLATED OR PAINTED)

TYPICAL EDGE DISTANCE

INTO CONCRETE = 2-1/2" MIN.
 INTO METAL STRUCTURE = 3/4" MIN.

ANCHORS CL TO CL DISTANCE = 2-1/2" MIN.

CONCRETE AT HEAD, SILL OR JAMBS f'c = 3000 PSI MIN.

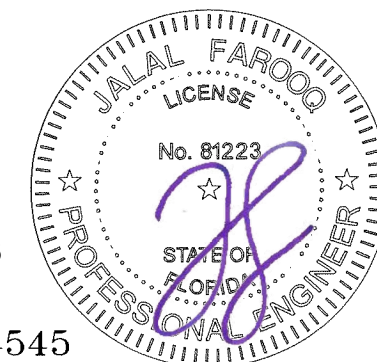


TYPICAL MULLION ARRANGEMENTS

$$\text{WIDTH (W)} = \frac{W1 + W2}{2}$$

THESE MULLIONS CAN ONLY BE USED WITH
 'MARVIN' GLAZING PRODUCTS

Sealed: 7/26/2023



FL #34545

af c
AL-FAROOQ CORPORATION
 ENGINEERS & PRODUCT DEVELOPMENT
 9360 SUNSET DRIVE, SUITE 220 (C.A.N. 3538)
 MIAMI, FLORIDA 33173 FAX: (305) 262-6978
 TEL: (305) 264-8100 MULLION\M15-06SIW

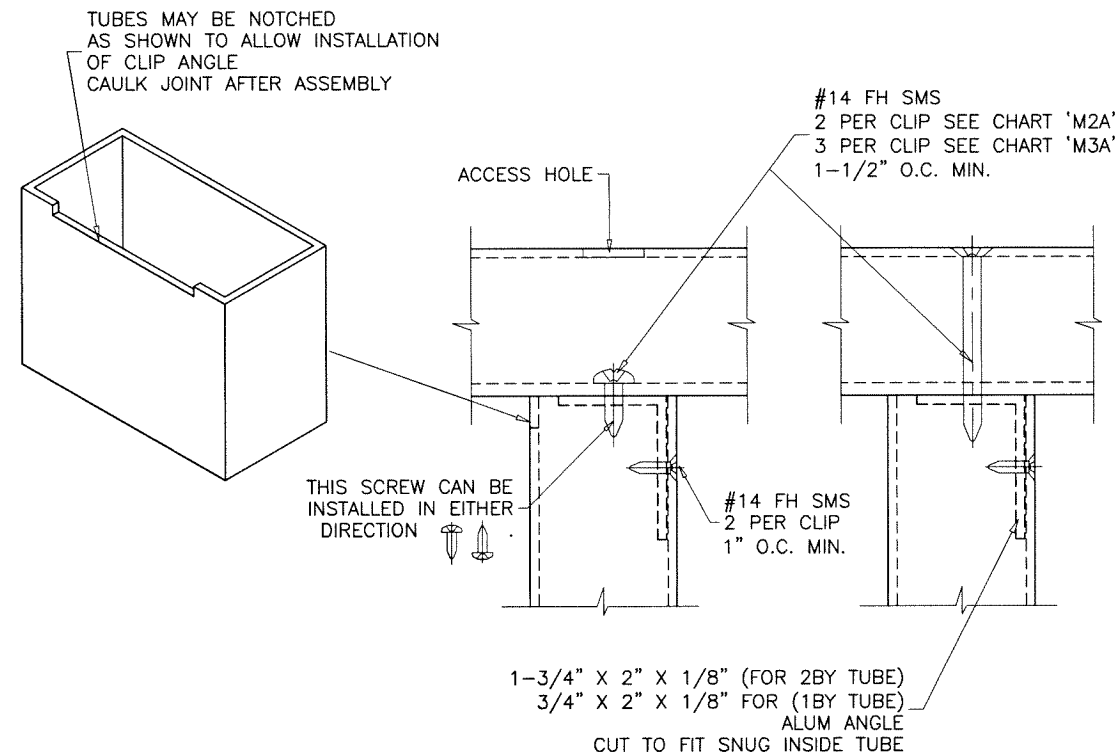
Clipped, Extruded Aluminum Tube Mullion
MARVIN
 PO Box 100, 401 State Ave. N.
 Warroad, MN. 56763
 Tel. (218) 386-1430 Ext. 2143

no	date	description

revisions:
 date: 07-30-15
 scale: 3/8" = 1"
 dr. by: TARIQ
 chk. by:

drawing no.
M15-06
 sheet 17 of 18

DESIGN LOAD CAPACITY - PSF				DESIGN LOAD CAPACITY - PSF				DESIGN LOAD CAPACITY - PSF				
WINDOW DIMS.		ANCHORS TYPE		WINDOW DIMS.		ANCHORS TYPE		WINDOW DIMS.		ANCHORS TYPE		
WIDTH (W)	MULL SPAN	M2A	M3A	WIDTH (W)	MULL SPAN	M2A	M3A	WIDTH (W)	MULL SPAN	M2A	M3A	
19-1/8"	38-3/8"	130.0	130.0	19-1/8"	78"	130.0	130.0	19-1/8"	120"	98.0	130.0	
26-1/2"		130.0	130.0	26-1/2"		108.8	130.0	26-1/2"		70.7	106.1	
30"		130.0	130.0	30"		96.1	130.0	30"		62.5	93.7	
37"		130.0	130.0	37"		77.9	116.9	37"		50.7	76.0	
42"		130.0	130.0	42"		68.7	103.0	42"		44.6	66.9	
48"		122.1	130.0	48"		60.1	90.1	48"		39.1	58.6	
54"		108.5	130.0	54"		53.4	80.1	54"		34.7	52.1	
60"		97.7	130.0	60"		48.1	72.1	60"		31.2	46.9	
66"		88.8	130.0	66"		43.7	65.5	66"		28.4	42.6	
72"		81.4	122.1	72"		40.1	60.1	72"		26.0	39.1	
19-1/8"	50-5/8"	130.0	130.0	19-1/8"	84"	130.0	130.0	19-1/8"	132"	89.1	130.0	
26-1/2"		130.0	130.0	26-1/2"		101.0	130.0	26-1/2"		64.3	96.5	
30"		130.0	130.0	30"		89.3	130.0	30"		56.8	85.2	
37"		120.1	130.0	37"		72.4	108.6	37"		46.1	69.1	
42"		105.8	130.0	42"		63.8	95.6	42"		40.6	60.9	
48"		92.6	130.0	48"		55.8	83.7	48"		35.5	53.3	
54"		82.3	123.4	54"		49.6	74.4	54"		31.6	47.3	
60"		74.1	111.1	60"		44.6	66.9	60"		28.4	42.6	
66"		67.3	101.0	66"		40.6	60.9	66"		25.8	38.7	
72"		61.7	92.6	72"		37.2	55.8	72"		23.7	35.5	
19-1/8"	63"	130.0	130.0	19-1/8"	96"	122.5	130.0	19-1/8"	144"	81.7	122.5	
26-1/2"		130.0	130.0	26-1/2"		88.4	130.0	26-1/2"		58.9	88.4	
30"		119.0	130.0	30"		78.1	117.2	30"		52.1	78.1	
37"		96.5	130.0	37"		63.3	95.0	37"		42.2	63.3	
42"		85.0	127.5	42"		55.8	83.7	42"		37.2	55.8	
48"		74.4	111.6	48"		48.8	73.2	48"		32.5	48.8	
54"		66.1	99.2	54"		43.4	65.1	54"		28.9	43.4	
60"		59.5	89.3	60"		39.1	58.6	60"		26.0	39.1	
66"		54.1	81.1	66"		35.5	53.3	66"		23.7	35.5	
72"		49.6	74.4	72"		32.5	48.8	72"		23.7	35.5	
19-1/8"	74-1/4"	130.0	130.0	19-1/8"	108"	108.9	130.0	19-1/8"				
26-1/2"		114.3	130.0	26-1/2"		78.6	117.9	26-1/2"				
30"		101.0	130.0	30"		69.4	104.1	30"				
37"		81.9	122.8	37"		56.3	84.4	37"				
42"		72.1	108.2	42"		49.6	74.4	42"				
48"		63.1	94.7	48"		43.4	65.1	48"				
54"		56.1	84.1	54"		38.6	57.9	54"				
60"		50.5	75.7	60"		34.7	52.1	60"				
66"		45.9	68.8	66"		31.6	47.3	66"				
72"		42.1	63.1	72"		28.9	43.4	72"				

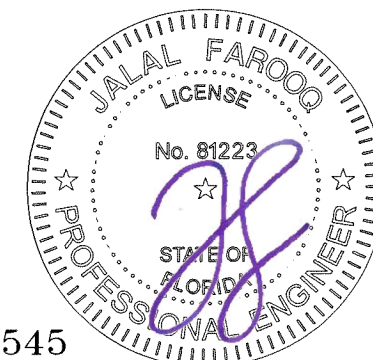


ANCHOR DETAIL #1
METAL TO METAL CONNECTION

THESE MULLIONS CAN ONLY BE USED WITH 'MARVIN' GLAZING PRODUCTS

Sealed: 7/26/2023

FL #34545



af c
AL-FAROOQ CORPORATION
ENGINEERS & PRODUCT DEVELOPMENT
9360 SUNSET DRIVE, SUITE 220 (C.A.N. 3538)
MIAMI, FLORIDA 33173
TEL. (305) 264-8100 FAX. (305) 262-6978
MULLION M15-06SIW

Clipped, Extruded Aluminum Tube Mullion
MARVIN
PO Box 100, 401 State Ave. N.
Warroad, MN. 56763
Tel. (218) 386-1430 Ext. 2143

no	date	by	description

date: 07-30-15
scale: 3/8" = 1"
dr. by: TARIQ
chk. by:

drawing no.
M15-06
sheet 18 of 18