

Elevate BiFold Door

- Unit Features..... 1
- Standard Divided Lite Options..... 5
- Minimum and Maximum Guidelines 9
- Certified Sizes and Ratings 10
- Standard Size Chart - Certified Units 11
- Access Panel - Net Clear Opening..... 12
- Sill Detail: Performance Sill 15
- Section Details: Horizontal 16
- Section Detail: Vertical 4 9/16" Outside Jamb Screen 17
- Section Details: Vertical 6 9/16" with Inside/Outside Jamb Screen 18
- Section Details: Horizontal with Screen (with Outside Jamb Screen) 19
- Section Details: Horizontal with Screen (Inside Jamb Screen) 20

Unit Features

Elevate Bi-Fold Door:

ELBFLD - Elevate Bi-Fold Door

- Choose from 1 to 7 panels, 28 configurations. Configurations include stationary, left, right, or center operation. Some configurations include an access panel that opens like a traditional swinging door for easy access. Other configurations have folding panels that allow for an uninhibited opening.

Frame and Panel:

- The frame and sash exteriors are made of Ultrex®, an advanced fiberglass reinforced pultrusion material that is resistant to thermal conductance.
- Exterior colors: Stone White, Pebble Gray, Bronze, Cashmere, Gunmetal, or Ebony. Frame and sash color may be selected independently.
- The interior is non finger-jointed pine, kiln-dried to a moisture content 6-12% at time of fabrication. Water repellent, preservative treated. Interior wood is available as Pine wood or factory-applied white, clear, or designer black interior finishes. Frame and sash color may be selected independently.

Frame:

- Frame consists of jamb(s), head jamb, and sill
- Frame components are 1 11/16" (43) thick with a jamb depth of 4 9/16" (117) and a frame depth of 5 11/16" (144)

Panel:

- Panel thickness: 1 3/4" (43)
 - Top and bottom rail heights, and stile widths: 3 5/8" (92)
- Astragal:
 - Astragals applied to the secondary swing panel and seals against the primary swing panel. On 2L2R configuration, the astragal is placed on the right-hand leading panel (from exterior) and seals against interior of left-hand leading panel.
 - Dimensions: 1 43/64" (46) x 1 7/16" (37).

Sill:

- Performance sill is designed as a sealed draining system with enhanced thermal properties
 - Material: Ultrex with aluminum sill liner to the interior
 - Extruded vinyl sill insert
 - Frame weather strip, beige or black to match sill colors
 - 5 11/16" (144) wide x 2 5/32" (55) tall

Unit Features

Hardware:

• Hinges

- Two or three hinges per folding panel joint
- Material: Stainless steel
- Available Colors: Black or brushed stainless

• Multi-point lock system:

- Applied to active and inactive panels
- 2 3/8" backset with latch engagement and three locking points: deadbolt, sill bolt, and head bolt
- Keyed
- Multi-point lock, latch and deadbolt assembly included on each operating door. Handle has standard deadbolt and top and bottom shoot bolts which are operated by the handle set
- Handle set: interior and exterior selected separately.
 - Polyester powder coat finish on zinc die-cast
 - Designs: Cambridge (standard) and Northfield (optional) handle sets
 - Colors: Almond Frost, White and Matte Black
 - Optional finishes are applied to a solid brass substrate
 - Designs: Cambridge (standard) and Northfield (optional) handle sets
 - Colors: Brass PVD, Satin Nickel PVD, and Oil Rubbed Bronze PVD
 - Standard locking strike plate will be stainless steel,

• Folding Panel Handle

- Material: Stainless Steel
- Available Colors: Black or Brushed Stainless

• Magnetic door catch assembly

- Exterior magnets secure panels in open position.
- Color: Magnets available in Black or Brushed Stainless to match exterior hardware package.

Unit Features Continued**Glass:**

- Dual-pane units are manufactured with 3/4" (19) Tempered IG with Low E1, E2, E3, or E3/ERS coatings including argon gas or air fill. Clear (uncoated) glass available with air fill only. Obscure glass is available as an option.
- The glazing seal is a silicone bedding on both interior and exterior surfaces utilized in a sandwich style sash.
- STC/OITC values are available for 3.1 mm glass thickness.
 - Optional 3.1/4/7 upgrade glass is available. See the Product Performance chapter for STC and OITC ratings.
- Decorative Glass options include glue chip, frost, and tinted (bronze, gray, or green)

Simulated Divided Lites (SDL):

- Interior bar: 7/8" (22) wide bars. Pine bare wood with optional white, clear, and designer black interior finishes.
- Exterior bar: Ultrex, 7/8" (22) wide bars, finish to match exterior.
 - Pattern: Standard rectangular pattern, 6 or 9 lite Prairie cut, Simulated Rail Rectangular or Prairie, or Cottage style cut.
- Simulated check rail option: 2 11/32" (60).
- Patterns available: simulated rail in standard center or customer specified location with 7/8" pattern above, below, or both in pattern of rectangular equal lite or Prairie lite cuts.

Grilles-Between-the-Glass (GBG):

- 23/32" (18) contoured aluminum bar placed between two panes of glass.
- Pattern: Standard rectangular pattern, 6 or 9 lite Prairie cut, or Cottage style cut.
- Exterior color options: Stone White, Pebble Gray, Bronze, Cashmere, Gunmetal, or Ebony.
- Interior color options: White, Bronze, or Ebony.

Interior Screen (optional):

- Retractable, pleated screen,
 - Screen Frame color:
 - Standard: White, Desert Tan, Brownstone, and Black
- Screen mesh: Polypropylene with UV Surface Treatment
 - Color: Charcoal
- Single Screen:
 - Open from left to right or right to left
 - Maximum Screen Frame OM Width is 177" (4496)
- Double Screen:
 - Two screens open from each side and meet together
 - Maximum Screen Frame OM Width is 315" (8001)
- Maximum Screen OM Height for all configurations is 118" (2997)

Unit Features

Weather Strip:

- All units are constructed with vinyl weather strip at all panel perimeter joints. Weather strip exposed to the exterior will be a UV (ultraviolet) resistant material.
- Sill weather strip seals against the panel
 - Foam-filled leaf
 - Colors: Beige for beige sill, Black for bronze sill
- Jamb weather strip seals against the interior of the panel
 - Dual, hollow bulb applied to jamb, seals against interior of panel
 - Colors: Black
- Head Jamb weather strip
 - Foam-filled leaf is applied to the interior head jamb and seals against panel
 - Single, Hollow bulb is used to seal against the exterior of the top rails
 - Color: Black
- Panel weather strip
 - Stile weather strip
 - Between panels, each opposing stile has two rows of single bulb weather strip to seal against each other.
 - Between the jamb and panel, there are locking stiles and pivot stiles. Locking stiles have a single row of single bulb weather strip. Pivot stiles use two rows of single bulb weather strip
 - Color: Black
 - Bottom rail weather strip
 - Under each panel, there is one row of single hollow bulb weather strip to seal against the exterior of the sill.
 - Color: Black
 - Astragal weather strip
 - Dual hollow bulb
 - Single hollow bulb on exterior
 - Color: Black

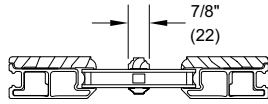
Jamb Extension:

- Extension Thickness: 9/16" (14)
- Multiple depths available from 1/8" (3), 1/4" (6), and depths varying between 1/2" (13) and 4" (102) at 1/16" (2) increments
- Maximum jamb depth is 8 9/16" (217)
- All jamb extension is shipped loose
- Material: Bare Pine
- Option: factory-applied white, designer black, and clear lacquer interior finish

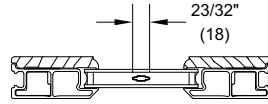
Packaging:

- Knocked-Down (KD) only
 - Panels are packaged in cardboard, foam, stretch wrap, and strapping. Frame components are wrapped in paper, packaged in cardboard, and strapped together.

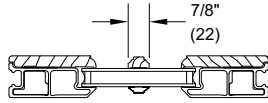
Standard Divided Lite Options



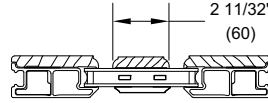
7/8" Wood SDL with Spacer Bar



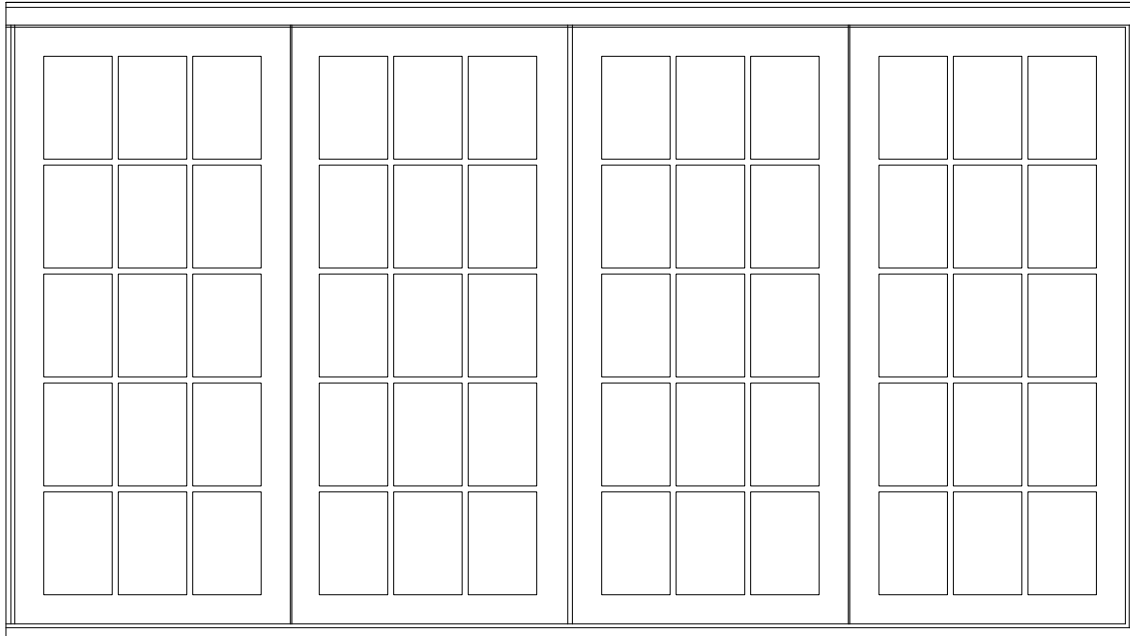
Aluminum Grille Between Glass



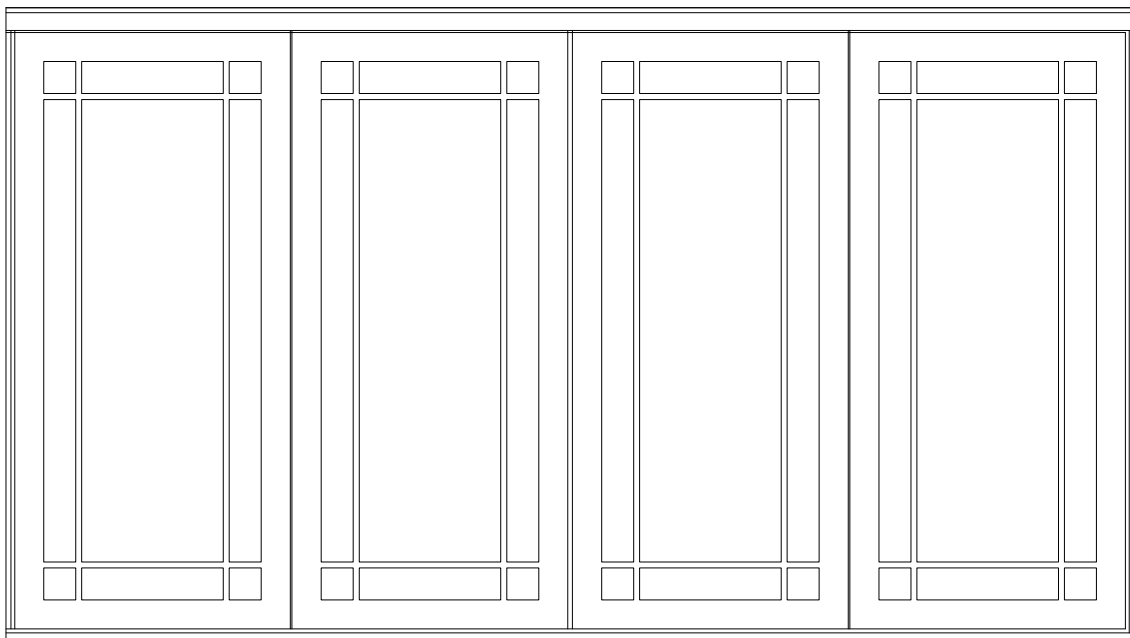
7/8" Wood SDL without Spacer Bar



2 11/32" Simulated Checkrail

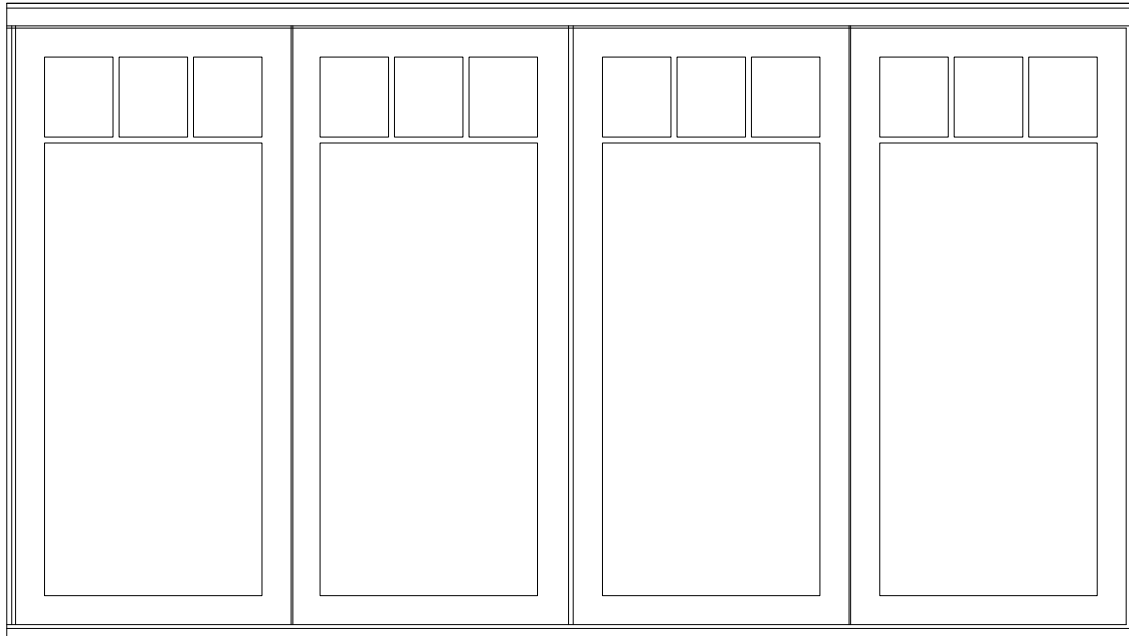


Rectangle Cut

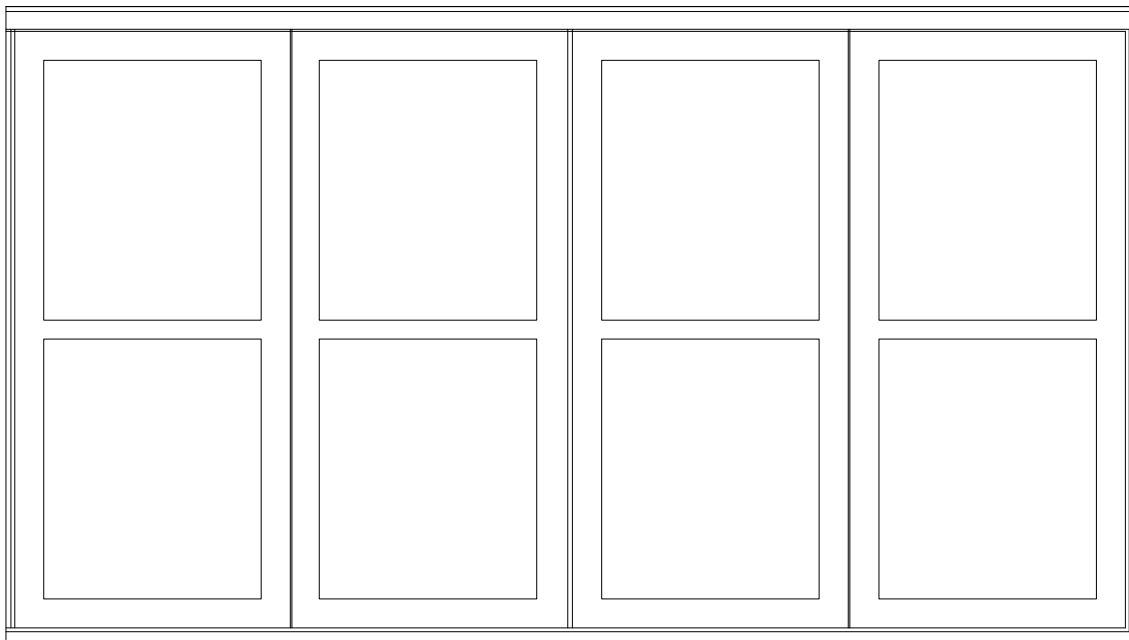


Prairie Lite Cut

Standard Divided Lite Options



Cottage Lite Cut



Simulated Checkrail

Standard Divided Lite Options

Default Rectangular Lite Pattern per Panel - GBG, SDL, SDLS

Standard CN Height	Standard CN Width	
	30	34
65	3W5H	3W5H
68	3W5H	3W5H
70	3W5H	3W5H
80	3W6H	3W6H

Optional Rectangular Lite Pattern per Panel - GBG, SDL, SDLS

Standard CN Height	Standard CN Width	
	30	34
65	2W5H	2W5H
68	2W5H	2W5H
70	2W5H	2W5H
80	2W6H	2W6H

Optional Prairie Lite Pattern per Panel - GBG, SDL, SDLS

Standard CN Height	Standard CN Width	
	30	34
65	9-Lite	9-Lite
68	9-Lite	9-Lite
70	9-Lite	9-Lite
80	9-Lite	9-Lite

NOTE: Prairie Pattern GBG and SDLS are not available for CN80 height.

Optional Cottage Lite Pattern per Panel - SDL, SDLS

Standard CN Height	Standard CN Width	
	30	34
65	4-Lite	4-Lite
68	4-Lite	4-Lite
70	4-Lite	4-Lite
80	4-Lite	4-Lite

NOTE: Due to the inherent qualities of tempered glass, daylight gaps may be seen when using simulated divided lite bars. Daylight gaps could be visible between the internal spacer bar and surface applied bars when viewing from an acute angle to the glass on the following applications:

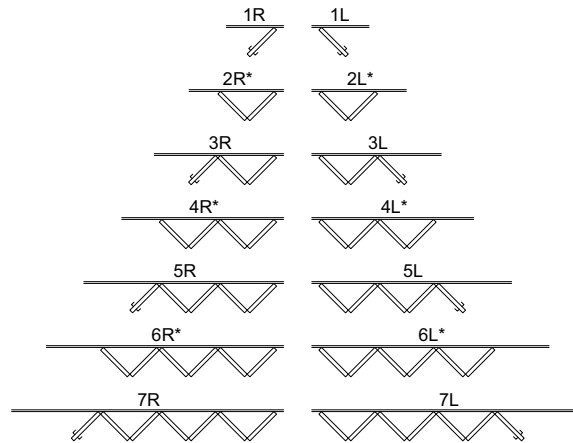
- Tempered glass over 91" high while using 7/8" SDL bars.

Configurations

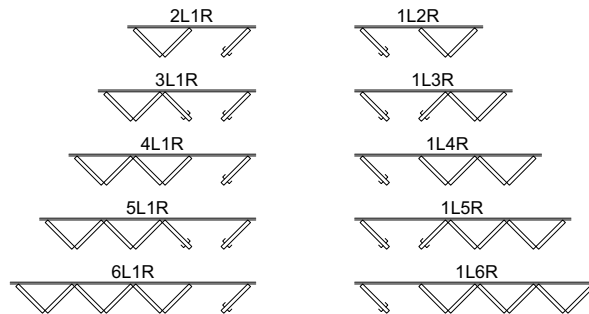
Stationary Unit



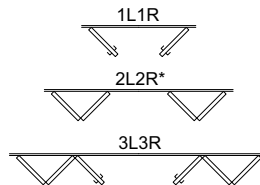
Uni-directional Left or Right Units



Uni-directional Left or Right Units with Operating Panel/s



Bi-parting (equal) Units



* Not accessible from the exterior.

Minimum and Maximum Guidelines

Unit Type	Frame Size							
	Min Width		Min Height		Max Width		Max Height	
	in	mm	in	mm	in	mm	in	mm
O	24 1/2	(629)	79 1/2	(2019)	39 9/32	(998)	95 1/2	(2426)
1L, 1R	24 3/4	(629)	79 1/2	(2019)	39 9/32	(998)	95 1/2	(2426)
2L, 2R, 1L1R	47 7/8	(1216)	79 1/2	(2019)	76 59/64	(1954)	95 1/2	(2426)
3L, 3R, 2L1R, 1L2R	70 37/64	(1793)	79 1/2	(2019)	114 5/32	(2900)	95 1/2	(2426)
4L, 4R, 3L1R, 1L3R, 2L2R	93 5/8	(2378)	79 1/2	(2019)	151 23/32	(3854)	95 1/2	(2426)
5L, 5R, 4L1R, 1L4R	116 25/64	(2956)	79 1/2	(2019)	189	(4801)	95 1/2	(2426)
6L, 6R, 5L1R, 1L5R, 3L3R	139 21/64	(3539)	79 1/2	(2019)	226 15/32	(5752)	95 1/2	(2426)
7L, 7R, 6L1R, 1L6R	162 3/16	(4120)	79 1/2	(2019)	263 27/32	(6702)	95 1/2	(2426)

NOTE: Frame size widths in operator configurations are not available within this range:

- 39 9/32" (largest one panel) to < 47 7/8" (smallest two panel)

*** Frame height measured to top of floor channel

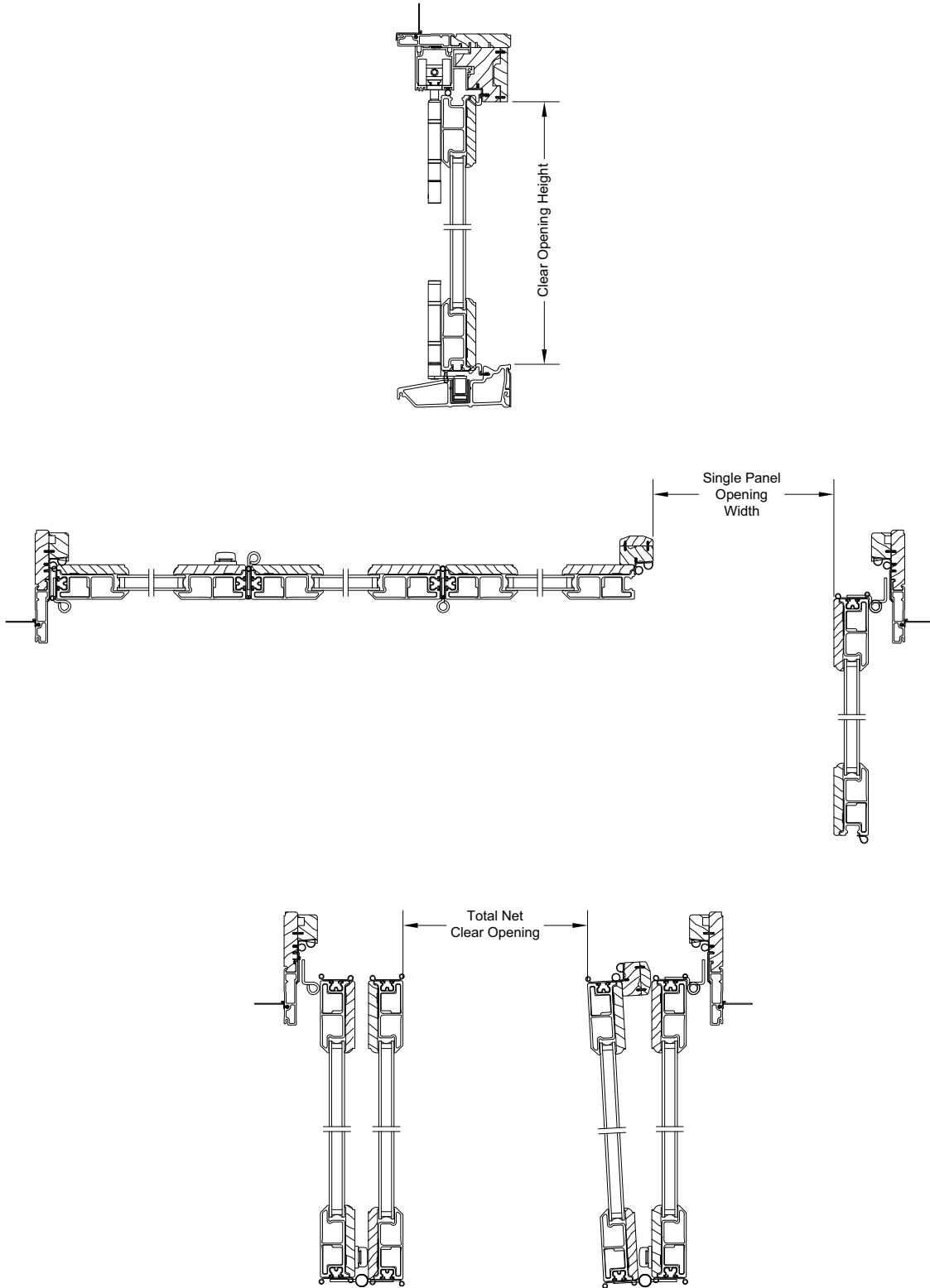
Certified Sizes and Ratings

Product	Air Tested to psf	Water Tested to psf	Design Pressure (DP)	Certification Rating	Max Overall Frame Width		Max Overall Frame Height	
					in	mm	in	mm
Elevate Bi-Fold Door (O)	1.57	4.59	30	LC-PG30-FLD	39.275	(998)	95.5	(2426)
Elevate Bi-Fold Door (1L, 1R)	1.57	4.59	30	LC-PG30-FLD	39.275	(998)	95.5	(2426)
Elevate Bi-Fold Door (2L, 2R, 1L1R)	1.57	4.59	30	LC-PG30-FLD	76.926	(1954)	95.5	(2426)
Elevate Bi-Fold Door (3L, 3R, 2L1R, 1L2R)	1.57	4.59	30	LC-PG30-FLD	114.153	(2899)	95.5	(2426)
Elevate Bi-Fold Door (4L, 4R, 3L1R, 1L3R, 2L2R)	1.57	4.59	30	LC-PG30-FLD	151.725	(3854)	95.5	(2426)
Elevate Bi-Fold Door (5L, 5R, 4L1R, 1L4R)	1.57	4.59	30	LC-PG30-FLD	189	(4801)	95.5	(2426)
Elevate Bi-Fold Door (6L, 6R, 5L1R, 1L5R, 3L3R)	1.57	4.59	30	LC-PG30-FLD	226.463	(5752)	95.5	(2426)
Elevate Bi-Fold Door (7L, 7R, 6L1R, 1L6R)	1.57	4.59	30	LC-PG30-FLD	263.847	(6702)	95.5	(2426)

Standard Size Chart - Certified Units

Elevate Bi-Fold Unit Measurements													
Width													
Unit Type	CN	Masonry Opening		Rough Opening		Frame Size		Panel OM		Daylight Opening		Glass Size	
		ft - in	mm	ft - in	mm	ft - in	mm	ft-in	mm	ft - in	mm	in	mm
1 Panel Stationary	3-0	3-1 3/32	(942)	3-1 19/32	(955)	3-0 19/32	(929)	2-10 11/16	(881)	2-3 7/16	(697)	28 11/16	(729)
	3-4	3-3 25/32	(1010)	3-4 9/32	(1023)	3-3 9/32	(998)	3-1 3/8	(949)	2-6 1/8	(765)	31 3/8	(797)
1 Panel Operator	3-0	3-1 3/32	(942)	3-1 19/32	(955)	3-0 19/32	(929)	2-10 7/16	(875)	2-3 3/16	(691)	28 7/16	(722)
	3-4	3-3 25/32	(1010)	3-4 9/32	(1023)	3-3 9/32	(998)	3-1 1/8	(943)	2-5 7/8	(759)	31 7/64	(790)
2 Panel	6-0	6-0 1/16	(1830)	6-0 9/16	(1843)	5-11 9/16	(1818)	2-10 7/16	(875)	2-3 3/16	(691)	28 7/16	(722)
	6-6	6-5 27/64	(1967)	6-5 59/64	(1979)	6-4 59/64	(1954)	3-1 1/8	(943)	2-5 7/8	(759)	31 7/64	(790)
3 Panel	9-0	8-10 39/64	(2708)	8-11 7/64	(2721)	8-10 7/64	(2695)	2-10 7/16	(875)	2-3 3/16	(691)	28 7/16	(722)
	9-8	9-6 21/32	(2912)	9-7 5/32	(2925)	9-6 5/32	(2899)	3-1 1/8	(943)	2-5 7/8	(759)	31 7/64	(790)
4 Panel	12-0	11-9 1/2	(3594)	11-10	(3607)	11-9	(3581)	2-10 7/16	(875)	2-3 3/16	(691)	28 7/16	(722)
	12-8	12-8 7/32	(3867)	12-8 23/32	(3879)	12-7 23/32	(3854)	3-1 1/8	(943)	2-5 7/8	(759)	31 7/64	(790)
5 Panel	15-0	14-8 3/32	(4473)	14-8 19/32	(4485)	14-7 19/32	(4460)	2-10 7/16	(875)	2-3 3/16	(691)	28 7/16	(722)
	16-0	15-9 1/2	(4813)	15-10	(4826)	15-9	(4801)	3-1 1/8	(943)	2-5 7/8	(759)	31 7/64	(790)
6 Panel	17-8	17-6 7/8	(5356)	17-7 3/8	(5369)	17-6 3/8	(5344)	2-10 7/16	(875)	2-3 3/16	(691)	28 7/16	(722)
	19-0	18-10 31/32	(5765)	18-11 15/32	(5778)	18-10 15/32	(5752)	3-1 1/8	(943)	2-5 7/8	(759)	31 7/64	(790)
7 Panel	20-6	20-5 37/64	(6238)	20-6 5/64	(6250)	20-5 5/64	(6225)	2-10 7/16	(875)	2-3 3/16	(691)	28 7/16	(722)
	22-0	22-0 11/32	(6714)	22-0 27/32	(6727)	21-11 27/32	(6702)	3-1 1/8	(943)	2-5 7/8	(759)	31 7/64	(790)
Height													
Unit Type	CN	Masonry Opening		Rough Opening		Frame Size		Panel OM		Daylight Opening		Glass Size	
		ft - in	mm	ft - in	mm	ft - in	mm	ft-in	mm	ft - in	mm	in	mm
All Configurations	6-5	6-7 3/4	(2026)	6-8	(2032)	6-7 1/2	(2019)	6-2 35/64	(1894)	5-7 19/64	(1709)	68 31/64	(1740)
	6-8	6-10 1/4	(2089)	6-10 1/2	(2096)	6-10	(2083)	6-5 3/64	(1957)	5-9 51/64	(1773)	70 63/64	(1803)
	7-0	7-2 1/4	(2191)	7-2 1/2	(2197)	7-2	(2184)	6-9 3/64	(2059)	6-1 51/64	(1874)	74 63/64	(1905)
	8-0	7-11 3/4	(2432)	8-0	(2438)	7-11 1/2	(2426)	7-6 35/64	(2300)	6-11 19/64	(2116)	84 31/64	(2146)

Access Panel - Net Clear Opening



Access Panel - Net Clear Opening - Single Panel

Elevate Bi-Fold Door Net Clear Opening Height			
Height			
All Configurations	Call Number	Net Clear Openings	
		ft - in	mm
	6-5	6-1 45/64	(1872)
	6-8	6-4 13/64	(1935)
	7-0	6-8 13/64	(2037)
8-0	7-5 45/64	(2278)	

Elevate Bi-Fold Door Net Clear Opening Width for Single Panel											
Unit Configuration	Call Number	Net Clear Openings		Net Clear Openings, Single Screen, Outside Jamb		Net Clear Openings, Double Screen, Outside Jamb		Net Clear Openings, Single Screen, Inside Jamb		Net Clear Openings, Double Screen, Inside Jamb	
		ft-in	mm	ft-in	mm	ft-in	mm	ft-in	mm	ft-in	mm
1L, 1R	3-0	2-7 31/64	(800)	2-7 9/32	(795)	NA	NA	2-5 11/16	(754)	NA	NA
	3-4	2-10 5/32	(868)	2-9 15/16	(862)	NA	NA	2-8 11/32	(821)	NA	NA
1L1R	6-0	2-7 51/64	(808)	2-7 51/64	(808)	2-7 51/64	(808)	2-7 51/64	(808)	2-6 7/32	(767)
	6-6	2-10 31/64	(876)	2-10 31/64	(876)	2-10 31/64	(876)	2-10 31/64	(876)	2-7 9/16	(802)
2L, 2R	6-0	NA	NA	NA	NA	NA	NA	NA	NA	NA	NA
	6-6	NA	NA	NA	NA	NA	NA	NA	NA	NA	NA
2L1R, 1L2R	9-0	2-7 5/8	(803)	2-7 5/8	(803)	2-7 29/64	(799)	2-7 5/8	(803)	2-5 53/64	(758)
	9-8	2-10 5/16	(872)	2-10 5/16	(872)	2-10 3/32	(866)	2-10 5/16	(872)	2-6 55/64	(784)
3L, 3R	9-0	2-8 1/16	(815)	2-8 1/16	(815)	2-6 5/32	(766)	2-8 1/16	(815)	2-4 17/32	(725)
	9-8	2-10 3/4	(883)	2-10 3/4	(883)	2-8 25/32	(833)	2-10 3/4	(883)	2-5 9/16	(751)
2L2R	12-0	NA	NA	NA	NA	NA	NA	NA	NA	NA	NA
	12-8	NA	NA	NA	NA	NA	NA	NA	NA	NA	NA
3L1R, 1L3R	12-0	2-7 13/16	(808)	2-7 13/16	(808)	2-7 27/64	(798)	2-7 13/16	(808)	2-5 51/64	(757)
	12-8	2-10 31/64	(876)	2-10 31/64	(876)	2-10 1/32	(864)	2-10 31/64	(876)	2-6 1/2	(775)
4L, 4R	12-0	NA	NA	NA	NA	NA	NA	NA	NA	NA	NA
	12-8	NA	NA	NA	NA	NA	NA	NA	NA	NA	NA
4L1R, 1L4R	15-0	2-7 11/16	(805)	NA	NA	2-7 5/64	(790)	2-7 11/16	(805)	2-5 15/32	(748)
	16-0	2-10 3/8	(873)	NA	NA	2-9 11/16	(856)	NA	NA	2-5 55/64	(758)
5L, 5R	15-0	2-8 1/8	(816)	NA	NA	2-5 25/32	(756)	2-8 1/8	(816)	2-4 5/32	(715)
	16-0	2-10 51/64	(884)	NA	NA	2-8 3/8	(823)	NA	NA	2-4 35/64	(725)
3L3R	17-8	2-8 1/4	(819)	NA	NA	2-8 1/4	(819)	NA	NA	2-8 1/4	(819)
	19-0	2-10 15/16	(887)	NA	NA	2-10 15/16	(887)	NA	NA	2-10 15/16	(887)
5L1R, 1L5R	17-8	2-7 3/4	(807)	NA	NA	2-6 15/16	(786)	NA	NA	2-5 5/16	(745)
	19-0	2-10 7/16	(875)	NA	NA	2-9 17/32	(852)	NA	NA	2-5 25/64	(747)
6L, 6R	17-8	NA	NA	NA	NA	NA	NA	NA	NA	NA	NA
	19-0	NA	NA	NA	NA	NA	NA	NA	NA	NA	NA
6L1R, 1L6R	20-6	2-7 47/64	(806)	NA	NA	2-6 23/32	(780)	NA	NA	2-5 3/32	(739)
	22-0	2-10 27/64	(874)	NA	NA	2-9 9/32	(845)	NA	NA	2-4 27/32	(733)
7L, 7R	20-6	2-8 11/64	(817)	NA	NA	2-5 13/32	(747)	NA	NA	2-3 51/64	(706)
	22-0	2-10 55/64	(885)	NA	NA	2-7 63/64	(812)	NA	NA	2-3 35/64	(700)

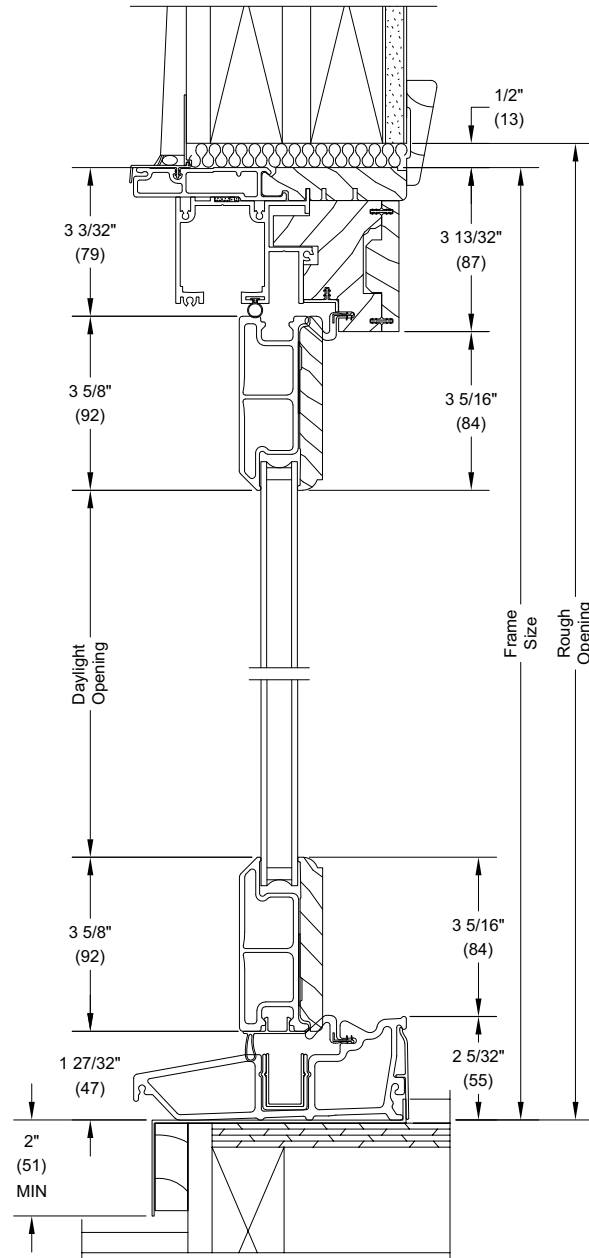
Access Panel - Net Clear Opening - Total

All Configurations	Call Number	Net Clear Openings	
		ft - in	mm
	6-5	6-1 45/64	(1872)
6-8	6-4 13/64	(1935)	
7-0	6-8 13/64	(2037)	
8-0	7-5 45/64	(2278)	

Elevate Bi-Fold Door Total Clear Opening Width									
Unit Configuration	Call Number	Net Clear Openings, Single Screen, Outside Jamb		Net Clear Openings, Double Screen, Outside Jamb		Net Clear Openings, Single Screen, Inside Jamb		Net Clear Openings, Double Screen, Inside Jamb	
		ft-in	mm	ft-in	mm	ft-in	mm	ft-in	mm
1L, 1R	3-0	2-7 9/32	(795)	NA	NA	2-5 11/16	(754)	NA	NA
	3-4	2-9 15/16	(862)	NA	NA	2-8 11/32	(821)	NA	NA
1L1R	6-0	5-4 1/64	(1626)	5-4 45/64	(1644)	5-2 27/64	(1586)	5-1 17/32	(1563)
	6-6	5-9 5/16	(1760)	5-10 5/64	(1780)	5-7 23/32	(1720)	5-4 15/64	(1631)
2L, 2R	6-0	5-4	(1626)	5-2 19/64	(1582)	5-4	(1626)	5-0 11/16	(1541)
	6-6	5-9 3/8	(1762)	5-7 5/8	(1718)	5-9 3/8	(1762)	5-4 15/64	(1631)
2L1R, 1L2R	9-0	8-0 5/64	(2440)	7-11 57/64	(2436)	8-0 5/64	(2440)	7-10 9/32	(2395)
	9-8	8-8 7/64	(2645)	8-7 57/64	(2639)	8-8 7/64	(2645)	8-4 13/32	(2550)
3L, 3R	9-0	7-9 23/64	(2371)	7-7 7/16	(2323)	7-9 23/64	(2371)	7-5 53/64	(2281)
	9-8	8-5 13/32	(2576)	8-3 7/16	(2526)	8-5 13/32	(2576)	8-0 7/32	(2444)
2L2R	12-0	10-8 33/64	(3264)	10-8 33/64	(3264)	10-8 7/16	(3262)	10-8 33/64	(3264)
	12-8	11-7 1/4	(3537)	11-7 1/4	(3537)	11-7 1/64	(3531)	11-4 29/32	(3477)
3L1R, 1L3R	12-0	10-7 7/32	(3231)	10-6 53/64	(3221)	10-7 7/32	(3231)	10-5 13/64	(3180)
	12-8	11-5 15/16	(3504)	11-5 31/64	(3492)	11-5 15/16	(3504)	11-1 61/64	(3403)
4L, 4R	12-0	10-6 33/64	(3213)	10-4 25/64	(3159)	10-6 33/64	(3213)	10-2 49/64	(3118)
	12-8	11-5 15/64	(3486)	11-3 3/64	(3430)	11-5 15/64	(3486)	10-11 33/64	(3341)
4L1R, 1L4R	20-6	NA	NA	18-4 5/32	(5592)	NA	NA	18-2 17/32	(5551)
	22-0	NA	NA	19-10 13/16	(6066)	NA	NA	19-6 3/8	(5953)
5L, 5R	15-0	NA	NA	12-10 9/32	(3919)	13-0 5/8	(3978)	12-8 21/32	(3878)
	16-0	NA	NA	13-11 39/64	(4257)	NA	NA	13-7 25/32	(4160)
3L3R	17-8	NA	NA	15-8 7/32	(4781)	NA	NA	15-8 7/32	(4781)
	19-0	NA	NA	17-0 19/64	(5189)	NA	NA	16-9 15/64	(5111)
5L1R, 1L5R	17-8	NA	NA	15-8 27/32	(4797)	NA	NA	15-7 15/64	(4756)
	19-0	NA	NA	17-0 27/32	(5203)	NA	NA	16-8 45/64	(5098)
6L, 6R	17-8	NA	NA	15-6 13/32	(4735)	NA	NA	15-4 25/32	(4694)
	19-0	NA	NA	16-10 25/64	(5141)	NA	NA	16-6 17/64	(5036)
6L1R, 1L6R	20-6	NA	NA	18-4 5/32	(5592)	NA	NA	18-2 17/32	(5551)
	22-0	NA	NA	19-10 13/16	(6066)	NA	NA	19-6 3/8	(5953)
7L, 7R	20-6	NA	NA	18-0 13/32	(5497)	NA	NA	17-10 51/64	(5456)
	22-0	NA	NA	19-7 1/16	(5971)	NA	NA	19-2 5/8	(5858)

Sill Detail: Performance Sill

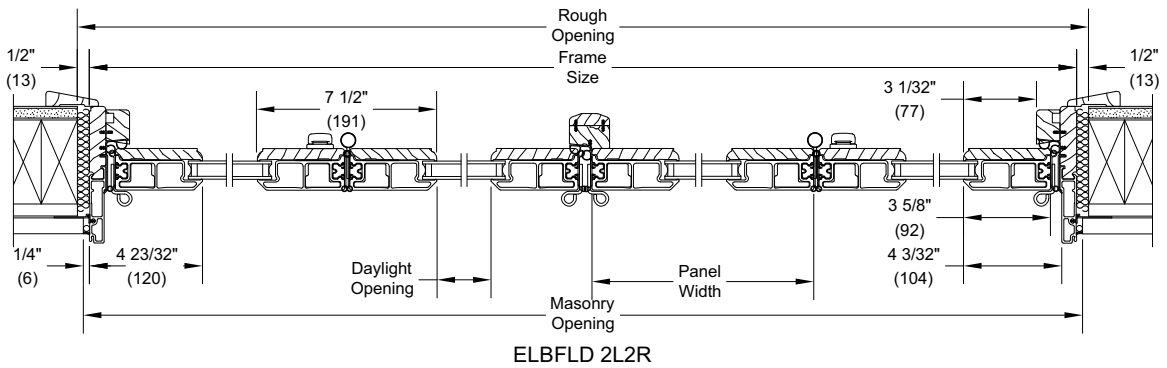
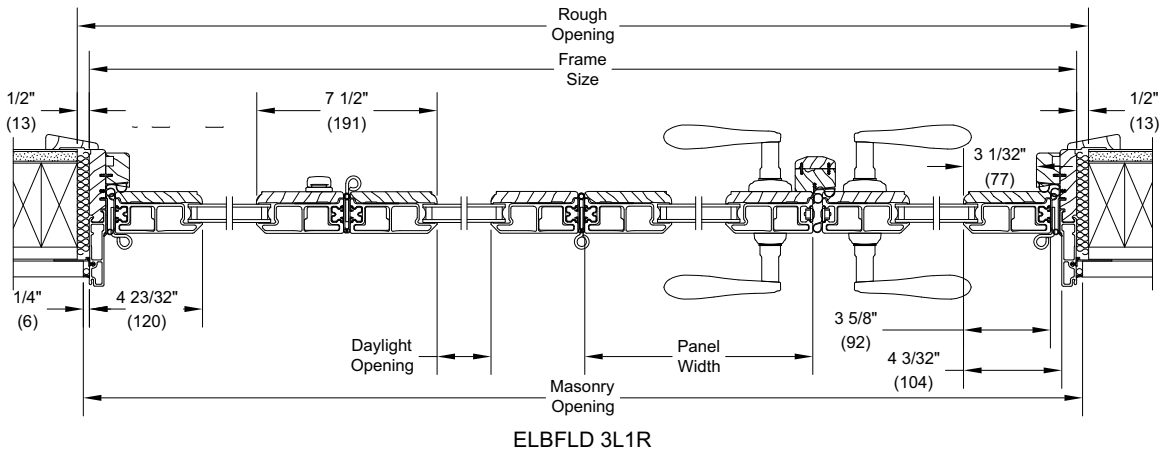
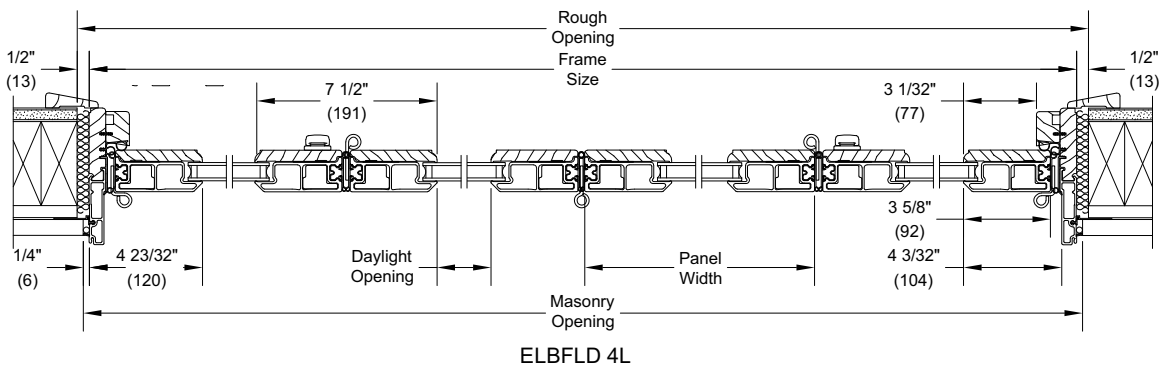
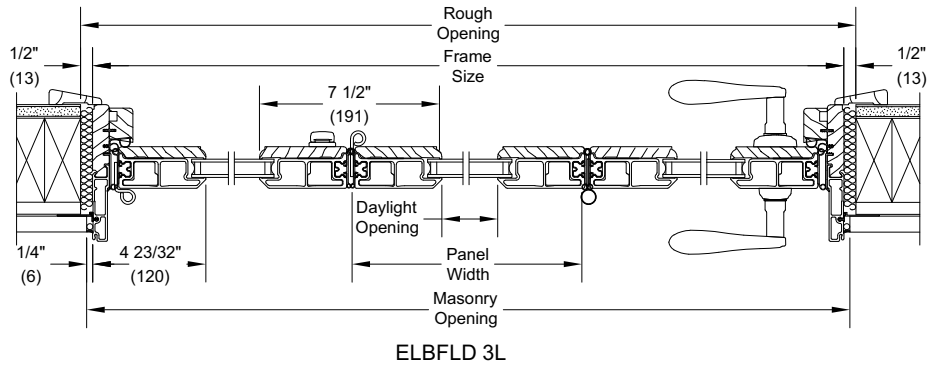
Not to Scale



4 9/16 Head Jamb & Sill

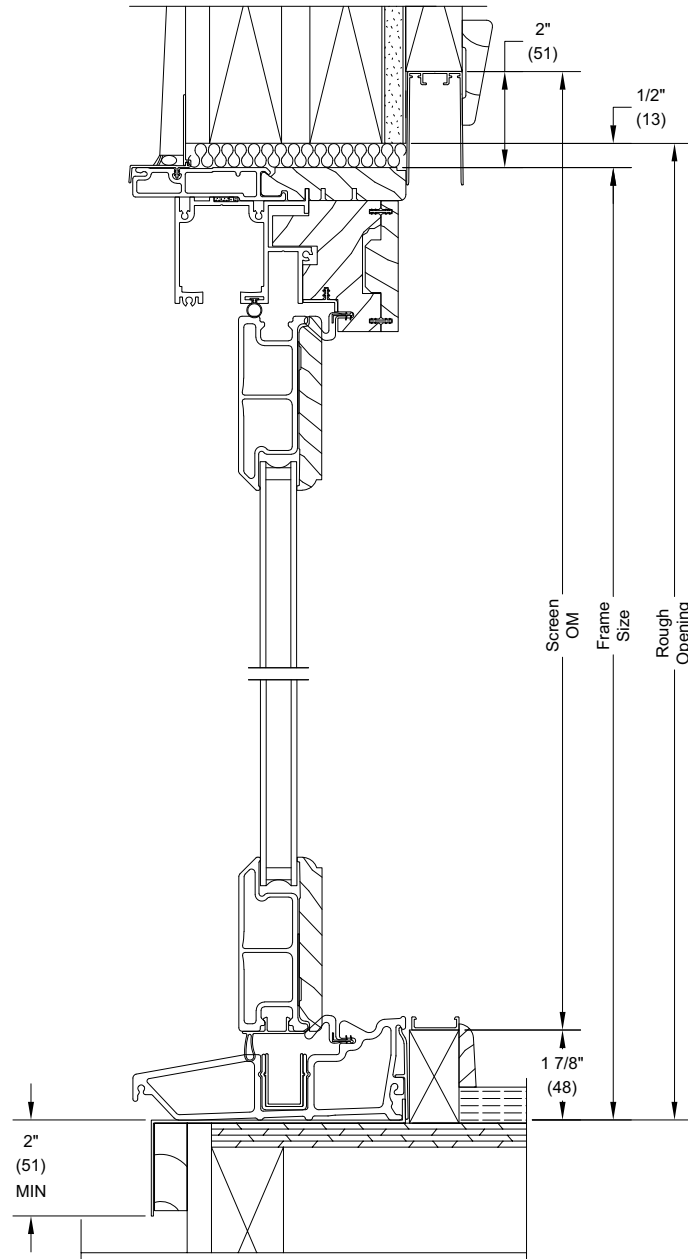
Section Details: Horizontal

Not to Scale



Section Detail: Vertical 4 9/16" Outside Jamb Screen

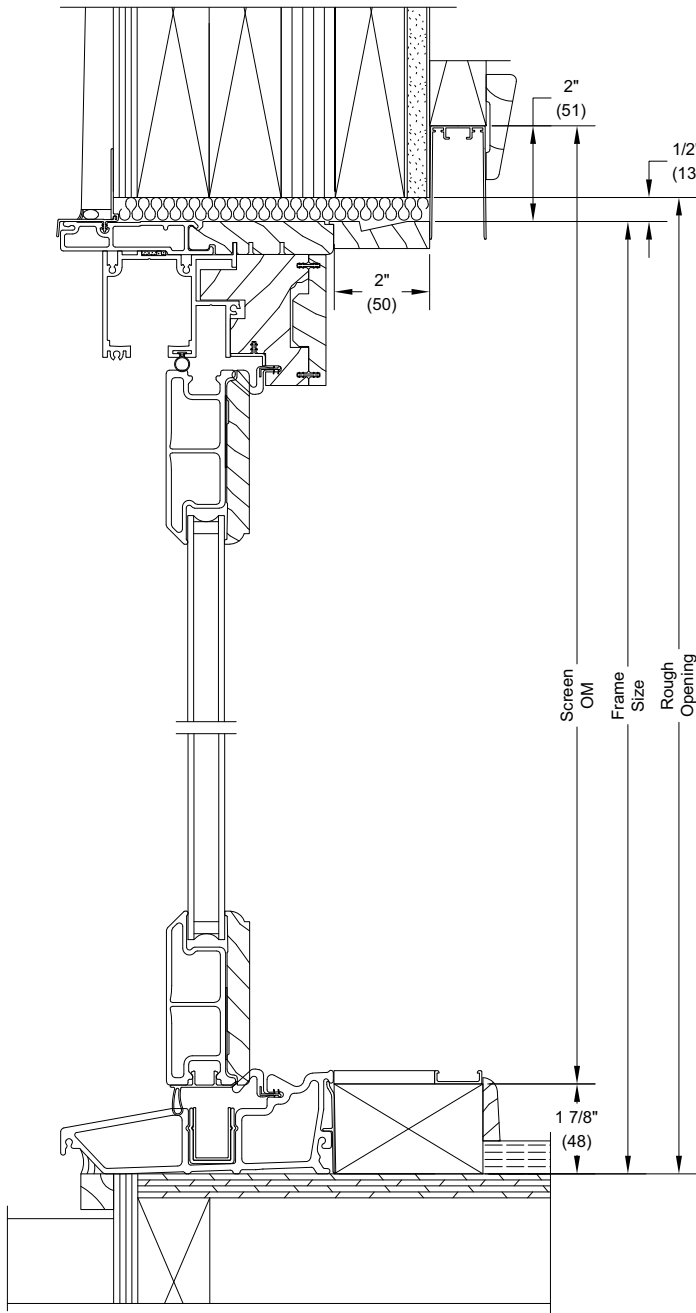
Not to Scale



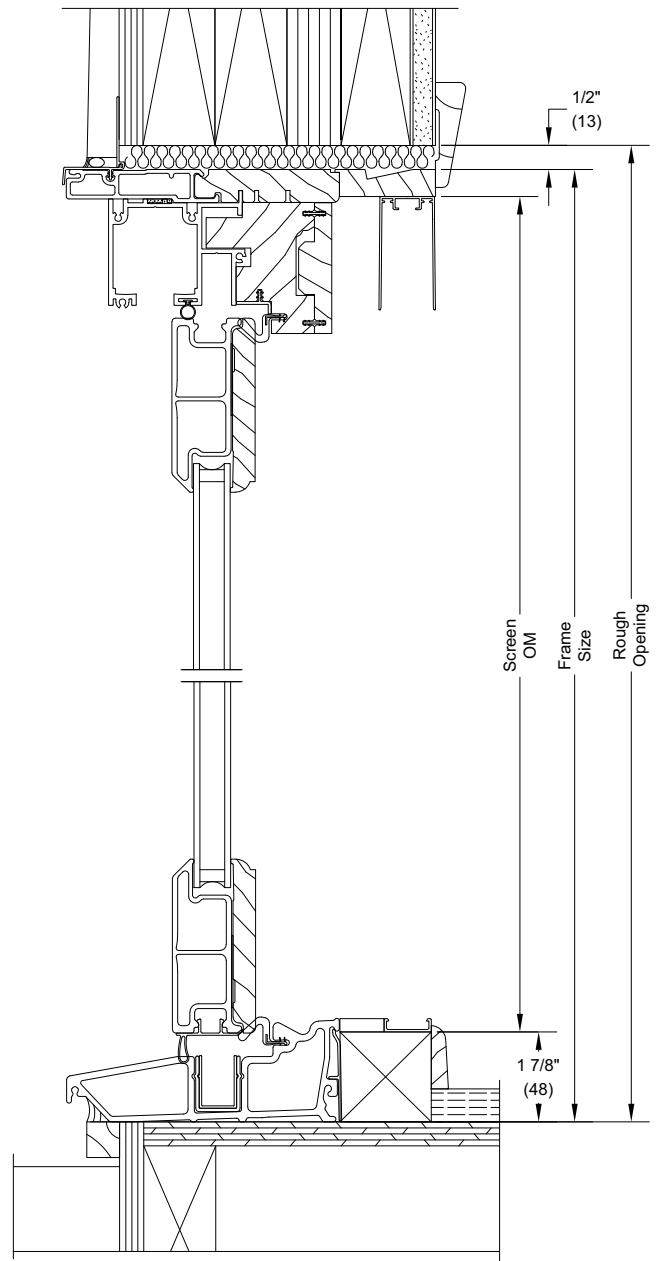
4 9/16 Head Jamb & Sill
Outside Jamb Screen Installation

Section Details: Vertical 6 9/16" with Inside/Outside Jamb Screen

Not to Scale



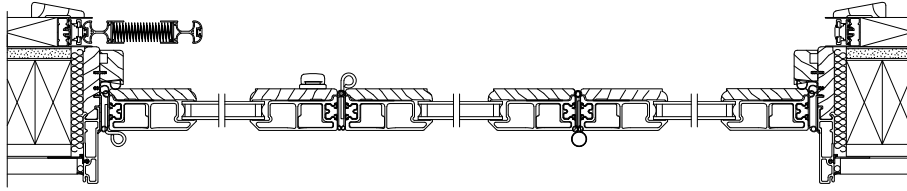
6 9/16 Head Jamb & Sill
Outside Jamb Screen w/ Jamb Extension Installation



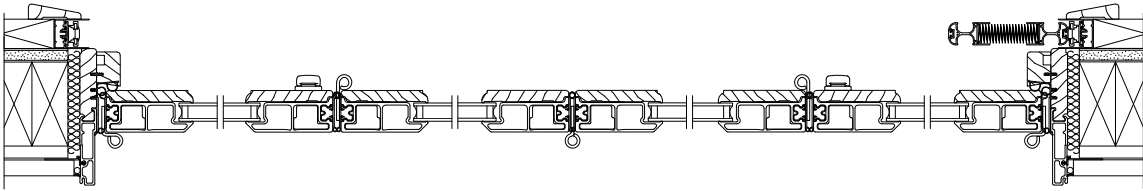
6 9/16 Head Jamb & Sill
Inside Jamb Screen Installation

Section Details: Horizontal with Screen (with Outside Jamb Screen)

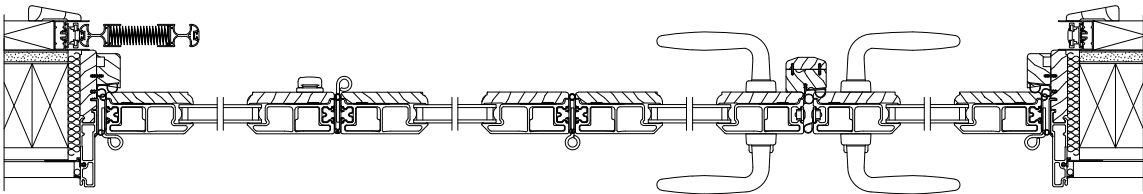
Not to Scale



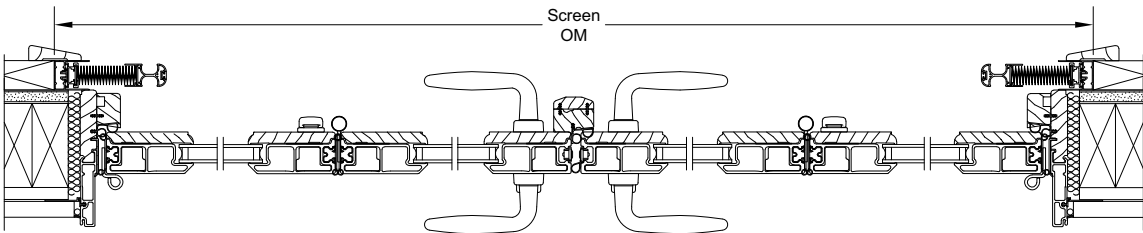
ELBFLD 3L
Single Screen



ELBFLD 4L
Single Screen



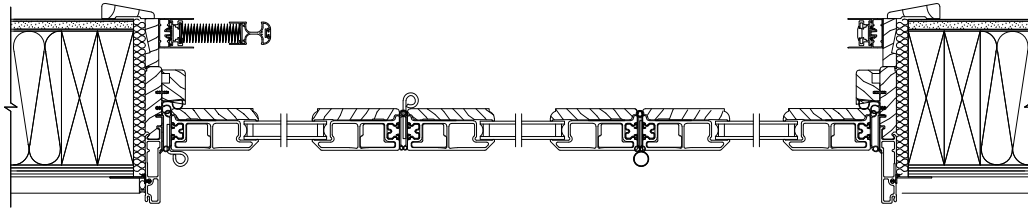
ELBFLD 3L1R
Single Screen



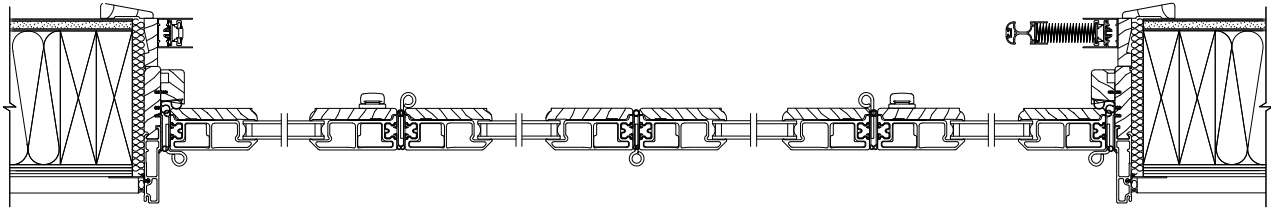
ELBFLD 2L2R
Double Screen

Section Details: Horizontal with Screen (Inside Jamb Screen)

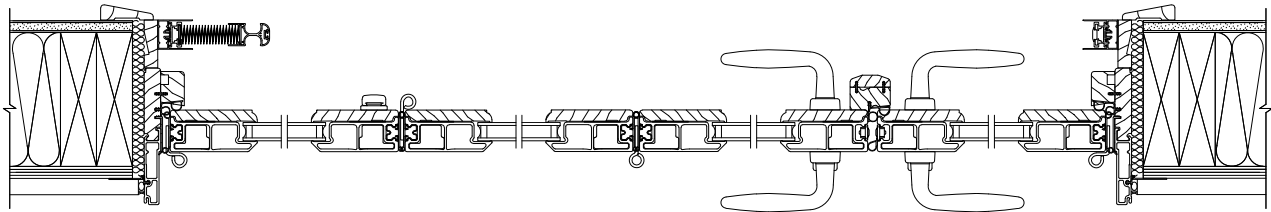
Not to Scale



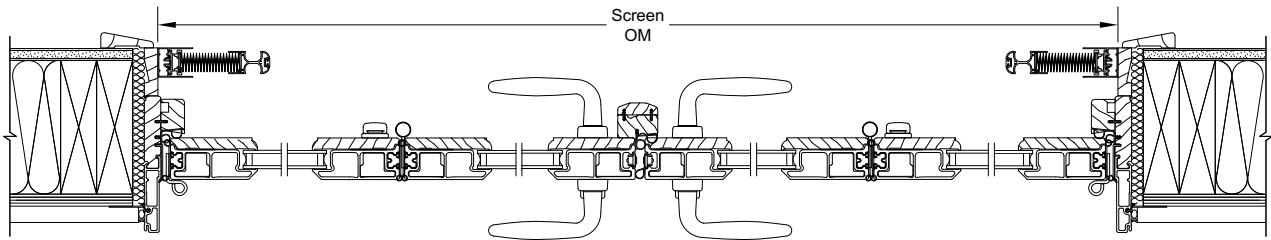
ELBFLD 3L
Single Screen



ELBFLD 4L
Single Screen



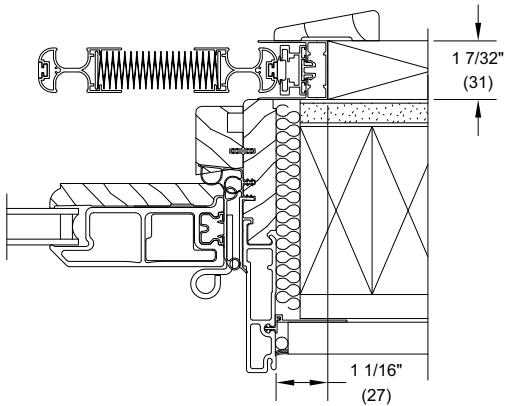
ELBFLD 3L1R
Single Screen



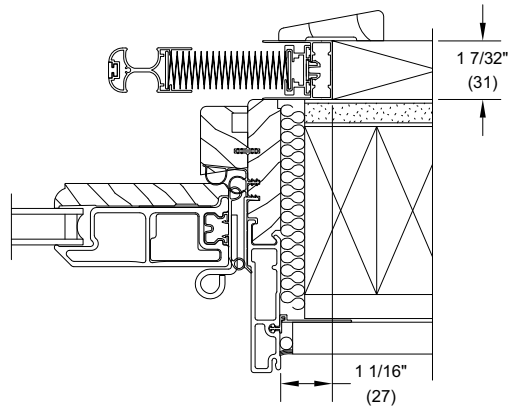
ELBFLD 2L2R
Double Screen

Section Details: Screen Detail

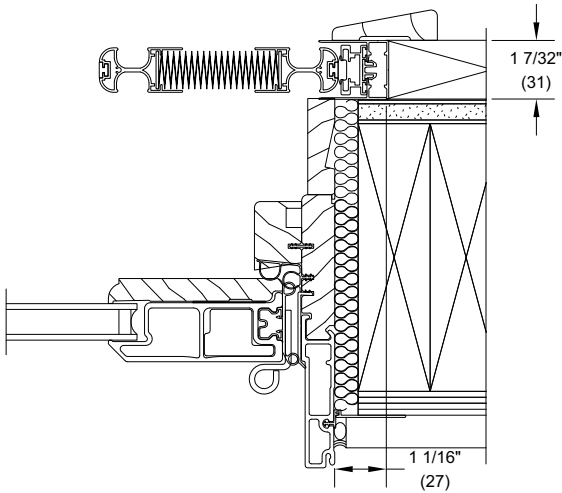
Not to Scale



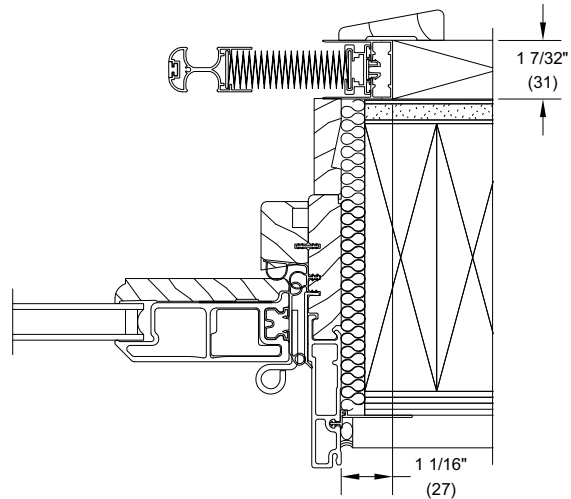
Single Screen
Outside Jamb Installation
4 9/16 Jamb Detail



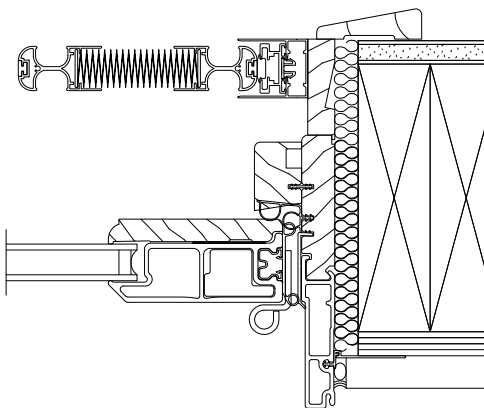
Double Screen
Outside Jamb Installation
4 9/16 Jamb Detail



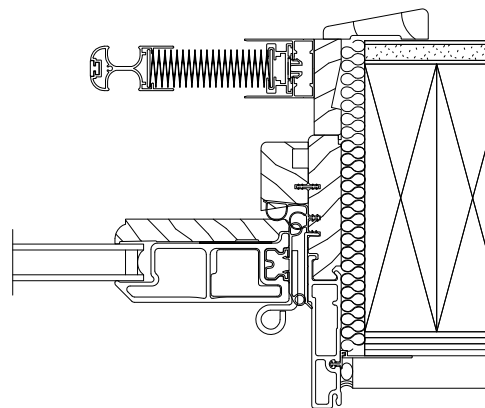
Single Screen
Outside Jamb w/ Jamb Extension Installation
6 9/16 Jamb Detail



Double Screen
Outside Jamb w/ Jamb Extension Installation
6 9/16 Jamb Detail



Single Screen
Inside Jamb Installation
6 9/16 Jamb Detail



Double Screen
Inside Jamb Installation
6 9/16 Jamb Detail