



Round Tops and Polygons

Replacement Parts

Specifications and technical data are subject to change without notice.

Numbers listed in () parentheses are metric equivalents in millimeters rounded to the nearest whole number.

Suggested fasteners are not included and must be ordered separately.

Illustrations are not to scale.

Contents

Product History.....	3
Ultimate Wood Direct Glaze Round Top - SG.....	5
Ultimate Wood Direct Glaze Round Top - IG.....	6
Ultimate Wood Direct Glaze Round Top - IG - ADL Frame.....	7
Ultimate Direct Glaze Round Top - SG.....	8
Ultimate Direct Glaze Round Top - IG.....	9
Ultimate Wood Direct Glaze Polygon - SG with Energy Panel.....	10
Ultimate Wood Direct Glaze Polygon - IG.....	11
Ultimate Direct Glaze Polygon - SG.....	12
Ultimate Direct Glaze Polygon - IG.....	13
Ultimate Direct Glaze Narrow Frame Polygon - IG.....	14
Ultimate Direct Glaze Corner.....	15
Ultimate Direct Glaze Narrow Frame Corner.....	16
Ultimate Wood Double Hung Round Top.....	17
Ultimate Wood Double Hung Picture Round Top.....	18
Ultimate Wood Double Hung Picture Round Top - 1" IG.....	19
Ultimate Wood Double Hung/Magnum Round Top.....	20
Ultimate Wood Double Hung/Magnum Transom Round Top 1" IG.....	21
Ultimate Double Hung Operator Round Top - DISC LA.....	22
Ultimate Double Hung Transom Round Top 1" - DISC LA.....	23
Ultimate Wood Double Hung Magnum Round Top.....	24
Ultimate Wood Double Hung Magnum Picture Round Top.....	25
Ultimate Wood Double Hung Magnum Picture Round Top - 1" IG.....	26
Ultimate Double Hung Magnum Round Top - Disc NA.....	27
Ultimate Double Hung Magnum Round Top - Disc NA.....	28
Ultimate Wood Casemaster Operator Round Top - Disc LA.....	29
Ultimate Wood Casemaster Round Top Stationary - Disc LA.....	30
Ultimate Wood Casemaster Round Top - 1" Picture - Disc LA.....	31
Ultimate Casemaster Operator Round Top - Disc LA.....	32
Ultimate Casemaster Round Top - Stationary Disc LA.....	33
Ultimate Casemaster Picture Round Top 1" Picture - Disc LA.....	34

Contents continued on next page

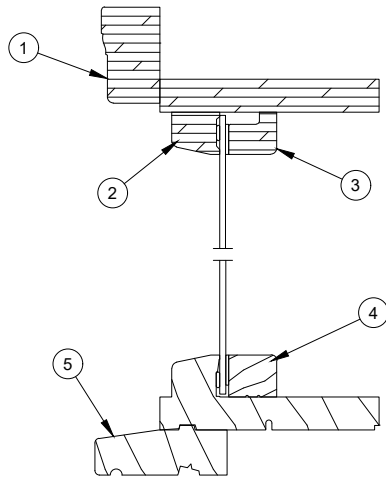
Contents (cont.)

Installation Parts - Ultimate and Narrow Frame DG Corner	35
Miscellaneous Parts - Direct Glaze Polygon	37
Miscellaneous Parts - Double Hung.....	38
Miscellaneous Parts - Limited Availability (LA) - Double Hung	41
Miscellaneous Parts - DISC LA - Casemaster Round Top.....	42
Miscellaneous Parts - DISC LA - French Casemaster Round Top.....	43
Aluminum Parts - DISC LA - Double Hung Magnum Round Top	46
Vinyl Parts.....	47
Vinyl Parts - DISC LA - Double Hung Magnum Round Top.....	48
Wood Parts - Interior Trim - Round Top	49
Wood Parts - Direct Glaze Polygon/Direct Glaze Rectangle/Round Top.....	50
Wood Parts - Double Hung Products.....	54
Wood Parts - Direct Glaze Corner and Direct Glaze Narrow Frame Corner.....	61
Wood Parts - Casemaster Round Top - DISC LA Pre 2010.....	62
Wood Parts - No Longer Available - DISC NA.....	63
Weather Strip - Round Tops	64
Weather Strip - Round Tops - Limited Availability.....	65
Weather Strip - Round Tops - No Longer Available	67
Sash Replacement.....	68
Screens	69

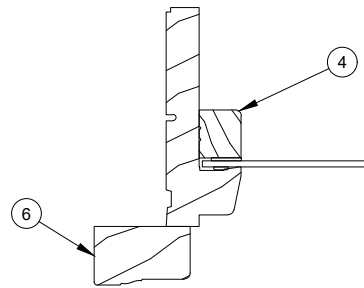
Produced	Unit Type	Features and Changes
1979	Wood Round Top	1979: Arch top windows introduced. They are available as Direct Glaze or In-sash, one lite or divided lite and single glaze or 1/2" insulated. They are also available as Direct Glaze 1" one lite. Grids are an option only for the Direct Glaze.
1982	Wood Round Top	5/1982: Introduced Wood Double Hung Operating In-Sash Round Top.
		12/1982: Introduced Wood Casement Operating In-Sash Round Top.
1984	Wood Tilt-Turn Round Top	1984: Introduced Wood Tilt-Turn Round Top.
1985	Wood Round Top	1985: Interior Casing WP366 (W1366) available.
	Clad Round Top	1985: Introduced Clad Round Top, available in White or Bahama Brown, direct glazed only.
	Round Top	1985: Interior trim to become standard. MM44 (W1144), WP366 (W1366) and flat casing available. Unless otherwise specified unit will be fabricated with MM44.
1988	Round Top	9/1988: Laminated interior casing has replaced finger-jointed interior casing on most round top units. Profiles available are MM44 and WP366.
		10/1988: Three new profiles added to the laminated interior casings which are WM376 (W1376), WM351 (W1351) and WM445 (W1445).
1989	Round Top	1/1989: Plinth blocks introduced.
1993	Round Top	Oak interior casing, available in MM44, WP366, WM376, WM351, WM445, shipped with Oak plinth blocks.
		10/1993: Wood and Clad True Half Circles, Elliptical, Eyebrow above springline and ovals introduced. Expansion of standard size offerings.
1996	Clad Round Top	3/1996: Factory installed clad brick mould casing available on true radius windows.
1997	Round Top and Polygon	1/1997 Simulated divided lites with spacer bar option.
	Clad Round Top	2/1997: Clad brick mould casing introduced for elliptical round tops.
	Round Top and Polygon	5/1997: Direct Glaze Round Tops and Polygons redesigned with new direct glaze cladding profile.
	Clad Round Top	11/1997: Clad radius flat casing introduced to Round Tops shapes 1-10, 15-27, 42-46, 49-50, and 54-57.
1998	Clad Round Top	3/1998: Clad In-Sash Round Top Casemaster stationary introduced for shape numbers 1-10, 15-50 and 54-57 from the shape table with the 605 finish on heavy extruded aluminum in all five colors. One piece sash cladding is interior glazed.
	Wood Tilt-Turn Round Top	Safety device modified due to a design change. Parts are not interchangeable.
	Round Top (Doors)	Consolidation of wood and clad Door Round Top sizes due to the redesign of the transom so that the Round Top can be mulled directly to the door.
1999	Clad Round Top	1/1999: Clad In-Sash operating Round Top Casemaster introduced
	Wood In-Sash Operating Round Top	1/1999: Upgraded hinges to 4" surface mounted, updated Weather Strip to foam filled Q-Ion and added V905 side stops. DP rating upgraded to DP40. Routed butt hinges.
	Clad Round Top	8/1999: The drip cap was removed on the V110 nailing fin.
2000	Clad Ultimate DH/SH, Picture and Transom Round Tops	2/28/2000: Radius frame and sash components. Double Hung top sash operates and tilts. Common parts with Ultimate product where possible.
2001	Wood Ultimate Round Top	2/2001: Introduction of the Wood Ultimate Double Hung Round Top. Available as an operable double hung, single hung as well as a picture unit or transom.
2002	All	3/2002: Stone White exterior becomes a standard color. Arctic White transitions to a select color.
2003	All	3/31/2003: Satin Taupe (TP) hardware replaces bronze as standard.
2004	All	1/2004: Added Oil Rubbed Bronze and Satin Chrome to available hardware finishes.
2006	Wood and Clad Casemaster Round Top	6/2006: W8723 replaces W8462 on Stationary Casemaster Round Tops.
2007	Wood and Clad Ultimate Double Hung Magnum Round Top	3/26/2007: Introduced the Round Top option for the Ultimate Double Hung Magnum.

Produced	Unit Type	Features and Changes
2009	All	7/27/2009: 3" and 4" plinth blocks available in all standard and alternative wood species.
	Casemaster Round Top	7/27/2009: Discontinued Casemaster Round Top.
2011	All	04/25/2011: Added LoE-180 as a standard option for all products. White painted interior finish option introduced for all products.
2012	Casemaster In-Sash Polygon	12/17/2012: Discontinued Casemaster In-Sash Polygon
	All	Clear interior finish option introduced for all products.
2013	All	4/29/2013: Introduced interior stain options. Stain colors are Wheat, Honey, Leather, Hazelnut, Cabernet and Espresso.
	Polygon and Round Top Direct Glaze	6/24/2013: Direct Glaze Standardization added upgrades and improvements to direct glaze products in both wood and clad. Glazing method is silicone and interior tape glaze. Wood bead profile W11751 and W11923 (Radius).
		9/20/2013: Glazing Bead for Single Glaze Wood Direct Glaze Polygon changed to W12092.
2014	Polygon and Round Top Direct Glaze	6/24/2014: Redesign to the exterior to one piece glazing.
2016	Clad Direct Glaze Corner Window	6/27/2016: Introduced the Clad Direct Glaze Corner Window.
	All	10/31/2016: Obsolescence of the wood species Cedro Macho for all products.
2017	Clad Direct Glaze Corner Window and Contemporary Direct Glaze Products	8/28/2017: New Clad Direct Glaze Corner format, also introducing Clad Contemporary Direct Glaze Rectangle and Polygon and Clad Contemporary Direct Glaze corner window.
	Wood and Clad Casemaster Round Top	8/28/2017: Discontinued Clad and Wood Frames will no longer warehouse parts. Energy panels are also discontinued for this product line.
	Wood and Clad Direct Glaze Polygons and Rectangles	10/30/2017: 2 13/32" SDL bars are added as an option.
	Ultimate French Casement Round Top	12/1/2017: Discontinued Siegenia hardware (shootbolt), replaced with Hoppe.
2018	Clad Ultimate Double Hung Magnum Round Top products	6/25/2018: Clad Ultimate Double Hung Magnum products including Clad Ultimate Double Hung Magnum Picture Round and Clad Ultimate Double Hung Magnum Transom Round Top moved to discontinued status.
2020	All	8/31/2020: All Plinth Blocks were moved to Disc - No Longer Available (NA).
2022	Ultimate Direct Glaze Polygon/Round Tops and Rectangles	6/27/2022: The Ultimate Direct Glaze Polygon/Rectangular 4/4 frame option and Ultimate Direct Glaze Door Transom 4/4 frame option have been slated for discontinuation status DISC NA (No longer available). See Product Bulletin 828 for more information. Ultimate Double Hung Magnum Full Units and Frames moved to DISC NA status. See Product Bulletin 827 for more information. The Aluminum Screen will be the standard for units with a frame size height of $\leq 54 \frac{1}{2}$ ", with an option of the Extruded Aluminum Screen available. The standard screen for any unit with a frame size height $> 54 \frac{1}{2}$ " will be the Extruded Aluminum Screen. This improvement to screen frames includes all Ultimate and Ultimate Wood windows that accept an aluminum screen, including Round Top and Polygon shapes. See Product Bulletin 832 for more details.
2023	Ultimate Direct Glaze Polygon/Round Tops and Rectangles Clad Direct Glaze Corner	06/26/2023: Updated glazing bead profiles for Direct Glaze Polygons, Round Tops and Rectangles. See Product Bulletin #887 and #891 for more information. 09/30/2023: Classic Casemaster Interior Covers moved to Discontinued - No Longer Available status (DISC-NA), See Product Bulletin 902 for more information.
	Ultimate Direct Glaze Polygon/Round Tops and Rectangles	10/30/2023: An ERS coating became available as a standard option for current Triple Pane offerings. See Product Bulletin 904 for more details.
2024	Ultimate Direct Glaze Polygon/Round Tops and Rectangles	2/26/2024: Glazing bead joinery was changed to a butt cut, effective with orders starting October 16, 2023. Frame joinery will change from a pure miter to a step miter. See Product Bulletin 905 and 914 for more details. 04/29/2024: Introduced square exterior glazing profile option for Ultimate Direct Glaze Polygons and Rectangles (excludes Round Top/Radius products). See Product Bulletin 929 for more information. 06/24/2024: Update for Ultimate Combinations and Ultimate Wood Combinations and Energy Panels were made. See Product Bulletin #937 for more information. 10/28/2024: Direct Glaze Transoms will now be referred to as Direct Glaze Rectangles. See Product Bulletin 950 for more information.

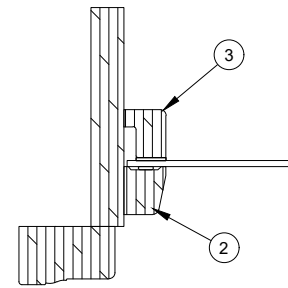
Ultimate Wood Direct Glaze Round Top (Single Glaze)



Head Jamb & Sill Detail
With or Without Spring Line



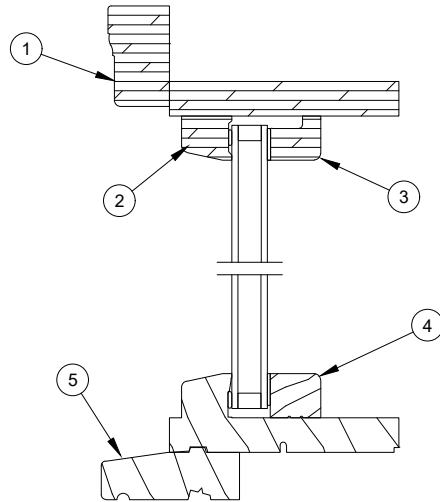
Non-Continuous
Spring Line
Eyebrow With Spring Line



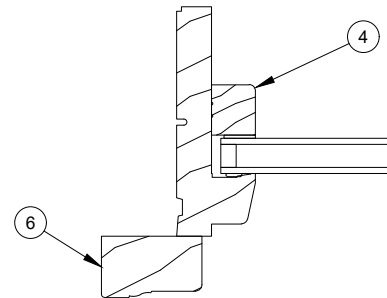
Continuous Spring Line
True Half Circle
With Or Without Spring Line

1. Radiused Head Jamb Brick Mould Casing, W1047
2. Exterior Glazing Bead, W11989
3. Radiused Head Glazing Bead, W14337
4. Glazing Bead, W14258
5. Subsill, W10333
6. Jamb Brick Mould Casing, W1047

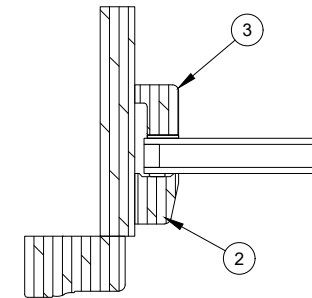
Ultimate Wood Direct Glaze Round Top (Insulating Glass)



Head Jamb & Sill Detail
With or Without Spring Line



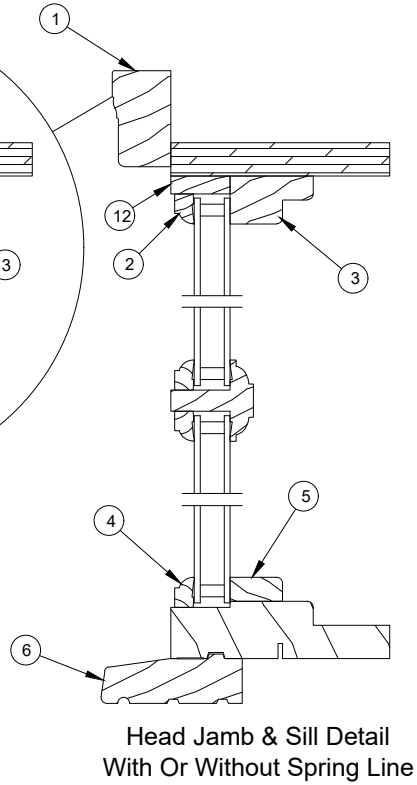
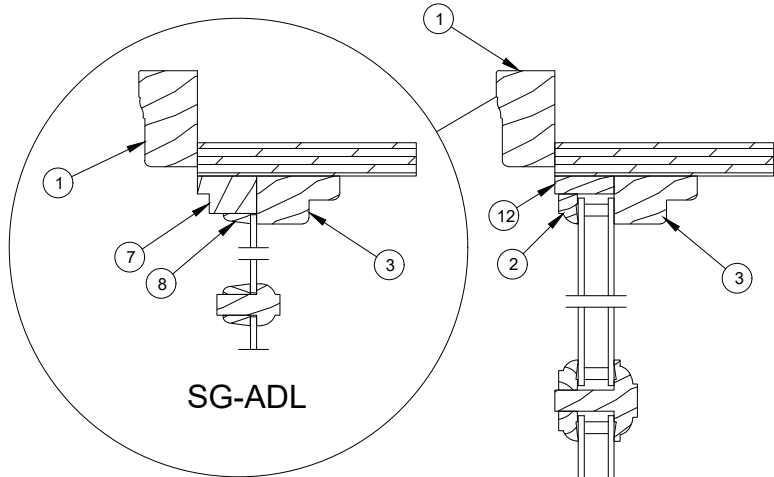
Non-Continuous
Spring Line
Eyebrow With Spring Line



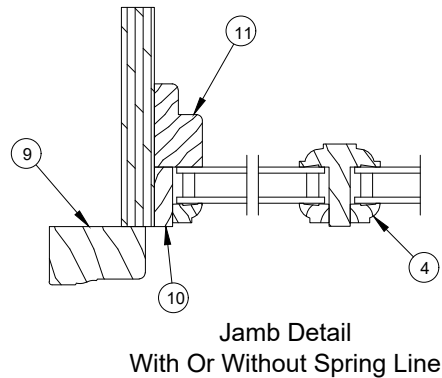
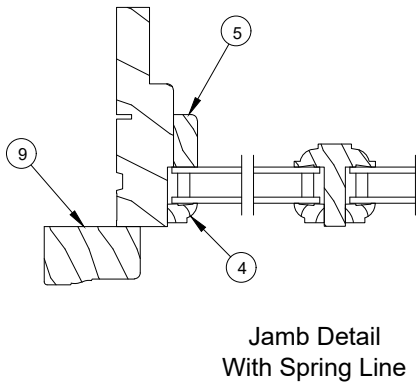
Continuous Spring Line
True Half Circle
With Or Without Spring Line

1. Radiused Head Jamb Brick Mould Casing, W1047
2. Radiused Glazing Bead, W14337
3. Exterior Glazing Bead, W11989
4. Glazing Bead, W14258
5. Subsill, W10333
6. Jamb Brick Mould Casing, W1047

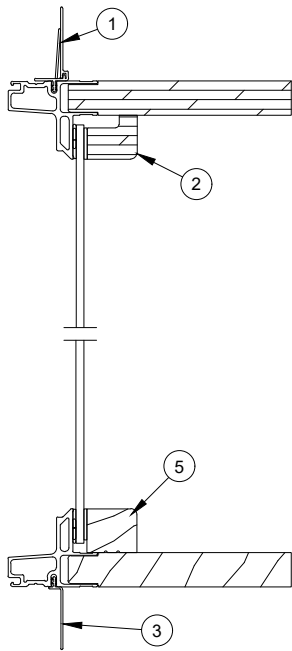
Ultimate Wood Direct Glaze Round Top (Insulating Glass in ADL Frame)



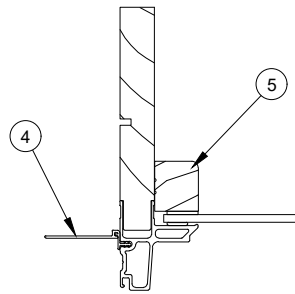
1. Radiused Head Jamb Brick Mould Casing, W1047
2. Radiused Glazing Bead, W4009
3. Radiused Frame Stock
4. Glazing Bead, W4009
5. Bullnose Stop, W7013
6. Subsill W2197
7. SG ADL Radiused Filler
8. SG, ADL Radiused Glazing Bead, W4074
9. Jamb Brick Mould Casing, W1047
10. 3/8" Filler
11. Frame Stock
12. Radiused 3/8" Filler



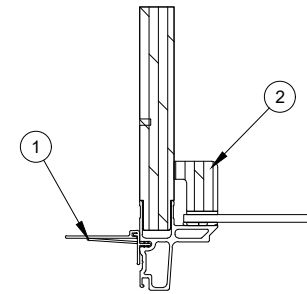
Ultimate Direct Glaze Round Top (Single Glaze)



Head Jamb And Sill Detail
With Or Without Spring Line



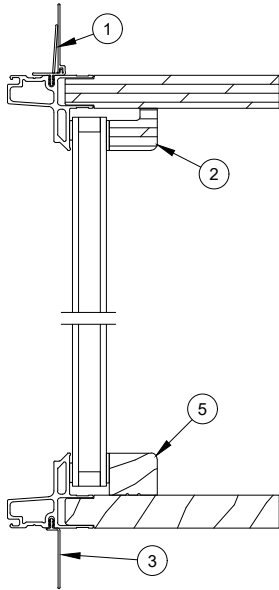
Non-Continuous
Spring Line
Eyebrow With Spring Line



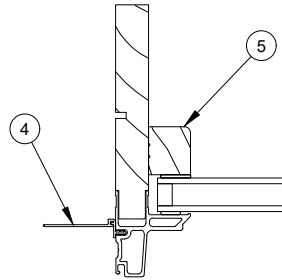
Continuous Spring Line
True Half Circle
With Or Without Spring Line

1. Radiused Nailing Fin, V110
2. Radiused Glazing Bead, W14337
3. Sill Nailng Fin, V084
4. Jamb Nailng Fin, V104
5. Glazing Bead, W14258

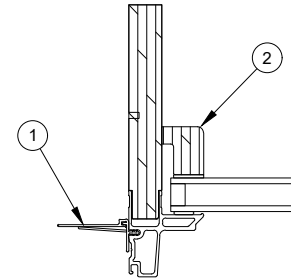
Ultimate Direct Glaze Round Top (Insulating Glass)



Head Jamb And Sill Detail
With Or Without Spring Line



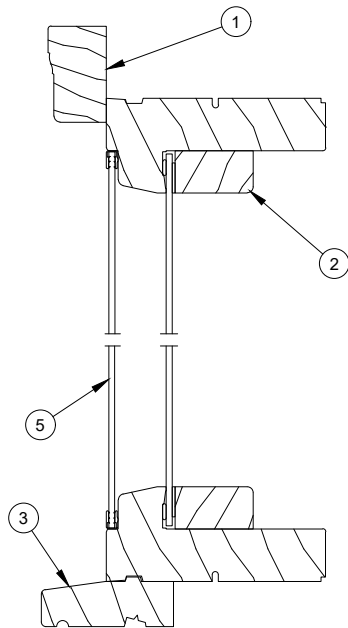
Non-Continuous
Spring Line
Eyebrow With Spring Line



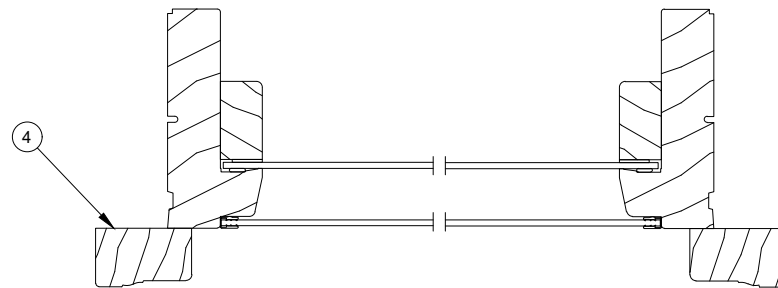
Continuous Spring Line
True Half Circle
With Or Without Spring Line

1. Radiused Nailing Fin, V110
2. Radiused Glazing Bead, W14337
3. Sill Nailng Fin, V084
4. Jamb Nailng Fin, V104
5. Glazing Bead, W14258

Ultimate Direct Glaze Polygon (Single Glaze with Energy Panel)



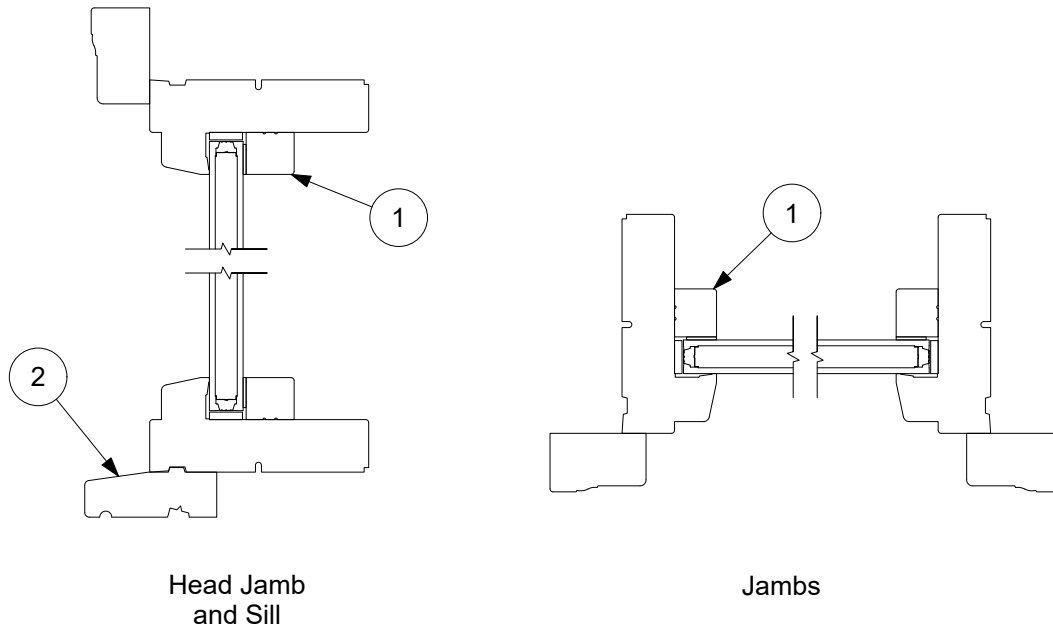
Head Jamb and Sill Detail



Jamb Detail

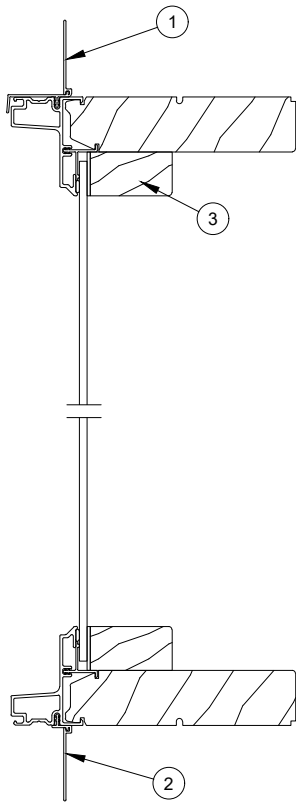
1. Head Jamb Brick Mould Casing, W1047
2. Glazing Bead, W14261
3. Subsill, W10333
4. Jamb Brick Mould Casing, W1047
5. Energy Panel

Ultimate Wood Direct Glaze Polygon (Insulating Glass)

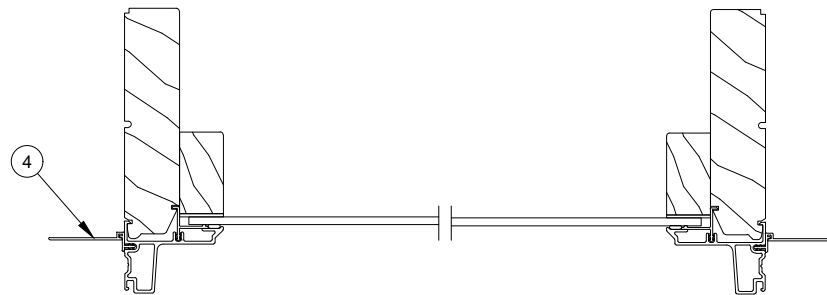


- 1. Glazing Bead, W14258
- 2. Subsill, W10333

Ultimate Direct Glaze Polygon (Single Glaze)



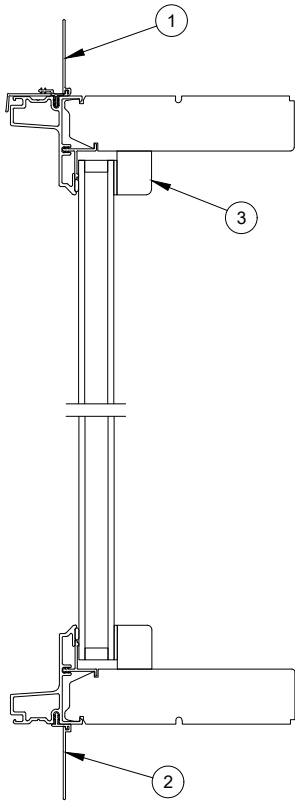
Head Jamb And Sill Detail



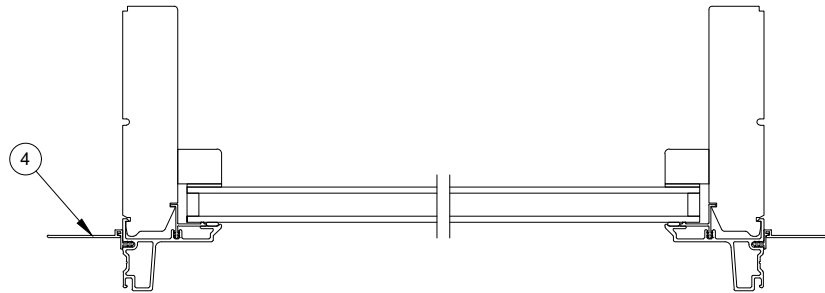
Jamb Detail

1. Head Jamb Nailing Fin/Drip Cap, V119
2. Sill Nailing Fin, V084
3. Glazing Bead, W14261
4. Jamb Nailing Fin, V104

Ultimate Direct Glaze Polygon (Insulating Glass)



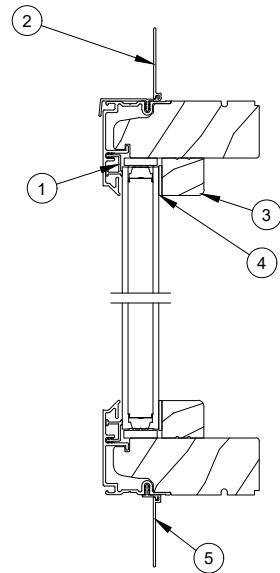
Head Jamb And Sill Detail



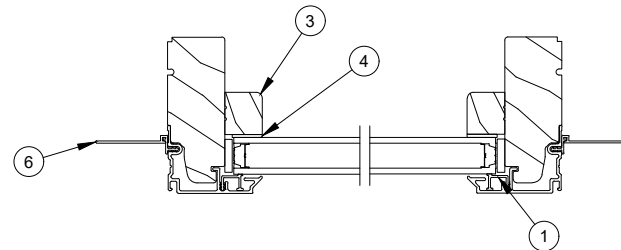
Jamb Detail

1. Head Jamb Nailing Fin/Drip Cap, V119
2. Sill Nailing Fin, V084
3. Glazing Bead, W14258
4. Jamb Nailing Fin, V104

Ultimate Direct Glaze Narrow Frame Polygon (Insulating Glass)



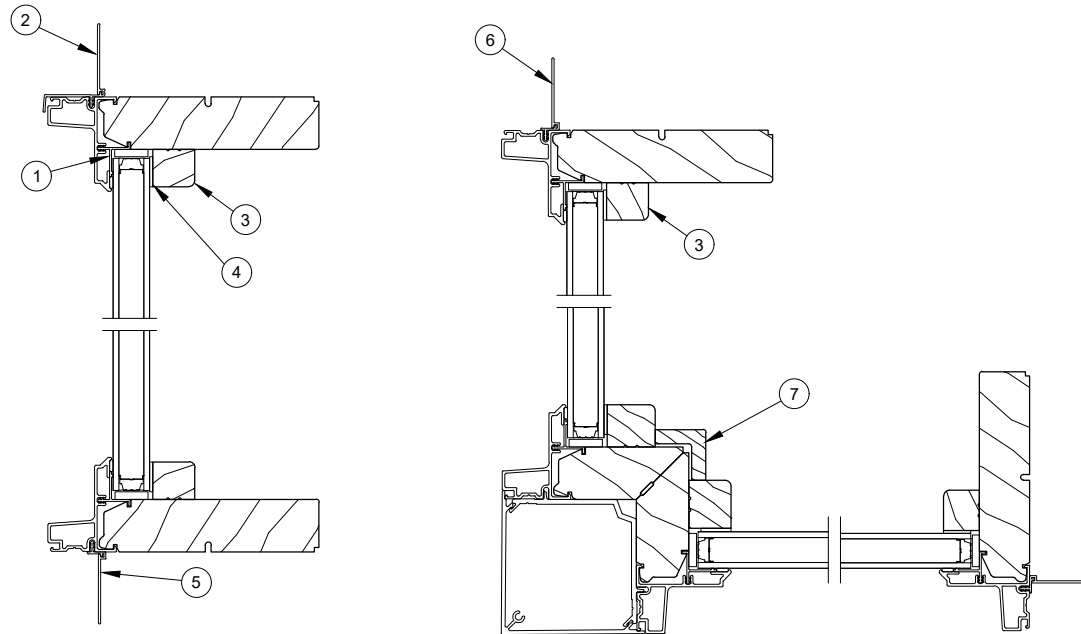
Head Jamb And Sill Detail



Jamb Detail

1. Vinyl Glazing Bead
2. Head Jamb Nailing Fin/Drip Cap, V119
3. Interior Glazing Bead, W14259
4. Glazing Tape
5. Sill Nailing Fin, V084
6. Jamb Nailing Fin, V104

Ultimate Direct Glaze Corner

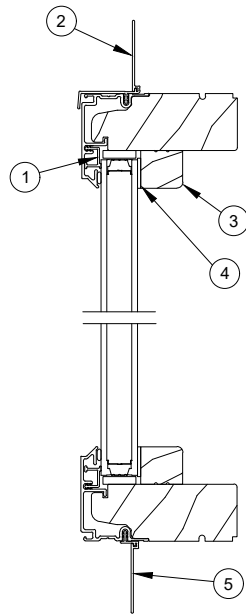


Head Jamb And Sill Detail

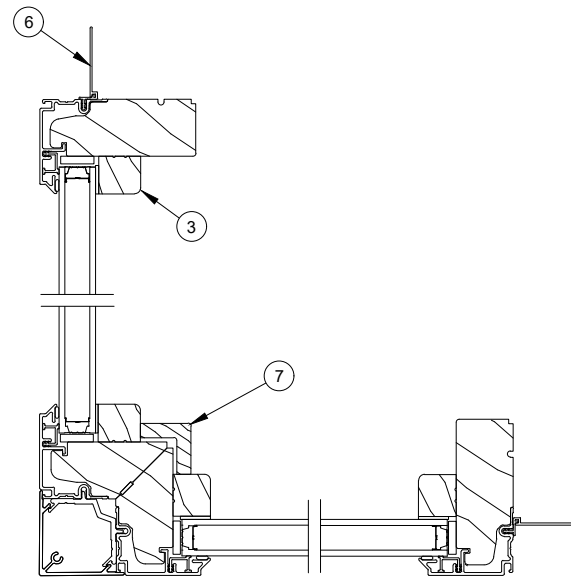
Jamb Detail

1. Attachment Barb, V2225
2. Head Jamb Nailing Fin/Drip Cap, V119
3. Interior Glazing Bead, W14258
4. Glazing Tape
5. Sill Nailing Fin, V084
6. Jamb Nailing Fin, V104
7. Interior Corner Cover, W12970

Ultimate Direct Glaze Narrow Frame Corner



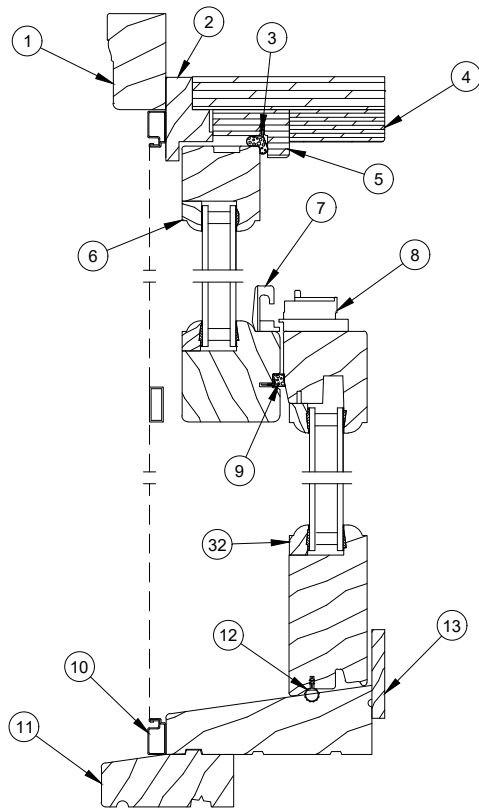
Head Jamb And Sill



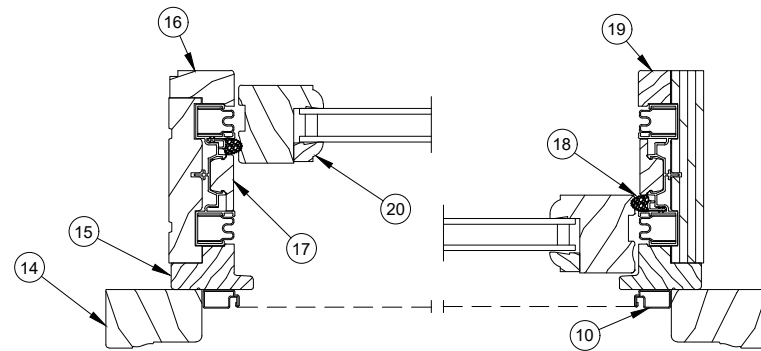
Jambs

1. Vinyl Glazing Bead
2. Head Jamb Nailing Fin/Drip Cap, V119
3. Interior Glazing Bead, W14259
4. Glazing Tape
5. Sill Nailing Fin, V084
6. Jamb Nailing Fin, V104
7. Interior Corner Cover, W12970

Ultimate Wood Double Hung Round Top



Head Jamb And Sill Detail
With or Without Spring Line



Eyebrow
With Spring Line

Jamb Detail

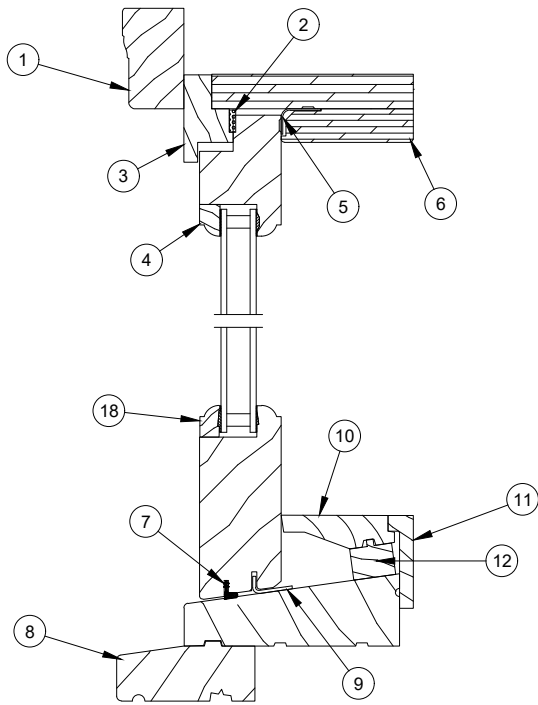
True Half Circle
With or Without Spring Line

1. Radiused Head Jamb Brick Mould Casing, W1047
2. Radiused Blind Stop, W2203
3. Parting Stop Weather Strip, V025
4. Radiused Head Jamb Liner/Filler, W8006
5. Radiused Head Jamb Parting Stop, W2101
6. Radiused Glazing Bead, W4009
7. Keeper

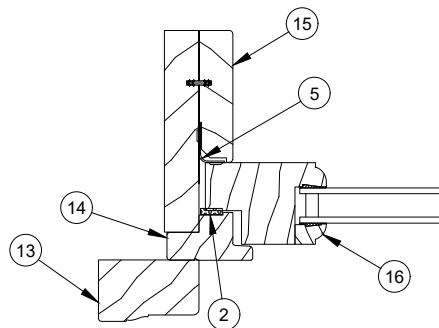
8. Lock
9. Top Check Rail Weather Strip, V031
10. Screen
11. Subsill, W2134
12. Bottom Rail Weather Strip, V147
13. Sill Liner, W2146
14. Jamb Brick Mould Casing, W1047

15. Jamb Blind Stop, W2123
16. Interior Jamb Liner, W2127
17. Wood Jamb Filler, W2018
18. Frame Weather Strip, V03291
19. Continuous Spring Line Jamb Liner, W2189
20. Glazing Bead, W4009

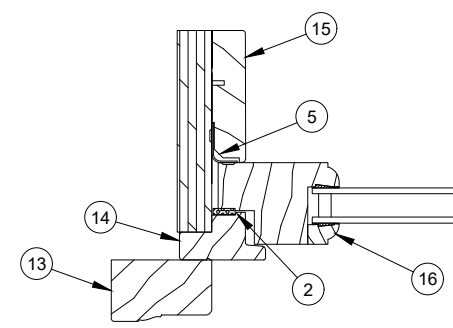
Ultimate Wood Double Hung Picture Round Top



Head Jamb And Sill Detail



Jamb Detail
Eyebrow
With Spring Line

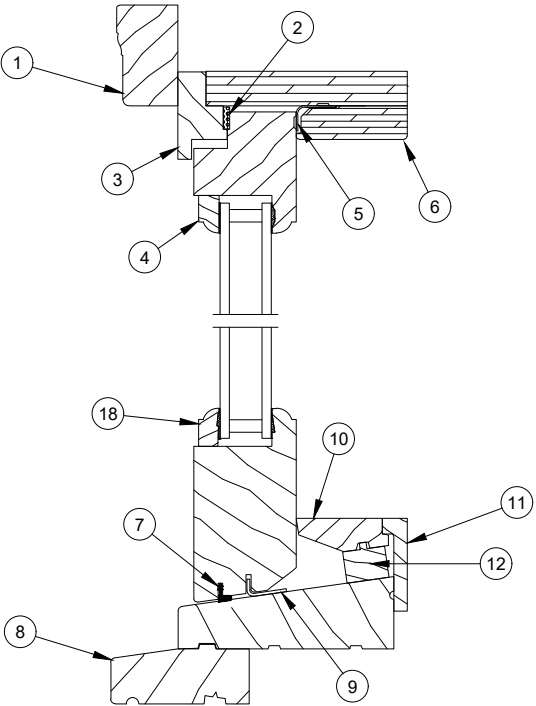


Jamb Detail
True Half Circle
With Or Without Spring Line

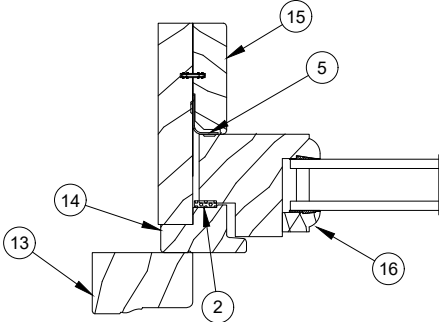
1. Radiused Head Jamb Brick Mould Casing, W1047
2. Foam Frame Weather Strip
3. Radiused Blind Stop, W2203
4. Radiused Glazing Bead, W4009
5. Stationary Sash Bracket
6. Radiused Filler/Liner, W2206
7. Bottom Rail Weather Strip, V031
8. Subsill, W2134

9. Bottom Rail Sash Bracket
10. Sill Filler, W9699
11. Sill Liner, W2179
12. Sill Filler Riser, W9703
13. Jamb Brick Mould Casing, W1047
14. Jamb Blind Stop, W2123
15. Stationary Interior Filler/Liner, W2191
16. Glazing Bead, W4009

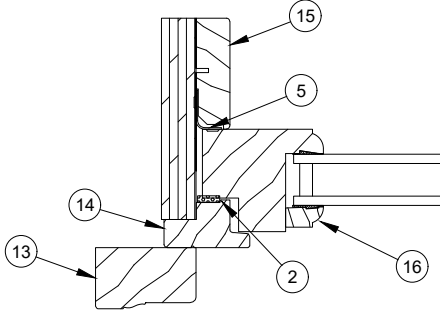
Ultimate Wood Double Hung Picture Round Top 1 Inch IG



Head Jamb And Sill Detail



Jamb Detail
Eyebrow
With Spring Line



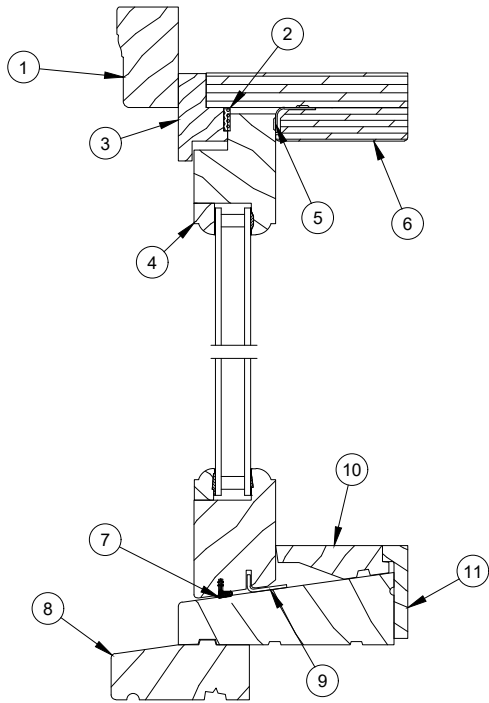
Jamb Detail
True Half Circle
With Or Without Spring Line

- 1. Radiused Head Jamb Brick Mould Casing, W1047
- 2. Foam Frame Weather Strip
- 3. Radiused Blind Stop, W2203
- 4. Radiused Glazing Bead, W8010
- 5. Stationary Sash Bracket
- 6. Radiused Filler/Liner, W2206
- 7. Bottom Rail Weather Strip, V031
- 8. Subsill, W2134

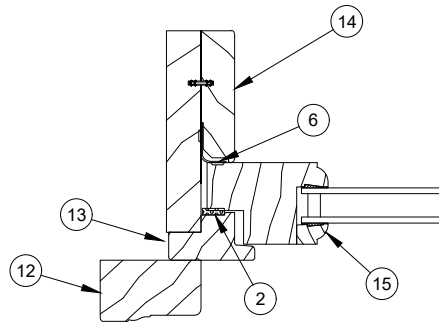
- 9. Bottom Rail Sash Bracket
- 10. Sill Filler, W9700
- 11. Sill Liner, W2179
- 12. Sill Filler Riser, W9703
- 13. Jamb Brick Mould Casing, W1047
- 14. Jamb Blind Stop, W2203
- 15. Stationary Interior Filler/Liner, W2206
- 16. Glazing Bead, W4005

Ultimate Wood Double Hung Transom Round Top

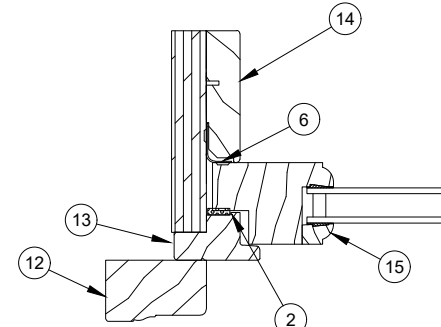
Ultimate Wood Double Hung Magnum Transom Round Top



Head Jamb And Sill Detail



Jamb Detail
Eyebrow with Non-Continuous Spring Line



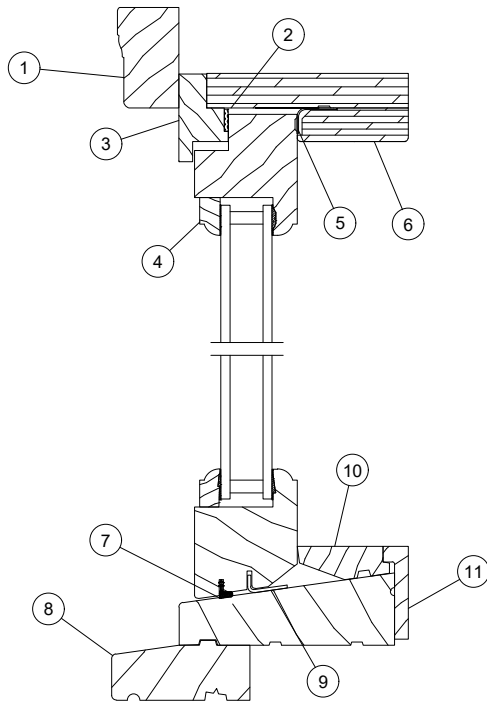
Jamb Detail
True Half Circle with Non-Continuous Spring Line

1. Radiused Head Jamb Brick Mould Casing, W1047
2. Foam Frame Weather Strip
3. Radiused Blind Stop, W2203
4. Radiused Glazing Bead, W4009
5. Stationary Sash Bracket
6. Radiused Filler/Liner, W2206
7. Bottom Rail Weather Strip, V031
8. Subsill, W2134

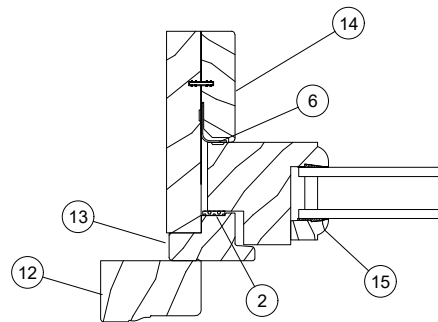
9. Bottom Rail Sash Bracket
10. Sash Filler, W9699
11. Sill Liner, W2179
12. Jamb Brick Mould Casing, W1047
13. Jamb Blind Stop, W2123
14. Stationary Interior Filler/Liner, W2191
15. Glazing Bead, W4009

Ultimate Wood Double Hung Transom Round Top 1 Inch IG

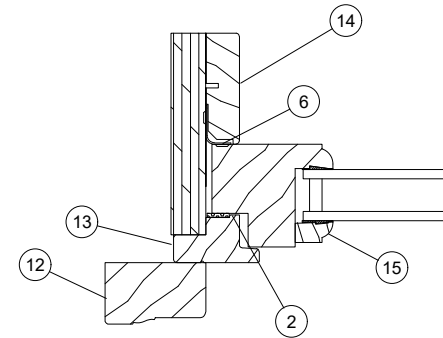
Ultimate Wood Double Hung Magnum Transom Round Top 1 Inch IG



Head Jamb And Sill Detail



Jamb Detail
Eyebrow with Non-Continuous Spring Line

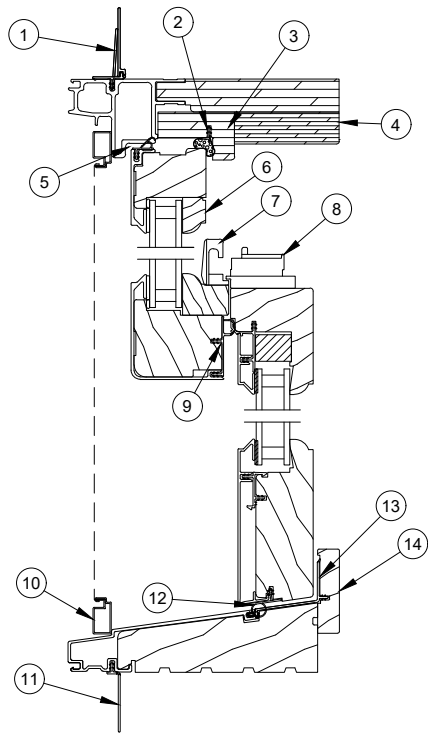


Jamb Detail
True Half Circle with Non-Continuous Spring Line

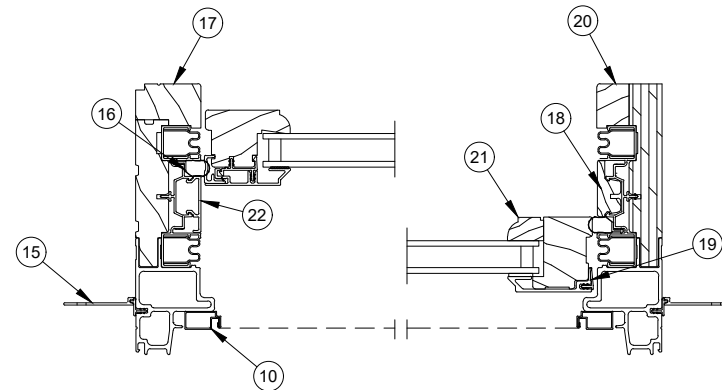
1. Radiused Head Jamb Brick Mould Casing, W1047
2. Foam Frame Weather Strip
3. Radiused Blind Stop, W2203
4. Radiused Glazing Bead, W4009
5. Stationary Sash Bracket
6. Radiused Filler/Liner, W2206
7. Bottom Rail Weather Strip, V031
8. Subsill, W2134

9. Bottom Rail Sash Bracket
10. Sash Filler, W9700
11. Sill Liner, W2179
12. Jamb Brick Mould Casing, W1047
13. Jamb Blind Stop, W2203
14. Stationary Interior Filler/Liner, W2206
15. Glazing Bead, W4009

Ultimate Double Hung Round Top Operator DISC LA PRE 6/29/15



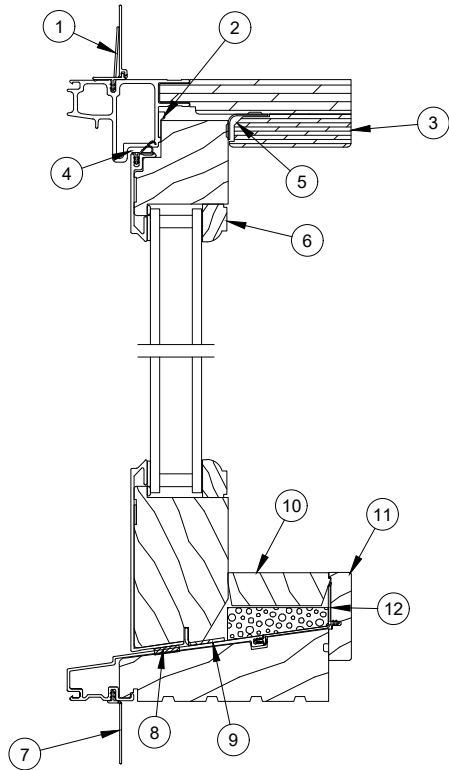
Head Jamb and Sill Detail



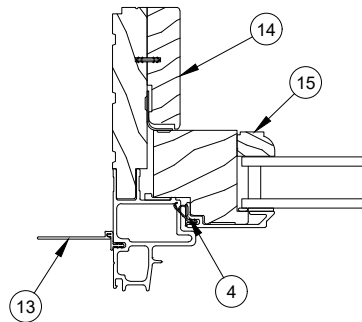
Jamb Detail

- | | | |
|---|---------------------------------------|--|
| 1. Radiused Nailing Fin, V110 | 9. Top Check Rail Weather Strip, V920 | 17. Wood Jamb Liner, W2018 |
| 2. Head Jamb Parting Stop Weather Strip, V025 | 10. Sill Cover, V931 | 18. Interior Jamb Liner, W2533 |
| 3. Radiused Head Jamb Parting Stop, W2101 | 11. Sill Nailing Fin, V084 | 19. Sash trim, V004 |
| 4. Radiused Head Jamb Liner/Filler, W2106 | 12. Bottom Rail Weather Strip, V937 | 20. Continuous Spring Line Jamb Liner, W2105 |
| 5. Top Rail Weather Strip, V195 | 13. Sill cover, V931 | 21. Glazing Bead, W7680 |
| 6. Radiused Glazing Bead, W7680 | 14. Sill Liner, W2531 | 22. Clad Jamb Filler, A197 |
| 7. Keeper | 15. Jamb Nailing Fin, V104 | |
| 8. Lock | 16. Frame Weather Strip, V2838 | |

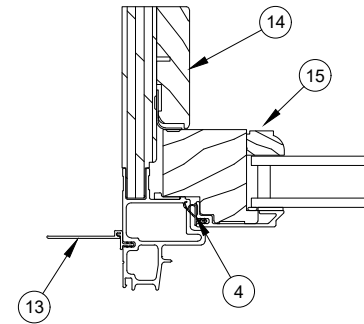
Ultimate Double Hung Transom Round Top 1 Inch IG DISC LA PRE 6/29/15
Ultimate Double Hung Picture Round Top 1 Inch IG DISC LA PRE 6/29/15



**Picture
Head Jamb And Sill Detail**



**Jamb Detail
Eyebrow
With Spring Line**



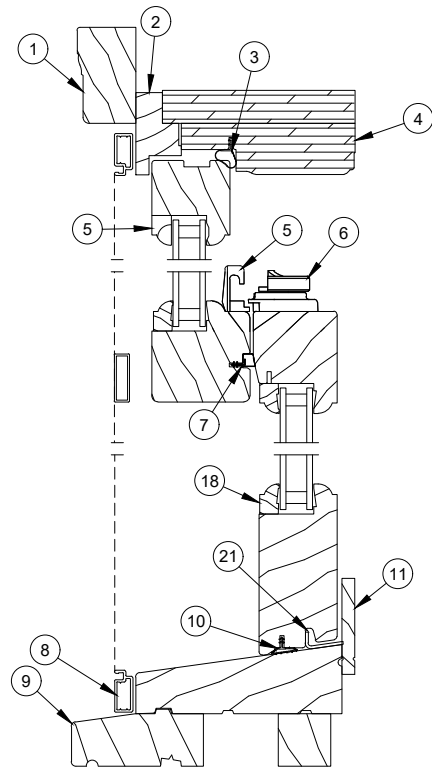
**Jamb Detail
True Half Circle
With Or Without Spring Line**

1. Radiused Nailing Fin, V110
2. Foam Frame Weather Strip
3. Radiused Head Jamb Liner/Filler, W2135
4. Sash Weather Strip, V195
5. Stationary Bracket

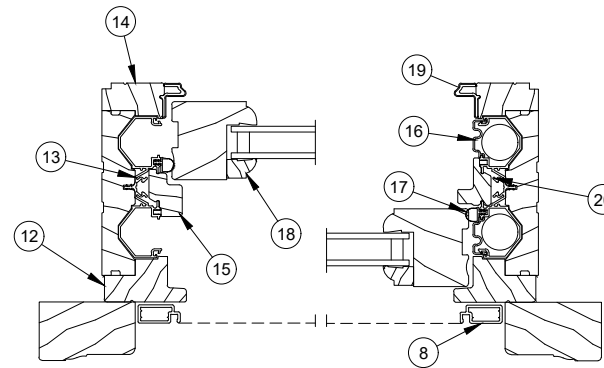
6. Radiused Glazing Bead, W7680
7. Sill Nailing Fin, V084
8. Foam Tape
9. Sill Bracket
10. Sill Filler, W3119

11. Sill Liner, W2531
12. Sill Cover, V931
13. Jamb Nailing Fin, V104
14. Interior Liner/Filler, W2111
15. Glazing Bead, W7680

Ultimate Wood Double Hung Magnum Round Top



Head Jamb And Sill Detail



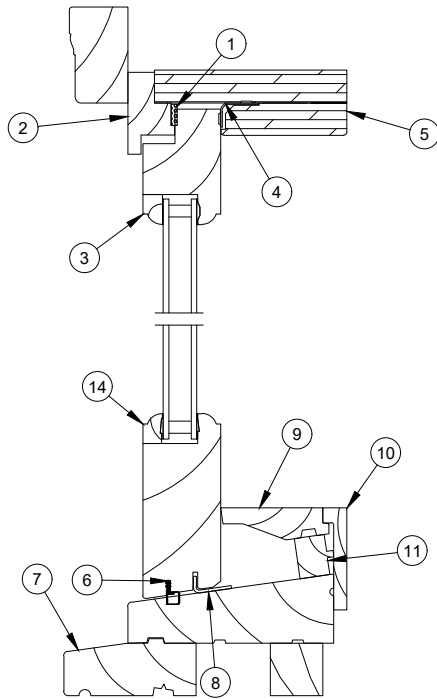
Jamb Detail

1. Radiused Head jamb Brick Mould Casing, W1047
2. Radiused Blind Stop
3. Parting Stop Weather Strip, V025
4. Radiused Glazing Bead, W4009
5. Keeper
6. Lock
7. Check Rail Weather Strip, V031

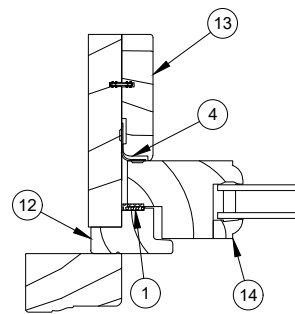
8. Screen
9. Subsill, W2134
10. Sash Weather Strip, V147
11. Sill Liner, W8914
12. Jamb Blind Stop, W2123
13. Vinyl Jamb Carrier, V1375
14. Interior Jamb Liner, W8880

15. Wood Jamb Filler, W8927
16. Balance Tube Cover, A1387
17. Frame weather Strip, V1419
18. Glazing Bead, W4009
19. Wood Wrap Aluminum Interior Stop, A1402
20. Interior Jamb Filler, W8878
21. Sill Bracket

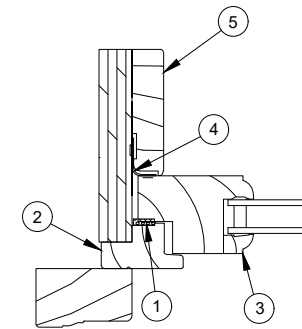
Ultimate Wood Double Hung Magnum Picture Round Top



Head Jamb And Sill Detail



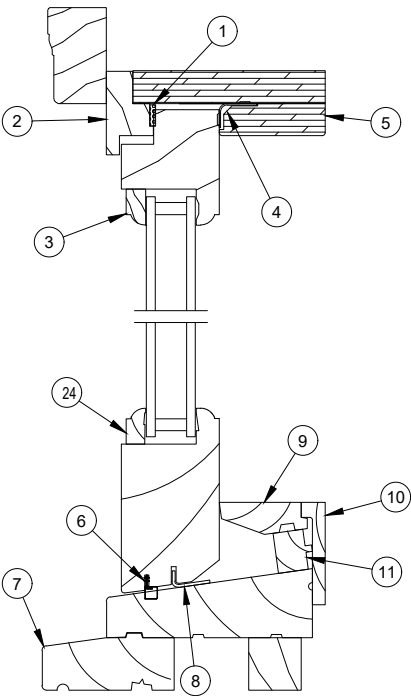
Eyebrow
With Non-Continuous Spring Line



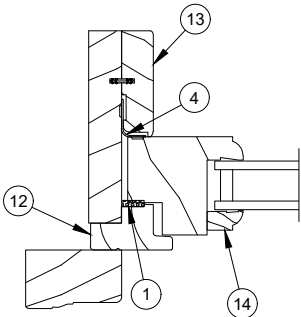
True Half Circle
With Or Without Continuous Spring Line

- | | |
|------------------------------------|---|
| 1. Foam Frame Weather Strip | 8. Bottom Rail Sash Bracket |
| 2. Radiused Blind Stop, W2203 | 9. Sill Filler, W8027 |
| 3. Radiused Glazing Bead, W4009 | 10. Sill Liner, W8992 |
| 4. Stationary Sash Bracket | 11. Sill Filler Riser, W8026 |
| 5. Radiused Filler/Liner, W2206 | 12. Jamb Blind Stop, W2203 |
| 6. Bottom Rail Weather Strip, V031 | 13. Stationary Interior Filler/Liner, W2191 |
| 7. Subsill, W2134 | 14. Glazing Bead, W4009 |

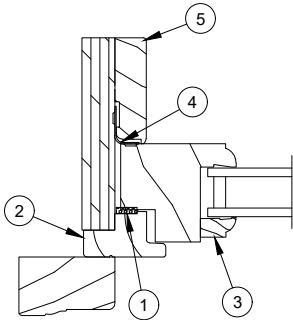
Ultimate Wood Double Hung Magnum Picture Round Top 1 Inch IG



Head Jamb And Sill Detail



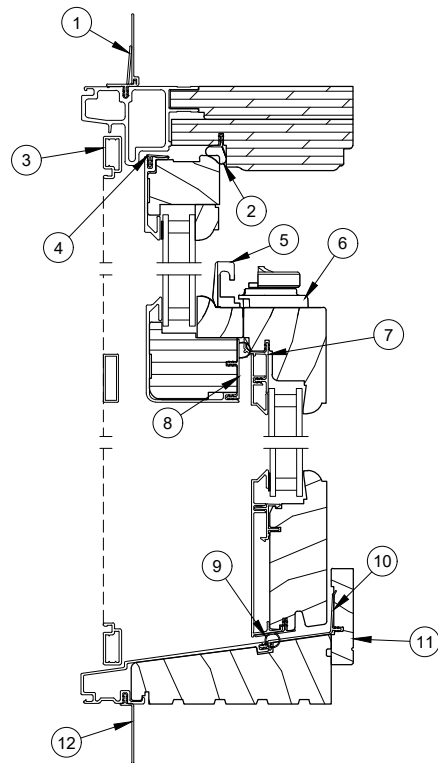
Eyebrow
With Non-Continuous Spring Line



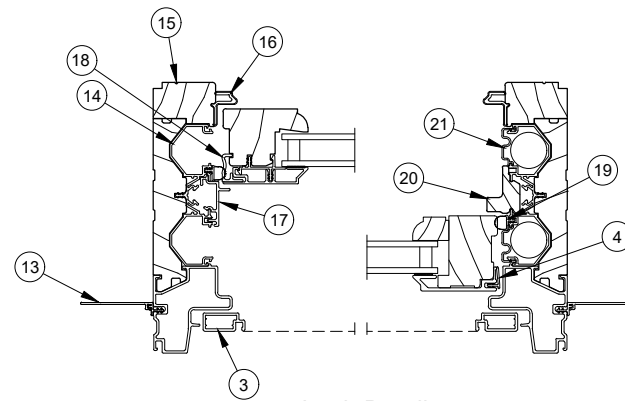
True Half Circle
With Or Without Continuous Spring Line

- | | |
|------------------------------------|---|
| 1. Foam Frame Weather Strip | 8. Bottom Rail Sash Bracket |
| 2. Radiused Blind Stop, W2203 | 9. Sill Filler, W8027 |
| 3. Radiused Glazing Bead, W4005 | 10. Sill Liner, W8992 |
| 4. Stationary Sash Bracket | 11. Sill Filler Riser, W8026 |
| 5. Radiused Filler/Liner, W2206 | 12. Jamb Blind Stop, W2203 |
| 6. Bottom Rail Weather Strip, V031 | 13. Stationary Interior Filler/Liner, W2191 |
| 7. Subsill, W2134 | 14. Glazing Bead, W4005 |

Ultimate Wood Double Hung Magnum Round Top DISC NA 06/27/2022



Head Jamb And Sill Detail



Jamb Detail

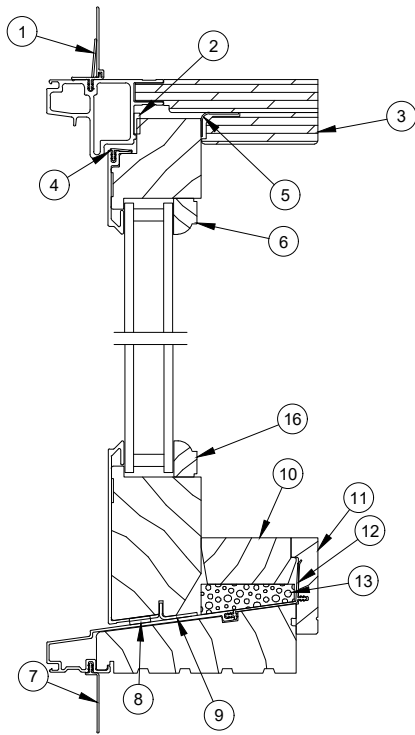
1. Radiused Nailing Fin, V110
2. Head Jamb Parting Stop Weather Strip, V025
3. Screen
4. Sash Trim, V004
5. Sash Keeper
6. Sash Lock
7. Bottom Check Rail Cladding Connector, V929

8. Top Check Rail Weather Strip, V920
9. Bottom Rail Weather Strip, V937
10. Sill Cover, V931
11. Sill Liner, W8860
12. Sill Nailing Fin, V084
13. Jamb Nailing Fin, V104
14. Vinyl Jamb Carrier, V1375

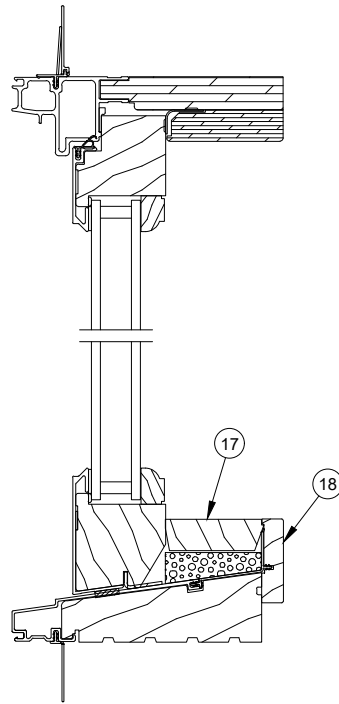
15. Interior Jamb Liner, W8877
16. Jamb Liner Stop, A1402
17. Clad Jamb Filler, A1388
18. Contact Strip, V1500
19. Frame Weather Strip, V1419
20. Interior Wood Jamb Filler, W8878
21. Balance Cover, A1387

Ultimate Wood Double Hung Magnum Round Top DISC NA 06/27/2022

Picture and Transom

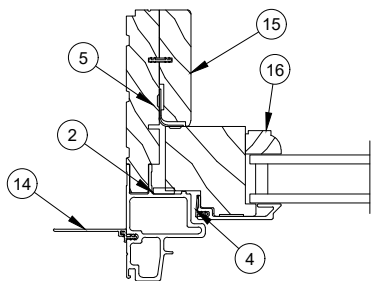


Picture
Head Jamb And Sill Detail

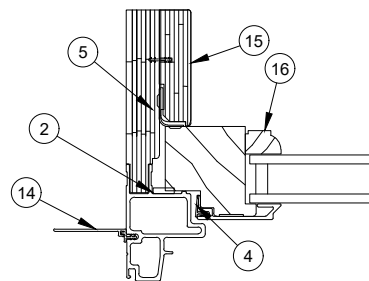


Transom
Head Jamb And Sill Detail

1. Radiused Nailing Fin, V110
2. Foam Tape
3. Radiused Head Jamb Filler/Liner, W2135
4. Sash Trim, V004
5. Stationary Bracket
6. Radiused Glazing Bead, W7680
7. Sill Nailing Fin, V084
8. Foam Tape
9. Sill Bracket
10. Sill Filler, W9643
11. Sill Liner, W8991
12. Sill Cover, V931
13. Foam Sill Filler
14. Jamb Nailing Fin, V104
15. Interior Liner/Filler, W2111
16. Glazing Bead, W7680
17. Sill Filler, W3119
18. Sill Liner, W2531

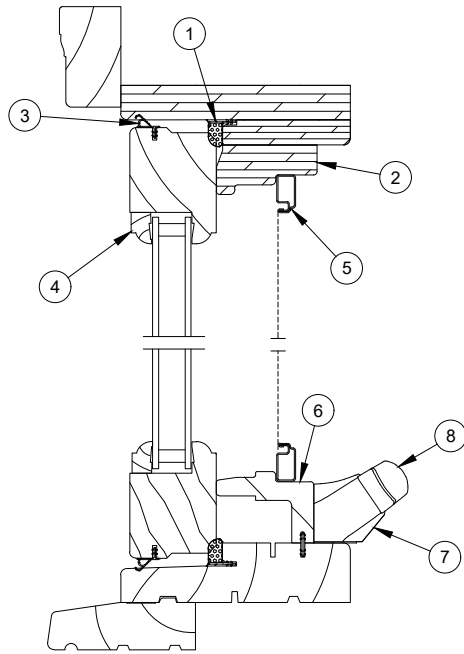


Eyebrow
With Non-Continuous Spring Line

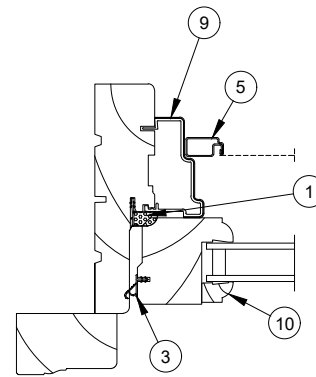


True Half Circle
With Or Without Non-Continuous Spring Line

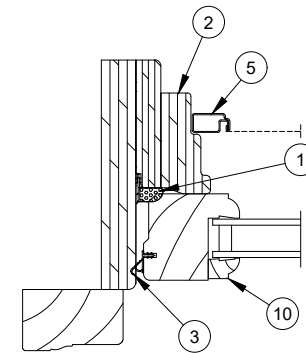
Ultimate Wood Casemaster Operator Round Top DISC LA PRE 2010 (Eyebrow) Discontinued 07/27/2009



Head Jamb And Sill Detail



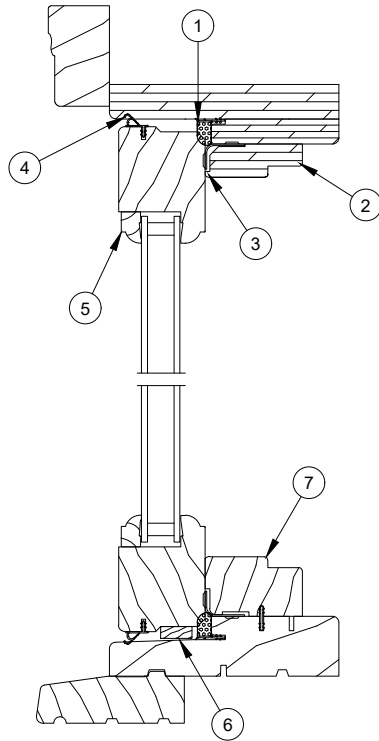
Jamb Detail
Operator (Eyebrow)



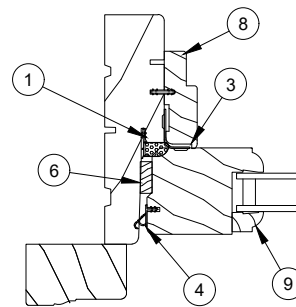
Jamb Detail
True Half Circle Above Spring Line

- | | |
|--|---|
| 1. Frame Weather Strip, V506 | 6. Hardware Cover, W8459 |
| 2. Radiused Head Jamb Operator Stop, W8607 | 7. Folding Handle Cover |
| 3. Sash Weather Strip, V195 | 8. Folding Handle |
| 4. Radiused Glazing Bead, W4009 | 9. Vinyl Side Stop, V1162 (no longer available) |
| 5. Screen | 10. Glazing Bead, W4009 |

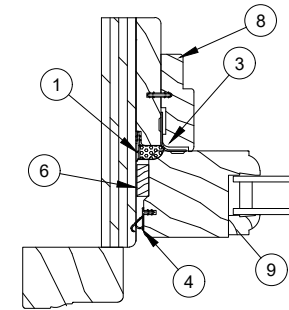
Ultimate Wood Casemaster Round Top DISC LA PRE 2010 - Stationary (True Half Circle) Discontinued 07/27/2009



Head Jamb And Sill Detail
With Or Without Spring Line



Jamb Detail
Eyebrow
With Spring Line

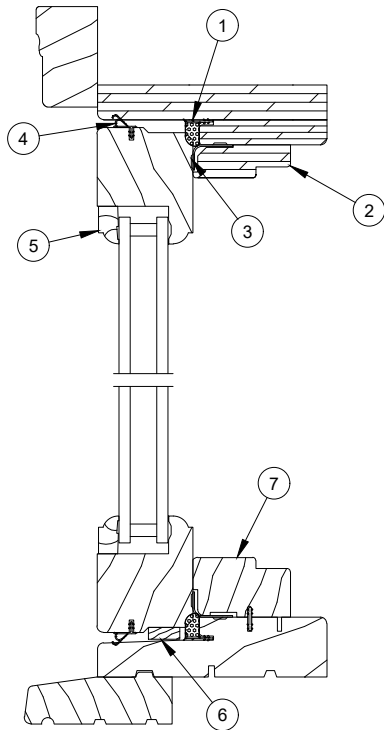


Jamb Detail
True Half Circle
with Or Without Spring Line

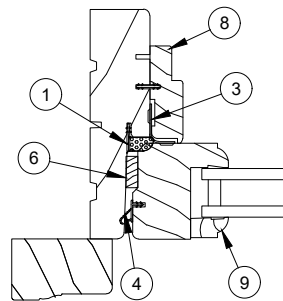
- 1. Frame Weather Strip, V506
- 2. Radiused Head Jamb Stationary Stop, W7085
- 3. Stationary Sash Bracket
- 4. Sash Weather Strip, V195
- 5. Radiused Glazing Bead

- 6. Stationary Sash Setting block, W7681
- 7. Sill Cover
- 8. Side Stop, W8642
- 9. Glazing Bead, W4009

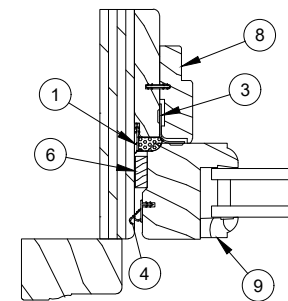
Ultimate Wood Casemaster Round Top DISC LA PRE 2010 - 1" Picture Discontinued 07/27/2009



Head Jamb And Sill Detail
With Or Without Spring Line



Jamb Detail
Eyebrow
With Spring Line

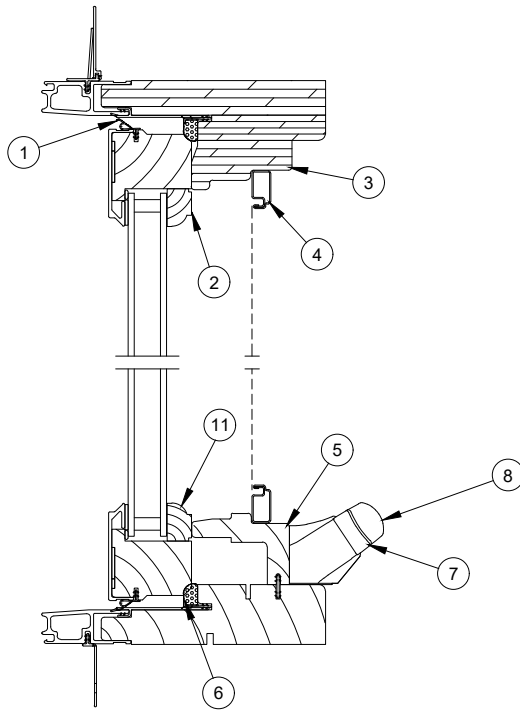


Jamb Detail
True Half Circle
With Or Without Spring Line

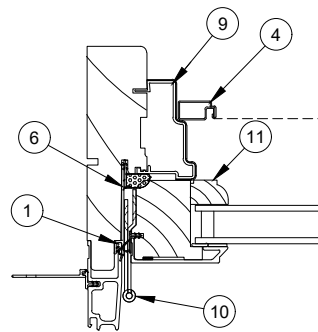
1. Frame Weather Strip, V506
2. Radiused Head Jamb Stationary Stop, W7085
3. Stationary Sash Bracket
4. Sash Weather Strip, V195
5. Radiused Glazing Bead

6. Stationary Sash Setting block, W7681
7. Sill Cover
8. Side Stop, W8642
9. Glazing Bead

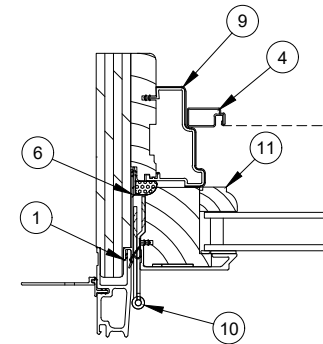
Ultimate Casemaster Operator Round Top DISC LA PRE 2010 Discontinued 07/27/2009



Head Jamb And Sill Detail
With Or Without Spring Line



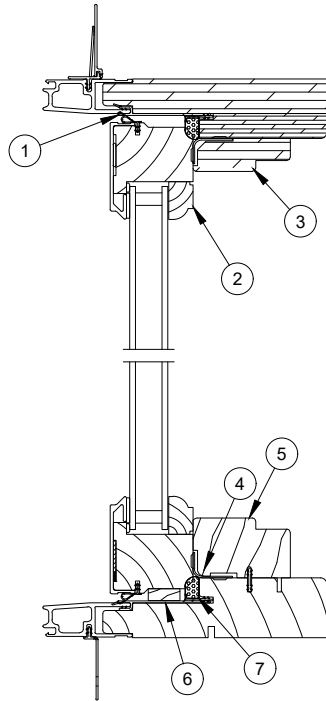
Jamb Detail
Eyebrow
With Spring Line



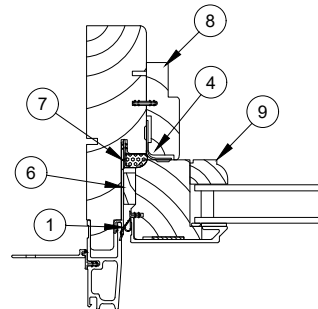
Jamb Detail
True Half Circle
With Or Without Spring Line

- | | |
|-----------------------------------|---|
| 1. Sash Weather Strip, V195 | 7. Folding Handle Cover |
| 2. Radiused Glazing Bead, W7680 | 8. Folding Handle |
| 3. Radiused Head Jamb Stop, W8607 | 9. Operator Jamb Side Stop, V1162 (no longer available) |
| 4. Screen | 10. Hinge |
| 5. Hardware Cover, W8549 | 11. Glazing Bead |
| 6. Frame Weather Strip, V506 | |

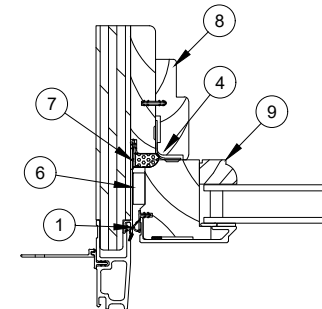
Ultimate Casemaster Round Top DISC LA PRE 2010 - Stationary Discontinued 07/27/2009



Head Jamb And Sill Detail
With Or Without Spring Line



Jamb Detail
Eyebrow
With Spring Line

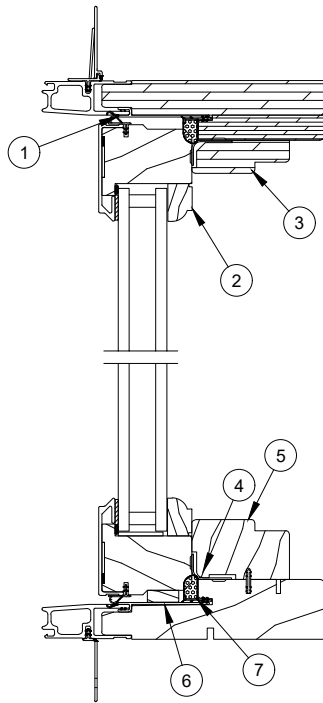


Jamb Detail
True Half Circle
With Or Without Spring Line

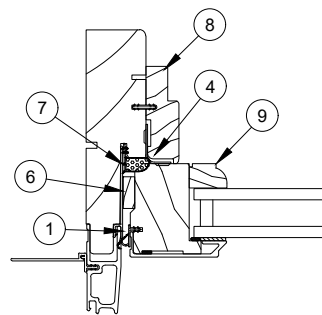
1. Sash Weather Strip, V195
2. Radiused Glazing Bead, W7680
3. Radiused Head Jamb Stop, W7085
4. Stationary Bracket
5. Sill Cover

6. Stationary Sash Setting Block, W7681
7. Frame Weather Strip, V506
8. Jamb Stop, W8462
9. Glazing Bead, W7680

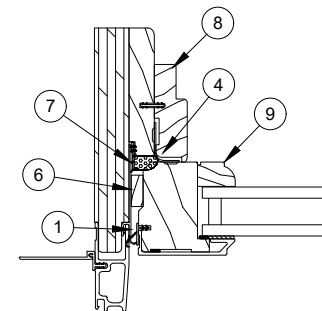
Ultimate Casemaster Round Top DISC LA PRE 2010 - 1" Picture Discontinued 07/27/2009



Head Jamb And Sill Detail
With Or Without Spring Line



Jamb Detail
Eyebrow
With Spring Line



Jamb Detail
True Half Circle
With Or Without Spring Line

1. Sash Weather Strip, V195
2. Radiused Glazing Bead, W7680
3. Radiused Head Jamb Stop, W7085
4. Stationary Bracket
5. Sill Cover

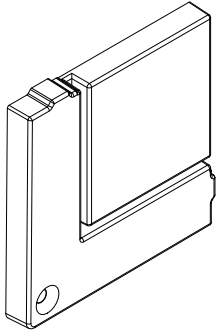
6. Stationary Sash Setting Block, W7681
7. Frame Weather Strip, V506
8. Jamb Stop, W8462
9. Glazing Bead, W7680

Top End Cap

Ultimate Direct Glaze Corner

Ultimate Direct Glaze Corner DISC LA Pre 8/28/17

Color	PN	Suggested Fasteners	PN
Black	10500888	1 - #7-19x5/8", Type AB-17, full thread	11830009

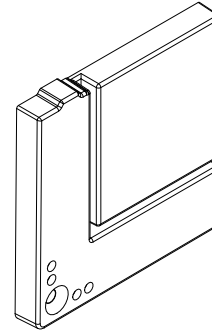


Bottom End Cap

Ultimate Direct Glaze Corner

Ultimate Direct Glaze Corner DISC LA Pre 8/28/17

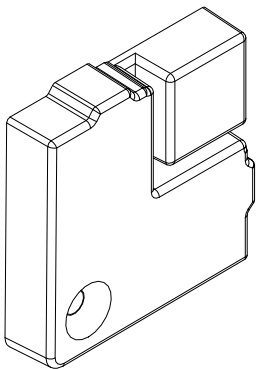
Color	PN	Suggested Fasteners	PN
Black	10500887	1 - #7-19x5/8", Type AB-17, full thread	11830009



Top End Cap

Ultimate Direct Glaze Narrow Frame Corner

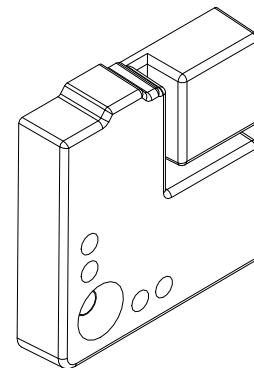
Color	PN	Suggested Fasteners	PN
Black	10500885	1 - #7-19x5/8", Type AB-17, full thread	11830009



Bottom End Cap

Ultimate Direct Glaze Narrow Frame Corner

Color	PN	Suggested Fasteners	PN
Black	10500886	1 - #7-19x5/8", Type AB-17, full thread	11830009



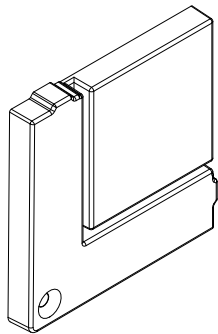
Installation Kit

Ultimate Direct Glaze Corner

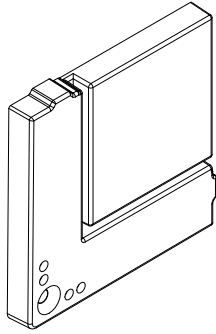
Includes:

- 1 - Top end cap (10500888)
 - 1 - Bottom end cap (10500887)
 - 2 - Head jamb nailing fin, 144" (16217199)
 - 2 - #7-19x5/8" flat head screws (11830009)
 - 24 (<60) or 48 (>60) - #8-18x5/8" pan head screws (11800498)
 - 14 (<60) or 28 (>60) - #6-18x1 1/2" flat head screws (11806112)
- Installation Instructions

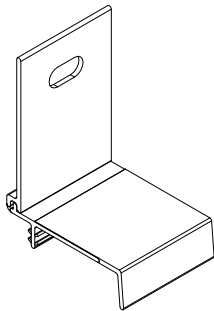
Frame Height	PN
<60 Frame Height	11881217
>60 Frame Height	11881218



Top End Cap



Bottom End Cap (## shown)



Head Jamb Nailing Fin

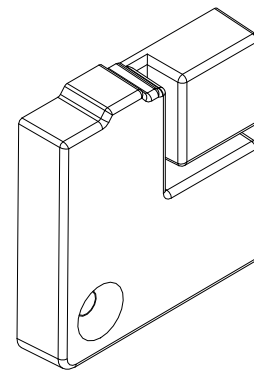
Installation Kit

Ultimate Direct Glaze Narrow Frame Corner

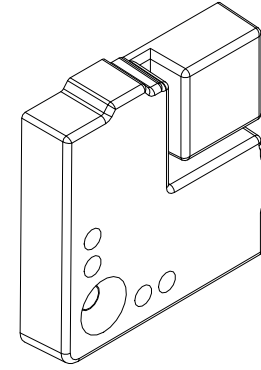
Includes:

- 1 - Top end cap (10500885)
 - 1 - Bottom end cap (10500886)
 - 2 - Head jamb nailing fin, 144" (16217199)
 - 2 - #7-19x5/8" flat head screws (11830009)
 - 24 (<60) or 48 (>60) - #8-18x5/8" pan head screws (11800498)
 - 14 (<60) or 28 (>60) - #6-18x1 1/2" flat head screws (11806112)
- Installation Instructions

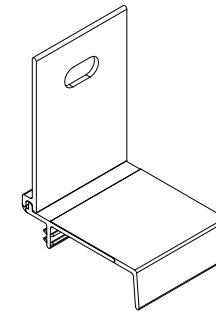
Frame Height	PN
<60 Frame Height	11881215
>60 Frame Height	11881216



Top End Cap (## shown)



Bottom End Cap (## shown)



Head Jamb Nailing Fin

Foam Interior Glazing Tape

Ultimate and Ultimate Wood Direct Glaze Polygon

Used June 24, 2013 - present

Length	RH PN
Specify length	11406211

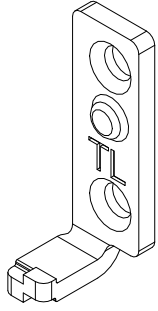
Top Sash Pivot Pin

Ultimate Wood Double Hung Magnum Round Top

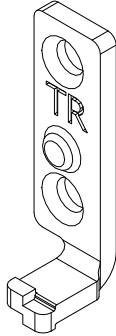
Ultimate Double Hung Magnum Round Top - DISC NA 06/27/2022

NOTE: Handing determined from exterior

LH PN	RH PN	Suggested Fasteners	PN
10500563	10500562	1 - #7-19x1 1/4", Type AB, full thread	11807113



LH shown



RH shown

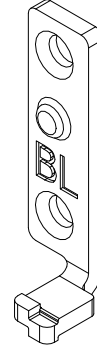
Bottom Sash Pivot Pin

Ultimate Wood Double Hung Magnum Round Top

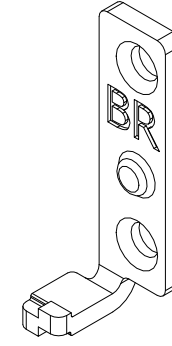
Ultimate Double Hung Magnum Round Top - DISC NA 06/27/2022

NOTE: Handing determined from exterior

LH PN	RH PN	Suggested Fasteners	PN
10500565	10500564	1 - #7-19x1 1/4", Type AB, full thread	11807113



LH shown



RH shown

End Plate Assembly

Ultimate Wood Double Hung Round Top

Ultimate Double Hung Round Top DISC LA Pre 6/29/15

Ultimate Wood Double Hung Magnum Round Top

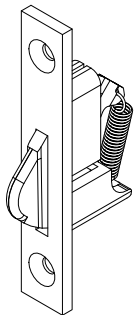
Ultimate Double Hung Magnum Round Top - DISC NA 06/27/2022

Includes:

1 - Tilt latch assembly

2 - #6x5/8" Phillips flat head wood screw (11800519)

PN
10500600



T-nut and Screws, Pkg

Ultimate Wood Double Hung Magnum Round Top

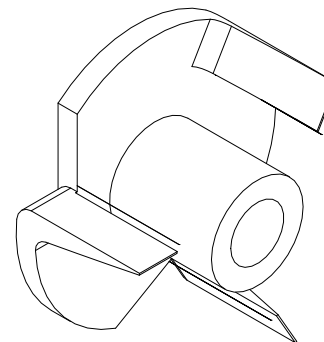
Ultimate Double Hung Magnum Round Top - DISC NA 06/27/2022

Includes:

4 - T-nuts (05080250)

2 - #8x1 1/8" machine screws (11800657)

PN
05570911



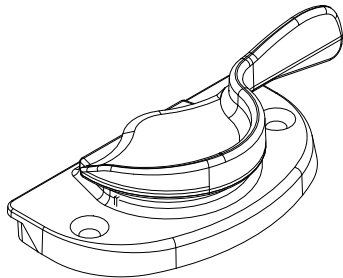
Sash Lock

Ultimate Wood Double Hung Magnum Round Top

Ultimate Double Hung Magnum Round Top - DISC NA 06/27/2022

Sash Lock	
Color	PN
Bronze	10500802
White	10500804
Satin Taupe	10500806
Brass	10500808
Satin Chrome	10500810
Antique Brass	10500814
Oil Rubbed Bronze	10500816
Satin Nickel	10500818

Suggested Fasteners	
2 - #7x7/8" Phillips flat head screws	
Color	PN
Bronze	11800779
White	10840019
Satin Taupe	11800786
Brass	11800787
Satin Chrome	11800789
Antique Brass	11800788
Oil Rubbed Bronze	11800794
Satin Nickel	11800796



Lock Keeper Kit

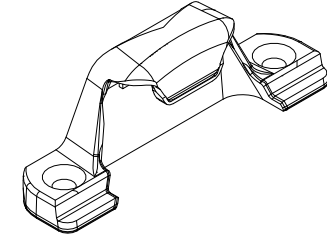
Ultimate Wood Double Hung Magnum Round Top

Ultimate Double Hung Magnum Round Top DISC NA 6/27/2022

Includes:

- 1 - Keeper
- 2 - #7x1 1/4" Phillips flat head wood screws

Lock Keeper Kit	
Color	PN
Bronze	11862501
White	11862500
Satin Taupe	11862502
Brass	11862503
Satin Chrome	11862505
Antique Brass	11862504
Oil Rubbed Bronze	11862506
Satin Nickel PVD	11862507



Keeper, Round Top

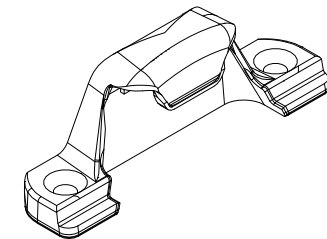
Ultimate Wood Double Hung Round Top

Ultimate Double Hung Round Top DISC LA Pre 6/29/15

Includes:

- 1 - Keeper
- 2 - #7x1 1/4" Phillips flat head wood screws

Color	PN
Satin Taupe	11869273
Bronze	11869270
White	11869271
Brass	11869272

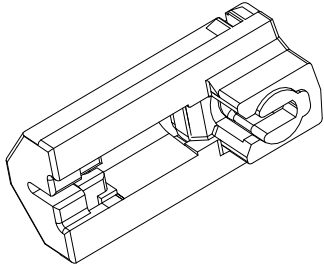


Clutch Assembly

Ultimate Wood Double Hung Magnum Round Top

Ultimate Double Hung Magnum Round Top - DISC NA 06/27/2022

PN
10500568

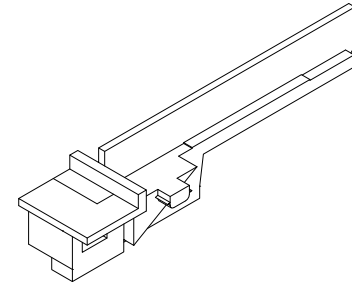


Sill Liner End Plug

Ultimate Wood Double Hung Magnum Round Top

Ultimate Double Hung Magnum Round Top DISC NA 6/27/2022

LH PN	RH PN
11867836 (Black)	11867837 (Natural)



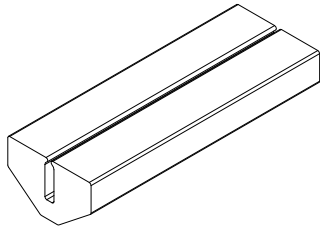
LH shown

Sash Bumper

Ultimate Wood Double Hung Magnum Round Top

Ultimate Double Hung Magnum Round Top DISC NA 6/27/2022

PN
11860430

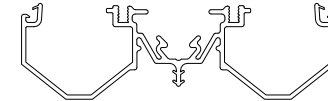


Vinyl Jamb Liner

Ultimate Wood Double Hung Magnum Round Top

Ultimate Double Hung Magnum Round Top DISC NA 6/27/2022

Color	PN
Beige	15352699
White	15352799



Sill Bracket

Ultimate Wood Double Hung Magnum Round Top

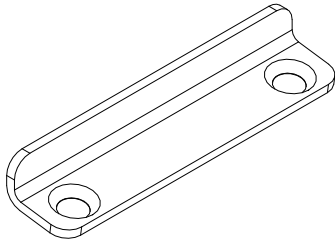
Ultimate Double Hung Magnum Round Top - DISC NA 06/27/2022

NOTE: For operating units

Includes:

- 1 - Sill bracket
- 2 - #7 x 3/4" flat head stainless steel screws

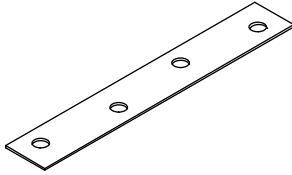
Color	PN
White	11841114
Beige	11841113



Operating Hinge Sash Seal Foam

Ultimate and Ultimate Wood Casemaster Round Top - DISC LA Pre 2010

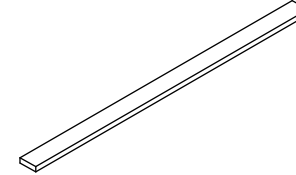
Color	RH PN
White	10500043



Operating Hinge Sash Seal Foam

Ultimate and Ultimate Wood Casemaster Round Top - DISC LA Pre 2010

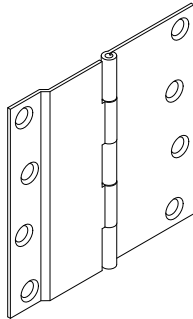
Color	RH PN
Gray	10500042



Hinge, Round Top Operator

Ultimate and Ultimate Wood Casemaster Round Top - DISC LA Pre 2010

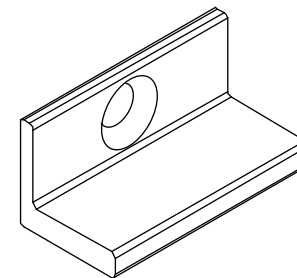
Color	PN
Brushed Satin	11860275



Sash Limiter

Ultimate and Ultimate Wood Casemaster Round Top - DISC LA Pre 2010

PN
18508598



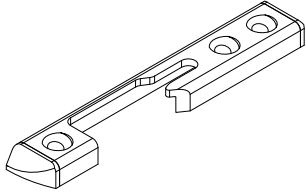
RT FCM Astragal Strike (Bottom)

Ultimate and Ultimate Wood French Casemaster Round Top - DISC LA Pre 2010

Includes:

- 1 - RT standard strike (10816094)
- 2 - #8 x 1 1/4" Stainless Steel screws (11808118)

PN
11850608



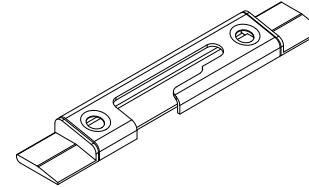
RT FCM Astragal Strike (Upper)

Ultimate and Ultimate Wood French Casemaster Round Top - DISC LA Pre 2010

Includes:

- 1 - RT sequential strike (10816093)
- 2 - #8 x 1 1/4" Stainless Steel screws (11808118)

PN
11850608



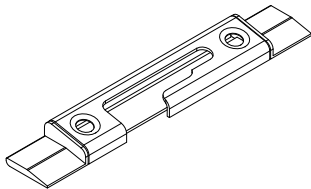
RT FCM Sill Strike

Ultimate and Ultimate Wood French Casemaster Round Top - DISC LA Pre 2010

Includes:

- 1 - RT sequential strike (10816093)
- 2 - #10-13x1" Stainless Steel screws (11830011)

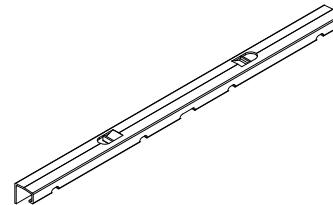
PN
11851606



RT CM Sash Limiter

Ultimate and Ultimate Wood French Casemaster Round Top - DISC LA Pre 2010

Finish	PN
E-Gard	10830707
Corrosion Resistant	10830708



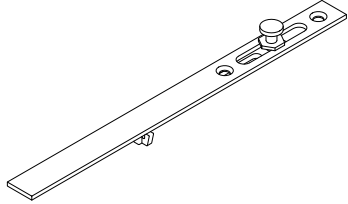
RT FCM Shoot Bolt

Ultimate and Ultimate Wood French Casemaster Round Top - DISC LA Pre 2010

Includes:

- 1 - Siegenia Shoot Bolt
- 2 - #8 x 2" screws (11800724)

PN
10816096



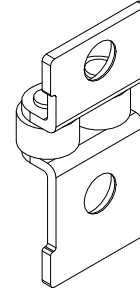
RT FCM Sash Lift Roller

Ultimate and Ultimate Wood French Casemaster Round Top - DISC LA Pre 2010

Includes:

- 1 - Roller
- 2 - #7 x 5/8" screws (11800736)

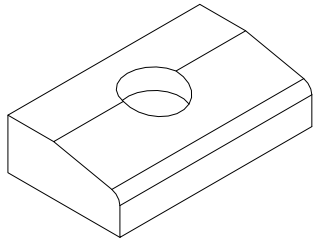
PN
10816027



RT FCM Sash Lift

Ultimate and Ultimate Wood French Casemaster Round Top - DISC LA Pre 2010

PN
10816089



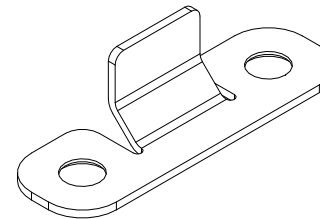
RT CM Bolt Keeper

Ultimate and Ultimate Wood French Casemaster Round Top - DISC LA Pre 2010

Includes:

- 1 - Keeper
- 2 - #7 x 5/8" screws (11800736)

PN
10814600



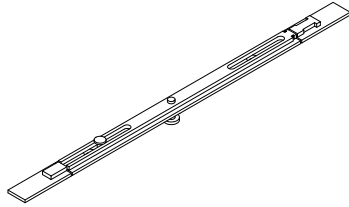
Linkage

Ultimate and Ultimate Wood French Casemaster Round Top - DISC LA Pre 2010

Includes:

1 - Linkage
#8 x 1 1/4" screws (11808118) - quantity of screws vary by size of unit

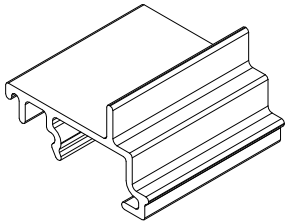
Size	PN
455-800 mm	10816123
801-1000 mm	10816046
1000-1460 mm	10816122
1461-1920 mm	10816040



When ordering aluminum replacement parts, specify:

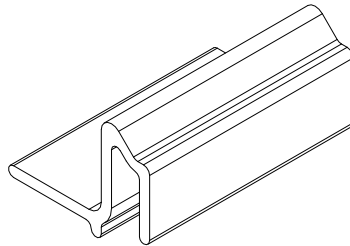
Ultimate Double Hung Magnum Round Top DISC NA 06/27/2022

1. Original order number, if available
2. Profile
3. Color
4. Top or Bottom (Balance Cover)



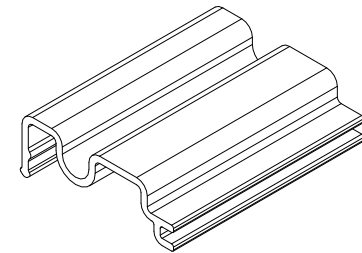
A1388, Aluminum Jamb Filler, Operator

Ultimate Double Hung Magnum Round
Top DISC NA 06/27/2022



A1402, Wood Wrap Aluminum Interior Stop

Ultimate Double Hung Magnum Round Top
DISC NA 06/27/2022



A1387, Balance Cover

Ultimate Double Hung Magnum Round
Top DISC NA 06/27/2022

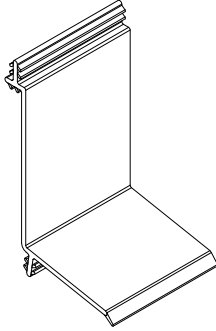
Sill Cover

V931

Ultimate Wood Double Hung Magnum Round Top

Ultimate Double Hung Magnum Round Top - DISC NA 06/27/2022

Color	PN
Beige	15350599
White	15351999



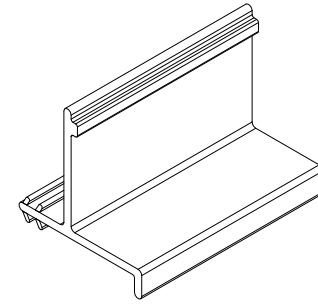
Attachment Barb

V2225

Ultimate Direct Glaze Polygon and IZ3

Ultimate Direct Glaze Corner

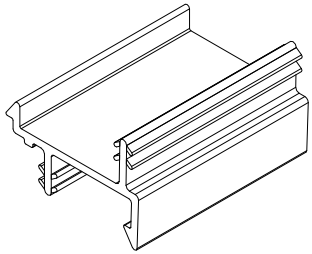
Length	PN
150" (3810)	16000799



When ordering aluminum replacement parts, specify:

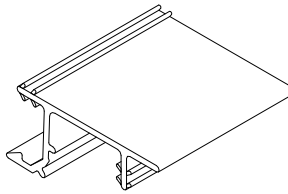
Ultimate Double Hung Magnum Round Top DISC NA 06/27/2022

1. Original order number, if available
2. Profile
3. Color



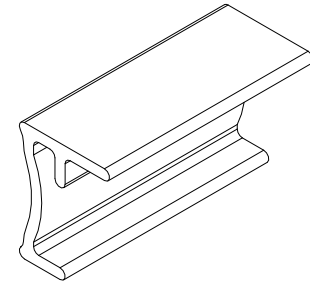
V946, Sash Clad Connector

Ultimate Double Hung Magnum Round
Top DISC NA 06/27/2022



V929, Bottom Sash Check Rail Connector

Ultimate Double Hung Magnum Round Top
DISC NA 06/27/2022



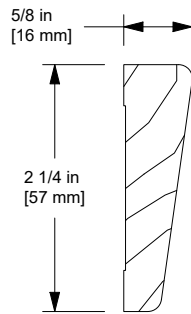
V1500, Contact Strip

Ultimate Double Hung Magnum Round
Top DISC NA 06/27/2022

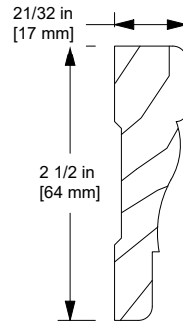
To order, specify (all that apply):

1. Original order number, line number or call number
2. Rough opening or length
3. Radius only or entire unit
4. Template (if required)
5. Profile number (specify Pine or Oak)
6. Species
7. Finish

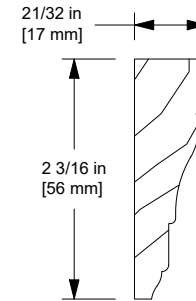
NOTE: Longest length available for pine trim is 168". Longest length available for oak trim is 120". RT51-53, 58-61 or any type of inverted radius will have flat profile only.



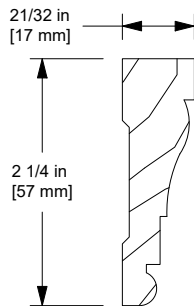
W1144, Interior Trim



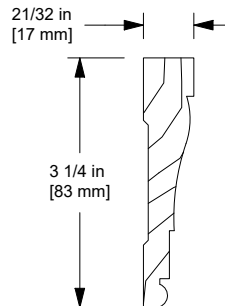
W1351, Interior Trim



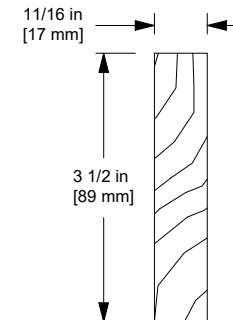
W1366, Interior Trim



W1376, Interior Trim



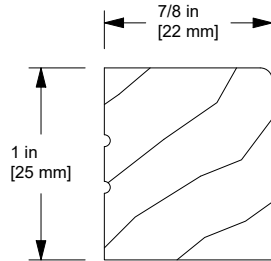
W1445, Interior Trim



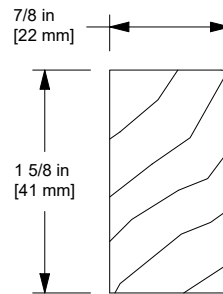
W1077, Interior 4/4 Flat Casing

To order, specify (all that apply):

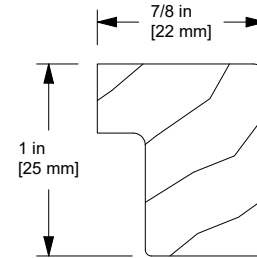
1. Original order number, line number or call number
2. Rough opening or length
3. Radius only or entire unit
4. Profile number
5. Species
6. Finish



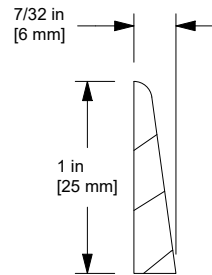
W14258, Glazing Bead, IG
 Ultimate and Ultimate Wood
 Direct Glaze Polygon/Round Top
 (Replaces W11751)



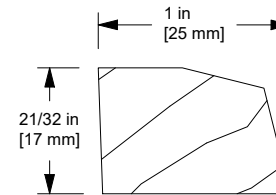
W14261, Glazing Bead, SG
 Ultimate and Ultimate Wood
 Direct Glaze Polygon
 (Replaces W12092)



W14337, Radius Glazing Bead
 Ultimate and Ultimate Wood
 Direct Glaze Round Top
 (Replaces W11923)



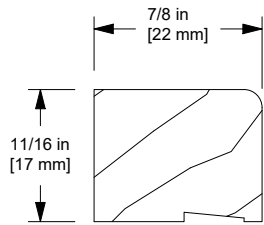
W4072, Glazing Bead, SG ADL
 Ultimate Wood Direct Glaze
 Polygon/Round Top



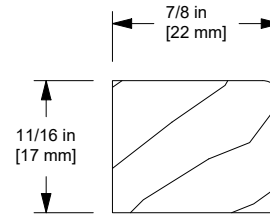
W4110, Glazing Bead, IG
 Ultimate Wood Direct Glaze
 Polygon/Round Top/Rectangle
 Pre 6/24/2013

To order, specify (all that apply):

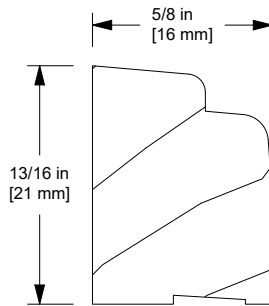
- | | |
|--|-------------------|
| 1. Original order number, line number or call number | 4. Profile number |
| 2. Rough opening or length | 5. Species |
| 3. Radius only or entire unit | 6. Finish |



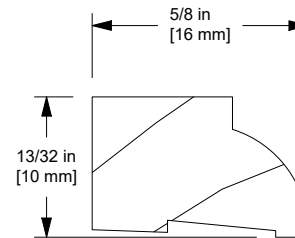
W11651, Glazing Bead
 Ultimate Direct Glaze
 Polygon/Round Top
 Used June 2012 to June 24, 2013



W4160, Glazing Bead, IG
 Ultimate Direct Glaze
 Rectangle
 Used previous to June 2012



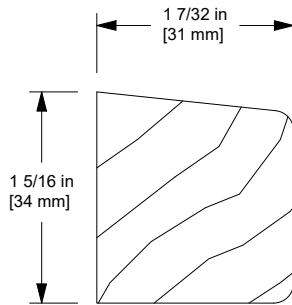
W4174, Glazing Bead, SG
 Ultimate Wood Direct Glaze
 Polygon/Round Top
 Pre 6/24/2013



W4009, Glazing Bead, 1-Lite, SDL/ADL
 Ultimate Wood Direct Glaze
 Polygon/Round Top - Pre 6/24/2013

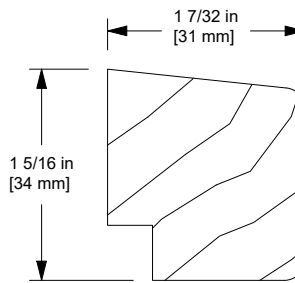
To order, specify (all that apply):

1. Original order number, line number or call number
2. Rough opening or length
3. Radius only or entire unit
4. Profile number
5. Species
6. Finish



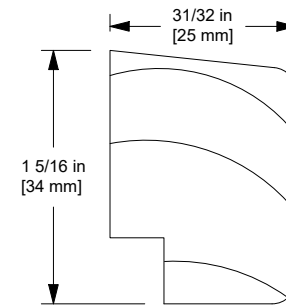
W12059, Sill Nosing

Ultimate Wood Direct Glaze Rectangle
And mulled over:
Ultimate Wood Inswing and Outswing
French Door, Sliding Patio Door and
Commercial Door



W12032, Sill Nosing

Ultimate Wood Direct Glaze Rectangle
And mulled over:
Ultimate Wood Inswing French Door
DISC LA Pre 2/28/11
Ultimate Wood Outswing French Door
DISC LA Pre 7/0/12

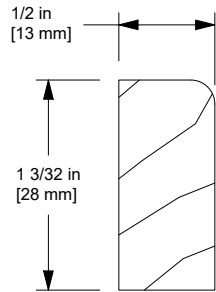


W12031, Sill Nosing

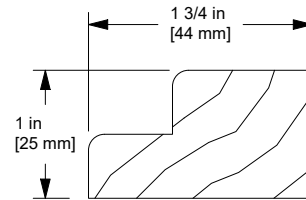
Used with total R.O. Continuous Casing
Ultimate Wood Direct Glaze Rectangle
And mulled over:
Ultimate Wood Inswing French Door
DISC LA Pre 2/28/11
Ultimate Wood Outswing French Door
DISC LA Pre 7/0/12

To order, specify (all that apply):

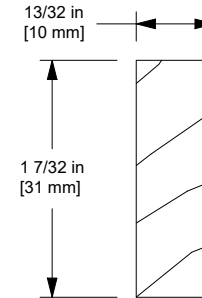
1. Original order number, line number or call number
2. Rough opening or length
3. Radius only or entire unit
4. Profile number
5. Species
6. Finish



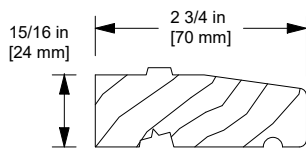
W7013, Bullnose Stop, ADL, (SG, 1")
Ultimate Wood Direct Glaze
Polygon and Round Top



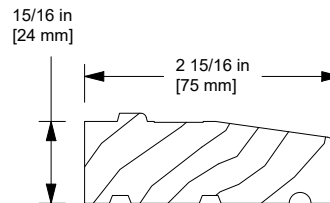
W2230, Bullnose Stop, Radiused, ADL, (SG, 1")
Ultimate Wood Direct Glaze Round Top



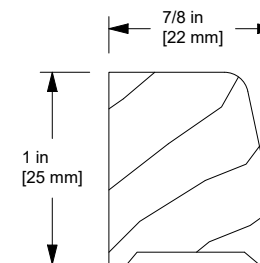
W6192 ,Filler, SG ADL (w/o Energy Panel)
Ultimate Wood Direct Glaze
Polygon and Round Top



W10333, Subsill
Ultimate Direct Glaze
Polygon and Round Top



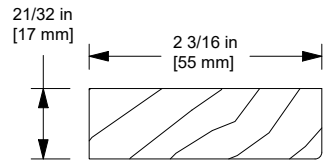
W2197, Subsill
Polygon ADL Frame
Ultimate Wood Direct Glaze
Polygon (Pre 6/24/2013)



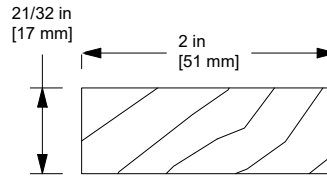
W11989, Exterior Stop
Ultimate Wood Direct Glaze Round Top

To order, specify (all that apply):

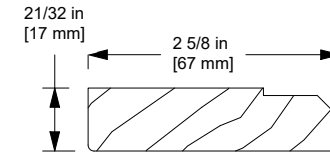
1. Original order number, line number or call number
2. Rough opening or length
3. Radius only or entire unit
4. Profile number
5. Species
6. Finish



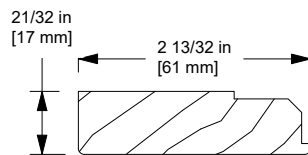
W2106, Head Jamb Filler, Radiused
 Ultimate Double Hung Round Top
 DISC LA Pre 6/29/15



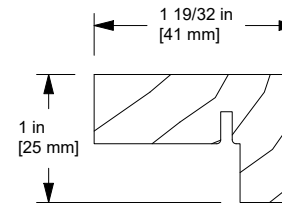
W8006, Head Jamb Filler, Radiused
 Ultimate Wood Double Hung Round Top



W2206, Head Jamb Filler, Radiused
 Ultimate Wood Double Hung Round Top
 (Transom and Picture)
 Ultimate Wood Double Hung
 Magnum Round Top (Transom and Picture)



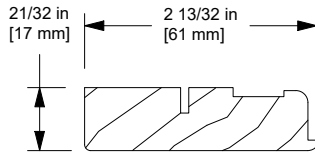
W2135, Head Jamb Filler, Radiused
 Ultimate Wood Double Hung Magnum
 Round Top (Transom and Picture)
 Ultimate Double Hung Magnum Round Top 1"
 DISC LA Pre 6/29/15 (Transom and Picture)



W2101, Head Jamb Parting Stop, Radius
 Ultimate Wood Double Hung Round Top
 Ultimate Double Hung Round Top
 DISC LA Pre 6/29/15

To order, specify (all that apply):

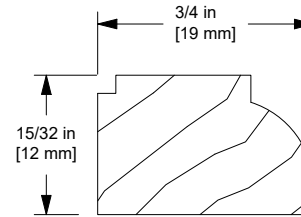
1. Original order number, line number or call number
2. Rough opening or length
3. Radius only or entire unit
4. Profile number
5. Species
6. Finish



W2111, Interior Liner

Ultimate Double Hung Magnum Round Top
(Picture and Transom)

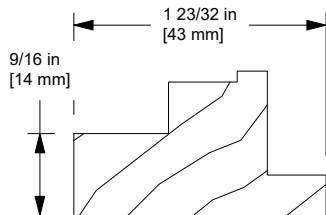
Ultimate Double Hung Round Top
DISC LA Pre 6/29/15



W7680, Glazing Bead

Ultimate Wood Double Hung Magnum
Round Top (Transom and Picture)

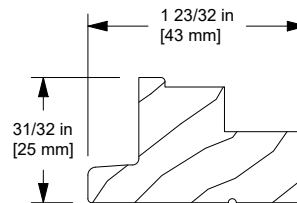
Ultimate Double Hung Magnum Round Top 1"
DISC LA Pre 6/29/15 (Transom and Picture)



W2203, Jamb Blind Stop, Radiused

Ultimate Wood Double Hung Magnum
Round Top, Transom or Picture

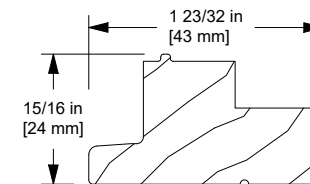
Ultimate Wood Double Hung Magnum
Round Top, Transom or Picture



W2123, Jamb Blind Stop

Ultimate Double Hung Magnum Round Top
(Picture and Transom)

Ultimate Double Hung Round Top
(Round Top, Picture or Transom)
DISC LA Pre 6/29/15

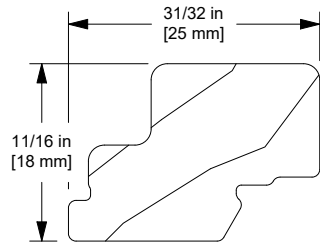


W8950, Jamb Blind Stop, Operator

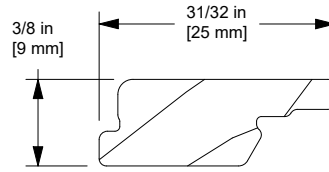
Ultimate Wood Double Hung Polygon
Ultimate Wood Double Hung Magnum Round Top

To order, specify (all that apply):

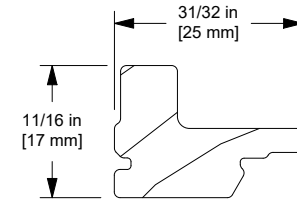
1. Original order number, line number or call number
2. Rough opening or length
3. Radius only or entire unit
4. Profile number
5. Species
6. Finish



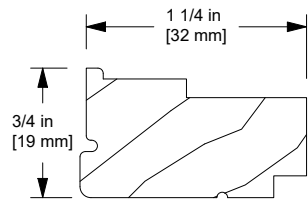
W8927, Jamb Filler
Ultimate Wood Double Hung
Magnum Round Top



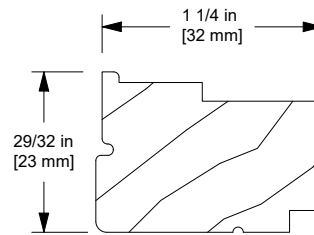
W8879, Jamb Filler, Exterior
Ultimate Wood Double Hung
Magnum Round Top



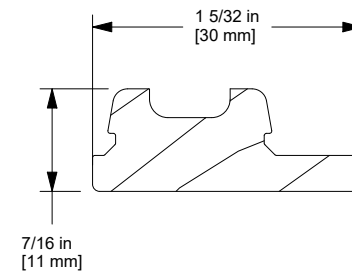
W8878, Jamb Filler, Interior
Ultimate Wood Double Hung
Magnum Round Top
Ultimate Double Hung Magnum
Round Top - DISC NA 6/27/2022



W8880, Jamb Liner, Interior
Ultimate Wood Double Hung
Magnum Round Top



W8877, Jamb Liner, Interior
Ultimate Double Hung Magnum Round Top
Disc NA 06/27/2022

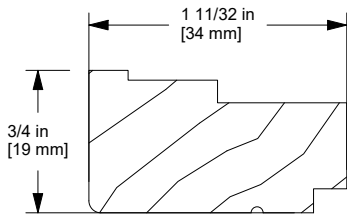


W2018, Jamb Filler
Ultimate Wood Double Hung Round Top
Ultimate Double Hung Round Top
DISC LA Pre 6/29/15

To order, specify (all that apply):

1. Original order number, line number or call number
2. Rough opening or length
3. Radius only or entire unit

4. Profile number
5. Species
6. Finish

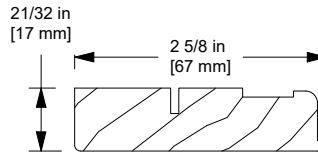


W2127, Jamb Liner, Interior

Ultimate Wood Double Hung Polygon
(Polygon, Picture and Transom)

Ultimate Wood Double Hung Round Top
(Round Top, Picture and Transom)

Ultimate Wood Double Hung Magnum Round Top
(Round Top, Picture and Transom)

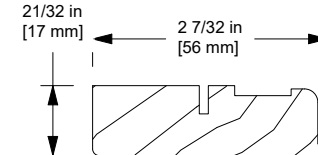


W2191, Jamb Liner, 1 5/8"

(Transom and Picture units)

Ultimate Wood Double Hung Round Top

Ultimate Wood Double Hung Polygon



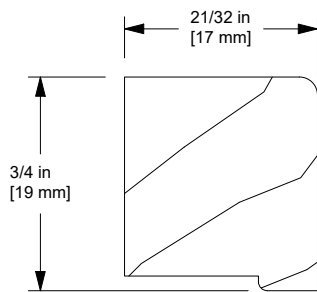
W8031, Jamb Liner, 2"

(Transom and Picture units)

Ultimate Wood Double Hung Round Top

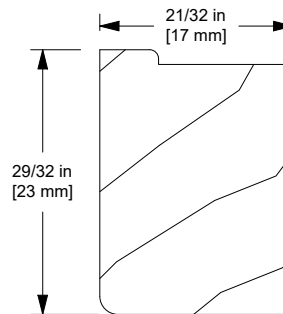
Ultimate Wood Double Hung Polygon

Ultimate Wood Double Hung Magnum Round Top



W2189, Jamb Liner, Interior, Continuous

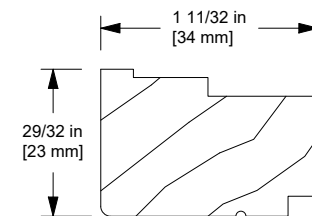
Ultimate Wood Double Hung Round Top



W2105, Jamb Liner, Interior, Continuous

Ultimate Double Hung Round Top

DISC LA Pre 6/29/15



W2533, Jamb Liner, Interior

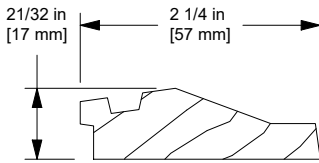
Ultimate Double Hung Round Top

DISC LA Pre 6/29/15

To order, specify (all that apply):

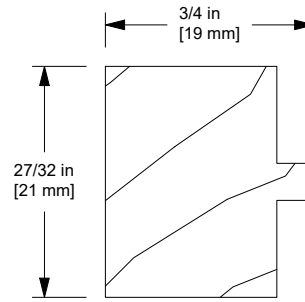
1. Original order number, line number or call number
2. Rough opening or length
3. Radius only or entire unit

4. Profile number
5. Species
6. Finish



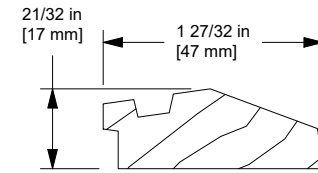
W9699, Sill Filler, 1 5/8"

Ultimate Wood Double Hung Round Top
(Transom and Picture)
Ultimate Wood Double Hung Polygon
(Transom and Picture)



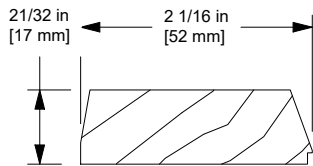
W9703, Sill Filler Riser, 2"

Ultimate Wood Double Hung Round Top
(Transom and Picture)
Ultimate Wood Double Hung Polygon
(Transom and Picture)



W9700, Sill Filler, 2"

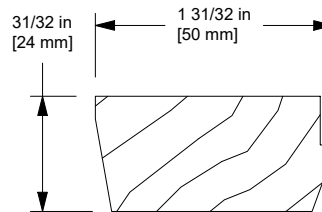
Ultimate Wood Double Hung Round Top
(Transom and Picture)
Ultimate Wood Double Hung Polygon
(Transom and Picture)



W3119, Sill Filler/Stop

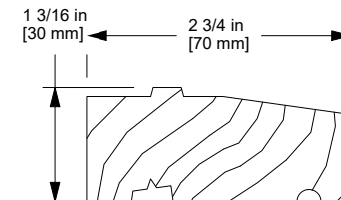
(Transom and Picture units)
Ultimate Double Hung Round Top 1"
DISC LA Pre 6/29/15

Ultimate Wood Double Hung Magnum Round Top



W9643, Sill Filler

Ultimate Double Hung Magnum
Picture Round Top
DISC NA 06/27/2022

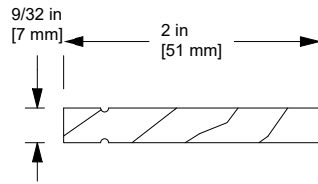


W2134, Subsill

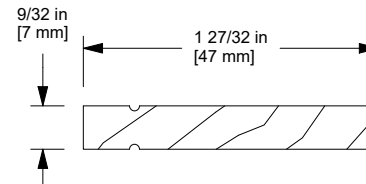
Ultimate Wood Double
Hung/Double Hung
Magnum Product Families

To order, specify (all that apply):

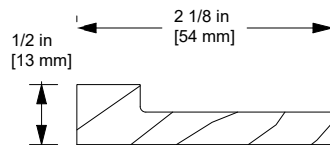
1. Original order number, line number or call number
2. Rough opening or length
3. Radius only or entire unit
4. Profile number
5. Species
6. Finish



W8914, Sill Liner
Ultimate Wood Double Hung
Magnum Round Top



W2146, Sill Liner
Ultimate Wood Double Hung Round Top
Ultimate Wood Double Hung Polygon



W8992, Sill Liner
Ultimate Wood Double Hung
Magnum Picture Round Top

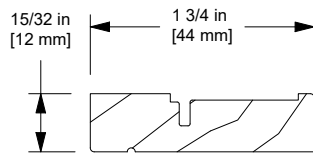


W2179, Sill Liner
(Transom and Picture units)
Ultimate Wood Double Hung Round Top
Ultimate Wood Double Hung Magnum Round Top

To order, specify (all that apply):

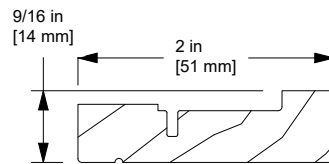
1. Original order number, line number or call number
2. Rough opening or length
3. Radius only or entire unit

4. Profile number
5. Species
6. Finish



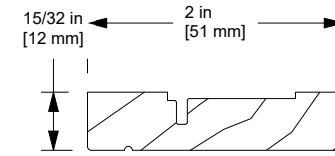
W2531, Sill Liner

Ultimate Double Hung Round Top 1"
DISC LA Pre 6/29/15
(Round Top, Transom and Picture)



W8991, Sill Liner, Picture

Ultimate Double Hung Magnum Picture
Round Top - Disc NA 06/27/2022

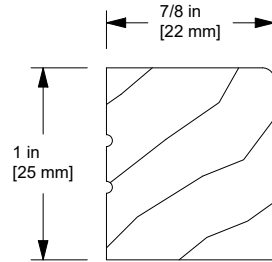


W8860, Sill Liner

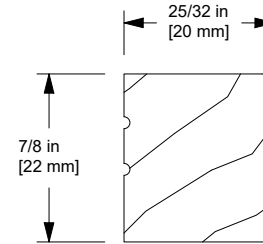
Ultimate Double Hung Magnum Round Top
Disc NA 06/27/2022

To order, specify (all that apply):

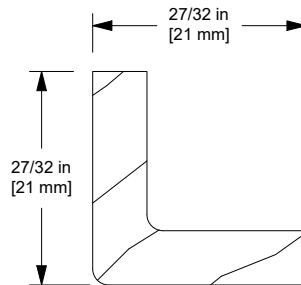
1. Original order number, line number or call number
2. Rough opening or length
3. Radius only or entire unit
4. Profile number
5. Species
6. Finish



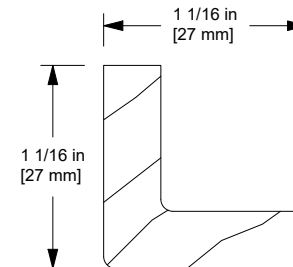
W14258, Glazing Bead, IG
 Ultimate Direct Glaze Corner
 Ultimate Direct Glaze Narrow
 Frame Corner
 (Replaces W11751)



W14259, Glazing Bead, SG
 Ultimate Direct Glaze Narrow
 Frame Corner
 (Replaces W12887)



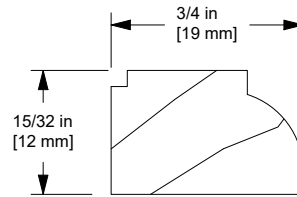
W12970, Interior Cover
 Ultimate Direct Glaze Corner



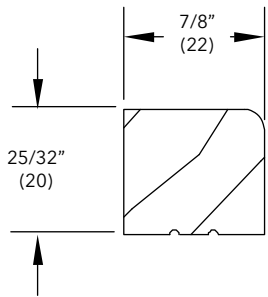
W12924, Interior Cover
 Ultimate Direct Glaze
 Narrow Frame Corner

To order, specify (all that apply):

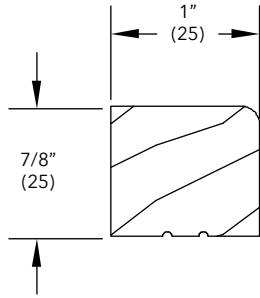
1. Original order number, line number or call number
2. Rough opening or length
3. Radius only or entire unit
4. Profile number
5. Species
6. Finish



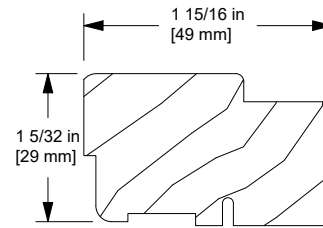
W7680, Glazing Bead, CCM, 1" Picture
Ultimate Casemaster Round Top



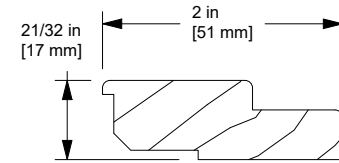
W1288, Glazing Stop
No longer available,
replace with W14259



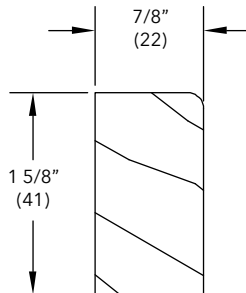
W11751, Glazing Stop
No longer available,
replace with W14258



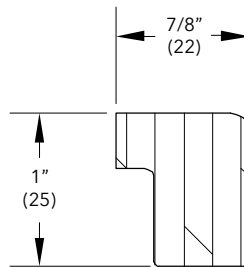
W8723, Sill Cover
Casemaster Round Top
Stationary
No longer available



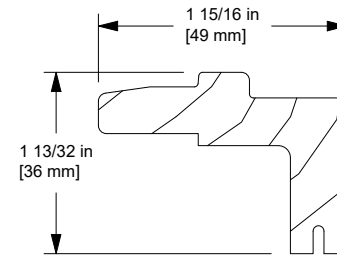
W7085, Radius Stationary Stop
Ultimate Casemaster Round Top



W12092, Glazing Stop
No longer available,
replace with W14261



W11923, Glazing Stop
No longer available,
replace with W14337

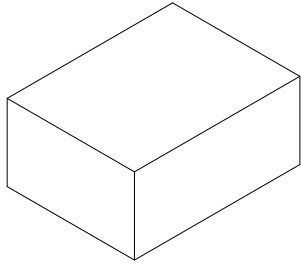


W8459, Hardware Cover
Casemaster Round Top
French Casemaster Round Top
No longer available

Stile End Foam Pad

Double Hung Round Top Families (Picture and Transom)

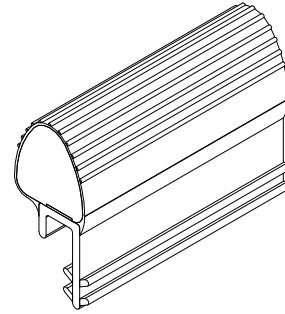
PN
15350004



Frame Weather Strip

V03291

Length	Color	PN
100" (2540)	Beige	15353205
	White	15353210

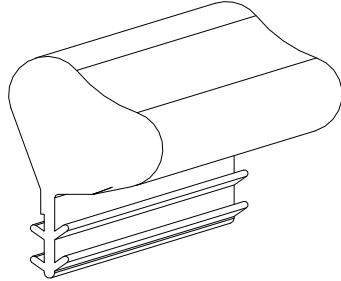


Part Stop Weather Strip

V025

Ultimate Double Hung Magnum Round Top - DISC NA 06/27/2022

Color	Length	PN
Beige	Specify Length	15350010

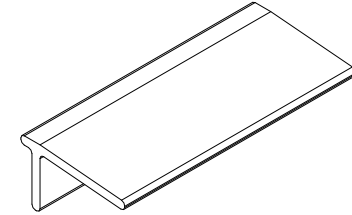


Sash Trim - Round Top

V004

Ultimate Double Hung Magnum Round Top DISC NA 6/27/2022

Length	PN
72" (1828)	15350005

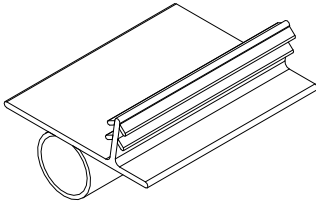


Bottom Rail or Frame Weather Strip

V937

Ultimate Double Hung Magnum Round Top DISC NA 6/27/2022

Length	PN
100" (1828)	15350799

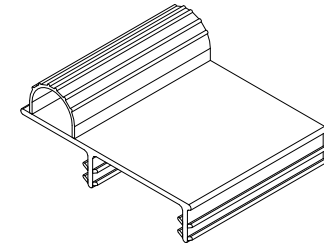


Top Check Rail Weather Strip

V920

Ultimate Double Hung Magnum Round Top DISC NA 6/27/2022

Color	PN
Beige	15352699
White	15352799

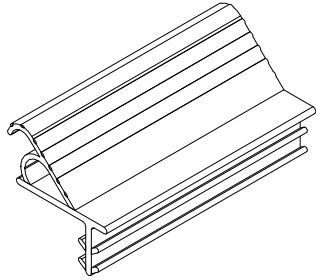


Top Sash Weather Strip - Round Top

V195

Ultimate and Ultimate Wood Casemaster Round Top DISC LA Pre 2010

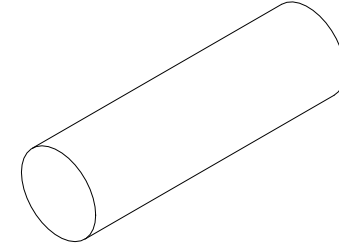
Color	Length	PN
Beige	150" (3810)	15708399

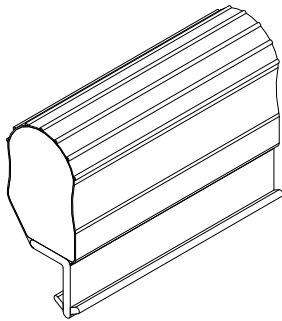


Jamb Carrier Foam Backer Rod - Round Top

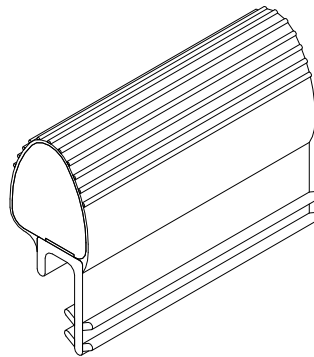
Ultimate Double Hung Round Top DISC LA 6/29/15

Length	PN
Specify length	15350008

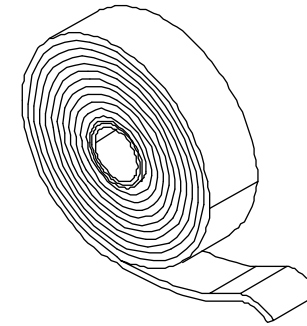




V2838
Frame Weather Strip
No longer available, replace
with V03291



V3179
Frame Weather Strip
No longer available, replace
with V03291



Frame Weather Strip, Misc 03692
(Picture/Transom)
No longer available

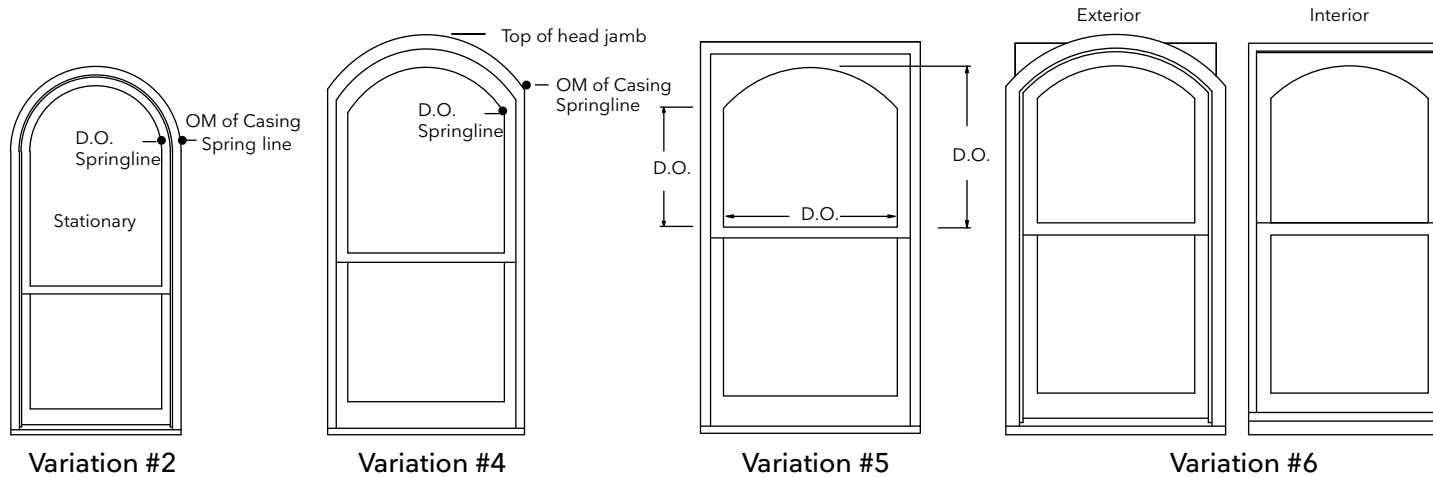
Round Top Sash, specify (all that apply):

1. Product type and sash thickness
2. Original order number or template
3. Call number and/or Polygon and Round Top shape book number
4. Variation 5 or 6 daylight opening, if applicable
5. Daylight opening shape book number (if different from variation).
6. Glazing
7. Finish
8. Interior sticking type

Polygon Sash, specify (all that apply):

1. Product type and sash thickness
2. Original order number or template
3. Call number and/or Polygon and Round Top shape book number
4. Measurements as requires in shape book.
5. Glazing
6. Finish
7. Interior sticking type

Round Top Double Hung Variations



NOTE: Variation #3 features rectangular frame and sash.

NOTE: Measurements shown are required for sash replacement for Variation #5 and Variation #6.

When ordering any of the following, specify all that applies for each component:

Round Top Screens:

1. Call number and/or original order number.
 - a. If the CN or original order number is not available a template of the screen is required.
2. Color.
3. Mesh type (if other than standard).

NOTE: The Aluminum Screen will be the standard for units with a frame size height of $\leq 54 \frac{1}{2}$ ", with an option of the Extruded Aluminum Screen available. The standard screen for any unit with a frame size height $> 54 \frac{1}{2}$ " will be the Extruded Aluminum Screen.